

INSTRUCTIONS FOR HEATED GRIPS

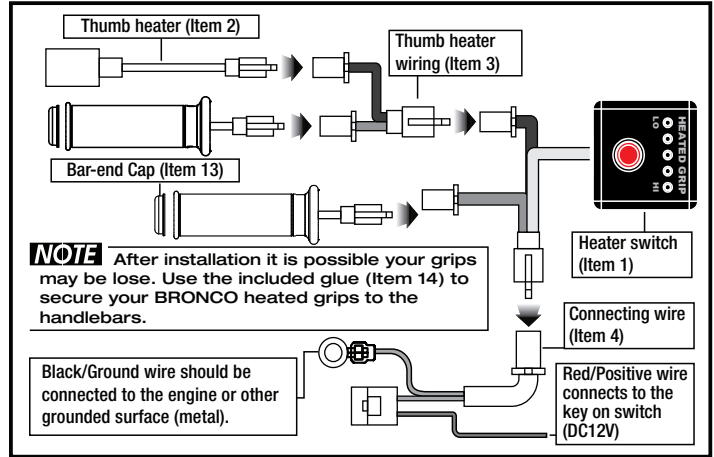
Thank you for purchasing BRONCO heated grips. Before installing, please read the instructions carefully and be sure to keep for future reference.

- For installation, please follow the steps in the order given by the instructions. Any damage caused by improper installation shall be imputed to the users.
 - Do not disassemble or change any parts unless instructed otherwise by this manual
 - We highly recommend installation and maintenance be performed by a certified mechanic
- If any of the information provided in this manual remains unclear please seek professional assistance.

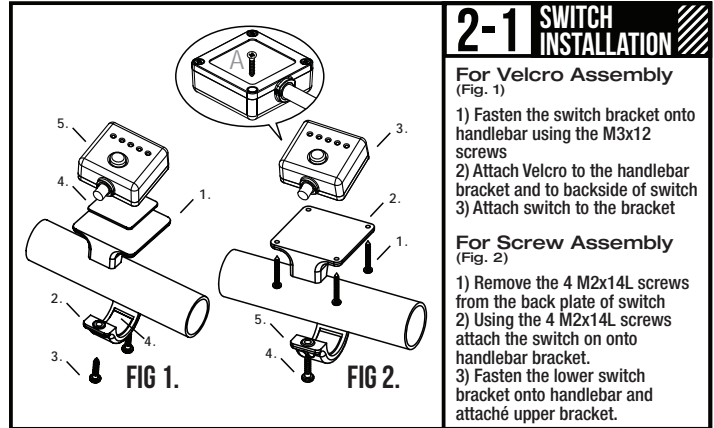
1-1 ITEM CONTENTS

1 HEATER SWITCH	2 THUMB HEATER	3 THUMB HEATER WIRING	4 CONNECTING WIRE
5 HANDLE BAR BRACKET	6 M2 X 14L SCREW X4	7 M3X 12L SCREW X2	8 VELCRO
9 HEAT SHRINK TUBE	10 HEAT SHRINK TUBE	11 ABRASIVE PAPER	12 3M DOUBLE-SIDED ADHESIVE
13 BAR-END CAP X2	14 GLUE	NOTE Please contact the local distributor if the items you open do not match with the items listed above.	

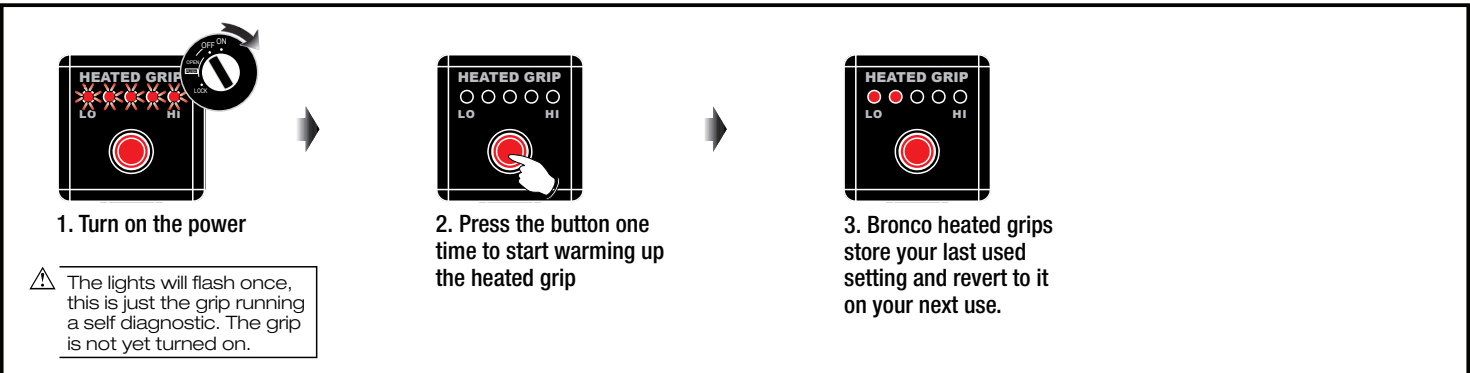
2-1 WIRING INSTALLATION



2-1 SWITCH INSTALLATION



3-1 OPERATION



3-2 CHANGING SETTINGS

