

GO RHINO[®] 

2018



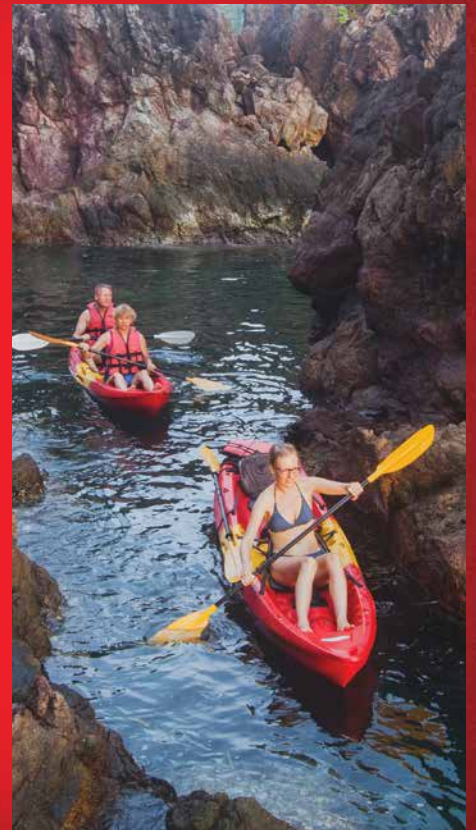
FIT. FUNCTION. STYLE.



FIT. FUNCTION. STYLE

There's nothing more versatile than a truck or Jeep® – on or off road. Transforming a stock ride into a dream machine is more than just a matter of personal style. We enhance fit, function and style from front-to-back and everywhere in between. When it comes to unique product options, easy access and utility on the job, Go Rhino's selection fits everything from every day to extreme off-road use.

It all began back in 1975, bending metal with a fabricator's skill and an engineer's eye for design. We've delivered the hardest working, best fitting accessories and integrated systems to the vehicle aftermarket ever since. We understand how people feel about their vehicles, because we're owners too.



GO RHINO®

It comes down to three things we strive to get right every single time.

FIT.

Designed specifically to fit the contours of each vehicle.

FUNCTION.

Functional, user-friendly design that meets the distinctive needs of every vehicle owner. Customize for maximum utility and appeal on the street, for added safety or wear and tear on the job.

STYLE.

Stand out with contemporary engineering and styling that doesn't roll off the showroom floor and enhances the look and utility of any truck or Jeep®.

The possibilities are endless with Integrated Vehicle Systems from Go Rhino.

SO GO AHEAD. GO THE DISTANCE WITH GO RHINO.

BECOME A GO RHINO ELITE DEALER TODAY

Why Go Rhino?

For 40 years, consumers have selected Go Rhino for market-driven product design that extends the style and functionality of their vehicles. Consumers continue to choose Go Rhino because of our reputation for developing innovative products, responsive customer service, warranty support, quality manufacturing, and trusted marketing.

Why be a Go Rhino Elite Dealer?

The Go Rhino Elite Dealer program is a working partnership that provides Dealer support to enhance the retail showroom experience. The program is designed to aid and help dealers sell more products by providing tools, displays, sales support and more. By building a strong partnership with Go Rhino, informed dealers will be equipped to engage with consumers and assist them in making informed and satisfying buying decisions.

1. Go Rhino Displays

Go Rhino Elite Dealers are eligible to participate in the Go Rhino showroom display program including product, counter top, free standing, grid wall displays and other large display signage.

2. Authorized Reseller Kit

Go Rhino Elite Dealers receive an Authorized Reseller Merchandising kit to enhance the retail showroom experience with banners, stickers, brochures, counter mat, posters, window clings, pop-up displays and MORE.

3. Merchandising and Marketing Assets

Merchandising and Marketing Assets is intended to increase consumer awareness on Go Rhino products including digital assets, posters, literature, banners, clothing and more.

4. Promotions and Incentives

Go Rhino Promotions and Incentives are designed to enhance retail sales conversion with contests, promotions, rebates and incentives.

5. Field Support

Support from dedicated field representatives to assist with store merchandising, product education, training and sales incentives. This program consists of "Boots on the Ground" support, dealer visits, truck tours, Blitz events, in-store training and support for dealers.

6. Education and Training

Go Rhino Live is a state of the art product education platform for dealers. This program consists of online LIVE interactive education events customized to meet the dealer needs and schedules.



6-17 . . . VEHICLE SHOWCASES
18-29 . . . BUMPER REPLACEMENTS
30-37 . . . FRONT END PROTECTION
38-43 . . . ROOF RACKS
42 . . . SRM RACK LIGHT PLATES
44-51 . . . BED ACCESSORIES
52-69 . . . SIDE STEPS
70 . . . EXHAUST TIPS
71-73 . . . HITCH STEPS
74-77 . . . JEEP® TOTAL SOLUTIONS
78-85 . . . JEEP® BUMPER REPLACEMENTS
 LIGHTING SYSTEM
86-87 . . . JEEP® RUNNING BOARDS / HITCH STEPS
 SIDE STEPS

88 . . . JEEP® WINDSHIELD LIGHT FRAME
89-91 . . . JEEP® FENDERS
92-93 . . . JEEP® LIFT ASSIST TIRE CARRIER
94-95 . . . JEEP® OVERLAND RACK KITS
96 . . . APPLICATION GUIDES



CHEVY/GMC SHOWCASE



- ◊ **WINCH GUARD with BRUSH GUARDS**
(Winch and fairlead not included)
Black Powder Coat
Part No. 23174MB
- ◊ **5" 1000 SERIES Textured Black**
Part No. 105404687T

- ◊ **WRANGLER GUARD**
Black Powder Coat
Part No. 13174B
- ◊ **6" OE XTREME Textured Black**
Part No. 686404687T
- ◊ **SRM 100 RACK**
Part No. 5916000T
- ◊ **MULTI-AXIS MOUNTING KIT**
Part No. 5910000T





- ⬡ **RC2 LR 4 LIGHT**
(Lights not included)
Part No. 55284T
- ⬡ **SPORT BAR 2.0**
(Lights not included)
Textured Black, Power-Actuated
Part No. 911600T
- ⬡ **RB20 RUNNING BOARDS**
Protective Bedliner Coating
Part No. 69404787T



-
- ⬡ **3000 SERIES STEP GUARD**
Chrome with Brush Guards
Part No. 3174MC
 - ⬡ **6" OE XTREME II**
Polished Stainless
Part No. 6862404687PS



FORD F-SERIES SHOWCASE



⬡ **RC2 LR 4 LIGHT**
(Lights not included)
Part No. 55884T

⬡ **5" 1000 SERIES
Textured Black**
Part No. 105415587T

⬡ **SPORT BAR 2.0**
(Lights not included)
**Textured Black,
Power-Actuated**
Part No. 911600T

⬡ **RC2 LR 20" LIGHT BAR**
(Lights not included)
Part No. 55881T

⬡ **4" 1000 SERIES
Textured Black**
Part No. 104415587T





- ⬠ **BR5 BUMPER REPLACEMENT with LIGHT MOUNT BAR**
 Part Nos. 24295T, 26373T
- ⬠ **BR20 BUMPER REPLACEMENT**
 Part Nos. 28295T
- ⬠ **RB10 RUNNING BOARDS with DROP STEPS**
Protective Bedliner Coating
 Part No. 6341558720T
- ⬠ **SPORT BAR 2.0**
(Lights not included)
Textured Black, Power-Actuated
 Part No. 911600T



- ⬠ **WINCH GUARD**
(Winch and fairlead not included)
Black Powder Coat
 Part No. 23395B
- ⬠ **DOMINATOR D3 ONE-PIECE**
Textured Black, Short Bed
 Part No. D362551T

- ⬠ **SRM 100 RACK**
 Part No. 5916000T
- ⬠ **MULTI-AXIS MOUNTING KIT**
 Part No. 5910000T

RAM SHOWCASE



- ◊ **WINCH GUARD**
(Winch and fairlead
not included)
Black Powder Coat
Part No. 23218MB
- ◊ **5" 1000 SERIES**
Textured Black
Part No. 105439987T

- ◊ **SRM 100 RACK**
Part No. 5916000T
- ◊ **MULTI-AXIS**
MOUNTING KIT
Part No. 5910000T

- ◊ **WRANGLER GUARD**
Black Powder Coat
Part No. 13218B
- ◊ **DOMINATOR D2**
Textured Black
Part No. D24205T
- ◊ **LED BED RAILS**
Textured Black
Part No. 8128TL





⬡ **RC2 LR 4 LIGHT**
(Lights not included)
 Part No. 55644T

⬡ **5" OE XTREME COMPOSITE Black**
 Part No. 685439987CB

⬡ **LED BED RAILS Textured Black**
 Part No. 8128TL

⬡ **SRM 200 RACK**
 Part No. 5926000T

⬡ **MULTI-AXIS MOUNTING KIT**
 Part No. 5910000T



⬡ **BR5 BUMPER REPLACEMENT with LIGHT MOUNT BAR and LIGHT PLATES**
(Lights not included)
 Part Nos. 24128T, 26273T, 241731T

⬡ **BR20 BUMPER REPLACEMENT**
 Part Nos. 28128T

⬡ **RB10 RUNNING BOARDS Protective Bedliner Coating**
 Part No. 63420687T

⬡ **SPORT BAR 2.0**
(Lights not included)
Textured Black
 Part No. 916000T



TOYOTA TACOMA SHOWCASE



- ◊ **SRM 200 RACK**
Part No. 5926000T
- ◊ **MULTI-AXIS MOUNTING KIT**
Part No. 5910000T
- ◊ **DOMINATOR D6 RUNNING BOARDS Textured Black**
Part No. D64429T
- ◊ **DOMINATOR D6 DROP STEP Textured Black**
Part No. D6410000T
- ◊ **RC3 LR SKID PLATE Textured Black**
Part No. 55543T

- ◊ **RC2 LR 2 LIGHT**
Part No. 5554211T
- ◊ **RB10 RUNNING BOARDS with DROP STEPS Protective Bedliner Coating**
Part No. 6344298720T
- ◊ **SPORT BAR 2.0**
(Lights not included)
Textured Black, Power-Actuated
Part No. 915600T





- ◊ **RC2 LR
20" LIGHT BAR**
(Lights not included)
Part No. 55541T
- ◊ **DOMINATOR D2
Textured Black**
Part No. D24429T
- ◊ **SPORT BAR 2.0**
(Lights not included)
**Textured Black,
Power-Actuated**
Part No. 915600T

- ◊ **RC2 LR 4 LIGHT**
(Lights not included)
Part No. 55544T
- ◊ **6" OE XTREME**
Textured Black
Part No. 686442987T



JEEP WRANGLER SHOWCASE

- ◇ **BRJ40 FRONT BUMPER**
Part No. 23100T
- ◇ **STRAIGHT END CAPS**
Part No. 23115T*
- ◇ **ROADLINE™ PATENTED
LIGHT MOUNT BAR**
Part No. 25102T*
(US Patent #D757,316)
- ◇ **30" LIGHT BAR AND
FOUR 3" CUBES
WLF WINDSHIELD
LIGHT FRAME**
Part No. 731323T*
- ◇ **RB10 RUNNING
BOARDS WITH
DROP STEPS**
**Protective Bedliner
Coating**
Part No. 6345056820T
- ◇ **BRJ80 REAR BUMPER
WITH STRAIGHT END CAPS**
Part No. 27115T
**Lights not included*



- ◇ **BRJ40 FRONT BUMPER**
Part No. 23100T
- ◇ **FAIRLEAD
MOUNTING PLATE**
Part No. 23200T*
- ◇ **STUBBY END CAPS**
Part No. 23110T
- ◇ **TRAILLINE® PATENTED
LIGHT MOUNT BAR**
Part No. 25103T*
(US Patent #D757,316)
- ◇ **40" LIGHT BAR AND
TWO 3" CUBES WLF
WINDSHIELD LIGHT
FRAME**
Part No. 731423T*
- ◇ **DOMINATOR D2
SIDE STEPS**
Part No. D24505T
- ◇ **BRJ80 REAR BUMPER
WITH STUBBY END CAPS**
Part No. 27110T
**Lights not included*



◇ **BRJ40 FRONT BUMPER**

Part No. 23100T

◇ **FULL END CAPS**

Part No. 23120T*

◇ **ROCKLINE® PATENTED
LIGHT MOUNT BAR**

Part No. 25101T*
(US Patent # D757,316)

◇ **EIGHT 3" CUBES
WLF WINDSHIELD
LIGHT FRAME**

Part No. 738300T*

◇ **RB10 RUNNING
BOARDS WITH
DROP STEPS**

Protective Bedliner Coating
Part No. 6345056820T

◇ **BRJ80 REAR BUMPER
WITH FULL END CAPS**

Part No. 27120T

**Lights not included*



◇ **BRJ40 FRONT BUMPER**

Part No. 23100T

◇ **FAIRLEAD MOUNTING PLATE
PART NO. 23200T**

◇ **STUBBY END CAPS**

Part No. 23110T*

◇ **TRAILLINE® PATENTED
LIGHT MOUNT BAR**

Part No. 25103T*
(US Patent # D757,316)

◇ **50" LIGHT BAR WLF
WINDSHIELD LIGHT FRAME**

Part No. 731500T*

◇ **RB10 RUNNING BOARDS
Protective Bedliner Coating**

Part No. 63450568T

◇ **BRJ80 REAR BUMPER
WITH STUBBY END CAPS**

Part No. 27110T

**Lights not included*



INTERNATIONAL VEHICLE SHOWCASE



2017 TOYOTA HILUX

- ◇ **SPORT BAR 2.0**
Textured Black
Part No. 915105T
- ◇ **DOMINATOR D2 SIDE STEPS**
Textured Black
Part No. D24431T
- ◇ **BR5 BUMPER REPLACEMENT**
*Lights not included,
winch and fairlead not
included*
Part No. 24383T, 26473T

2018 MITSUBISHI L200

- ◇ **RC2 LR-4 BULL BAR**
Textured Black
Lights not included
Part No. 553991LT
- ◇ **RB10 RUNNING BOARDS**
Protective
bedliner
coating
Part No.
63039980T





2017 NISSAN NP300

- ◊ **SPORT BAR 2.0**
Textured Black
Part No. 915105T
- ◊ **RC2 LR-4 BULL BAR**
Textured Black
(Lights not included)
Part No. 553564LT
- ◊ **4" OE XTREME**
Polished Stainless
Part No. 104035680PS
- ◊ **SR10 RACK**
Textured Black
(Mounting bracket
and crossbars not
included) Part No. 59015T



2017 FORD RANGER

- ◊ **EUROGUARD**
Semi-gloss Black
Part No. 505375
- ◊ **5" OE XTREME**
Composite Black
Part No. 685036880CB
- ◊ **SR10 RACK**
Textured Black
(Mounting bracket
and crossbars not
included)
Part No. 59015T
- ◊ **SPORT BAR 2.0**
Textured Black

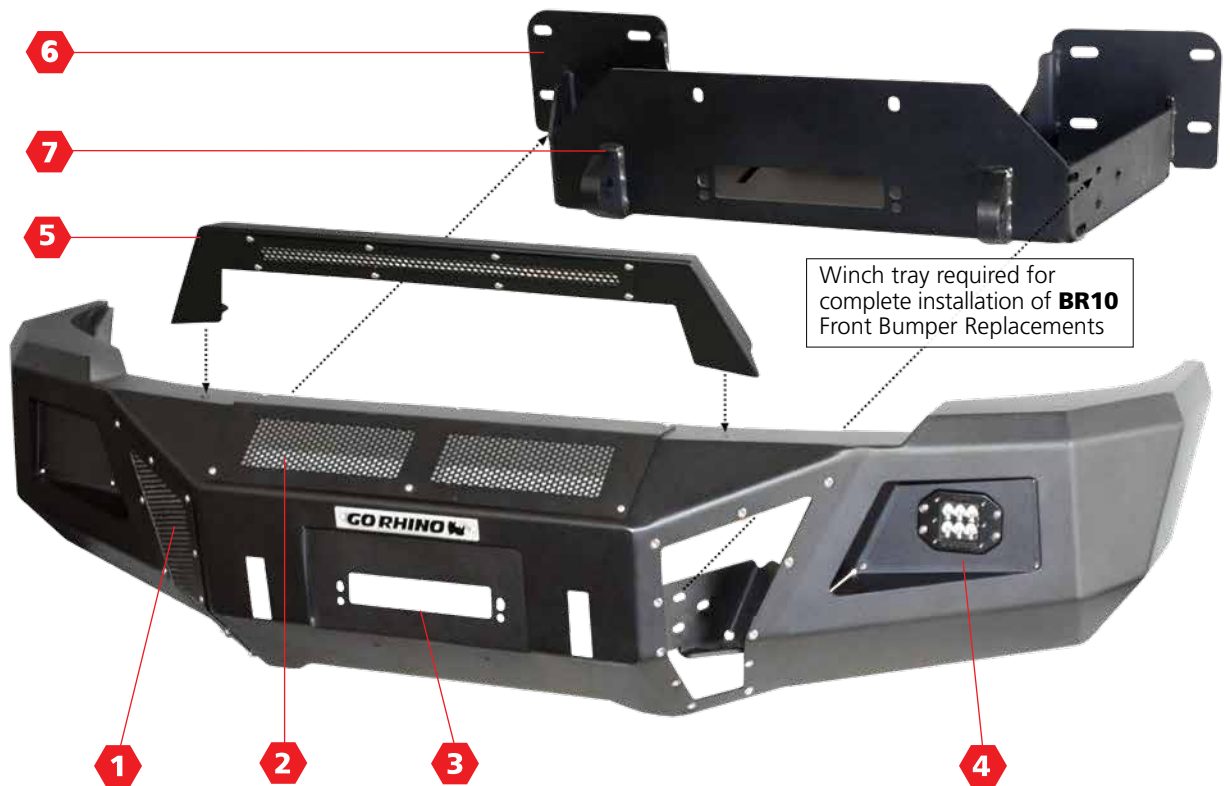


BR SERIES BUMPER REPLACEMENTS

When you want the ultimate bumpers for your truck, you want the Go Rhino Bumper Replacements. Go Rhino Bumper Replacements constructed from strong high-strength alloy steel and are designed in 3D utilizing digitized data to form fit the contours of each vehicle.

FEATURES:

- 1 Framed mesh vent covers allow air to flow through the bumper and hide brackets.
- 2 Functional, removable steel mesh cover allows easy access to the winch.
- 3 Multiple license plate mounting locations available with included bracket.
- 4 Optional light plates allow installation of flush mount LED lights.
- 5 Optional add-on patented Light Mount Bar allows installation of LED lights. (US Patent # D757,316)
- 6 Bumper winch tray mount makes installation an easy two-step process.
- 7 1" Steel shackle mount welded directly to the ¼" thick steel winch tray.





BR5

half -ton trucks



BR5.5

half -ton trucks



BR20



BR10

3/4 or 1 ton trucks



BR10.5

3/4 or 1 ton trucks



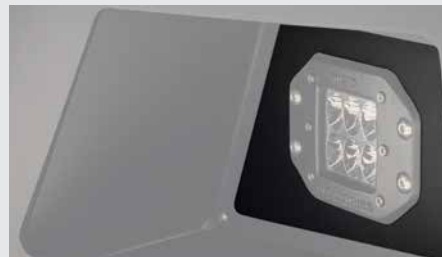
BR SERIES BUMPER REPLACEMENT ACCESSORIES



LIGHT MOUNT BAR

(US Patent # D757,316)

- Optional accessory for front bumper replacement
- Allows installation of LED lights on the bar, below the bar or inside the bar behind the removable mesh screen



BUMPER LIGHT PLATES

- Optional accessory for BR Front Bumper or BR20 Rear Bumper
- Pair of easy, bolt-on, punched light plates replace blank plates
- Allows installation of lights
- License plate mounting bracket included



THUMB SCREW KIT

- Optional accessory for BR5 & BR10 Bumper Replacement
- Customize the look of the BR Front Bumper Replacement
- Allows quick and easy removal of the top mesh winch access cover without tools

NEW BR5.5 BUMPER REPLACEMENT FOR HALF-TON TRUCKS



BR5.5 Winch-ready Front Bumper Replacements for half-ton trucks feature a steel two-piece design that holds winches rated up to 12,500 pounds. Features a hinged winch cover to be used with or without a winch. Includes integrated hidden front 2" receiver hitch mount.





FEATURES:

- ◊ BR5.5 Front Bumper Replacement and Winch Tray ship as one part number in one box
- ◊ Convenient and easy two piece installation
- ◊ Winch Tray accommodates most winches up to a 12,500 pound capacity
- ◊ Dynamic hinged steel mesh cover allows easy access to the winch
- ◊ Front facing 2" Receiver with removable steel cover with adjusting knob mounts with included hitch pin and cotter pin
- ◊ Patented Heavy-Duty Rhino Horn Tow Hook and Shackle mount (US Patent # D790,408)
- ◊ Optional patented Light Mount Bar allows installation of LED Light Bars or other lights (US Patent # D 757,316)
- ◊ Optional Light Plates allow for installation of popular styles and sizes of LED in bumper
- ◊ Framed mesh vent covers allow air to flow through the bumper
- ◊ Bumper can be mounted without a winch, if desired
- ◊ License plate mounting bracket included
- ◊ Available in Textured black powder coat finish (5-year limited warranty)

* May alter sensor proximity function



BR5 BUMPER REPLACEMENTS FOR HALF-TON TRUCKS



Shown with optional with optional light plates and lights

Go Rhino BR5 Winch-ready Front Bumper Replacement for half-ton trucks features a welded steel two-piece design that holds winches rated up to 12,500 pounds. This unique design accommodates factory proximity sensors and features integrated light plates (sold separately).





FEATURES:

- ◊ BR5 Front Bumper Replacement and winch tray ship as one part number (BR5 only)
- ◊ Winch tray accommodates most winches up to a 12,500 pound capacity
- ◊ Patented Heavy-Duty Rhino Horn Tow Hook and Shackle mount (US Patent # D790,408)
- ◊ May alter sensor proximity function
- ◊ Convenient and easy two piece installation
- ◊ Optional patented light mount bar allows installation of LED and other lights (US Patent # D757,316)
- ◊ Optional patented light plates allow for installation of popular styles and sizes of LED lights
- ◊ Framed mesh vent covers allow air to flow through the bumper and hide brackets
- ◊ Functional, removable steel mesh cover allows easy access to the winch
- ◊ Bumper can be mounted without a winch, if desired
- ◊ License plate mounting bracket included
- ◊ Available in Textured black powder coat finish (5-year limited warranty)



NEW BR10.5 BUMPER REPLACEMENT FOR 3/4 OR 1 TON TRUCKS



BR10.5 Winch-ready Front Bumper Replacements for 3/4 or 1 ton trucks feature a steel two-piece design that holds winches rated up to 16,500 pounds. Features a hinged winch cover to be used with or without a winch. Includes integrated hidden front 2" receiver hitch mount.



Built-in 2" Receiver



Hinged winch cover



FEATURES:

- BR10.5 Front Bumper Replacement and Winch Tray ship as one part number in one box
- Convenient and easy two piece installation
- Winch Tray accommodates most winches up to a 16,500 pound capacity
- Dynamic hinged steel mesh cover allows easy access to the winch
- Front facing 2" Receiver with removable steel cover with adjusting knob mounts with included hitch pin and cotter pin
- Patented Heavy-Duty Rhino Horn Tow Hook and Shackle mount (US Patent # D790,408)
- Optional patented Light Mount Bar allows installation of LED Light Bars or other lights (US Patent # D 757,316)
- Optional Light Plates allow for installation of popular styles and sizes of LED lights in bumper
- Framed mesh vent covers allow air to flow through the bumper
- Bumper can be mounted without a winch, if desired
- License plate mounting bracket included
- Available in Textured black powder coat finish (5-year limited warranty)



BR10 BUMPER REPLACEMENTS FOR 3/4 OR 1 TON TRUCKS



Go Rhino BR10 Winch-ready Front Bumper Replacements for 3/4 or 1 ton trucks are designed to form fit the contours of each vehicle. Versatile BR10 bumpers allow for customization with patented LED light mount bar, winch, and light plate options.



Optional light
mount bar & lights

Shown with
optional light
plates & lights

Winch & fairlead not included



FEATURES:

- BR10 Front Bumper Replacement and Winch Tray now ship as one part number in one box
- Winch tray accommodates most winches up to a 16,500 pound capacity
- Patented Heavy-Duty Tow Hook and Shackle mount (US Patent #D790, 408)
- Convenient and easy two piece installation
- Optional patented light bar allows installation of LED and other lights (US Patent # D757,316)
- Optional patented light plates allow installation of popular styles and sizes of LED lights
- Framed mesh vent covers allow air to flow through the bumper and hide brackets
- Functional, removable steel mesh cover allows easy access to the winch
- Bumper can be mounted without a winch, if desired
- License plate mounting bracket included
- Available in Textured black powder coat finish (5-year limited warranty)



BR20 REAR BUMPER REPLACEMENTS



The perfect complement to the BR Series Front Bumper Replacement, the BR20 Rear Bumper Replacement is available for mid-size and full-size trucks. Optional light plates allow installation of popular styles and sizes of LED flush-mount lights.



Provisions for factory trailer light plug and park assist sensors

Built-in steps



Features:

- ◊ Integrated corner steps for more stepping points to access the bed
- ◊ 1" thick steel shackle mount welded to each of the ¼" steel mounting brackets
- ◊ Provisions for factory trailer light plug
- ◊ Includes two LED lights to light up the rear license plate
- ◊ Access point for the spare tire winch
- ◊ Provisions for factory rear park assist sensors
- ◊ Optional light plates allow installation of flush mount LED lights
- ◊ Available in Textured black powder coat finish (5-year limited warranty)



TForce® is a registered trademark of Gulf States Toyota, Inc.

FRONT END PROTECTION

Go Rhino is the market leader in front end protection for trucks and SUVs. Grille guards offer added protection. Heavy-duty construction and vehicle-specific design fits vehicle contours for easy personalization. A wide variety of products are available to fit any need.



Wrangler Guard

Tough, heavy-duty one-piece grille guard with Step



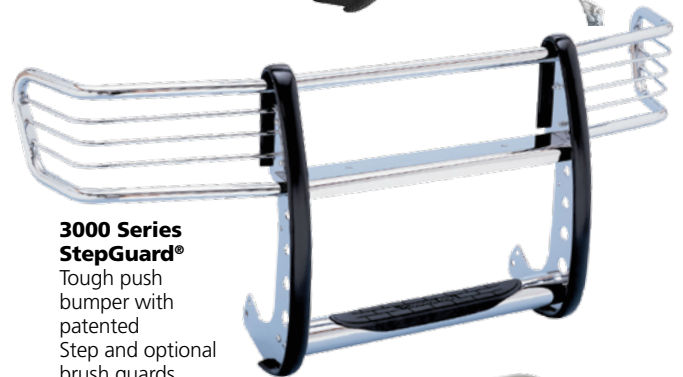
Winch Guard

Winch-ready push bumper with optional brush guards. Winch sold separately



3000 Series StepGuard®

Tough push bumper with patented Step and optional brush guards



RC2/RC2 LR

Stylish Bull Bar with multiple light mounting points



XE50

(Patent Pending)
Great place to mount lights



RC3 LR

(Patent Pending)
Skid plate featuring a built-in step and light mount



WINCH GUARD



Go Rhino winch guards, an industry-first design built to accept virtually any winch brand, offers construction and styling to enhance most HD and half ton trucks.

Features:

- ◊ Built-in winch tray accommodates most winch brands
- ◊ Available with winch capacity up to 9,500 lbs
- ◊ Available with or without brush guards
- ◊ Style meets function with Euroguard looks and proven performance
- ◊ No-drill installation on most applications with heavy duty mounting hardware included
- ◊ Pre-drilled holes provided to mount two auxiliary lights or LED light bar
- ◊ 5-year limited warranty for black powder coat finish

Note: Not compatible with front bumper proximity sensors



Heavy-duty winch guard shown

WRANGLER GUARD

Go Rhino Wrangler guards offer heavy-duty construction for maximum protection.

Features:

- ◊ One-piece, heavy-duty steel construction (Must ship truck freight)
- ◊ Center screen protects the vehicle grille
- ◊ No-drill installation with heavy duty mounting hardware included
- ◊ Patented built-in, bumper-level step provides easy access to engine compartment (US Patent # 6,612,595)
- ◊ 5-year limited warranty for black powder coat finish

Note: Not compatible with front bumper proximity sensors



3000 SERIES STEP GUARD®



Grill guards offer added protection, heavy duty construction and vehicle-specific design that fits vehicle contours for easy personalization.

Features:

- ◊ Patented built-in step provides easy access to the engine compartment (US Patent #6,612,595)
- ◊ Three-piece, heavy-duty, modular steel construction (Will ship via parcel delivery)
- ◊ Available with or without brush guards
- ◊ No-drill installation on most applications with heavy duty mounting hardware included
- ◊ Pre-drilled holes provided to mount two auxiliary lights
- ◊ Available in two finishes: semi-gloss black powder coat (5-year limited warranty) or chrome plated finish (Limited lifetime warranty)

Note: Not compatible with front bumper proximity sensors



NEW RC2 LR BULL BAR

Go Rhino RC2 LR Bull Bars offer updated styling and features that combine easy ways to add today's popular LED lights with front-end protection. Our textured black powder coat finish and Go Rhino hex pattern skid plate enhance vehicle styling with integrated openings and easy light mounting.

Features:

- Three different skid plate designs allow installation of various lighting options
- LED lights, two cube lights, four cube lights and double stack LED 20" light bar
- Center skid plate is pre-drilled for additional lighting
- 3" Diameter tubular steel frame
- Galvanized steel skid plate incorporates new hexagonal pattern
- No drilling required
- Match center or bottom mount bull bars with vehicle-specific mounting kits for maximum market coverage and minimum inventory
- Complete kits that include lighting, brackets, and Bull Bar are available
- 5-year limited warranty for textured black powder coat finish
- Available with or without lights

Note: Not compatible with front bumper proximity sensors



20" Light Bar



Two 3" Cube Lights



Four 3" Cube Lights



NEW RC2 BULL BAR



The Go Rhino RC2 Bull Bar provides heavy-duty, front-end protection for full size, mid-size trucks, and SUVs. It's designed for quick and easy no-drill installation and with the pre-punched mounting points, RC2s are the ideal platform for auxiliary lights. Available in the Classic RC2 design with the "shark-tooth" pattern skid plate and (2) mounting tabs or the NEW RC2 design with a modern "hex pattern" skid plate with multiple mounting points for today's LED options.

Features:

- ◊ Reinforced pre-punched mounting points accommodate almost any light combination
- ◊ Available in two finishes: textured black powder coat (5-year limited warranty) or polished stainless finish (Limited lifetime warranty)
- ◊ Match center or bottom mount bull bars with vehicle specific mounting kits for maximum market coverage and minimum inventory
- ◊ Complete kits that include brackets and bull bar are available

Note: Not compatible with front bumper proximity sensors





Part No: 55361T (center mount)
Part No: 55366T (bottom mount)



Part No: 55361PS (center mount)
Part No: 55366PS (bottom mount)



Part No: 55301T (center mount)
Part No: 55306T (bottom mount)



Part No: 55301PS (center mount)
Part No: 55306PS (bottom mount)

NEW DESIGN



NEW: Now available, the Go Rhino RC2 Bull Bars with a redesigned galvanized formed skid plate with multiple pre-cut slots for many LED configurations of their bars or cubes.

CLASSIC DESIGN



The Classic RC2 Bull Bars has the original stainless steel skid plate and a center bar with the 10 degree bends to allow large HID or Halogen type lights or LED. The two mounting tabs allow for installation of lights up to 6" in diameter.



NEW RC3 LR SKID PLATE



The (Patent Pending) RC3 LR is the newest evolution in front end vehicle protection. This unique combination of skid plate, rock and splash guard, non-slip patented step and recessed light mount provides excellent front-end protection.

Features:

- Constructed of 2" high strength alloy steel and bolt-on polymer skid plate
- RC3 LR will not interfere with OEM bumper mounted front facing sensors
- Replaceable polymer skid plate for an additional layer of protection from road debris
- Applications available for most vehicles
- Zinc plated for superior corrosion protection
- Available with or without 20" single row LED bar
- Integrated galvanized steel patented front access step (US Patent # 6,612,595)
- Textured black powder coat finish with a 5-year limited warranty
- Light ready mount for optional 20" LED single row light bar (not included)

Wide, secure stepping area



Mounting point for 20" single row light bar

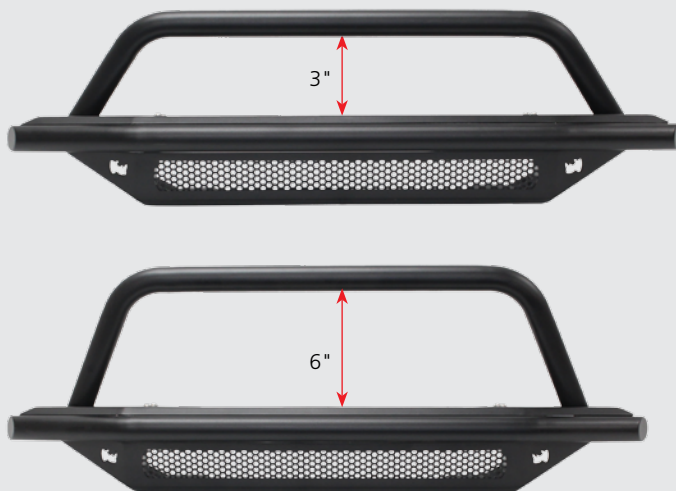
NEW XE50 SERIES LIGHT MOUNT BAR



Go Rhino offers new ways to light up the trails with new products to mount lighting options. Go Rhino's XE50 LR patent pending innovative design is built with mounting capabilities for LED light bars and/or multiple combinations of LED lights for the front of the vehicle. The XE50 LR features galvanized steel construction with black texture powder coat finish and a 5-year limited warranty.

Features:

- ◊ Detachable mesh plate to allow 20" single row LED light bar
- ◊ Detachable override bar and lower light box
- ◊ Override bar styles to accommodate up to 3" and up to 4" light options
- ◊ Allows for mounting of multiple lighting options
- ◊ Modular construction allows for maximum customization
- ◊ Galvanized steel construction
- ◊ Textured black powder coat finish with a 5-year limited warranty



ROOF RACKS

Go Rhino's versatile line of roof racks add storage space to accommodate cargo of all shapes and sizes. Select from our SRM or SR Rack series that provide added space in the truck or SUV for hauling cargo and a wide variety of lighting options to light the way.

SRM RACKS

FEATURES:

- Available in 48", 60", and 72" (SRM100 Only) options with classic straight design or modern angular design
- Multiple interchangeable front, rear, and side light plates for customization of light configurations (sold separately)

Note: Modular construction allows for parcel delivery



SR RACKS

FEATURES:

- Fully welded tubular steel frame installs over factory or aftermarket cross bars
- Front fairing included for improved aerodynamics
- Available sizes: 48" and 60"



Note: Ships fully assembled. SR40 shown



SRM100



SRM200



SR10



SR10



SR20



SR40



Every Go Rhino Roof Rack includes U-Bolt mounting system to mount racks onto cross bars. (Cross bars not included) (SR Rack version shown)

SRM100 ROOF RACK



Crossbars & brackets shown not included

Go Rhino's SRM100 Series modular roof racks allows a whole new level of customization with optional light plates for virtually any vehicle. Both the front and rear face plates are replaceable with optional lighting arrays as well as optional side mounts for cube lights, making the possibilities virtually endless.

FEATURES:

- ◊ Available in 48", 60", and 72" options with classic straight design
- ◊ Multiple interchangeable front, rear, and side light plates for customization of light configurations (sold separately)
- ◊ Rugged textured black powder coat over galvanized steel finish
- ◊ Standard U-bolt mounting hardware included
- ◊ Stainless steel hardware
- ◊ Optional mounting kits available
- ◊ Textured black powder coat finish with a 5-year limited warranty

Note: Modular construction allows for parcel delivery

50" Light Bar Mounting Brackets

Front - 5925001T
Rear - 5925002T
(sold separately)

Part No. 5914800t - **48" Rack**
Part No. 5916000t - **60" Rack**
Part No. 5917200t - **72" Rack**



Signature Go Rhino hexagonal mesh panel included

Side stability handle

Four Side Plate Set for 3" cube lights

Part No. 5943003T
(sold separately)

SRM200 ROOF RACK



Go Rhino's exclusive, SRM200 Series modular roof racks mix real utility with rugged off-road styling and optional lighting arrays. Choose from different accessory light mounting plates (sold separately), allowing for multiple light mounting options on the front, side, and rear.

FEATURES:

- Available in 48" and 60" options with angular design
- Multiple interchangeable front, rear, and side light plates for customization of light configurations (sold separately)
- Rugged textured black powder coat over galvanized steel finish
- Standard U-bolt mounting hardware included
- Stainless steel hardware
- Optional mounting kits available (multi-axis shown above)
- Textured black powder coat finish with a 5-year limited warranty

Note: Modular construction allows for parcel delivery

Part No. 5914800T - **48" Rack**
Part No. 5916000T - **60" Rack**



Signature Go Rhino
hexagonal mesh panel

**Four Side Plate Set
for 3" cube lights**
Part No. 5943006T
(sold separately)

FRONT AND REAR LIGHT MOUNT PLATES



Shown with Six 6" Q-Style light plates Part numbers 5967001T & 5967002T shown (Light plates and lights sold separately)

SRM100 LIGHT MOUNT PLATES



Six 6" Q-Style Lights Front 5967001T | Rear - 5967002T



40" Light Bar Front - 5914001T | Rear - 5914002T



20" Light Bar & Two 3" Cubes
Front - 5912231T | Rear - 5912232T



Two 3" Cubes Front - 5923001T | Rear - 5923002T



Four 3" Cubes Front - 5943001T | Rear - 5943002T



Six 3" Cubes Front - 5963001T | Rear - 5963002T

SRM200 LIGHT MOUNT PLATES



30" Light Bar Front - 5913004T | Rear - 5913005T



20" Light Bar & Two 3" Cubes 30" Light Bar
Front - 5913004T | Rear - 5913005T



Two 3" Cubes Front - 5923004T | Rear - 5923005T



Four 3" Cubes Front - 5943004T | Rear - 5943005T



Six 3" Cubes Front - 5963004T | Rear - 5963005T

SRM RACK MOUNTING KITS

SRM Series Roof Rack Mounting Kits provide flexibility for mounting racks without the need for cross bars.

SRM Fixed Mounting Kit

Part number 5910001T

Features:

- Formed steel construction
- Black textured powder coat
- 5-year limited warranty
- Drilling required



SRM Multi-Axis Mounting Kit

Part number 5910000T

Features:

- Patent pending, secure, self-sealing mounting system
- Formed steel construction
- Black textured powder coat
- 5-year limited warranty
- Drilling required



SR RACKS



Go Rhino SR Series roof racks will travel with you on any long road trip or carry equipment on any off-road adventure. SR Series racks set a standard, featuring a textured black powder coat finish with a welded steel frame and front fairing for improved aerodynamics. Choose from non-lighted or light ready options.

FEATURES:

- ◊ Fully welded tubular steel frame installs over factory or aftermarket cross bars
- ◊ Front fairing included for improved aerodynamics
- ◊ Available sizes: 48" and 60"
- ◊ SR20/SR40 light ready available in textured black powder coat frame, fairing and side plates
- ◊ SR10 non-lighted available in black textured frame with brush stainless fairing and side plates
- ◊ Light ready roof rack in two light and four light configurations
- ◊ Complete kits with lighting available
- ◊ Textured black powder coat finish with a 5-year limited warranty

Note: Ships fully assembled

SR20

Provides mounting for two LED lights
(Available with or without lights)



SR10



SR10 features four light tabs for easy light installation

SR10 offered with black or brushed stainless fairings



BED ACCESSORIES

Dress up the bed of the truck with a variety of products that not only add a bit of style, but functionality with options for adding additional lighting to the vehicle.



BED BARS Retro style bars offer a great place to install lights



SPORT BAR 2.0 A modern look for the sport bar featuring a powered actuator to raise and lower lights



SPORT BAR 3.0 Looks of the classic Sport Bar with the added compatibility with most bed covers



BED RAILS Classic bed rails available in classic or LED styles



LIGHTNING SPORT BAR Add style to the bed of truck with the classic sport bar

SPORT BAR 3.0



FEATURES:

- ◊ Compatible with most retractable, roll-up and some folding bed covers
- ◊ Constructed of durable steel materials
- ◊ Pre-drilled holes provided to mount auxiliary lights or bar (Lights not included)
- ◊ Available in two finishes: textured black powder coat (5-year limited warranty) or polished stainless steel finish (Limited lifetime warranty)



NEW SPORT BAR 2.0



SPORT BAR 2.0 is an amped up version of a classic favorite for most full size and mid size trucks. By mounting to the truck bed rail, it's compatible with most retractable, roll-up and some folding bed covers. SPORT BAR 2.0 offers two LED mounting options: a standard fixed mount or an optional power-actuated hideaway. The factory assembled power-actuated hideaway mount allows the lights to retract flush inside a protective light box. (Patent pending)

FEATURES:

- ◊ Compatible with most retractable, roll-up and some folding bed covers
- ◊ Standard fixed mount versions is compatible with lighting arrays including a variety of individual lights and LED bars up to 40".
- ◊ Standard fixed mount version can be upgraded to a power actuated version at any time
- ◊ Provides mounting for up to 6" individual lights (Lights not included)
- ◊ Patent pending powered actuated hide-away mount includes a wiring harness, switch, and allows for lights to retract when not in use
- ◊ Power actuated hide-away mount is available as a factory pre-assembled complete kit
- ◊ Available in two finishes: textured black powder coat (5-year limited warranty) or polished stainless steel finish (Limited lifetime warranty)
- ◊ Light bracket kit available for mounting of smaller lights

Note: Ships parcel



Removable side plates
(Lights not included)

Fixed mount or power
actuated options allow
installation of LED lights.
(Lights not included)

Can be used in
conjunction with
most bed covers

Power-actuated
light mount bar kit



BED BARS

Go Rhino Bed Bars offer classic rugged looks with unmistakable style. Choose the optional light mount bar and add any array of lights to create a unique look that's sure to get noticed. Choose single, double or triple style bars in black, chrome or polished stainless.

FEATURES:

- ◻ Provides the perfect place to mount off-road lights (Optional light bar mount sold separately)
- ◻ 3" Heavy-duty, modular steel tube construction with no exposed welds
- ◻ Modular bolt-together design
- ◻ Included plastic gaskets eliminate metal to metal contact
- ◻ Available in three finishes: black powder coat (5-year limited warranty), chrome (Limited lifetime warranty), or polished stainless steel finish (Limited lifetime warranty)
- ◻ No hassle one part number ordering per style



Single-Single



Double-Single



Double-Double



Triple-Single



Triple-Double

OPTIONAL LIGHT BAR MOUNT

Optional light bar mount pre-drilled to mount up to four lights or one LED light bar. (Lights not included)

Black Powder Coat

Part No. 900B

Polished Stainless

Part No. 900PS
(sold separately)



LIGHTNING SPORT BAR



Exclusive Go Rhino design adds style and light mount platform.

FEATURES:

- ⬡ Patented steel brackets (US Patent # D528,964)
- ⬡ Pre-drilled holes provided to mount up to four auxiliary lights or LED light bar (Lights not included)
- ⬡ Available in two finishes: textured black powder coat (5-year limited warranty) or polished stainless steel finish (Limited lifetime warranty)
- ⬡ All Lightning Sport Bars come with textured black powder coat corner tubes
- ⬡ Chrome corner tubes and extra black corner tubes available for purchase separately



Set of 4 Chrome
Part No 201400C



Set of 2 Black
Part No 2014021

LED BED RAILS



LED BED RAILS are designed to both protect and illuminate the truck bed. A pair of super bright LED's located on each rail light up the cargo area and are activated by weather-sealed switches located at the cab and tailgate ends for easy access. (Patent pending)

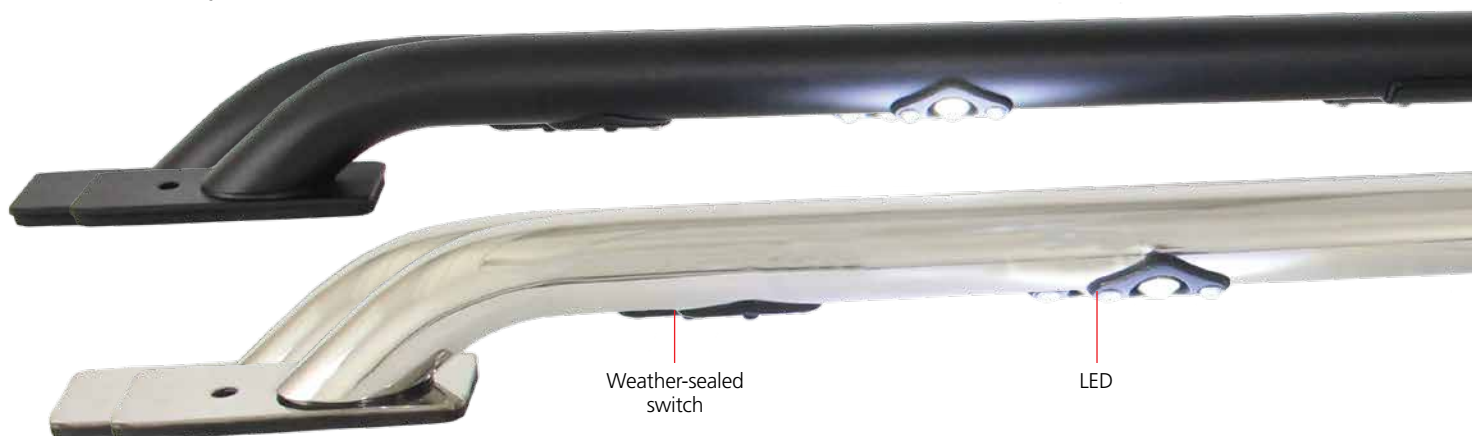
FEATURES:

- ⬡ Patent pending LED Bed Rails are vehicle specific battery operated, sold in pairs with all mounting hardware included
- ⬡ Super bright LED lights are rated for 50,000 hours of service
- ⬡ Weather-resistant switches and battery compartment switches are located on each rail for convenience
- ⬡ Weather-resistant electronic enclosure: The battery operated lighting system is enclosed inside the tube in a molded polymer enclosure
- ⬡ Eight AA batteries required
- ⬡ Available in two finishes: textured black powder coat (5-year limited warranty), or polished stainless steel finish (Limited lifetime warranty)



Weather-sealed electronics

The battery operated lighting system is enclosed inside the rail tube in a polymer and aluminum case. Requires no hard-wiring to a vehicle electrical system. (Batteries not included)



BED RAILS



Semi-gloss Black Powder Coat

Chrome

Polished Stainless



Stake pocket mount
(No drilling required)



Universal mount
(May require drilling)

FEATURES:

- ◊ Crafted from high-quality steel
- ◊ Welded steel base plate for extra strength and easy installation
- ◊ Foam mounting gasket avoids metal contact (Stake pocket only)
- ◊ Sizes available to fit most cross bed toolboxes and other bed accessories



Weather-resistant battery compartment

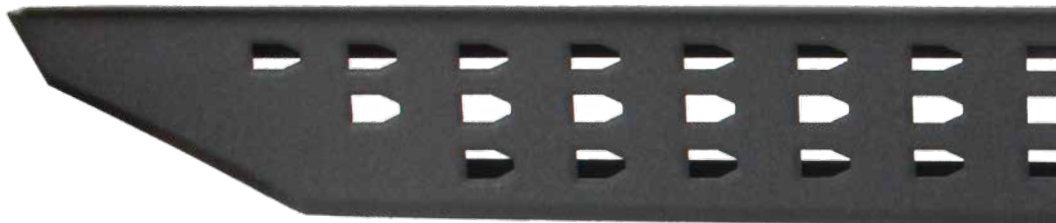
GO RHINO SIDE STEPS

Go Rhino's wide variety of side steps makes sure that there's something for everyone. From classic oval and OE style looks to aggressive modern running boards to the ever-popular hoop steps.

1000 SERIES & OE EXTREME



RB RUNNING BOARDS



DOMINATOR



DOMINATOR D2

Cab-length bar that sits high and tight to the vehicle

DOMINATOR D3

One-piece or modular wheel-to-wheel bar that offers a third step that allows easier access to the bed of the vehicle

DOMINATOR D4

Cab-length bar that sits further away from the vehicle, allowing the main bar to be used as a second step for easier entry and exit

DOMINATOR D6

New wide cab-length side step featuring aggressive styling and punched holes for extra grip. Optional bolt-on hoop steps are also available



D3

OE EXTREME



RB10



RB20



D4



D6

RB10 RUNNING BOARDS



Go Rhino RB10 running boards add an aggressive raptor-inspired style to many of today's most popular full and mid-size trucks. RB10 Running Boards protect the vehicle from debris, while providing a wide, full-length step platform for easy entry to the front or back doors. These RB Series running boards are available in two finishes: protective bedliner coating or texture powder coat.



Provides rocker protection

Raptor style louvers with an open slot design help reduce snow and mud buildup

FEATURES:

- ◻ Raptor-inspired style running board design
- ◻ Constructed from galvanized steel for additional corrosion protection
- ◻ Available in two finishes: protective bedliner coating or textured black powder coat for corrosion, impact and abrasion resistance (5-year limited warranty)
- ◻ Available with or without drop steps
- ◻ Simple, no-drill installation. Sold in vehicle-specific sets with complete mounting hardware included
- ◻ Mounts high and tight to protect lower body
- ◻ Complementary RB10 hitch step and drop steps available

NEW RB10 HITCH STEP

The RB10 Hitch Step adds a raptor-inspired style to the back of any vehicle with a 2" receiver. This wide, secure surface allows an easy step up into the bed or a steady surface to stand and work on. It's built from galvanized steel, available with durable black texture finish or protective bedliner coating for corrosion, impact and abrasion resistance.

FEATURES:

- ◻ RB10 raptor-inspired style
- ◻ RB10 style louvers
- ◻ Wide, secure step
- ◻ Fits 2" receivers
- ◻ Complements the RB10 running board



Part No. RB610T
Protective Bedliner Coating
Part No. RB610PC
Textured Powder Coat



RB SERIES DROP STEPS

The RB Series Drop Step accessory is perfect for all RB10s installed on lifted or taller trucks. These steps drop 4" below the RB10 boards and hitch step, making entering a vehicle easy!



FEATURES:

- ◻ Easily installs in minutes
- ◻ Sold in pairs: one driver and one passenger side
- ◻ Angled fits all RB Series running board applications, straight fits RB Series drop steps
- ◻ Drop step surface area is 4" below main board for easier entry and exit
- ◻ Includes all hardware for a simple no-drill installation
- ◻ Available in two finishes: protective bedliner coating or textured black powder coat for corrosion, impact and abrasion resistance (5-year limited warranty)

OPTIONAL RB SERIES DROP STEPS

Optional 4" drop step (sold separately) is compatible with RB Series running boards and RB Series hitch step.

- ◻ Part No. 63410000T
Protective Bedliner Coating
- ◻ Part No. 63410000PC
Textured Powder Coat

NEW RB20 RUNNING BOARDS



Go Rhino RB20 Running boards give the truck the latest raptor-inspired style and function; plus optional RB Series drop steps add style and function for trucks with larger wheels and tires or lifts.

FEATURES:

- ◊ Cab length running boards for popular crew cab and extended cab trucks
- ◊ Tapered board offers an approximately 7" wide stepping area
- ◊ Constructed from galvanized steel for additional corrosion protection
- ◊ Available in two finishes: protective bedliner coating or textured powder coat for corrosion, impact and abrasion resistance
- ◊ Available with or without four drop down steps
- ◊ Sold in vehicle-specific sets. Includes mounting brackets for a simple, no-drill installation
- ◊ 5-year limited warranty

Protective
bedliner coating

Textured powder
coat finish



NEW RB20 HITCH STEP



The new raptor-inspired style RB20 Hitch Step complements the RB20 Running Board for the back of any vehicle with a 2" receiver. Available in two finishes: protective bedliner coating, or textured black powder coat for corrosion, impact and abrasion resistance with a 5-year limited warranty.

FEATURES:

- ◊ RB20 raptor-inspired style
- ◊ Wide, secure step
- ◊ Fits 2" receivers
- ◊ Complements the RB20 running board

Part No. RB620T Part No. RB620PC
Protective Bedliner Coating Textured Powder Coat



RB SERIES DROP STEPS

The RB Series Drop Step accessory is perfect for all RB Series installed on lifted or taller trucks. These steps drop 4" below the RB Series boards and hitch step, making entering a vehicle easy.

FEATURES:

- ◊ Easily installs in minutes
- ◊ Sold in pairs: one driver and one passenger side
- ◊ Angled fits all RB Series running board applications, straight fits RB Series drop steps
- ◊ Drop step surface area is 4" below main board for easier entry and exit
- ◊ Includes all hardware for a simple no-drill installation
- ◊ Available in two finishes: protective bedliner coating or textured black powder coat for corrosion, impact and abrasion resistance (5-year limited warranty)

OPTIONAL RB SERIES DROP STEPS

Optional 4" drop step (sold separately) is compatible with RB Series running boards and RB Series hitch step.

- ◊ Part No. 69410000T
Protective Bedliner Coating
- ◊ Part No. 69410000PC
Textured Powder Coat

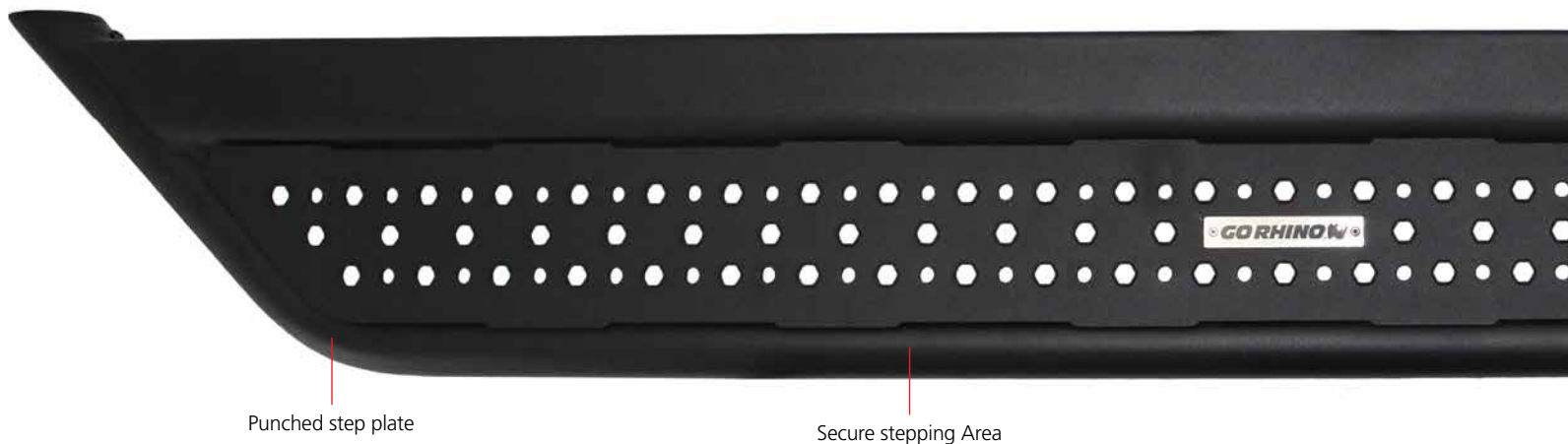
NEW DOMINATOR D6 SIDE STEPS



Dominator D6 side steps allow for easy access in and out of the vehicle and provides slider protection along the rocker panel of vehicle. The step area is 6" wide and has a raised hex pattern for no slip grip. Optional bolt-on 4" drop steps are ideal for trucks with lifts or larger wheels and tires.

FEATURES:

- ◊ Dual Purpose design and steel construction allows Dominator D6 to be used as a step and a rock slider
- ◊ Mounted tight to rocker panel for maximum ground clearance and protection
- ◊ Optional bolt-on 4" drop steps available for use with lifted vehicles and larger tires - sold in Pairs
- ◊ Punched steel step plate area has raised hex pattern to provide no slip grip
- ◊ Available in black textured powder coating (5-year limited warranty)



Punched step plate

Secure stepping Area

NEW DOMINATOR D6 HITCH STEP

The Dominator D6 hitch step complements the Dominator D6 side steps perfectly with its matching design. The side step main tube is manufactured from 1-½" round tubing with a punched steel step area to provide extra grip. Dominator D6 hitch steps are available in black texture powder coat finish with a 5-year warranty, and are compatible with 2" receiver hitches.



Part No. D6360T

FEATURES:

- ◊ D6 unique design with punched steel step area for extra grip
- ◊ Wide, secure stepping platform
- ◊ Fits 2" receivers
- ◊ Matching D6 running board is available

DOMINATOR D6 DROP STEPS

The Dominator D6 Drop Step accessory is perfect for all D6s installed on lifted or taller trucks. These steps drop 4" below the D6 boards and hitch step, making entering a vehicle easy!

FEATURES:

- ◊ Easily installs in minutes
- ◊ Sold in pairs: one driver and one passenger side
- ◊ Fits all Dominator D6 running boards
- ◊ Drop step surface area is 4" below main board for easier entry and exit
- ◊ Includes all hardware for a simple no-drill installation



Part No. D6410000T

DOMINATOR D4 DUAL-STEP®



Dominator D4 steps offer a 4" wide oval stepbar design with added hoops for a real two-step entry and exit from the truck cab.

The Dominator D4 has an exclusive Dual-Step® design that presents an upper and lower step up to the cab for the perfect step up assist for taller, lifted trucks with oversized tires.

FEATURES:

- ◊ Main bar and lower hoops feature extra-wide patented punched galvanized steel removable step pads for extra grip (US Patent # D717,708)
- ◊ Simple, no-drill installation on most applications
- ◊ Available in two finishes: textured black powder coat (5-year limited warranty), or polished stainless finish (Limited lifetime warranty)



Complementary
Dominator Hitch
Step available

See page 72 for details



Additional step pad on main bar makes exiting vehicle safer

4" oval steel tubing

DOMINATOR D2 SIDE STEPS



Dominator D2 steps
sit high and tight
against the vehicle

Go Rhino Dominator D2 hoop-step sidebars are available in cab length with welded hoop steps. Every Dominator features hoop-style drop steps to make entry and exit easy and deliver rugged style to any truck.

DOMINATOR D2 CAB LENGTH

This classic hoop step design sits close to the body of the truck to provide a wide, secure stepping point for entering and exiting a vehicle.

FEATURES:

- One-piece main bar made of round steel tubing
- Hoop steps on each side feature punched galvanized removable steel step pads for extra grip
- Simple, no-drill installation on most applications. Mounting brackets included
- Available in two finishes: textured black powder coat (5-year limited warranty) or polished stainless finish (Limited lifetime warranty)



DOMINATOR D3 WHEEL-TO-WHEEL



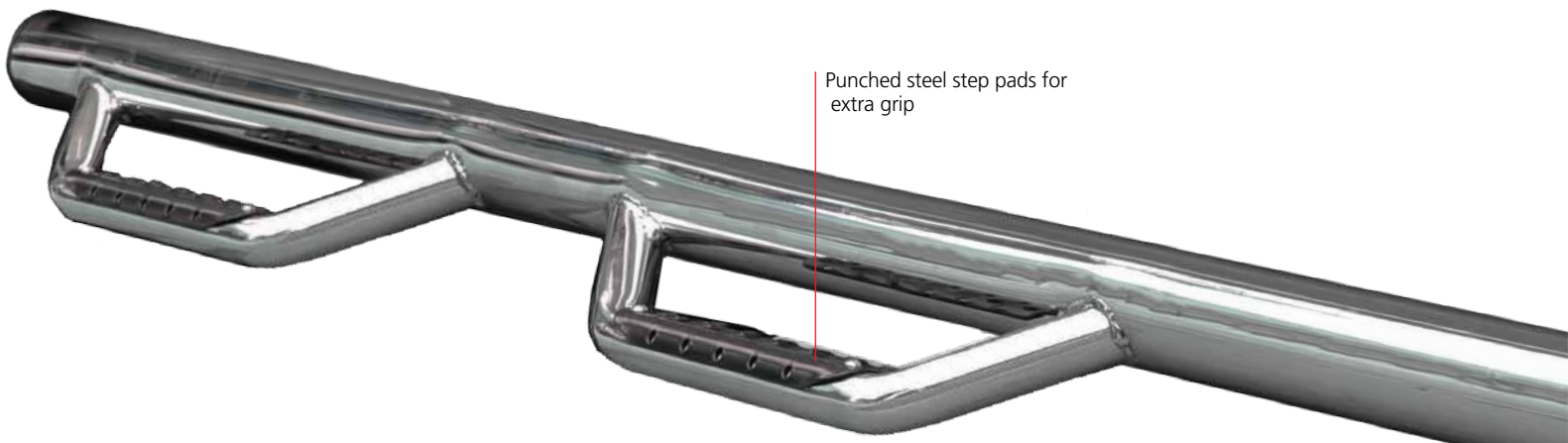
Go Rhino Dominator D3 Wheel-To-Wheel Hoop Steps in modular or one-piece versions extend between the front and back wheel openings with drop down steps placed below each door, and a third step positioned towards the back providing easy access the truck bed or toolbox.

DOMINATOR D3 ONE-PIECE

FEATURES:

- One-piece main bar made of 3" round steel tubing
- Three hoop steps on each side feature punched steel step pads for extra grip
- Removable galvanized steel step pads
- Third hoop provides easier access to the truck bed
- Simple, no-drill installation on most applications. Mounting brackets included
- Available in two finishes: textured black powder coat (5-year limited warranty) or polished stainless finish (Limited lifetime warranty)

Note: Must ship truck freight



DOMINATOR D3 MODULAR



Go Rhino Dominator D3 patented two-piece modular design delivers the same strength and durability as the one-piece design with the added benefit of significant savings in shipping costs.

FEATURES:

- ◊ Two-piece main bar made of 3" round steel tubing
- ◊ Three hoop steps feature punched galvanized steel step pads for extra grip
- ◊ Third hoop provides easier access to truck bed or toolbox
- ◊ Simple, no-drill installation on most applications
- ◊ Available in two finishes: textured black powder coat (5-year limited warranty), or polished stainless finish (Limited lifetime warranty)
- ◊ Ships parcel, which is more convenient and cost-effective than shipping truck freight



See page 72 for details

Modular D3 bars have unique reinforced male/female connector tubes for the strength and rigidity of a one-piece bar. Modular design offers lower freight cost and reduced potential for freight damage.

OE XTREME SIDE STEPS



Go Rhino's signature OE Xtreme Side Steps offer an OE style look to most trucks and SUVs. Featuring SuperGrip rubberized step pads that grip when wet, these wide oval or square designs complement almost every vehicle. Matched with custom, vehicle specific brackets, you get factory looks and quality that lasts.





FIT MORE TRUCKS WITH FEWER PARTS

Go Rhino OE XTREME Side Steps are a multi-fit design that employs a no-drill mounting bracket system, sold separately from the step bar to satisfy customers while stocking fewer parts.

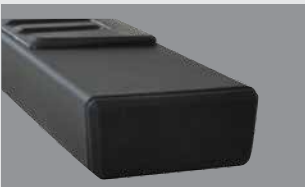
1 Choose the vehicle-specific mounting bracket kit



2 Choose the Style

- A - 6" OE Xtreme II
- B - 6" OE Xtreme
- C - 5" OE Xtreme Composite
- D - 5" OE Xtreme Low Profile
- E - 4" OE Xtreme

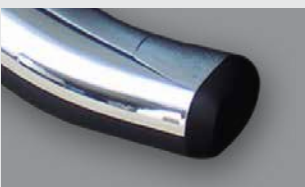
3 Choose the finish



Textured black powder coat



Black composite



Chrome composite



Polished stainless



OE XTREME SIDE STEPS



6" OE XTREME II CAB LENGTH SIDE STEPS FEATURES:

- SuperGrip™ rubber step pads for safer entry and exit
- Compatible with Go Rhino OE XTREME mounting brackets
- Kits that include the board and mounting brackets are available
- Available in 52", 80", and 87" lengths to fit regular, extended and crew cab trucks
- Available in two finishes: textured black powder coat (5-year limited warranty) or polished stainless steel finish (Limited lifetime warranty)



6" OE XTREME CAB LENGTH SIDE STEPS FEATURES:

- SuperGrip™ rubber step pads for safer entry and exit
- Compatible with Go Rhino OE XTREME mounting brackets
- Kits that include the board and mounting brackets are available
- Available in 52", 80", 87" or 96" lengths for regular, extended, crew cab, and mega cab trucks
- Available in two finishes: textured black powder coat (5-year limited warranty), or polished stainless steel finish (Limited lifetime warranty)



6" OE XTREME WHEEL-TO-WHEEL SIDE STEPS FEATURES:

- Designed for HD truck applications
- SuperGrip™ rubber step pads for safer entry and exit
- Compatible with Go Rhino OE XTREME mounting brackets
- Available in 96", 104", 112" or 124" lengths for HD truck applications
- Available in two finishes: textured black powder coat (5-year limited warranty) or polished stainless steel finish (Limited lifetime warranty)



5" OE XTREME COMPOSITE CAB LENGTH SIDE STEPS FEATURES:

- Composite construction with aluminum mounting rails
- Great choice for cold weather environments
- Kits that include the board and mounting brackets are available
- SuperGrip™ rubber step pads for safer entry and exit
- Available in 80" or 87" lengths for extended and crew cab trucks
- Compatible with Go Rhino OE XTREME mounting brackets
- Available in two finishes: black (5-year limited warranty) or chrome finish (Limited lifetime warranty)



5" OE XTREME LOW PROFILE CAB LENGTH SIDE STEPS FEATURES:

- Low profile design that adds functionality and style to your vehicle
- SuperGrip™ rubber step pads for safer entry and exit
- Kits that include the board and mounting brackets are available
- Compatible with Go Rhino OE XTREME mounting brackets
- Available in 52", 80" or 87" lengths for regular, extended and crew cab trucks
- Available in 67", 71" or 75" lengths for most SUV/CUV's
- Available in two finishes: textured black powder coat (5-year limited warranty) or polished stainless steel finish (Limited lifetime warranty)



4" OE XTREME CAB LENGTH SIDE STEPS FEATURES:

- Welded end caps featured with the polished stainless steel finish
- Black plastic end caps featured with black powder coat finishes
- Kits that include the board and mounting brackets are available
- Compatible with Go Rhino OE XTREME mounting brackets
- Available in 52, 80 or 87" lengths for regular, extended, and crew cab trucks
- Available in 67, 71 or 75" lengths for most SUV/CUV applications
- Available in two finishes: textured black powder coat (5-year limited warranty) or polished stainless steel finish (Limited lifetime warranty)



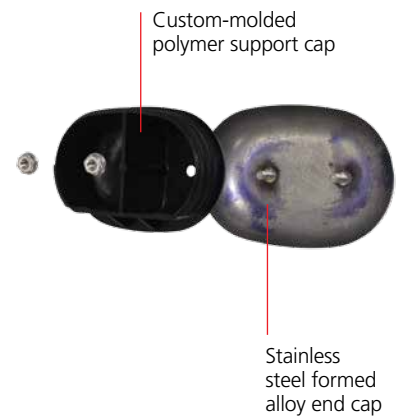
1000 SERIES SIDE STEPS



Go Rhino 1000 Series side steps are built and designed for quality and value to dress up any truck. These 4" and 5" wide oval side steps are OE-quality and available in polished stainless steel or textured black powder coat over galvanized steel for maximum corrosion resistance.

FEATURES:

- ◻ OE style side steps with OE quality construction
- ◻ Available in 80" and 87" lengths for extended cab and crew cab trucks
- ◻ Available in 4" and 5" styles
- ◻ Available in two finishes: textured black powder coat (5-year limited warranty) or polished stainless steel finish (Limited lifetime warranty)
- ◻ Patent pending end caps are easily replaceable if damaged
- ◻ Kits including brackets are available for easy ordering



CLASSIC SIDE STEPS

415 SERIES CAB LENGTH SIDE STEPS FEATURES:

- 4" Oval tube with a 15° bend on each end
- Welded end caps on stainless version
- Plastic end caps on textured black version
- High-traction composite step pads
- Simple, no-drill installation. Mounting brackets included
- Available in two finishes: textured black powder coat (5-year limited warranty) or polished stainless steel finish (Limited lifetime warranty)



4000 SERIES CAB LENGTH SIDE STEPS FEATURES:

- 3" Round tube with a 90° bend on each end for most applications
- High-traction composite step pads
- Simple, no-drill installation. Mounting brackets included
- Available in three finishes: semi-gloss black powder coat, chrome (5-year limited warranty) or polished stainless steel finish (Limited lifetime warranty)



6000 SERIES WHEEL-TO-WHEEL SIDE STEPS FEATURES:

- 3" Round tubing
- High-traction composite step pads
- Simple, no-drill installation. Mounting brackets included
- Extra length provides a third step for easy access to the truck bed or toolbox
- Kickout version for dually trucks also available
- Available in two finishes: semi-gloss black powder coat (5-year limited warranty) or polished stainless steel finish (Limited lifetime warranty)



EXHAUST TIPS



Standard polished stainless steel exhaust tips discolor and fade. Go Rhino Exhaust Tips undergo the extra step of chrome plating over stainless steel to protect against corrosion and discoloration, which means they'll keep their brilliant shine forever with just a soap and water cleaning.

FEATURES:

- ◊ Stainless Steel Torca AccuSeal™ clamp included
- ◊ Black powder coat over stainless steel finish
- ◊ Chrome over stainless steel finish
- ◊ Limited Lifetime Warranty



NOW OFFERING A NEW FAST-STYLE DESIGN!

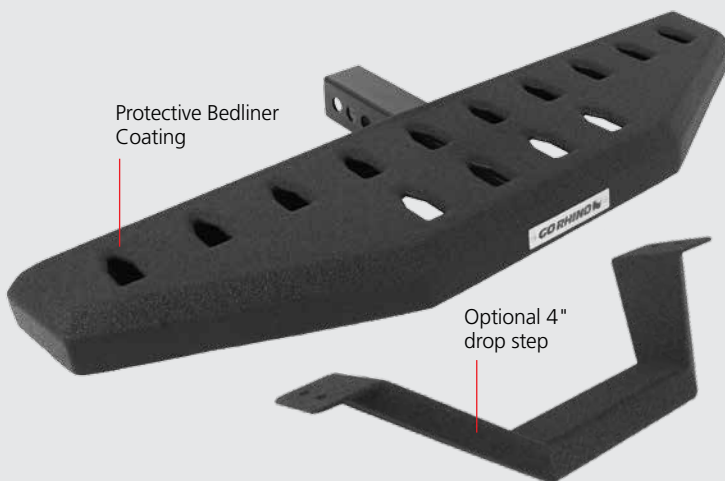
Part No. GRT21248FB

Go Rhino Hitch Steps provide easy access to the truck bed or SUV roof rack while offering additional vehicle protection. Easily installed without tools into standard hitch receivers. Removes in minutes.

NEW RB20 HITCH STEP

FEATURES:

- ◊ Raptor-inspired style running board design
- ◊ Constructed from galvanized steel for additional corrosion protection
- ◊ Available in a textured bedliner finish or black powder coat finish with a 5-year limited warranty
- ◊ Includes anti-rattle device and hitch pin
- ◊ Easily installed to 2" receiver
- ◊ Optional 4" RB Drop Step can be added for an easier step up onto the RB20 Hitch Step



Hitch step - 34" wide

Protective Bedliner Coating

Part No. RB620T

Protective Bedliner Coating Drop Step

Part No. 69410000T



Hitch step - 34" wide

Powder Coat

Part No. RB620PC

Powder Coat Drop Step

Part No. 69410000PC

HITCH STEPS

Textured Black

Part No. D6360T

Drop Step

Part No. D6



NEW DOMINATOR D6 HITCH STEP

- D6 unique design with punched steel step area for extra grip
- Wide, secure stepping platform
- Heavy-duty steel construction for unmatched strength and durability
- Easily installed into standard 2" hitch receivers
- Includes anti-rattle device and hitch pin
- Available in a textured bedliner finish or black powder coat finish with a 5-year limited warranty

Polished Stainless

Part No. D360PS

Textured Black

Part No. D360T

(Patent No. US D532,354 S)



DOMINATOR HITCH STEP

- Unique design provides a full-size 36" wide top step and a drop down lower step
- High-traction molded step pad on top, and galvanized step pad on lower step
- Heavy-duty steel construction for unmatched strength and durability
- Easily installed into standard 2" hitch receivers
- Includes anti-rattle device and convenient storage bag
- Available in two finishes: textured black powder coat (5-year limited warranty) or polished stainless steel finish (Limited lifetime warranty)

Hitch step - 34" wide

Protective Bedliner Coating

Part No. RB360T

Drop Step

Part No. 69410000T



Optional 4" drop step

NEW RB10 HITCH STEP

- Raptor-inspired style running board design
- Constructed from galvanized steel for additional corrosion protection
- Available in a textured black powder coat finish with a 5-year limited warranty
- Includes anti-rattle device and hitch pin
- Easily installed to 2" receiver
- Optional 4" RB Drop Step can be added for an easier step up onto the RB10 Hitch Step



HITCH STEP

- Helps ease the strain of climbing into your truck bed or loading cargo up to a roof rack while providing additional bumper protection
- 2" Receiver step is 36" wide
- 1-1/4" Receiver step is 32" wide
- Built from heavy-duty 3" steel tubing
- Extra-wide, high-grip composite step pad
- Includes anti-rattle device and convenient storage bag
- Includes hitch pin
- Available in 1-1/4" or 2" hitch receivers
- Available in two finishes: textured black powder coat (5-year limited warranty) or polished stainless steel finish (Limited lifetime warranty)

RHINO STEP

- Provides a convenient standing spot when loading cargo
- Compact design measures 12" wide
- Heavy-duty 3" steel tubing
- High-traction perforated stainless steel step pad
- Easily installed into standard 2" hitch receivers
- Includes hitch pin
- Available in two finishes: semi-gloss black powder coat (5-year limited warranty) or polished stainless steel finish (Limited lifetime warranty)

4" OVAL HITCH STEP

- Large 24" wide step
- High-traction molded step pad for sure footing
- Easily installed into standard 2" hitch receivers
- Anti-rattle shim included
- Available in two finishes: semi-gloss black powder coat (5-year limited warranty) or polished stainless steel finish (Limited lifetime warranty)

2" HITCH STEP

Chrome
Part No. 360C

Polished Stainless
Part No. 360PS

Textured Black
art No. 360T



1 1/4" HITCH STEP

Black Powder Coat
Part No. 310B

Chrome
Part No. 310C

Polished Stainless
Part No. 310PS



Black Powder Coat
Part No. 320B

Polished Stainless
Part No. 320PS



Black Powder Coat
Part No. 460B

Polished Stainless
Part No. 460PS

TOTAL JEEP® SOLUTIONS

BUMPERS

**WINDSHIELD
LIGHT FRAMES**

SIDE STEPS

**FENDER
FLARES**

**FENDER
LINERS**

**CARRIERS
AND RACKS**





TOTAL JEEP® SOLUTIONS





BRJ40 Front Bumper

Part No. 23100T

Full End Caps

Part No. 23120T*

Rockline® Patented Light Mount Bar

Part No. 25101T*

(US Patent # D757,316)

Eight 3" Cubes WLF Windshield Light Frame

Part No. 738300T*

RB10 Running Boards with Drop Steps

Part No. 6345056820T

BRJ80 Rear Bumper with Full End Cap

Part No. 27120T

**Lights not included*



BRJ40 Front Bumper

Part No. 23100T

Straight End Caps

Part No. 23115T*

Roadline™ Patented Light Mount Bar

Part No. 25102T*

(US Patent # D757,316)

30" Light Bar and Four 3" Cubes WLF Windshield Light Frame

Part No. 731323T*

RB10 Running Boards with Drop Steps

Part No. 6345056820T

BRJ80 Rear Bumper with Straight End Caps

Part No. 27115T

**Lights not included*



BRJ40 Front Bumper

Part No. 23100T

Winch & Fairlead not included

Fairlead Mounting Plate

Part No. 23200T*

Stubby End Caps

Part No. 23110T

Trailline® Patented Light Mount Bar

Part No. 25103T*

(US Patent # D757,316)

40" Light Bar and Two 3" Cubes WLF Windshield Light Frame

Part No. 731423T*

Dominator D2 Side Steps

Part No. D24505T

BRJ80 Rear Bumper with Stubby End Caps

Part No. 27110T

**Lights not included*



JEEP® TOTAL BUMPER SYSTEM

Jeep® Total Bumper System (TBS) features a center bumper rich in features that can be used with Go Rhino's optional end caps and patented light bar mounts to create 16 custom bumper combinations for the 07-17 Jeep® JK Wrangler and JK Wrangler Unlimited. Three different rear bumper styles are available to match the front bumper styles.



Center Only



Stubby End Cap



Rockline®



Roadline™



Trailline®



Straight End Cap



Full End Cap



Rockline®



Roadline™



Trailline®



Light Mount Bar (US Patent # D757,316)

BRJ40 BUMPER LIGHTING SYSTEM



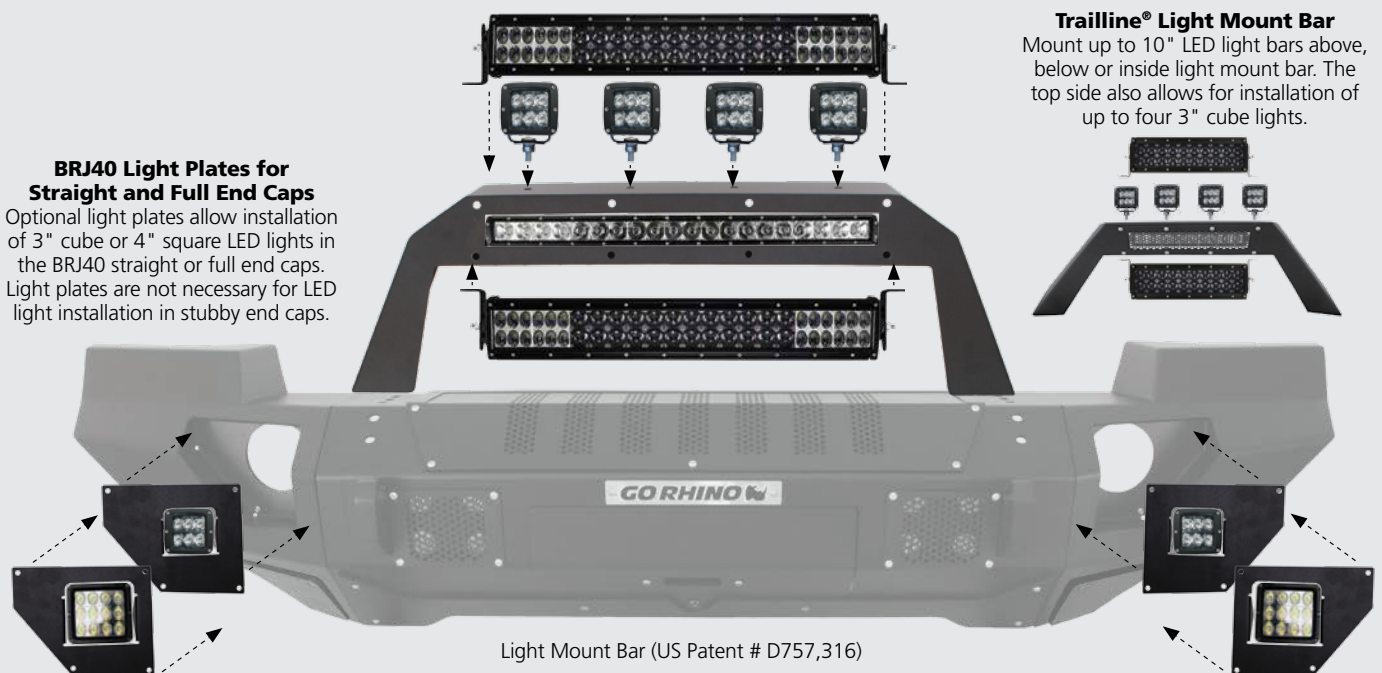
Go Rhino's Bumper Lighting System allows complete customization of light mounting configurations on the Go Rhino BRJ40 Front Bumper. Multiple mounting options on light mount bars and end caps allow for diverse lighting variations for any style of lights.

Rockline® and Roadline™ Light Mount Bars

Mount up to 20" LED light bars above, below or inside light mount bar. The top side also allows for installation of up to four 3" cube lights.

Trailline® Light Mount Bar

Mount up to 10" LED light bars above, below or inside light mount bar. The top side also allows for installation of up to four 3" cube lights.



BRJ40 Light Plates for Straight and Full End Caps

Optional light plates allow installation of 3" cube or 4" square LED lights in the BRJ40 straight or full end caps. Light plates are not necessary for LED light installation in stubby end caps.

Light Mount Bar (US Patent # D757,316)

BRJ40 JEEP® FRONT BUMPER

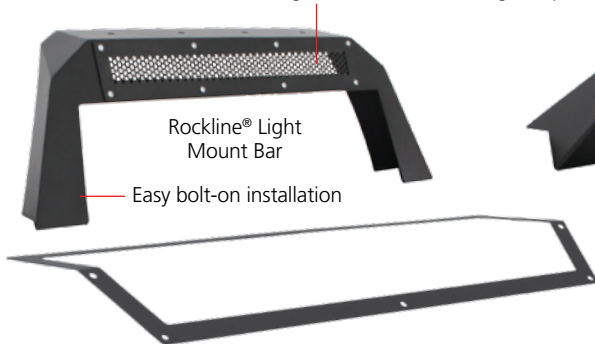


Features:

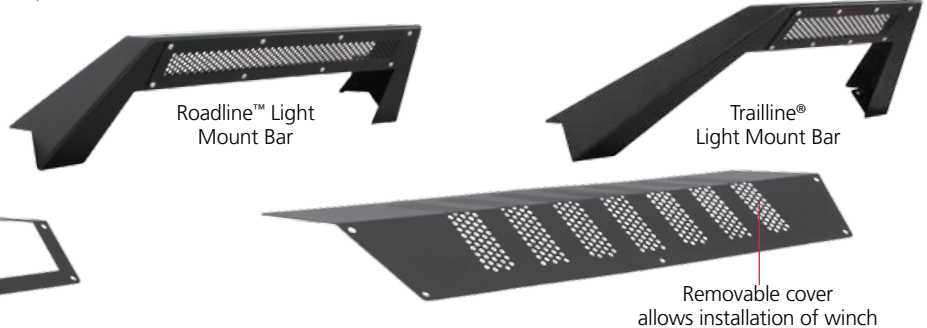
- ⬡ Bolt-on modular design allows for up to 16 unique style combinations
- ⬡ 3 Optional end caps and 3 optional light mount bars available
- ⬡ Patent pending 1" steel shackle mounts with signature Rhino horn hook
- ⬡ Patent pending locking storage drawer uses vehicle ignition key
- ⬡ Can be used with or without a winch. Winch capacity up to 12,500 lbs.
- ⬡ Round factory lights can be reused with end caps
- ⬡ Optional light plates can be purchased to mount some square aftermarket lights
- ⬡ Replaceable polymer rub plates help protect approach angle area of bumper
- ⬡ 3/16" Steel with 1/4" brackets. Includes stainless steel exterior hardware
- ⬡ Textured black powder coat finish (5-year limited warranty)

The BRJ40 modular front winch bumper for Jeep® Wrangler JK is loaded with Go Rhino exclusive features, including a patent pending locking storage drawer that uses the vehicle's ignition key.

Removable mesh screen with signature Go Rhino hexagonal pattern



Light Mount Bar (US Patent # D757,316)



Full End Cap



Stubby End Cap

Compatible with aftermarket or factory fog lights

Polymer Rub Plates for added protection



Signature rhino horn tow hook and D-shackle mount (Patent Pending)

Lockable gear drawer codeable to ignition key (Patent Pending)

BRJ40 FRONT BUMPER WITHOUT END CAPS

Go Rhino's new BRJ40 Front Bumper is a great fit for the 07-17 Jeep® JK Wrangler and JK Wrangler Unlimited with or without any of the optional end caps. Your choice of one of three different patented light mount bar accessories allows for complete customization of the BRJ40 bumper.



Bumper Center
Part No. 23100T



Bumper Center Part No. 23100T

Patented Roadline™ Light Mount Bar
Part No. 25102T (US Patent # D757,316)

Patented Roadline™ Light Mount Bar Combo Kit
Part No. 230102T (US Patent # D757,316)



Bumper Center
Part No. 23100T

Patented Rockline® Light Mount Bar
Part No. 25101T (US Patent # D757,316)

Patented Rockline® Light Mount Bar Combo Kit
Part No. 230101T (US Patent # D757,316)



Bumper Center
Part No. 23100T

Patented Trailline® Light Mount Bar
Part No. 25103T (US Patent # D757,316)

Patented Trailline® Light Mount Bar Combo Kit
Part No. 230103T (US Patent # D757,316)



BRJ40 JEEP® FRONT BUMPER WITH STUBBY END CAPS

Take your 07-17 Jeep® JK Wrangler or JK Wrangler Unlimited to the extreme with the Stubby End Caps for the Go Rhino BRJ40 Front Bumper. Adding the featured and patented Trailline® Light Mount Bar maximizes the aggressive look for weekend warriors and daily drivers alike.



Part No. 230110T

Bumper Center Part No. 23100T

Stubby End Caps Part No. 23110T



Bumper Center Part No. 23100T

Stubby End Caps Part No. 23110T

Patented Roadline™ Light Mount Bar
Part No. 25102T (US Patent # D757,316)

Patented Roadline™ Light Mount Bar Combo Kit
Part No. 230110102T (US Patent # D757,316)



Bumper Center Part No. 23100T

Stubby End Caps Part No. 23110T

Patented Rockline® Light Mount Bar
Part No. 25101T (US Patent # D757,316)

Patented Rockline® Light Mount Bar Combo Kit
Part No. 230110101T (US Patent # D757,316)



Bumper Center Part No. 23100T

Stubby End Caps Part No. 23110T

Patented Trailline® Light Mount Bar
Part No. 25103T (US Patent # D757,316)

Patented Trailline® Light Mount Bar Combo Kit
Part No. 230110103T (US Patent # D757,316)

BRJ40 JEEP® FRONT BUMPER WITH STRAIGHT END CAPS

Keep your classic Jeep® bumper look with the Straight End Caps for the Go Rhino BRJ40 Front Bumper. This look matches the straight bumper look of the stock bumper and is made for the 07-17 Jeep® JK Wrangler and JK Wrangler Unlimited.



Part No. 230115T

Bumper Center Part No. 23100T

Straight End Cap Part No. 23115T



Bumper Center • Part No. 23100T

Straight End Caps • Part No. 23115T

Patented Roadline™ Light Mount Bar
• Part No. 25101T (US Patent # D757,316)

Patented Roadline™ Light Mount Bar Combo Kit
• Part No. 230115101T (US Patent # D757,316)



Bumper Center Part No. 23100T

Straight End Caps Part No. 23115T

Patented Rockline® Light Mount Bar
Part No. 25102T (US Patent # D757,316)

Patented Rockline® Light Mount Bar Combo Kit
Part No. 230115102T (US Patent # D757,316)



Bumper Center Part No. 23100T

Straight End Caps Part No. 23115T

Patented Trailline® Light Mount Bar
Part No. 25103T (US Patent # D757,316)

Patented Trailline® Light Mount Bar Combo Kit
Part No. 230115103T (US Patent # D757,316)

BRJ40 JEEP® FRONT BUMPER WITH FULL END CAPS

Go Rhino's BRJ40 Front Bumper equipped with the Full End Caps line up with the 07-17 Jeep® JK Wrangler and JK Wrangler Unlimited fenders, making it the best option for a full, complete look for the front end.



Part No. 230120T

Bumper Center Part No. 23100T

Full End Caps Part No. 23120T



Bumper Center Part No. 23100T

Full End Caps Part No. 23120T

Patented Roadline™ Light Mount Bar
Part No. 25102T (US Patent # D757,316)

Patented Roadline™ Light Mount Bar Combo Kit
Part No. 230120102T (US Patent # D757,316)



Bumper Center Part No. 23100T

Full End Caps Part No. 23120T

Patented Rockline® Light Mount Bar
Part No. 25101T (US Patent # D757,316)

Patented Rockline® Light Mount Bar Combo Kit
Part No. 230120101T (US Patent # D757,316)



Bumper Center Part No. 23100T

Full End Caps Part No. 23120T

Patented Trailline® Light Mount Bar
Part No. 25103T (US Patent # D757,316)

Patented Trailline® Light Mount Bar Combo Kit
Part No. 230120103T (US Patent # D757,316)

BRJ80 JEEP® REAR BUMPERS

BRJ80 REAR BUMPER WITH STUBBY END CAPS Part No. 27110T



1" Thick steel shackle mounts with signature rhino horn tow hook (Patent Pending)

Mesh vent covers can be replaced with single row flush-mount lights

BRJ80 REAR BUMPER WITH STRAIGHT END CAPS Part No. 27115T



1" Thick steel shackle mounts with signature rhino horn tow hook (Patent Pending)

Mesh vent covers can be replaced with single row flush-mount lights

BRJ80 REAR BUMPER WITH FULL END CAPS Part No. 27120T



Convenient built-in step in corner

Mesh vent covers can be replaced with single row flush-mount lights

1" thick steel shackle mounts with signature rhino horn tow hook (Patent Pending)

The BRJ80 Rear Bumper is part of Go Rhino's customizable Jeep® product lines for the 07-17 Jeep® JK Wrangler and JK Wrangler Unlimited. Three different styles allow enthusiasts to create their own bumpers from Go Rhino that match the styles of the BRJ40 front bumper that conveniently ships via parcel delivery services.



Features:

- Allows for installation of two additional single row or compatible flush-mount lights
- Bumper made from 3/16" steel
- Compatible with factory hitch
- Stainless steel hardware
- 5-year Limited Warranty

GO RHINO SIDE STEPS FOR JEEP®



Many of Go Rhino's signature side steps are also available for the 2007-2017 Jeep Wrangler JK. Jeep enthusiasts can now enjoy the RB Series Running Boards, Dominator D2, Dominator D6, and the classic 4000 series side steps for their 2 door or 4 door Jeep Wranglers.

RB10

See pg. 54
for details



RB20

See pg. 56
for details



D6

See pg. 58
for details



D2

See pg. 61
for details



2 DOOR

versions also available





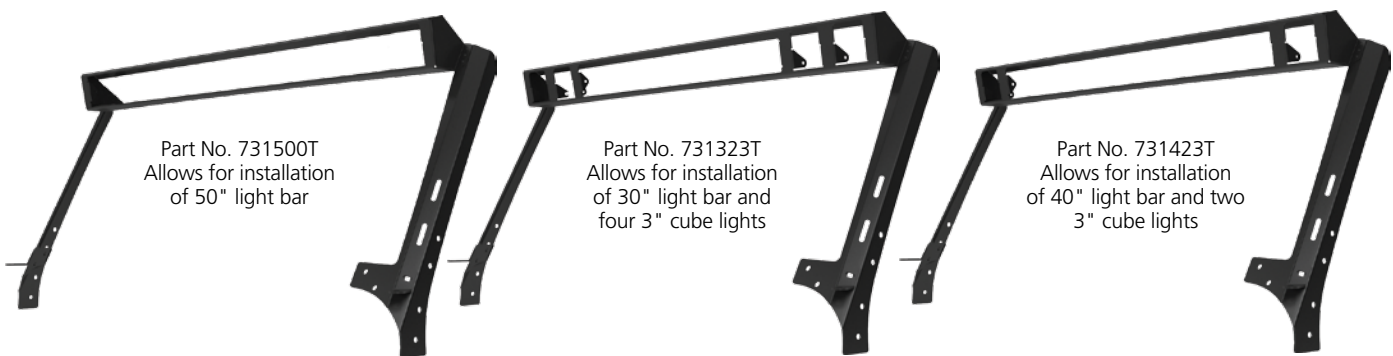
JEEP® WLF WINDSHIELD LIGHT FRAME



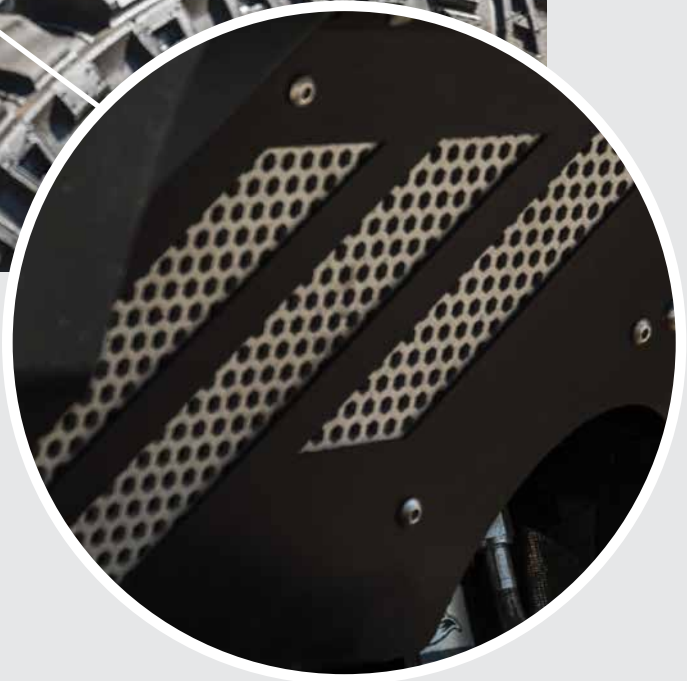
The Go Rhino WLF Windshield Light Frame for the 07-17 Jeep® JK Wrangler and JK Wrangler Unlimited offers a total lighting solution. Only Go Rhino allows you to choose from a broad range of lighting options both across the windshield and on the A-pillar with a product designed for strength, style, and full-frame protection.

Features:

- ⬡ Heavy duty textured powder-coated uprights mount directly to A-pillar (5-year limited warranty)
- ⬡ Exclusive vertical stacking tabs allow for additional lower lighting options
- ⬡ 4 Different options protect a variety of lights and light bars
- ⬡ Rubber-isolated mounting system
- ⬡ Unique side-to-side lateral rack design increases stability and reduces vibration
- ⬡ Stainless steel hardware
- ⬡ Easy no-drill installation



INNER FENDER LINERS



Go Rhino Jeep JK Wrangler Front Inner Fender Liners offer a finished look for wheel wells with enhanced protection for vehicle. The liners fit 2007-2017 Jeep JK Wranglers and are made of formed aluminum with a black Textured Powder coat finish. Wheel well liners feature hex mesh vents to allow airflow to engine while protecting vehicle from rocks and debris inside the wheel well. They are sold in pairs. Go Rhino Wheel Well liners are compatible with all of Go Rhino Steel Fenders. Front & rear sets sold separately.

Features:

- Wheel Well Liners help provide enhanced protection for wheel wells, suspension and engine
- Two-piece design allows for easy installation for front inner liners
- One-piece design allows for easy installation for rear inner liners
- Front Liners feature hex mesh vents to allow airflow to engine
- Helps protect inside of wheel wells and engine from rocks and debris
- Aluminum construction with black textured powder coated finish
- Ships UPS or Fedex at standard rates-not oversize
- Go Rhino Inner Fender Liners are compatible with all Go Rhino Steel Fenders



JK WRANGLER FENDER KITS



Go Rhino precision engineered steel fenders come in two unique styles and three widths to enhance any JK adventure. The Trailline and Roadline fenders help increase tire clearance and articulation while increasing vehicle body protection. Fenders are constructed of steel with black textured powder coat finish. The unique smooth underside helps prevent mud and debris from accumulating in the wheel well. Easy Installation and fits perfectly with Go Rhino IFL, Inner Fender Liners for JK-sold separately

Features:

- ◊ Two unique designs and styles to choose from adding style and function to JK Wranglers
- ◊ Trailline Series features unique curved design available in 3" and 6" widths for JK Wranglers
- ◊ Roadline Series features multi-dimensional design in 3", 6" and 9" widths for front and 3" and 6" widths for rear
- ◊ Increases tire clearance while adding unique style to JK Wranglers
- ◊ Smooth flush underside helps prevent mud and debris from accumulating in wheel well.
- ◊ Textured Black Powder coat finish with 5 year limited warranty
- ◊ Jeep JK Wrangler Steel Fenders sold in pairs of front and pairs of rear fenders



TRAILLINE



ROADLINE



NEW LIFT ASSIST WITH BUMPER



Jeep JK Wrangler Lift Assist Tire Carrier is a swing away tire carrier that allows user to lower the spare tire with a hand crank. The tire can be lowered and raised as needed without strain on body. This back-saving product is ideal for use with any spare tire-original factory size or oversize offroad tires.

Features:

- ◊ Bumper mounted Lift Assist Tire Carrier comes paired up with choice of 3 Go Rhino rear Bumper options
- ◊ Lift Assist Tire Carrier mounts directly to bumper and swings away when needed
- ◊ Tire carrier can be raised or lowered with hand crank or cordless drill
- ◊ Enclosed gears are protected from exterior elements
- ◊ Quick release pins allow ease of use when lowering tire or securing tire carrier when vehicle is moving
- ◊ Black Textured Powder coat finish with 5 year limited warranty



1" hex nut uses common tire iron or 1" socket on cordless drill to raise and lower tire

NEW LIFT ASSIST FOR TAILGATE



Lift Assist for Tailgate Hinges allows use with factory and aftermarket bumpers. Lift Assist Tire Carrier mounts to factory tailgate hinges. Tire carrier swings open with tailgate and can be raised or lowered with supplied hand crank or cordless drill. Enclosed gears are protected from exterior elements. Quick release pins allow ease of use when lowering tire or securing tire carrier when vehicle is moving. Black Textured Powder coat finish with 5 year limited warranty.

Features:

- ◊ Lift Assist for Tailgate Hinges allows use with factory and aftermarket bumpers
- ◊ Lift Assist Tire Carrier mounts to factory tailgate hinges
- ◊ Tire carrier swings open with tailgate and can be raised or lowered with hand crank or cordless drill
- ◊ Enclosed Gears are protected from exterior elements
- ◊ Quick release pins allow ease of use when lowering tire or securing tire carrier when vehicle is moving
- ◊ Black Textured Powder coat finish with 5 year limited warranty

GO RHINO OVERLAND RACK KITS



OVERLAND RACKS FOR 2DR AND 4DR JEEP JK WRANGLER

Customize your adventure with the Go Rhino Overhead Overland Rack system. Overland Rack system combines overhead cargo management with front facing lighting options and rear taillight protection.

Overland Racks come complete with Go Rhino Windshield Light Frames and protective steel rear taillight covers. Overland Racks mount to windshield light frame in front and use taillight area to mount in rear of vehicle. Body to body mounting design improves load displacement integrity and makes for quieter driving and wheeling.

Mainframe is constructed of thick tubular steel and finished in a tough durable black textured powder coating.

Adjustable cross bars attach to steel C channel so cargo racks, tents, and gear boxes can be positioned as needed.

Choose from 4 windshield light frames with 4 different lighting variations:

- ◊ 4 Door JK Wrangler Unlimited with WLF mounting one 50" LED Light bar: Part # 59941500T
- ◊ 4 Door JK Wrangler Unlimited with WLF mounting eight 3" cube lights: Part # 59948300T
- ◊ 4 Door JK Wrangler Unlimited with WLF mounting four 3" cube lights and one 30" LED Light bar: Part # 59941343T
- ◊ 4 Door JK Wrangler Unlimited with WLF mounting two 3" cube lights and one 40" LED Light bar: Part # 59941423T
- ◊ 2 Door JK Wrangler with WLF mounting one 50" LED Light bar: Part # 59921500T
- ◊ 2 Door JK Wrangler with WLF mounting eight 3" cube lights: Part # 59928300T
- ◊ 2 Door JK Wrangler with WLF mounting four 3" cube lights and one 30" LED Light bar: Part # 59921343T
- ◊ 2 Door JK Wrangler with WLF mounting two 3" cube lights and one 40" LED Light bar: Part # 59921423T
- ◊ Go Rhino Overhead Overland racks require Go Rhino Windshield Light Frames to install and are sold complete with the WLF or without. Overland Overhead Racks without Windshield Light Frames:
 - ◊ 2 Door JK Wrangler Part # 5992000T
 - ◊ 4 Door JK Wrangler Unlimited Part # 5994000T



ROOF BASKETS CAN BE ADJUSTED FORWARD AND REARWARD



MOUNTS TO WLF IN FRONT



MOUNTS TO REAR TAIL LIGHT AREA



PRODUCT APPLICATION GUIDE

BR FRONT AND REAR BUMPERS

YEAR	MODEL	BR5.5	BR5	BR10.5	BR10
CHEVY					
15-18	Colorado	24277T			
14-15	Silverado 1500		24171T		
16-18	Silverado 1500	24174T			
11-14	Silverado 2500HD, 3500HD				24170T
15-18	Silverado 2500HD, 3500HD				24274T
FORD					
15-17	F-150		24295T		
17-18	F-150 Raptor	24297T			
2018	F-150	24395T			
11-16	F-250, F-350, F-450 Super Duty				24372T
17-18	F-250, F-350, F-450 Super Duty			24373T	
GMC					
16-18	Sierra 1500	24107T			
15-18	Sierra 2500HD, 3500HD			24260T	
NISSAN					
16-18	Titan, Titan XD			24923T	
RAM					
13-18	1500		24128T		
10-18	2500, 3500				24220T
TOYOTA					
16-17	Tacoma		24388T		
14-18	Tundra		24178T		

YEAR	MODEL	BR20	BR20 LIGHT PLATE (ACCESSORY)
CHEVY			
11-14	Silverado 2500HD, 3500HD	28169T	281731T (1)
15-18	Silverado 2500HD, 3500HD	28173T	281731T (1)
14-18	Silverado 1500	28171T	281731T (1)
FORD			
15-18	F-150	28295T	281731T (1)
17-18	F-150 Raptor	28297T	281731T (1)
11-16	F-250, F-350, F-450 Super Duty	28371T	281731T (1)
17-18	F-250, F-350, F-450 Super Duty	28373T	281731T (1)
GMC			
11-14	Sierra 2500HD, 3500HD	28169T	281731T (1)
15-18	Sierra 2500HD, 3500HD	28173T	281731T (1)
14-18	Sierra 1500	28171T	281731T (1)
NISSAN			
16-18	Titan, Titan XD	28923T	281731T (1)
RAM			
10-18	2500, 3500	28219T	281731T (1)
13-18	1500	28128T	281281T (3)
TOYOTA			
14-18	Tundra	28178T	281731T (1)

BR5 & BR10 Front Light Plate Accessory (Flush Mount Dually)	241731T
BR5 & BR10 Front Light Plate Accessory (Surface Mount Dually)	241732T
BR5 & BR10 Front Light Plate (Dually XL)	241733T
BR10 & BR10.5 Light Bar Accessory	26173T
BR5 Light Bar Accessory	26373T
BR5.5 Light Bar Accessory	26573T
BR5 Light Mount Bar Accessory (Ram 1500 ONLY)	26273T
BR5 Light Mount Bar Accessory (Tacoma ONLY)	26473T
Flush Mount Dually BR5 Front Light Plate Accessory (Tacoma ONLY)	243881T
Surface Mount Dually BR5 Front Light Plate Accessory (Tacoma ONLY)	243882T
Dually XL BR5 Front Light Plate (Tacoma ONLY)	243883T
BR5.5 & BR10.5 Front Light Plate Accessory (Dually)	241742T
BR5.5 & BR10.5 Front Light Plate (Dually XL)	241743T
Thumb Screw Kit Accessory	241731T-1

1. For use with Rigid D-series flush mount LED lights. (Not included)

3. For use with Rigid SR-Q or compatible flush-mount lights (Not included)

RB SERIES RUNNING BOARDS

YEAR	MODEL	CAB	RB10	RB10 WITH 2 PAIRS OF DROP STEPS	RB20	RB20 WITH 2 PAIRS OF DROP STEPS
CHEVROLET/GMC						
15-18	Colorado / Canyon	Crew	63423580	6342358020	69423580	6942358020
14-18	Silverado / Sierra 1500	Crew	63404787	6340478720	69404787	6940478720
14-18	Silverado / Sierra 1500	Double	63405880	6340588020	69405880	6940588020
15-18	Silverado / Sierra 2500HD, 3500HD (2)	Double	63405880	6340588020	69405880	6940588020
15-18	Silverado / Sierra 2500HD, 3500HD (1)	Double	63404280	6340428020	69404280	6940428020
15-18	Silverado / Sierra 2500HD, 3500HD (2)	Crew	63404787	6340478720	69404787	6940478720
15-18	Silverado / Sierra 2500HD, 3500HD (1)	Crew	63405187	6340518720	69405187	6940518720
DODGE						
09-14	Ram 1500	Quad	63409980	6340998020	69409980	6940998020
09-14	Ram 1500	Crew	63410687	6341068720	69410687	6941068720
15-18	Ram 1500	Quad	63429980	6342998020	69429980	6942998020
15-18	Ram 1500	Crew	63420687	6342068720	69420687	6942068720
10-18	Ram 2500, 3500	Crew	63410687	6341068720	69410687	6941068720
FORD						
15-18	F-150	SuperCrew	63415587	6341558720	69415587	6941558720
04-14	F-150	SuperCab	63412680	6341268020	69412680	6941268020
04-14	F-150	SuperCrew	63415087	6341508720	69415087	6941508720
99-16	F-250, F-350	Crew	63418087	6341808720	69418087	6941808720
99-16	F-250	Super Cab	63417680	6341768020	69417680	6941768020
17-18	F-250, F-350	Crew	63415587	6341558720	69415587	6941558720
JEEP						
07-17	Wrangler (3)	2 Door	63492648	6349264810	69492648	6949264810
07-17	Wrangler Unlimited	4 Door	63450568	6345056820	69450568	6945056820
TOYOTA						
05-18	Tacoma	Double	63442987	6344298720	69442987	6944298720
07-18	Tundra	CrewMax	63441687	6344168720	69441687	6944168720
07-18	Tundra	Double	63441580	6344158020	69441580	6944158020
	RB Drop Step (Angled)		63410000			
	RB Drop Step (Straight)				69410000	
ADD DESIGNATED FINISH CODE: T: TEXTURED BEDLINER COATING, PC: TEXTURED POWDER COAT			T, PC	T, PC	T, PC	T, PC

1. Diesel only, 2. Gasoline only, 3. Only one pair of drop steps included

OE XTREME SIDE STEPS – INDIVIDUAL BARS & BRACKETS

YEAR	MODEL	CAB	BRACKET KIT	LENGTH (INCHES)	4" OE XTREME	5" LOW PROFILE	5" COMPOSITE	6" OE XTREME	6" OE EXTREME II
CHEVROLET / GMC									
07-13	Avalanche	–	6840455	80	640080	650080	680080	660080	660180
04-12	Colorado / Canyon	Crew	684034	80	640080	650080	680080	660080	660180
15-18	Colorado / Canyon	Crew	6840355	80	640080	650080	680080	660080	660180
07-15	Silverado / Sierra 1500	Regular	6840455	52	640052	650052		660052	660152
07-13	Silverado / Sierra 1500	Extended	6840465 (1)	80	640080	650080	680080	660080	660180
07-18	Silverado / Sierra 1500	Crew	6840465 (1)	87	640087	650087	680087	660087	660187
14-18	Silverado / Sierra 1500	Double	6840465 (1)	80	640080	650080	680080	660080	660180
99-06	Silverado / Sierra 1500, 1500HD 2500HD, 3500HD	Extended	6840405	80	640080	650080	680080	660080	660180
ADD DESIGNATED FINISH CODE: T: TEXTURE, PS: POLISHED STAINLESS, B: COMPOSITE BLACK, C: COMPOSITE CHROME					T, PS	T, PS	B, C	T, PS	T, PS

1. 4 brackets per side, 2. Gasoline only, 3. Diesel only

OE XTREME SIDE STEPS – INDIVIDUAL BARS & BRACKETS

YEAR	MODEL	CAB	BRACKET KIT	LENGTH (INCHES)	4" OE XTREME	5" LOW PROFILE	5" COMPOSITE	6" OE XTREME	6" OE XTREME II
01-06	Silverado / Sierra 1500, 1500HD 2500HD, 3500	Crew	6840495	87	640087	650087	680087	660087	660187
07-10	Silverado / Sierra 2500HD, 3500HD	Regular	6840455	52	640052	650052		660052	660152
11-15 (2)	Silverado / Sierra 2500HD, 3500HD	Regular	6840455	52	640052	650052		660052	660152
07-10	Silverado / Sierra 2500HD, 3500HD	Extended	6840455	80	640080	650080	680080	660080	660180
11-13 (3)	Silverado / Sierra 2500HD, 3500HD	Extended	6840405	80	640080	650080	680080	660080	660180
11-13 (2)	Silverado / Sierra 2500HD, 3500HD	Extended	6840455	80	640080	650080	680080	660080	660180
07-10	Silverado / Sierra 2500HD, 3500HD	Crew	6840455	87	640087	650087	680087	660087	660187
11-14 (3)	Silverado / Sierra 2500HD, 3500HD	Crew	6840495	87	640087	650087	680087	660087	660187
11-14 (2)	Silverado / Sierra 2500HD, 3500HD	Crew	6840455	87	640087	650087	680087	660087	660187
15-18 (2)	Silverado / Sierra 2500HD, 3500HD	Crew	6840465 (1)	87	640087	650087	680087	660087	660187
15-18 (3)	Silverado / Sierra 2500HD, 3500HD	Crew	6840435	87	640087	650087	680087	660087	660187
15-18 (2)	Silverado / Sierra 2500HD, 3500HD	Double	6840465 (1)	80	640080	650080	680080	660080	660180
15-18 (3)	Silverado / Sierra 2500HD, 3500HD	Double	6840425 (1)	80	640080	650080	680080	660080	660180
DODGE									
09-18	Ram 1500	Regular	6840995	52	640052	650052		660052	660152
02-08	Ram 1500	Quad	6840975	87	640087	650087	680087	660087	660187
15-18	Ram 1500	Quad	6843995	80	640080	650080	680080	660080	660180
15-18	Ram 1500	Crew	6843995	87	640087	650087	680087	660087	660187
09-14	Ram 1500	Quad	6840995	80	640080	650080	680080	660080	660180
09-14	Ram 1500	Crew	6840995	87	640087	650087	680087	660087	660187
10-18	Ram 2500, 3500	Regular	6840995	52	640052	650052		660052	660152
03-09	Ram 2500, 3500	Quad	6840975	87	640087	650087	680087	660087	660187
10-18	Ram 2500, 3500	Crew	6840995	87	640087	650087	680087	660087	660187
06-09	Ram 2500, 3500	Mega	6840975	96				660096	
10-18	Ram 2500, 3500	Mega	6840995	96				660096	
FORD									
15-18	F-150	Regular	6841555	52	640052	650052		660052	660152
15-18	F-150	SuperCab	6841565	80	640080	650080	680080	660080	660180
15-18	F-150	SuperCrew	6841555	87	640087	650087	680087	660087	660187
04-14	F-150	Regular	6841265	52	640052	650052		660052	660152
04-14	F-150	SuperCab	6841265	80	640080	650080	680080	660080	660180
04-14	F-150	SuperCrew	6841265	87	640087	650087	680087	660087	660187
17-18	F-250, F-350 Super Duty	Regular	6841555	52	640052	650052		660052	660152
17-18	F-250, F-350 Super Duty	Super Cab	6841555	80	640080	650080	680080	660080	660180
17-18	F-250, F-350 Super Duty	Crew	6841555	87	640087	650087	680087	660087	660187
99-16	F-250, F-350 Super Duty	Regular	6841805	52	640052	650052		660052	660152
99-16	F-250, F-350 Super Duty	Super Cab	6841805	80	640080	650080	680080	660080	660180
99-16	F-250, F-350 Super Duty	Crew	6841805	87	640087	650087	680087	660087	660187
NISSAN									
04-15	Titan	King	6843515	80	640080	650080	680080	660180	660180
04-15	Titan	Crew	6843515	87	640087	650087	680087	660187	660187
TOYOTA									
05-18	Tacoma	Double	6844295	87	640087	650087	680087	660187	660187
07-18	Tundra	Regular	6844155	52	640052	650052		660052	660052
07-18	Tundra	Double	6844155	80	640080	650080	680080	660180	660180
07-18	Tundra	CrewMax	6844155	87	640087	650087	680087	660187	660187
ADD DESIGNATED FINISH CODE:					T, PS	T, PS	B, C	T, PS	T, PS
T: TEXTURE, PS: POLISHED STAINLESS, B: COMPOSITE BLACK, C: COMPOSITE CHROME									

1. 4 brackets per side, 2. Gasoline only, 3. Diesel only

1000 SERIES SIDE STEPS

YEAR	MODEL	CAB	BRACKET KIT	LENGTH (INCHES)	4" 1000 SERIES	4" 1000 SERIES KIT	5" 1000 SERIES	5" 1000 SERIES KIT
CHEVROLET / GMC								
07-13	Avalanche	-	6840455	80	10480	104404580	10580	105404580
04-12	Colorado / Canyon	Crew	684034	80	10480	104403580	10580	105403580
15-18	Colorado / Canyon	Crew	6840355	80	10480	104403480	10580	105403480
07-13	Silverado / Sierra 1500	Extended	6840465 (4)	80	10480	104404580	10580	105404580
07-13	Silverado / Sierra 1500	Extended	6840465 (1)	80	10480	104404680	10580	105404680
07-18	Silverado / Sierra 1500	Crew	6840465 (1)	87	10487	104404687	10587	105404687
14-18	Silverado / Sierra 1500	Double	6840465 (1)	80	10480	104404680	10580	105404680
99-06	Silverado / Sierra 1500, 1500HD 2500HD, 3500HD	Extended	6840405	80	10480	104404080	10580	105404080
01-06	Silverado / Sierra 1500, 1500HD 2500HD, 3500	Crew	6840495	87	10487	104404987	10587	105404987
07-10	Silverado / Sierra 2500HD, 3500HD	Extended	6840455	80	10480	104404580	10580	105404580
11-13 (3)	Silverado / Sierra 2500HD, 3500HD	Extended	6840405	80	10480	104404080	10580	105404080
11-13 (2)	Silverado / Sierra 2500HD, 3500HD	Extended	6840455	80	10480	104404580	10580	105404580
07-10	Silverado / Sierra 2500HD, 3500HD	Crew	6840455	87	10487	104404587	10587	105404587
11-14 (3)	Silverado / Sierra 2500HD, 3500HD	Crew	6840495	87	10487	104404987	10587	105404987
11-14 (2)	Silverado / Sierra 2500HD, 3500HD	Crew	6840455	87	10487	104404587	10587	105404587
15-18 (2)	Silverado / Sierra 2500HD, 3500HD	Crew	6840465 (1)	87	10487	104404687	10587	105404687
15-18 (3)	Silverado / Sierra 2500HD, 3500HD	Crew	6840435	87	10487	104404387	10587	105404387
15-18 (2)	Silverado / Sierra 2500HD, 3500HD	Double	6840465 (1)	80	10480	104404680	10580	105404680
15-18 (3)	Silverado / Sierra 2500HD, 3500HD	Double	6840425 (1)	80	10480	104404280	10580	105404280
DODGE								
02-08	Ram 1500	Quad	6840975	87	10487	104409787	10587	105409787
09-14	Ram 1500	Quad	6840995	80	10480	104409980	10580	105409980
09-14	Ram 1500	Crew	6840995	87	10487	104409987	10587	105409987
15-18	Ram 1500	Quad	6843995	80	10480	104439980	10580	105439980
15-18	Ram 1500	Crew	6843995	87	10487	104439987	10587	105439987
03-09	Ram 2500, 3500	Quad	6840975	87	10487	104409787	10587	105409787
10-18	Ram 2500, 3500	Crew	6840995	87	10487	104409987	10587	105409987
FORD								
15-18	F-150	SuperCab	6841565	80	10480	104415680	10580	105415680
15-18	F-150	SuperCrew	6841555	87	10487	104415587	10587	105415587
04-14	F-150	SuperCab	6841265	80	10480	104412680	10580	105412680
04-14	F-150	SuperCrew	6841265	87	10487	104412687	10587	105412687
17-18	F-250, F-350 Super Duty	Super Cab	6841555	80	10480	104415580	10580	105415580
17-18	F-250, F-350 Super Duty	Crew	6841555	87	10487	104415587	10587	105415587
99-16	F-250, F-350 Super Duty	Super Cab	6841805	80	10480	104418080	10580	105418080
99-16	F-250, F-350 Super Duty	Crew	6841805	87	10487	104418087	10587	105418087
NISSAN								
04-15	Titan	King	6843515	80	10480	104435180	10580	105435180
04-15	Titan	Crew	6843515	87	10487	104435187	10587	105435187
TOYOTA								
05-18	Tacoma	Double	6844295	87	10487	104442987	10587	105442987
07-18	Tundra	Double	6844155	80	10480	104441580	10580	105441580
07-18	Tundra	CrewMax	6844155	87	10487	104441587	10587	105441587
ADD DESIGNATED FINISH CODE: T: TEXTURE, PS: POLISHED STAINLESS						T, PS	T, PS	T, PS

1. 4 brackets per side, 2. Gasoline only, 3. Diesel only, 4. 3 Brackets per side

1000 Series Kits include bars, brackets and installation hardware.

OE XTREME FOR SUVs

YEAR	MODEL	BRACKETS	LENGTH (INCHES) OE XTREME	4"	5" LOW PROFILE
BUICK					
08-13	Enclave	6840675	75	640075	650075
CHEVROLET					
09-16	Traverse	6840675	75	640075	650075
DODGE					
10-14	Durango	6842395	75	640075	65075
09-18	Journey	6841105	75	640075	650075
FORD					
13-15	Escape	6841335	67	640067	650067
11-18	Explorer	6841365	75	640075	650075
GMC					
08-16	Acadia	6840675	71	640071	650071
HONDA					
12-14	CR-V	6848145	67	640067	650067
JEEP					
11-18	Grand Cherokee (2)	6842395	71	640071	650071
KIA / HYUNDAI					
15-18	Sorento	6849045	71	640071	650071
11-13	Sorento (1)	6849025	67		650067
15-16	Sportage / Tucson	6849040	67	640067	650067
11-13	Sportage / Tucson	6849035	67	640067	650067
NISSAN					
08-13	Rogue	6843405	71	640071	650071
TOYOTA					
06-12	RAV4	6844085	67		650067
13-18	RAV4	6844095	71		650067
ADD DESIGNATED FINISH CODE:				T, PS	T, PS
T: TEXTURED BLACK, PS: POLISHED STAINLESS					

1. Excludes SX models, 2. Not designed for SRT8 High Altitude & Summit models

6-INCH OE XTREME SIDE STEPS WHEEL-TO-WHEEL

YEAR	MODEL	CAB	BED LENGTH (FEET)	BAR LENGTH (INCHES)	BRACKETS	6" STAINLESS STEP	6" TEXTURED BLACK STEP
CHEVROLET / GMC							
07-10	Silverado / Sierra 2500HD, 3500HD	Extended	6.5'	104"	6840456	660104PS	660104T
07-10	Silverado / Sierra 2500HD, 3500HD	Extended	8'	112"	6840456	660112PS	660112T
11-13	Silverado / Sierra 2500HD, 3500HD	Extended	6.5'	104"	6840406 (2)	660104PS	660104T
11-13	Silverado / Sierra 2500HD, 3500HD	Extended	8'	112"	6840406 (2)	660112PS	660112T
11-13	Silverado / Sierra 2500HD, 3500HD	Extended	6.5'	104"	6840456 (1)	660104PS	660104T
11-13	Silverado / Sierra 2500HD, 3500HD	Extended	8'	112"	6840456 (1)	660112PS	660112T
07-10	Silverado / Sierra 2500HD, 3500HD	Crew	6.5'	112"	6840456	660112PS	660112T
07-10	Silverado / Sierra 2500HD, 3500HD (3)	Crew	8'	124"	6840456	660124PS	660124T
11-14	Silverado / Sierra 2500HD, 3500HD	Crew	6.5'	112"	6840496 (2)	660112PS	660112T
11-14	Silverado / Sierra 2500HD, 3500HD (3)	Crew	8'	124"	6840496 (2)	660124PS	660124T
11-14	Silverado / Sierra 2500HD, 3500HD	Crew	6.5'	112"	6840456 (1)	660112PS	660112T
11-14	Silverado / Sierra 2500HD, 3500HD (3)	Crew	8'	124"	6840456 (1)	660124PS	660124T
15-18	Silverado / Sierra 2500HD, 3500HD	Crew	6.5'	112"	6840436	660112PS	660112T

1. Gasoline only, 2. Diesel only, 3. Except Dually

6-INCH OE XTREME SIDE STEPS WHEEL-TO-WHEEL

YEAR	MODEL	CAB	BED LENGTH (FEET)	BAR LENGTH (INCHES)	BRACKETS	6" STAINLESS STEP	6" TEXTURED BLACK STEP
DODGE							
10-13	Ram 2500HD	Crew	6.4'	104"	6840996	660104PS	660104T
10-13	Ram 2500HD (3)	Crew	8'	124"	6840996	660124PS	660124T
10-12	Ram 3500HD	Crew	6.4'	104"	6840996	660104PS	660104T
10-12	Ram 2500HD (3)	Crew	8'	124"	6840996	660124PS	660124T
FORD							
08-16	F-250, F-350 Super Duty	Crew	6.75'	112"	6841806	660112PS	660112T
08-16	F-250, F-350 Super Duty (3)	Crew	8'	124"	6841806	660124PS	660124T
08-16	F-250, F-350 Super Duty	Super Cab	6.75'	96"	6841806	661096PS	661096T
08-16	F-250, F-350 Super Duty	Super Cab	8'	112"	6841806	660112PS	660112T

1. Gasoline only, 2. Diesel only, 3. Except Dually

SIDE STEPS CAB LENGTH - COMPLETE KITS

YEAR	MODEL	CAB	4000 SERIES	415 SERIES	4" OE XTREME	5" COMPOSITE	5"OE XTREME LOW PROFILE	6" OE XTREME	6" OE XTREME II	DOMINATOR D2	DOMINATOR D4
BUICK											
08-13	Enclave	-			684406775		685406775				
CHEVROLET											
02-06	Avalanche 1500 (1)	-	4021								
07-13	Avalanche	-			684404580	685404580	685404580	686404580	6862404580		
92-94	Blazer Full size	-	4059								
95-01	Blazer	-	4056								
88-98	C / K Series	Regular	4059								
88-98	C / K Series 2 dr.	Extended	4061								
97-98	C / K Series 3 dr.	Extended	4062								
92-00	C / K Series	Crew	4065								
15-18	Colorado	Crew	4237		684403580	685403580	685403580	686403580	6862403580	D24235	
04-12	Colorado	Extended	4033								
04-12	Colorado	Crew	4034		684403480	685403480	685403480	686403480	6862403480		
95-01	S-10	SUV	4056								
82-03	S-10	Extended	4072								
01-03	S-10	Crew	4080								
99-15	Silverado 1500, 2500, 2500HD, 3500	Regular	4035								
07-18	Silverado 1500	Regular	4035		684404552		685404552	686404552	6862404552		
07-10	Silverado 2500HD, 3500HD	Regular	4035		684404552		685404552	686404552	6862404552		
11-18	Silverado 2500HD, 3500HD (2)	Regular	4035		684404552		685404552	686404552	6862404552		
99-06	Silverado 1500, 1500HD, 2500HD, 3500 (3)	Extended	4045	67044	684404080	685404080	685404080	686404080	6862404080	D24040	D44044
07-13	Silverado 1500	Extended	4045	67045	684404680	685404680	685404680	686404680	6862404680	D24041	D44045
07-10	Silverado 2500HD, 3500HD (4)	Extended	4045	67045	684404680	685404680	685404680	686404680	6862404680	D24041	D44045
11-13	Silverado 2500HD, 3500HD (2)	Extended	4045	67045	684404580	685404580	685404580	686404580	6862404580	D24041	D44045
11-13	Silverado 2500HD, 3500HD (5)	Extended	4045	67044	684404080	685404080	685404080	686404080	6862404080		D44044
ADD DESIGNATED FINISH CODE: B: BLACK, C: CHROME, T: TEXTURE, PS: POLISHED STAINLESS, CB: COMPOSITE BLACK, CC: COMPOSITE CHROME			B, C, PS	T, PS	T, PS	CB, CC	T, PS	T, PS	T, PS	T, PS	T, PS

1. With and without cladding, 2. Gasoline only, 3. Includes 2007 Classic models, 4. Gasoline and Diesel, 5. Diesel only

SIDE STEPS CAB LENGTH - COMPLETE KITS

YEAR	MODEL	CAB	4000 SERIES	415 SERIES	4" OE XTREME	5" COMPOSITE	5"OE XTREME LOW PROFILE	6" OE XTREME	6" OE XTREME II	DOMINATOR D2	DOMINATOR D4
14-18	Silverado 1500	Double	4058	67049	684404680	685404680	685404680	686404680	6862404680	D24043	D44043
15-18	Silverado 2500HD, 3500HD (2)	Double	4058	67049	684404680	685404680	685404680	686404680	6862404680	D24043	D44043
15-16	Silverado 2500HD, 3500HD (5)	Double	4058		684404280	685404280	685404280	686404280	6862404280	D24044	
04-06	Silverado 1500 (3)	Crew	4047	67046	684404987	685404987	685404987	686404987	6862404987	D24049	D44046
07-13	Silverado 1500	Crew	4047	67047	684404687	685404687	685404687	686404687	6862404687	D24050	D44047
14-18	Silverado 1500	Crew	4077	67048	684404687	685404687	685404687	686404687	6862404687	D24052	D44048
01-06	Silverado 1500HD (3)	Crew	4047	67046	684404987	685404987	685404987	686404987	6862404987	D24049	
01-06	Silverado 2500HD, 3500 (3)	Crew	4047	67046	684404987	685404987	685404987	686404987	6862404987	D24049	
07-10	Silverado 2500HD, 3500HD	Crew	4047	67047	684404687	685404687	685404687	686404687	6862404687	D24050	D44047
11-14	Silverado 2500HD, 3500HD (2)	Crew	4047	67047	684404687	685404687	685404687	686404687	6862404687	D24050	D44047
15-18	Silverado 2500HD, 3500HD (2)	Crew	4077	67048	684404687	685404687	685404687	686404687	6862404687	D24052	D44048
11-14	Silverado 2500HD, 3500HD (5)	Crew	4047	67046	684404987	685404987	685404987	686404987	6862404987	D24051	D44046
15-16	Silverado 2500HD, 3500HD (5)	Crew	4077	67051	684404387	685404387	685404387	686404387	6862404387	D24051	D44050
92-99	Suburban	-	4052								
00-06	Suburban 1/2 Ton	-	4021								
95-99	Tahoe	-	4059								
95-99	Tahoe (6)	-	4024								
00-05	Tahoe	-	4025								
99-04	Tracker	-	4027								
02-08	TrailBlazer (7)	-	4057								
09-16	Traverse	-			684406775		685406775				
CHRYSLER											
07-09	Aspen	-	4101								
DODGE											
97-04	Dakota	Regular	4102								
00-04	Dakota	Club	4103								
00-04	Dakota	Quad	4108								
05-11	Dakota	Club	4093								
05-11	Dakota	Quad	4091								
98-03	Durango	-	4100								
04-09	Durango	-	4101								
11-14	Durango	-	4104		684423971		685423971				
09-18	Journey	-	4110		684411075		685411075				
94-01	Ram 1500, 2500, 3500	Regular	4088								
02-08	Ram 1500	Regular	4089								
09-18	Ram 1500	Regular	4094		684409952		685409952	686409952	6862409952		
03-09	Ram 2500, 3500	Regular	4089								
10-13	Ram 2500	Regular	4094		684409952		685409952	686409952	6862409952		
10-12	Ram 3500	Regular	4094		684409952		685409952	686409952	6862409952		
94-01	Ram 1500, 2500, 3500	Club & Quad	4096								
ADD DESIGNATED FINISH CODE: B: BLACK, C: CHROME, T: TEXTURE, PS: POLISHED STAINLESS, CB: COMPOSITE BLACK, CC: COMPOSITE CHROME			B, C, PS	T, PS	T, PS	CB, CC	T, PS	T, PS	T, PS	T, PS	T, PS

2. Gasoline only, 3. Includes 2007 Classic models, 4. Gasoline and Diesel, 5. Diesel only, 6. Excludes LS models, 7. Standard length only. Excludes XL models

SIDE STEPS CAB LENGTH - COMPLETE KITS

YEAR	MODEL	CAB	4000 SERIES	415 SERIES	4" OE XTREME	5" COMPOSITE	5"OE XTREME LOW PROFILE	6" OE XTREME	6" OE XTREME II	DOMINATOR D2	DOMINATOR D4
02-08	Ram 1500, 2500, 3500 (03-09)	Quad	4097	67097	684409787	685409787	685409787	686409787	6862409787	D24097	D44097
09-14	Ram 1500	Quad	4099	67099	684409980	685409980	685409980	686409980	6862409980	D24099	D44099
15-18	Ram 1500	Quad	4299	67299	684439980	685439980	685439980	686439980	6862439980	D24299	D44299
09-14	Ram 1500	Crew	4106	67106	684409987	685409987	685409987	686409987	6862409987	D24105	D44106
15-18	Ram 1500	Crew	4206	67206	684439987	685439987	685439987	686439987	6862439987	D24205	D44206
10-18	Ram 2500, 3500	Crew	4109	67106 (25)	684409987	685409987	685409987	686409987	6862409987	D24105	D44108
06-09	Ram 1500	Mega	4098							D24098	
06-09	Ram 2500, 3500	Mega	4098					686409796 (24)		D24098	
10-13	Ram 2500	Mega	4107							D24107	
10-12	Ram 3500	Mega	4107							D24107	
10-15	Ram 2500, 3500	Mega						686409996 (24)			
FORD											
08-12	Escape	-	4134								
13-15	Escape	-			684413367		685413367				
97-02	Expedition	-	4160								
95-01	Explorer	-	4152								
02-05	Explorer	-	4157								
06-10	Explorer	-	4135								
11-18	Explorer	-			684413675		685413675				
80-96	F Series, Bronco	Regular	4128								
80-96	F Series	Super Cab	4133								
80-98	F Series	Crew	4148								
97-03	F-150, F-250LD (8)	Regular	4120								
04-08	F-150	Regular	4121		684412652		685412652	686412652	6862412652		
09-14	F-150	Regular	4122		684412652		685412652	686412652	6862412652		
15-18	F-150	Regular			684415552		685415552	686415552	6862415552		
97-98	F-150 3 drs.	SuperCab								D24125	
99-03	F-150, F-250LD (8)	SuperCab	4125							D24125	
04-08	F-150	SuperCab	4126	67126	684412680	685412680	685412680	686412680	6862412680	D24126	D44126
09-14	F-150	SuperCab	4127	67126	684412680	685412680	685412680	686412680	6862412680	D24126	D44126
15-18	F-150, F-150 Raptor	SuperCab	4156	67127	684415680	685415680	685415680	686415680	6862415680	D24156	D44156
01-03	F-150 (8)	SuperCrew								D24149	
04-08	F-150	SuperCrew	4150	67150	684412687	685412687	685412687	686412687	6862412687	D24150	D44150
09-14	F-150	SuperCrew	4151	67151	684412687	685412687	685412687	686412687	6862412687	D24151	D44151
15-18	F-150, F-150 Raptor	SuperCrew	4155	67155	684415587	685415587	685415587	686415587	6862415587	D24155	D44155
17-18	F-250, F-350 Super Duty	Regular			684415552		685415552	686415552	6862415552		
17-18	F-250, F-350 Super Duty	Super Cab	4156		684415580	685415580	685415580	686415580	6862415580	D24156	D44177
17-18	F-250, F-350 Super Duty	Crew	4155	67155	684415587	685415587	685415587	686415587	6862415587	D24155	D44155
99-16	F-250, F-350 Super Duty	Regular	4172		684418052		685418052	686418052	6862418052		
99-16	F-450, F-550 Super Duty	Regular	4172								
ADD DESIGNATED FINISH CODE: B: BLACK, C: CHROME, T: TEXTURE, PS: POLISHED STAINLESS, CB: COMPOSITE BLACK, CC: COMPOSITE CHROME			B, C, PS	T, PS	T, PS	CB, CC	T, PS	T, PS	T, PS	T, PS	T, PS

2. Gasoline only, 3. Includes 2007 Classic models, 4. Gasoline and Diesel, 5. Diesel only, 6. Excludes LS models, 7. Standard length only. Excludes XL models, 8. Includes 2004 Heritage models

SIDE STEPS CAB LENGTH - COMPLETE KITS

YEAR	MODEL	CAB	4000 SERIES	415 SERIES	4" OE XTREME	5" COMPOSITE	5"OE XTREME LOW PROFILE	6" OE XTREME	6" OE XTREME II	DOMINATOR D2	DOMINATOR D4
99-16	F-250, F-350 Super Duty	Super Cab	4176	67176	684418080	685418080	685418080	686418080	6862418080	D24176	D44176
99-16	F-250, F-350 Super Duty	Crew	4180	67180	684418087	685418087	685418087	686418087	6862418087	D24180	D44180
99-16	F-450, F-550 Super Duty	Crew	4180								
82-97	Ranger	Regular	4139								
98-11	Ranger	Regular	4143								
98-09	Ranger	Super Cab	4144								
82-97	Ranger	Super Cab	4142								
99-11	Ranger, Ranger Edge	Super Cab	4154								
01-05	Sport Trac	-	4140								
GMC											
08-16	Acadia	-			684406771		685406771				
88-99	C / K Series	Regular	4059								
88-98	C / K Series	Extended	4061								
97-98	C / K Series	Extended	4062								
92-00	C / K Series	Crew	4065								
15-18	Canyon	Crew	4237		684403580	685403580	685403580	686403580	6862403580	D24235	
04-12	Canyon	Extended	4033								
04-12	Canyon	Crew	4034		684403480	685403480	685403480	686403480	6862403480		
02-06	Envoy XL	-	4066								
95-01	Jimmy	-	4056								
99-06	Sierra 1500, 1500HD, 2500, 2500HD, 3500 (3)	Regular	4035								
07-18	Sierra 1500	Regular	4035		684404552		685404552	686404552	6862404552		
07-10	Sierra 2500HD, 3500HD	Regular	4035		684404552		685404552	686404552	6862404552		
11-18	Sierra 2500HD, 3500HD (2)	Regular	4035		684404552		685404552	686404552	6862404552		
99-06	Sierra 1500, 2500HD, 3500 3 & 4 drs (3)	Extended	4045	67044	684404080	685404080	685404080	686404080	6862404080	D24040	D44044
07-13	Sierra 1500 3 & 4 drs	Extended	4045	67045	684404680	685404680	685404680	686404680	6862404680	D24041	D44045
99-06	Sierra 1500, 2500HD	Extended	4045	67044	684404080	685404080	685404080	686404080	6862404080		D44044
07-10	Sierra 2500HD, 3500HD	Extended	4045	67045	684404680	685404680	685404680	686404680	6862404680	D24041	D44045
11-13	Sierra 2500HD, 3500HD (2)	Extended	4045	67045	684404680	685404680	685404680	686404680	6862404680	D24041	D44045
11-13	Sierra 2500HD, 3500HD (5)	Extended	4045		684404080	685404080	685404080	686404080	6862404080		D44044
04-06	Sierra 1500 (3)	Crew	4047		684404987	685404987	685404987	686404987	6862404987	D24049	D44046
07-13	Sierra 1500	Crew	4047	67047	684404687	685404687	685404687	686404687	6862404687	D24050	D44047
14-18	Sierra 1500	Crew	4047	67048	684404687	685404687	685404687	686404687	6862404687	D24052	D44048
01-06	Sierra 1500HD (3)	Crew			684404987	685404987	685404987	686404987	6862404987	D24049	
99-06	Sierra 1500, 1500HD, 2500, 2500HD, 3500	Crew	4047								
01-06	Sierra 2500HD, 3500 (3)	Crew	4047		684404987	685404987	685404987	686404987	6862404987	D24049	
07-10	Sierra 2500HD, 3500HD	Crew	4047	67047	684404687	685404687	685404687	686404687	6862404687	D24050	D44047
ADD DESIGNATED FINISH CODE: B: BLACK, C: CHROME, T: TEXTURE, PS: POLISHED STAINLESS, CB: COMPOSITE BLACK, CC: COMPOSITE CHROME			B, C, PS	T, PS	T, PS	CB, CC	T, PS	T, PS	T, PS	T, PS	T, PS

2. Gasoline only, 3. Includes 2007 Classic models, 4. Gasoline and Diesel, 5. Diesel only

SIDE STEPS CAB LENGTH - COMPLETE KITS

YEAR	MODEL	CAB	4000 SERIES	415 SERIES	4" OE XTREME	5" COMPOSITE	5"OE XTREME LOW PROFILE	6" OE XTREME	6" OE XTREME II	DOMINATOR D2	DOMINATOR D4
11-14	Sierra 2500HD, 3500HD (2)	Crew	4047	67047	684404687	685404687	685404687	686404687	6862404687	D24050	D44047
15-18	Sierra 2500HD, 3500HD (2)	Crew	4047	67048	684404687	685404687	685404687	686404687	6862404687	D24052	D44048
11-14	Sierra 2500HD, 3500HD (5)	Crew	4047	67046	684404987	685404987	685404987	686404987	6862404987	D24051	D44046
14-18	Sierra 1500	Double	4058	67049	684404680	685404680	685404680	686404680	6862404680	D24043	D44043
15-18	Sierra 2500HD, 3500HD (2)	Double	4058	67049	684404680	685404680	685404680	686404680	6862404680	D24043	D44043
15-16	Sierra 2500HD, 3500HD (5)	Double	4058		684404280	685404280	685404280	686404280	6862404280		
92-99	Yukon	-	4059								
95-99	Yukon (6)	-	4024								
92-99	Yukon XL	-	4052								
00-05	Yukon	-	4025								
00-06	Yukon XL 1/2 Ton	-	4021								
HONDA											
12-15	CR-V	-	4814		684481467		685481467				
98-02	Passport	-	4221								
06-14	Ridgeline	-	4811								
HUMMER											
02-10	H2 SUV	-	4208								
05-10	H3	-	4207								
ISUZU											
98-02	Rodeo	-	4221								
JEEP											
84-01	Cherokee Sport	-	4236								
92-98	Grand Cherokee (10)	-	4232								
11-18	Grand Cherokee	-	4239		684423971		685423971				
02-07	Liberty	-	4244								
08-13	Liberty 2WD (11)	-	4923								
87-06	Wrangler (12)	-	4241								
05-06	Wrangler (13)	-	4922								
07-17	Wrangler (14)	-	4924							D24505	
07-17	Wrangler (15)	-	4926								
KIA / HYUNDAI											
11-13	Sorento (16)	-			684490267		685490267				
16-17	Sportage / Tucson	-			684490467		685490467				
11-13	Sportage / Tucson	-			684490367		685490367				
MAZDA											
82-97	B Series	Regular	4139								
82-97	B Series	Super Cab	4142								
98-09	B Series	Super Cab	4144								
98-11	B Series	Regular	4143								
MERCURY											
95-01	Mountaineer	-	4152								
NISSAN											
02-04	Frontier	Crew	4348								
ADD DESIGNATED FINISH CODE:											
B: BLACK, C: CHROME, T: TEXTURE, PS: POLISHED STAINLESS, CB: COMPOSITE BLACK, CC: COMPOSITE CHROME			B, C, PS	T, PS	T, PS	CB, CC	T, PS	T, PS	T, PS	T, PS	T, PS

2. Gasoline only, 5. Diesel only, 6. Excludes LS models, 10. Excludes Laredo models, 11. Excludes Sport models, 12. Excludes Unlimited and Unlimited Rubicon models, 13. Unlimited and Unlimited Rubicon models only, 14. Unlimited models only. Includes Sport, S, X, Sahara, Rubicon, X, COD: MW3 models (All Models Without Factory Rock Rails), 15. Designed for Sport, S, X, Sahara, Rubicon, X, & COD: MW3 models (All Models Without Factory Rock Rails), 16. Excludes SX models,

SIDE STEPS CAB LENGTH - COMPLETE KITS

YEAR	MODEL	CAB	4000 SERIES	415 SERIES	4" OE XTREME	5" COMPOSITE	5"OE XTREME LOW PROFILE	6" OE XTREME	6" OE XTREME II	DOMINATOR D2	DOMINATOR D4
05-18	Frontier	Crew	4347								
02-04	Frontier	King	4356								
05-14	Frontier	King	4346								
86-97	Pick Up (17)	King	4344								
08-13	Rogue	-			684434071		685434071				
04-15	Titan (18)	Crew	4351	67351	684435187	685435187	685435187	686435187	6862435187	D24351	D44351
04-15	Titan	King	4353		684435180	685435180	685435180	686435180	6862435180	D24352	
99-04	X-Terra	-	4352								
05-13	X-Terra (19)	-	4335								
OLDSMOBILE											
96-01	Bravada	-	4056								
TOYOTA											
90-95	4Runner (20)	-	4407								
96-98	4Runner	-	4424								
10-18	4Runner	-	4426 (21)	67427 (27)							
07-14	FJ Cruiser	-	4445							D24445	
89-94	Pick Up 2WD	Regular	4410								
13-18	RAV4	-			684440967		685440967				
95-98	T100	Extended	4412								
95-04	Tacoma 4WD	Regular	4409								
95-04	Tacoma 4WD	Extended	4428								
05-18	Tacoma	Access	4412							D24411	
01-04	Tacoma	Crew	4438								
05-18	Tacoma	Double	4431	67429	684442987	685442987	685442987	686442987	6862442987	D24429	
07-18	Tundra	Regular	4405		684441552		685441552	686441552	6862441552		
99-06	Tundra	Access	4418								
04-06	Tundra	Double	4414								
07-18	Tundra	Double	4415	67415	684441580	685441580	685441580	686441580	6862441580	D24415	D44415
07-18	Tundra	CrewMax	4416	67416	684441587	685441587	685441587	686441587	6862441587	D24416	D44416
ADD DESIGNATED FINISH CODE: B: BLACK, C: CHROME, T: TEXTURE, PS: POLISHED STAINLESS, CB: COMPOSITE BLACK, CC: COMPOSITE CHROME			B, C, PS	T, PS	T, PS	CB, CC	T, PS	T, PS	T, PS	T, PS	T, PS

17. Nissan D21 chassis trucks, 18. Short bed only, 19. Not designed to work with mud flaps, 20. Rear leaf suspension only, 21. Designed for 2010-2013 SR5 & 2010-2015 Limited models, 27. Designed for 2010-2015 Trail models, 2014-2015 SR5 models, & 2015 TRD Pro models

SIDE STEPS WHEEL-TO-WHEEL

YEAR	MODEL	CAB	BED LENGTH (FEET)	6000 SERIES ONE PIECE	6000 SERIES ONE PIECE WITH KICK OUT	DOMINATOR D3 MODULAR	DOMINATOR D3 ONE PIECE
CHEVROLET / GMC							
01-06	Silverado / Sierra 1500 3&4 drs (1)	Extended	6.5'	61035		D36038	D360381
07-13	Silverado / Sierra 1500	Extended	6.5'	61035		D36039	D360391
01-06	Silverado / Sierra 1500HD, 2500HD, 3500 (1)	Extended	6.5'			D36038	D360381
99-13	Silverado / Sierra 2500 3&4 drs	Extended	6.5'	61035			
ADD DESIGNATED FINISH CODE: B: BLACK, PS: POLISHED STAINLESS, MB: MODULAR BLACK, MC: MODULAR CHROME, T: TEXTURED BLACK				B, PS	B, PS	T, PS	T, PS
Ships via:				Truck Freight	Truck Freight	Parcel	Truck Freight

1. Includes 2007 Classic models, 2. Gasoline and Diesel, 3. Gasoline only, 4. Diesel only, 6. Excludes Dually models

SIDE STEPS WHEEL-TO-WHEEL

YEAR	MODEL	CAB	BED LENGTH (FEET)	6000 SERIES ONE PIECE	6000 SERIES ONE PIECE WITH KICK OUT	DOMINATOR D3 MODULAR	DOMINATOR D3 ONE PIECE
07-10	Silverado / Sierra 2500HD, 3500HD (2)	Extended	6.5'			D36039	D360391
11-13	Silverado / Sierra 2500HD, 3500HD (3)	Extended	6.5'			D36039	D360391
00-06	Silverado / Sierra 1500 (1)	Extended	8' (6)	62036			
07-13	Silverado / Sierra 1500	Extended	8' (6)	62036			
01-06	Silverado / Sierra 1500HD, 2500HD, 3500 (1)	Extended	8' (6)	62036			
07-10	Silverado / Sierra 2500HD, 3500HD	Extended	8' (6)	62036			
11-13	Silverado / Sierra 2500HD, 3500HD (3)	Extended	8' (6)	62036			
11-13	Silverado / Sierra 2500HD, 3500HD (4)	Extended	8' (6)	62036			
00-07	Silverado / Sierra 3500	Extended	8' (6)	62036			
99-06	Silverado / Sierra 1500 (1)	Crew	5.8'	61088			
07-13	Silverado / Sierra 1500	Crew	5' 8"	61088		D36088	D360881
14-17	Silverado / Sierra 1500	Crew	5' 8"	61090		D36090	D360901
01-14	Silverado / Sierra 1500HD	Crew	6.5'	61089			
01-06	Silverado / Sierra 2500HD, 3500 (1)	Crew	6.5'	61089		D36074	D360741
07-10	Silverado / Sierra 2500HD, 3500HD (2)	Crew	6.5'	61089		D36077	D360771
11-14	Silverado / Sierra 2500HD, 3500HD (3)	Crew	6.5'	61089		D36077	D360771
11-16	Silverado / Sierra 2500HD, 3500HD (4)	Crew	6.5'	61089		D36078	D360761
15-18	Silverado / Sierra 2500HD, 3500HD (2)	Crew	6.57'	61091			
01-06	Silverado / Sierra 2500HD, 3500 (1)	Crew	8' (6)	61064	62064		
01-14	Silverado / Sierra 2500HD, 3500	Crew	8' (6)	61064	62064		
07-10	Silverado / Sierra 2500HD, 3500HD	Crew	8' (6)	61064	62064	D36081	D360811
11-14	Silverado / Sierra 2500HD, 3500HD (3)	Crew	8' (6)	61064	62064	D36081	D360811
11-14	Silverado / Sierra 2500HD, 3500HD (4)	Crew	8' (6)	61064	62064	D36082	D360821
01-14	Silverado / Sierra 3500HD (1)	Crew	8' (6)	61064	62064		
DODGE							
02-08	Ram 1500	Quad	6.4'	61128		D36128	D361281
09-14	Ram 1500	Quad	6.4'	61127		D36127	D361271
15-18	Ram 1500	Quad	6.4'	61227		D36227	D362271
03-09	Ram 2500, 3500	Quad	6.4'	61128		D36128	D361281
02-08	Ram 1500	Quad	8' (6)	61146		D36146	D361461
03-09	Ram 2500, 3500	Quad	8' (6)	61146	62146	D36146	D361461
09-14	Ram 1500	Crew	5.7'	61147		D36147	D361471
15-18	Ram 1500	Crew	5.7'	61247		D36247	D362471
14-15	Ram 1500	Crew	6.4'			D36150	D361501
10-18	Ram 2500, 3500	Crew	6.4'	61150		D36150	D361501
10-13	Ram 2500	Crew	8' (6)	62149		D36149	D361491
ADD DESIGNATED FINISH CODE: B: BLACK, PS: POLISHED STAINLESS, MB: MODULAR BLACK, MC: MODULAR CHROME, T: TEXTURED BLACK				B, PS	B, PS	T, PS	T, PS
Ships via:				Truck Freight	Truck Freight	Parcel	Truck Freight

1. Includes 2007 Classic models, 2. Gasoline and Diesel, 3. Gasoline only, 4. Diesel only, 6. Excludes Dually models

SIDE STEPS WHEEL-TO-WHEEL

YEAR	MODEL	CAB	BED LENGTH (FEET)	6000 SERIES ONE PIECE	6000 SERIES ONE PIECE WITH KICK OUT	DOMINATOR D3 MODULAR	DOMINATOR D3 ONE PIECE
10-12	Ram 3500	Crew	8' (6)	62149		D36149	D36149I
10-13	Ram 2500	Mega	6.4'	61130		D36130	D36130I
10-12	Ram 3500	Mega	6.4'	61130		D36130	D36130I
06-09	Ram 1500, 2500, 3500	Mega	6.4'	61129		D36129	D36129I
FORD							
09-14	F-150	SuperCab	6.5'	61248			
15-18	F-150	SuperCab	6.5'				D36258I
04-14	F-150	SuperCab	6.5'	61248		D36248	D36248I
09-14	F-150	SuperCrew	5.5'	61249		D36249	D36249I
15-18	F-150	SuperCrew	5.5'	61155			D36255I
15-18	F-150	SuperCrew	6.5'	61157			D36257I
17-18	F-250, F-350 Super Duty	Crew	6.75'	61157			D36257I
99-16	F-250, F-350 Super Duty	Super Cab	6.75'	61256			D36256I
99-16	F-250, F-350 Super Duty	Super Cab	8' (6)	62250		D36250	D36250I
99-16	F-250, F-350 Super Duty	Crew	6.75'	61262		D36262	D36262I
99-16	F-250, F-350 Super Duty	Crew	8' (6)	61268	62268	D36268	D36268I
TOYOTA							
07-18	Tundra	Double	6.5'	61415			
ADD DESIGNATED FINISH CODE: B: BLACK, PS: POLISHED STAINLESS, MB: MODULAR BLACK, MC: MODULAR CHROME, T: TEXTURED BLACK				B, PS	B, PS	T, PS	T, PS
Ships via:				Truck Freight	Truck Freight	Parcel	Truck Freight

1. Includes 2007 Classic models, 2. Gasoline and Diesel, 3. Gasoline only, 4. Diesel only, 6. Excludes Dually models

DOMINATOR D6

YEAR	MODEL	CAB	PART NUMBER
CHEVROLET/GMC			
15-18	Colorado / Canyon	Crew	D64235T
14-18	Silverado / Sierra 1500	Crew	D64052T
07-13	Silverado / Sierra 1500	Crew	D64050T
14-18	Silverado / Sierra 1500	Double	D64043T
07-13	Silverado / Sierra 1500	Extended	D64041T
15-18	Silverado / Sierra 2500HD, 3500HD (2)	Double	D64043T
15-16	Silverado / Sierra 2500HD, 3500HD (1)	Double	D64044T
11-13	Silverado / Sierra 2500HD, 3500HD (2)	Extended	D64041T
07-10	Silverado / Sierra 2500HD, 3500HD	Extended	D64041T
15-18	Silverado / Sierra 2500HD, 3500HD (2)	Crew	D64052T
11-14	Silverado / Sierra 2500HD, 3500HD (2)	Crew	D64050T
11-16	Silverado / Sierra 2500HD, 3500HD (1)	Crew	D64051T
07-10	Silverado / Sierra 2500HD, 3500HD	Crew	D64050T
DODGE			
09-14	Ram 1500	Quad	D64099T
09-14	Ram 1500	Crew	D64105T
15-18	Ram 1500	Quad	D64299T
15-18	Ram 1500	Crew	D64205T
10-18	Ram 2500, 3500	Crew	D64105T

YEAR	MODEL	CAB	PART NUMBER
10-13	Ram 2500	Mega	D64107T
10-12	Ram 3500	Mega	D64107T
FORD			
15-18	F-150	SuperCab	D64156T
15-18	F-150	SuperCrew	D64155T
04-14	F-150	SuperCab	D64126T
09-14	F-150	SuperCrew	D64151T
04-08	F-150	SuperCrew	D64150T
01-03	F-150 (4)	SuperCrew	D64149T
97-03	F-150 (4)	SuperCab	D64125T
99-16	F-250, F-350	Crew	D64180T
99-16	F-250, F-350	Super Cab	D64176T
17-18	F-250, F-350	Crew	D64155T
17-18	F-250, F-350	Super Cab	D64177T
JEEP			
07-17	Wrangler	2 Door	D64926T
07-17	Wrangler Unlimited	4 Door	D64505T
NISSAN			
04-15	Titan	Crew	D64351T
16-18	Titan, Titan XD	Crew	D64354T

1. Diesel only, 2. Gasoline only, 3. Includes 2007 Classic models, 4. Includes 2004 Heritage models

DOMINATOR D6

YEAR	MODEL	CAB	PART NUMBER
TOYOTA			
05-18	Tacoma	Double	D64429T
05-18	Tacoma	Access	D64411T
07-18	Tundra	CrewMax	D64416T
04-06	Tundra	Double	D64414T
07-18	Tundra	Double	D64415T
	Pair of Drop Steps		D6410000T

RC2 LR BULL BARS

YEAR	MODEL	BRACKETS ONLY	2 LIGHT FRAME ONLY	2 LIGHT KIT (1)	4 LIGHT FRAME ONLY	4 LIGHT KIT (1)	20" LIGHT FRAME ONLY	20" LIGHT KIT (1)
CHEVY								
07-13	Avalanche	55165	55321	55162	55341	55164	55311	55161
15-18	Colorado	55145	55326	55142	55346	55144	55316	55141
07-13	Silverado 1500	55165	55321	55162	55341	55164	55311	55161
14-15	Silverado 1500	55185	55321	55182	55341	55184	55311	55181
16-18	Silverado 1500	55285	55321	55282	55341	55284	55311	55281
03-06	Silverado 1500, 2500 LD	55055	55326	55052	55346	55054	55316	55051
03-06	Silverado 2500HD, 3500HD	55045	55326	55042	55346	55044	55316	55041
07-18	Silverado 2500HD, 3500HD	55175	55321	55172	55341	55174	55311	55171
07-14	Tahoe, Suburban	55165	55321	55162	55341	55164	55311	55161
DODGE								
06-08	Ram 1500	55635	55326	55632	55346	55634	55316	55631
09-18	Ram 1500	55645	55326	55642	55346	55644	55316	55641
02-05	Ram 1500, 2500, 3500	55615	55321	55612	55341	55614	55311	55611
06-09	Ram 2500, 3500	55635	55326	55632	55346	55634	55316	55631
10-18	Ram 2500HD, 3500HD	55655	55321	55652	55341	55654	55311	55651
FORD								
97-03	F-150	55865	55326	55862	55346	55864	55316	55861
04-08	F-150	55875	55326	55872	55346	55874	55316	55871
04-05	F-150	55865	55326	55862	55346	55864	55316	55861
09-18	F-150	55885	55326	55882	55346	55884	55316	55881
99-07	F-250, F-350, F-450 Super Duty	55965	55321	55962	55341	55964	55311	55961
08-16	F-250, F-350, F-450 Super Duty	55985	55321	55982	55341	55984	55311	55981
17-18	F-250, F-350 Super Duty	55735	55321	55732	55341	55734	55311	55731
GMC								
15-18	Canyon	55145	55326	55142	55346	55144	55316	55141
07-13	Sierra 1500	55165	55321	55162	55341	55164	55311	55161
14-15	Sierra 1500	55195	55321	55192	55341	55194	55311	55191
03-06	Sierra 1500, 2500 LD	55055	55326	55052	55346	55054	55316	55051
03-06	Sierra 2500HD, 3500HD	55045	55326	55042	55346	55044	55316	55041
07-18	Sierra 2500HD, 3500HD	55175	55321	55172	55341	55174	55311	55171
TOYOTA								
05-15	Tacoma	55525	55326	55522	55346	55524	55316	55521
16-18	Tacoma	55545	55326	55542	55346	55544	55316	55541
07-18	Tundra / Sequoia	55535	55326	55532	55346	55534	55316	55531
ADD DESIGNATED FINISH CODE: T: TEXTURE, 11T, 12T: TEXTURE WITH LIGHTS LT: TEXTURE WITH GO RHINO LIGHTS			T	T, LT, 11T	T	T, LT, 11T	T	T, 12T

1. Complete Kits include Bull Bar and Brackets. Complete Kits are offered with or without lights included.

RC2 BULL BARS

YEAR	MODEL	BRACKETS ONLY	CLASSIC FRAME ONLY	CLASSIC KIT (1)	NEW FRAME ONLY	NEW KIT (1)
CHEVROLET						
07-13	Avalanche	55165	55301	5516	55361	55216
15-18	Colorado	55145	55306	5514	55366	55214
07-13	Silverado 1500	55165	55301	5516	55361	55216
14-15	Silverado 1500	55185	55301	5518	55361	55218
16-18	Silverado 1500	55285	55301	5528	55361	55228
03-06	Silverado 1500, 2500 LD	55055	55306	5505	55366	55205
03-06	Silverado 2500HD, 3500HD	55045	55306	5504	55366	55204
07-18	Silverado 2500HD, 3500HD	55175	55301	5517	55361	55217
07-14	Tahoe, Suburban	55165	55301	5516	55361	55216
DODGE						
06-08	Ram 1500	55635	55306	5563	55366	55263
09-18	Ram 1500	55645	55306	5564	55366	55264
02-05	Ram 1500, 2500, 3500	55615	55301	5561	55361	55261
06-09	Ram 2500, 3500	55635	55306	5563	55366	55263
10-18	Ram 2500HD, 3500HD	55655	55301	5565	55361	55265
FORD						
97-03	F-150	55865	55306	5586	55366	55286
04-05	F-150 Heritage	55865	55306	5586	55366	55286
04-08	F-150	55875	55306	5587	55366	55287
09-18	F-150	55885	55306	5588	55366	55288
99-07	F-250, F-350, F-450 Super Duty	55965	55301	5596	55361	55296
08-16	F-250, F-350, F-450 Super Duty	55985	55301	5598	55361	55298
17-18	F-250, F-350 Super Duty	55735	55301	5573	55361	55273
GMC						
15-18	Canyon	55145	55306	5514	55366	55214
07-13	Sierra 1500	55165	55301	5516	55361	55216
14-15	Sierra 1500	55195	55301	5519	55361	55219
03-06	Sierra 1500, 2500 LD	55055	55306	5505	55366	55205
03-06	Sierra 2500HD, 3500HD	55045	55306	5504	55366	55204
07-18	Sierra 2500HD, 3500HD	55175	55301	5517	55361	55217
TOYOTA						
05-15	Tacoma	55525	55306	5552	55366	55252
16-18	Tacoma	55545	55306	5554	55366	55254
07-18	Tundra / Sequoia	55535	55306	5553	55366	55253
ADD DESIGNATED FINISH CODE: T: TEXTURE, PS: POLISHED STAINLESS			T, PS	T, PS	T, PS	T, PS

1. Complete Kits include Bull Bar and Brackets

GRILLE GUARDS

YEAR	MODEL	3000 SERIES STEPGUARD	3000 SERIES WITH BRUSH GUARD	WRANGLER GUARD	WINCH GUARD
CHEVROLET					
07-13	Avalanche	3160	3160		
03-06	Avalanche 1500 (1)	3150	3150		
03-06	Avalanche 1500 (2)	3152	3152		
92-99	Blazer full size	3090	3090		
03-17	Express Van	3155	3155		
88-99	Pick Up	3090	3090		
98-04	S-10 4WD (3)	3140	3140		
98-04	S-Blazer 4WD (3)	3140	3140		
99-02	Silverado 1500	3093	3093		
03-06	Silverado 1500 (4)	3150	3150		23150
03-06	Silverado 1500 (5)	3152	3152		
07-13	Silverado 1500	3163	3163	13163	23163
14-15	Silverado 1500	3174	3174	13174	23165
15-18	Silverado 1500	3174	3174	13174	
01-02	Silverado 1500HD	3096	3096		
99-02	Silverado 2500	3096	3096		
03-06	Silverado 2500				23150
01-02	Silverado 2500HD, 3500	3097	3097		
03-06	Silverado 2500HD, 3500 (4)	3154	3154		
03-06	Silverado 2500HD, 3500 (5)	3157	3157		
07-10	Silverado 2500HD, 3500	3168	3168	13168	
11-14	Silverado 2500HD, 3500HD	3169	3169	13169	23169 (30)
15-18	Silverado 2500HD, 3500HD	3173	3173	13173	
92-99	Suburban 1 Ton	3090	3090		
00-06	Suburban 1500	3093	3093		
07-14	Suburban 1500 (7)	3160	3160		
00-06	Suburban 2500	3096	3096		
07-14	Suburban 2500	3161	3161		
95-99	Suburban, Tahoe	3090	3090		
00-06	Tahoe	3093	3093		
07-14	Tahoe (7)	3160	3160		
02-05	TrailBlazer	3075	3075		
DODGE					
97-04	Dakota	3195	3195		
98-03	Durango	3195	3195		
04-06	Durango (8)	3198	3198		
07-09	Durango (8)	3200	3200		
94-01	Ram 1500 (9)	3185	3185		
02-05	Ram 1500	3210	3210		
06-08	Ram 1500	3214	3214		
06-08	Ram 1500 (10)				23214
06-08	Ram 1500 (11)			13214	
09-18	Ram 1500			13218	23218
09-18	Ram 1500, 2500LD	3128	3128		
ADD DESIGNATED FINISH CODE: PS: POLISHED STAINLESS, B & MB: BLACK, C & MC: CHROME		B, C	MB, MC	B	B, MB
Ships via:		Parcel	Parcel	Truck Freight	Truck Freight

1. Without body cladding, 2. Without body cladding. Contour design, 3. Excludes ZR2 models, 4. Includes 2007 Classic models. Product has straight uprights, 5. Includes 2007 Classic models. Product has contoured uprights, 6. Gasoline & Diesel, 7. 3000 Series: Excludes Hybrid models, 8. Will lose tow hooks, 9. Excludes 99-02 Sport models, 10. Excludes Laramie, Diesel, HEMI V8 and Sport models, 30. This is an HD application which can fit up to a 16,500 lb. winch

GRILLE GUARDS

YEAR	MODEL	3000 SERIES STEPGUARD	3000 SERIES WITH BRUSH GUARD	WRANGLER GUARD	WINCH GUARD
94-02	Ram 2500, 3500 (9)	3185	3185		
03-05	Ram 2500, 3500	3213	3213		
06-09	Ram 2500, 3500 (12)	3215	3215		
06-09	Ram 2500, 3500 (13)	3215	3215	13214	
10-12	Ram 2500, 3500				23219 (30)
10-18	Ram 2500, 3500 (14)	3219	3219	13220	
FORD					
92-96	Bronco F-150	3315	3315		
03-07	E-150, E-250, E-350 Econoline Van	3320	3320		
08-14	E-250, E-350 Econoline Van	3324	3324		
99-07	Excursion 2WD			13364	
00-04	Excursion	3364	3364		
05-05	Excursion	3366	3366		
99-02	Expedition (15)	3363	3363		
03-06	Expedition	3285	3285		
07-14	Expedition (16)	3291	3291		
99-01	Explorer	3333	3333		
02-05	Explorer	3336	3336		
06-10	Explorer	3338	3338		
01-05	Explorer Sport / Sport Trac	3390	3390		
07-10	Explorer Sport Trac	3338	3338		
97-03	F-150				23363
99-03	F-150 (15)	3363	3363		
04-04	F-150	3363	3363		
04-05	F-150	3287	3287		23363
06-08	F-150	3289	3289		
04-08	F-150			13289	23289
09-14	F-150 (17)	3293	3293	13293	
09-14	F-150 (18)				23293
15-17	F-150	3295	3295	13295	23395
2018	F-150	3297	3297	13297	23397
92-97	F-250	3315	3315		
99-04	F-250, F-350 Super Duty (19)	3364	3364		23364
05-07	F-250, F-350 Super Duty	3366	3366		23366
08-10	F-250, F-350 Super Duty	3369	3369		
08-10	F-250, F-350, F-450 Super Duty			13369	
99-07	F-250, F-350, F-450 Super Duty (20)			13364	
11-16	F-250, F-350, F-450 Super Duty	3371	3371	13371	23371 (30)
2017	F-250, F-350 Super Duty	3373	3373		
92-98	F-350	3315	3315		
01-05	Ranger (21)	3378	3378		
GMC					
88-99	Pick Up	3090	3090		
03-07	Savanna Van	3155	3155		
ADD DESIGNATED FINISH CODE: PS: POLISHED STAINLESS, B & MB: BLACK, C & MC: CHROME		B, C	MB, MC	B	B, MB
Ships via:		Parcel	Parcel	Truck Freight	Truck Freight

9. Excludes 99-02 Sport models, 11. Designed for Laramie, ST, SLT, Sport and Diesel models, 12. Designed for ST and SLT models. Excludes Diesel, HEMI V8, Laramie, Sport and HD models, 13. Designed for Laramie, ST, SLT, Sport and Diesel models, 14. Includes 3500 Chassis-Cab, 15. 2WD Models require bumper fascia notching, 16. Excludes Limited & King Ranch equipped with front park assist, 17. Incl. EcoBoost V6. Excludes Raptor, Lariat Limited, Harley Davidson. 2WD models require bumper fascia notching, 18. Excludes Raptor, Lariat Limited, Harley Davidson, EcoBoost V6. 2WD models require bumper fascia notching, 19. Winch bumper: Excludes front spring suspension, 20. Wrangler: 2WD only, 21. Not designed for use with factory skid pan, 30. This is an HD application which can fit up to a 16,500 lb. winch

GRILLE GUARDS

YEAR	MODEL	3000 SERIES STEPGUARD	3000 SERIES WITH BRUSH GUARD	WRANGLER GUARD	WINCH GUARD
99-02	Sierra 1500	3105	3105		
07-13	Sierra 1500 (22)			13263	
03-06	Sierra 2500HD, 3500 (4)	3259	3259		
11-14	Sierra 2500HD, 3500HD			13269	
95-99	Yukon	3090	3090		
00-06	Yukon	3105	3105		
01-06	Yukon XL, Denali	3063	3063		
00-06	Yukon 1500	3105	3105		
JEEP					
99-03	Grand Cherokee	3616	3616		
02-04	Liberty	3645	3645		
LINCOLN					
98-02	Navigator		3825		
NISSAN					
04-07	Armada (25)	3921	3921		
04-13	Titan (26)	3921	3921		23921
TOYOTA					
99-02	4Runner	3723	3723		
06-14	FJ Cruiser		3830		
93-98	T100	3705	3705		
01-04	Tacoma	3813	3813		
05-11	Tacoma	3819	3819		
00-02	Tundra	3708	3708		
03-06	Tundra (21)	3711	3711		
07-13	Tundra	3716	3716	13713	23713
14-18	Tundra			13178	
ADD DESIGNATED FINISH CODE: PS: POLISHED STAINLESS, B & MB: BLACK, C & MC: CHROME		B, C	MB, MC	B	B, MB
Ships via:		Parcel	Parcel	Truck Freight	Truck Freight

4. Includes 2007 Classic models. Product has straight uprights, 21. Not designed for use with factory skid pan, 22. Wrangler: Excludes Denali models, 23. Gasoline only, 25. Without tow hooks, 26. Excludes S and XE models. 3000 series: Not for use with tow hooks.

XE50

YEAR	MODEL	3" VERSION	6" VERSION
CHEVROLET			
15-18	Colorado	56143T	56146T
16-18	Silverado 1500	56293T	56296T
DODGE			
09-18	Ram 1500	56643T	56646T
FORD			
15-18	F-150	56883T	56886T
NISSAN			
15-18	Titan	56223T	56226T
TOYOTA			
16-18	Tacoma	56543T	56546T
07-18	Tundra	56533T	56536T

RC3 LR SKID PLATE

YEAR	MODEL	WITH LIGHTS	WITHOUT LIGHTS
CHEVY			
15-18	Colorado	5614612T	561460T
16-18	Silverado 1500	5629612T	562960T
15-18	Silverado 2500HD, 3500HD	5617612T	561760T
DODGE			
09-18	Ram 1500	5668612T	566860T
10-18	Ram 2500HD, 3500HD	5665612T	566560T
FORD			
15-18	F-150	5688612T	568860T
11-16	F-250, F-350, F-450 Super Duty	5689612T	568960T
17-18	F-250, F-350 Super Duty	5698612T	569860T
NISSAN			
16-18	Titan	5622612T	562260T
TOYOTA			
16-18	Tacoma	5654612T	565460T
14-18	Tundra / Sequoia	5653612T	565360T

SPORT BAR 3.0

YEAR	MODEL	BED LENGTH (FEET)	BED STYLE	SPORT BAR 3.0
CHEVROLET				
15-18	Colorado	5'	Fleet side	915003
15-18	Colorado	6'	Fleet side	915003
14-18	Silverado 1500	5.8'	Fleet side	911003
14-18	Silverado 1500	6.5'	Fleet side	911003
14-18	Silverado 1500	8'	Fleet side	911003
DODGE				
09-18	Ram 1500	5.7'	Fleet side	911003
09-18	Ram 1500	6.4'	Fleet side	911003
09-18	Ram 1500	8'	Fleet side	911003
FORD				
15-18	F-150	5.7'	Style side	911003
15-18	F-150	6.7'	Style side	911003
15-18	F-150	8'	Style side	911003
GMC				
15-18	Canyon	5'	Fleet side	915003
15-18	Canyon	6'	Fleet side	915003
14-18	Sierra 1500	5.8'	Fleet side	911003
14-18	Sierra 1500	6.5'	Fleet side	911003
14-18	Sierra 1500	8'	Fleet side	911003
TOYOTA				
16-18	Tacoma	5.2'	Fleet side	915003
16-18	Tacoma	6.2'	Fleet side	915003
07-18	Tundra	5.7'	Fleet side	911003
07-18	Tundra	6.7'	Fleet side	911003
ADD DESIGNATED FINISH CODE: PS: POLISHED STAINLESS TUBES, T: TEXTURED BLACK				T, PS

INTERNATIONAL APPLICATIONS

YEAR	MODEL	6" OE XTREME II	5" OE XTREME COMPOSITE	5" OE XTREME LOW PROFILE	5" 1000 SERIES	4" 1000 SERIES	4000 SERIES
FORD/MAZDA							
13-18	Ranger / BT50	686236880	685036880	685036880	105036880	104036880	37368
MITSUBISHI							
16-18	L-200	686239980	685039980	685039980	105039980	104039980	37399
NISSAN							
16-18	NP300 Frontier	686235680	685035680	685035680	105035680	104035680	37356
TOYOTA							
16-18	Hilux Revo	686238480	685038480	685038480	105038480	104038480	37384
16-18	Tacoma	6862442987	685442987	685442987	105442987	104442987	37488
VOLKSWAGEN							
16-18	Amarok	6862000780	685000780	685000780	105000780	104000780	37007
GM/ISUZU							
16-17	S-10 / D-Max	686220480	685020480	685020480	105020480	104020480	37206
ADD DESIGNATED FINISH CODE: T: TEXTURE, PS: POLISHED STAINLESS, CC: COMPOSITE CHROME, CB: COMPOSITE BLACK, B: SEMI- GLOSS BLACK		T, PS	CB, CC	T, PS	T, PS	T, PS	B, PS

INTERNATIONAL APPLICATIONS

YEAR	MODEL	RC2	RC2 LR2	RC2 LR2 W/LIGHTS	RC2 LR4	RC2 LR4 W/LIGHTS	RC2 LR20	RC2 LR20 W/LIGHTS
FORD/MAZDA								
13-18	Ranger / BT50	552537	555372	555372L	555374	555374L	555371	555371L
MITSUBISHI								
16-18	L-200	552399	553992	553992L	553994	553994L	553991	553991L
NISSAN								
16-18	NP300 Frontier	552356	553562	553562L	553564	553564L	553561	553561L
TOYOTA								
16-18	Hilux Revo	552383	553832	553832L	553834	553834L	553831	553831L
16-18	Tacoma	55254	55542	55542L	55544	55544L	55541	55541L
VOLKSWAGEN								
16-18	Amarok	552007	550072	550072L	550074	550074L	550071	550071L
GM/ISUZU								
16-17	S-10 / D-Max	552277	552772	55277003	552774	552770034	552771	55277020
ADD DESIGNATED FINISH CODE: T: TEXTURE, PS: POLISHED STAINLESS		T, PS	T	T	T	T	T	T

YEAR	MODEL	BR5	BR5 LIGHT BAR	RC3 LR SKID PLATE	XE50 LR BRACKET KIT	XE50 LR LIGHT BAR 3"	XE50 LR LIGHT BAR 6"	EUROGUARD
FORD/MAZDA								
13-18	Ranger / BT50	24537	26473	5653760	5653713	56400	56700	50537
MITSUBISHI								
16-18	L-200	24299	26473	5639960	5639913	56400	56700	50399
NISSAN								
16-18	NP300 Frontier	24256	26473	562060	562013	56300	56600	50156
TOYOTA								
16-18	Hilux Revo	24383	26473	5638360	5638313	56600	56900	50484
16-18	Tacoma	24388	26473	565460	565413	56300	56600	50488
VOLKSWAGEN								
16-18	Amarok	24007	26473	5600760	5600713	56500	56800	50007
GM/ISUZU								
16-17	S-10 / D-Max	24277	26473	561460	561413	56400	56700	502775
ADD DESIGNATED FINISH CODE: T: TEXTURE, PS: POLISHED STAINLESS, 5: SEMI-GLOSS BLACK, 4: CHROME		T	T	T	T	T	T	5, 4

INTERNATIONAL APPLICATIONS

YEAR	MODEL	RB20	RB20 DROPSTEP	RB10	RB10 DROPSTEP	DOMINATOR D6	DOMINATOR D6 DROP STEP	DOMINATOR D2
FORD/MAZDA								
13-18	Ranger / BT50	69036880	69410000	63036880	63410000	D60368	D6410000	D20368
MITSUBISHI								
16-18	L-200	69039980	69410000	63039980	63410000	D60399	D6410000	D20399
NISSAN								
16-18	NP300 Frontier	69434980	69410000	63434980	63410000	D64349	D6410000	D24349
TOYOTA								
16-18	Hilux Revo	69443180	69410000	63443180	63410000	D64431	D6410000	D24431
16-18	Tacoma	69442987	69410000	63442987	63410000	D64429	D6410000	D24429
VOLKSWAGEN								
16-18	Amarok	69000780	69410000	63000780	63410000	D64007	D6410000	D20007
GM/ISUZU								
16-17	S-10 / D-Max	69020480	69410000	63020480	63410000	D60204	D6410000	D20204
ADD DESIGNATED FINISH CODE: T: PROTECTIVE BEDLINER COATING, PS: POLISHED STAINLESS, PC: TEXTURED POWDER COAT		PC, T	PC, T	PC, T	PC, T	T, PS	T, PS	T, PS

YEAR	MODEL	HITCH	TOWING KIT	SPORT BAR 2.0	POWER-ACTUATED SPORT BAR 2.0	SPORT BAR 3.0
FORD/MAZDA						
13-18	Ranger / BT50	65437	650DY	915105	915160	561000
MITSUBISHI						
16-18	L-200	65399	650DY	916000	916600	562000
NISSAN						
16-18	NP300 Frontier	65356	650DY	915105	915160	561000
TOYOTA						
16-18	Hilux Revo	65384	650DY	915105	915160	561000
16-18	Tacoma	65288	650DY	915000	915600	563000
VOLKSWAGEN						
16-18	Amarok	65505	650DY	916000	916600	562000
GM/ISUZU						
16-17	S-10 / D-Max	6593137	650DY	915105	915160	561000
ADD DESIGNATED FINISH CODE: T: TEXTURED POWDER COAT PS: POLISHED STAINLESS		-	-	T, PS	T, PS	T, PS

BED BARS - INDIVIDUAL COMPONENTS

YEAR	MODEL	BED LENGTH	BED STYLE	MAIN BAR	ADD-ON BARS	KICKERS BEHIND WHEEL WELLS	KICKERS BETWEEN WHEEL WELLS	KICKERS ON TOP WHEEL WELLS
CHEVROLET / GMC								
99-18	Silverado, Sierra	All	Fleet side	90002	90001		9560	
88-98	Pickup	Short	Fleet side	90002	90001	9590	9560	
88-98	Pickup	Long	Fleet side	90002	90001		9560	
88-98	Pickup	Short	Step side	92002	92001		9560	
73-87	Pickup	Short	Fleet side	90002	90001	9590	9560	9516
83-04	Sonoma Pickup	Short		91002	91001		9370	
83-04	Sonoma Pickup	Long		91002	91001		9370	
DODGE								
09-18	Ram 1500 (Except RamBox)	Standard and Long		90002	90001		9560	
10-18	Ram 2500, 3500 (Except RamBox)	Standard and Long		90002	90001		9560	
02-08	Ram 1500, 2500, 3500	Standard and Long		97002	97001		9560	
73-01	Ram	Short	Fleet side	90002	90001	9590	9560	9516
73-01	Ram	Long	Fleet side	90002	90001		9560	
FORD								
04-14	F-150		Style side	98002	98001	9530 (1)	9560	
97-03	F-150, F-250 Light Duty	Short and Long	Style side	93002	93001		9530	
97-03	F-150, F-250 Light Duty	Short	Flare side	93002	93001		9530	
99-16	F-250, F-350, F-450 Super Duty (Includes Dually)	All	Style side	96002	96001	9590	9560	
73-96	F-Series	Short	Style side	90002	90001	9590	9560	
73-96	F-Series	Long	Style side	90002	90001		9560	
73-96	F-Series		Flare side	92002	92001		9560	
82-11	Ranger	Short	Style side	91002	91001		9370	
82-11	Ranger	Long	Style side	91002	91001		9370	
NISSAN								
98-04	Frontier			91002	91001		9370	
83 1/2-97	Pickup	Short		91002	91001		9370	
86 1/2-97	Pickup	Long		91002	91001		9370	
TOYOTA								
79-95	Pickup	Short		91002	91001		9370	
79-95	Pickup	Long		91002	91001		9370	
95-04	Tacoma	Short		91002	91001		9370	
07-18	Tundra	6'6" and 8'		90002	90001		9560	
BAR ACCESSORIES								
	Light Bar, Auxiliary Light Not Included (2)				900			
	Triple Assembly Kit (3)(4)				600			
ADD DESIGNATED FINISH CODE: B: BLACK, C: CHROME, PS: POLISHED STAINLESS T: TEXTURED BLACK POWDER COAT					All bars available in all finishes: B, C, PS, T			

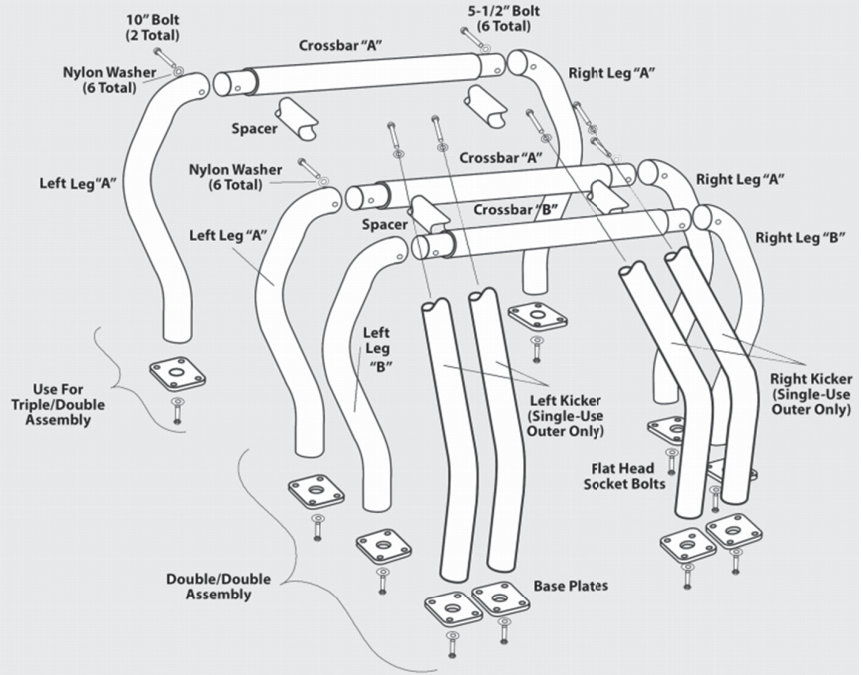
1. SuperCrew: Fits w/ single only, 2. Only available in Black and Stainless (B, PS, or T), 3. No finish code required, 4. Required on Triple configurations.

"Go Rhino Bed Bars" are for cosmetic applications and for mounting lights ONLY. They are not to be used as a roll bar or for protection in an accident. "Rhino Bed Bars" are not a product designed or manufactured to protect any vehicle or its occupants in the event of a vehicle rollover or accident.

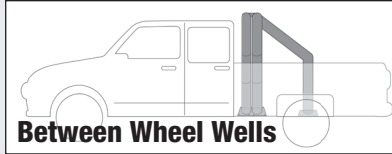
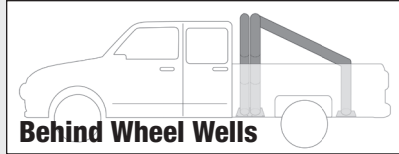
"Go Rhino Bed Bars" are vehicle application specific. In no way should this product be used for other than its specific application or be modified in any way. It must be installed specifically in the bed of the truck, never inside of the vehicle.

HOW TO ORDER BED BARS:

Single-Single	Parts Needed: 1 Main Bar, 1 set of kickers
Double-Single	Parts Needed: 1 Main Bar, 1 Optional Add-on Bar, 1 set of kickers
Double-Double	Parts Needed: 1 Main Bar, 1 Optional Add-on Bar, 2 sets of kickers
Triple-Single	Parts Needed: 1 Main Bar, 2 Optional Add-on Bars, 1 set of kickers, 1 Triple Assembly Kit
Triple-Double	Parts Needed: 1 Main Bar, 2 Optional Add-on Bars, 2 sets of kickers, 1 Triple Assembly Kit



SELECT BED BAR KICKER LOCATION:



BED BARS - COMPLETE KIT

YEAR	MODEL	BED LENGTH (FEET)	BED STYLE	KICKER'S POSITION	SINGLE SINGLE	DOUBLE SINGLE	DOUBLE DOUBLE	TRIPLE SINGLE	TRIPLE DOUBLE
CHEVROLET									
73-87	C / K Series	6.5'	Fleet side	Behind wheel wells	9009590SS	9009590DS		9009590TS	
73-87	C / K Series	6.5'	Fleet side	Between wheel wells	9009560SS	9009560DS	9009560DD	9009560TS	9009560TD
73-87	C / K Series	6.5'	Fleet side	Top of wheel wells	9009516SS	9009516DS		9009516TS	
88-98	C / K Series	6.5'	Fleet side	Behind wheel wells	9009590SS	9009590DS		9009590TS	
88-98	C / K Series	6.5'	Fleet side	Between wheel wells	9009560SS	9009560DS	9009560DD		9009560TD
88-98	C / K Series	6.5'	Step side	Between wheel wells	9209560SS	9209560DS	9209560DD		9209560TD
88-98	C / K Series	8'	Fleet side	Between wheel wells	9009560SS	9009560DS	9009560DD	9009560TS	9009560TD
91-04	Sonoma	7.4'	-	Between wheel wells	9109370SS	9109370DS	9109370DD	9109370TS	9109370TD
91-04	Sonoma	6'	-	Between wheel wells	9109370SS	9109370DS	9109370DD	9109370TS	9109370TD
99-18	Silverado	All	Fleet side	Between wheel wells	9009560SS	9009560DS	9009560DD	9009560TS	9009560TD
04-06	Silverado (1)	5.5'	Fleet side	Between wheel wells	9009560SS	9009560DS	9009560DD	9009560TS	9009560TD
07-18	Silverado	5.5'	Fleet side	Between wheel wells	9009560SS	9009560DS	9009560DD	9009560TS	9009560TD
07-13	Silverado	6.5'	Fleet side	Between wheel wells	9009560SS	9009560DS	9009560DD	9009560TS	9009560TD

ADD DESIGNATED FINISH CODE:

B: BLACK, C: CHROME, S: POLISHED STAINLESS, T: TEXTURED BLACK POWDER COAT

All bars available in all finishes: B, C, S, T

1. Includes 2007 Classic models

BED BARS - COMPLETE KIT

YEAR	MODEL	BED LENGTH (FEET)	BED STYLE	KICKER'S POSITION	SINGLE SINGLE	DOUBLE SINGLE	DOUBLE DOUBLE	TRIPLE SINGLE	TRIPLE DOUBLE
14-18	Silverado	6.5'	Fleet side	Between wheel wells	9009560SS	9009560DS	9009560DD	9009560TS	9009560TD
01-06	Silverado (1)	8'	Fleet side	Between wheel wells	9009560SS	9009560DS	9009560DD	9009560TS	9009560TD
07-13	Silverado	8'	Fleet side	Between wheel wells	9009560SS	9009560DS	9009560DD	9009560TS	9009560TD
14-18	Silverado	8'	Fleet side	Between wheel wells	9009560SS	9009560DS	9009560DD	9009560TS	9009560TD
14-18	Silverado 1500	5.8'	Fleet side	Between wheel wells	9009560SS	9009560DS	9009560DD	9009560TS	9009560TD
14-18	Silverado 1500	6.6'	Fleet side	Between wheel wells	9009560SS	9009560DS	9009560DD	9009560TS	9009560TD
14-18	Silverado 1500	8'	Fleet side	Between wheel wells	9009560SS	9009560DS	9009560DD	9009560TS	9009560TD
DODGE									
73-01	Ram	6.5'	Fleet side	Behind wheel wells	9009590SS	9009590DS		9009590TS	
73-01	Ram	6.5'	Fleet side	Between wheel wells	9009560SS	9009560DS	9009560DD	9009560TS	9009560TD
73-01	Ram	6.5'	Fleet side	Top of wheel wells	9009516SS	9009516DS		9009516TS	
73-01	Ram	8'	Fleet side	Between wheel wells	9009560SS	9009560DS	9009560DD	9009560TS	9009560TD
02-08	Ram 1500	6.5'	Fleet side	Between wheel wells	9709560SS	9709560DS	9709560DD		
02-08	Ram 1500	8'	Fleet side	Between wheel wells	9709560SS	9709560DS	9709560DD		
09-18	Ram 1500 (2)	8'	-	Between wheel wells	9009560SS	9009560DS	9009560DD	9009560TS	9009560TD
09-18	Ram 1500 (2)	5.6'	-	Between wheel wells	9009560SS	9009560DS	9009560DD	9009560TS	9009560TD
03-09	Ram 2500, 3500	6.4'	Fleet side	Between wheel wells	9709560SS	9709560DS	9709560DD		
10-18	Ram 2500, 3500 (2)	6.4'	Fleet side	Between wheel wells	9009560SS	9009560DS	9009560DD	9009560TS	9009560TD
03-09	Ram 2500, 3500	8'	Fleet side	Between wheel wells	9709560SS	9709560DS	9709560DD		
10-18	Ram 2500, 3500 (2)	8'	Fleet side	Between wheel wells	9009560SS	9009560DS	9009560DD	9009560TS	9009560TD
FORD									
73-96	F-Series	6.5'	Flare side	Between wheel wells	9209560SS	9209560DS	9209560DD	9209560TS	9209560TD
73-96	F-Series	6.7'	Style side	Behind wheel wells	9009590SS	9009590DS		9009590TS	
73-96	F-Series	6.7'	Style side	Between wheel wells	9009560SS	9009560DS	9009560DD	9009560TS	9009560TD
73-86	F-Series	8'	Style side	Between wheel wells	9009560SS	9009560DS	9009560DD	9009560TS	9009560TD
87-96	F-Series	8'	Style side	Between wheel wells	9009560SS	9009560DS	9009560DD	9009560TS	9009560TD
04-14	F-150 (3)	5.5'	Style side	Between wheel wells	9809560SS	9809560DS	9809560DD	9809560TS	9809560TD
04-14	F-150	6.5'	Style side	Behind wheel wells	9809530SS				
04-14	F-150	8'	Style side	Behind wheel wells	9809530SS				
97-03	F-150 / F-250 Light Duty (3)	6.5'	Style side	Between wheel wells	9309530SS	9309530DS	9309530DD	9309530TS	9309530TD
97-03	F-150 / F-250 Light Duty	6.5'	Flare side	Between wheel wells	9309530SS	9309530DS	9309530DD	9309530TS	9309530TD
97-03	F-150 / F-250 Light Duty	8'	Style side	Between wheel wells	9309530SS	9309530DS	9309530DD	9309530TS	9309530TD
99-15	F-250, F-350 Super Duty (4)	6.5'	Style side	Behind wheel wells	9609590SS	9609590DS		9609590TS	
99-16	F-250, F-350 Super Duty (4)	6.5'	Style side	Between wheel wells	9609560SS	9609560DS	9609560DD	9609560TS	9609560TD
99-16	F-250, F-350 Super Duty (4)	8'	Style side	Behind wheel wells	9609590SS	9609590DS		9609590TS	
99-16	F-250, F-350 Super Duty (4)	8'	Style side	Between wheel wells	9609560SS	9609560DS	9609560DD	9609560TS	9609560TD
99-16	F-450 Superduty (4)	All	Style side	Behind wheel wells	9609590SS	9609590DS		9609590TS	
99-16	F-450 Superduty (4)	All	Style side	Between wheel wells	9609560SS	9609560DS	9609560DD	9609560TS	9609560TD
82-11	Ranger	6'	Style side	Between wheel wells	9109370SS	9109370DS	9109370DD	9109370TS	9109370TD
82-11	Ranger	7'	Style side	Between wheel wells	9109370SS	9109370DS	9109370DD	9109370TS	9109370TD
GMC									
73-87	C / K Series	6.5'	Fleet side	Between wheel wells	9009560SS	9009560DS	9009560DD	9009560TS	9009560TD
73-87	C / K Series	6.5'	Fleet side	Behind wheel wells	9009590SS	9009590DS		9009590TS	
73-87	C / K Series	6.5'	Fleet side	Top of wheel wells	9009516SS	9009516DS		9009516TS	
88-98	C / K Series	6.5'	Fleet side	Behind wheel wells	9009590SS	9009590DS		9009590TS	

ADD DESIGNATED FINISH CODE:
 B: BLACK, C: CHROME, S: POLISHED STAINLESS, T: TEXTURED BLACK POWDER COAT

All bars available in all finishes: B, C, S, T

1. Includes 2007 Classic models, 2. Excludes Rambox models, 3. Excludes Super Crew models on Triple bed bar configuration, 4. Includes Dually models

BED BARS - COMPLETE KIT

YEAR	MODEL	BED LENGTH (FEET)	BED STYLE	KICKER'S POSITION	SINGLE SINGLE	DOUBLE SINGLE	DOUBLE DOUBLE	TRIPLE SINGLE	TRIPLE DOUBLE
88-98	C / K Series	6.5'	Fleet side	Between wheel wells	9009560SS	9009560DS	9009560DD	9009560TS	9009560TD
88-98	C / K Series	6.5'	Step side	Between wheel wells	9209560SS	9209560DS	9209560DD	9209560TS	9209560TD
88-98	C / K Series	8'	Fleet side	Between wheel wells	9009560SS	9009560DS	9009560DD	9009560TS	9009560TD
99-15	Sierra	All	Fleet side	Between wheel wells	9009560SS	9009560DS	9009560DD	9009560TS	9009560TD
04-06	Sierra (1)	5.5'	Fleet side	Between wheel wells	9009560SS	9009560DS	9009560DD	9009560TS	9009560TD
07-13	Sierra	5.5'	Fleet side	Between wheel wells	9009560SS	9009560DS	9009560DD	9009560TS	9009560TD
14-18	Sierra	5.5'	Fleet side	Between wheel wells	9009560SS	9009560DS	9009560DD	9009560TS	9009560TD
07-18	Sierra	6.5'	Fleet side	Between wheel wells	9009560SS	9009560DS	9009560DD	9009560TS	9009560TD
01-06	Sierra (1)	8'	Fleet side	Between wheel wells	9009560SS	9009560DS	9009560DD	9009560TS	9009560TD
07-18	Sierra	8'	Fleet side	Between wheel wells	9009560SS	9009560DS	9009560DD	9009560TS	9009560TD
14-18	Sierra 1500	5.8'	Fleet side	Between wheel wells	9009560SS	9009560DS	9009560DD	9009560TS	9009560TD
14-18	Sierra 1500	6.6'	Fleet side	Between wheel wells	9009560SS	9009560DS	9009560DD	9009560TS	9009560TD
14-18	Sierra 1500	8'	Fleet side	Between wheel wells	9009560SS	9009560DS	9009560DD	9009560TS	9009560TD
NISSAN									
83-97	Pick up	6.1'	Style side	Between wheel wells	9109370SS	9109370DS	9109370DD	9109370TS	9109370TD
86-97	Pick up	7.5'	Style side	Between wheel wells	9109370SS	9109370DS	9109370DD	9109370TS	9109370TD
98-04	Frontier	6.5'	Style side	Between wheel wells	9109370SS	9109370DS	9109370DD	9109370TS	9109370TD
TOYOTA									
79-95	Pick up	Long	Fleet side	Between wheel wells	9109370SS	9109370DS	9109370DD	9109370TS	9109370TD
79-95	Pick up	Short	Fleet side	Between wheel wells	9109370SS	9109370DS	9109370DD	9109370TS	9109370TD
95-04	Tacoma	6'	Fleet side	Between wheel wells	9109370SS	9109370DS	9109370DD	9109370TS	9109370TD
07-18	Tundra (5)	6.5'	-	Between wheel wells	9009560SS	9009560DS	9009560DD	9009560TS	9009560TD
07-18	Tundra	8'	-	Between wheel wells	9009560SS	9009560DS	9009560DD	9009560TS	9009560TD
ADD DESIGNATED FINISH CODE: B: BLACK, C: CHROME, S: POLISHED STAINLESS, T: TEXTURED BLACK POWDER COAT					All bars available in all finishes: B, C, S, T				

1. Includes 2007 Classic models, 5. Excludes CrewMax models

EXHAUST TIPS

INSIDE DIAMETER	LENGTH	OUTSIDE DIAMETER	APPLICATION NOTES	CHROME OVER STAINLESS	BLACK POWDER COAT OVER STAINLESS
2 1/2"	14"	4"	For 2 1/2" diameter exhaust tubes	GRT25414	GRT25414B
2 1/4"	14"	4"	For 2 1/4" diameter exhaust tubes	GRT225414	GRT225414B
2 1/4"	10"	3"	For 2 1/4" diameter exhaust tubes	GRT225310	GRT225310B
2 1/4"	6"	3"	For 2 1/4" diameter exhaust tubes	GRT22536	GRT22536B
2 3/4"	14"	4"	For 2 3/4" diameter exhaust tubes	GRT234414	GRT234414B
2 3/4"	10"	4"	For 2 3/4" diameter exhaust tubes	GRT234410	GRT234410B
2"	6"	3"	For 2" diameter exhaust tubes	GRT236	GRT236B
2"	10"	3"	For 2" diameter exhaust tubes	GRT2310	GRT2310B
3 1/2"	14"	5"	For 3 1/2" diameter exhaust tubes	GRT35514	GRT35514B
3 1/2"	14"	6"	For 3 1/2" diameter exhaust tubes	GRT35614	GRT35614B
3"	14"	4"	For 3" diameter exhaust tubes	GRT3414	GRT3414B
3"	10"	4"	For 3" diameter exhaust tubes	GRT3410	GRT3410B
4"	10"	5"	For 4" diameter exhaust tubes	GRT4510	GRT4510B
4"	14"	5"	For 4" diameter exhaust tubes	GRT4514	GRT4514B
4"	14"	6"	For 4" diameter exhaust tubes	GRT4614	GRT4614B
4"	(1)	5"	08-16 F-250, F-350 Super Duty	GRT45X2	GRT45X2B
2 1/2"	8"	4"	07-17 Jeep Wrangler JK		GRT21248FB

1. 2 Tips Set, No welding required

LIGHTNING SPORT BAR & STAKE POCKET BED RAILS

YEAR	MODEL	BED LENGTH (FEET)	BED STYLE	LIGHTNING SPORT BAR	BED RAILS	LED BED RAILS
CHEVROLET						
98-99	C / K Series	6.5'	Fleet side		8061	8061
98-99	C / K Series	6.5'	Fleet side		8061	8061
98-99	C / K Series	6.5'	Step side		8061	8061
98-99	C / K Series	8'	Fleet side		8268	8268
01-06	Silverado 1500, 1500HD, 2500, 2500HD, 3500 (1)	6.5'	Fleet side	510000	8128	8128
04-06	Silverado (1)	5.5'	Fleet side	510000	8037	8037
07-13	Silverado	5.5'	Fleet side		8039	8039
07-16	Silverado	5.5'	Fleet side	511000		
07-13	Silverado	6.5'	Fleet side	511000	8075	8075
14-18	Silverado	6.5'	Fleet side	511000		
01-06	Silverado (1)	8'	Fleet side	510000	8044	
07-13	Silverado	8'	Fleet side	511000	8044	
14-18	Silverado	8'	Fleet side	511000		
14-18	Silverado 1500	5.8'	Fleet side		8040	8040
14-18	Silverado 1500	6.6'	Fleet side		8076	8076
14-18	Silverado 1500	8'	Fleet side		8045	
15-18	Silverado 2500HD, 3500HD	6.6'			8076	8076
15-18	Silverado 2500HD, 3500HD	8'			8045	
DODGE						
73-01	Ram	6.5'	Fleet side		8128	8128
73-01	Ram	6.5'	Fleet side		8128	8128
73-01	Ram	6.5'	Fleet side		8128	8128
96-01	Ram	8'			8044	
02-08	Ram 1500	6.5'	Fleet side	520000	8128	8128
09-18	Ram 1500	6.5'	Fleet side	520000	8128	8128
02-08	Ram 1500	8'	Fleet side	520000	8146	
09-18	Ram 1500 (2)	8'	-	520000	8146	
00-01	Ram 1500 (2)	5.6'	-		8127	
95-02	Ram 2500	6.4'			8128	8128
03-09	Ram 2500, 3500	6.4'	Fleet side	520000	8128	8128
10-17	Ram 2500, 3500 (2)	6.4'	Fleet side	520000	8128	8128
03-09	Ram 2500, 3500	8'	Fleet side	520000	8146	
10-18	Ram 2500, 3500 (2)	8'	Fleet side	520000	8146	
FORD						
04-08	F-150	5.5'	Style side	533000		
09-14	F-150	5.5'	Style side	533000	8127	
97-03	F-150	6.5'	Style side	531000	8248	
2004	F-150 Heritage	6.5'	Style side	531000	8248	
04-14	F-150	6.5'	Style side	533000	8248	
97-03	F-150	8'	Style side	531000	8146	
2004	F-150 Heritage	8'	Style side	531000	8146	
04-14	F-150	8'	Style side	533000	8146	
99-16	F-250, F-350 Super Duty (4)	6.5'	Style side	530000	8248	
99-16	F-250, F-350 Super Duty (4)	6.5'	Style side	530000	8248	
99-16	F-250, F-350 Super Duty (4)	8'	Style side	530000	8268	
99-16	F-250, F-350 Super Duty (4)	8'	Style side	530000	8268	
98-01	Ranger	6'	Style side		8154	
ADD DESIGNATED FINISH CODE: B: BLACK, C: CHROME, 3, PS, & PSL: POLISHED STAINLESS, T & TL: TEXTURED BLACK				3, T	B, C, PS	PSL, TL

1. Includes 2007 Classic models, 2. Excludes Rambox models, 4. Includes Dually models, 5. Ships Parcel

LIGHTNING SPORT BAR & STAKE POCKET BED RAILS

YEAR	MODEL	BED LENGTH (FEET)	BED STYLE	LIGHTNING SPORT BAR	BED RAILS	LED BED RAILS
GMC						
88-98	C / K Series	8'	Fleet side		8268	
99-06	Sierra 1500, 1500HD, 2500, 2500HD, 3500 (1)	6.5'	Fleet side	510000	8128	8128
04-06	Sierra (1)	5.5'	Fleet side	510000	8037	
07-13	Sierra	5.5'	Fleet side	511000	8039	
14-18	Sierra	5.5'	Fleet side	511000		
07-13	Sierra	6.5'	Fleet side	511000	8075	
14-18	Sierra	6.5'	Fleet side	511000		
01-06	Sierra (1)	8'	Fleet side	510000	8044	
07-13	Sierra	8'	Fleet side	511000	8044	
14-18	Sierra	8'	Fleet side	511000		
14-18	Sierra 1500	5.8'	Fleet side	511000	8040	8040
14-18	Sierra 1500	6.6'	Fleet side	511000	8076	8076
NISSAN						
04-16	Titan Crew cab	5.5'		540000	8351	
TOYOTA						
05-15	Tacoma	5'		555000		
05-15	Tacoma	6'		555000		
95-05	Tundra	6.4'			8419	
04-06	Tundra Double Cab	6'		550000		
07-18	Tundra	6.5'	-	552000	8415	
07-18	Tundra CrewMax	5.5'		555000	8416	
ADD DESIGNATED FINISH CODE: B: BLACK, C: CHROME, 3, PS, & PSL: POLISHED STAINLESS, T & TL: TEXTURED BLACK				3, T	B, C, PS	PSL, TL

1. Includes 2007 Classic models, 2. Excludes Rambox models, 4. Includes Dually models, 5. Ships Parcel

UNIVERSAL BED RAILS

DESCRIPTION	LENGTH (INCHES)	PART NUMBER
Bed Rails – 3 Ft. Long – With base plates (1)	36"	8036
Bed Rails – 4 Ft. Long – Rear base plate (1)	48"	8024
Bed Rails – 4 Ft. Long – With base plates (1)	48"	8048
Bed Rails – 36" Long – Without base plates	36"	8036U
Bed Rails – 47 1/2" Long – Without base plates	47 1/2"	8048U
Bed Rails – 60" Long – Without base plates	60"	8060U
Bed Rails – 67 1/2" Long – Without base plates	67 1/2"	8067U
ADD DESIGNATED FINISH CODE: B: BLACK, C: CHROME, PS: POLISHED STAINLESS		B, C, PS

1. Rear stake pocket – Front drill

UNIVERSAL SIDE STEPS

DESCRIPTION	WIDTH INCHES	APPLICATION NOTES	PART NO.
RHINO! Universal Step – Black	12"	Single step	120B
RHINO! Universal Step – Chrome	12"	Single step	120C
RHINO! Universal Step – Stainless	12"	Single step	120PS

Drilling required. Fits most full size Chevrolet, GMC, Dodge and Ford vehicles older than 2007.

SPORT BAR 2.0

YEAR	MODEL	BED LENGTH (FEET)	BED STYLE	SPORT BAR 2.0 FIXED MOUNT	SPORT BAR 2.0 WITH POWERED ACTUATOR
CHEVROLET					
15-18	Colorado	5'	Fleet side	915000	915600
15-18	Colorado	6'	Fleet side	915000	915600
14-18	Silverado 1500	5.8'	Fleet side	911000	911600
14-18	Silverado 1500	6.5'	Fleet side	911000	911600
14-18	Silverado 1500	8'	Fleet side	911000	911600
15-18	Silverado 2500HD, 3500HD	6.5'	Fleet side	911000	911600
15-18	Silverado 2500HD, 3500HD	8'	Fleet side	911000	911600
DODGE					
09-18	Ram 1500	5.7'	Fleet side	911000	911600
09-18	Ram 1500	6.4'	Fleet side	911000	911600
09-18	Ram 1500	8'	Fleet side	911000	911600
10-18	Ram 2500, 3500	6.4'	Fleet side	911000	911600
10-18	Ram 2500, 3500	8'	Fleet side	911000	911600
FORD					
15-18	F-150	5.7'	Style side	911000	911600
15-18	F-150	6.7'	Style side	911000	911600
15-18	F-150	8'	Style side	911000	911600
17-18	F-150 Raptor	5.7'	Style side	911000	911600
GMC					
15-18	Canyon	5'	Fleet side	915000	915600
15-18	Canyon	6'	Fleet side	915000	915600
14-18	Sierra 1500	5.8'	Fleet side	911000	911600
14-18	Sierra 1500	6.5'	Fleet side	911000	911600
14-18	Sierra 1500	8'	Fleet side	911000	911600
15-18	Sierra 2500HD, 3500HD	6.5'	Fleet side	911000	911600
15-18	Sierra 2500HD, 3500HD	8'	Fleet side	911000	911600
TOYOTA					
16-18	Tacoma	5.2'	Fleet side	915000	915600
16-18	Tacoma	6.2'	Fleet side	915000	915600
07-18	Tundra	5.7'	Fleet side	911000	911600
07-18	Tundra	6.7'	Fleet side	911000	911600
ADD DESIGNATED FINISH CODE: PS: POLISHED STAINLESS TUBES, T: TEXTURED BLACK				T, PS	T, PS

Powered Sport Bar 2.0 Kits include Sport Bar 2.0 and Power-Actuated Retractable Light Mount already pre-assembled.

DESCRIPTION	PART NO.
Sport Bar 2.0 Power-Actuated Retractable Light Mount Conversion Kit (Full Size) (1)	960001T
Sport Bar 2.0 Three-Inch Cube Light Bracket Kit	968301T
Sport Bar 2.0 Power-Actuated Retractable Light Mount Conversion Kit (Mid size) (2)	960003T

1. For part numbers 911000 & 911600, 2. For part numbers 915000 & 915600

HITCH STEPS

DESCRIPTION	WIDTH	APPLICATION	PART NO.
RB10 Hitch Step - Polyurea Coating	34"	2" Receivers	RB610T
RB10 Hitch Step - Textured Powder Coat	34"	2" Receivers	RB610PC
RB20 Hitch Step - Polyurea Coating	33"	2" Receivers	RB620T
RB20 Hitch Step - Textured Powder Coat	33"	2" Receivers	RB620PC
Dominator Hitch Step - Stainless	36"	2" Receivers	D360PS
Dominator Hitch Step - Textured	36"	2" Receivers	D360T
Dominator D6 Hitch Step	36"	2" Receivers	D6360T
GO RHINO! Step - Black	12"	2" Receivers	320B
GO RHINO! Step - Stainless	12"	2" Receivers	320PS
RHINO! Hitch Step - 1 1/4" - Black	32"	1 1/4" Receivers	310B
RHINO! Hitch Step - 1 1/4" - Chrome	32"	1 1/4" Receivers	310C

DESCRIPTION	WIDTH	APPLICATION	PART NO.
RHINO! Hitch Step - 1 1/4" - Stainless	32"	1 1/4" Receivers	310PS
RHINO! Hitch Step - 2" - Chrome	36"	2" Receivers	360C
RHINO! Hitch Step - 2" - Stainless	36"	2" Receivers	360PS
RHINO! Hitch Step - 2" - Textured	36"	2" Receivers	360T
4" Oval Hitch Step - Black	24"	2" Receivers	460B
4" Oval Hitch Step - Stainless	24"	2" Receivers	460PS
Step-N-Tow - Polished Aluminum	14"	-	340P

SR RACKS

DESCRIPTION	PRODUCT NOTES	APPLICATION NOTES	PART NO.
SR10 - Medium	L: 48" - W: 40" - H: 6"	Brushed Stainless Fairings	59005T
SR10 - Large	L: 60" - W: 40" - H: 6"	Brushed Stainless Fairings	59007T
SR10 - Medium	L: 48" - W: 40" - H: 6"	Black Fairings	59015T
SR10 - Large	L: 60" - W: 40" - H: 6"	Black Fairings	59017T
SR20 - Medium	L: 48" - W: 40" - H: 6"	Black Fairings, 2 Light Ready (Lights not included)	59025T
SR20 - Large	L: 60" - W: 40" - H: 6"	Black Fairings, 2 Light Ready (Lights not included)	59027T
SR40 - Medium	L: 48" - W: 40" - H: 6"	Black Fairings, 4 Light Ready (Lights not included)	59045T
SR40 - Large	L: 60" - W: 40" - H: 6"	Black Fairings, 4 Light Ready (Lights not included)	59047T
SR20 - Medium	L: 48" - W: 40" - H: 6"	Black Fairings, 2 Rigid Lights included	5921125T
SR20 - Large	L: 60" - W: 40" - H: 6"	Black Fairings, 2 Rigid Lights included	5921145T
SR40 - Medium	L: 48" - W: 40" - H: 6"	Black Fairings, 4 Rigid Lights included	5921127T
SR40 - Large	L: 60" - W: 40" - H: 6"	Black Fairings, 4 Rigid Lights included	5921147T

SRM RACKS

DESCRIPTION	PART NO.
SRM100 48" Rack	5914800T
SRM100 60" Rack	5916000T
SRM100 72" Rack	5917200T
SRM100 Front Plate - Two 3" Cube Lights	5923001T
SRM100 Rear Plate - Two 3" Cube Lights	5923002T
SRM100 Front Plate - Four 3" Cube Lights	5943001T
SRM100 Rear Plate - Four 3" Cube Lights	5943002T
SRM100 Front Plate - Six 3" Cube Lights	5963001T
SRM100 Rear Plate - Six 3" Cube Lights	5963002T
SRM100 Front Plate - 20" Light Bar & Two 3" Cube Lights	5912231T
SRM100 Rear Plate - 20" Light Bar & Two 3" Cube Lights	5912232T
SRM100 Front Mounting Kit - Up to two 50" Light Bars	5925001T
SRM100 Rear Mounting Kit - Up to two 50" Light Bars	5925002T
SRM100 Front Plate - 40" Light Bar	5914001T
SRM100 Rear Plate - 40" Light Bar	5914002T
SRM100 Front Pod Mounting Kit - Six 6" Q-Style Lights	5967001T
SRM100 Rear Pod Mounting Kit - Six 6" Q-Style Lights	5967002T
SRM100 Side Plates - Four 3" Cube Lights	5943003T

DESCRIPTION	PART NO.
SRM200 48" Rack	5924800T
SRM200 60" Rack	5926000T
SRM200 Front Plate - Two 3" Cube Lights	5923004T
SRM200 Rear Plate - Two 3" Cube Lights	5923005T
SRM200 Front Plate - Four 3" Cube Lights	5943004T
SRM200 Rear Plate - Four 3" Cube Lights	5943005T
SRM200 Front Plate - Six 3" Cube Lights	5963004T
SRM200 Rear Plate - Six 3" Cube Lights	5963005T
SRM200 Front Plate - 20" Light Bar & Two 3" Cube Lights	5912234T
SRM200 Rear Plate - 20" Light Bar & Two 3" Cube Lights	5912235T
SRM200 Front Plate - 40" Light Bar	5913004T
SRM200 Rear Plate - 40" Light Bar	5913006T
SRM200 Side Plates - Four 3" Cube Lights	5943006T

DESCRIPTION	PART NO.
SRM Rack Universal, Adjustable Multi-Axis Mounting Kit	5910000T
SRM Rack Fixed Mounting Kit	5910001T

GARAGE, SHOP & TRAILER ORGANIZERS

DESCRIPTION	PRODUCT NOTES	CAPACITY	RED	WHITE	BLACK
Small aerosol can rack	16 5/8" x 5 1/4" x 2 7/8"	6 cans	2002R		
Large oil bottle shelf	30 1/8" x 6" x 4 5/8"	12 (1 quart bottles)	2014R		
Combination storage shelf and tie down hanger	24 1/8" x 6" x 4 5/8"			2018W	
Universal flash light mount	4 1/2" x 2 3/4" x 2 13/16"		2032R		
Glove dispenser	5" x 10" x 3 3/4"		2034R		

Made in the USA from Powder Coated High Quality Steel

REPLACEMENT PARTS & ACCESSORIES

DESCRIPTION	NOTES	PART NO.
Dominator D2 & D4 "Original" step pads set	Black	D20000B
Dominator D2 & D4 "Original" step pads set	Silver	D20000S
Dominator D3 "Original" step pads set - Short Bed	Black	D30001B
Dominator D3 "Original" step pads set - Long Bed	Black	D30002B
Dominator D3 "Original" step pads set - Short Bed	Silver	D30001S
Dominator D3 "Original" step pads set - Long Bed	Silver	D30002S
Dominator D3 Modular scuff pads set	Black	D30003B
Dominator D3 Modular scuff pads set	Silver	D30003S

DESCRIPTION	NOTES	PART NO.
Dominator "Original" step pad - Large	Black	SPD-3603B
Dominator "Original" step pad - Large	Silver	SPD-3603
Dominator "Original" step pad - Medium	Black	SPD-3602B
Dominator "Original" step pad - Medium	Silver	SPD-3602
Dominator "Original" step pad - Small	Black	SPD-3601B
Dominator "Original" step pad - Small	Silver	SPD-3601
4000 Series step pad	-	SP400
3000 Series Stepguard® Rubber Trim Strip	-	750002
3000 Series Stepguard® Plug Kit	Black	P200B
3000 Series Stepguard® Plug Kit	Chrome	P200C

JEEP WRANGLER JK PRODUCTS

DESCRIPTION	PART NO.
BRJ40 FRONT BUMPER	
BRJ40 Front Winch Bumper (Center Only)	23100T
BRJ40 Front Bumper Bolt-On End Cap (Stubby)	23110T
BRJ40 Front Bumper Bolt-On End Cap (Straight)	23115T
BRJ40 Front Bumper Bolt-On End Cap (Full)	23120T
BRJ40 Front Bumper Light Mount Bar (Rockline®)	25101T
BRJ40 Front Bumper Light Mount Bar (Roadline®)	25102T
BRJ40 Front Bumper Light Mount Bar (Trailline®)	25103T
BRJ40 Front Bumper - Complete Kit: Center and Rockline® Light Mount Bar	230101T
BRJ40 Front Bumper - Complete Kit: Center and Roadline® Light Mount Bar	230102T
BRJ40 Front Bumper - Complete Kit: Center and Trailline® Light Mount Bar	230103T
BRJ40 Front Bumper - Complete Kit: Center and Stubby End Cap	230110T
BRJ40 Front Bumper - Complete Kit: Center, Stubby End Cap and Rockline® Light Mount Bar	230110101T
BRJ40 Front Bumper - Complete Kit: Center, Stubby End Cap and Roadline® Light Mount Bar	230110102T
BRJ40 Front Bumper - Complete Kit: Center, Stubby End Cap and Trailline® Light Mount Bar	230110103T
BRJ40 Front Bumper - Complete Kit: Center and Straight End Cap	230115T
BRJ40 Front Bumper - Complete Kit: Center, Straight End Cap and Rockline® Light Mount Bar	230115101T
BRJ40 Front Bumper - Complete Kit: Center, Straight End Cap and Roadline® Light Mount Bar	230115102T

DESCRIPTION	PART NO.
BBRJ40 Front Bumper - Complete Kit: Center, Straight End Cap and Trailline® Light Mount Bar	230115103T
BRJ40 Front Bumper - Complete Kit: Center and Full End Cap	230120T
BRJ40 Front Bumper - Complete Kit: Center, Full End Cap and Rockline® Light Mount Bar	230120101T
BRJ40 Front Bumper - Complete Kit: Center, Full End Cap and Roadline® Light Mount Bar	230120102T
BRJ40 Front Bumper - Complete Kit: Center, Full End Cap and Trailline® Light Mount Bar	230120103T
BRJ40 Light Plates for 3" Cube Lights for Straight End Cap	231151T
BRJ40 Light Plates for 4" Square Lights for Straight End Cap	231152T
BRJ40 Light Plates for 3" Cube Lights for Full End Cap	231201T
BRJ40 Light Plates for 4" Square Lights for Full End Cap	231202T
BRJ40 Front Bumper & Stubby End Cap Replacement Rub Plate Kit	23210
BRJ40 Front Bumper & Straight End Cap Replacement Rub Plate Kit	23215
BRJ40 Front Bumper & Full End Cap Replacement Rub Plate Kit	23220
BRJ40 Front Bumper Winch Fairlead Mount	23200T
BRJ80 REAR BUMPER	
BRJ80 Rear Bumper - Complete Kit: Center and Stubby End Cap	27110T
BRJ80 Rear Bumper - Complete Kit: Center and Straight End Cap	27115T
BRJ80 Rear Bumper - Complete Kit: Center and Full End Cap	27120T

JEEP WRANGLER JK PRODUCTS

DESCRIPTION	PART NO.
BRJ100 REAR BUMPER WITH TIRE CARRIER	
BRJ100 Rear Bumper - Complete Kit: Center and Stubby End Cap With Tire Carrier	27210T
BRJ100 Rear Bumper - Complete Kit: Center and Straight End Cap With Tire Carrier	27215T
BRJ100 Rear Bumper - Complete Kit: Center and Full End Cap With Tire Carrier	27220T
RB10 RUNNING BOARDS	
RB10 Running Boards (For 4 Door Jeep Wrangler Unlimited)	63450568T
RB10 Running Boards (For 2 Door Jeep Wrangler)	63492648T
Pair of Angled RB Series Drop Steps	63410000T
RB10 Running Boards (For 4 Door Jeep Wrangler Unlimited) & 2 pairs of RB10 Drop Steps	6345056820T
RB10 Running Boards (For 2 Door Jeep Wrangler) & 1 Pair of RB10 Drop Steps	6349264810T
RB20 RUNNING BOARDS	
Textured Bedliner Coated RB20 Running Boards (For 4 Door Jeep Wrangler Unlimited)	69450568T
Textured Bedliner Coated RB20 Running Boards (For 2 Door Jeep Wrangler)	69492648T
Textured Bedliner Coated Pair of Straight RB Series Drop Steps	69410000T
Textured Bedliner Coated RB20 Running Boards (For 4 Door Jeep Wrangler Unlimited) & 2 pairs of RB20 Drop Steps	6945056820T
Textured Bedliner Coated RB20 Running Boards (For 2 Door Jeep Wrangler) & 1 Pair of RB20 Drop Steps	6949264810T
Textured Powder Coated RB20 Running Boards (For 4 Door Jeep Wrangler Unlimited)	69450568PC
Textured Powder Coated RB20 Running Boards (For 2 Door Jeep Wrangler)	69492648PC
Textured Powder Coated Pair of Straight RB Series Drop Steps	69410000PC
Textured Powder Coated RB20 Running Boards (For 4 Door Jeep Wrangler Unlimited) & 2 pairs of RB20 Drop Steps	6945056820PC
Textured Powder Coated RB20 Running Boards (For 2 Door Jeep Wrangler) & 1 Pair of RB20 Drop Steps	6949264810PC
DOMINATOR D6 SIDE STEPS	
Dominator D6 Side Steps (For 4 Door Jeep Wrangler Unlimited)	D64505T
Dominator D6 Side Steps (For 2 Door Jeep Wrangler)	D64926T
Pair of Dominator D6 Hoop Steps	D6410000T
DOMINATOR D2 SIDE STEPS	
Textured Black Dominator D2 Side Steps (For 4 Door Jeep Wrangler Unlimited)	D24505T
Polished Stainless Dominator D2 Side Steps (For 4 Door Jeep Wrangler Unlimited)	D24505PS
Textured Black Dominator D2 Side Steps (For 2 Door Jeep Wrangler)	D24926T
Polished Stainless Dominator D2 Side Steps (For 2 Door Jeep Wrangler)	D24926PS
WLF WINDSHIELD LIGHT FRAME	
WLF Windshield Light Frame - Eight 3" Cube Lights	738300T
WLF Windshield Light Frame - 30" Light Bar & Four 3" Cube Lights	731323T
WLF Windshield Light Frame - 40" Light Bar & Two 3" Cube Lights	731423T
WLF Windshield Light Frame - 50" Light Bar	731500T

DESCRIPTION	PART NO.
EXHAUST TIPS	
Black Exhaust Tip (8" Length, 2.5" Inside Diameter, 4" Outside Diameter)	GRT21248FB
FENDERS	
Roadline® 3" Front Fender Delete Kit	701021T
Roadline® 3" Rear Fender Delete Kit	701022T
Roadline® 6" Front Fender	701061T
Roadline® 6" Rear Fender	701062T
Roadline® 9" Front Fender	701091T
Trailline® 3" Front Fender Delete Kit	701121T
Trailline® 3" Rear Fender Delete Kit	701122T
Trailline® 6" Front Fender	701161T
Trailline® 6" Rear Fender	701162T
FENDER LINERS	
Front Fender Liners	702001T
Rear Fender Liners	702002T
SPARE TIRE CARRIER	
Body Mount Spare Tire Carrier	27130T
ROOF CAGE	
Roof Cage for 4 Door Jeep Wrangler Unlimited	5994000T
Roof Cage for 4 Door Jeep Wrangler Unlimited with WLF Windshield Light Frame (Eight 3" Cubes)	59948300T
Roof Cage for 4 Door Jeep Wrangler Unlimited with WLF Windshield Light Frame (30" Light Bar & Four 3" Cubes)	59941343T
Roof Cage for 4 Door Jeep Wrangler Unlimited with WLF Windshield Light Frame (40" Light Bar & Two 3" Cubes)	59941423T
Roof Cage for 4 Door Jeep Wrangler Unlimited with WLF Windshield Light Frame (50" Light Bar)	59941500T
Roof Cage for 2 Door Jeep Wrangler	5992000T
Roof Cage for 2 Door Jeep Wrangler with WLF Windshield Light Frame (Eight 3" Cubes)	59928300T
Roof Cage for 2 Door Jeep Wrangler with WLF Windshield Light Frame (30" Light Bar & Four 3" Cubes)	59921343T
Roof Cage for 2 Door Jeep Wrangler with WLF Windshield Light Frame (40" Light Bar & Two 3" Cubes)	59921423T
Roof Cage for 2 Door Jeep Wrangler with WLF Windshield Light Frame (50" Light Bar)	59921500T

GORRHINO 



On our website you can discover more about Off-Road Bumpers.