

2014 Fall Collection



JORGE LORENZO
2010 & 2012 MOTOGP CHAMPION



#1 IN THE WORLD



CONTENTS

■ FULL FACE HELMET

RPHA 10 /4-7

RPHA ST /8-9

FG-17 /10-12

IS-17 /13

CL-17 /14-17

CS-R2 /18-19

CL-Y /20-21

■ MODULAR HELMET

RPHA MAX /22

SY-MAX III /23

IS-MAX II /24-26

CL-MAX II /27

■ OPEN FACE HELMET

FG-JET /28

CL-JET /29

IS-33 /30

CL-33 /30

CL-IRONROAD /31

IS-CRUISER /32

IS-2 /32

CS-2N /33

CS-5N /33

■ OFF ROAD HELMET

RPHA X /34-35

FG-X /36-39

CL-X7 /40-43

CS-MX /44

CL-XY /45



ALL Out

RPHA 10

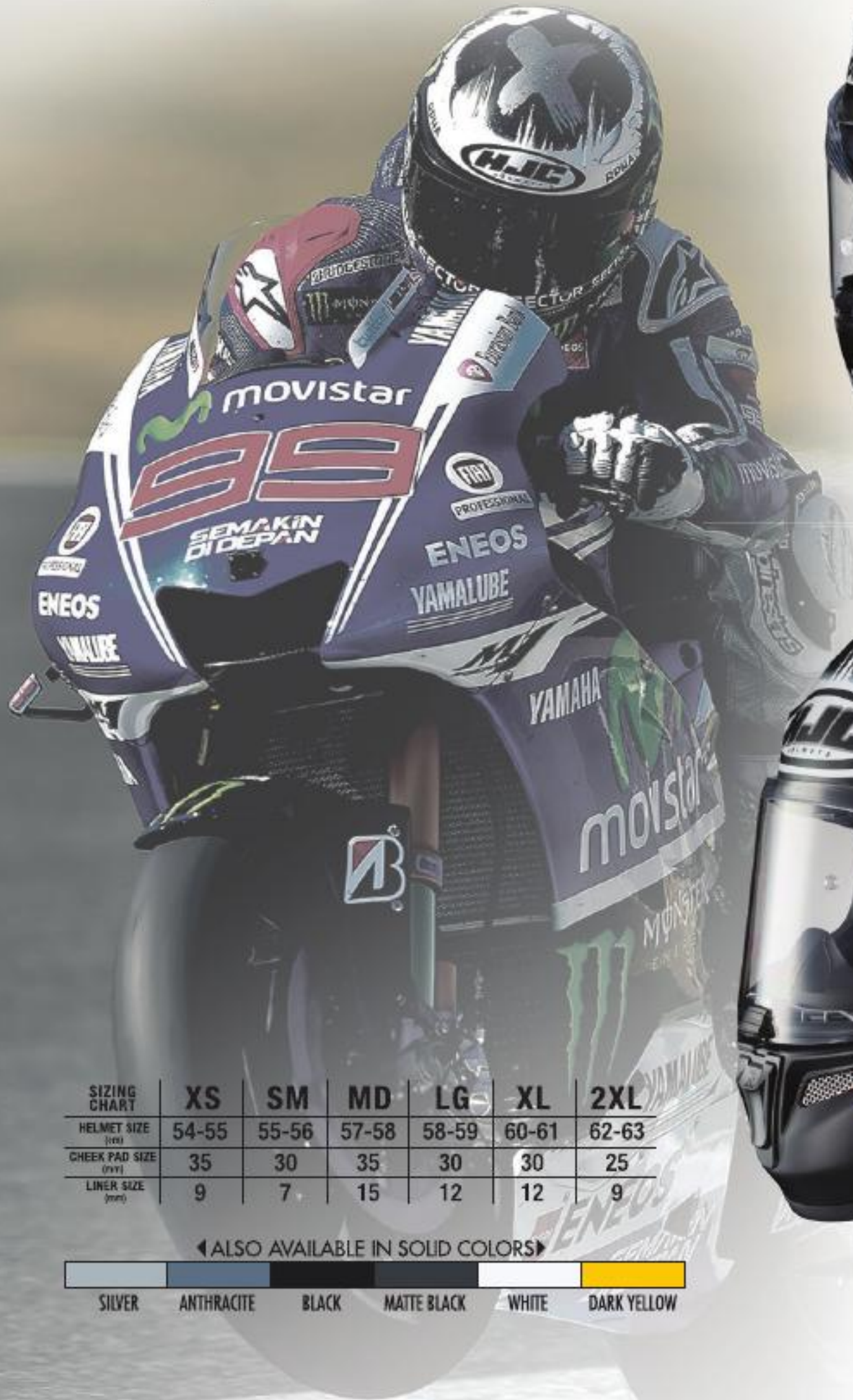
Performance

- 1** ADVANCED P.I.M. (PREMIUM INTEGRATED MATRIX) CONSTRUCTION
- 2** OPTICALLY-SUPERIOR PINLOCK®-INCLUDED 2D FLAT-RACING SHIELD
- 3** OUR INNOVATIVE CENTER ONE-TOUCH OPEN/CLOSE LOCKING SYSTEM
- 4** MAX AIRFLOW FRONT VENTS



RPHA 10 JORGE LORENZO GHOST FUERA

NEW
GRAPHICS



MC-SF

SIZING CHART	XS	SM	MD	LG	XL	2XL
HELMET SIZE (mm)	54-55	55-56	57-58	58-59	60-61	62-63
CHEEK PAD SIZE (mm)	35	30	35	30	30	25
LINER SIZE (mm)	9	7	15	12	12	9

◀ ALSO AVAILABLE IN SOLID COLORS ▶



BREATH GUARD INCLUDED **CHIN CURTAIN INCLUDED**

RPHA 10 JORGE LORENZO SPEED MACHINE

NEW
GRAPHICS



MC-5

- **Max Air-flow Top Vent:** Variable air flow is adjusted by glove-friendly dials on each intake vent.
- **Advanced P.I.M. (Premium Integrated Matrix) Construction:** A matrix of Carbon Fiber, Aramid, Fiberglass and Organic Non-Woven Fabric create a remarkably strong yet extremely lightweight shell designed for superior fit and comfort using advanced CAD technology.
- **RapidFire™II Shield Replacement System:** Simple and secure shield ratchet system provides ultra-quick, tool-less removal and installation for efficient operation.
- **Optically-superior Pinlock®-prepared 2D Flat-Racing Shield:** Pinlock® fog-resistant lens included.
- **Our innovative Center one-touch open/close locking system:** is designed for an extremely secure seal.
- **"ACS" Advanced Channeling Ventilation System:** Full front to back airflow flushes heat and humidity up and out. Countless hours of development and testing conducted inside of our advanced wind tunnel have resulted in absolute smooth air flow both inside and outside. The reward is low wind resistance and maximum ventilation.
- **SilverCool Plus™ Interior:** Premium soft feel with Ginkgo Extract, moisture-wicking and odor-free interior with advanced silver anti-bacterial fabric. Crown and cheek pads are fully removable and washable.
- **SNELL/DOT Approved**
- **Sizes: XS-2XL**

RPHA 10 BUZZSAW



MC-1



MC-7



MC-10



RPHA 10 HALCYON



MC-1



RPHA ST

*Introducing a Premium
helmet with an
Internal Sun Shield*



- 1** ADVANCE P.I.M (PREMIUM INTEGRATED MATRIX) CONSTRUCTION
- 2** PINLOCK PREPARED SHIELD AND INCLUDES PINLOCK 100% MAX VISION ANTI-FOG INSERT.
- 3** INTEGRATED SUNSHIELD
- 4** MAXIMUM AIR-FLOW

RPHA ST RUGAL

- **Advance P.I.M (Premium Integrated Matrix) Construction.**
- **Integrated Sunshield:** Smoke tinted Sunshield deploys quickly and easily.
- **Max Air-flow Top Vent:** Variable air flow is adjusted by glove-friendly intake vent.
- **5mm Initial shield position by releasing shield locking system.**
- **RapidFire™II Shield Replacement System:** Simple and secure shield ratchet system provides ultra-quick, tool-less removal and installation for efficient operation.
- **Pinlock prepared shield and Includes Pinlock 100% Max vision Anti-fog insert.**
- **For the perfect and compact dimensions, RPHA ST comes in 3 different shells:**
1st shell for XS-S sizing, 2nd for M-L sizing and 3rd for XL-2XL sizing.
- **SilvercoolPlus™(Ginkgo) Interior:** Moisture-wicking and odor-free interior with advanced silver anti-bacterial fabric. Crown and cheek pads are removable and washable.
- **Eye glasses and sun glasses friendly.**
- **DOT Approved**
- **Sizes: XS-2XL**

NEW
GRAPHICS

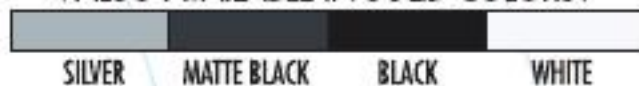


MC-1

MC-2

MC-3

◀ ALSO AVAILABLE IN SOLID COLORS ▶



SIZING CHART	XS	SM	MD	LG	XL	2XL
HELMET SIZE (cm)	54-55	55-56	57-58	58-59	60-61	62-63
CHEEK PAD SIZE (mm)	40	35	40	35	30	25
LINER SIZE (mm)	15	12	18	15	12	9



BREATH
GUARD
INCLUDED

CHIN
CURTAIN
INCLUDED

Big Features Compact Form

The race-ready helmet with exceptional compact shape

FG-17 MAMBA

- 1** Advanced Fiberglass Composite Shell
- 2** Cheek Pads are Interchangeable in All Helmet Sizes
- 3** "ACS" Advanced Channeling Ventilation System
- 4** Rapidfire™ II Shield Replacement System



SIZING CHART	XS	SM	MD	LG	XL	2XL	3XL
HELMET SIZE (cm)	54-55	55-56	57-58	58-59	60-61	62-63	64-65
CHEEK PAD SIZE (mm)	35	30	35	30	35	30	20
LINER SIZE (mm)	12	9	15	12	15	12	7

FG-17 THRUST

NEW
GRAPHICS



MC-1F



MC-2F



MC-5F



SSC-6F



◀ ALSO AVAILABLE IN SOLID COLORS ▶



SILVER MATTE BLACK BLACK WHITE

BREATH
GUARD
INCLUDED

FG-17 FLUTURA

NEW
GRAPHICS



- **A race-ready helmet tested at our Wind Tunnel Laboratory.**
- **Advanced Fiberglass Composite Shell:** Lightweight, superior fit and comfort using advanced CAD technology.
- **For more comfortable fit, FG-17 comes in 3 different shells:** 1st shell for XS-S sizing, 2nd for M-L sizing and 3rd for XL-3XL sizing.
- **SilverCool™ Interior:** Moisture-wicking and odor-free liners with advanced anti-bacterial fabric. Crown and cheek pads are fully removable and washable.
- **Optically-superior Pinlock®-prepared Faceshield:** New 3D design provides 95% UV-A, UV-B protection, anti-scratch coating and is prepared for the ultimate anti-fog Pinlock insert.
- **Cheek pads are interchangeable in all helmet sizes**
- **RapidFire™ II Shield Replacement System:** Quick, secure, tool-less removal and installation.
- **"ACS" Advanced Channeling Ventilation System:** Full front to back airflow flushes heat and humidity up and out.
- **SNELL/DOT Approved**
- **SIZE: XS-3XL**



IS-17 GENESIS

HJC'S NEWEST FULL FACE HELMET WITH AN INTERNAL SUNSHIELD



◀ ALSO AVAILABLE IN SOLID COLORS ▶



IS-17 SPARK

- **Advanced Polycarbonate Composite Shell:** Lightweight, superior fit and comfort using advanced CAD technology.
- **One-touch Integrated Sunshield:** 3-stage adjustable sunshield deploys quickly and easily.
- **Optically-superior Pinlock®-prepared Faceshield:** New 3D design provides 98% UV-A, UV-B protection, anti-scratch coating and is prepared for the ultimate anti-fog Pinlock insert.
- **SuperCool® Moisture-wicking Interior:** Anti-bacterial, removable and washable.
- **Cheek pads are interchangeable in all helmet sizes**
- **Glasses Groove can accommodate riders who wear glasses.**
- **RapidFire™II shield replacement system:** Simple and secure shield ratchet system provides ultra-quick, tool less removal and installation for efficient operation.
- **DOT Approved**
- **SIZE: XS-2XL**

NEW
GRAPHICS



SIZING CHART	XS	SM	MD	LG	XL	2XL
HELMET SIZE (cm)	53-54	55-56	57-58	59-60	61-62	63-64
CHEEK PAD SIZE (cm)	40	35	30	35	30	25
LINER SIZE (mm)	18	15	12	18	15	12

BREATH GUARD
INCLUDED

Continuing Family Tradition

CL-17 **SIZES UP TO 5XL**

- 1** Advanced Polycarbonate Composite Shell
- 2** "ACS" Advanced Channeling Ventilation System
- 3** Rapidfire™ Shield Replacement System
- 4** Aggressive Yet Refined Shell Design



WINE BERRY

WHITE

SILVER

MATTE BLACK

BLACK

SIZING CHART	XS	SM	MD	LG	XL	2XL	3XL	4XL	5XL
HELMET SIZE (cm)	54-55	56-57	58-59	60-61	62-63	63-64	65-66	67-68	69-70
CHEEK PAD SIZE (mm)	40	35	30	35	30	25	25	20	17
LINER SIZE (mm)	18	15	12	18	15	12	15	12	9



MATTE ANTHRACITE

CL-17 MECH HUNTER



MC-1F



MC-2F



MC-3F



MC-4F

- **Advanced Polycarbonate Composite Shell:** Lightweight, superior fit and comfort using advanced CAD technology.
- **Optically Superior Pinlock® ready Faceshield:** New 3D design provides 95% UV-A, UV-B protection, an anti-scratch coating and is prepared for the ultimate anti-fog Pinlock insert. **Pinlock insert sold separately.*
- **RapidFire™ Shield Replacement System:** Quick, secure, tool-less removal and installation.
- **“ACS” Advanced Channeling Ventilation System:** Full front to back airflow flushes heat and humidity up and out.
- **SuperCool® Interior:** Crown and cheek pads are removable and washable.
- **SNELL/DOT Approved**
- **SIZES: XS-5XL** (CL-17 Plus: 3XL-5XL DOT only)

◀ ALSO AVAILABLE IN SOLID COLORS ▶



M. ANTHRACITE SILVER MATTE BLACK BLACK WHITE WINE BERRY

NEW
GRAPHICS



BREATH
GUARD
INCLUDED



MC-1F



MC-3HF



MC-5F



MC-8F



MC-5GF



*Reflective Material

CL-17 STREAMLINE

NEW
GRAPHICS



MC2F

CS-R2 SEGA



MC-1

MC-2



MC-3

MC-5



MC-6

MC-8



MC-4

SIZING CHART	XS	SM	MD	LG	XL	2XL
HELMET SIZE (cm)	53-54	55-56	57-58	59-60	61-62	63-64
CHEEK PAD SIZE (mm)	40	35	30	30	25	20
LINER SIZE (mm)	15	12	9	12	9	7

CS-R2 INJECTOR

- **Advanced Polycarbonate Composite Shell:** Light weight, superior fit and comfort using advanced CAD technology.
- **RapidFire™ Shield Replacement System:** Quick, secure, tool-less removal and installation.
- **Optically Superior Faceshield:** 95% UV-A, UV-B protection.
- **Advanced Ventilation System:** Adjustable forehead and chin vents, and two rear exhaust vents.
- **Plush, Nylex® Interior:** Crown and cheek pads are removable and washable.
- **DOT Approved**
- **SIZES: XS-2XL**



MC-1

MC-2



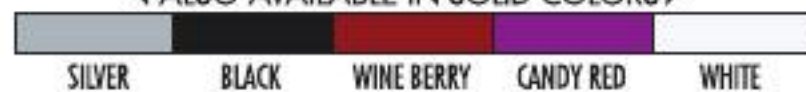
MC-3

MC-5



MC-8

◀ ALSO AVAILABLE IN SOLID COLORS ▶



SILVER

BLACK

WINE BERRY

CANDY RED

WHITE

CL-Y REDLINE YOUTH

- **True Youth Size Polycarbonate Shell:** Lightweight, superior fit and comfort using advanced CAD technology.
- **Optically Superior Faceshield:** 95% UV-A, UV-B protection.
- **Integrated Ventilation System:** Provides cooling airflow.
- **Plush, Nylex® Interior:** Washable and Removable.
- **Large Eye Port Design:** For maximum visibility.
- **Flush-mounted Shield/Ratchet System:** Simple and easy to use.
- **DOT Approved**
- **Sizes: Youth S/M/L**



SIZING CHART	SM	MD	LG
HELMET SIZE (cm)	49-50	51-52	53-54
CHEEK PAD SIZE (mm)	30	25	20
LINER SIZE (mm)	18	15	12

CL-Y RAZZ YOUTH



MC-5F



MC-8



◀ ALSO AVAILABLE IN SOLID COLORS ▶



BLACK MATTE BLACK WHITE

RPHA MAX ALIGN

- **Advanced P.I.M. (Premium Integrated Matrix) Construction:** A matrix of Carbon Fiber, Aramid, Fiberglass and Organic Non-Woven Fabric create a remarkably strong yet extremely lightweight shell designed for superior fit and comfort using advanced CAD technology.
- **Optimal Shell Sizing:** Three shell sizes (XS-S, M-L and XL-XXL) provide riders with proportional sizing.
- **One-Touch Integrated Sunshield:** Smoke-tinted Sunshield deploys quickly and easily adjusts to any of three positions via a handy sliding lever.
- **Optically Superior Faceshield:** 95% UV-A, UV-B protection.
- **Extremely Quiet:** Developed in HJC's wind tunnel laboratory at high speeds to mitigate wind noise levels; only 84dB at 100 kph/62.5 mph.
- **Sport Helmet Design:** Extremely compact and aerodynamic design gives the RPHA Max the look of a full-face sportbike helmet.
- **3D Anti Scratch Shield and Pinlock 100% Max Vision Included.**
- **Innovative Center One-Touch Locking System:** Easy open/close action with an extremely secure seal.
- **RapidFire™II Shield Replacement System:** Simple and secure shield ratchet system provides ultra-quick, tool-less removal and installation for efficient operation.
- **Cool4ever™ Interior:** Lightweight, moisture-wicking, odor-free and anti-bacterial interior.
- **Self-Cooling Interior:** Innovative, new fabric features self-cooling proper ties that cools down faster than other fabrics.
- **DOT Approved**
- **Sizes: XS-2XL**



SIZING CHART	XS	SM	MD	LG	XL	2XL
HELMET SIZE (cm)	54-55	55-56	57-58	58-59	60-61	62-63
CHEEK PAD SIZE (cm)	37	32	32	27	27	22
LINER SIZE (mm)	12	9	15	12	12	9



SY-MAX III SOLID

- **Advanced Fiberglass Shell with Adjustable Polycarbonate Chin bar:** Lightweight system, superior fit and comfort using advanced CAD technology.
- **One-touch Integrated Sunshield:** Three positions for sunshield sliding lever which is adjustable, smoke tinted Sunshield deploys quickly and easily. (U.S. PAT.#7,540,033)
- **Optically Superior Faceshield:** 95% UV-A, UV-B protection.
- **Optically superior Pinlock®-prepared Faceshield:** New 3D design, an anti-scratch coating and is prepared for the ultimate anti-fog Pinlock insert.
- **Single-button Chinbar Release:** Open with one hand even with gloves on.
- **SilverCool™ Interior:** Moisture-wicking and odor-free interior with advanced silver anti-bacterial fabric. Crown and cheek pads are removable and washable.
- **Ready for Bluetooth communication:** Built in recesses for the ChatterBox™ and speakers.
- **DOT Approved**
- **Sizes: XS-2XL**



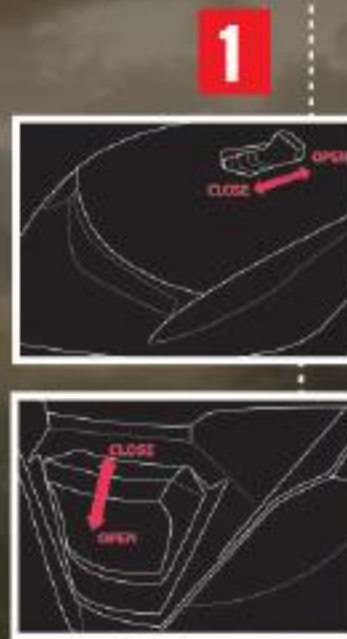
SIZING CHART	XS	SM	MD	LG	XL	2XL
HELMET SIZE (cm)	53-54	55-56	57-58	59-60	61-62	63-64
CHEEK PAD SIZE (mm)	37	32	27	30	25	20
LINER SIZE (mm)	18	15	12	15	12	9



All New Modular

IS-MAX II

- 1** "ACS" Advanced Channeling Ventilation System
- 2** One-touch Integrated Sunshield
- 3** SuperCool® Moisture-wicking Interior
- 4** Single-button Chinbar/Faceshield Release



1



4



2

3

IS-MAX II STYLE

SIZES UP TO 5XL

- **Advanced Polycarbonate Composite Shell and Polycarbonate Chin Bar.**
- **Chinbar:** Lightweight, superior fit and comfort using advanced CAD technology.
- **One-touch integrated Sunshield:** 3-stage adjustable Sunshield deploys quickly and easily.
- **Single-button Chinbar Release:** Open with one hand even with gloves on*.
- **Optically Superior Faceshield:** 95% UV-A, UV-B protection.
- **QuickSlide™ Shield Replacement System:** Quick, secure, tool-less removal and installation.
- **"ACS" Advanced Channeling Ventilation System:** Full front to back airflow flushes heat and humidity up and out.
- **SuperCool® Moisture-wicking Interior:** Anti-bacterial, removable and washable.
- **Glasses Groove can accommodate riders who wear glasses.**
- **DOT Approved**
- **Sizes: XS-5XL**

NEW
GRAPHICS



MC-5F



SIZING CHART	XS	SM	MD	LG	XL	2XL	3XL	4XL	5XL
HELMET SIZE (cm)	53-54	55-56	57-58	59-60	61-62	63-64	65-66	67-68	69-70
CHEEK PAD SIZE (mm)	32	27	22	27	22	17	20	17	14
LINER SIZE (mm)	15	12	9	15	12	9	15	12	9

IS-MAX II ELEMENTAL

SIZES UP TO 5XL

NEW
GRAPHICS



MC-1



MC-2



MC-3H



MC-4



MC-5



CL-MAX II ATOMIC

SIZES UP TO 5XL

- **Ready for Bluetooth communication:** Built in recesses for the ChatterBox™ XBi2-H and speakers.
- **Advanced Polycarbonate Composite Shell:** Lightweight, superior fit and comfort using advanced CAD technology.
- **Single-button Chinbar Release:** Opens with one hand even with gloves on.
- **Optically Superior Faceshield:** 95% UV-A, UV-B protection.
- **QuickSlide™ Shield Replacement System:** Quick, secure, tool-less removal and installation.
- **“ACS” Advanced Channeling Ventilation System:** Full front to back airflow flushes heat and humidity up and out.
- **Bioceramic Nylex® Moisture-wicking Interior:** Anti-bacterial, removable and washable.
- **DOT Approved**
- **Sizes: XS-5XL**



SIZING CHART	XS	SM	MD	LG	XL	2XL	3XL	4XL	5XL
HELMET SIZE (cm)	54-55	56-57	58-59	60-61	62-63	63-64	65-66	67-68	69-70
CHEEK PAD SIZE (mm)	35	30	25	30	25	17	20	17	14
LINER SIZE (mm)	15	12	9	15	12	9	15	12	9

◀ ALSO AVAILABLE IN SOLID COLORS ▶



FG-JET SOLID

- **Cutting edge open face design with inner sunshield.**
- **Advanced Fiberglass Composite Shell:** Lightweight, Superior fit and comfort using advanced CAD technology.
- **For more comfortable fit, FG-JET comes in 3 different shells:**
1st shell: XS-S sizing, 2nd: M-L and 3rd: XL-2XL.
- **UV-A, UV-B Protection Treated Faceshield**
- **SilverCool™ Interior:** Moisture-wicking and odor-free liners with advanced silver anti-bacterial fabric. Crown and cheek pads are fully removable and washable.
- **QuickSlide™ Shield Replacement System:** Quick, secure, tool-less removal and installation.
- **3D Anti-Scratch clear shield**
- **"ACS" Advanced Channeling Ventilation System:** Full front to back airflow flushes heat and humidity up and out.
- **Cheek pads are interchangeable in all helmet sizes**
- **One-touch Integrated Sunshield:** Three positions for sunshield sliding lever which is adjustable. Smoke tinted Sunshield deploys quickly and easily.
- **DOT Approved**
- **SIZE: XS-2XL**



SIZING CHART	XS	SM	MD	LG	XL	2XL
HELMET SIZE (cm)	54-55	55-56	57-58	58-59	60-61	62-63
CHEEK PAD SIZE (mm)	40	35	35	30	30	25
LINER SIZE (mm)	12	9	15	12	12	9

CL-JET SOLID

- **Advanced Polycarbonate Composite Shell:** Lightweight, superior fit and comfort using advanced CAD technology.
- **UV-A, UV-B Protection Treated Faceshield**
- **QuickSlide™ Shield Replacement System:** Quick, secure, tool-less removal and installation
- **"ACS" Advanced Channeling ventilation System:** Our unique ACS ventilation is designed to take the cool air and flush out heat and humidity.
- **Nylex® Interior:** Plush, moisture wicking material with crown and cheek pads removable and washable.
- **Cheek pads are interchangeable in all helmet sizes**
- **DOT Approved**
- **Size: XS-2XL**



Black



Matte Black



SIZING CHART	XS	SM	MD	LG	XL	2XL
HELMET SIZE (cm)	53-54	55-56	57-58	59-60	61-62	63-64
CHEEK PAD SIZE (mm)	35	30	25	30	25	20
LINER SIZE (mm)	15	12	9	15	12	9

IS-33 SOLID

- **Advanced Polycarbonate Composite Shell:** Lightweight, superior fit and comfort using advanced CAD technology.
- **One-touch Integrated Sunshield:** Smoke-tinted 3-stage adjustable SunShield deploys quickly and easily (U.S. PAT.#7,540,033).
- **UV-A, UV-B treated Flip-up Faceshield:** Opens easily.
- **QuickSlide™ Shield Replacement System:** Quick, secure, tool-less removal and installation.
- **"ACS" Advanced Channeling Ventilation System:** Full front to back airflow flushes heat and humidity up and out.
- **SilverCool™ Interior:** Moisture-wicking and odor-free interior with advanced silver anti-bacterial fabric. Crown and cheek pads are removable and washable.
- **DOT Approved**
- **SIZES: XS-2XL**

◀ ALSO AVAILABLE IN SOLID COLORS ▶



SIZING CHART	XS	SM	MD	LG	XL	2XL
HELMET SIZE (cm)	53-54	55-56	57-58	59-60	61-62	63-64
CHEEK PAD SIZE (mm)	35	30	25	25	20	17
LINER SIZE (mm)	15	12	9	15	12	9

Wine Berry



Silver

CL-33 SOLID

- **Advanced Polycarbonate Composite Shell:** Lightweight, superior fit and comfort using advanced CAD technology.
- **Flip-up 3D Faceshield:** UV-A, UV-B treated and hard coated, featuring tool-less ratchet mechanism.
- **Multi-stage Vent System:** 4 forward intake vents.
- **Nylex® Interior:** For added comfort.
- **DOT Approved**
- **SIZES: 2XS-2XL**

◀ ALSO AVAILABLE IN SOLID COLORS ▶



SIZING CHART	2XS	XS	SM	MD	LG	XL	2XL
HELMET SIZE (cm)	51-52	53-54	55-56	57-58	59-60	61-62	63-64
CHEEK PAD SIZE (mm)	35	35	30	25	30	25	20
LINER SIZE (mm)	18	15	12	9	12	9	7



CL-IRONROAD SOLID

NEW

- **Thermoplastic Alloy Shell:** Lightweight, superior fit and comfort using advanced CAD technology.
- **Nylex® Interior:** For added comfort.
- **Two forehead Vents:** Delivers cooling air.
- **Aerodynamic Visor:** Low-profile design.
- **Removable Neck Curtain with built in speaker pockets**
- **Dial Comfort Adjustment Mechanism(DCAM):** Provides the ultimate comfort.
- **DOT Approved**
- **SIZES: XS-2XL**



Black

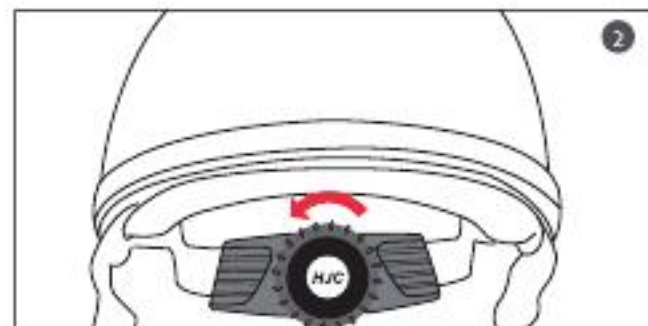
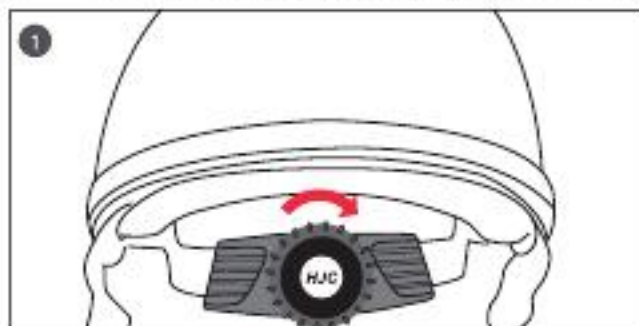


Matte Black

Dial Comfort Adjustment Mechanism(DCAM)

Customize your comfort with DCAM

1. Turn the dial clock-wise to adjust your comfort level
2. Turn the dial counter clock-wise to loosen



SIZING CHART	XS	SM	MD	LG	XL	2XL
HELMET SIZE (cm)	53-54	55-56	57-58	59-60	61-62	63-64
LINER SIZE (mm)	12	9	7	12	9	7

IS-CRUISER SOLID

- **Advanced Polycarbonate Composite Shell:** Lightweight, superior fit and comfort using advanced CAD technology.
- **Integrated Sunshield Smoke-tinted shield** deploys easy to slide up or down (UV-A, UV-B Protection Treated Faceshield).
- **Nylex® Interior:** Plush, moisture wicking material with removable and washable liner.
- **DOT Approved**
- **Size : XS-2XL**

SIZING CHART	XS	SM	MD	LG	XL	2XL
HELMET SIZE (cm)	53-54	55-56	57-58	59-60	61-62	63-64
LINER SIZE (mm)	18	15	12	15	12	9



Black



Matte Black

IS-2 BLOSSOM

- **Advanced Polycarbonate Composite Shell:** Lightweight, superior fit and comfort using advanced CAD technology.
- **Integrated SunShield:** Smoke-tinted shield deploys easily when needed (UV-A, UV-B Protection Treated Faceshield).
- **SilverCool™ Interior:** Moisture-wicking and odor-free interior with advanced silver anti-bacterial fabric. Comfortable, removable and washable.
- **DOT Approved**
- **SIZES: XS-2XL**

SIZING CHART	XS	SM	MD	LG	XL	2XL
HELMET SIZE (cm)	53-54	55-56	57-58	59-60	61-62	63-64
LINER SIZE (mm)	15	12	9	18	15	9



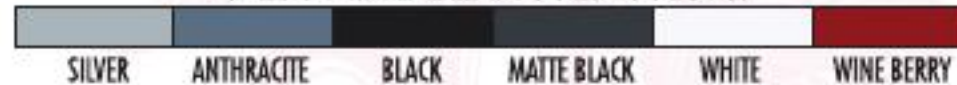
MC-8



MC-5



◀ ALSO AVAILABLE IN SOLID COLORS ▶



CS-2N RAZOR

- **Thermoplastic Alloy Shell:** Lightweight, superior fit and comfort using advanced CAD technology.
- **Nylex® Interior:** For added comfort.
- **Two forehead Vents:** Delivers cooling air.
- **Aerodynamic Visor:** Low-profile design.
- **Removable Neck Curtain:** Easy to remove.
- **DOT Approved**
- **SIZES: XS-2XL**

◀ ALSO AVAILABLE IN SOLID COLORS ▶



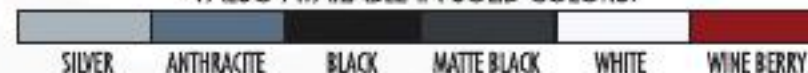
SIZING CHART	XS	SM	MD	LG	XL	2XL
HELMET SIZE (cm)	53-54	55-56	57-58	59-60	61-62	63-64
LINER SIZE (mm)	12	9	7	12	9	7



CS-5N SOLID

- **Thermoplastic Alloy Shell:** Lightweight, superior fit and comfort using advanced CAD technology.
- **Nylex® Interior:** For added comfort.
- **Two Adjustable Forehead Vents:** Delivers cooling air.
- **Aerodynamic 3 Snap Visor:** Low-profile design.
- **DOT Approved**
- **SIZES: 2XS-2XL**

◀ ALSO AVAILABLE IN SOLID COLORS ▶



SIZING CHART	2XS	XS	SM	MD	LG	XL	2XL
HELMET SIZE (cm)	51-52	53-54	55-56	57-58	59-60	61-62	63-64
CHEEK PAD SIZE (mm)	50	45	40	35	40	35	30
LINER SIZE (mm)	18	15	12	9	15	12	9

RPHA X NATE ADAMS REPLICA



"I love it. From the moment I put on my new HJC RPHA X helmet I knew it was good and I wanted to go ride in it. It has a complete coverage and snug fit to my dome, no loose spots, no wiggling of the helmet while riding, no dirt getting in through the sides of my goggles due to helmet movement, none of that. This is a great helmet!" — **Nate Adams**



RPHA X AIRAID



MC-1



- **Advanced P.I.M. (Premium Integrated Matrix) Construction:**

A matrix of Carbon Fiber, Aramid, Fiberglass and Organic Non-Woven Fabric create a remarkably strong yet extremely lightweight shell designed for superior fit and comfort using advanced CAD technology.

- **For the perfect and compact dimensions, RPHA X comes in 3 different shells:** 1st shell: XS-S, 2nd: M-L and 3rd: XL-2XL.

- **"ACS" Advanced Channeling Ventilation System:** Full front to back airflow flushes heat and humidity up and out.

- **Large Eye Port:** For maximum visibility and superior goggle fit.

- **COOL4EVER™ interior:** Lightweight, moisture wicking, odor free and anti bacterial, premium soft feel with Ginkgo extract.

Innovative new fabric offers self-cooling proper ties. It cools down faster than other major fabrics. Extremely important for long hot rides. Crown and cheek pads are removable and washable.

- **SNELL/DOT Approved**

- **Sizes: XS-2XL**

◀ ALSO AVAILABLE IN SOLID COLORS ▶



SIZING CHART	XS	SM	MD	LG	XL	2XL
HELMET SIZE (cm)	54-55	55-56	57-58	58-59	60-61	62-63
CHEEK PAD SIZE (mm)	35	30	35	30	25	20
LINER SIZE (mm)	15	12	15	12	12	9

**BREATH
GUARD
INCLUDED**

FG-X GRAND DUKE

NEW
GRAPHICS



MC-3H



◀ ALSO AVAILABLE IN SOLID COLORS ▶

BLACK RUBBERTONE BLACK WHITE

SIZING CHART	XS	SM	MD	LG	XL	2XL
HELMET SIZE (cm)	53-54	55-56	57-58	59-60	61-62	63-64
CHEEK PAD SIZE (mm)	42	37	32	37	32	25
LINER SIZE (mm)	15	12	9	15	12	9

FG-X LEGENDARY LUCHA

- **Advanced Fiberglass Composite Shell:** Lightweight, superior fit and comfort using advanced CAD technology.
- **SilverCool™ Interior:** Removable, moisture-wicking and odor-free interior with advanced silver anti-bacterial fabric.
- **Large Eye Port:** for maximum visibility and superior goggle fit.
- **"ACS" Advanced Channeling Ventilation System:** Full front to back airflow flushes heat and humidity up and out.
- **Aggressive and attractive design.**
- **SNELL/DOT Approved**
- **Size:** XS-2XL

NEW
GRAPHICS



MC-3H



MC-5F



FG-X HAMMER



MC-1



MC-3



MC-5

FG-X TALON



MC-1



MC-2



MC-4



MC-5



MC-6

THE ALL NEW CL-X7



- 1** ADVANCED POLYCARBONATE SHELL CONSTRUCTION
- 2** MAX AIRFLOW FRONT VENTS
- 3** UNIQUE DUAL MOUTHVENT
- 4** GOGGLE STRAP RIDGE



CL-X7 DYNASTY

- **Advanced Polycarbonate Composite Shell:** Revolutionary design with unique visor. Lightweight, superior fit and comfort using advanced CAD technology.
- **“ACS” Advanced Channeling Ventilation System: (14 Intakes + 4 Exhausts)** Full front to back airflow flushes heat and humidity up and out.
- **SuperCool® Moisture-wicking Interior:** Anti-bacterial, removable and washable.
- **Large Eye Port:** For maximum visibility and superior goggle fit.
- **Glasses Groove can accommodate riders who wear glasses.**
- **SNELL/DOT Approved**
- **SIZE : XS-2XL (3XL-5XL DOT Only)**

NEW
GRAPHICS



MC-6F



SIZING CHART	XS	SM	MD	LG	XL	2XL	3XL	4XL	5XL
HELMET SIZE (cm)	53-54	55-56	57-58	59-60	61-62	63-64	65-66	67-68	69-70
CHEEK PAD SIZE (mm)	35	30	25	35	30	25	20	17	14
LINER SIZE (mm)	12	9	9	15	12	9	12	9	7

CL-X7 POP N LOCK

NEW
GRAPHICS



MC-1



MC-2



MC-3



MC-4



MC-5



MC-8



CL-X7 EL LOBO

NEW
GRAPHICS



MC-2F



MC-5F



CS-MX SECOND PHASE

- **Polycarbonate Composite Shell:** Lightweight, superior fit and comfort using advanced CAD technology.
- **"ACS" Advanced Channeling Ventilation System:** Full front to back airflow flushes heat and humidity up and out.
- **Plush, Nylex® Interior:** Comfortable, removable, and washable.
- **Large Eye Port and Maximum Range**
- **Adjustable Visor:** For maximum visibility and superior goggle fit.
- **DOT Approved**
- **SIZES: XS-2XL**

SIZING CHART	XS	SM	MD	LG	XL	2XL
HELMET SIZE (cm)	53-54	55-56	57-58	59-60	61-62	63-64
CHEEK PAD SIZE (mm)	35	30	25	30	25	17
LINER SIZE (mm)	18	15	12	15	12	9



MC-1F

MC-4F

MC-8F

MC-10F



NEW
GRAPHICS

◀ ALSO AVAILABLE IN SOLID COLORS ▶

RUBBERTONE BLACK



CL-XY POP N LOCK

- **Polycarbonate Composite Shell:** Lightweight, superior fit and comfort using advanced CAD technology.
- **Advanced Ventilation System:** Full front to back airflow flushes heat and humidity up and out.
- **Plush, Nylex® Interior:** Comfortable, removable, and washable.
- **Large Eye Port and Maximum Range Adjustable Visor:** For maximum visibility and superior goggle fit.
- **DOT Approved**
- **SIZES:** Youth S, Youth M, Youth L

SIZING CHART	SM	MD	LG
HELMET SIZE (cm)	49-50	51-52	53-54
CHEEK PAD SIZE (mm)	30	25	30
LINER SIZE (mm)	15	9	12



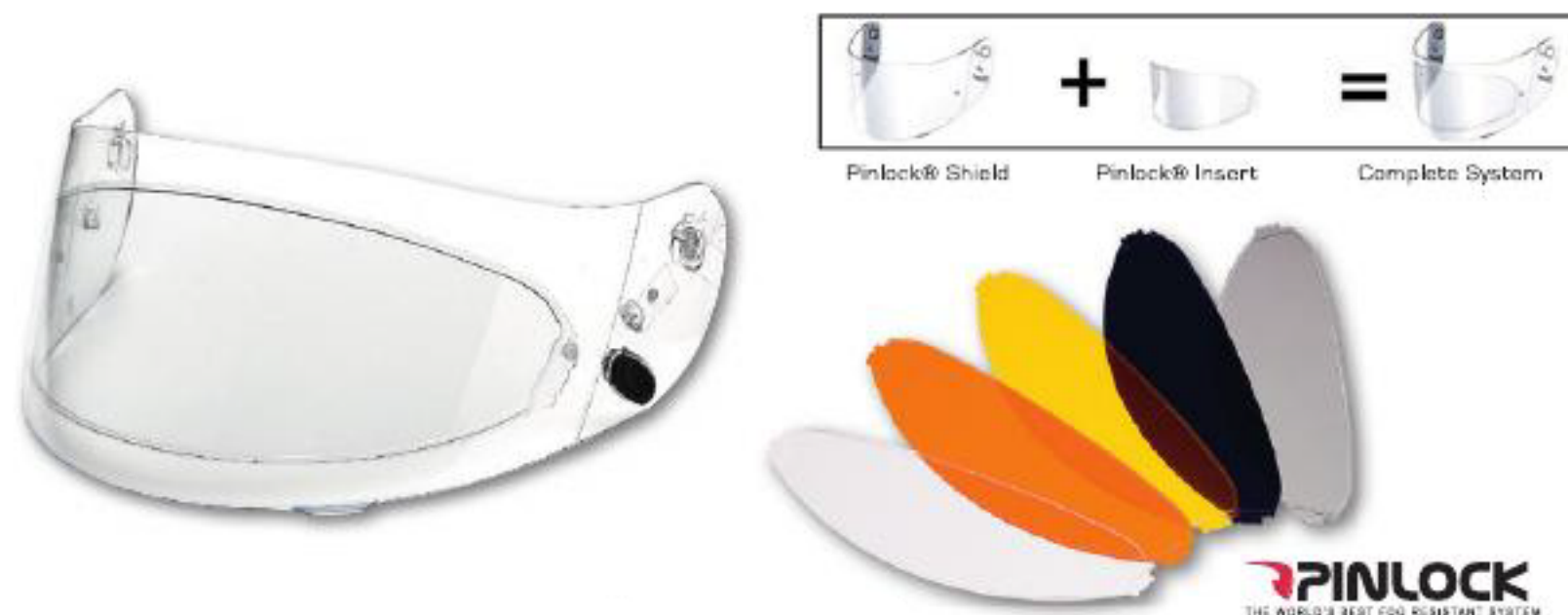
◀ ALSO AVAILABLE IN SOLID COLORS ▶



NEW
GRAPHICS



PINLOCK SHIELDS & INSERTS



OPTIONAL SHIELDS

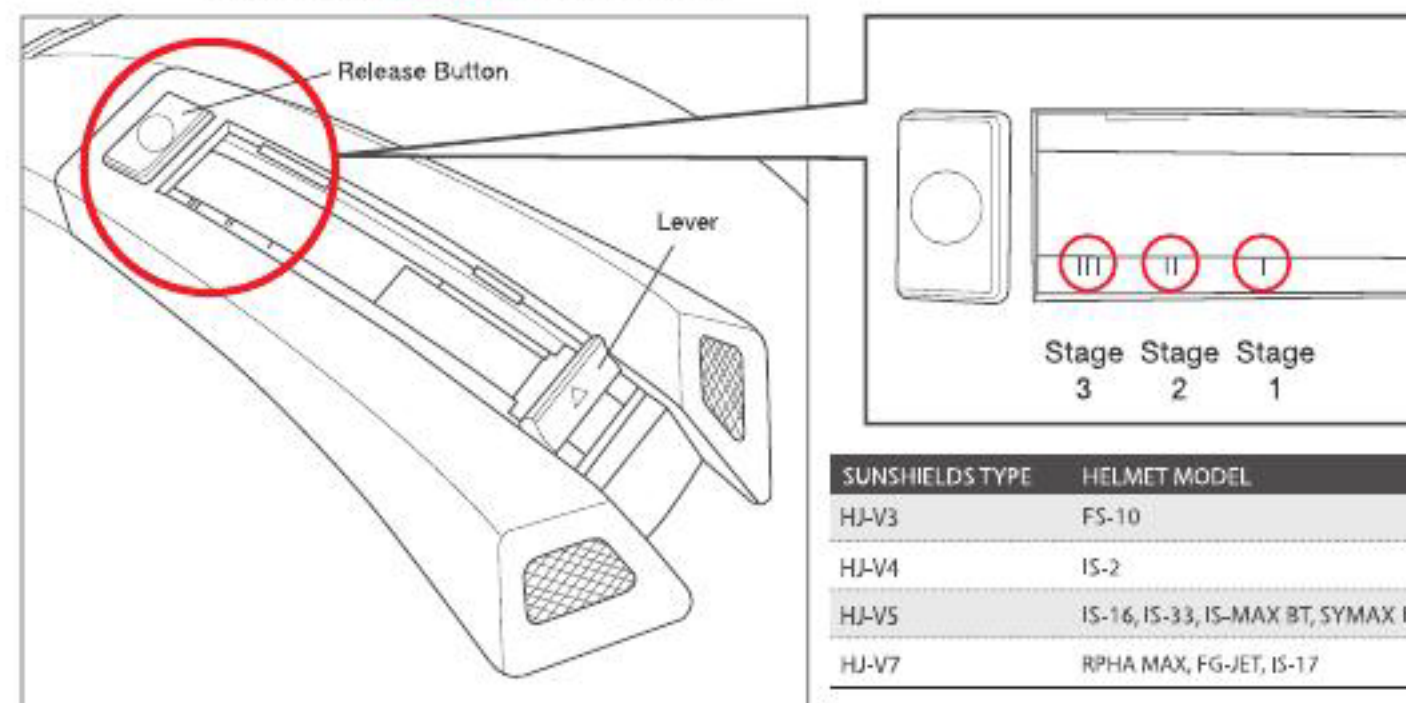


SHIELDS TYPE	HELMET MODEL
HJ-03	CL-12Y, CL-14Y, CS-12Y, CS-Y
HJ-05	AC-10, CL-12, CL-Y, CS-12, SY-MAX
HJ-07	AC-11, CL-14, CL-MAX
HJ-09	AC-12, CL-15, CL-16, CL-SP, CS-R1, CS-R2, FS-10, FS-15, IS-16, CL-17, CL-17 PLUS
HJ-11	AC-3, CL-33
HJ-12	FS-3
HJ-17	CL-MAX II, IS-MAX BT, SY-MAX III, IS-MAX II
HJ-17J	CL-JET, IS-33
HJ-17R	FG-JET
HJ-20	RPHA 10
HJ-20M	FG-17, IS-17
HJ-20ST	RPHA ST
HJ-S2	SY-MAX II
HJ-25	RPHA MAX

SUNSHIELD OPERATION

There are three positions for the sun shield sliding lever.

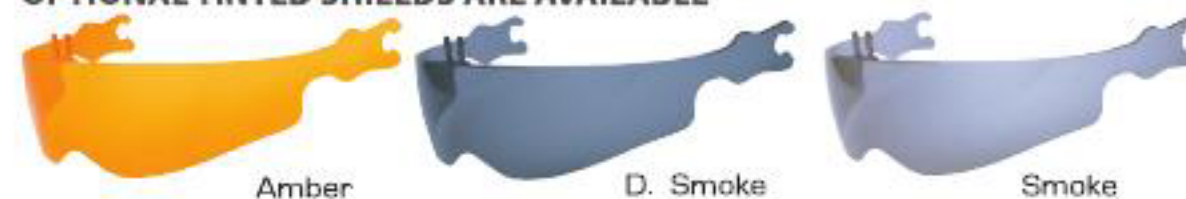
- Stage 1—Standard position:** works best for leaned forward riding position—(sportbikes) and when more nose clearance is desired.
- Stage 2—Lower position:** works best for more upright riding position (cruisers and touring bikes).
- Stage 3—Lowest position:** Used primarily for sun shield removal and replacement. Release button must be held down to get to Stage 3.



SUNSHIELDS TYPE	HELMET MODEL
HJ-V3	FS-10
HJ-V4	IS-2
HJ-V5	IS-16, IS-33, IS-MAX BT, SYMAX III
HJ-V7	RPHA MAX, FG-JET, IS-17



OPTIONAL TINTED SHIELDS ARE AVAILABLE



TEAR-OFF SHIELDS



TEAR-OFF SHIELDS
Comes complete with posts for tear-off film. Film is sold separately in 5 packs. Shields fit: AC-12, AC-12C, CL-16, CL-15, CL-SP, CS-R1, CS-R2, FS-10, FS-15, IS-16

PINLOCK TEAR-OFF SHIELDS
Pinlock® Tear-off shields are available for the HJC RPHA 10 only which uses a HJ-20 ratchet system. Simply pick the available shields and combine it with a Clear Pinlock® Insert & Tear-off Film.

❑ SIZING CHART (*Reference Only)

(Helmet Size Convention Chart)

SIZE	CENTIMETER	HAT SIZE	INCH
2XS	51-52	6 ³ / ₈ - 6 ¹ / ₂	20 - 20 ¹ / ₂
XS	53-54	6 ⁵ / ₈ - 6 ³ / ₄	20 ⁷ / ₈ - 21 ¹ / ₄
SM	55-56	6 ⁷ / ₈ - 7	21 ⁵ / ₈ - 22
MD	57-58	7 ¹ / ₈ - 7 ¹ / ₄	22 ¹ / ₂ - 22 ⁷ / ₈
LG	59-60	7 ³ / ₈ - 7 ¹ / ₂	23 ¹ / ₄ - 23 ⁵ / ₈
XL	61-62	7 ⁵ / ₈ - 7 ³ / ₄	24 - 24 ³ / ₈
2XL	63-64	7 ⁷ / ₈ - 8	24 ³ / ₄ - 25 ¹ / ₄
3XL	65-66	8 ¹ / ₈ - 8 ¹ / ₄	25 ⁵ / ₈ - 26
4XL	67-68	8 ³ / ₈ - 8 ¹ / ₂	26 ³ / ₈ - 26 ³ / ₄
5XL	69-70	8 ³ / ₄ - 8 ³ / ₄	27 ¹ / ₄ - 27 ⁵ / ₈

(RPHA SERIES, FG-17, FG-JET)

SIZE	CENTIMETER	HAT SIZE	INCH
XS	54-55	6 ³ / ₄ - 6 ⁷ / ₈	21 ¹ / ₄ - 21 ⁵ / ₈
SM	55-56	6 ⁷ / ₈ - 7	21 ⁵ / ₈ - 22
MD	57-58	7 ¹ / ₈ - 7 ¹ / ₄	22 ¹ / ₂ - 22 ⁷ / ₈
LG	58-59	7 ¹ / ₄ - 7 ³ / ₈	22 ⁷ / ₈ - 23 ¹ / ₄
XL	60-61	7 ¹ / ₂ - 7 ⁵ / ₈	23 ⁵ / ₈ - 24
2XL	62-63	7 ³ / ₄ - 7 ⁷ / ₈	24 ³ / ₈ - 24 ³ / ₄
3XL	64-65	8 - 8 ¹ / ₈	25 ¹ / ₄ - 25 ⁵ / ₈

(CL-17 & CL-17 PLUS)

SIZE	CENTIMETER	HAT SIZE	INCH
XS	54-55	6 ³ / ₄ - 6 ⁷ / ₈	21 ¹ / ₄ - 21 ⁵ / ₈
SM	56-57	7 - 7 ¹ / ₈	22 - 22 ¹ / ₂
MD	58-59	7 ¹ / ₄ - 7 ³ / ₈	22 ⁷ / ₈ - 23 ¹ / ₄
LG	60-61	7 ¹ / ₂ - 7 ⁵ / ₈	23 ⁵ / ₈ - 24
XL	62-63	7 ³ / ₄ - 7 ⁷ / ₈	24 ³ / ₈ - 24 ³ / ₄
2XL	63-64	8 - 8 ¹ / ₈	25 ¹ / ₄ - 25 ⁵ / ₈
3XL	65-66	8 ¹ / ₈ - 8 ¹ / ₄	25 ⁵ / ₈ - 26
4XL	67-68	8 ³ / ₈ - 8 ¹ / ₂	26 ³ / ₈ - 26 ³ / ₄
5XL	69-70	8 ³ / ₄ - 8 ³ / ₄	27 ¹ / ₄ - 27 ⁵ / ₈

(Youth Size)

SIZE	CENTIMETER	HAT SIZE	INCH
YOUTH S	49-50	6 ¹ / ₈ - 6 ¹ / ₄	19 ¹ / ₄ - 19 ³ / ₄
YOUTH M	51-52	6 ³ / ₈ - 6 ¹ / ₂	20 - 20 ¹ / ₂
YOUTH L	53-54	6 ⁵ / ₈ - 6 ³ / ₄	20 ⁷ / ₈ - 21 ¹ / ₄
YOUTH S/M	49-50	6 ¹ / ₈ - 6 ¹ / ₄	19 ¹ / ₄ - 19 ³ / ₄
YOUTH L/XL	51-52	6 ³ / ₈ - 6 ¹ / ₂	20 - 20 ¹ / ₂

❑ SELECTING THE RIGHT HELMET

⚠ WARNING Never buy a used helmet or borrow someone else's helmet. Over time the protective foam in helmets will adjust to the contours of a user's head. A used or borrowed helmet may not offer as much protection as a new helmet.

⚠ WARNING Wearing the wrong size helmet can increase your risk of serious injury or death in an accident. A helmet that is too large for your head may be dislodged or knocked off in an accident. To select the right size helmet for your head, follow these instructions:

- 1. Measure your head.** Wrap a tape measure around your head about one inch (2.5 cm) above your eyebrows.
- 2. Use the sizing chart** to select the helmet size that corresponds most closely to your head measurement. If your head size falls between two helmet sizes, try on the larger helmet first and then the smaller size.
- 3. Try on the helmet** by grasping both chin straps to pull the helmet completely onto your head, ensuring that the top of your head is in contact with the top of the helmet interior.
- 4. Check for a proper fit.** To make sure your helmet is the right size, check that:
 - The helmet inner lining fits snugly around your head.
 - The top pad presses firmly on your head.
 - There is no space around your brow under the inner lining. Test this by trying to insert your fingers.

If the helmet does not fit snugly, try on a smaller size.

- 5. Check your field of vision when trying on a helmet.** Some helmets may obstruct or block your vision when looking left, right, up, or down.

⚠ WARNING Always make sure you can see well enough to safely operate your motorcycle.

- 6. Test the helmet fit** by placing your hands on each side of the helmet. While holding your head as motionless as possible, try rotating your helmet from left to right then up and down. If you can feel the helmet padding sliding on your head, it is too big, try a size smaller. You should feel the helmet move the skin on your head and face as you try to move the helmet.



- 7. Fasten the retention system (chin strap)** as tight as possible under your jaw without causing pain. There must be no slack in the strap, and the strap must be tight up against your jaw. See page 5-6.

- 8. Test the retention system (chin strap)**

- Put your hands on the back of the helmet and try to push the helmet off by rotating it forward.
- Put your hands on the front of the helmet above your forehead (or on the chin guard) and try to push the helmet off by rotating backward.



⚠ WARNING If helmet comes off, try another size or another model or brand.

Repeat steps 3 through 8 until you find a helmet that fits your head snugly and securely.