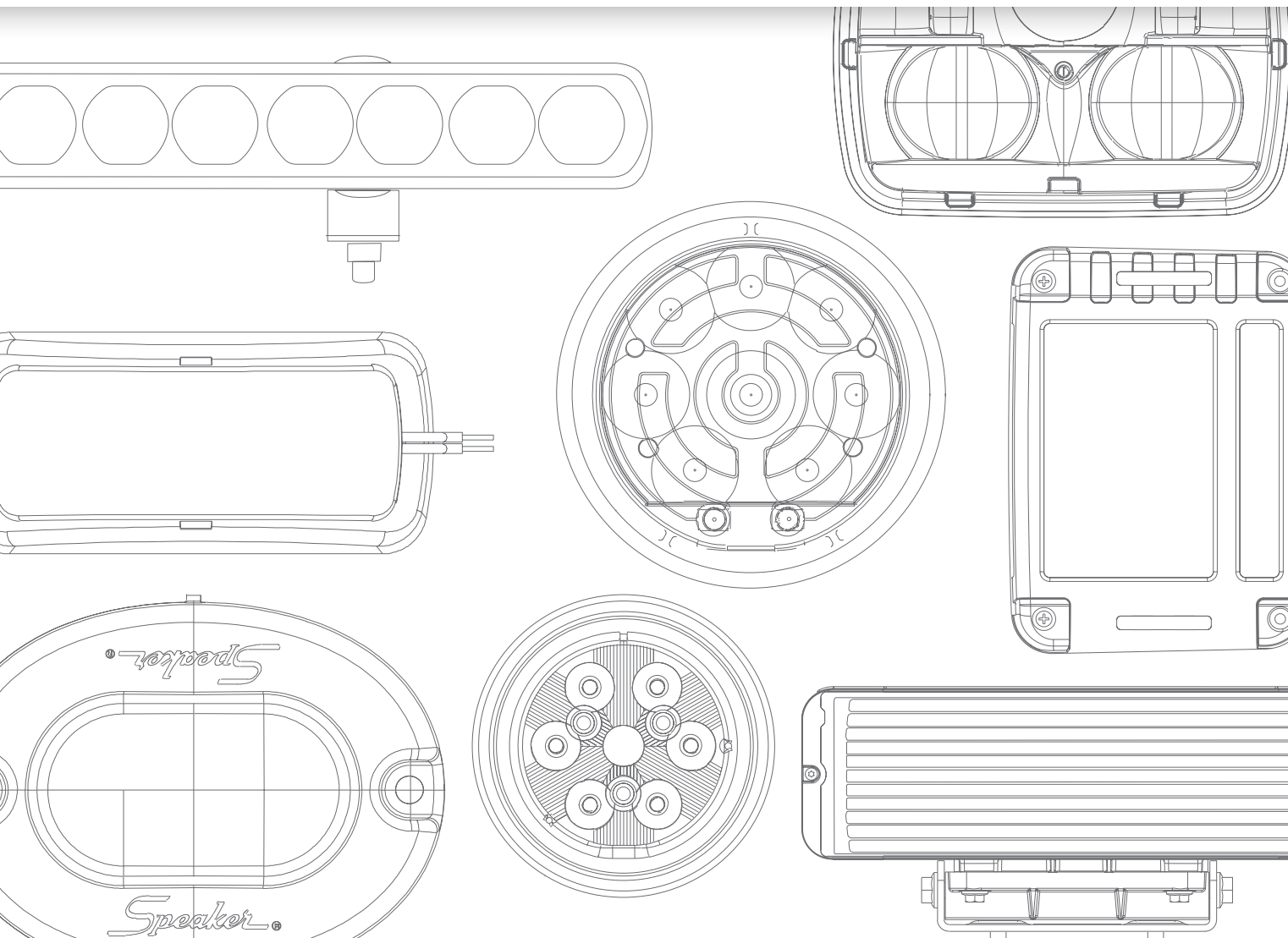


WORK LIGHT CATALOG



J.W. SPEAKER BRINGS SCIENCE & DESIGN TOGETHER.

We view vehicle lighting from the perspective that matters most — Yours. Our engineers advance the science of light further each day to improve your safety. Our designers make vehicles look more beautiful from every point of view. You only get this unique mix of **science & design** from authentic J.W. Speaker products.

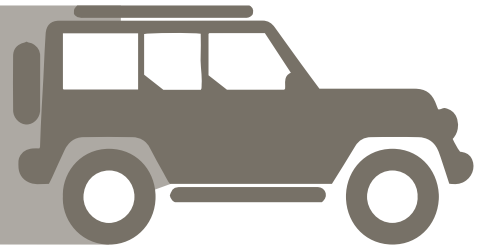


TABLE OF CONTENTS

Icon Guide	4
Regulations & Key Terms	5
Lumens & Beam Patterns	7
Color Temperature & IP Ratings	8
Work Light Beam Patterns	9
Company History	10-11
Worklights	12-50
SmartHeat®	51-64
Stop & Tail Lights	65-91
Interior Lights	92-100
Warning Lights	101-116
Index	117-121
OEM	122
Aftermarket	123



ICON GUIDE

AUTOMOTIVE = 

POWER SPORTS = 



JEEP 4X4



PICKUP TRUCK



MOTORCYCLE



UTV/ATV

TRANSPORT = 



HEAVY DUTY TRUCK



EMERGENCY VEHICLE



BUS

INDUSTRIAL = 



MATERIAL HANDLING



MINING



CONSTRUCTION



AGRICULTURE

SURPASSING STANDARDS WORLDWIDE.

J.W. Speaker is committed to making the best products to be used legally on-road around the world. To do that, we design lights that meet and exceed the requirements for a variety of regulations:



The Federal Motor Vehicle Safety Standard regulates all automotive lighting, signaling, and reflective devices in the U.S.A. and is enforced by the Department of Transportation (**DOT**)



Many countries recognize the United Nations Economic Commission for Europe (**ECE**) Transport Division's regulations and mirror the ECE regulations in their own national requirements



SAE International develops standards for the engineering of powered vehicles mainly in the U.S.A. and Canada, including cars, trucks, boats, aircraft, and more



Transport Canada is responsible for developing regulations, policies, and services relating to transportation in Canada



The Australian Design Rules (**ADR**) are national standards for vehicle safety, anti-theft, and emissions

KEY TERMS

Daytime Running Light (DRL): Headlights that include DRL in their design will automatically switch on the daytime running lamp when the vehicle is moving forward, emitting a white light to increase the visibility of the vehicle during daylight conditions.

Front Position (FP): This part of a headlight provides added visibility of your vehicle to other drivers, particularly helpful for nighttime visibility while parked.

Left Hand Traffic (LHT): referring to which side of the road a driver uses. For instance, a driver in the UK is Left Hand Traffic and would use two LHT lights.

Right Hand Traffic (RHT): referring to which side of the road a driver uses. For instance, a driver in Canada is Right Hand Traffic would use two RHT lights.





LUMENS & BEAM PATTERNS

RAW LUMENS:

A measure of the **theoretical** output of a light

Calculated by multiplying the manufacturer's lumen rating for the LED by the number of LEDs in the finished light

Does not represent the actual light output as it doesn't account for thermal, assembly and optical losses that impact all lights

Example Calculation:

LED is rated at 100 Lumens

8 LEDs in the finished light

100 x 8 = 800 Raw Lumens

EFFECTIVE LUMENS:

A measure of the **actual** output of a light

Measured using a photometric testing device for an exact measurement of a finished light for an accurate value of light output

Represents the actual light output of the finished light after thermal, assembly and optical losses

Example Measurement:

Raw Lumens = 800

Losses = ~40% of Raw Lumens (800 x .4 = 320)

800 - 320 = 480 Effective Lumens

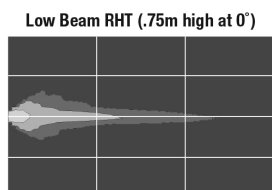
J.W. Speaker uses photometric testing devices and optical engineers to measure the Effective Lumens of our products to give you accurate light output values.

BEAM PATTERNS

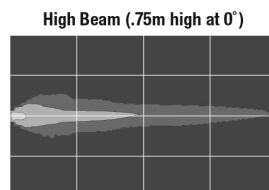
Each light pattern is designed and tested by optical engineers to give you the best possible beam pattern to drive behind.

Below are examples of the common beam patterns.

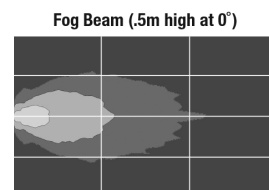
Our engineers design each product to project light in the areas you need it **and** comply with the legal requirements for on-road use in the countries the product is intended to be used in.



Illuminates across the road and ahead of the vehicle, with a cutoff to prevent glare for oncoming traffic



Bright light for distance illumination above and below the horizon, when not following or passing vehicles



Short and wide pattern to illuminate area just above the ground & in front of the vehicle

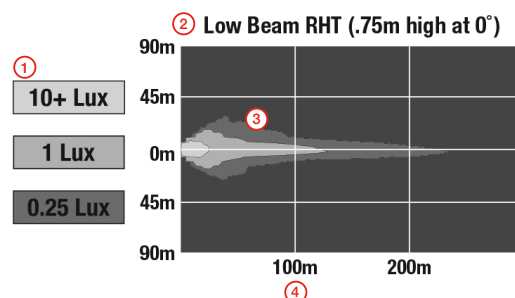
PARTS OF A LIGHT DIAGRAM

Lux Key¹: Intensity of the light measured

Title²: The type of beam pattern, and the height and angle of the light when it was measured

Light Pattern³: A "bird's eye view" showing the shape, intensity, and distance

Distance Markers⁴: Reference in meters (m) for the size and distance of the light pattern



COLOR TEMPERATURE & IP RATINGS

Measured in degrees Kelvin, color temperature describes how cool or warm the light emitted by a source is. Any object will emit light if it is heated to a high enough temperature. The color of the light will change in a predictable way as the temperature increases, shown on the Kelvin Scale.

Warm: 0 to 3,000K

Used in living spaces or retail stores
 Similar to the rising and setting sun
 Can fatigue eyes and make people feel tired

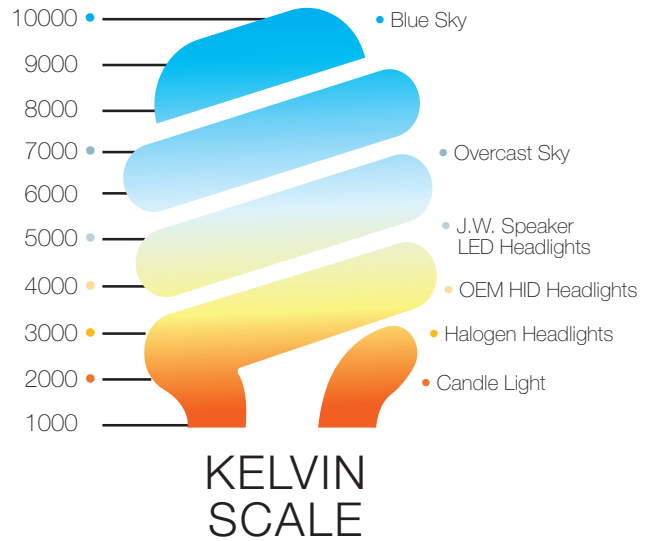
Neutral White: 3,500 to 4,900K

Used in bathrooms, offices, classrooms & malls
 Clean and neutral lighting that is inviting
 Promotes efficiency and similar to daylight

Cool: 5,000-7,000K

Used in hospitals, manufacturing, & construction areas
 Promotes alertness and attention to detail
 Mimics daylight and makes people feel more awake

J.W. Speaker uses LEDs and designs lights with a color temperature of 5,000K to give drivers crisp, white light for the best visibility, and to promote alertness and safety.



Color temperature does not measure or indicate the physical heat coming from a light source.

IP RATINGS

The Ingress Protection (IP) Code outlines a system of classification for the protection of electrical enclosures against the intrusion of foreign bodies like tools, fingers, dust, and moisture. The system of classification was specified by the International Electrotechnical Commission and is officially designated as IEC 60529.

FIRST # - DEGREE OF INGRESS PROTECTION

The degree of protection against contact with moving parts and the degree that the equipment is protected against solid foreign bodies intruding into an enclosure.

IP #	DESCRIPTION
0	No protection provided.
1	Protection against entry of objects larger than 50 square mm.
2	Protection against entry of objects larger than 12 square mm.
3	Protection against entry of objects larger than 2.5 square mm.
4	Protection against entry of objects larger than 1.0 square mm.
5	Protection against entry of dust in sufficient quantity to prevent satisfactory operation.
6	Complete protection against entry dust.

SECOND # - DEGREE OF MOISTURE PROTECTION

The degree of protection for the equipment inside the enclosure against the harmful entry of various forms of moisture (e.g. dripping, spraying, submersion, etc.)

IP #	DESCRIPTION
0	No protection provided.
1	Protection against drops of water falling vertically.
2	Protection against drops of water falling vertically when the light assembly is tilted up to 15 degrees from its normal position.
3	Protection from entry of water spray from angle of up to 60 degrees from vertical.
4	Protection from entry of water splashes or spray from any direction.
5	Protection from a low pressure jet of water in any direction.
6	Protection against heavy seas or a strong jet of water in any direction.
7	Protection against immersion up to 1 meter.
8	Protection against submersion over 1 meter.
9K	Protection against high pressure cleaning

WORK LIGHT BEAM PATTERNS

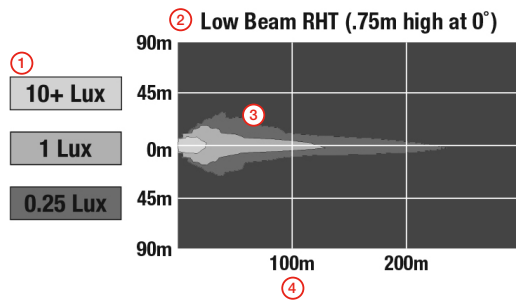
PARTS OF A LIGHT DIAGRAM

Lux Key¹: Intensity of the light measured

Title²: The type of beam pattern, and the height and angle of the light when it was measured

Light Pattern³: A "bird's eye view" showing the shape, intensity, and distance

Distance Markers⁴: Reference in meters (m) for the size and distance of the light pattern



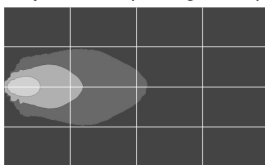
WORK LIGHTS

Each light pattern is designed and tested by optical engineers to give you the best possible beam pattern to drive behind.

Below are examples of the common beam patterns.

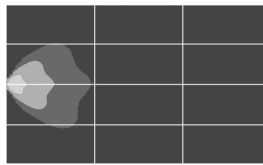
Our engineers design each product to project light in the areas you need it and comply with the legal requirements for on-road use in the countries the product is intended to be used in.

Trapezoid Beam (2.5m high at -15°)



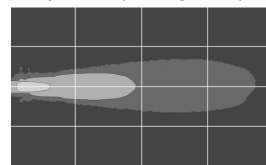
A general purpose work light and ideal for use where a narrower pattern for longer visibility is required.

Flood Beam (2.5m high at -15°)



Short and wide pattern to evenly illuminate a work zone area. Flood lights can have tailored degrees of flood from 20° up to 120°.

Spot Beam (2.5m high at -5°)



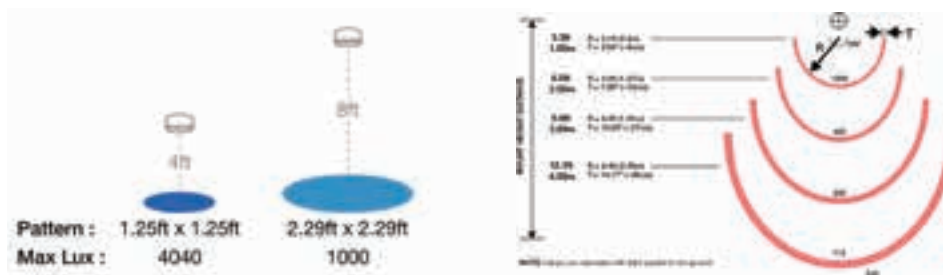
A powerful supplement to Flood, Trap and low beam to illuminated roads or paddocks at longer distances.

WARNING LIGHTS

Our safety and warning lights draw attention to hazardous conditions in industrial facilities, construction zones, and on agricultural equipment and alert employees and the public to potential dangerous situations.

Whether you need to indicate a hazardous location or remind workers of personal safety requirements, help establish safety awareness with LED warning lights.

Below are examples of the common beam patterns.



A LEGACY OF INNOVATION

OEM ORIGINS

1935

J.W. Speaker Corporation founded by John W. Speaker to manufacture tube & tire repair products



1940S

Supplied the U.S. Military during World War II, including compact folding stoves and tire repair products; Designed & patented the iconic P-38 can openers and Heatab dry fuel.

After the war, shifted focus to manufacturing mirrors and lighting products for trucks and cars.



1960S

John W. Speaker unexpectedly passed away and his son, Jack, became President.

Expanded into lighting on original equipment manufacturing (OEM) for lawn & garden and golf & turf tractors.



1980S

Tim & Jamie Speaker, grandsons of the founder John W. Speaker, formally join the company and became Co-Presidents.

J.W. Speaker became solely focused on vehicle lighting, growing the business with custom designed lighting for agriculture OEM customers

1990S

Production on first custom headlamp for Arctic Cat snowmobile began, pushing into the power sport market.

Partnerships with premier OEM customers like Harley-Davidson, U.S. military, and development on custom lighting products began.



AND AFTERMARKET GROWTH



First LED light with solid optic technology designed, providing a pathway for future product development

2000S

International expansion and growing portfolio of OEM products in the industrial, mining, power sport, and construction markets



Harnessed experience from OEM products and entered the aftermarket with the first-of its-kind 7" round LED headlight for Jeeps

2012

Established distribution channels and expanded the company product portfolio into the aftermarket

Launched the world's first Adaptive Motorcycle Headlight™ with technology that automatically fills dark areas of the road when cornering on a bike

2015



SmartHeat® technology launched in headlights and work lights with integrated lens technology to de-ice lenses, to improve driver visibility & safety

2017



Released Evo J3™ headlight and Trail 6™ off-road light, both compatible with new J-Link™ mobile app, giving drivers control and customization options for their lights

2019



12 - 1 B

Good
91
Voll



WORK LIGHTS

WORK LIGHT BEAM PATTERNS

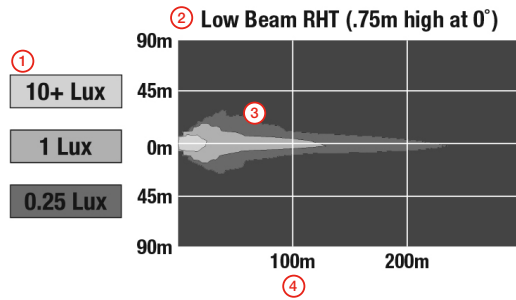
PARTS OF A LIGHT DIAGRAM

Lux Key¹: Intensity of the light measured

Title²: The type of beam pattern, and the height and angle of the light when it was measured

Light Pattern³: A "bird's eye view" showing the shape, intensity, and distance

Distance Markers⁴: Reference in meters (m) for the size and distance of the light pattern



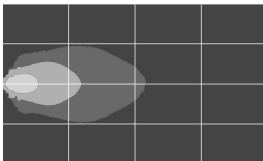
WORK LIGHTS

Each light pattern is designed and tested by optical engineers to give you the best possible beam pattern to drive behind.

Our engineers design each product to project light in the areas you need it and comply with the legal requirements for on-road use in the countries the product is intended to be used in.

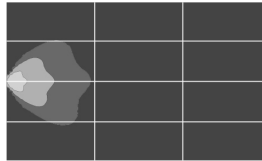
Below are examples of the common beam patterns.

Trapezoid Beam (2.5m high at -15°)



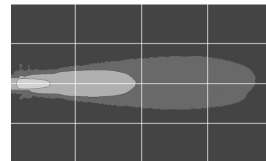
A general purpose work light and ideal for use where a narrower pattern for longer visibility is required.

Flood Beam (2.5m high at -15°)



Short and wide pattern to evenly illuminate a work zone area. Flood lights can have tailored degrees of flood from 20° up to 120°.

Spot Beam (2.5m high at -5°)



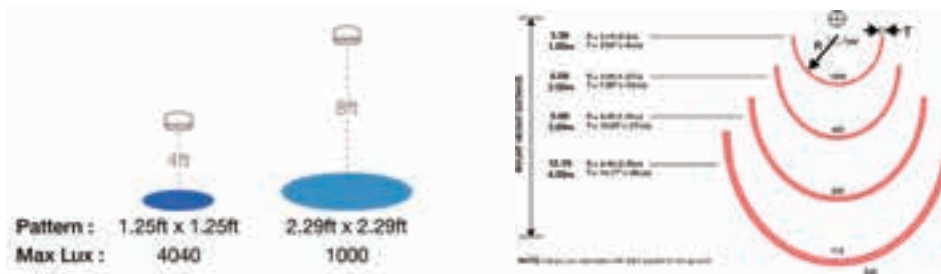
A powerful supplement to Flood, Trap and low beam to illuminate roads or paddocks at longer distances.

WARNING LIGHTS

Our safety and warning lights draw attention to hazardous conditions in industrial facilities, construction zones, and on agricultural equipment and alert employees and the public to potential dangerous situations.

Whether you need to indicate a hazardous location or remind workers of personal safety requirements, help establish safety awareness with LED warning lights.

Below are examples of the common beam patterns.



MODEL 502

PRODUCT SPECIFICATIONS

Raw Lumen Output:
1,500

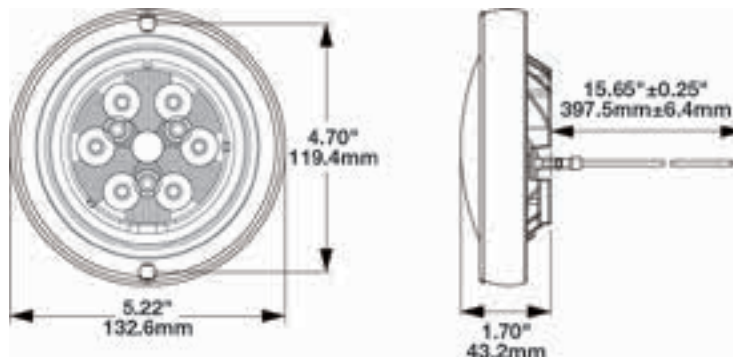
Effective Lumen Output:
1,070

Connector/Wiring:
11" Bare Leads

Operating Voltage:
10-60V DC

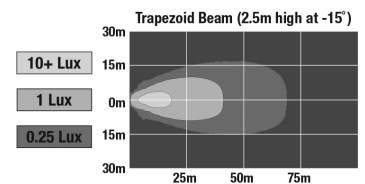
Current Draw:
1.04A @ 12V DC
0.5A @ 24V DC
0.33A @ 36V DC
0.26A @ 48V DC

Application & Standards:



PART #	DESCRIPTION
--------	-------------

0942431	12-48V LED Work Light with Trapezoid Beam Pattern
---------	---



MODEL 518



PRODUCT SPECIFICATIONS

Raw Lumen Output:
1,700

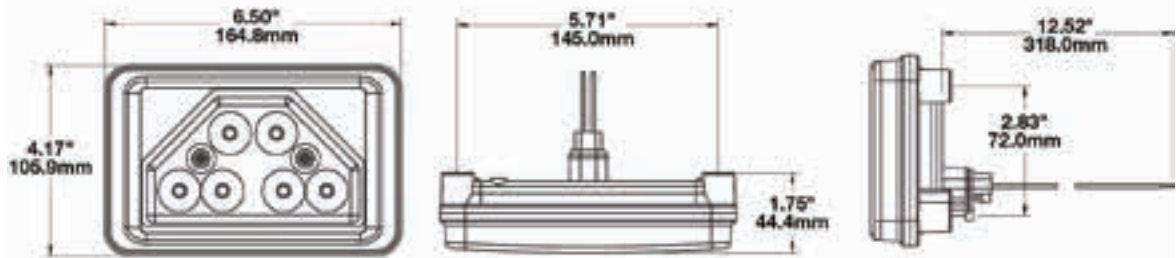
Effective Lumen Output:
1,000

Connector/Wiring:
2-Pin Deutsch Weather-Proof Plug (DT06-2S)

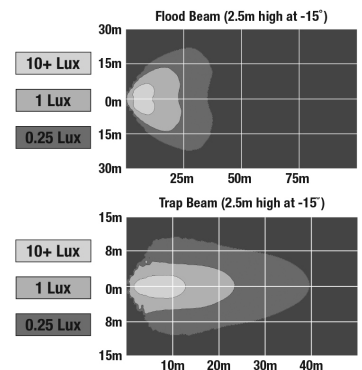
Operating Voltage:
9-32V DC

Current Draw:
1.6A @ 12V DC
0.8A @ 24V DC

Application & Standards:



PART #	DESCRIPTION
1300281	12-24V LED Work Light with Flood Beam Pattern & Low Profile Mount
1300271	12-24V LED Work Light with Trapezoid Beam Pattern & Low Profile Mount



PRODUCT SPECIFICATIONS

Raw Lumen Output:
8,100

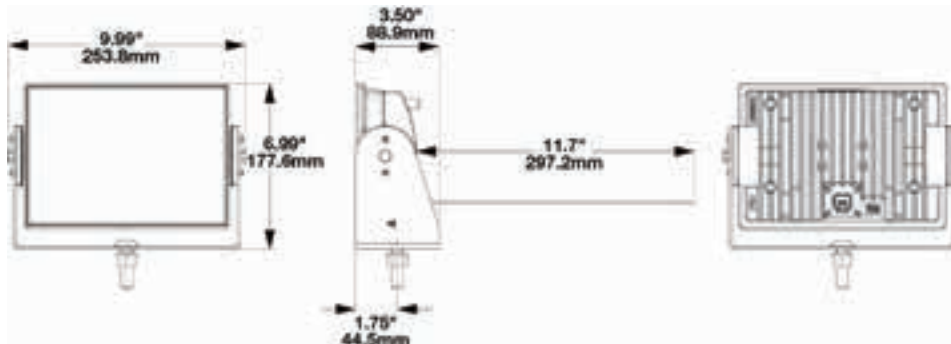
Effective Lumen Output:
3,900

Connector/Wiring:
Integrated 2-Pin Deutsch Connector (DT04-2P)

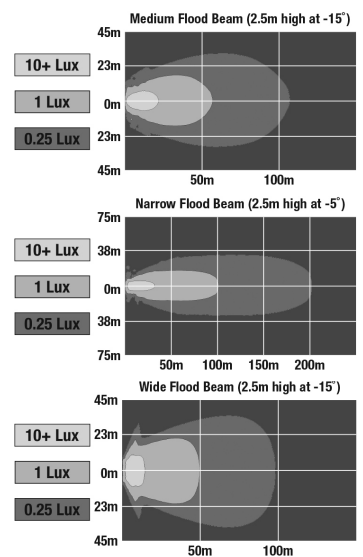
Operating Voltage:
12-24V DC

Current Draw:
6.70A @ 12V DC
3.70A @ 24V DC

Application & Standards:



PART #	DESCRIPTION
0551431	12-24V LED Work Light with Medium Flood Beam Pattern
0551441	12-24V LED Work Light with Narrow Flood Beam Pattern
0551451	12-24V LED Work Light with Wide Flood Beam Pattern
0549641	12-24V LED Work Light with Narrow Flood Beam Pattern & Yellow Housing
0549631	12-24V LED Work Light with Wide Flood Beam Pattern & Yellow Housing



MODEL 523 WIDE FLOOD



PRODUCT SPECIFICATIONS

Raw Lumen Output:
8,100

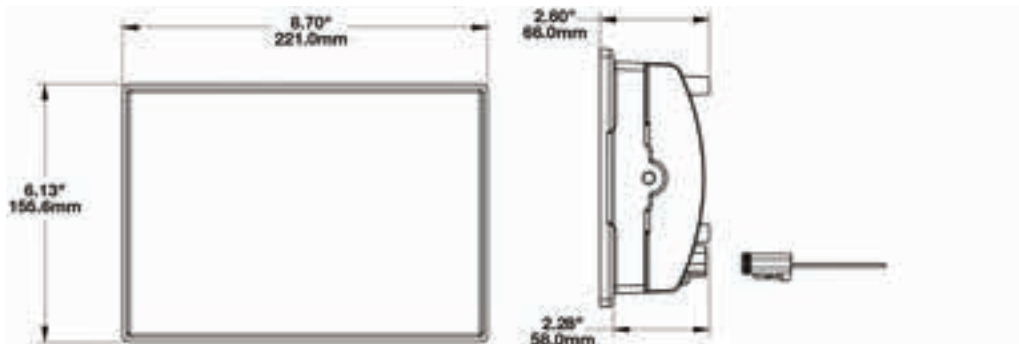
Effective Lumen Output:
3,900

Connector/Wiring:
Integrated 2-Pin Deutsch Connector (DT04-2P)

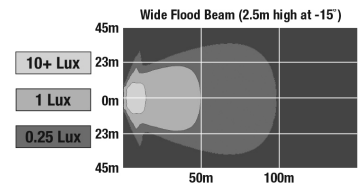
Operating Voltage:

Current Draw:
6.7A @ 12V DC
3.7A @ 24V DC

Application & Standards:



PART #	DESCRIPTION
0543881	12-24V LED Work Light with Wide Flood Beam Pattern



MODEL 526

PRODUCT SPECIFICATIONS

Raw Lumen Output:
9,000

Effective Lumen Output:
5,800

Connector/Wiring:
iCONN Connector - iMATE23

Operating Voltage:
10-32V DC

Current Draw:
9.00A @ 12V DC
5.00A @ 24V DC

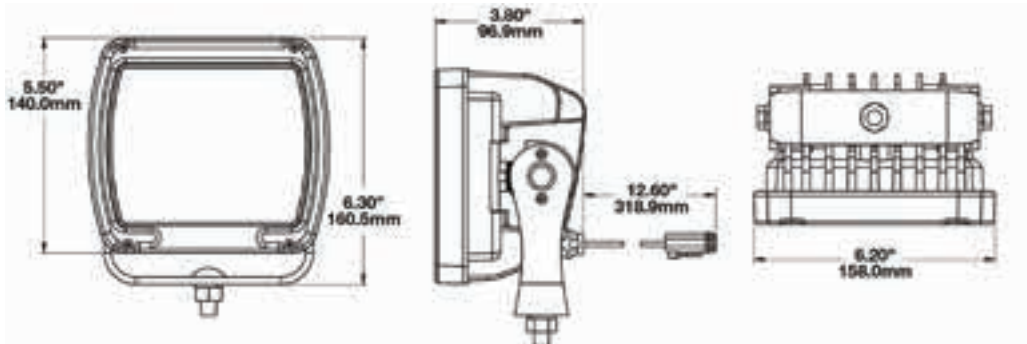
Application & Standards:



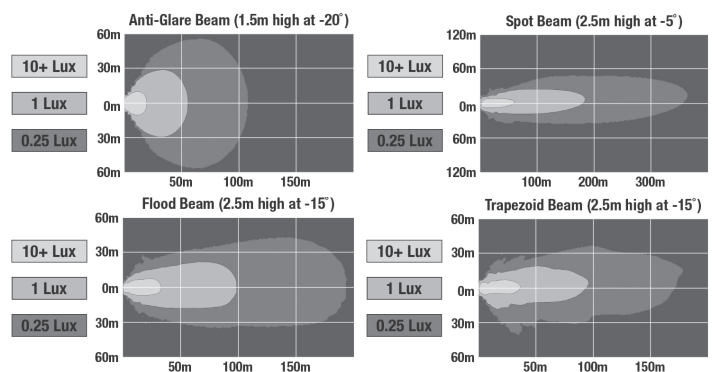
TRAP BEAM



LOW BEAM



PART #	DESCRIPTION
1300431	Black/Polycarbonate Lens/Flood Beam
1300441	Black/Polycarbonate Lens/Spot Beam
1300451	Black/Polycarbonate Lens/Trapezoid Beam
1300483	Black/Polycarbonate Lens/Flood Beam/2 Light Kit
1300461	Black/Polycarbonate Lens/Anti-Glare Beam
1300201	Yellow/Polycarbonate Lens/Flood Beam
1300191	Yellow/Polycarbonate Lens/Anti-Glare Beam
1300221	Yellow/Polycarbonate Lens/Spot Beam
1300211	Yellow/Polycarbonate Lens/Trapezoid Beam
1300061	Yellow/Glass Lens/Flood Beam
1300051	Yellow/Glass Lens/Anti-Glare Beam
1300081	Yellow/Glass Lens/Spot Beam
1300071	Yellow/Glass Lens/Trapezoid Beam



MODEL 528



PRODUCT SPECIFICATIONS

Raw Lumen Output:
2,400

Effective Lumen Output:
1,500

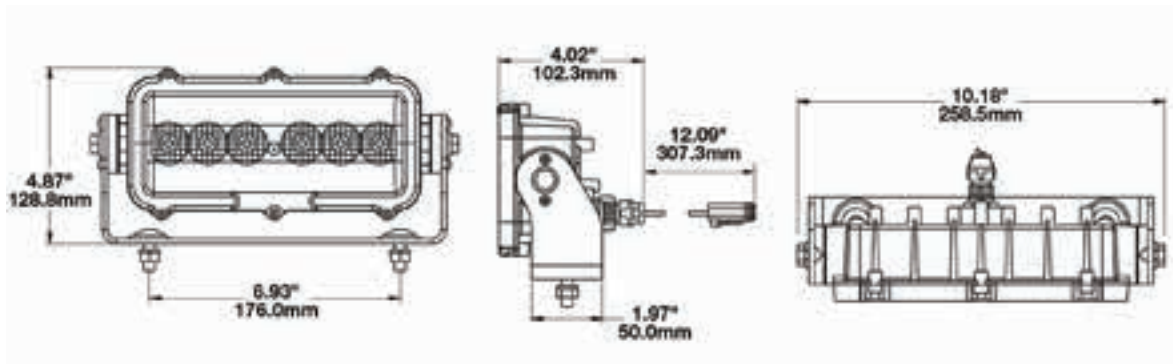
Candela Output:
2,800

Connector/Wiring:
Integrated 2-Pin Deutsch Connector (DT04-2P)

Operating Voltage:
10-32V DC

Current Draw:
1.60A @ 12V DC
0.85A @ 24V DC

Application & Standards:



PART # DESCRIPTION

0551251 12-24V LED White Work Light

PRODUCT SPECIFICATIONS

Raw Lumen Output:
40,000; 33,600

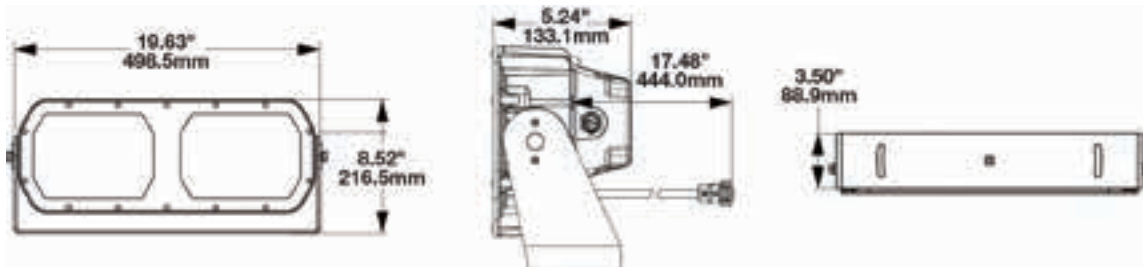
Effective Lumen Output:
20,000; 20,500

Connector/Wiring:

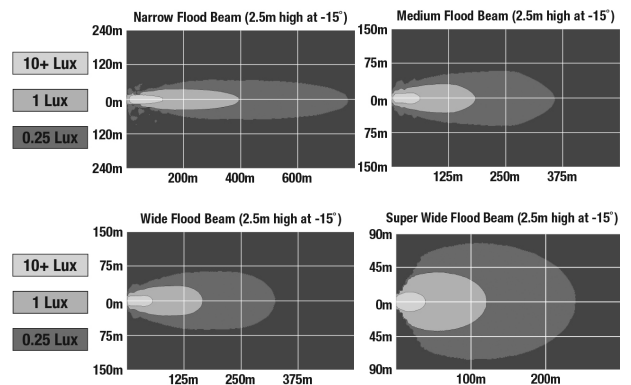
Operating Voltage:
16-60V; 100-277V DC

Current Draw:
10A @ 24V DC
5A @ 48V DC
4A @ 115V AC

Application & Standards:



PART #	DESCRIPTION
0546681	16-60V LED Work Light with Medium Flood Beam Pattern
0546671	16-60V LED Work Light with Narrow Flood Beam Pattern
0546691	16-60V LED Work Light with Wide Flood Beam Pattern
0556173	100-277V LED Work Light with Narrow Flood Beam Pattern - Kit
0556183	100-277V LED Work Light with Medium Flood Beam Pattern - Kit
0556193	100-277V LED Work Light with Wide Flood Beam Pattern - Kit



MODEL 660

PRODUCT SPECIFICATIONS

PANEL MOUNT



Raw Lumen Output:
2,750

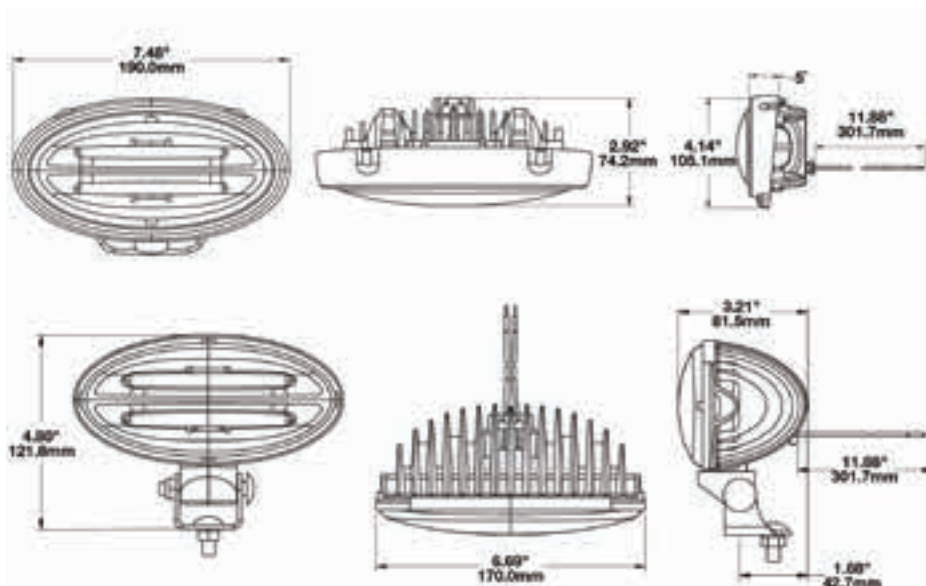
Effective Lumen Output:
2,200

Connector/Wiring:
Packard (#12059183)

Operating Voltage:
9-28V DC

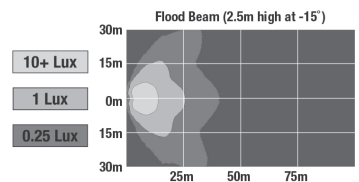
Current Draw:
2.0A @ 12V DC
1.0A @ 24V DC

Application & Standards:



PART # DESCRIPTION

0548511	12-24V LED Work Light with Flood Beam Pattern & Pedestal Mount
0548521	12-24V LED Work Light with Flood Beam Pattern & Panel Mount



PRODUCT SPECIFICATIONS

Raw Lumen Output:

1,080

Effective Lumen Output:

780

Connector/Wiring:

2-Pin Deutsch Weather-Proof Plug (DT06-2S)

Operating Voltage:

10-30V DC

Current Draw:

Non-Heated: 1.3A @ 12V; 0.6A @ 24V DC

Heated: 2.1A @ 12V; 1.1A @ 24V DC

Application & Standards:



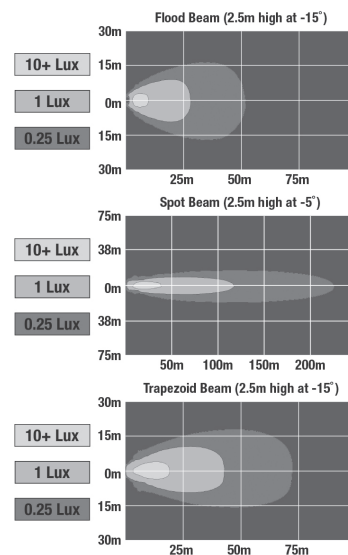
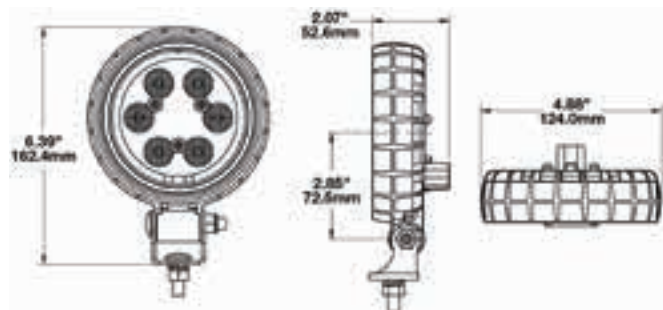
HEATED

PART #	DESCRIPTION
1403471	12-24V LED Heated Work Light with Flood Beam Pattern
1403481	12-24V LED Heated Work Light with Spot Beam Pattern
1403491	12-24V LED Heated Amber Work Light with Flood Beam Pattern
1403501	12-24V LED Heated Amber Work Light with Spot Beam Pattern

NON-HEATED

PART #	DESCRIPTION
1403241	12-24V LED Work Light with Flood Beam Pattern
1403261	12-24V LED Work Light with Spot Beam Pattern
1403251	12-24V LED Work Light with Trapezoid Beam Pattern
1403291	12-110V LED Work Light with Flood Beam Pattern
1403281	12-110V LED Work Light with Spot Beam Pattern
1403271	12-110V LED Work Light with Trapezoid Beam Pattern

PART #	ACCESSORIES
8200011	Magnet Mount Kit for XD Series Work Lights
8200101	Stainless Steel Mounting Kit for Work Lights & Marine Lights
8200121	Black Mounting Kit for Work Lights & Marine Lights



MODEL 680 XD



PRODUCT SPECIFICATIONS

Raw Lumen Output:
2,385

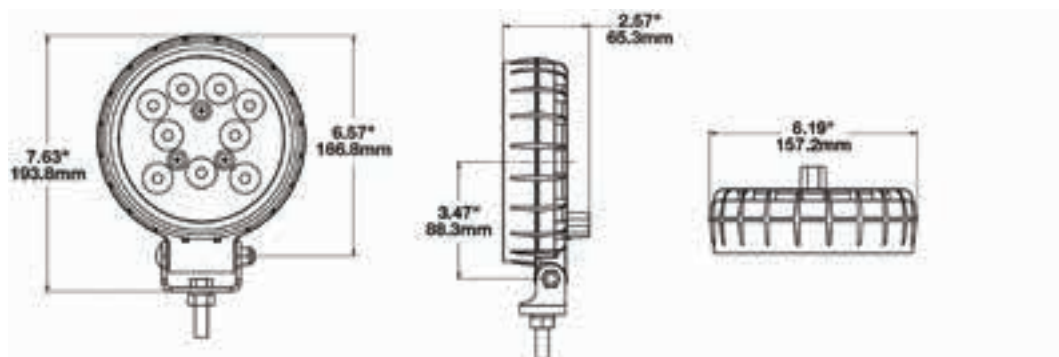
Effective Lumen Output:
1,260

Connector/Wiring:
Integrated 2-Pin Deutsch Connector (DT04-2P)

Operating Voltage:
10-32V DC

Current Draw:
2A @ 12V DC
1A @ 24V DC

Application & Standards:

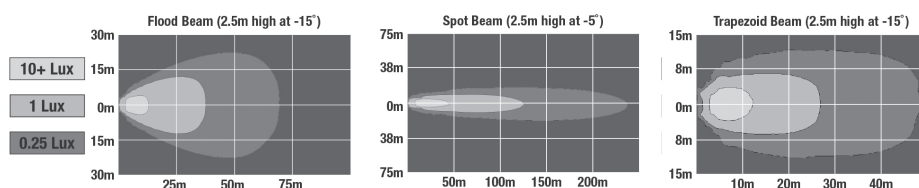


PART # DESCRIPTION

1501641	12-24V LED Work Light with Flood Beam Pattern
1501661	12-24V LED Work Light with Spot Beam Pattern
1501651	12-24V LED Work Light with Trapezoid Beam Pattern

PART # ACCESSORIES

8200011	Magnet Mount Kit for XD Series Work Lights
8200101	Stainless Steel Mounting Kit for Work Lights & Marine Lights
8200121	Black Mount Kit for XD Series Work Lights



MODEL 710

PRODUCT SPECIFICATIONS

Raw Lumen Output:
2,000 (6 LEDs); 1,630 (3 LEDs)

Effective Lumen Output:
1,600 (6 LEDs); 780 (3 LEDs)

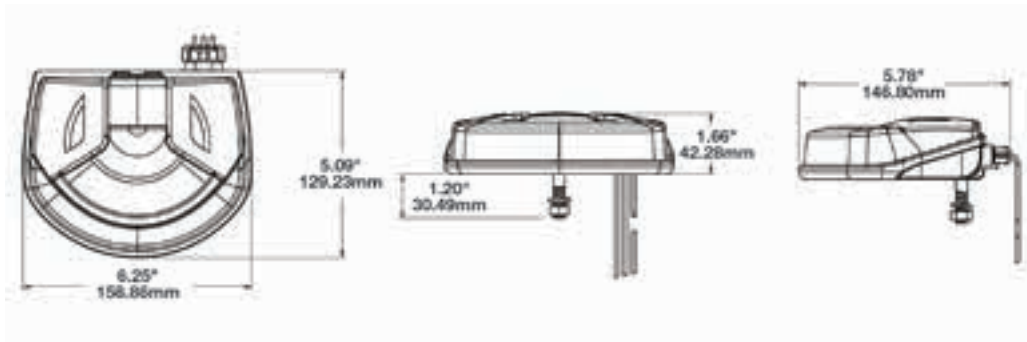
Connector/Wiring:
Integrated 3-Pin Packard
Integrated 2-Pin Deutsch

Operating Voltage:
9-110V DC

Current Draw:
3 LEDs: 1.54A @ 12V; 0.67A @ 24V; 0.33A @ 60V; 0.20A @ 110V DC
6 LEDs: 1.59A @ 12V; 0.74A @ 24V; 0.34A @ 60V; 0.23A @ 110V DC

Retrofit Information:
Compact work light, ideal for material handling equipment like forklifts

Application & Standards:

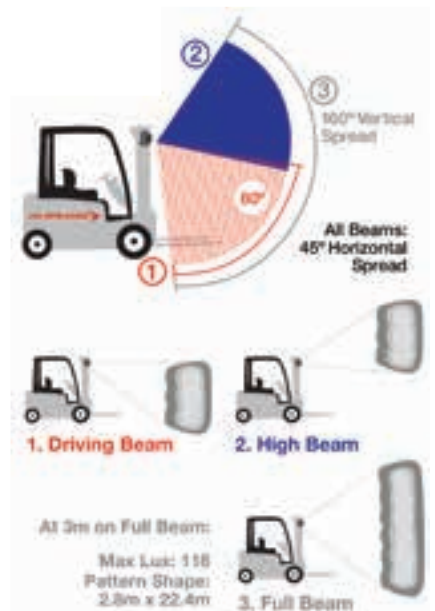


PART # DESCRIPTION

1000121	2-Pin Vertical Flood Beam
1000101	3-Pin Vertical Flood Beam

PART # ACCESSORIES

8200501	Click Bond Stud Mounting Kit
---------	------------------------------



MODEL 735



PRODUCT SPECIFICATIONS

Raw Lumen Output:
3,900

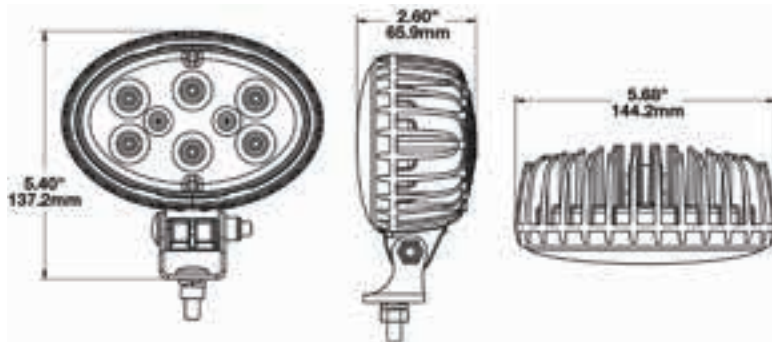
Effective Lumen Output:
2,600

Connector/Wiring:
Integrated 2-Pin Deutsch Connector (DT04-2P)

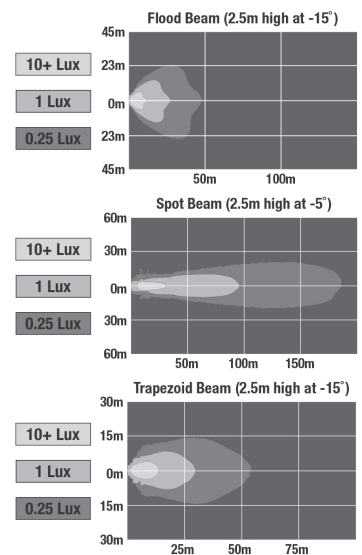
Operating Voltage:
10-36V DC

Current Draw:
3.50A @ 12V DC
1.75A @ 24V DC

Application & Standards:



PART #	DESCRIPTION
1706591	12-24V LED Work Light with Flood Beam Pattern
1706571	12-24V LED Work Light with Spot Beam Pattern
1706581	12-24V LED Work Light with Trapezoid Beam Pattern
1706801	12-24V LED Work Light with Amber Lens & Trapezoid Beam Pattern
1706781	12-32V LED Work Light with Flood Beam Pattern with Connector PE12015792
1706811	12-32V LED Work Light with Trapezoid Beam Pattern with Connector PE12015792
1706821	12-32V LED Work Light with Spot Beam Pattern with Connector PE12015792
1707031	12-32V LED Work Light with Flood Beam Pattern with Connector PE12015792
1707041	12-32V LED Work Light with Trapezoid Beam Pattern with Connector PE12015792
1707051	12-32V LED Work Light with Spot Beam Pattern with Connector PE12015792
1706591	12-32V LED Work Light with Flood Beam Pattern with Harness
1706581	12-32V LED Work Light with Trapezoid Beam Pattern with Harness
1706571	12-32V LED Work Light with Spot Beam Pattern with Harness



MODEL 736

PRODUCT SPECIFICATIONS

Raw Lumen Output:
2,700

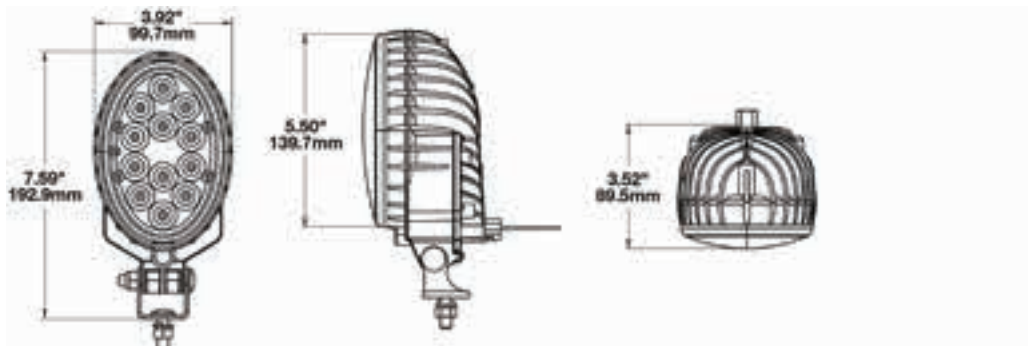
Effective Lumen Output:
1,400

Connector/Wiring:
2-Pin Deutsch Weather-Proof Plug (DT06-2S)

Operating Voltage:
9-16V DC

Current Draw:
3.7A @ 12V DC

Application & Standards:



PART # DESCRIPTION

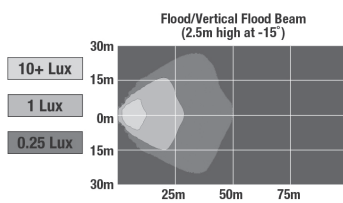
1704911 12V LED Work Light with Vertical Flood Beam Pattern

PART # ACCESSORIES

8200011 Magnet Mount Kit for XD Series Work Lights

8200101 Stainless Steel Mounting Kit for Work Lights & Marine Lights

8200121 Black Mounting Kit for Work Lights & Marine Lights



MODEL 770 XD



PRODUCT SPECIFICATIONS

Raw Lumen Output:
900

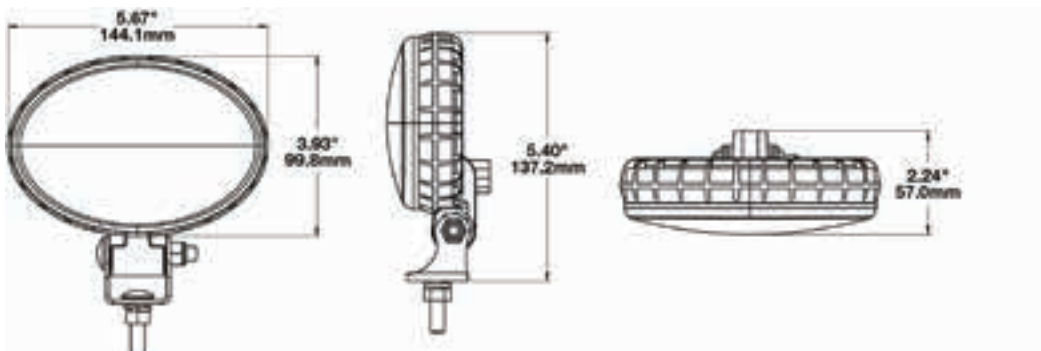
Effective Lumen Output:
700

Connector/Wiring:
2-Pin Deutsch Weather-Proof Plug (DT06-2S)
PE12015792 Connector

Operating Voltage:
10-15V; 10-55V DC

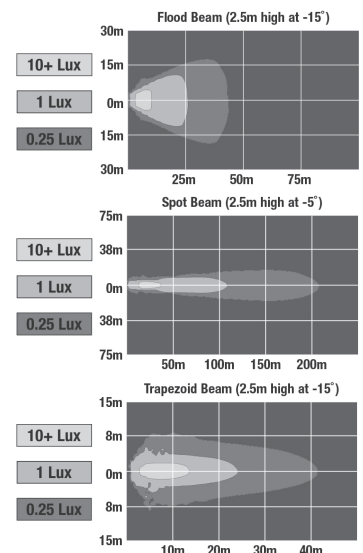
Current Draw:
1A @ 12V DC
0.48A @ 24V DC
0.32A @ 36V DC
0.25A @ 48V DC

Application & Standards:



PART #	DESCRIPTION
1706041	12V LED Work Light with Flood Beam Pattern & DT04-2P Connector
1706051	12V LED Work Light with Trapezoid Beam Pattern & DT04-2P Connector
1706241	12-48V LED Work Light with Flood Beam Pattern & DT04-2P Connector
1706261	12-48V LED Work Light with Spot Beam Pattern & DT04-2P Connector
1706251	12-48V LED Work Light with Trapezoid Beam Pattern & DT04-2P Connector
1706461	12-48V LED Work Light with Flood Beam Pattern & PE12015792 Connector

PART #	ACCESSORIES
8200011	Magnet Mount Kit for XD Series Work Lights
8200101	Stainless Steel Mounting Kit for Work Lights & Marine Lights
8200121	Black Mount Kit for XD Series Work Lights



MODEL 771 XD

PRODUCT SPECIFICATIONS

Raw Lumen Output:
900

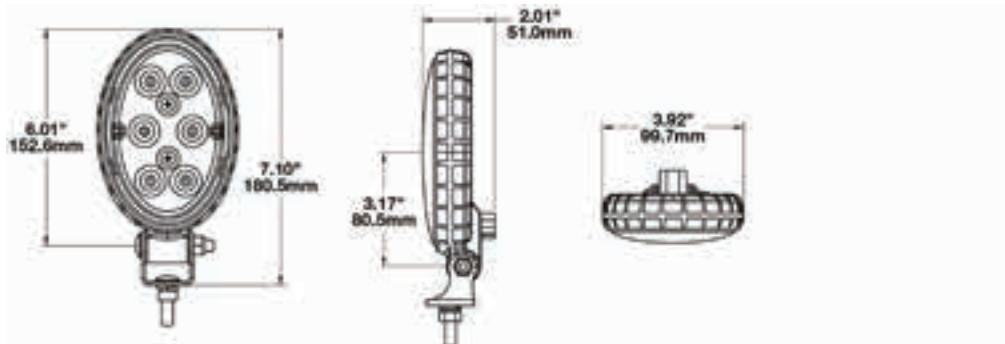
Effective Lumen Output:
700

Connector/Wiring:
Integrated 2-Pin Deutsch Connector (DT04-2P)

Operating Voltage:
10-55V DC

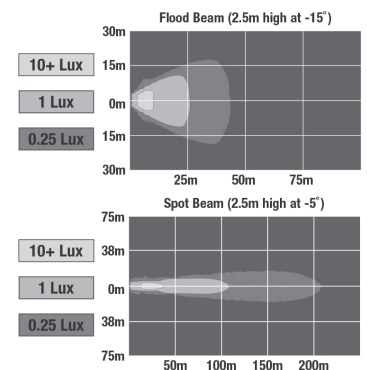
Current Draw:
1.00A @ 12V DC
0.48A @ 24V DC
0.33A @ 36V DC
0.25A @ 48V DC

Application & Standards:



PART #	DESCRIPTION
1705911	12-48V LED Work Light with Flood Beam Pattern
1706191	12-48V LED Work Light with Spot Beam Pattern
1706171	12-48V LED Work Light with Vertical Flood Beam Pattern
1706221	12-24V LED Amber Work Light

PART #	ACCESSORIES
8200011	Magnet Mount Kit for XD Series Work Lights
8200101	Stainless Steel Mounting Kit for Work Lights & Marine Lights
8200121	Black Mounting Kit for Work Lights & Marine Lights





MODEL 775 XD WORK & TURN LIGHT

PRODUCT SPECIFICATIONS

Raw Lumen Output:
600

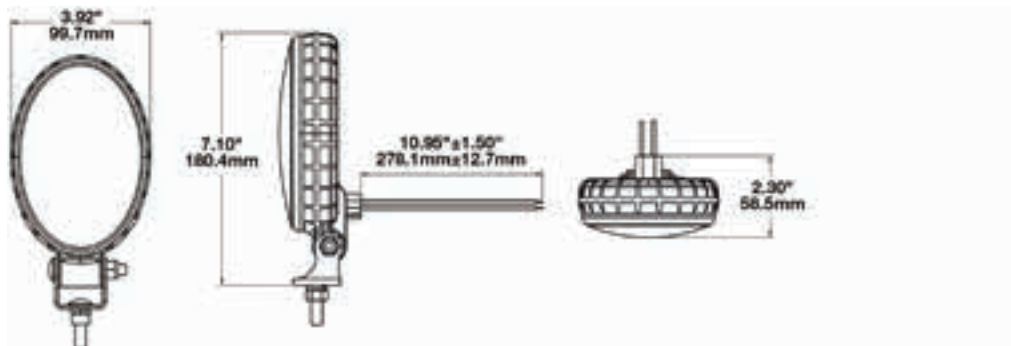
Effective Lumen Output:
400

Connector/Wiring:
2-Pin Deutsch Weather-Proof Plug (DT06-2S)

Operating Voltage:
9-60V DC

Current Draw:
1.2A @ 12V DC
0.6A @ 24V DC
0.4A @ 36V DC
0.3A @ 48V DC

Application & Standards:

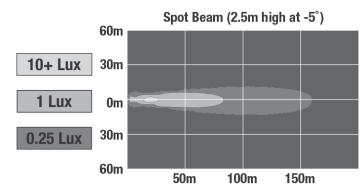


PART # DESCRIPTION

1707191	12-48V Amber Clear LED Work Light with Flood Beam & Turn Signal
1707201	12-48V Amber Clear LED Work Light with Spot Beam & Turn Signal

PART # ACCESSORIES

8200011	Magnet Mount Kit for XD Series Work Lights
8200101	Stainless Steel Mounting Kit for Work Lights & Marine Lights
8200121	Black Mounting Kit for Work Lights & Marine Lights
8200671	4-Pin Deutsch Connector Kit



MODEL 778 XD BACKUP CAMERA LIGHT



PRODUCT SPECIFICATIONS

Raw Lumen Output:
576

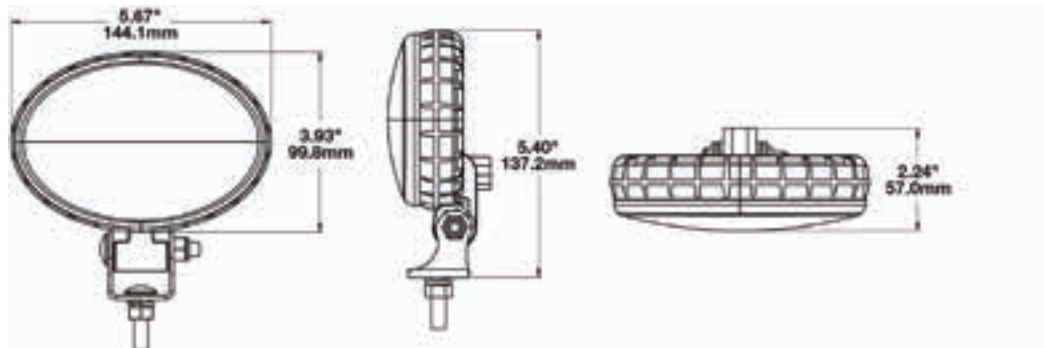
Effective Lumen Output:
275

Connector/Wiring:
Integrated 2-Pin Deutsch Socket (DT04-2S)

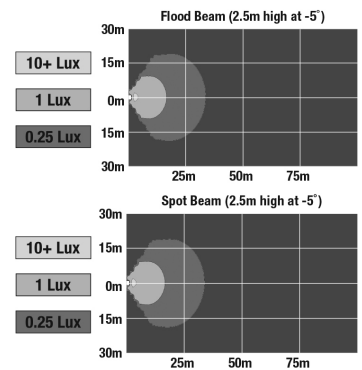
Operating Voltage:
10-55V DC

Current Draw:
1.00A @ 12V DC
0.48A @ 24V DC
0.33A @ 36V DC
0.25A @ 48V DC

Application & Standards:



PART #	DESCRIPTION
1706721	12-48V SAE/ECE LED Backup Camera Light



MODEL 783 XD

PRODUCT SPECIFICATIONS

Raw Lumen Output:
675

Effective Lumen Output:
485

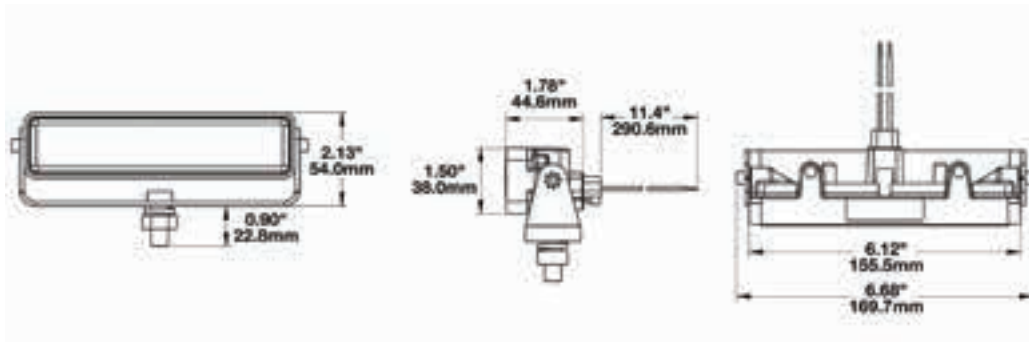
Candela Output:
1,409

Connector/Wiring:
Integral DT04-2P

Operating Voltage:
9-60V DC

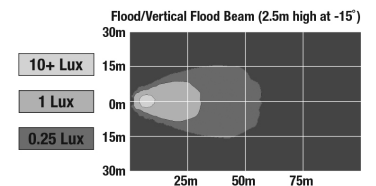
Current Draw:
1.00A @ 12V DC
0.50A @ 24V DC
0.30A @ 36V DC
0.25A @ 48V DC

Application & Standards:



PART # DESCRIPTION

1603391	12-48V LED Work Light with Flood Beam Pattern & Mounting Bracket
1603451	12-48V LED Work Light with Vertical Flood Beam Pattern & Mounting Bracket



MODEL 785



PRODUCT SPECIFICATIONS

Raw Lumen Output:
1,242

Effective Lumen Output:
460

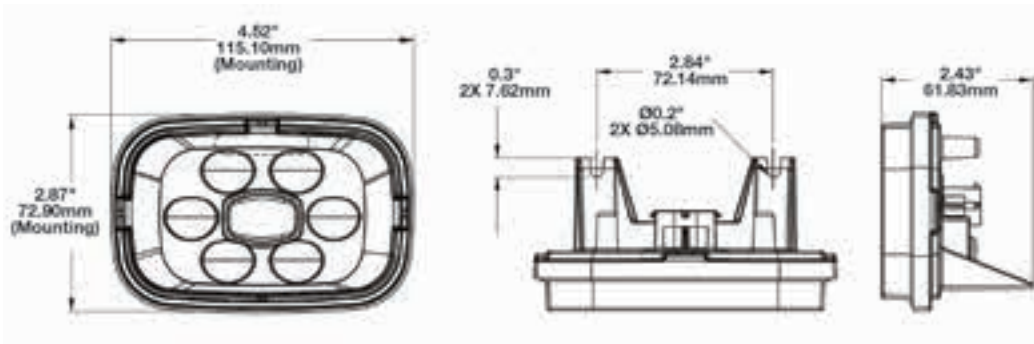
Candela Output:
1,380

Connector/Wiring:
PE 12124819, or PE 12020599

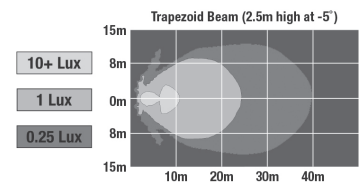
Operating Voltage:
9-16V DC

Current Draw:
1.2A @ 12V DC

Application & Standards:



PART #	DESCRIPTION
0554211	12V LED Work Light with Trapezoid Beam Pattern
0554213	12V LED Work Light with Trapezoid Beam Pattern - 2 Light Kit



MODEL 791

PRODUCT SPECIFICATIONS

Raw Lumen Output:

Driving & Flood: 1,820; Fog: 800

Effective Lumen Output:

Driving & Flood: 1,150; Fog: 250

Candela Output:

Fog: 6,700

Connector/Wiring:

Deutsch DT04-2P

Operating Voltage:

Driving & Flood: 9-32V DC; Fog: 10-18V DC

Current Draw:

Driving & Flood: 1.27A @ 12V; 0.78A @ 24V DC

Fog: 0.55A @ 10V; 0.88A @ 12V; 1.10A @ 18V DC

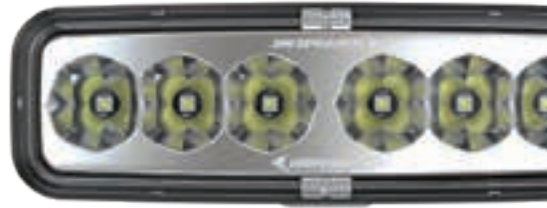
Application & Standards:



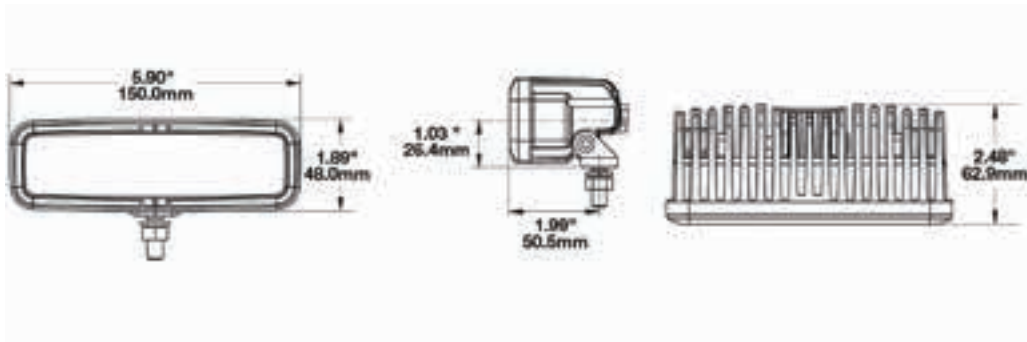
FLOOD BEAM



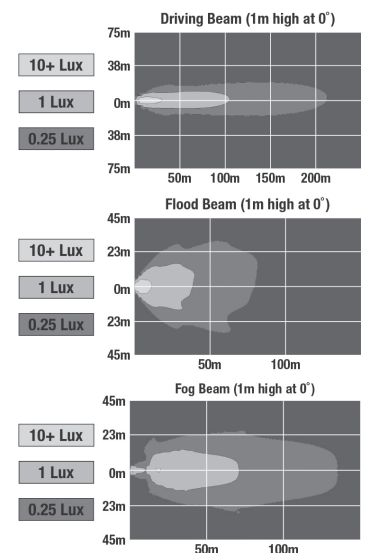
DRIVING BEAM



FOG BEAM



PART #	DESCRIPTION
1603511	12-24V LED Driving Light
1603521	12-24V LED Driving Light with Flood Beam Pattern
1603601	12V DOT/ECE LED Fog Light
1603603	12V DOT/ECE LED Fog Light - 2 Light Kit



MODEL 832



PRODUCT SPECIFICATIONS

Raw Lumen Output:
3,900

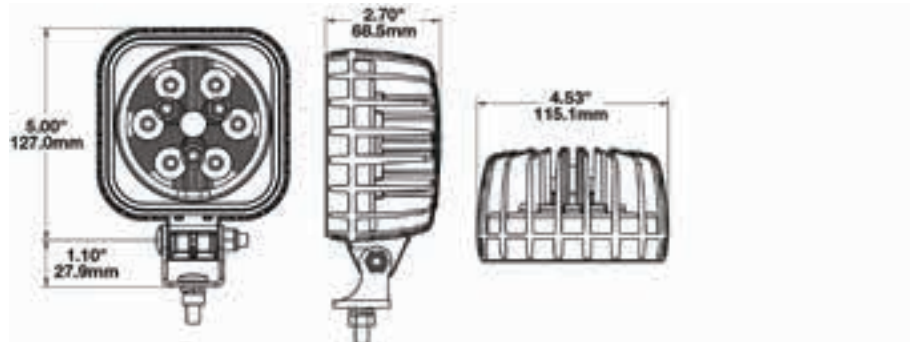
Effective Lumen Output:
2,400

Connector/Wiring:
Integrated 2-Pin Deutsch Socket (DT04-2S)

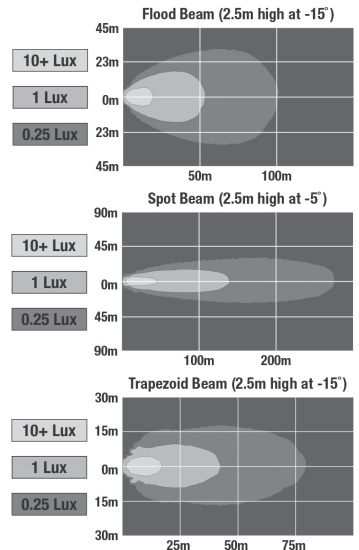
Operating Voltage:
10-32V DC

Current Draw:
3.5A @ 12V DC
1.75A @ 24V DC

Application & Standards:



PART #	DESCRIPTION
1300181	12-24V LED Auxiliary Light with Flood Beam Pattern
1300161	12-24V LED Auxiliary Light with Spot Beam Pattern
1300171	12-24V LED Auxiliary Light with Trapezoid Beam Pattern



MODEL 840 XD

PRODUCT SPECIFICATIONS

Raw Lumen Output:
1,080

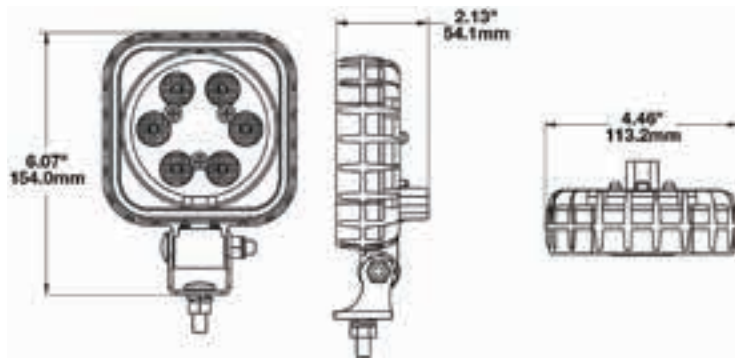
Effective Lumen Output:
780

Connector/Wiring:
Integrated 2-Pin Deutsch Socket (DT04-2S)

Operating Voltage:
10-30V DC
10-130V DC

Current Draw:
1.00A @ 12V DC
0.50A @ 24V DC
0.33A @ 36V DC
0.25A @ 48V DC
0.16A @ 80V DC
0.13A @ 110V DC

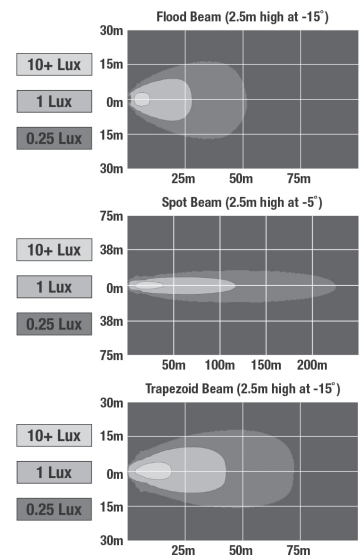
Application & Standards:



PART #	DESCRIPTION
1300001	12-24V LED Work Light with Spot Beam Pattern
1300011	12-24V LED Work Light with Trapezoid Beam Pattern
1300021	12-24V LED Work Light with Flood Beam Pattern
1300031	12-110V LED Work Light with Flood Beam Pattern
1300041	12-110V LED Work Light with Spot Beam Pattern
1300091	12-110V LED Work Light with Trapezoid Beam Pattern & Integrated AMP Connector
1300101	12-110V LED Work Light with Trapezoid Beam Pattern & Integrated 2-Pin Deutsch Connector

FOR FORKLIFTS

PART #	DESCRIPTION
1300301	12-48V LED Work Light with Right Hand Vertical Flood Beam Pattern
1300311	12-48V LED Work Light with Left Hand Vertical Flood Beam Pattern
1300531	12-48V LED Work Light with Left Hand Vertical Flood Beam Pattern (Lower Output)
1300541	12-48V LED Work Light with Right Hand Vertical Flood Beam Pattern (Lower Output)



MODEL 880 & 881 XD



PRODUCT SPECIFICATIONS

Raw Lumen Output:
1,680

Effective Lumen Output:
900

Connector/Wiring:
Integrated 2-Pin Deutsch Socket (DT04-2P)

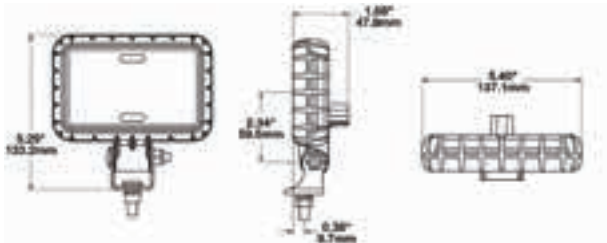
Operating Voltage:
9-32V DC

Current Draw:
880 XD: 1.30A @ 12V; 0.70A @ 24V DC
881 XD: 1.00A @ 12V; 0.48A @ 24V DC

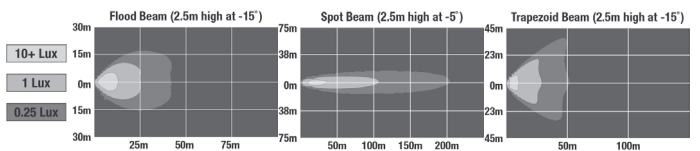
Application & Standards:



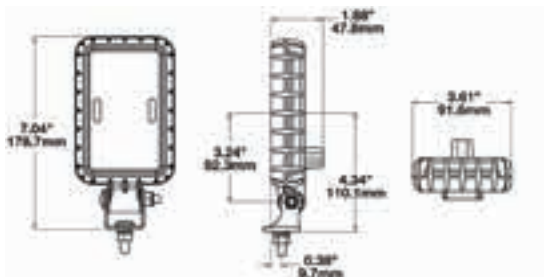
MODEL 880 XD



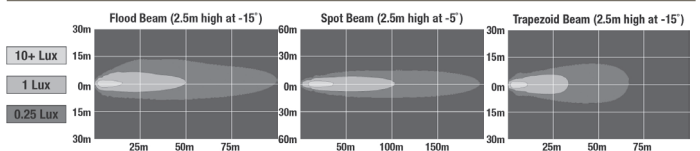
PART #	DESCRIPTION
1603261	12-24V LED Work Light with Flood Beam Pattern
1603241	12-24V LED Work Light with Spot Beam Pattern
1603251	12-24V LED Work Light with Trapezoid Beam Pattern
1603331	12-24V LED Work Light with Flood Beam Pattern & On/Off Switch
1603311	12-24V LED Work Light with Spot Beam Pattern & On/Off Switch
1603321	12-24V LED Work Light with Trapezoid Beam Pattern & On/Off Switch



MODEL 881 XD



PART #	DESCRIPTION
1603291	12-24V LED Work Light with Flood Beam Pattern
1603271	12-24V LED Work Light with Spot Beam Pattern
1603281	12-24V LED Work Light with Trapezoid Beam Pattern



880 & 881 XD	PART #	ACCESSORIES
	8200011	Magnet Mount Kit for XD Series Work Lights
	8200101	Stainless Steel Mounting Kit for Work Lights & Marine Lights

MODEL 4415

PRODUCT SPECIFICATIONS

Raw Lumen Output:
2,450

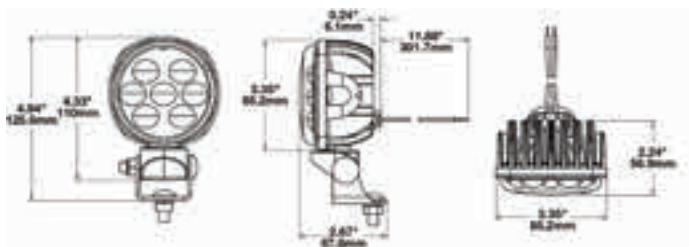
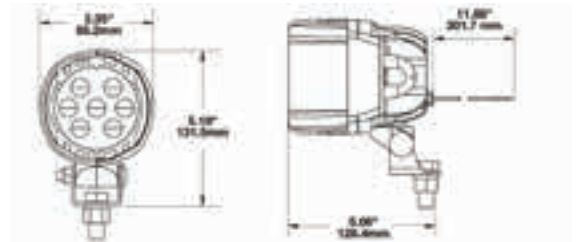
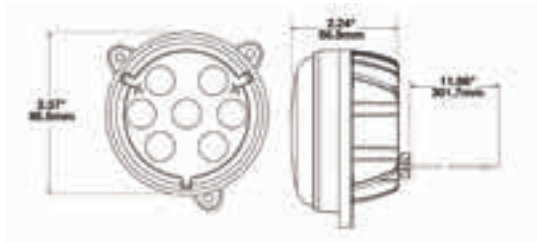
Effective Lumen Output:
1,350

Connector/Wiring:
Packard# 12084167

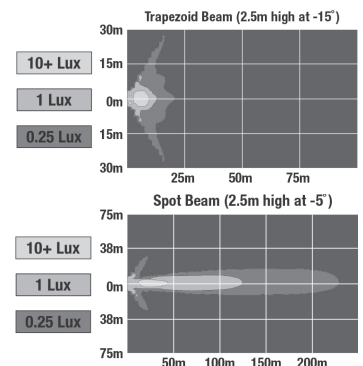
Operating Voltage:
10-32 V DC

Current Draw:
2.00A @ 12V DC
1.05A @ 24V DC
0.51A @ 48V DC
0.40A @ 60V DC
0.25A @ 110V DC

Application & Standards:



PART #	DESCRIPTION
0549841	12-24V LED Work Light with Trapezoid Pattern
0554201	12-110V LED Work Light with Trapezoid Pattern
0551001	12-24V LED Work Light with Spot Pattern
0551753	12-24V LED Work Light with Spot Pattern & Side View Mirror Mount - 2 Light Kit
0555341	12-24V LED Work Light with Spot Pattern & Panel Mount
0555411	12-24V LED Work Light with Flood Pattern & Harness
0555461	12-24V LED Work Light with Flood Pattern & Panel Mount



MODEL 4416



PRODUCT SPECIFICATIONS

Raw Lumen Output:
2,450

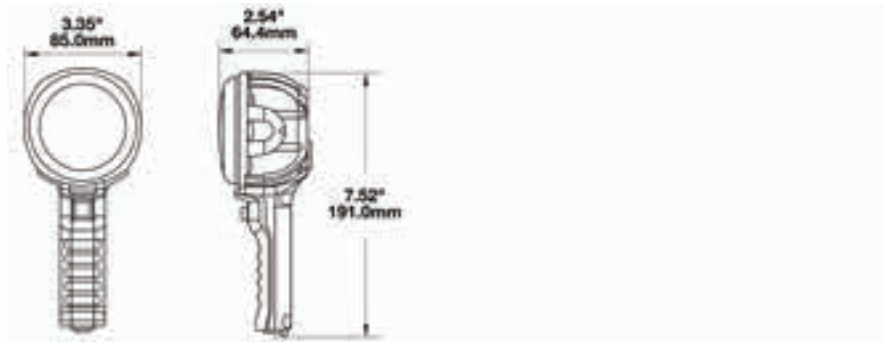
Effective Lumen Output:
1,350

Connector/Wiring:
Deutsch DT04-2P-E008

Operating Voltage:
9-16V DC

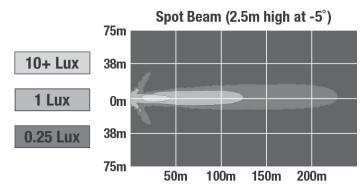
Current Draw:
2.20A @ 12V DC

Application & Standards:



PART #	DESCRIPTION
0552841	12V Black Handheld Work Light with Spot Beam Pattern Kit
0554251	12V Camouflage Handheld Work Light with Spot Beam Pattern Kit

PART #	ACCESSORIES
3269831	30' Power Cord with Battery Clips for Model 4416
3270801	Trailer Hitch Wire Harness for Model 4416
7042881	Handheld Light Magnet Mount for Model 4416



PRODUCT SPECIFICATIONS

Raw Lumen Output:
2,450

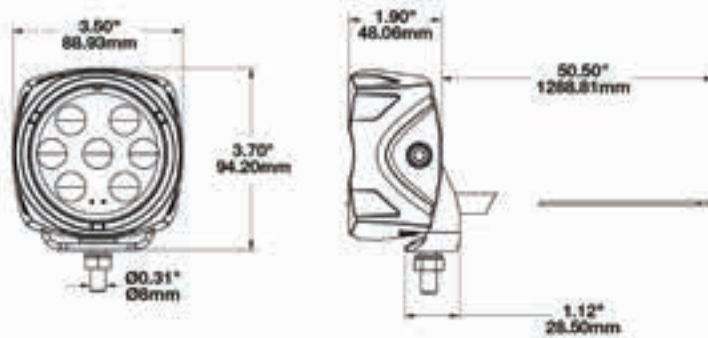
Effective Lumen Output:
1,300

Connector/Wiring:
Bare Leads

Operating Voltage:
9-16V DC

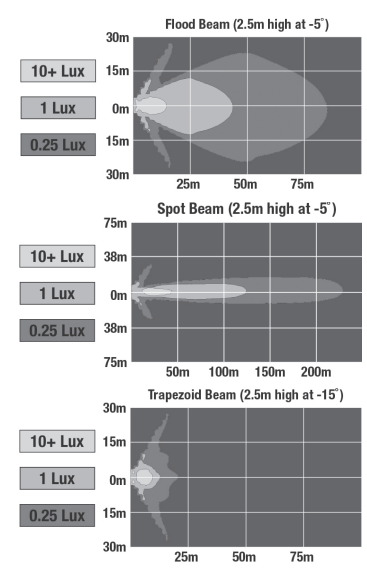
Current Draw:
2.17A @ 9V DC
0.97A @ 16V DC

Application & Standards:



PART #	DESCRIPTION
0554861	12V LED Work Light with Spot Beam Pattern - Single
0554863	12V LED Work Light with Spot Beam Pattern - Kit of 2
0554871	12V LED Work Light with Trapezoid Beam Pattern - Single
0554873	12V LED Work Light with Trapezoid Beam Pattern - Kit of 2
0555001	12V LED Work Light with Flood Beam Pattern - Single
0555003	12V LED Work Light with Flood Beam Pattern - Kit of 2

PART #	ACCESSORIES
6149203	A-Pillar Mounting Kit for Jeep JK
6149233	A-Pillar Mounting Kit for Jeep TJ



MODEL 6020



PRODUCT SPECIFICATIONS

Raw Lumen Output:
3,150

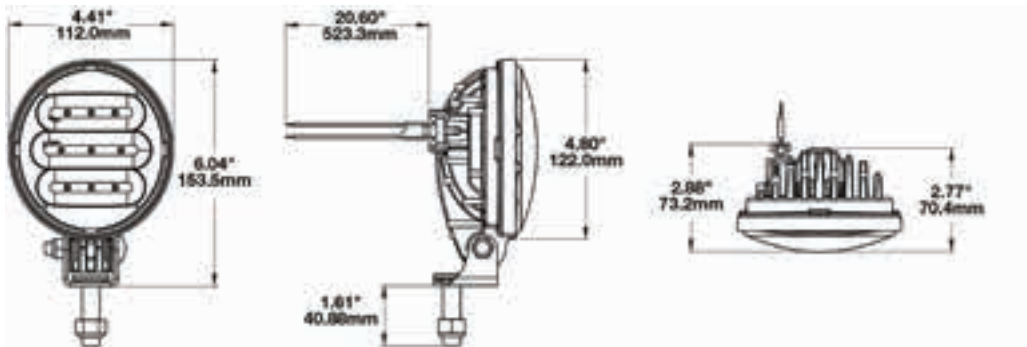
Effective Lumen Output:
2,130

Connector/Wiring:
Packard (#12059183)

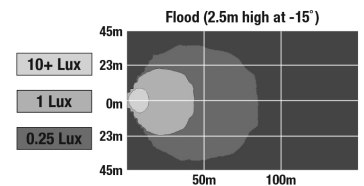
Operating Voltage:
9-32V DC

Current Draw:
2.33A @ 12V DC
1.07A @ 24V DC

Application & Standards:



PART #	DESCRIPTION
1000011	12-24V LED Work Light with Flood Beam Pattern



MODEL 6040

PRODUCT SPECIFICATIONS

Raw Lumen Output:

Flood: 1,390; Spot & Trapezoid: 1,050

Effective Lumen Output:

Flood: 1,020; Spot & Trapezoid: 770

Connector/Wiring:

Blade Terminals (Ring Terminal Adaptors Provided)

Operating Voltage:

10-15V DC

Current Draw:

12V:

2.00 MaxA @ 12V DC

12-48V:

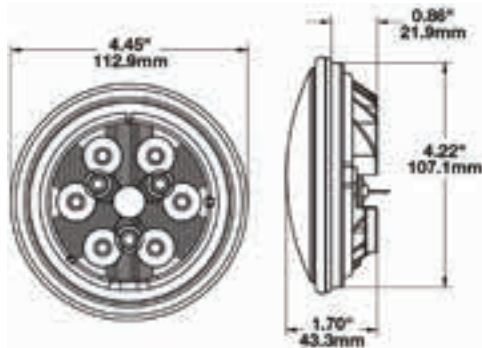
1.04A @ 12V DC

0.5A @ 24V DC

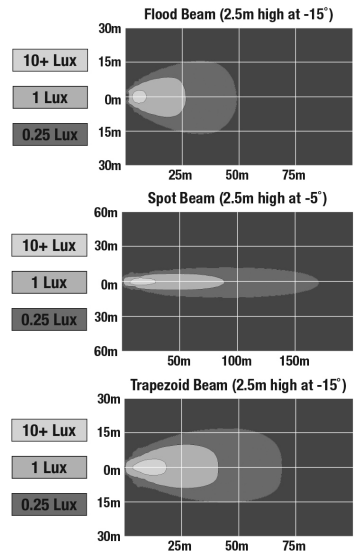
0.33A @ 36V DC

0.26A @ 48V DC

Application & Standards:



PART #	DESCRIPTION
3157291	12V LED Work Light with Glass Lens & Flood Beam Pattern
3157301	12V LED Work Light with Glass Lens & Trapezoid Beam Pattern
8000111	12V LED Work Light with Polycarbonate Lens & Flood Beam Pattern
8000281	12V LED Work Light with Polycarbonate Lens & Spot Beam Pattern
8000121	12V LED Work Light with Polycarbonate Lens & Trapezoid Beam Pattern
3157601	12-48V LED Work Light with Glass Lens & Flood Beam Pattern
3157581	12-48V LED Work Light with Glass Lens & Spot Beam Pattern
3157591	12-48V LED Work Light with Glass Lens & Trapezoid Beam Pattern
3157471	12-48V LED Work Light with Polycarbonate Lens & Flood Beam Pattern
3157491	12-48V LED Work Light with Polycarbonate Lens & Spot Beam Pattern
3157481	12-48V LED Work Light with Polycarbonate Lens & Trapezoid Beam Pattern



MODEL 6043 WORK & TAIL LIGHT



PRODUCT SPECIFICATIONS

Raw Lumen Output:
1,140 (Work Light)

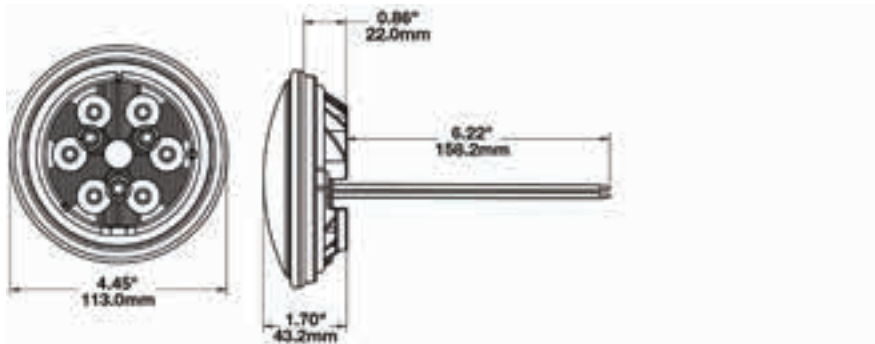
Effective Lumen Output:
700 (Work Light)

Connector/Wiring:
6" Bare Leads

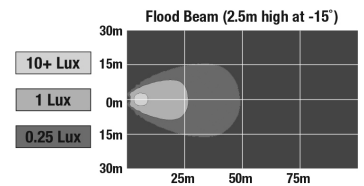
Operating Voltage:
12-24V DC

Current Draw:
0.60A @ 12V DC (Worklight)
0.11A @ 12V DC (Tail Light)

Application & Standards:



PART #	DESCRIPTION
0344731	12-24V LED Work Light & Tail Light



MODEL 7150

PRODUCT SPECIFICATIONS

Raw Lumen Output:
5,400

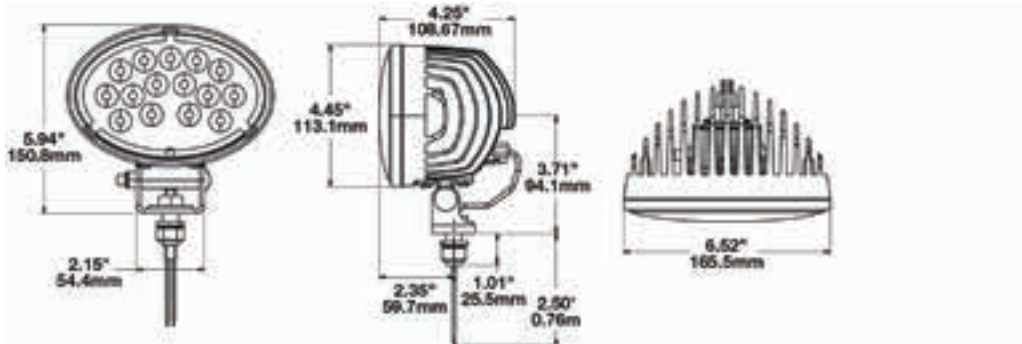
Effective Lumen Output:
4,500

Connector/Wiring:
Deutsch DT04-2P

Operating Voltage:
10-32V DC

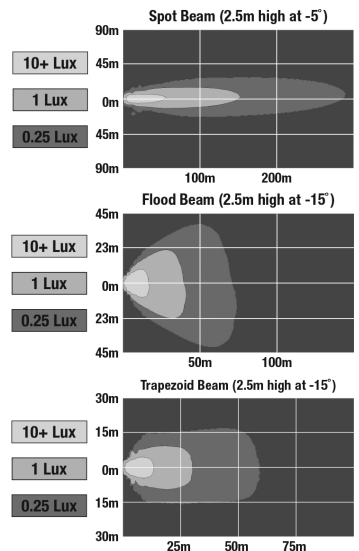
Current Draw:
5.50A @ 12V DC
3.20A @ 24V DC

Application & Standards:



PART # DESCRIPTION

1801581	12-24V LED Work Light with Polycarbonate Lens & Flood Beam Pattern
1801621	12-24V LED Work Light with Polycarbonate Lens & Spot Beam Pattern
1801571	12-24V LED Work Light with Polycarbonate Lens & Trapezoid Beam Pattern
1801791	12-24V LED Work Light with Glass Lens & Flood Beam Pattern
1801781	12-24V LED Work Light with Glass Lens & Trapezoid Beam Pattern



MODEL 7250 & 7251 XD



PRODUCT SPECIFICATIONS

Raw Lumen Output:
3,150

Effective Lumen Output:
1,400

Connector/Wiring:
Deutsch DT04-2P

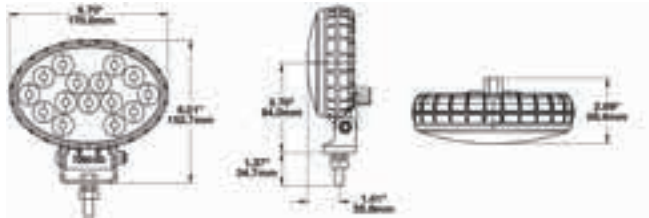
Operating Voltage:
10-32V DC

Current Draw:
1.60A @ 12V DC
0.90A @ 24V DC

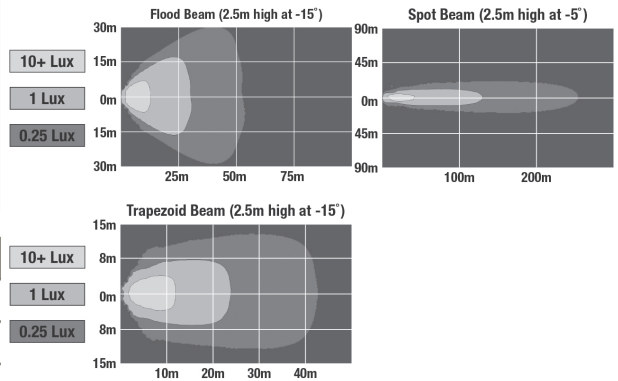
Application & Standards:



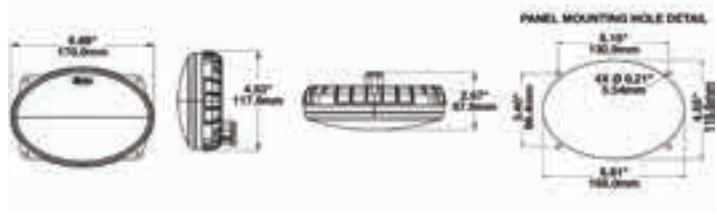
MODEL 7250 XD



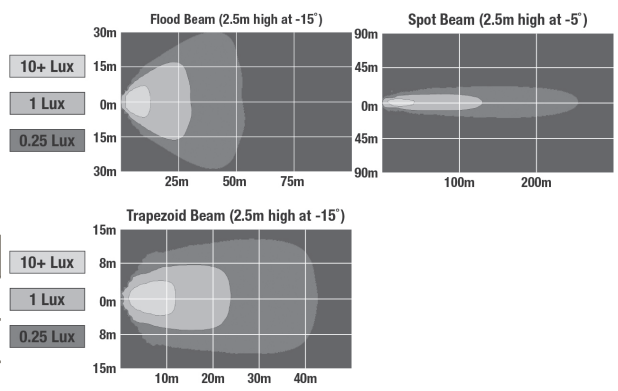
PART #	DESCRIPTION
1801521	12-24V LED Work Light with Flood Beam Pattern & Pedestal Mount
1801501	12-24V LED Work Light with Spot Beam Pattern & Panel Mount
1801511	12-24V LED Work Light with Trapezoid Beam Pattern & Pedestal Mount



MODEL 7251 XD



PART #	DESCRIPTION
1801551	12-24V LED Work Light with Flood Beam Pattern & Panel Mount
1801531	12-24V LED Work Light with Spot Beam Pattern & Panel Mount
1801541	12-24V LED Work Light with Trapezoid Beam Pattern & Panel Mount



MODEL 8625

PRODUCT SPECIFICATIONS

Raw Lumen Output:
2,385

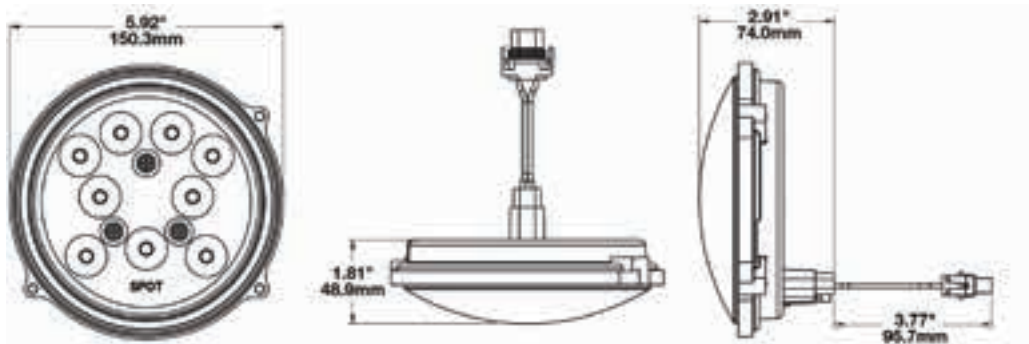
Effective Lumen Output:
1,340

Connector/Wiring:
Deutsch DT04-2P

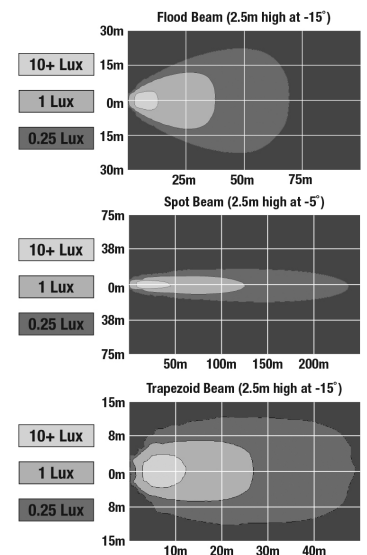
Operating Voltage:
10-33V DC

Current Draw:
2.00A @ 12V DC
1.00A @ 24V DC

Application & Standards:



PART #	DESCRIPTION
1501671	12-24V LED Work Light with Spot Beam Pattern
1501691	12-24V LED Work Light with Flood Beam Pattern
1501701	12-24V LED Work Light with Trapezoid Beam Pattern



MODEL 9049-2M & 3M

PRODUCT SPECIFICATIONS



Raw Lumen Output:

2M: 2,200
3M: 2,400

Effective Lumen Output:

2M: 1,320
3M: 1,500

Connector/Wiring:

2M: 10" Bare Leads
3M: 36" Bare Leads

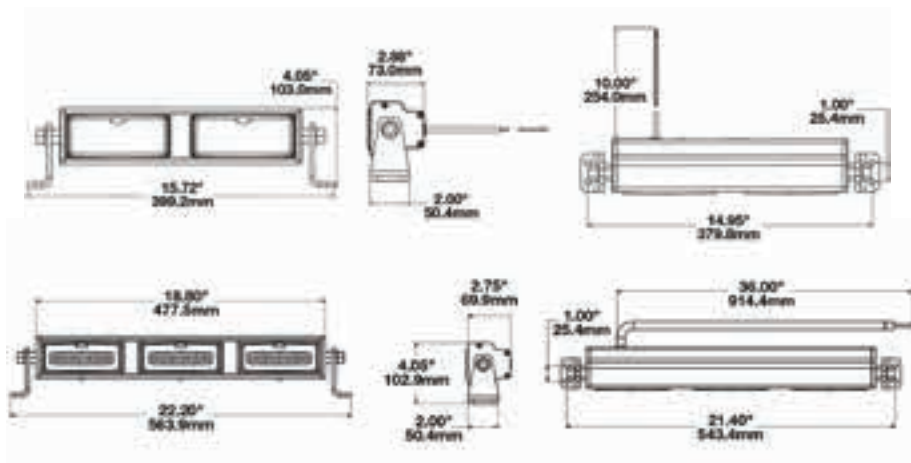
Operating Voltage:

9-18V DC

Current Draw:

2M: 4.00A @ 12V DC
3M: 3.60A @ 12V DC

Application & Standards:

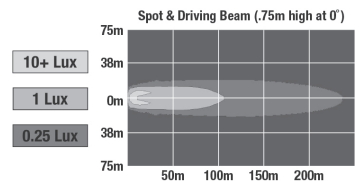


MODEL 9049-2M

PART #	DESCRIPTION
0546261	12V LED 15" Light Bar with Flood Beam Pattern
0546281	24V LED 15" Light Bar with Flood Beam Pattern
0548461	12V LED 15" Light Bar with Driving Beam Pattern

MODEL 9049-3M

PART #	DESCRIPTION
0549281	12V SAE/ECE LED 19" Light Bar with Fog Beam Pattern
0552441	12V LED 19" Light Bar with Spot Beam Pattern & Driving Light



TS3001V & TS3001R

PRODUCT SPECIFICATIONS

Raw Lumen Output:
1,960

Effective Lumen Output:
1,080

Connector/Wiring:
Deutsch DT04-2P

Operating Voltage:
9-32V DC

Current Draw:

TS3001R Driving Beam

Standard: 1.15A @ 12V; 0.60A @ 24V DC

Jeep: 2.15A @ 12V; 1.00A @ 24V DC

Pencil Beam

Standard: 1.40A @ 9V; 0.90A @ 16V DC

Jeep: 2.70A @ 9V; 1.60A @ 16V DC

TS3001V Driving Beam

1.90A @ 12V DC

1.05A @ 24V DC

Pencil Beam

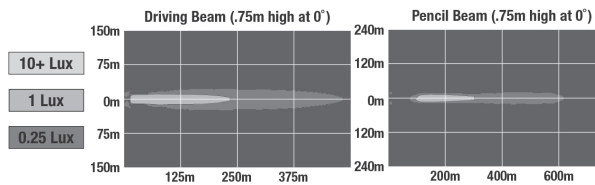
Standard: 1.40A @ 9V; 0.90A @ 16V DC

Jeep: 2.70A @ 9V; 1.60A @ 16V DC

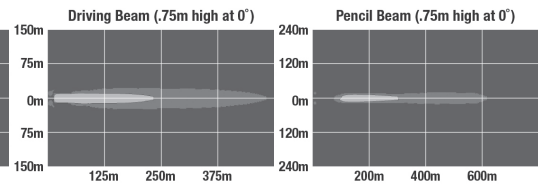
Application & Standards:



TS3001R



TS3001V



TS3001V

PART #	DESCRIPTION
0550671	12-24V DOT LED Auxiliary Light with Driving Beam - 1 Light
0550691	12-24V ECE LED Auxiliary Light with Driving Beam - 1 Light
0550711	12-24V LED Auxiliary Light with Pencil Beam Auxiliary Light - 1 Light
0550673	12-24V DOT LED Auxiliary Light with Driving Beam - 2 Light Kit
0550693	12-24V ECE LED Auxiliary Light with Driving Beam - 2 Light Kit
0550713	12-24V LED Auxiliary Light with Pencil Beam - 2 Light Kit

Light weight, thermally conductive, and ultra durable xenon housing.

TS3001R

PART #	DESCRIPTION
0550441	12-24V DOT LED Auxiliary Light with Driving Beam - 1 Light
0550461	12-24V ECE LED Auxiliary Light with Driving Beam - 1 Light
0550481	12-24V LED Auxiliary Light with Pencil Beam - 1 Light
0550443	12-24V DOT LED Auxiliary Light with Driving Beam - 2 Light Kit
0550463	12-24V ECE LED Auxiliary Light with Driving Beam - 2 Light Kit
0550483	12-24V LED Auxiliary Light with Pencil Beam - 2 Light Kit

Light weight, thermally conductive, and ultra durable xenon housing.

PART # ACCESSORIES

6149203	A-Pillar Mounting Kit for Jeep JK
6149233	A-Pillar Mounting Kit for Jeep TJ
5865951	Black Replacement Lens Cover for Model TS3001V
5874231	Clear Replacement Lens Cover for Model TS3001V
5874241	Red Replacement Lens Cover for Model TS3001V
5874251	Amber Replacement Lens Cover for Model TS3001V
5874261	Blue Replacement Lens Cover for Model TS3001V

PART # ACCESSORIES

6149203	A-Pillar Mounting Kit for Jeep JK
6149233	A-Pillar Mounting Kit for Jeep TJ
5866001	Black Replacement Lens Cover for Model TS3001R
5874271	Clear Replacement Lens Cover for Model TS3001R
5874281	Amber Replacement Lens Cover for Model TS3001R
5874291	Red Replacement Lens Cover for Model TS3001R
5874301	Blue Replacement Lens Cover for Model TS3001R

TS4000



PRODUCT SPECIFICATIONS

Raw Lumen Output:
4,169 (High Beam)

Effective Lumen Output:
1,820 (High Beam)

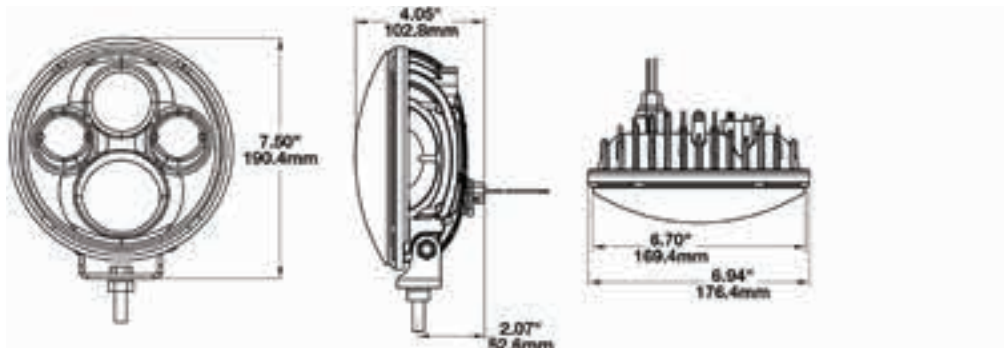
Candela Output:
133,000

Connector/Wiring:
Deutsch DT04-2P

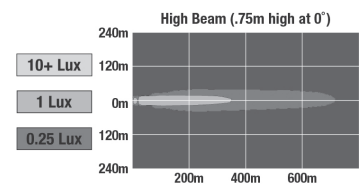
Operating Voltage:
9-32V DC

Current Draw:
3.4A @ 12V DC
1.6A @ 24V DC

Application & Standards:



PART #	BEZEL	DESCRIPTION
0551121	Chrome	12-24V ECE LED High Beam with Pedestal Mount
0551603	Chrome	12-24V ECE LED High Beam with Pedestal Mount - 2 Light Kit
0551693	Black	12-24V ECE LED High Beam with Pedestal Mount - 2 Light Kit





SMARTHEAT®







SMARTHEAT®

DON'T LET SNOW AND ICE SLOW YOU DOWN.

Winter weather can cause snow and ice build up on the outside of lights, reducing visibility. This creates a dangerous situation not only for you, but to others as well.

J.W. Speaker's series of heated LED lights with SmartHeat® is redefining lighting with its integrated lens heater technology. Each light is designed to automatically de-ice the surface of the lens. Products with SmartHeat provide peace of mind during cold and snowy conditions by maintaining your ability to see, and to be seen by other drivers.

SmartHeat Technology uses an internal sensor for air and light temperature and automatically turns the heater on and off as needed.

		<i>Light Temperature</i>		
				
<i>Air Temperature</i>		ON	ON	OFF
		ON	OFF	OFF
		OFF	OFF	OFF

SmartHeat™

HEATED LIGHTING TECHNOLOGY



LUMENS & BEAM PATTERNS

RAW LUMENS:

A measure of the **theoretical** output of a light

Calculated by multiplying the manufacturer's lumen rating for the LED by the number of LEDs in the finished light

Does not represent the actual light output as it doesn't account for thermal, assembly and optical losses that impact all lights

Example Calculation:

LED is rated at 100 Lumens

8 LEDs in the finished light

100 x 8 = 800 Raw Lumens

EFFECTIVE LUMENS:

A measure of the **actual** output of a light

Measured using a photometric testing device for an exact measurement of a finished light for an accurate value of light output

Represents the actual light output of the finished light after thermal, assembly and optical losses

Example Measurement:

Raw Lumens = 800

Losses = ~40% of Raw Lumens (800 x .4 = 320)

800 - 320 = 480 Effective Lumens

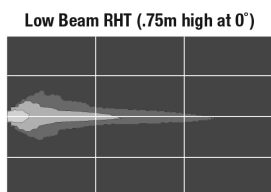
J.W. Speaker uses photometric testing devices and optical engineers to measure the Effective Lumens of our products to give you accurate light output values.

BEAM PATTERNS

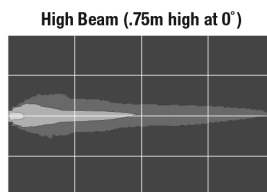
Each light pattern is designed and tested by optical engineers to give you the best possible beam pattern to drive behind.

Below are examples of the common beam patterns.

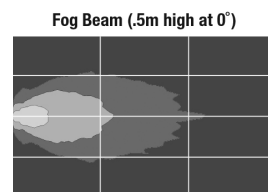
Our engineers design each product to project light in the areas you need it **and** comply with the legal requirements for on-road use in the countries the product is intended to be used in.



Illuminates across the road and ahead of the vehicle, with a cutoff to prevent glare for oncoming traffic



Bright light for distance illumination above and below the horizon, when not following or passing vehicles



Short and wide pattern to illuminate area just above the ground & in front of the vehicle

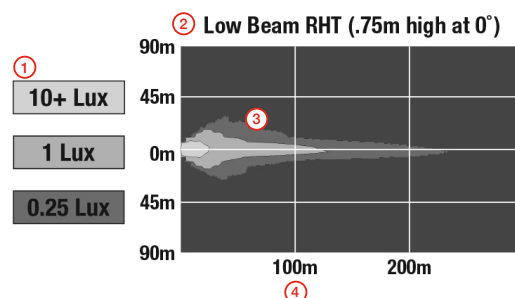
PARTS OF A LIGHT DIAGRAM

Lux Key¹: Intensity of the light measured

Title²: The type of beam pattern, and the height and angle of the light when it was measured

Light Pattern³: A "bird's eye view" showing the shape, intensity, and distance

Distance Markers⁴: Reference in meters (m) for the size and distance of the light pattern





PRODUCT SPECIFICATIONS

Effective Lumen Output:
54

Connector/Wiring:
3-Pin AMP Connector

Operating Voltage:
9-32V DC

Current Draw:
Stop/Turn: 1.3A @ 12V; 0.7A @ 24V DC
Heater: 0.9A @ 12V; 0.5A @ 24V DC

Application & Standards:



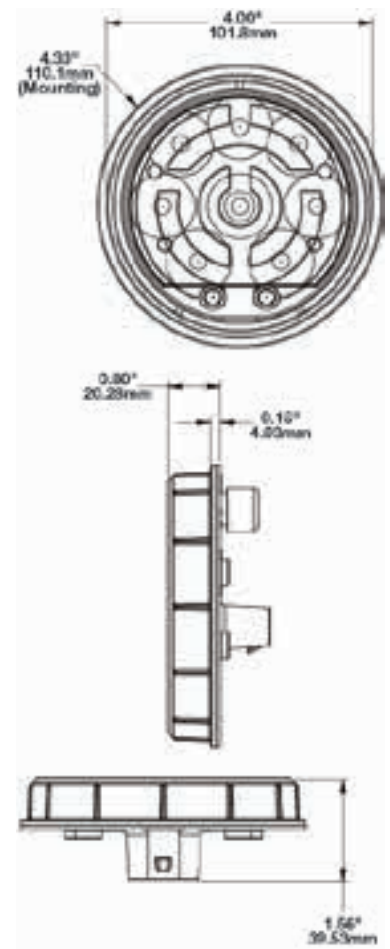
HEATED

PART #	DESCRIPTION
0346261	12-24V DOT LED Heated Red Stop, Tail, & Turn Light
0346264	12-24V DOT LED Heated Red Stop, Tail, & Turn Light Kit with Harness
0347811	12-24V DOT LED Heated Amber Turn Signal
0347814	12-24V DOT LED Heated Amber Turn Signal Kit with Harness
0346471	12-24V DOT LED Heated White Reverse Light
0346474	12-24V DOT LED Heated White Reverse Light Kit with Harness

NON-HEATED

PART #	DESCRIPTION
0347861	12-24V DOT LED Non-Heated Stop, Tail, & Turn Light
0347864	12-24V DOT LED Non-Heated Stop, Tail, & Turn Light Kit with Harness
0347871	12-24V DOT LED Non-Heated Turn Signal
0347874	12-24V DOT LED Non-Heated Turn Signal Kit with Harness
0347881	12-24V DOT LED Non-Heated Reverse Light
0347884	12-24V DOT LED Non-Heated Reverse Light Kit with Harness
0346421	12-48V DOT LED Non-Heated Stop & Tail Light

PART #	ACCESSORIES FOR HEATED & NON-HEATED
4242731	4" Round Rubber Mounting Grommet for Model 234
5869401	4" Round Plastic Mounting Flange for Model 234
8200441	4" Round Stainless Steel Trim Ring for Model 234
8200451	4" Round Chrome Plastic Trim Ring for Model 234
3270501	3-Pin AMP Connector (#282087-1) Wire Harness Assembly



PRODUCT SPECIFICATIONS

Connector/Wiring:
3-Pin AMP Connector (282087-1)

Operating Voltage:
12-24V DC

Current Draw:
Reverse: 0.65A @ 12V; 0.35A @ 24V DC
Turn: 0.45A @ 12; 0.30A @ 24V DC
Front Turn: 0.45A @ 12V; 0.25A @ 24V DC
Front Position/Heater: 0.90A @ 12V; 0.55A @ 24V DC
Heater: 0.85A @ 12V; 0.55A @ 24V DC
Stop/Turn: 0.90A @ 12V; 0.60A @ 24V DC
Tail/Heater: 0.80A @ 12V; 0.55A @ 24V DC
Sidemarker/Heater: 0.90A @ 12V; 0.55A @ 24V DC

Application & Standards:



STOP, TAIL, & TURN



REVERSE LIGHT



REAR & TURN or FRONT POSITION & TURN

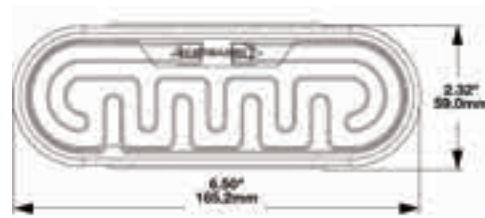


PART # DESCRIPTION

0346701	12-24V DOT LED Heated Red Stop, Tail, & Turn Light
0346704	12-24V DOT LED Heated Red Stop, Tail, & Turn Light with Harness
0346711	12-24V DOT LED Heated Amber Rear Turn Light
0346714	12-24V DOT LED Heated Amber Rear Turn Light with Harness
0346721	12-24V DOT LED Heated White Reverse Light
0346724	12-24V DOT LED Heated White Reverse Light with Harness
0346781	12-24V DOT LED Heated Amber Front Position & Front Turn Signal Light
0346784	12-24V DOT LED Heated Amber Front Position & Front Turn Signal Light with Harness
0346791	12-24V DOT LED Heated Amber Side Marker Light
0346794	12-24V DOT LED Heated Amber Side Marker Light with Harness

PART # ACCESSORIES

4242891	Rubber Mounting Grommet for Model 274
5870261	Plastic Mounting Flange for Model 274
8200581	Steel L-Shaped Mounting Bracket for Model 274
8200591	Chrome Plastic Trim Ring for Model 274
3270501	3-Pin AMP Connector (#282087-1) Wire Harness Assembly





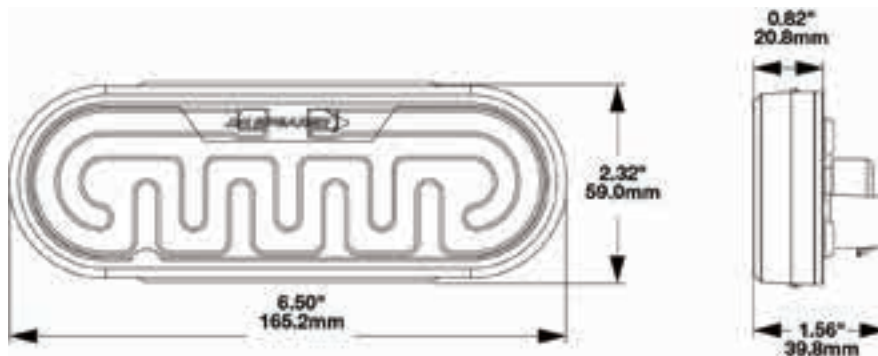
PRODUCT SPECIFICATIONS

Connector/Wiring:
6-Pin Delphi (#12052848)

Operating Voltage:
9-32V DC

Current Draw:
All Flash Modes: 1.20A @ 12V; 0.70A @ 24V DC
Turn: 1.50A @ 12; 0.75A @ 24V DC

Application & Standards:



PART #	COLOR	DESCRIPTION
0646801	Green	Flash Warning Light
0646811	Blue	Flash Warning Light
0646821	White	Flash Warning Light
0646781	Amber	Flash Warning Light
0646791	Red	Flash Warning Light

PART #	ACCESSORIES
4242891	Rubber Mounting Grommet for Model 274
5870261	Plastic Mounting Flange for Model 274
8200581	Steel L-Shaped Mounting Bracket for Model 274
8200591	Chrome Plastic Trim Ring for Model 274
3271041	6-Pin AMP Connector Wire Harness Assembly

PRODUCT SPECIFICATIONS

Raw Lumen Output:

1,080

Effective Lumen Output:

780

Connector/Wiring:

Deutsch DT04-2P

Operating Voltage:

10-30V DC

Current Draw:

Non-Heated: 1.3A @ 12V; 0.6A @ 24V DC

Heated: 2.1A @ 12V; 1.1A @ 24V DC

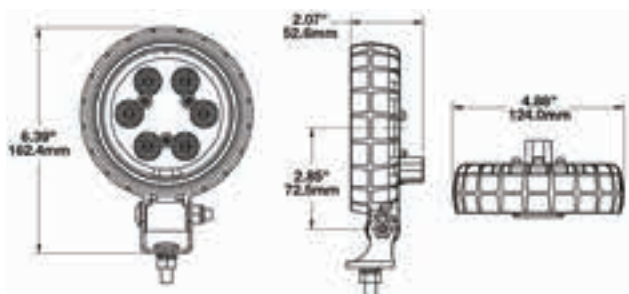
Application & Standards:



HEATED

PART # DESCRIPTION

1403471	12-24V LED Heated Work Light with Flood Beam Pattern
1403481	12-24V LED Heated Work Light with Spot Beam Pattern
1403491	12-24V LED Heated Amber Work Light with Flood Beam Pattern
1403501	12-24V LED Heated Amber Work Light with Spot Beam Pattern



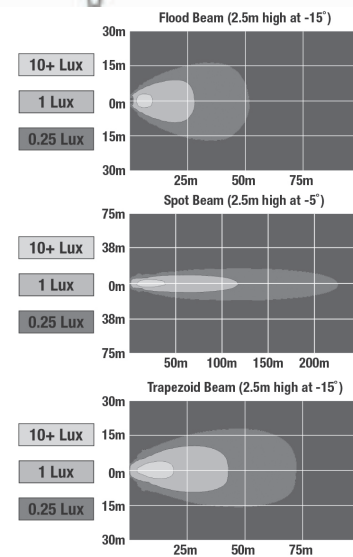
NON-HEATED

PART # DESCRIPTION

1403241	12-24V LED Work Light with Flood Beam Pattern
1403261	12-24V LED Work Light with Spot Beam Pattern
1403251	12-24V LED Work Light with Trapezoid Beam Pattern
1403291	12-110V LED Work Light with Flood Beam Pattern
1403281	12-110V LED Work Light with Spot Beam Pattern
1403271	12-110V LED Work Light with Trapezoid Beam Pattern

PART # ACCESSORIES FOR HEATED & NON-HEATED

8200101	Stainless Steel Mounting Kit for Work Lights & Marine Lights
8200011	Magnet Mount Kit for XD Series Work Lights
8200121	Black Mounting Kit for Work Lights & Marine Lights





PRODUCT SPECIFICATIONS

Raw Lumen Output:

3,200 (High Beam); 1,770 (Low Beam)

Effective Lumen Output:

1,260 (High Beam); 750 (Low Beam)

Candela Output:

71,500 (High Beam); 35,003 (Low Beam)

Connector/Wiring:

H4

Operating Voltage:

9-32V DC

Current Draw:

Heated High Beam: 4.20A @ 12V; 2.30A @ 24V DC

High Beam: 3.50A @ 12V; 1.80A @ 24V DC

Low Beam: 2.00A @ 12V; 1.10A @ 24V DC

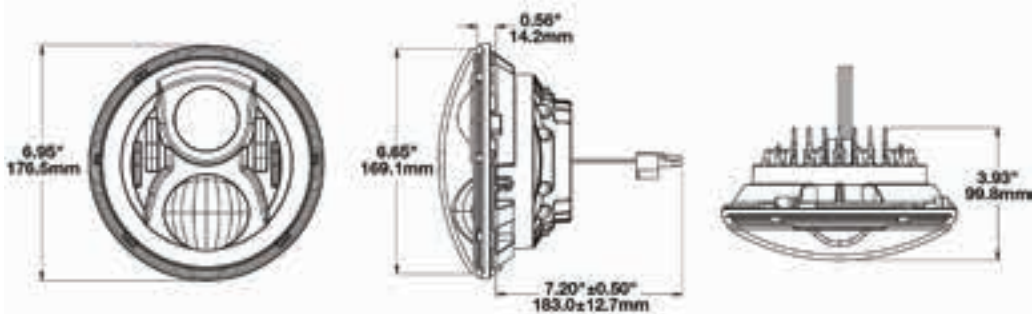
Front Position: 0.16A @ 12V; 0.10A @ 24V DC

DRL: 1.60A @ 12V; 0.80A @ 24V DC

Retrofit Information:

7" Round (PAR56)

Applications & Standards:



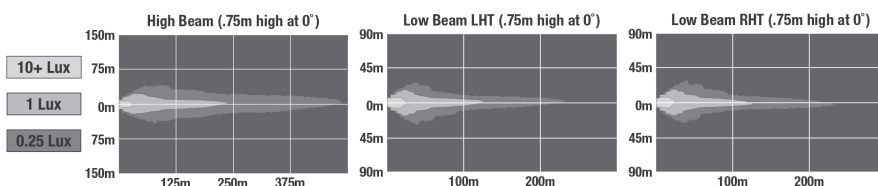
HEATED

PART #	BEZEL	DESCRIPTION
0556281	Black	DOT/High/Low
0556291	Chrome	DOT/High/Low
0556301	Black	ECE/RHT/High/Low/FP & DRL
0556311	Chrome	ECE/RHT/High/Low/FP & DRL
0556321	Black	ECE/LHT/High/Low/FP & DRL
0556331	Chrome	ECE/LHT/High/Low/FP & DRL

NON-HEATED

PART #	BEZEL	DESCRIPTION
0554941	Black	DOT/High/Low
0554961	Chrome	DOT/High/Low
0554981	Black	DOT/High/Low with Ring Kit
0554991	Chrome	DOT/High/Low with Ring Kit

PART #	ACCESSORIES
3156351	Mounting Ring Kit for 7" Round (PAR56) Headlights
3266081	Jumper Harness H4/H13
8000381	Anti-Flicker Harness H4/H4
8000311	Anti-Flicker Harness H4/H13



PRODUCT SPECIFICATIONS

Raw Lumen Output:

2,250 (High Beam); 2,830 (Low Beam)

Effective Lumen Output:

898 (High Beam); 782 (Low Beam)

Candela Output:

73,200 (High Beam); 29,800 (Low Beam)

Connector/Wiring:

H4 Connector - AMP (#172615-2)

Operating Voltage:

9-32V DC

Current Draw:

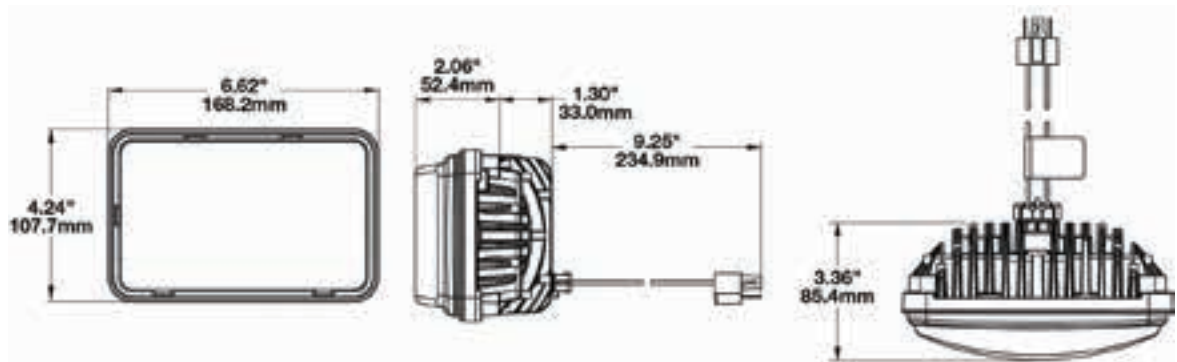
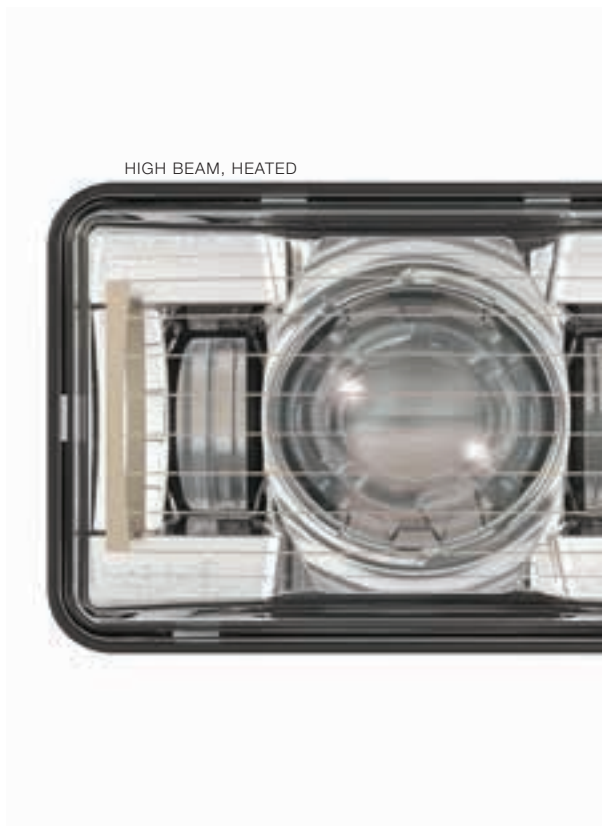
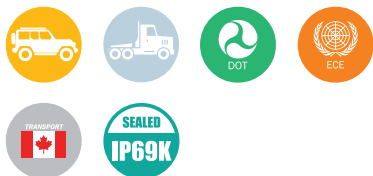
Heated: 3.30A @ 12V; 1.67A @ 24V DC

Non-Heated: 2.10A @ 12V; 1.00A @ 24V DC

Retrofit Information:

4" x 6" Rectangle; 1A1 and 2A1 Sealed Beams

Standards:

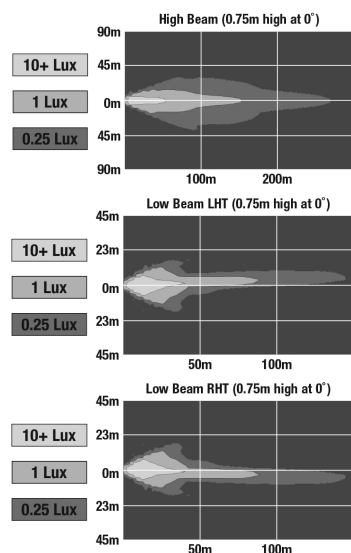


HEATED

PART #	BEZEL	DESCRIPTION
0551771	Chrome	DOT/ECE/RHT/Low
0552651	Black	DOT/ECE/RHT/Low
0552091	Chrome	ECE/LHT/Low
0552661	Black	ECE/LHT/Low
0551781	Chrome	DOT/ECE/High
0552671	Black	DOT/ECE/High

NON-HEATED

PART #	BEZEL	DESCRIPTION
0551371	Chrome	DOT/ECE/RHT/Low
0552551	Black	DOT/ECE/RHT/Low
0551391	Chrome	ECE/LHT/Low
0552561	Black	ECE/LHT/Low
0551381	Chrome	DOT/ECE/High
0552571	Black	DOT/ECE/High





PRODUCT SPECIFICATIONS

Raw Lumen Output:

3,015 (High Beam); 2,250 (Low Beam)

Effective Lumen Output:

1,320 (High Beam); 975 (Low Beam)

Connector/Wiring:

H4

Operating Voltage:

10-32V DC

Current Draw:

High Beam: 5.35A @ 12V; 2.50A @ 24V DC

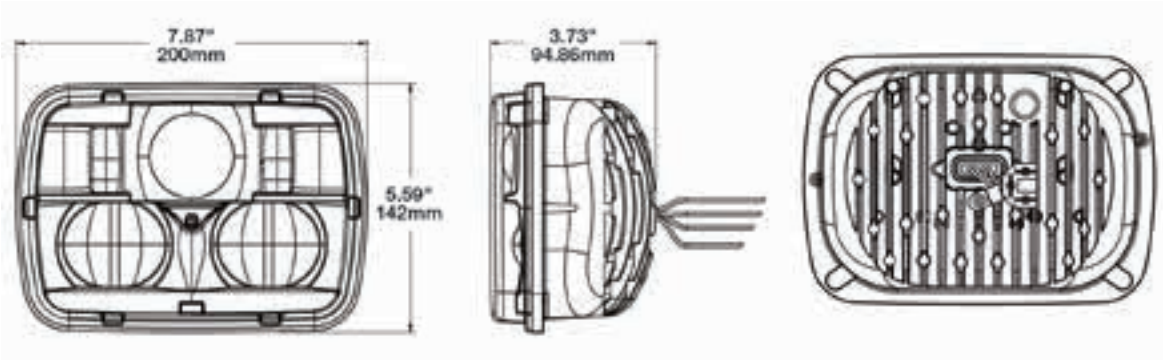
Low Beam: 4.30A @ 12V; 2.10A @ 24V DC

Front Position: 2.80A @ 12V; 1.32A @ 24V DC

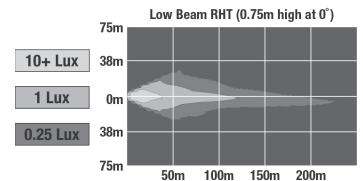
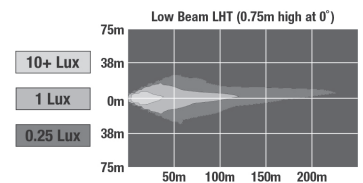
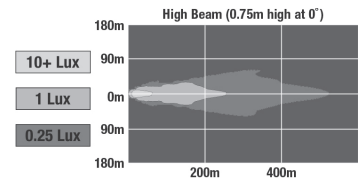
Retrofit Information:

5" x 7" Rectangle; 2B1 Sealed Beams

Applications & Standards:



PART #	BEZEL	DESCRIPTION
0554481	Black	DOT/ECE/RHT/High/Low/FP
0554461	Chrome	DOT/ECE/RHT/High/Low/FP
0554441	Black	ECE/LHT/High/Low/FP
0554421	Chrome	ECE/LHT/High/Low/FP



If your vehicle is operated in the United States you do NOT need to connect the Front Position wire (red) unless your vehicle is equipped with a front position light.

PRODUCT SPECIFICATIONS

Raw Lumen Output:

2,880 (High Beam); 2,160 (Low Beam)

Effective Lumen Output:

1,150 (High Beam); 800 (Low Beam)

Candela Output:

52,000 (High Beam)

Connector/Wiring:

6-Pin Delphi 12052848

Operating Voltage:

12V: 10-15V

24V: 20-32V DC

Current Draw:

Low Beam: 2.70A @ 12V; 1.20A @ 24V DC

High Beam: 3.40A @ 12V; 1.60A @ 24V DC

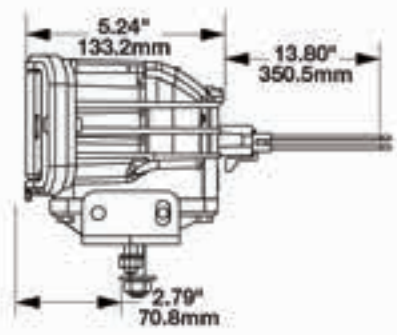
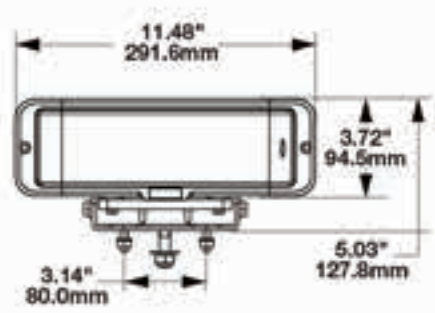
Turn Signal: 0.85A @ 12V; 0.27A @ 24V DC

FP & DRL: 0.04A @ 12V; 0.03A @ 24V DC

Retrofit Information:

5" x 11" Rectangle; Pedestal Mount Headlights

Applications & Standards:



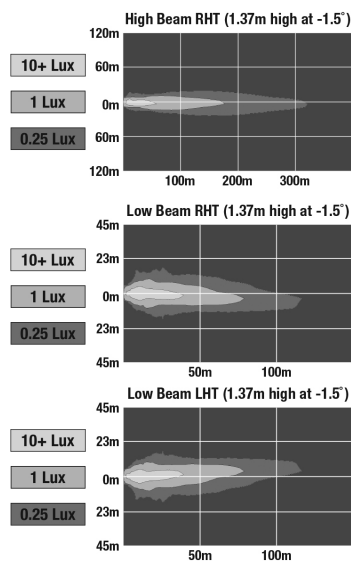
HEATED

PART #	DESCRIPTION
0552243	12V/DOT/High/Low/Turn/Kit of 2
0551803	24V/DOT/High/Low/Turn/Kit of 2
0552433	12V/ECE/LHT/High/Low/Turn/FP & DRL/Kit of 2
0551863	24V/ECE/LHT/High/Low/Turn/FP & DRL/Kit of 2
0552423	12V/ECE/RHT/High/Low/Turn/FP & DRL/Kit of 2
0551833	24V/ECE/RHT/High/Low/Turn/FP & DRL/Kit of 2

NON-HEATED

PART #	DESCRIPTION
0550061	12-24V/DOT/High/Low/Turn/Kit of 2
0550161	12-24V/ECE/RHT/High/Low/Turn/FP & DRL/Kit of 2
0550171	12-24V/ECE/LHT/High/Low/Turn/FP & DRL/Kit of 2

If your vehicle is operated in the United States you do NOT need to connect the Front Position wire (red) unless your vehicle is equipped with a front position light.





PRODUCT SPECIFICATIONS

Raw Lumen Output:

2,880 (High Beam); 2,160 (Low Beam)

Effective Lumen Output:

1,150 (High Beam); 800 (Low Beam)

Candela Output:

52,000 (High Beam)

Connector/Wiring:

6-Pin Delphi 12052848

Operating Voltage:

12-24V DC

Current Draw:

Low Beam: 1.75A @ 12V; 1.00A @ 24V DC

High Beam: 2.50A @ 12V; 1.50A @ 24V DC

Turn: .750A @ 12V DC; .280A @ 24V DC

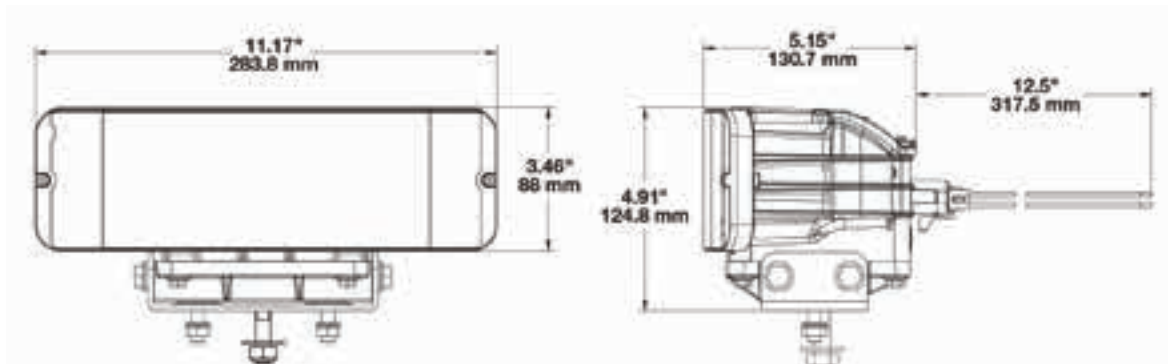
Front Position: .040A @ 12V DC; .025A @ 24V DC

Heater: 2.00A @ 12V DC; 1.75A @ 24V DC

Retrofit Information:

5" x 11" Rectangle; Pedestal Mount Headlights

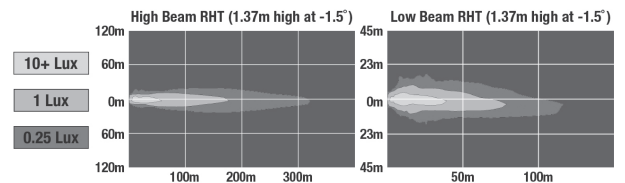
Applications & Standards:



PART # DESCRIPTION

0555743 12-24V DOT/High/Low/Turn/FP/Kit of 2

If your vehicle is operated in the United States you do NOT need to connect the Front Position wire (red) unless your vehicle is equipped with a front position light.



PRODUCT SPECIFICATIONS

Raw Lumen Output:

2370 (Low Beam); 4300 (High Beam)

Effective Lumen Output:

587 (Low Beam); 1060 (High Beam)

Candela Output:

58,000 (High Beam)

Connector/Wiring:

6-Pin Delphi 12052848

Operating Voltage:

9-30V DC

Current Draw:

Low Beam: 3.50A @ 12V; 2.25A @ 24V DC

High Beam: 5.00A @ 12V; 3.00A @ 24V DC

Turn: 1.20A @ 12V DC; .75A @ 24V DC

Front Position: 2.00A @ 12V DC; 1.50A @ 24V DC

DRL: 2.50A @ 12V DC; 1.75A @ 24V DC

Retrofit Information:

3" x 13" Rectangle; Pedestal Mount Headlights

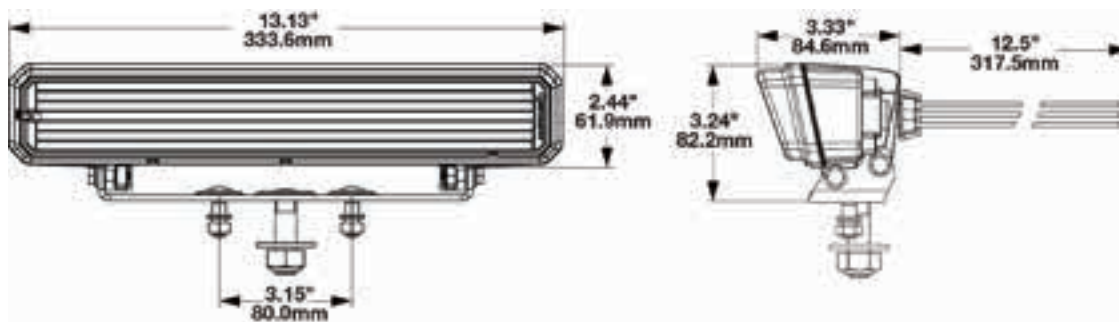
Standards:



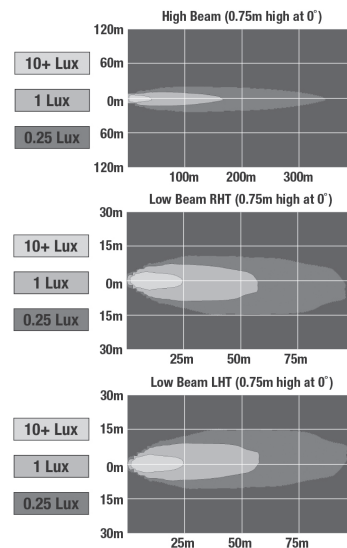
RIGHT HAND LAMP



LEFT HAND LAMP



PART #	DESCRIPTION
0556273	DOT/ECE/RHT/High/Low/Turn/FP & DRL/Kit of 2
0556383	ECE/LHT/High/Low/Turn/FP& DRL/Kit of 2



If your vehicle is operated in the United States you do NOT need to connect the Front Position wire (red) unless your vehicle is equipped with a front position light.

RETAIL DISPLAYS

People need to know how J.W. Speaker's heated lights increase visibility and safety. Our interactive display will explain SmartHeat™ to every customer who walks through the door.

Get one display with each 2,500 stocking order. Your J.W. Speaker Sales Representative has a list of pre-selected tail and work lights; you choose your own combination of heated headlights.

Every display is ready to go—fully assembled with lights installed. A modified tail light remains heated for demonstration.



Allow Us to Make the Introduction.

J.W. Speaker's interactive display demonstrates SmartHeat™ –the latest advancement in safer winter driving. And safety sells.





SIGNAL LIGHTS

MODEL 150



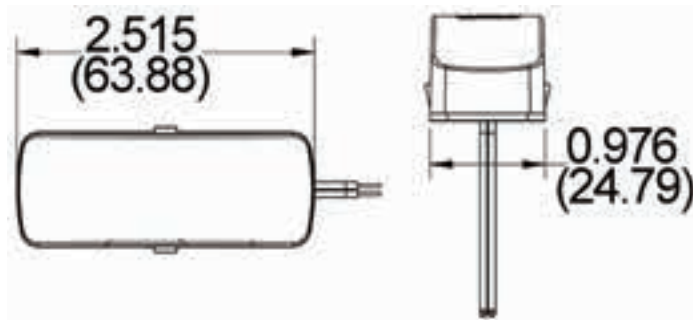
PRODUCT SPECIFICATIONS

Connector/Wiring:
118" Bare Leads

Input Voltage:
12-24V DC

Current Draw:
0.090 (Max)A @ 12V DC

Application & Standards:



PART # DESCRIPTION

0205321	12-24V ECE/SAE Red LED Side Marker Light with Mounting Assembly
0205341	12-24V ECE/SAE Amber LED Side Marker Light with Mounting Assembly
0443051	12-24V Clear/White LED Dome Light with Mounting Assembly

PART # ACCESSORIES

5856032	Replacement Mounting Assembly for Model 150 LED Lights
---------	--

PRODUCT SPECIFICATIONS

Connector:

Bare Leads

Input Voltage:

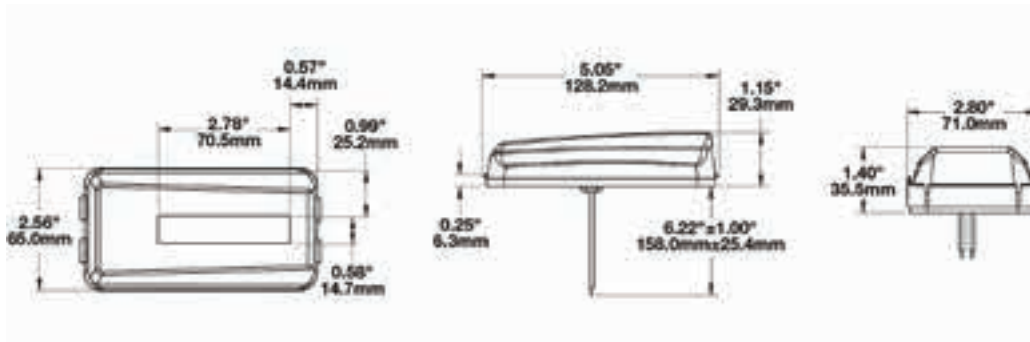
12-24V DC

Current Draw:

0.41A @ 12V DC

0.2A @ 24V DC

Application & Standards:



PART #	CONNECTOR/WIRING	DESCRIPTION
0344301	Deutsch DT04-2P	12-24V ECE/SAE LED Clear Side Turn Signal with Mount
0344311	6" Bare Leads	12-24V ECE/SAE LED Amber Side Turn Signal with Mount
0344461	Deutsch DT04-3P	12-24V ECE/SAE LED Amber Side Marker/Side Turn Signal

MODEL 170



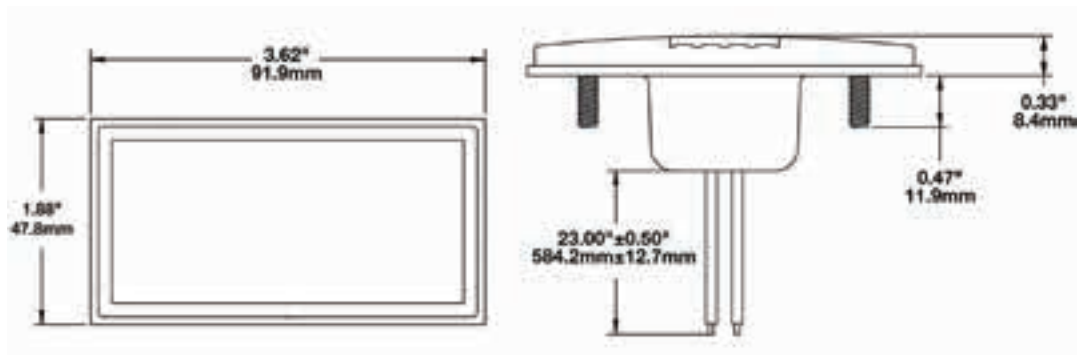
PRODUCT SPECIFICATIONS

Connector/Wiring:
23" Bare Leads

Input Voltage:
12V DC

Current Draw:
0.055-0.070 A @ 12V DC

Application & Standards:



PART #	DESCRIPTION
0230721	12V ECE/SAE Red LED Side Marker Light
0230731	12V ECE/SAE Amber LED Side Marker Light



MODEL 206



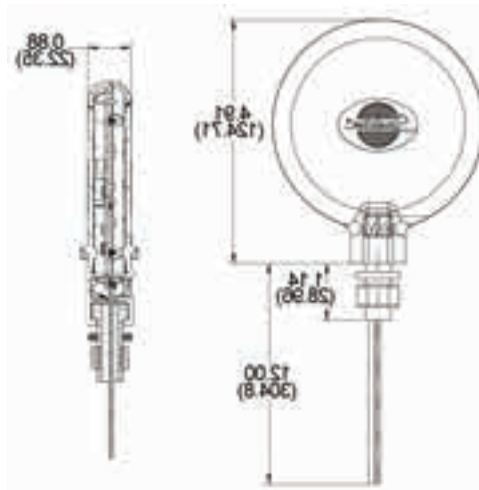
PRODUCT SPECIFICATIONS

Connector/Wiring:
12" Bare Leads

Operating Voltage:
12-24V DC

Current Draw:
0.575A @ 12V DC
0.267A @ 24V DC

Application & Standards:



PART # DESCRIPTION

0341681	12-24V SAE Double-Sided LED Turn Signal without Guard
0341931	12-24V SAE Double-Sided LED Turn Signal with Guard
0342771	12-24V ECE/SAE Single-Sided LED Stop & Tail Light without Guard
0342781	12-24V ECE/SAE Single-Sided LED Stop & Tail Light with Guard

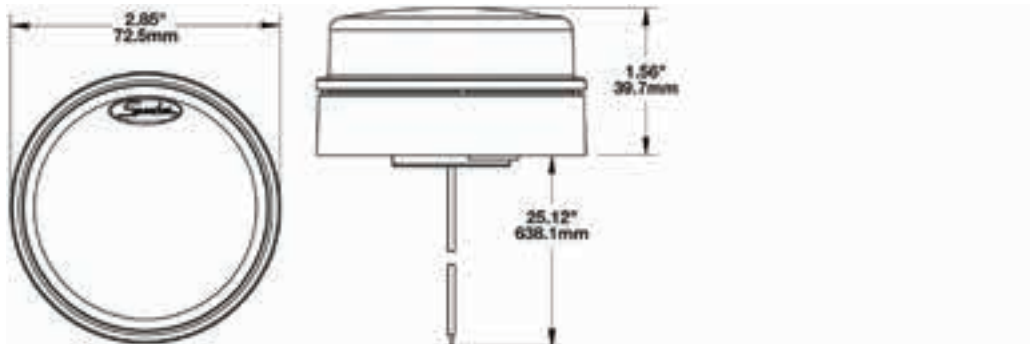
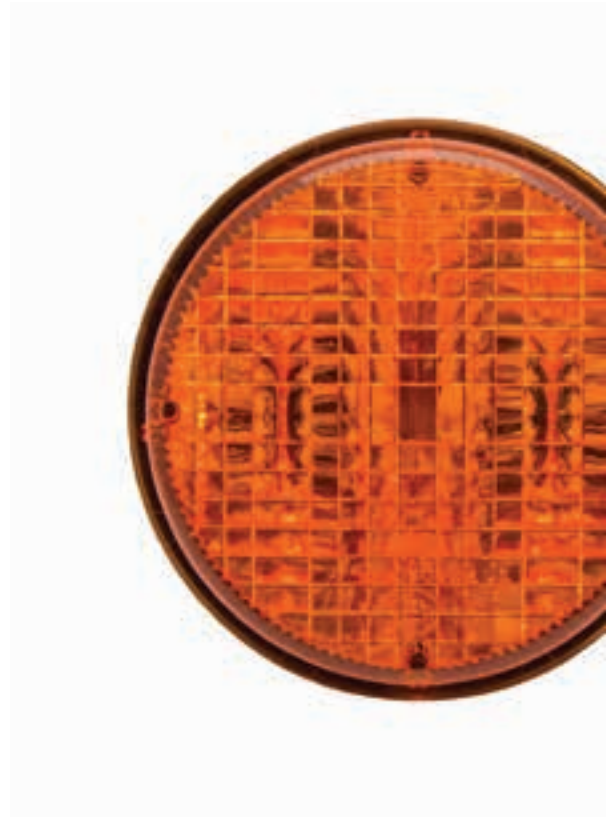
PRODUCT SPECIFICATIONS

Connector/Wiring:
610mm Cable

Operating Voltage:
9-32V DC

Current Draw:
0.12A @ 12V DC
0.07A @ 24V DC

Application & Standards:



PART #	DESCRIPTION
0345421	12-24V SAE/ECE LED Backup Light without 90mm Mounting Assembly Adapter
0345451	12-24V SAE/ECE LED DRL & Front Position Light without 90mm Mounting Assembly Adapter
0345461	12-24V SAE/ECE LED DRL & Front Position Light with 90mm Mounting Assembly Adapter
0345411	12-24V SAE/ECE LED Stop & Tail Light without 90mm Mounting Assembly Adapter
0345521	12-24V SAE/ECE LED Turn Signal with 90mm Mounting Assembly Adapter
0345441	12-24V SAE/ECE LED Turn Signal without 90mm Mounting Assembly Adapter

MODEL 220



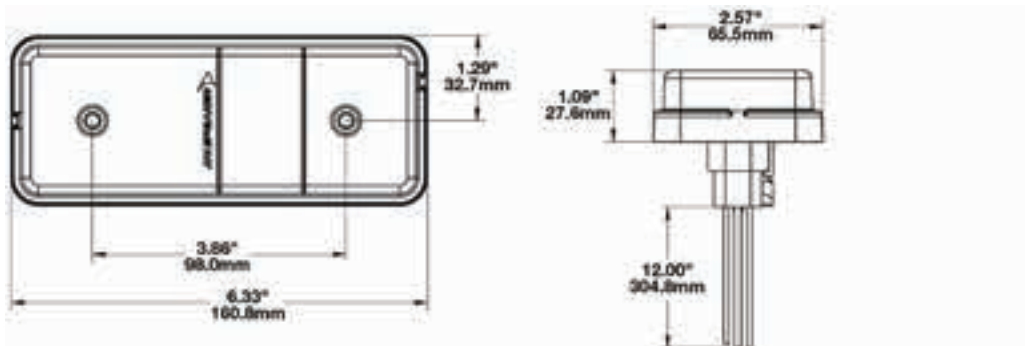
PRODUCT SPECIFICATIONS

Connector/Wiring:
Integral DT04-6P

Operating Voltage:
6-32V DC

Current Draw:
 Stop: 0.16A @ 12V; 0.10A @ 24V DC
 Tail: 0.02A @ 12V; 0.01A @ 24V DC
 Turn: 1.42A @ 12V; 0.71A @ 24V DC
 Backup: 0.14A @ 12V; 0.07A @ 24V DC

Application & Standards:



PART # DESCRIPTION

0338101 12-24V ECE LED Stop, Tail & Turn Signal Light

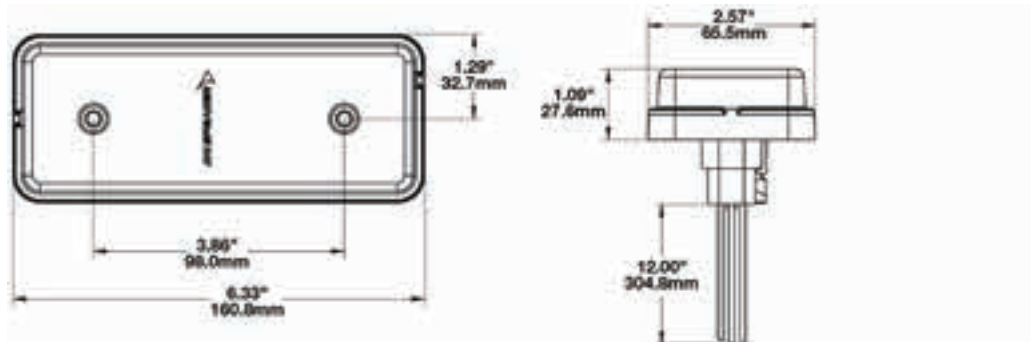
PRODUCT SPECIFICATIONS

Connector/Wiring:
Integral DT04-6P

Operating Voltage:
6-32V DC

Current Draw:
Turn: 1.42A @ 12V; 0.71A @ 24V DC
Front Position: 0.10A @ 12V; 0.05A @ 24V DC

Application & Standards:



PART # DESCRIPTION

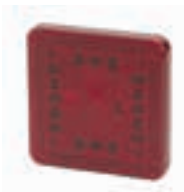
0338111 12-24V ECE LED Front Position & Front Turn Signal Light

MODEL 223 & 224

MODEL 223



MODEL 224



PRODUCT SPECIFICATIONS

Model 223

Connector/Wiring:
4-Pin Deutsch DT04-4P

Operating Voltage:
12-24V DC

Current Draw:
Front Position & Turn:
2.250 A @ 12V DC
0.250 A @ 12V DC
Stop, Tail, & Turn:
0.33A @ 12V DC
0.145A @ 24V DC

Model 224

Connector/Wiring:
4-Pin Deutsch DT06-4S

Operating Voltage:
9-30V DC

Current Draw:
Backup Light:
0.145A @ 12V DC
0.082A @ 24V DC
Fog Light
0.338A @ 12V DC
0.156A @ 24V DC
Stop & Tail
0.190A @ 12V DC
0.030A @ 12V DC
Turn
2.20A @ 12V DC
1.14A @ 24V DC

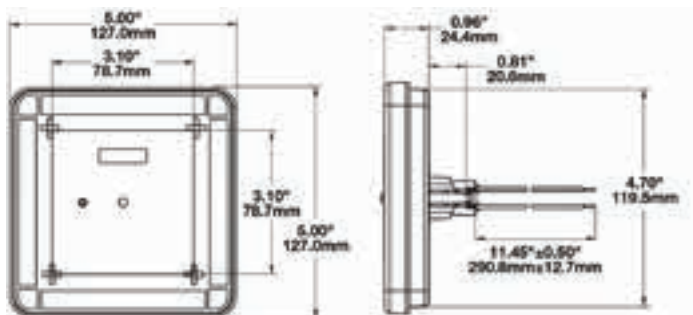
Application & Standards:



MODEL 223

PART # DESCRIPTION

0341711	12-24V ECE LED Front Position/Front Turn Signal Light
0341701	12-24V ECE LED Stop, Tail & Turn Signal Light with Harness



MODEL 224

PART # DESCRIPTION

0442611	12-24V ECE/SAE LED Backup Light with Harness
0342361	12-24V ECE LED Rear Fog Light with Harness
0342301	12-24V ECE/SAE LED Stop & Tail Light
0342291	12-24V ECE/SAE LED Turn Signal Light

MODEL 225

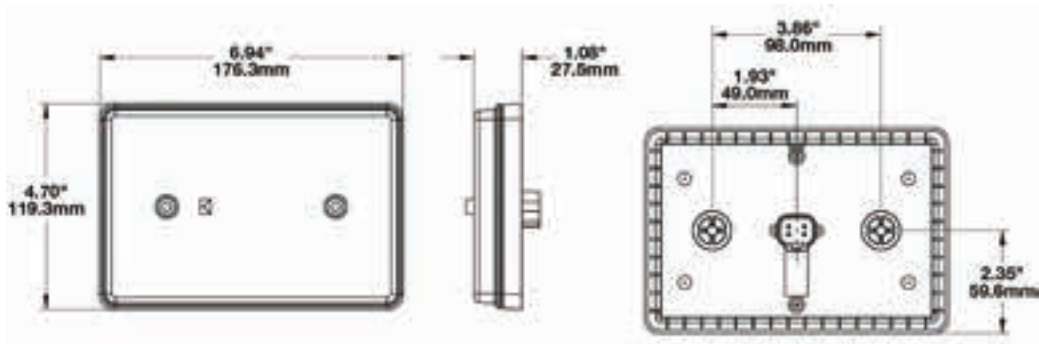
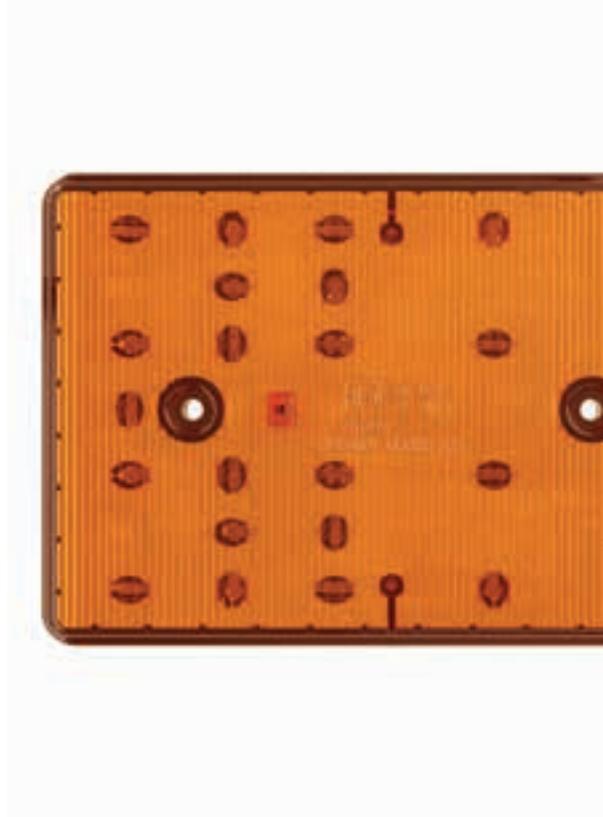
PRODUCT SPECIFICATIONS

Connector/Wiring:
Deutsch DT04-4P

Operating Voltage:
10-32V DC

Current Draw:
1.40A @ 12V DC
0.86A @ 24V DC

Application & Standards:



PART # DESCRIPTION

0347431 12-24V ECE/SAE LED Stop, Tail & Turn Signal Light



PRODUCT SPECIFICATIONS

Effective Lumen Output:
54

Connector/Wiring:
Bare Leads

Operating Voltage:
9-32V DC

Current Draw:
Stop/Turn: 1.3A @ 12V; 0.7A @ 24V DC
Heater: 0.9A @ 12V; 0.5A @ 24V DC

Application & Standards:



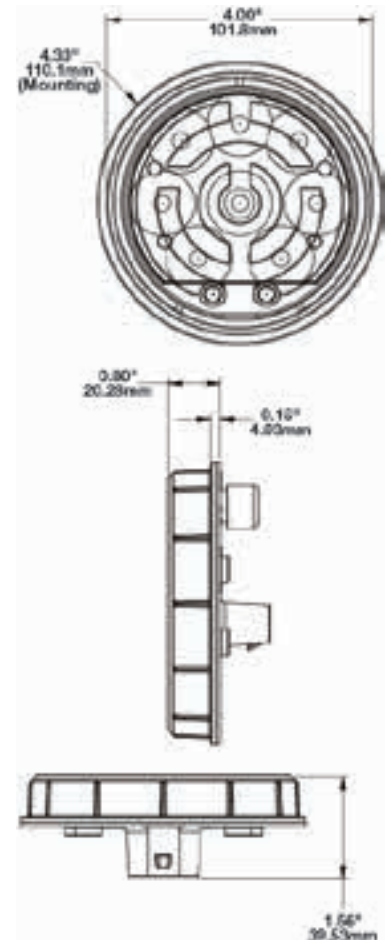
HEATED

PART #	DESCRIPTION
0346261	12-24V DOT LED Heated Red Stop, Tail, & Turn Light
0346264	12-24V DOT LED Heated Red Stop, Tail, & Turn Light Kit with Harness
0347811	12-24V DOT LED Heated Amber Turn Signal
0347814	12-24V DOT LED Heated Amber Turn Signal Kit with Harness
0346471	12-24V DOT LED Heated White Reverse Light
0346474	12-24V DOT LED Heated White Reverse Light Kit with Harness

NON-HEATED

PART #	DESCRIPTION
0347861	12-24V DOT LED Non-Heated Stop, Tail, & Turn Light
0347864	12-24V DOT LED Non-Heated Stop, Tail, & Turn Light Kit with Harness
0347871	12-24V DOT LED Non-Heated Turn Signal
0347874	12-24V DOT LED Non-Heated Turn Signal Kit with Harness
0347881	12-24V DOT LED Non-Heated Reverse Light
0347884	12-24V DOT LED Non-Heated Reverse Light Kit with Harness
0346421	12-48V DOT LED Non-Heated Stop & Tail Light

PART #	ACCESSORIES FOR HEATED & NON-HEATED
4242731	4" Round Rubber Mounting Grommet for Model 234
5869401	4" Round Plastic Mounting Flange for Model 234
8200441	4" Round Stainless Steel Trim Ring for Model 234
8200451	4" Round Chrome Plastic Trim Ring for Model 234
3270501	3-Pin AMP Connector (#282087-1) Wire Harness Assembly



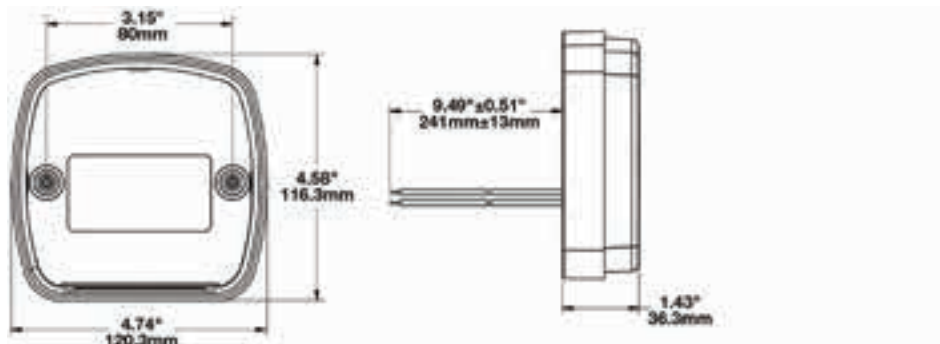
PRODUCT SPECIFICATIONS

Connector/Wiring:
4-Pin Deutsch Plug (DT06-4S)

Operating Voltage:
12-24V DC

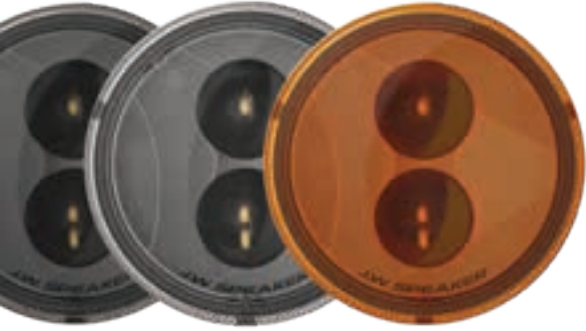
Current Draw:
Stop: 0.350A @ 12V DC
Tail: 0.130A @ 12V DC
Turn: 1.300 A @ 12V DC

Application & Standards:



PART #	DESCRIPTION
0343141	12-24V ECE LED Stop, Tail & Turn Signal Light with License Plate Illuminator
0343151	12-24V ECE LED Stop, Tail & Turn Signal Light without License Plate Illuminator

MODEL 239 J2



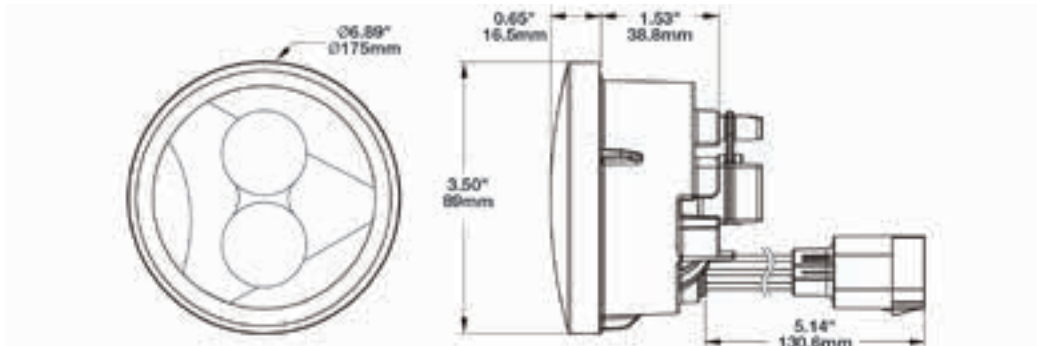
PRODUCT SPECIFICATIONS

Connector/Wiring:
Leads with Connector

Operating Voltage:
9-16V DC

Current Draw:
Front Position: 0.09A @ 12V DC
Turn: 1.91A @ 12V DC

Application & Standards:



PART #	DESCRIPTION
0346483	12V DOT/ECE LED Round Turn Signals with Amber Lens - 2 Light Kit
0346493	12V DOT/ECE LED Round Turn Signals with Clear Lens - 2 Light Kit
0346503	12V DOT/ECE LED Round Turn Signals with Smoked Lens - 2 Light Kit



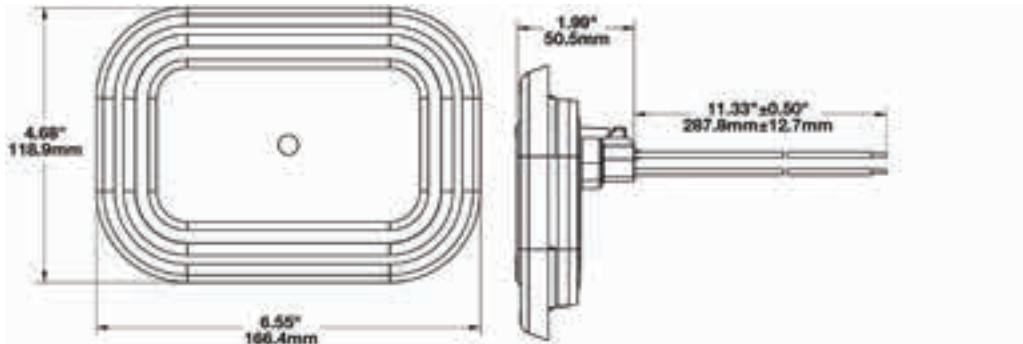
PRODUCT SPECIFICATIONS

Connector/Wiring:
3-Pin Deutsch DT06-3P

Input Voltage:
12-24V DC

Current Draw:
Backup: 0.4A @ 12V; 0.23A @ 24V DC
Stop: 0.167A @ 12V; 0.097A @ 24V DC
Tail: 0.010A @ 12V; 0.030 A @ 24V DC
Turn: 0.35A @ 12V; 0.125A @ 24V DC

Application & Standards:



PART #	DESCRIPTION
0443081	12-24V ECE/SAE LED Backup Light
0343911	12-24V ECE/SAE LED Stop & Tail Light
0343921	12-24V ECE/SAE LED Turn Signal Light

MODEL 265



PRODUCT SPECIFICATIONS

Connector/Wiring:

6-Pin Deutsch DT04-6P-E004; Others Available

Operating Voltage:

9-30V DC

Current Draw:

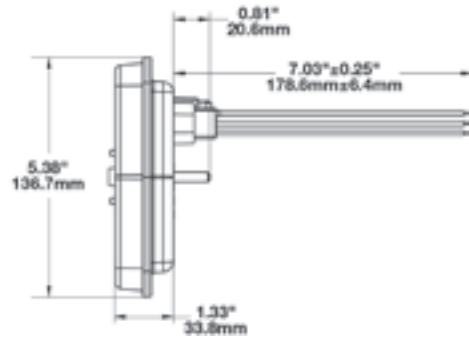
Stop: 0.115A @ 12V; 0.075A @ 24V DC

Tail: 0.010A @ 12V; 0.010A @ 24V DC

Turn: 0.115A @ 12V; 0.080A @ 24V DC

Reverse: 0.045A @ 12V; 0.028A @ 24V DC

Application & Standards:



PART #	DESCRIPTION
--------	-------------

0342421	12-24V ECE/SAE LED Stop, Tail, Turn Signal & Backup Light
---------	---

PRODUCT SPECIFICATIONS

Connector/Wiring:

Integrated 4-Pin Deutsch (DT04-4P)

Input Voltage:

12-24V DC

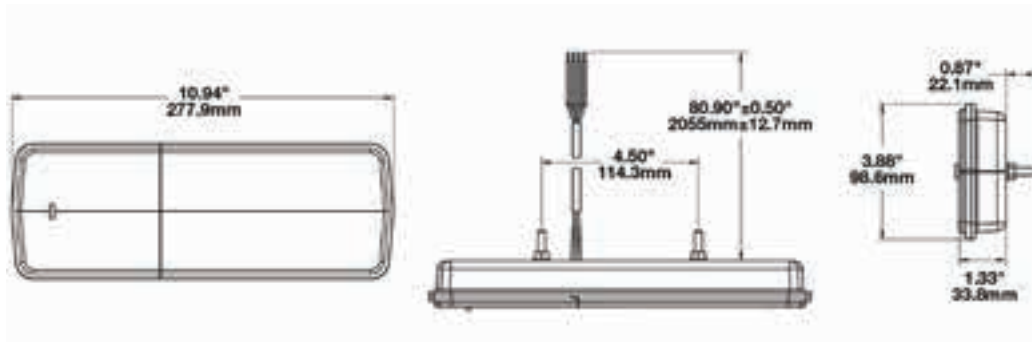
Current Draw:

Stop: 0.375A @ 12V; 0.250A @ 24V DC

Tail: 0.075A @ 12V; 0.05A @ 24V DC

Turn: 0.450A @ 12V; 0.325A @ 24V DC

Application & Standards:



PART # DESCRIPTION

0339711 12-24V ECE/SAE LED Stop, Tail & Turn Signal Light

MODEL 270



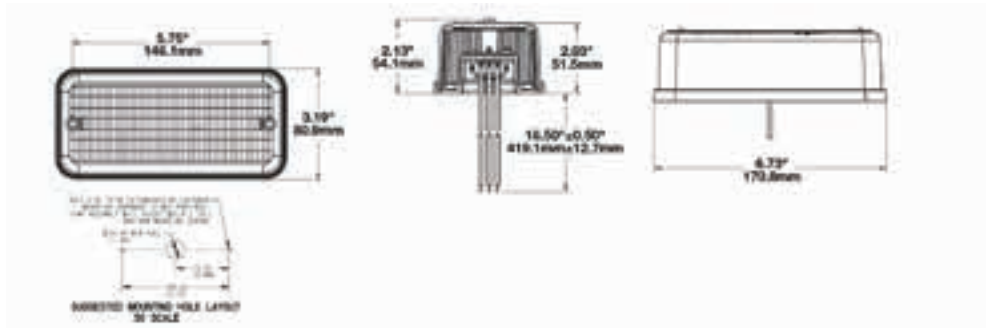
PRODUCT SPECIFICATIONS

Connector/Wiring:
16" Bare Leads

Input Voltage:
12V DC

Current Draw:
Stop: 0.070A @ 12V DC
Tail: 0.007A @ 12V DC
Turn: 0.5A @ 12V DC

Application & Standards:



PART #	DESCRIPTION
--------	-------------

0341341	12V ECE/SAE LED Turn Signal Light
0341361	12V ECE/SAE LED Stop & Tail Light

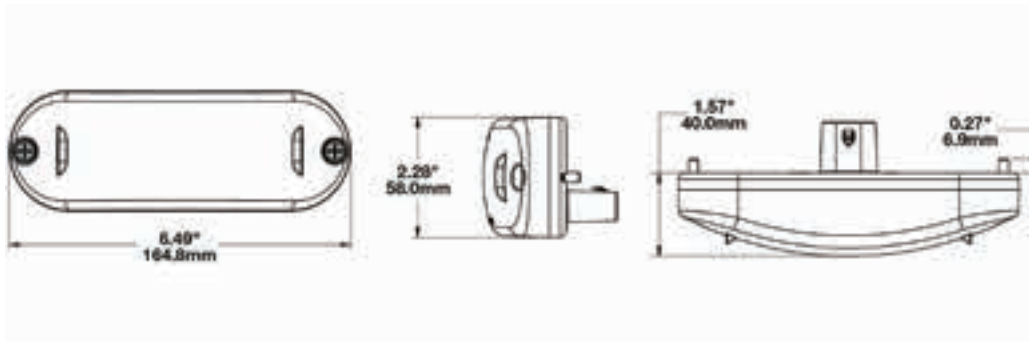
PRODUCT SPECIFICATIONS

Connector/Wiring:
Integrated Delphi Socket

Operating Voltage:
10-30V DC

Current Draw:
Stop & Tail: 0.16A @ 12V; 0.95A @ 24V DC
Turn: 0.19A @ 12V; 0.12A @ 24V DC

Application & Standards:



PART #	DESCRIPTION
0341811	12-24V ECE/SAE LED Stop & Tail Light
0341801	12-24V ECE/SAE LED Turn Signal Light
0343181	12-24V ECE/SAE LED Turn Signal Light



STOP, TAIL, & TURN



PRODUCT SPECIFICATIONS

Connector/Wiring:

3-Pin AMP Connector (282087-1)

Operating Voltage:

12-24V DC

Current Draw:

Reverse: 0.65A @ 12V; 0.35A @ 24V DC

Turn: 0.45A @ 12; 0.30A @ 24V DC

Front Turn: 0.45A @ 12V; 0.25A @ 24V DC

Front Position/Heater: 0.90A @ 12V; 0.55A @ 24V DC

Heater: 0.85A @ 12V; 0.55A @ 24V DC

Stop/Turn: 0.90A @ 12V; 0.60A @ 24V DC

Tail/Heater: 0.80A @ 12V; 0.55A @ 24V DC

Sidemarket/Heater: 0.90A @ 12V; 0.55A @ 24V DC

Application & Standards:

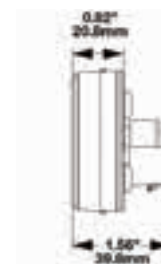
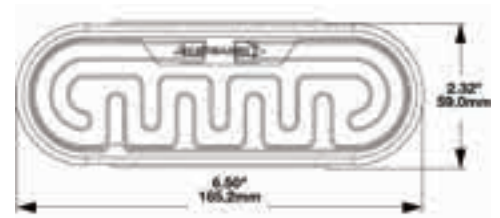


PART # DESCRIPTION

0346701	12-24V DOT LED Heated Red Stop, Tail, & Turn Light
0346704	12-24V DOT LED Heated Red Stop, Tail, & Turn Light with Harness
0346711	12-24V DOT LED Heated Amber Rear Turn Light
0346714	12-24V DOT LED Heated Amber Rear Turn Light with Harness
0346721	12-24V DOT LED Heated White Reverse Light
0346724	12-24V DOT LED Heated White Reverse Light with Harness
0346781	12-24V DOT LED Heated Amber Front Position & Front Turn Signal Light
0346784	12-24V DOT LED Heated Amber Front Position & Front Turn Signal Light with Harness
0346791	12-24V DOT LED Heated Amber Side Marker Light
0346794	12-24V DOT LED Heated Amber Side Marker Light with Harness

PART # ACCESSORIES

4242891	Rubber Mounting Grommet for Model 274
5870261	Plastic Mounting Flange for Model 274
8200581	Steel L-Shaped Mounting Bracket for Model 274
8200591	Chrome Plastic Trim Ring for Model 274
3270501	3-Pin AMP Connector (#282087-1) Wire Harness Assembly



PRODUCT SPECIFICATIONS

Connector/Wiring:

12" Bare Leads

Operating Voltage:

9-32V AC

Current Draw:

Stop: 0.370A @ 12V; 0.220A @ 24V AC

Tail: 0.100A @ 12V; 0.089A @ 24V AC

Reverse: 0.130A @ 12V; 0.100A @ 24V AC

Application & Standards:



PART # DESCRIPTION

0347553 12-24V DOT LED Tail Light - 2 Light Kit

0347563 12-24V ECE LED Tail Light - 2 Light Kit

PART # ACCESSORIES

8200231 Mounting Kit for Model 279 - 2 Light Kit

MODEL 279 J



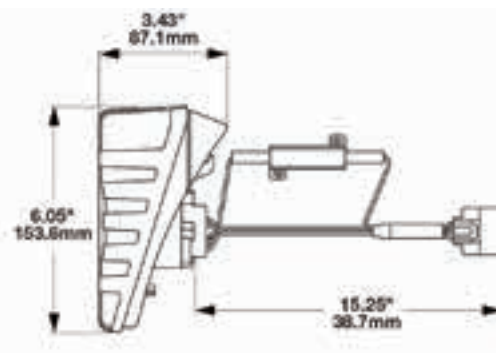
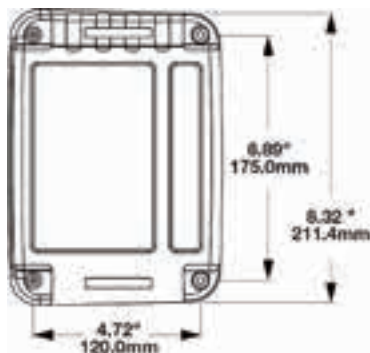
PRODUCT SPECIFICATIONS

Connector/Wiring:
YAZAKI 7287-2779-30

Operating Voltage:
9-32V DC

Current Draw:
Stop/Turn: 1.70A @ 12V; 0.21A @ 24V DC
Tail: 0.10A @ 12V; 0.09A @ 24V DC
Reverse: 0.18A @ 12V; 0.10A @ 24V DC

Application & Standards:



PART #	DESCRIPTION
0347531	12-24V DOT LED Jeep Tail Light - 2 Light Kit
0347541	12-24V ECE LED Jeep Tail Light - 2 Light Kit

MODEL 280, 281 & 283

PRODUCT SPECIFICATIONS

Model 280

Connector/Wiring:
Wire Harness with Bare Leads

Operating Voltage:
9-16V DC

Current Draw:
Stop: 0.105A @ 12V DC
Tail: 0.020A @ 12V DC
Turn: 0.105A @ 12V DC
Backup: 0.090A @ 12V DC

Model 281

Connector/Wiring:
12" Bare Leads

Operating Voltage:
9-16V DC

Current Draw:
0.4A @ 12V DC
0.4A @ 24V DC
0.4A @ 36V DC
0.4A @ 48V DC

Model 283

Connector/Wiring:
120" Bare Leads

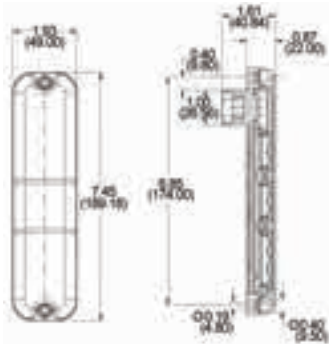
Operating Voltage:
9-16V DC

Current Draw:
Stop: 0.151A @ 12V; 0.078A @ 24V DC
Tail: 0.008A @ 12V; 0.008A @ 24V DC
Turn: 0.161A @ 12V; 0.084A @ 24V DC

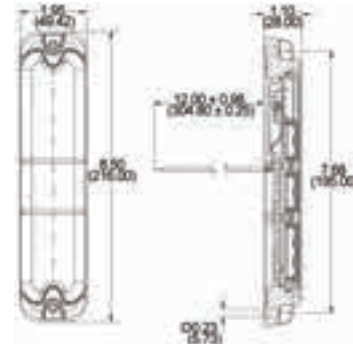
Application & Standards:



MODEL 280



MODEL 281



PART # DESCRIPTION

0346561 12V LED Stop, Tail, Turn Signal & Backup Light

PART # DESCRIPTION

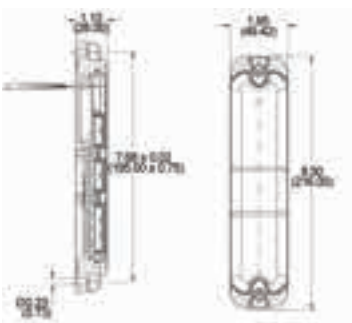
0338061 12V LED Stop, Tail, Turn Signal & Backup Light without Flasher

0338091 24-36V LED Stop, Tail, Turn Signal & Backup Light without Flasher

0339011 48V LED Stop, Tail, Turn Signal & Backup Light without Flasher

0339021 48V LED Stop, Tail, Turn Signal & Backup Light Kit (2 Lights with 2 Amp Flasher)

MODEL 283



PART # DESCRIPTION

0339921 12-24V ECE LED Stop, Tail & Turn Signal Light

MODEL 412



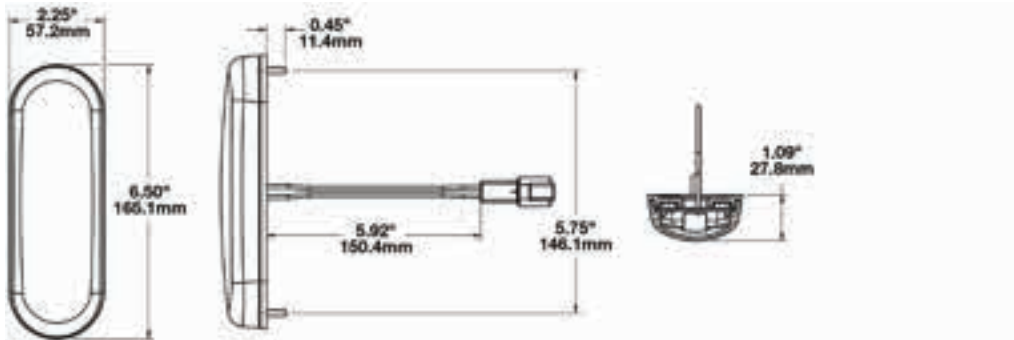
PRODUCT SPECIFICATIONS

Connector/Wiring:
7" Bare Leads

Input Voltage:
12-48V DC

Current Draw:
Front Position & Turn: 0.21A @ 12V; 0.104A @ 24V;
0.07A @ 36V; 0.082A @ 48V DC
Interior: 0.10A to 0.13A @ 12V; 0.055A to 0.08A @ 24V;
0.045A to 0.07A @ 36V; 0.045A to 0.07A @ 48V DC

Application & Standards:



PART # DESCRIPTION

0343121	12-48V ECE LED Front Position & Front Turn Signal Light
0442511	12-48V Clear LED Dome Light with 7" Bare Leads, No Switch, No Timer
0443011	12-48V Clear LED Dome Light with 7" Bare Leads & Switch, No Timer
0443301	12-48V Clear LED Dome Light with Deutsch Connector, Switch & 60 Minute Timer

MODEL 775 XD WORK & TURN LIGHT

PRODUCT SPECIFICATIONS

Raw Lumen Output:
600

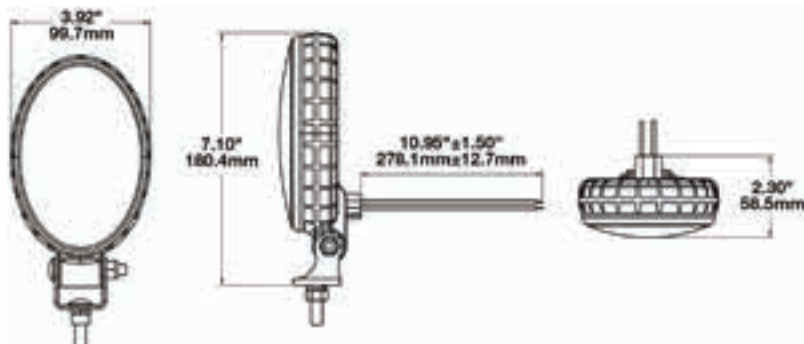
Effective Lumen Output:
400

Connector/Wiring:
2-Pin Deutsch Weather-Proof Plug (DT06-2S)

Operating Voltage:
9-60V DC

Current Draw:
1.2A @ 12V DC
0.6A @ 24V DC
0.4A @ 36V DC
0.3A @ 48V DC

Application & Standards:

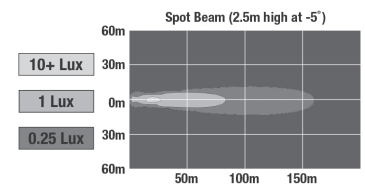


PART # DESCRIPTION

1707191	12-48V Amber Clear LED Work Light with Flood Beam & Turn Signal
1707201	12-48V Amber Clear LED Work Light with Spot Beam & Turn Signal

PART # ACCESSORIES

8200011	Magnet Mount Kit for XD Series Work Lights
8200101	Stainless Steel Mounting Kit for Work Lights & Marine Lights
8200121	Black Mounting Kit for Work Lights & Marine Lights
8200671	4-Pin Deutsch Connector Kit



MODEL 6042



PRODUCT SPECIFICATIONS

Connector/Wiring:

Female Terminal Mole1 ETC AA-2140 T or #8 Ring Terminal

Input Voltage:

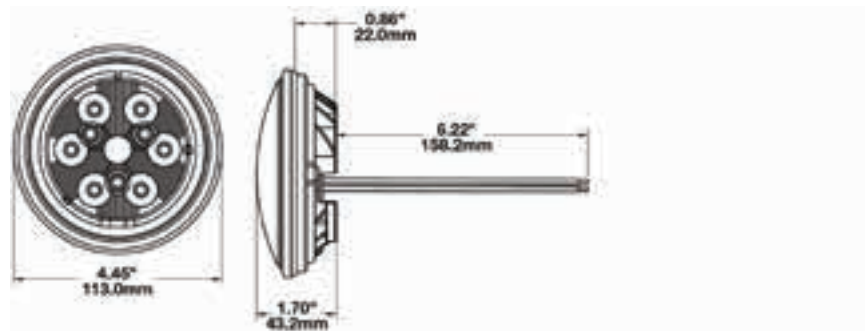
12-24V DC

Current Draw:

Stop: 0.165A @ 12V; 0.180A @ 24V DC

Tail: 0.012A @ 12V; 0.012A @ 24V DC

Application & Standards:



PART # DESCRIPTION

0343211 12-24V SAE LED Stop & Tail Light

MODEL 6043 WORK & TAIL LIGHT

PRODUCT SPECIFICATIONS

Raw Lumen Output:
1,140 (Worklight)

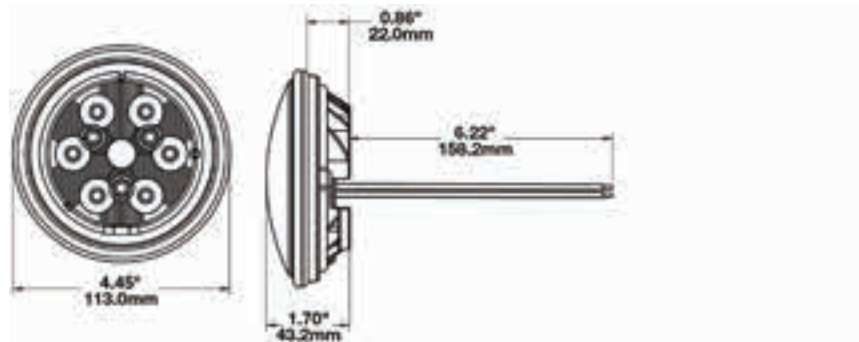
Effective Lumen Output:
700 (Worklight)

Connector/Wiring:
6" Bare Leads

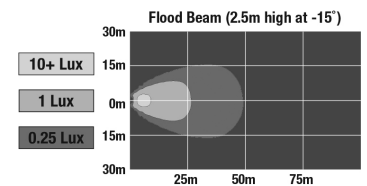
Operating Voltage:
12-24V DC

Current Draw:
Work Light: 0.60A @ 12V DC
Tail Light: 0.11A @ 12V DC

Application & Standards:



PART #	DESCRIPTION
0344731	12-24V LED Work Light & Tail Light







INTERIOR

MODEL 150



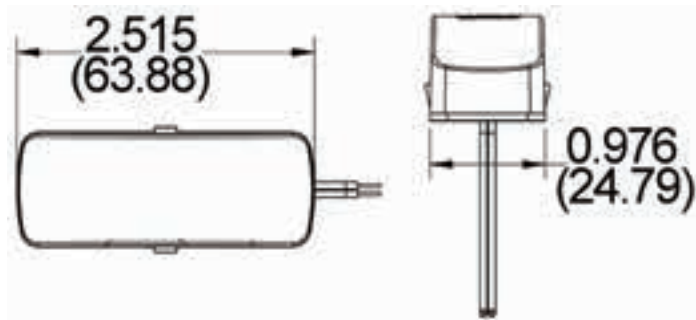
PRODUCT SPECIFICATIONS

Connector/Wiring:
118" Bare Leads

Input Voltage:
12-24V DC

Current Draw:
0.090 (Max)A @ 12V DC

Application & Standards:



PART # DESCRIPTION

0205321	12-24V ECE/SAE Red LED Side Marker Light with Mounting Assembly
0205341	12-24V ECE/SAE Amber LED Side Marker Light with Mounting Assembly
0443051	12-24V Clear/White LED Dome Light with Mounting Assembly

PART # ACCESSORIES

5856032	Replacement Mounting Assembly for Model 150 LED Lights
---------	--

MODEL 186

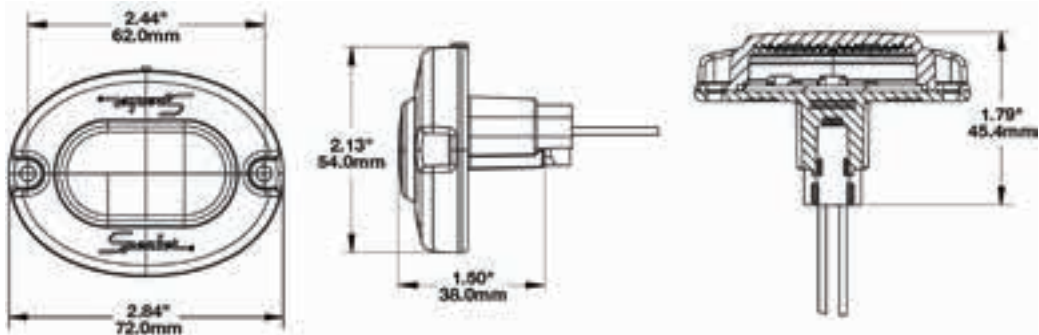
PRODUCT SPECIFICATIONS

Connector/Wiring:
2-Pin Deutsch (DT04-2P)

Input Voltage:
12-24V DC

Current Draw:
0.105A @ 12V DC
0.105A @ 24V DC

Application & Standards:



PART #	DESCRIPTION
--------	-------------

0442641	12-24V LED Utility Light
---------	--------------------------

MODEL 282



PRODUCT SPECIFICATIONS

Connector/Wiring:

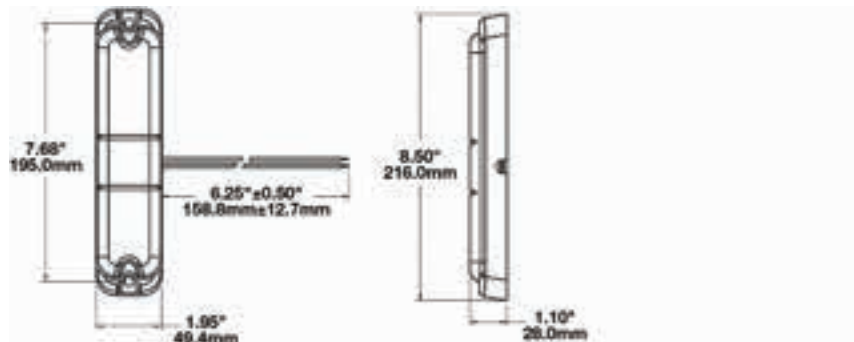
Optional 2-Pin Deutsch Socket (DT04-2P);
3-Pin Deutsch Socket (DT04-3P)

Input Voltage:

12-24V DC

Current Draw:

Application & Standards:



PART #	DESCRIPTION
--------	-------------

0442131	12-24V LED Dome Light
---------	-----------------------

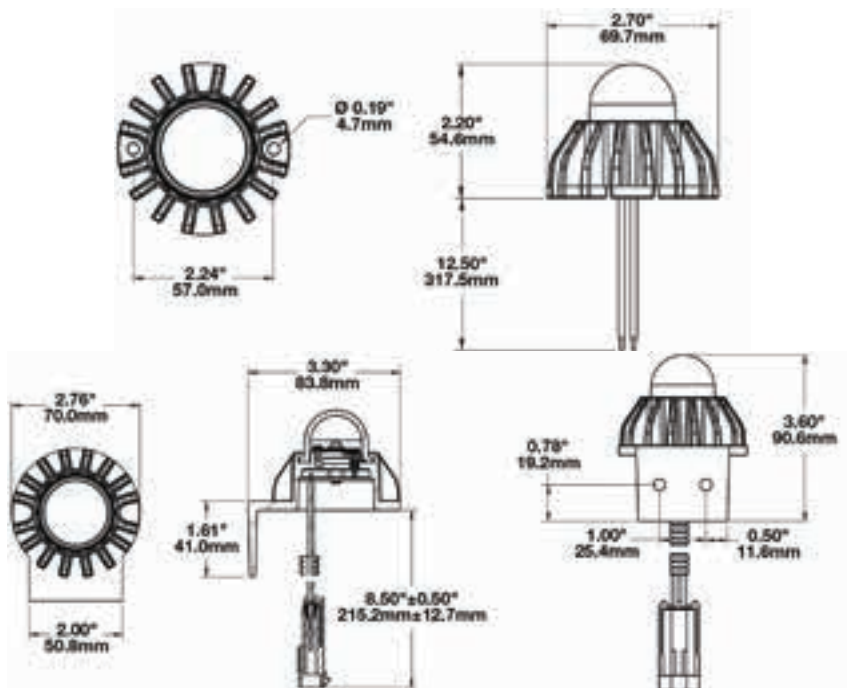
PRODUCT SPECIFICATIONS

Connector/Wiring:
Aptiv Weather Pack (12010973)

Operating Voltage:
50-90V DC

Current Draw:
0.4A @ 12V DC
0.21A @ 24V DC
60mA MaxA @ 75V DC

Application & Standards:



PART #	DESCRIPTION
0442501	12-24V LED Engine Compartment Light with Mounting Bracket
0442541	12-24V LED Engine Compartment Light without Mounting Bracket
0443561	75V LED Engine Compartment Light with Mounting Bracket

MODEL 410 & 411

MODEL 410



MODEL 411



PRODUCT SPECIFICATIONS

Model 410

Connector/Wiring:
MOLEX P/N 190250004

Operating Voltage:
9-32V DC

Current Draw:
0.14A @ 12V DC
0.09A @ 24V DC

Model 411

Connector/Wiring:
Bare Leads

Operating Voltage:
9-32V DC

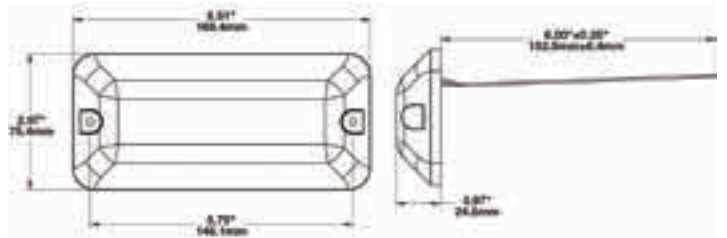
Current Draw:
0.14A @ 12V DC
0.09A @ 24V DC

Application & Standards:



PART # DESCRIPTION

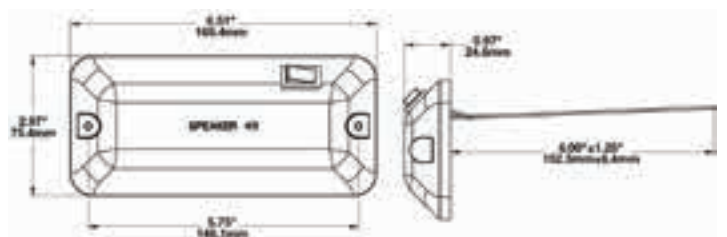
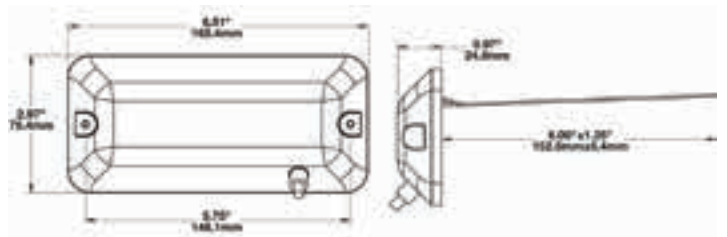
0443271 12-24V LED Dome Light



PART # DESCRIPTION

0443281 12-24V LED Dome Light with On/Off Button

0443291 12-24V LED Dome Light with On/Off/Door Rocker Switch



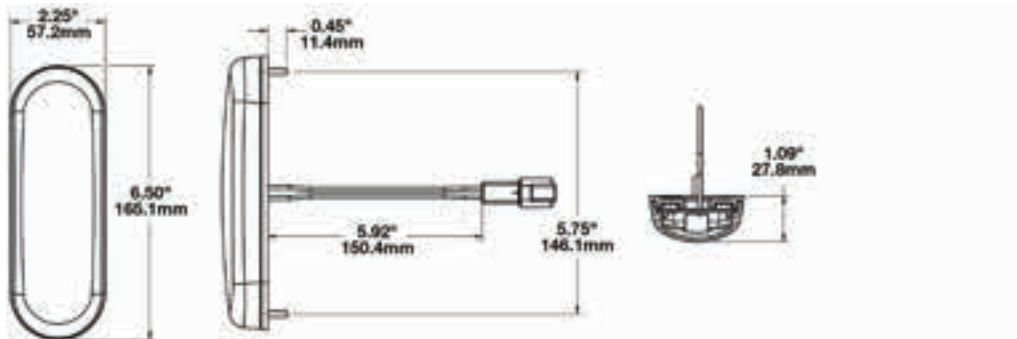
PRODUCT SPECIFICATIONS

Connector/Wiring:
7" Bare Leads

Input Voltage:
12-48V DC

Current Draw:
Front Position & Turn: 0.21A @ 12V; 0.104A @ 24V;
0.07A @ 36V; 0.082A @ 48V DC
Interior: 0.10A to 0.13A @ 12V; 0.055A to 0.08A @ 24V;
0.045A to 0.07A @ 36V; 0.045A to 0.07A @ 48V DC

Application & Standards:



PART #	DESCRIPTION
0343121	12-48V ECE LED Front Position & Front Turn Signal Light
0442511	12-48V Clear LED Dome Light with 7" Bare Leads, No Switch, No Timer
0443011	12-48V Clear LED Dome Light with 7" Bare Leads & Switch, No Timer
0443301	12-48V Clear LED Dome Light with Deutsch Connector, Switch & 60 Minute Timer

MODEL 417



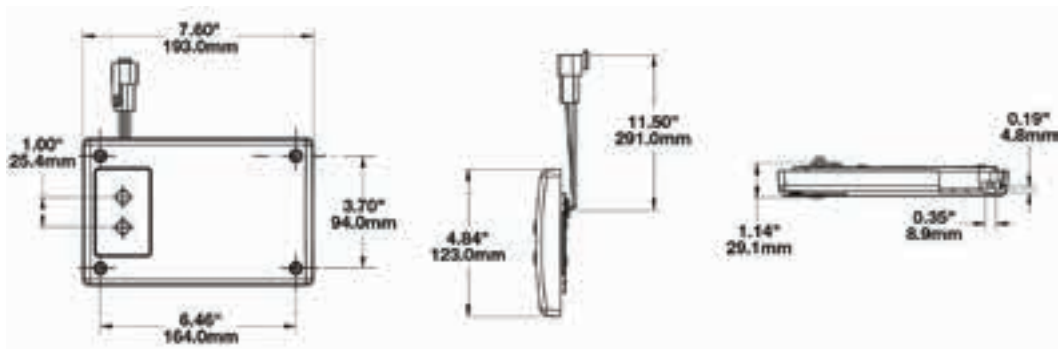
PRODUCT SPECIFICATIONS

Connector/Wiring:
3-Pin Deutsch Socket (DT04-3P)

Input Voltage:
12V DC

Current Draw:
0.175A @ 12V DC (Red x 2)
0.325A @ 12V DC (White x 4)
0.025A @ 12V DC (White x 1)

Application & Standards:



PART # DESCRIPTION

0442261	12V Red/White LED Dome Light with Inner Optics
0442411	24V Red/White LED Dome Light with Inner Optics
0443171	12-24V Red/White LED Dome Light without Inner Optics



WARNING

MODEL 146



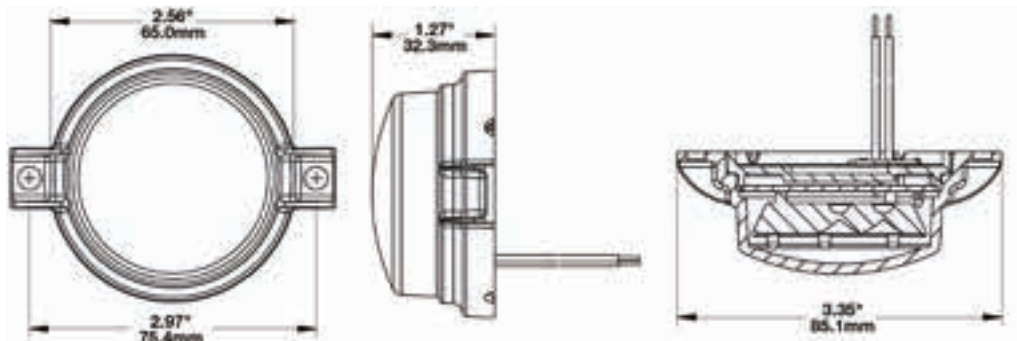
PRODUCT SPECIFICATIONS

Connector/Wiring:
6" Bare Leads

Operating Voltage:
12-48V DC

Current Draw:
0.075 - 0.100 A @ 12V DC
0.035 - 0.050 A @ 24V DC
0.020 - 0.035 A @ 36V DC
0.018 - 0.030 A @ 48V DC

Application & Standards:



PART # DESCRIPTION

0646321 12-48V LED Amber Flashing Warning Light

PRODUCT SPECIFICATIONS

Connector/Wiring:

9" Bare Leads

Input Voltage:

12-48V DC

Current Draw:

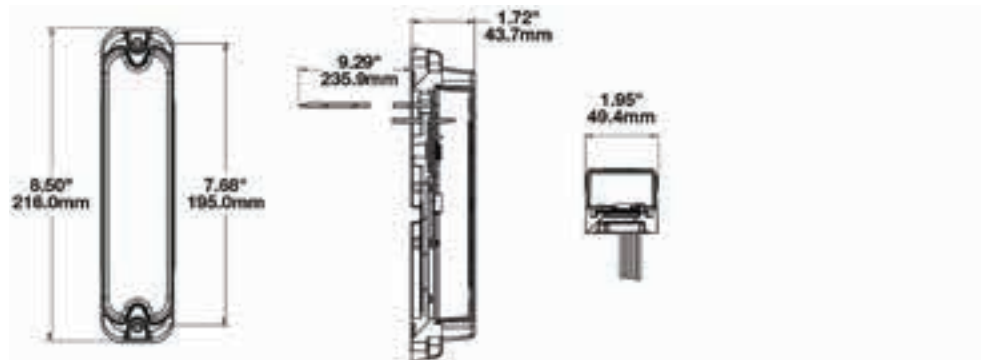
0.50A @ 12V DC

0.25A @ 24V DC

0.175A @ 36V DC

0.125A @ 48V DC

Application & Standards:



PART #	DESCRIPTION
0645661	12-48V SAE LED Amber Strobe Light
0645761	12-48V SAE LED Blue Strobe Light

MODEL 406 & 407



PRODUCT SPECIFICATIONS

Model 406

Candela Output:
280

Connector/Wiring:
12" Leads

Operating Voltage:
9-110V DC

Current Draw:
0.345A @ 12V DC
0.225A @ 24V DC
0.163A @ 36V DC
0.131A @ 48V DC
0.100A @ 72V DC

Model 407

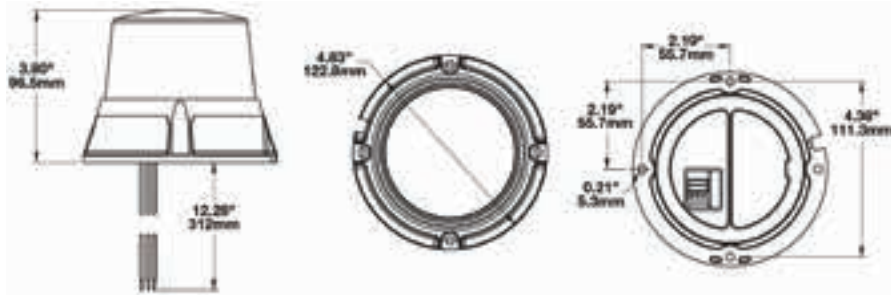
Candela Output:
560

Connector/Wiring:
12" Leads

Operating Voltage:
9-110V DC

Current Draw:
0.915A @ 12V DC
0.500A @ 24V DC
0.340A @ 36V DC
0.265A @ 48V DC
0.190A @ 72V DC

Application & Standards:



Model 406

PART #	DESCRIPTION
0646501	12-80V LED Amber Class II Strobe Light
0646541	12-80V LED Red Class II Strobe Light
0646531	12-80V LED Blue Class II Strobe Light
0646731	12-80V LED Amber Class II Strobe Light with DIN Pole Mount
0646881	12-80V LED Amber Class II Strobe Light with Magnet Mount & Adapter

PART #	ACCESSORIES
8200213	DIN Pole Mount for 406 & 407 LED Strobe Lights
0728321	Pipe Mount with Straight Bracket for DIN Pole Mount
0728311	Pipe Mount with L Bracket for DIN Pole Mount
0728301	Pipe Mount with Fold-Down Bracket for DIN Pole Mount
0728331	Pipe Mount with Threaded Pipe Mount for DIN Pole Mount
0728341	Pipe Mount with Weld-on Bracket for DIN Pole Mount

Model 407

PART #	DESCRIPTION
0646491	12-80V LED Amber Class I Strobe Light
0646561	12-80V LED Red Class I Strobe Light
0646551	12-80V LED Blue Class I Strobe Light
0646571	12-80V LED Green Class I Strobe Light
0646741	12-80V LED Amber Class I Strobe Light with DIN Pole Mount
0646891	12-80V LED Amber Class I Strobe Light with Magnet Mount

MODEL 523 BLU SPOT

PRODUCT SPECIFICATIONS

Raw Lumen Output:
1,675

Effective Lumen Output:
864

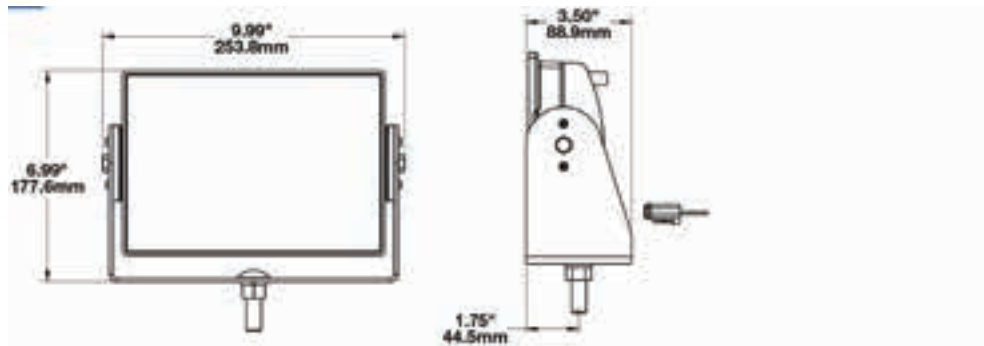
Candela Output:
42,300

Connector/Wiring:
2-Pin Deutsch (DT04-2P)

Operating Voltage:
20-32V DC

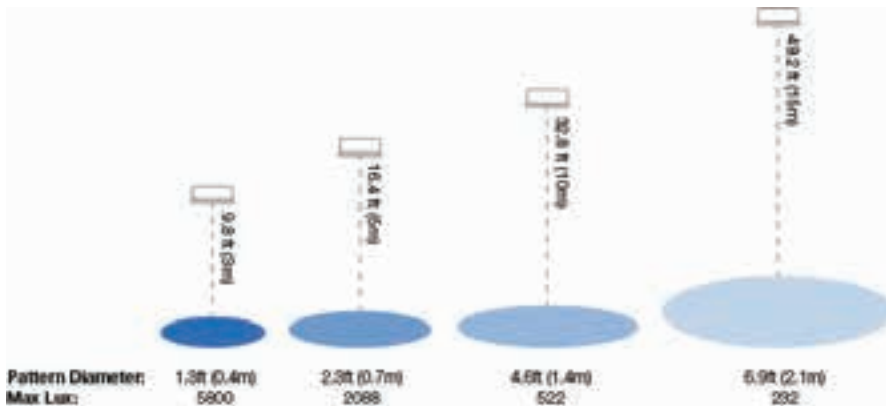
Current Draw:
4.30A @ 24V DC

Application & Standards:



PART #	DESCRIPTION
--------	-------------

0551231	24V LED Safety Light with Blue Light, Black Housing & Spot Beam Pattern
0552301	24V LED Safety Light with Blue Light, Yellow Housing & Spot Beam Pattern



MODEL 527



PRODUCT SPECIFICATIONS

Raw Lumen Output:
720

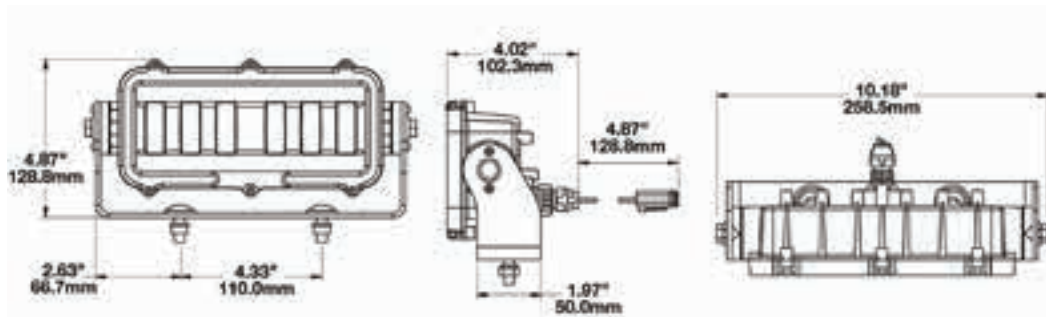
Effective Lumen Output:
670

Connector/Wiring:
2-Pin Deutsch DT04-2P

Operating Voltage:
10-32V DC

Current Draw:
1.6A @ 12V DC
0.85A @ 24V DC

Application & Standards:



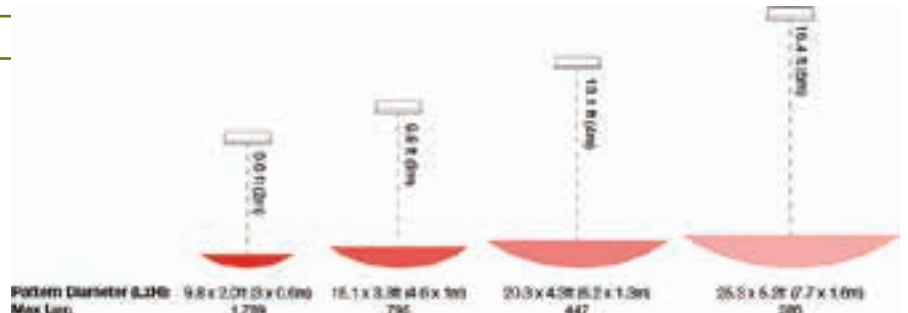
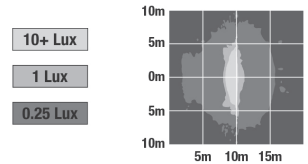
PART # DESCRIPTION

0549271	12-24V LED Red Zone Light
0551271	12-24V LED Green Zone Light
0551281	12-24V LED Amber Zone Light
0551261	12-24V LED White Zone Light
0647011	12-24V LED Red & Green Zone Light
0647021	12-24V LED Amber & Green Zone Light

PART # ACCESSORIES

8200151	Rock Guard Kit for Model 527
---------	------------------------------

"Keep Out" Pattern (6m high at 0')



MODEL 538

PRODUCT SPECIFICATIONS

Flash Rate 1

60 +/- 10 fpm

Connector/Wiring:

13.5" Bare Leads

Operating Voltage:

12-80VDCV DC

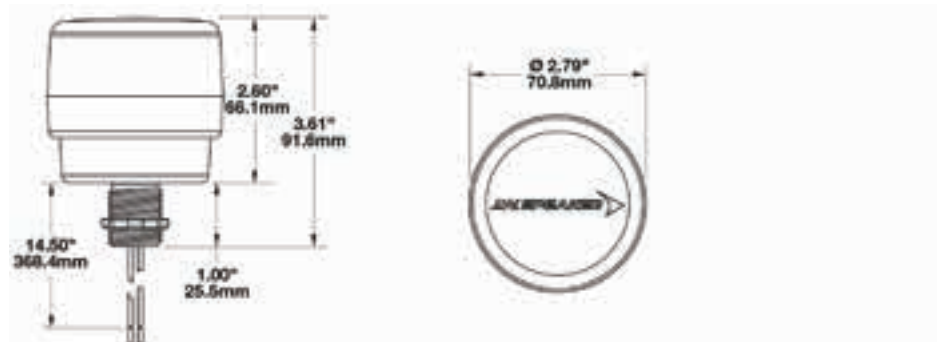
Current Draw:

0.256A @ 12V DC

0.088A @ 48V DC

0.076A @ 80V DC

Application & Standards:



PART # DESCRIPTION

0646391 12-80V Amber Class III LED Strobe Light with Pipe Mount

0646401 12-80V Red Class III LED Strobe Light with Pipe Mount

0646411 12-80V Green Class III LED Strobe Light with Pipe Mount

0646421 12-80V Blue Class III LED Strobe Light with Pipe Mount

0646431 12-80V White Class III LED Strobe Light with Pipe Mount

MODEL 539



PRODUCT SPECIFICATIONS

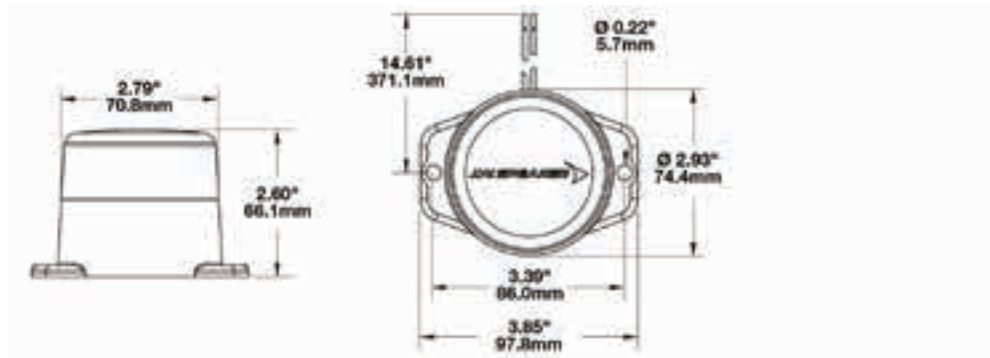
Flash Rate 1:
60 +/- 10 fpm

Connector/Wiring:
13.5" Bare Leads

Operating Voltage:
12-80VDCV DC

Current Draw:
0.256A @ 12V DC
0.088A @ 48V DC
0.076A @ 80V DC

Application & Standards:



PART # DESCRIPTION

0646441	12-80V Amber Class III LED Strobe Light with Flange Mount
0646451	12-80V Red Class III LED Strobe Light with Flange Mount
0646461	12-80V Green Class III LED Strobe Light with Flange Mount
0646471	12-80V Blue Class III LED Strobe Light with Flange Mount
0646481	12-80V White Class III LED Strobe Light with Flange Mount

PRODUCT SPECIFICATIONS

Connector/Wiring:

Bare Leads

Input Voltage:

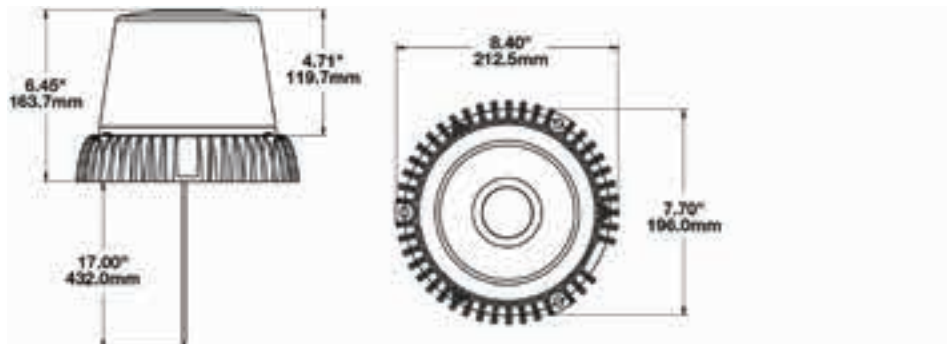
12-24V DC

Current Draw:

3.7A @ 12V DC

2A @ 24V DC

Application & Standards:



PART #	DESCRIPTION
0643151	12-24V ECE/SAE 3-Mode Amber Class I LED Strobe Light with Black Housing
0646281	12-24V ECE/SAE 3-Mode Red Class I LED Strobe Light with Black Housing

MODEL 710



PRODUCT SPECIFICATIONS

Raw Lumen Output:
2,000 (6 LEDs); 1,630 (3 LEDs)

Effective Lumen Output:
1,600 (6 LEDs); 780 (3 LEDs)

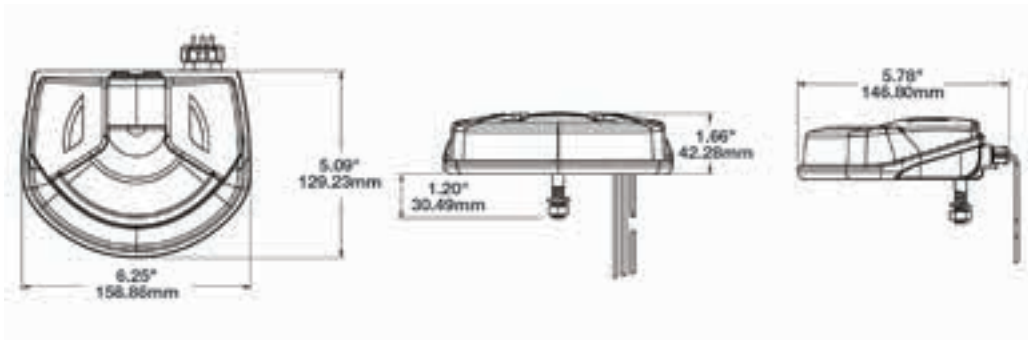
Connector/Wiring:
Integrated 3-Pin Packard (12129615)

Operating Voltage:
9-110V DC

Current Draw:
3 LEDs: 1.54A @ 12V; 0.67A @ 24V; 0.33A @ 60V;
0.20A @ 110V DC
6 LEDs: 1.59A @ 12V; 0.74A @ 24V; 0.34A @ 60V;
0.23A @ 110V DC

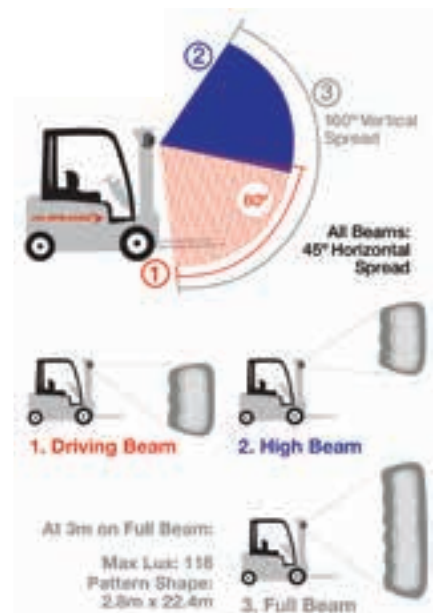
Retrofit Information:
Compact work light, ideal for material handling equipment like forklifts

Application & Standards:



PART #	DESCRIPTION
1000121	2-Pin Vertical Flood Beam
1000101	3-Pin Vertical Flood Beam

PART #	ACCESSORIES
8200501	Click Bond Stud Mounting Kit



MODEL 770 BLU & RED

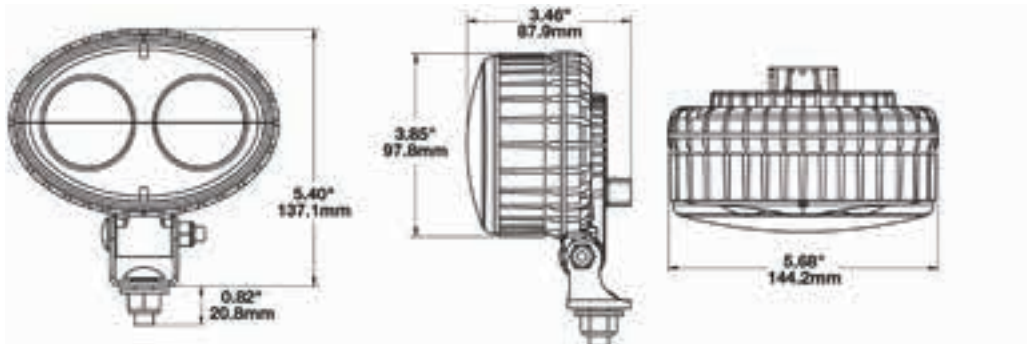
PRODUCT SPECIFICATIONS

Connector/Wiring:
Integrated

Operating Voltage:
9-120V DC

Current Draw:
0.50A @ 12V DC
0.12A @ 60V DC
0.08A @ 110V DC

Application & Standards:



PART # DESCRIPTION

1706311	12-110V LED Blue Material Handling Safety Light
1706921	12-110V LED Blue Arrow Material Handling Safety Light
1706441	12-110V LED Red Safety Spot Light
1706911	12-110V LED Red Arrow Safety Spot Light

MODEL 777



PRODUCT SPECIFICATIONS

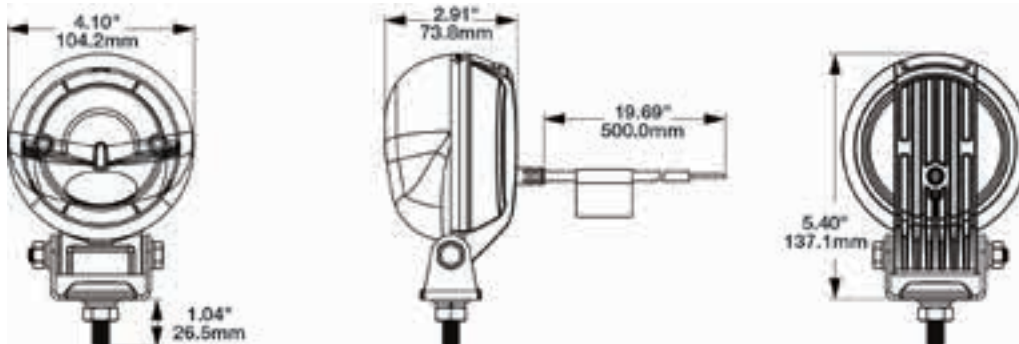
Effective Lumen Output:
10-80V DC

Connector/Wiring:
19.5" Bare Leads

Operating Voltage:
10-80V DC

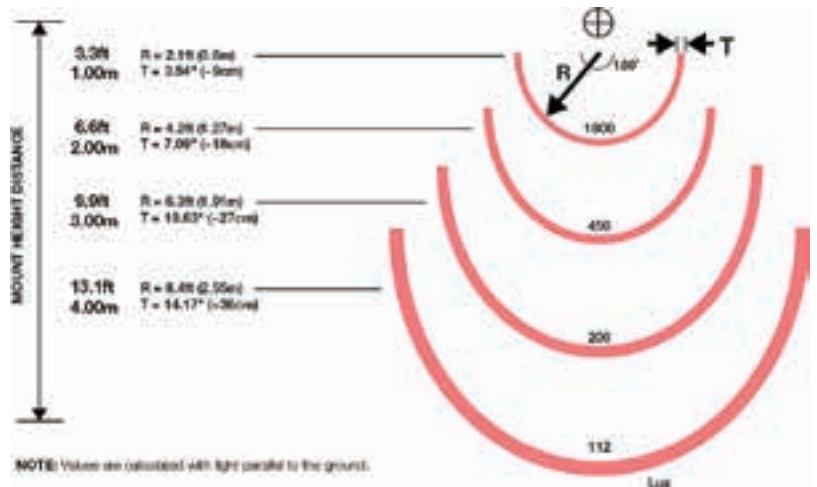
Current Draw:
1.20A @ 12VDC
0.60A @ 24V DC
0.40A @ 36V DC
0.30A @ 48V DC
0.24A @ 60V DC
0.20A @ 72V DC

Application & Standards:



PART # DESCRIPTION

1403551	12-72V Red LED Arc Warning light
1403561	12-72V Blue LED Arc Warning light
1403571	12-72V Green LED Arc Warning light



PRODUCT SPECIFICATIONS

Raw Lumen Output:
1,130

Effective Lumen Output:
317

Candela Output:
3,150

Connector/Wiring:
Deutsch DT04-2P

Operating Voltage:
10-45V DC

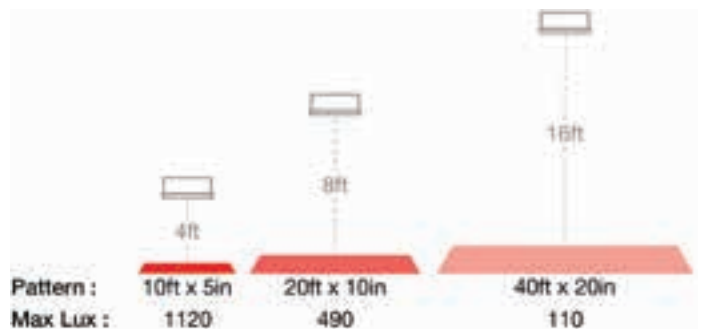
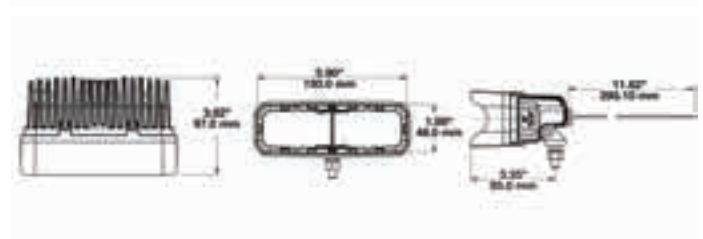
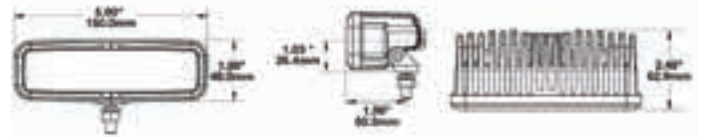
Current Draw:
1.60A @ 12V DC
0.60A @ 24V DC
0.57A @ 36V DC

Application & Standards:



PART # DESCRIPTION

1603631	12-36V LED Red Stripe Zone Light
1603641	12-36V LED Blue Stripe Zone Light
1603651	12-36V LED Amber Stripe Zone Light
1603681	12-36V LED Red Stripe Zone Light with Shroud
1603881	48-110V LED Blue Stripe Zone Light with Large Bracket
1603821	48-110V LED Blue Stripe Zone Light with Short Bracket
1603891	48-110V LED Amber Stripe Zone Light with Large Bracket
1603831	48-110V LED Amber Stripe Zone Light with Short Bracket
1603871	48-110V LED Red Stripe Zone Light with Large Bracket
1603861	48-110V LED Red Stripe Zone Light with Shroud
1603811	48-110V LED Red Stripe Zone Light with Short Bracket



MODEL 4415 WARNING LIGHT



PRODUCT SPECIFICATIONS

Effective Lumen Output:
276

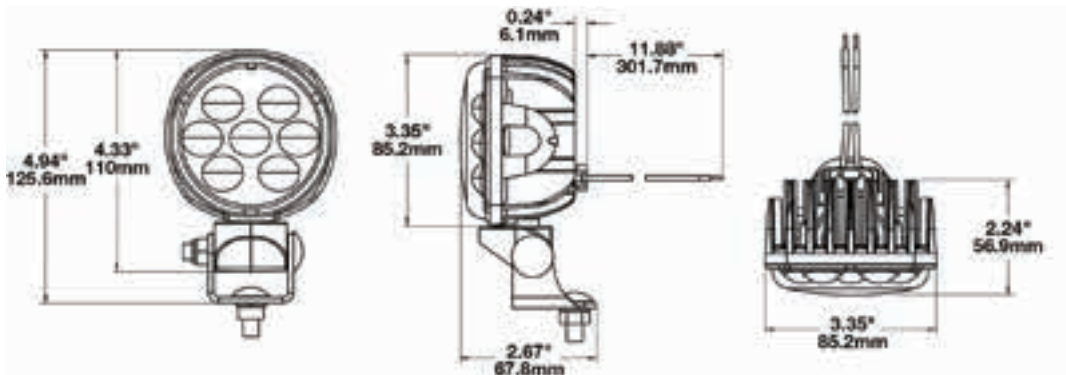
Candela Output:
9,920

Connector/Wiring:
Packard# 12084167

Operating Voltage:
10-32 V DC

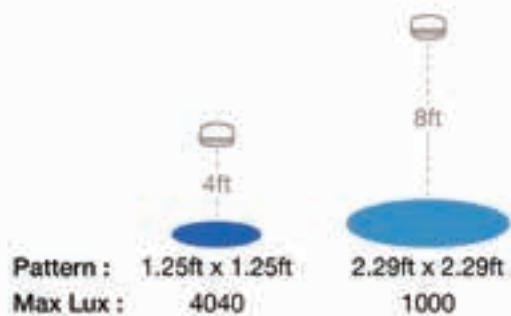
Current Draw:
2.00A @ 12V DC
1.05A @ 24V DC
0.51A @ 48V DC
0.40A @ 60V DC
0.25A @ 110V DC

Application & Standards:



PART # DESCRIPTION

0552981	12-110V LED Red Warning Light
0552991	12-110V LED Blue Warning Light



MODEL 6150 RED

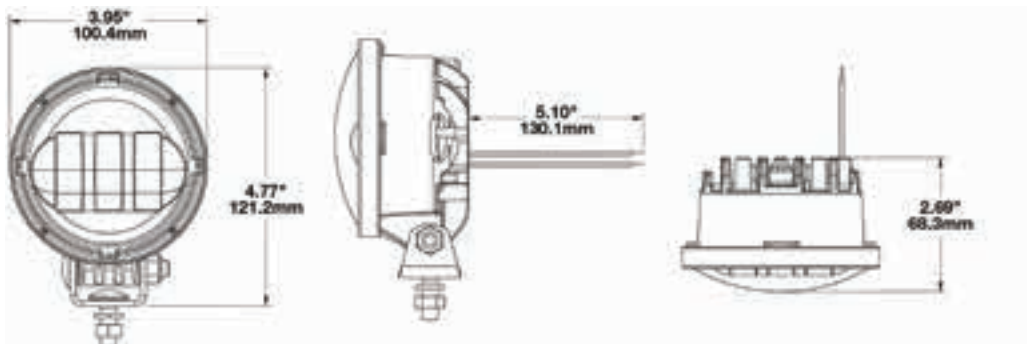
PRODUCT SPECIFICATIONS

Connector/Wiring:
5" Bare Leads

Input Voltage:
12-110V DC

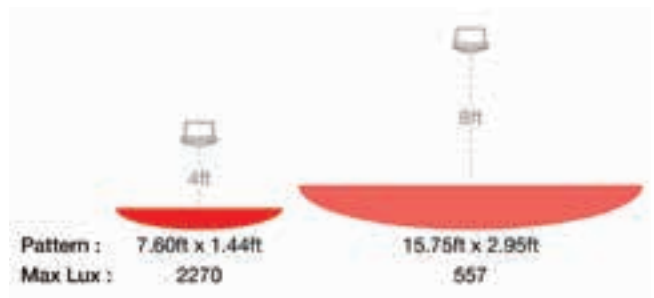
Current Draw:
1.15A @ 12V DC
0.57A @ 24V DC
0.28A @ 48V DC
0.23A @ 60V DC
0.14A @ 110V DC

Application & Standards:



PART # DESCRIPTION

0552961	12-110V LED Red Zone Light
0553561	12-110V Antiglare Zone Light



MODEL 8750



PRODUCT SPECIFICATIONS

Raw Lumen Output:
900

Effective Lumen Output:
450

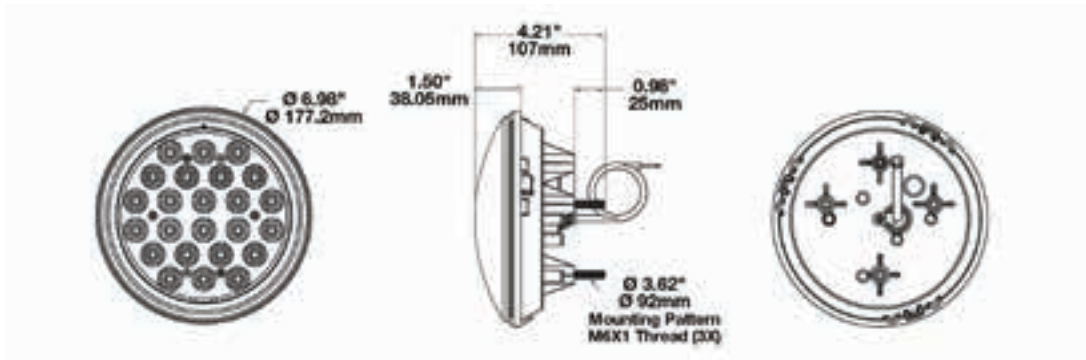
Candela Output:
3000

Connector/Wiring:
118mm Instrument Cable with Flying Leads

Input Voltage:
24 V

Current Draw:
0.80A @ 24V

Application & Standards:



PART # DESCRIPTION

0646911 24V LED Amber Arrow Warning Light

Model 146	102
Model 150	66, 94
Model 157	67
Model 170	68
Model 186	95
Model 206	70
Model 217	71
Model 220	72
Model 221	73
Model 223 & 224	74
Model 225	75
Model 234	54, 76
Model 236	77
Model 239 J2	78
Model 245	79
Model 265	80
Model 267	81
Model 270	82
Model 272	83
Model 274	55, 84
Model 274 Flash	56
Model 279	85
Model 279 J	86
Model 280, 281 & 283	87
Model 282	96
Model 284	103

INDEX

Model 406 & 407	104
Model 408	97
Model 410 & 411	98
Model 412	88, 99
Model 417	100
Model 502	15
Model 518	16
Model 523	17
Model 523 BLU	105
Model 523 Wide Flood	18
Model 526	19
Model 527	106
Model 528	20
Model 538	107
Model 539	108
Model 601	109
Model 623	21
Model 660	22
Model 670 XD	23, 57
Model 680 XD	24
Model 710	25, 110
Model 735	26
Model 736	27
Model 770 BLU & RED	111
Model 770 XD	28
Model 771 XD	29

Model 775 XD Work and Turn Light	31, 89
Model 777 Arc Light	112
Model 778 XD	32
Model 783 XD	33
Model 785	34
Model 791	35
Model 793	113
Model 832	36
Model 840 XD	37
Model 880 & 881 XD	38
Model 4415	39
Model 4415 Warning Light	114
Model 4416	40
Model 4418	41
Model 6020	42
Model 6040	43
Model 6042	90
Model 6043 Work & Tail Light	44, 91
Model 6150 RED	115
Model 7150	45
Model 7250 & 7251 XD	46
Model 8625	47
Model 8700 EVO 2 Dual Burn	58
Model 8750	116
Model 8800 Evolution 2	59
Model 8910 Evolution 2	60

INDEX

Model 9049-2M & 9049-3M	48
Model 9800	61
Model 9800 HS	62
Model 9900 LP	63
TS3001V & TS3001R	49
TS4000	50



OEM

Technology is constantly evolving. Our attitude towards design remains constant. Relentless innovation and smart partnerships make J.W. Speaker the reliable partner who invests in the design and science of vehicle lighting.

AFTERMARKET

Look good or drive safely. That's often your choice with Aftermarket lights, but J.W. Speaker does not compromise. Our engineers and designers don't cut corners. The result is power and beauty that makes you feel good about the look of your vehicle — and your safety.

