

2020

While all the efforts have been made to ensure that the information contained in this catalog is correct, Tong Yah Electronic Technology Co. Ltd. will not accept the liability for errors or omissions. Technical specifications and data are provided for guidance only. All rights are strictly reserved. Products shown in this catalog are protected by international patents, while copying this publication (in whole or in part) without written consent from Tong Yah Electronic Technology Co. Ltd. is strictly forbidden and punishable by law. Because we constantly aim to improve our products, we reserve the right to amend or alter at any time and without prior notice the specifications of any item detailed in this publication.

2020

KOSO always keeps carrying
through high quality &
excellent technics to
research new products.

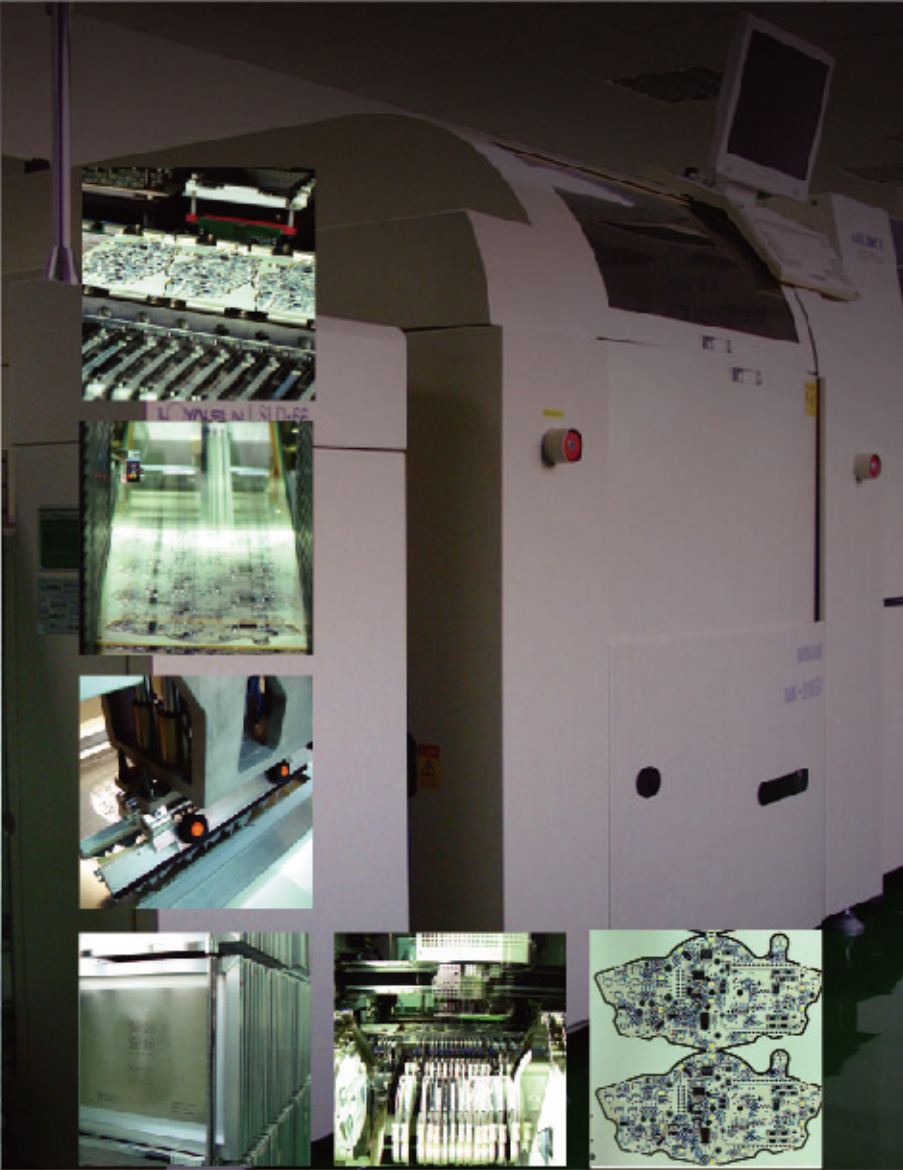
SINCE 1981



Tong Yah Electronic Technology Co., Ltd

Establishment 1981
 Staff 120
 Business activities Motorcycle & Automobile meters
 Motorcycle & Automobile electronic parts
 Scooter & motorcycle tune-up parts
 Scooter & motorcycle accessory parts

Quality certification



Index

Key to symbols

- Plug & play-Harley-Davidson** [Blue bar]
- Plug & play** [Light blue bar]
- Unlimit** [Orange bar]
- Race** [Red bar]
- Classical** [Light blue bar]
- Accessory** [Pink bar]
- Heater Grip & Light** [Yellow bar]

Key to symbols

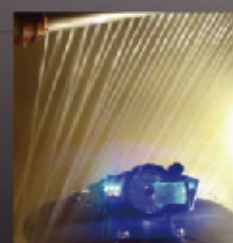
Speedometer	Oil Thermometer	Volt
Odometer	EGT	Target speed Timer
Trip meter	°C / °F	Target distance Timer
Speed Warning light	Temperature Alarm	Lap timer
Tachometer	Air / fuel ratio	JIS D 0203
Shift light	Gear meter	Back light
Hour meter	Fuel	
Water Thermometer	Clock	



Fluid-technik



Circuit-board plotter



Water spray tester



Programmable salt spray tester



Programmable temperature tester



Board plotter tester

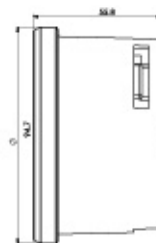


Tensility tester



3D Printer

Harley-Davidson HD-02



● Digital tachometer	Display range: 0 ~ 9990 rpm
○ Tachometer	Display range: 0 ~ 8000 rpm
	Display unit: 166 rpm
● Engine temperature	Display range: -17 ~ 123°C (0 ~ 255 °F)
● Gear meter	Display range: N, 1 ~ 6
● Supply voltage	DC 12 V
● Effective temperature range	-10 ~ +60°C
● Meter standard	JIS D 0203
● Meter size (D X H)	D94.7 X 55.8 mm
● Meter weight	
● Indicator light color	Cruise Control Light (Orange/Green) ABS Light (Yellow)

Item number	Backlight color	Display range	Coating
-------------	-----------------	---------------	---------



Blue/Red 0-8,000 Chrome Blue/Red 0-8,000 Black

HD-02R 4" Tachometer

Our plug & play 0 to 8 000 RPM meter is equipped with a 2 colors changeable LCD display. Other than providing the engine RPM, this meter will provide the gear position, cruise control and ABS indicator light. Easy to connect and install, this meter is a great addition to all Harley's FLHT, FLHX and FLTR from 2004 to 2013.



Plug & play 2020

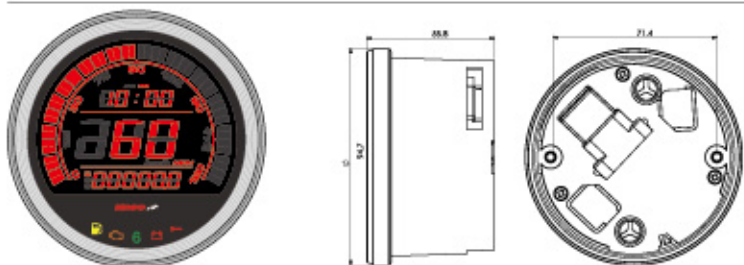
Plug & play

HD-02S 4" SPEEDOMETER

Our plug & play multi-functions speedometer is equipped with a 2 colors changeable LCD display. The instrument cover the basic functions of speed, odometer and tripmeter. It also includes a clock and all the necessary indicator lights. Easy to connect and install, this meter is a great addition to all Harley's FLHT, FLHX and FLTR from 2004 to 2013.



004 / 005



●Digital Speedometer	Display range:0 ~ 299 km/h (0 ~ 199 mph) Display unit:1 km/h (mph)
○Speedometer	Display range:0 ~ 200 km/h (0 ~ 120 mph) Display unit:About 4.2 km/h (2.5 mph)
○Odometer	Display range:000,000~999,999 km (mile) Display unit:1 km (mile)
○Trip meter A/B	Display range:0000.0 ~ 9999.9 km (mile) Display unit:0.1 km (mile)
●Clock	Display range:12 H / 24 H Accuracy +/-4 seconds / Day
●Fuel	Display range : Fu-04 / Fu-08 Hd-04 / Hd-08
●Backlight color	Setting range:Blue / Red
●Effective voltage	DC 12 V
●Effective temperature range	-10~+60 °C
●Meter standard	JIS D 0203
●Meter size (D X H)	D94.7 X 55.8 mm
●Meter weight	
●Indicator light color	Fuel light (Yellow) Engine Light (Yellow) Gear Light (Green) Volt Light (Red) Anti-Theft Light (Red)

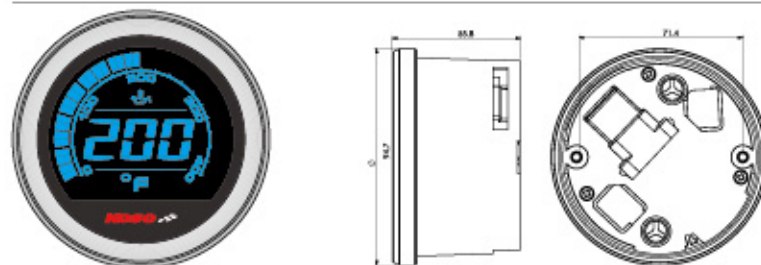
Item number
Backlight color Display range Casing



Blue/Red 0~360 km/h Chrome



Blue/Red 0~360 km/h Black



●Oil temperature	Display range : 0 ~ 400 °F Display unit : 1 °F or 1 °C
●Oil temp. warning	Setting range : 150~400 °F (70~199 °C) Setting unit : 1 °F or 1 °C
●Supply voltage	DC 12V
●Backlight setting	Setting range : Blue / Red
●Effective temperature range	-10~+60°C
●Meter standard	JIS D 0203
●Meter size (D X H)	D57.5 X 47.3 mm
●Meter weight	86 g

Item number
Backlight color Display range Casing



Blue/Red 0~400°F Chrome



Blue/Red 0~400°F Black

HD-02P 2" Oil Temperature

This plug & play oil temperature meter is equipped with a 2 color changeable LCD display. It will provide you with the oil temperature from 0 to 400 °F and is easy to connect and install. This meter is a great addition to all Harley's FLHT, FLHX and FLTR from 2004 to 2013. This meter could allow ride to replace the Ambient meter if the ambient temp. is less important by personal preference.

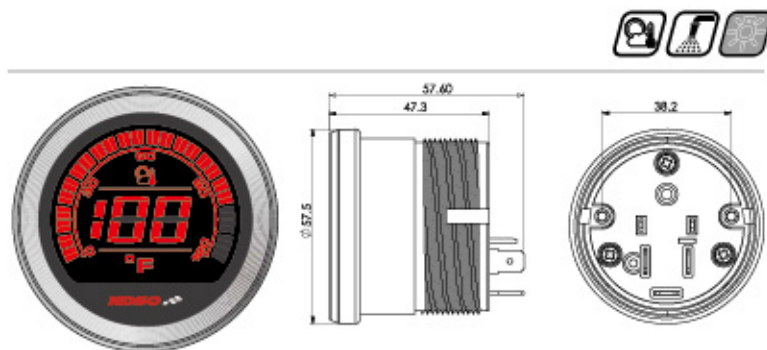


Plug & play 2020

Plug & play

HD-02T 2" Ambient Temperature

Equipped with a 2 colors changeable LCD display, this plug & play ambient temperature meter will provide you the outside temperature from 0 to 120°F. Easy to connect and install, this meter is a great addition to all Harley's FLHT, FLHX and FLTR from 2004 to 2013.



● Ambient Temperature	Display range: 0~120 °F
	Display unit: 1 °F
● Temperature alarm	Setting range: 15~65 °F
	Setting unit: 1 °F
● Supply voltage	DC 12V
● Effective temperature range	-10~+60°C
● Meter standard	
● Meter size (D X H)	D57.5 X 47.3 mm
● Meter weight	

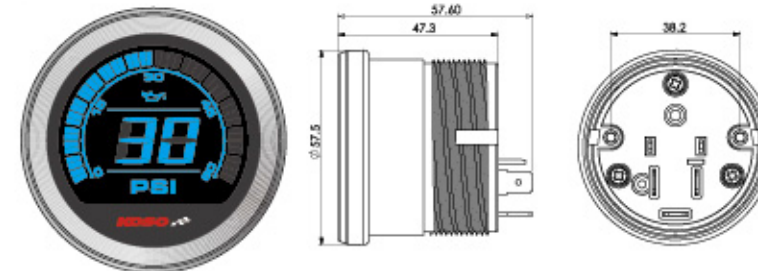


006 / 007

Item number
Backlight color Display range Casing



Blue/Red 0~120°F Chrome Blue/Red 0~120°F Black



● Oil press	Display range: 0~60 PSI
	Display unit: 1 PSI
● Oil press alarm	Setting range: 5~60 PSI
	Setting unit: 0.1 PSI
● Supply voltage	DC 12V
● Effective temperature range	-10~+60°C
● Meter standard	
● Meter size (D X H)	D57.5 X 47.3 mm
● Meter weight	

Item number
Backlight color Display range Casing



Blue/Red 0~120°F Chrome Blue/Red 0~120°F Black

HD-02P 2" Oil Pressure meter

Equipped with a 2 colors changeable LCD display, this plug & play oil pressure meter will provide the engine oil pressure from 0 to 60 PSI. Easy to connect and install, this meter is a great addition to all Harley's FLHT, FLHX and FLTR from 2004 to 2013.

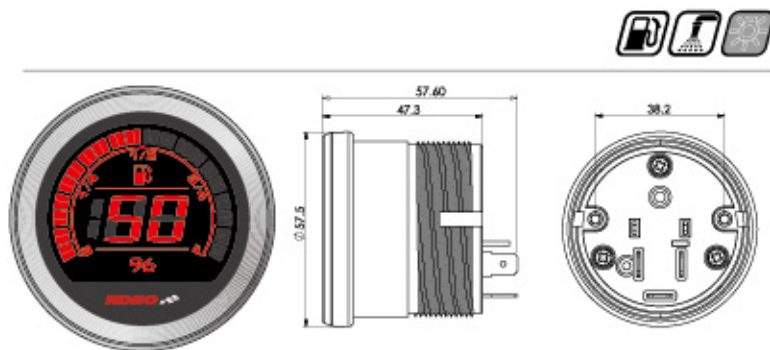


Plug & play 2020

Plug & play

HD-02F 2" Fuel meter

Equipped with a 2 colors changeable LCD display, this plug & play fuel meter will precisely display the percentage of fuel left in the tank. Easy to connect and install, this meter is a great addition to all Harley's FLHT, FLHX and FLTR from 2004 to 2013.



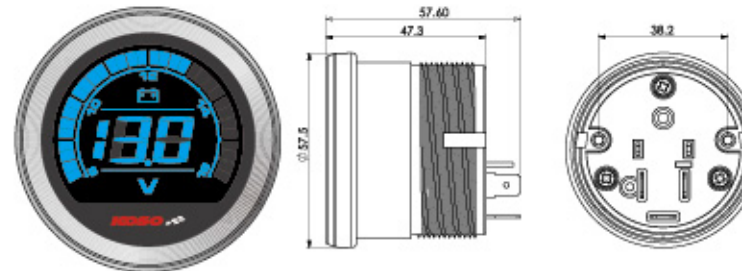
●Fuel meter	Display range:0~100%
	Display unit:1%
●Insufficient fuel warning	Setting range:0~30%
	Setting unit:1%
●Supply voltage	DC 12V
●Effective temperature range	-10~+60°C
●Effective temperature range	JIS D 0203
●Meter standard	
●Meter size (D X H)	D57.5 X 47.3 mm
●Meter weight	



Item number	Backlight color	Display range	Casing
-------------	-----------------	---------------	--------



Blue/Red 0-100% Chrome Blue/Red 0-100% Black



●Volt meter	Display range:8.0~16.0V
	Display unit:0.1V
●Volt warning	Setting range:8.0~16.0V
	Setting unit:0.1V
●Supply voltage	DC 12V
●Effective temperature range	-10~+60°C
●Meter standard	JIS D 0203
●Meter size (D X H)	D57.5 X 47.3 mm
●Meter weight	

HD-02V 2" Volt meter

Equipped with a 2 colors changeable LCD display, this plug & play volt meter will provide you the battery voltage from 8 to 16 volts DC. Easy to connect and install, this meter is a great addition to all Harley's FLHT, FLHX and FLTR from 2004 to 2013.

Item number	Backlight color	Display range	Casing
-------------	-----------------	---------------	--------



Blue/Red 8.0-16.0 V Chrome Blue/Red 8.0-16.0 V Black



Plug & play

Harley-Davidson HD-03



- Speedometer Display range : 0 ~ 299 km/h (0~199 MPH) switchable
- Overspeed warning Setting range : 30 ~ 299 km/h (19 ~ 199 MPH) when above(including) setting value, warning light will lit.
- Max. speed record Display range : 0 ~ 299 km (mile)
- Internal and external odometer Display range : 0 ~ 999,999 km (mile)
- Tire circumference Setting range : 50 ~ 210 %
- Trip meter A - B Display range : 0 ~ 9,999.9 km (mile)
- Millage maintenance Setting range : off - 500 ~ 16,000 km ~ -999 km (mile)
- Gear meter Display range : off - N - P - R - 1-6
- Tachometer Display range : 0 ~ 9,990 RPM
- RPM shift light Display range : 2,000 ~ 8,000 RPM
- Max. rotating speed Display range: 0 ~ 8,000 RPM
- Engine temperature Setting range : -40 ~ 300 °C (-40 ~ 572 °F)
- Fuel meter Setting range : HD Std - Cust
- Fuel warning setting Setting range : 1. HD Standard - LCD flashing as warning when Fuel level resistance greater than 211Ω, and will turn off when resistance smaller than 187Ω.
2. Customize - LCD flashing as warning when Fuel level lower than 20%, and will turn off when fuel level higher than 30%.
- Fuel tank volume Setting range : OFF/ 1.0 ~ 9.9 US gallons
- Average fuel consumption Setting range : OFF - L/100km - km/L - MPG - MPG
- RANGE / Remaining Mileage Display range : 0 ~ 9,999 km (6,249 mile)
- RANGE / Remaining Mileage Warning Display range : LCD shows "LO RING" and flashing as warning when RNAGE / Remaining Mileage lower than 16km (10miles).
- Clock Setting range : 12 / 24 hour format
- Oil Temp. Display range : 0 ~ 400 °F (32 ~ 248 °C)
- Voltmeter Display range : 8 ~ 18 V
- Backlight brightness Setting range : 1 - 5 (darkest) - 5 / 5 (brightest)
- Backlight color Setting range : red - blue
- Operating voltage DC 12 V
- Temperature range JIS D 0203 (S2)
- Indication light

Turn signal (Green)	Water temperature (Blue)	Turn signal (Green)
Photometric Sensing	Warning Light (Orange/Green)	Warning Light (Orange/Green)
Oil (Red)	High beam (Blue)	High beam (Blue)
Engine warning (Yellow)	Fog Light (Green)	Fog Light (Green)
Constant speed (Orange / Green)	ABS (Yellow)	ABS (Yellow)
Security (Red)	Turn signal (Green)	Turn signal (Green)



Blue 0-299 km/h Black

KOSO Harley Touring 4pcs Kit For 2014+

Our plug & play multifunction speedometer & tachometer kit is equipped with a 2 color changeable LCD display. These meters provide the basic function of speed, RPM, gear position, odometer and tripmeter. They also include a clock and all the necessary indicator lights and are easy to connect and install. These meters are a great addition to all Harley-Davidson® FLHX, FLTC and FLTR from 2014 to 2017.



Plug & play 2020

Plug & play

Harley-Davidson HD-04



NEW!



● Speedometer	Display range : 0 ~ 360 km/h (0 ~ 255 MPH) switchable Display unit: 1 km/h (MPH)
○ Display interval	< 0.5 second
○ Internal and external odometer	Display range : 0 ~ 999,999 km (mile) return to zero upon exceed Display unit : 1 km (mile)
○ Trip meter A, B	Display range : 0 ~ 9,999.9 km (mile) returns to zero upon exceed Display unit : 0.1 km (mile)
○ Tire circumference	Setting range : 50 ~ 210 % Setting unit : 1 %
● Gear meter	Display range : off, highest gear, N and highest gear, show all (N / 1 ~ 6)
● Tachometer	Display Range : 0 ~ 8,000 RPM
○ RPM shift light	Setting range : 2,000 ~ 8,000 RPM Warning lights on when exceed setting value (including). Setting unit : 100 RPM
○ Max. RPM warning mode	Setting range : F-OFF (Lit.), F-ON (blink)
● Engine temperature	Setting range : -40 ~ 300 °C (-40 ~ 572 °F)
● Fuel meter	Display range : off, original fuel kit (PN 6120008A), Sportster fuel switch, Dyna
○ Fuel tank volume	Setting range : OFF / 1.0 ~ 9.9 US gallons
○ Average fuel consumption	Display range : OFF / L/100km - km/L / MPG (US spec.) / MPG (UK spec)
● Clock	Setting range : 12 / 24 hour format
● Voltmeter	Display range : 8 ~ 18 V
● Backlight brightness	Setting range : 1 / 5 (darkest) ~ 5 / 5 (brightest)
○ Backlight color	Setting range : red, orange, yellow, green, blue, light blue, purple, white
● Mileage maintenance	Setting range : Off, 500 ~ 16,000 km (300 ~ 10,000 mile) Setting unit : 100 km (mile)
● Operating voltage	DC 12 V
● Temperature range	-10 ~ +60 °C
● Specifications	JIS D 0203 (S2)
● Meter size	D94.7 X 55.8 mm
● Meter weight	165 grams
● Indication light	RPM shift light (Red light) ● Low fuel warning light (Yellow light) ⚡ Engine check light (Yellow light) ⚠ Battery discharge light (Red light) 🔋 Security light (Red light) 🔒 Cruise light (Orange / Green light) 🏍️ ABS light (Yellow light) 🚗

HD-04 Harley Sportster Meter For 04'-13' / 2014+ Meter

You can now customize your sportster with our high-quality plug & play meter that is equipped with a 8 color changeable LCD display. Some of the great functions this meter has to offer are : speed, RPM, indicator lights, fuel level, and gear position indicator. Available in silver or black bezel.



Item number	Model	Bezel
-------------	-------	-------



BA051200	04'-13'	Silver
Negative	04'-13'	Silver
BA051201	04'-13'	Silver
Positive	04'-13'	Silver
BA051210	04'-13'	Black
Negative	04'-13'	Black
BA051211	04'-13'	Black
Positive	04'-13'	Black

Fits XL-883 & XL-1200
2004 to 2013 & Dyna 2004-2011

BA051220	2014+	Silver
Negative	2014+	Silver
BA051221	2014+	Silver
Positive	2014+	Silver
BA051230	2014+	Black
Negative	2014+	Black
BA051231	2014+	Black
Positive	2014+	Black

Fits XL-883 & XL-1200
2014+, Softail 2011+ & Dyna 2012+

Plug & play

Harley-Davidson HD-05



NEW!



● Speedometer	Display range : 0 ~ 360 km/h (0 ~ 225 MPH) switchable Display unit : 1 km/h (MPH)
○ Display interval	<0.5 second
○ Internal and external odometer	Display range : 0 ~ 999,999 km (miles) return to zero upon exceeding Display unit : 1 km (mile)
○ Trip meter A, B	Display range : 0 ~ 9,999.9 km (miles) returns to zero upon exceeding Display unit : 0.1 km (mile)
○ Tire circumference	Setting range : 50 ~ 210 % Setting unit : 1 %
● Gear meter	Display range : off, highest gear, N and highest gear, show all (N / 1 ~ 6)
● Tachometer	Display Range : 0 ~ 8,000 RPM
○ RPM shift light	Setting range : 2,000 ~ 8,000 RPM Warning lights on when exceed setting value (including). Setting unit : 100 RPM
○ Max. RPM warning mode	Setting range : F-OFF (Lit.), F-ON (blink)
● Engine temperature	Setting range : -40 ~ 300 °C (-40 ~ 572 °F)
● Fuel meter	Display range : off, Dyna
○ Fuel tank volume	Setting range : OFF / 1.0 ~ 9.9 US gallons
○ Average fuel consumption	Display range : OFF / L/100 km · km/L · MPG (US spec.) · MPG (UK spec.)
● Clock	Setting range : 12 / 24 hour format
● Voltmeter	Display range : 8 ~ 18 V
● Backlight brightness	Setting range : 1 / 5 (darkest) ~ 5 / 5 (brightest)
○ Backlight color	Setting range : red, orange, yellow, green, blue, light blue, purple, white
● Mileage maintenance	Setting range : Off, 500 ~ 16,000 km (300 ~ 10,000 mile) Setting unit : 100 km (miles)
● Operating voltage	DC 12 V
● Temperature range	-10 ~ +60 °C
● Specifications	JIS D 0203 (S2)
● Meter size	D117 X 45 mm
● Meter weight	208.5 grams
● Indication light	RPM shift light (Red light) ● Low fuel warning light (Amber light) ⚡ Engine check light (Amber light) ⚠ Battery discharge light (Red light) 🔋 Security light (Red light) 🔒 Cruise light (Amber / Green light) 🚦 ABS light (Amber light) 🚘

HD-05 Harley Dyna Meter For 04'-13' / 2014+ Meter

The all-new 100% plug and play HD-05 series for 4 1/2" gas tank mounted Harley-Davidson models features a tach and speedo combo with a programmable shift light with gear indicator. This gauge also features vital readings such as engine temperature and battery voltage along with average fuel economy and a complete system of indicators to monitor your bikes vital signs.



Item number	Models	Color
-------------	--------	-------



★ RA072000★	Positive	04'-13'	Silver
★ BA072001★	Negative	04'-13'	Silver
★ RA072010★	Positive	04'-13'	Black
★ BA072011★	Negative	04'-13'	Black

2004 to 2011 Dyna models
2004 to 2010 Softails models
2004 to 2013 Road King models

★ RA072100★	Positive	2014+	Silver
★ BA072101★	Negative	2014+	Silver
★ RA072110★	Positive	2014+	Black
★ BA072111★	Negative	2014+	Black

2012 to newer Dyna models
2011 to newer Softails models
2014 to newer Road King models

Plug & play

Harley-Davidson HD-06



NEW!



<input checked="" type="radio"/> Speedometer	Display range : 0 – 299 km/h (0–199 MPH) switchable Display unit : 1 km/h (MPH)
<input type="radio"/> Display interval	<0.5 second
<input type="radio"/> Overspeed warning setting	Setting range : 30 – 299 km/h (19 – 199 MPH) when above(including) setting value, warning light will lit. Setting unit : 1 km/h (MPH)
<input type="radio"/> Max. speed record	Display range : 0 – 299 km (0 – 199mile)
<input type="radio"/> Internal and external odometer	Display range : 0 – 999,999 km(mile) Display unit : 1 km(mile)
<input type="radio"/> Tire circumference	Setting range : 50 – 210 % Setting unit : 1 %
<input type="radio"/> Trip meter A - B	Display range : 0 – 9,999.9 km (mile) Display unit : 0.1 km (mile)
<input type="radio"/> Mileage maintenance	Setting range : off - 500 ~ 16,000 km (300 ~ 10,000 mile)~ -999 km (mile), decrease according to the increase in total mileage. Setting unit : 1 km (mile)
<input checked="" type="radio"/> Gear meter	Display range : off - N - P - R - 1 - 2 - 3 - 4 - 5 - 6
<input checked="" type="radio"/> Tachometer	Display range : 0 – 9,990 RPM Display unit : 10 RPM
<input type="radio"/> RPM shift light	Display range : 2,000 ~ 8,000 RPM Warning lights on when exceed setting value (including). Setting unit : 100 RPM
<input type="radio"/> Max. rotating speed	Display range : 0 ~ 8,000 RPM Display unit : 100 RPM
<input checked="" type="radio"/> Engine temperature	Setting range : -40 – 300 °C (-40 ~ 572 °F)
<input checked="" type="radio"/> Fuel meter	Setting range : HD Std / Cust
<input type="radio"/> Fuel warning setting	Setting range : 1. HD Standard - LCD flashing as warning when Fuel level resistance greater than 211Ω, and will turn off when resistance smaller than 187Ω. 2. Customize - LCD flashing as warning when Fuel level lower than 20%, and will turn off when fuel level higher than 30%.

Item number
Backlight color Display range Casing



Blue 0–299 km/h Black Red 0–299 km/h Black

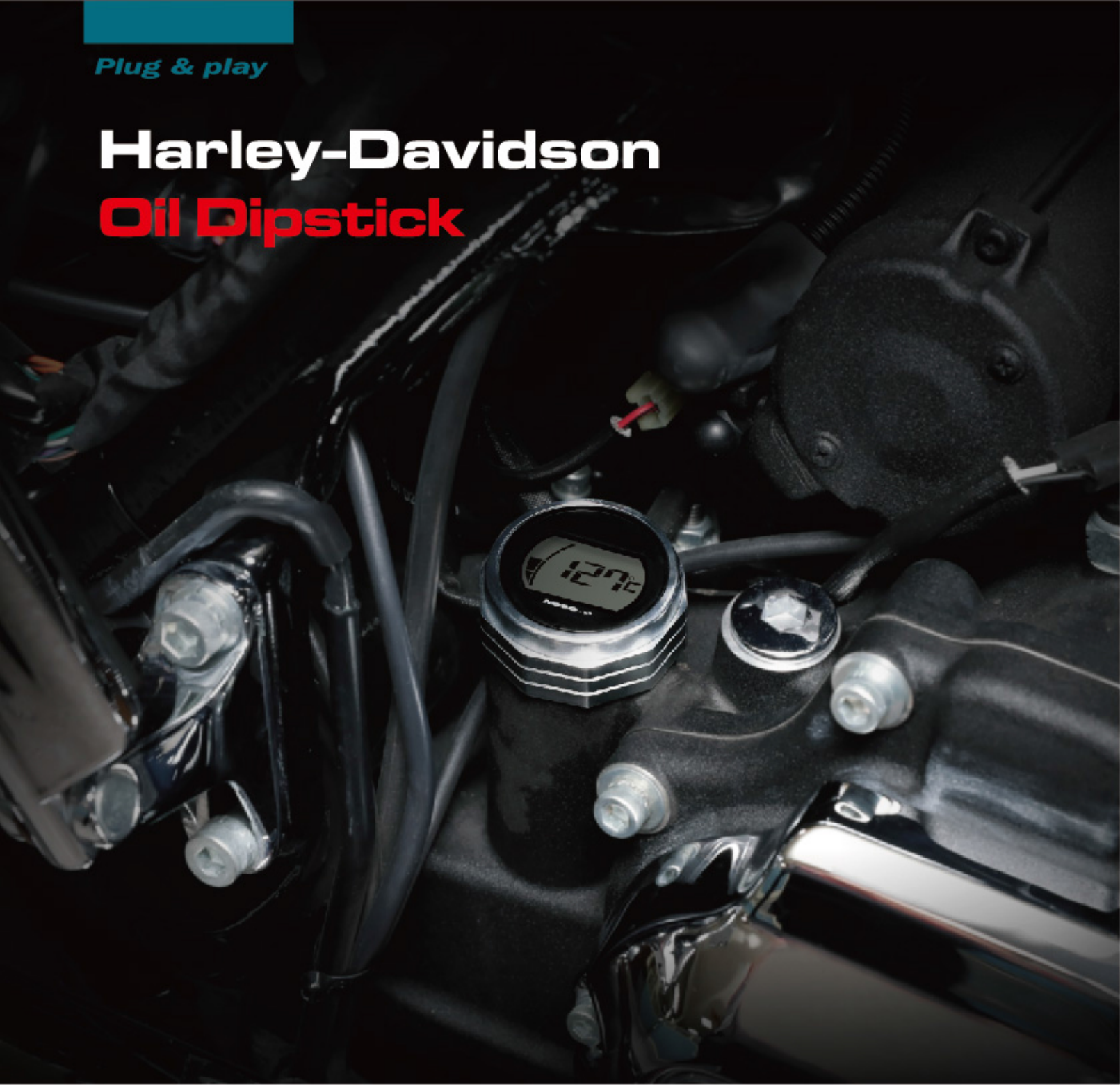
HD-06 Harley Touring LED Instrument Kit for 2014+

Our plug & play multifunction speedometer & tachometer kit is equipped with adjustable brightness LED display. These meters provide the basic function of speed, RPM, gear position, odometer and trip meter. They also include a clock and all the necessary indicator lights and are easy to connect and install. These meters are a great addition to all Harley-Davidson® FLHX, FLTC and FLTR from 2014 to 2017.

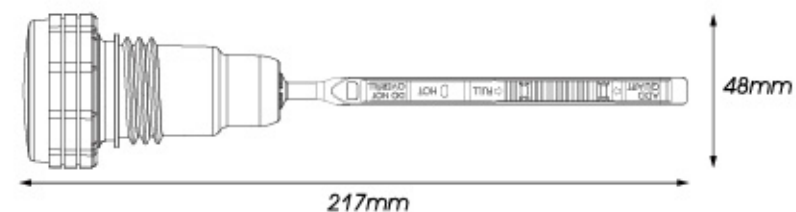
<input type="radio"/> Fuel tank volume	Setting range : OFF / 1.0 – 9.9 US gallons		
<input type="radio"/> Average fuel consumption	Setting range : OFF - L/100km - km/L - MPG (US spec.) - MPG(UK spec.)		
<input checked="" type="radio"/> RANGE / Remaining Mileage	Display range : 0 – 9,999 km (6,249 miles) Display unit : 1 km (mile)		
<input type="radio"/> RANGE / Remaining Mileage Warning	Display range : LCD shows "LO RING" and flashing as warning when RANGE / Remaining Mileage lower than 16 km (10 miles).		
<input checked="" type="radio"/> Clock	Setting range : 12 / 24 hour format		
<input checked="" type="radio"/> Oil Temp.	Display range : 0 ~ 400 °F (32 ~ 248 °C) Display unit : 1 °C (°F)		
<input type="radio"/> Max. Oil Temp. record	Display range : 0 – 400 °F (32 ~ 248 °C)		
<input checked="" type="radio"/> Air Pressure Gauge	Display range : Display — when no sensor is installed, 0 – 150 PSI Display unit : 1 PSI		
<input checked="" type="radio"/> Air Pressure Gauge Calibration	Calibration range : 0 – 25 PSI±1PSI Calibration unit : 1 PSI Default value : 0 PSI		
<input checked="" type="radio"/> Backlight brightness	Setting range : 1 / 5 (darkest) – 5 / 5 (brightest)		
<input checked="" type="radio"/> Operating voltage	DC 12 V		
<input checked="" type="radio"/> Temperature range	-10 ~ +60 °C		
<input checked="" type="radio"/> Specifications	JIS D 0203 (S2)		
<input checked="" type="radio"/> Meter Weight - Speedo & Tacho	286 grams		
<input checked="" type="radio"/> Meter Weight - Oil Temp.	81 grams		
<input checked="" type="radio"/> Meter Weight - Fuel Level	81 grams		
<input checked="" type="radio"/> Indicators			
Turn signal (Green)	Turn signal (Green)	Water temperature (Blue)	Water temperature (Blue)
Photometric Sensing	Warning Light (Orange/Green)	Warning Light (Orange/Green)	Warning Light (Orange/Green)
Oil (Red)	High beam (Blue)	High beam (Blue)	High beam (Blue)
Engine warning (Yellow)	Fog Light (Green)	Fog Light (Green)	Fog Light (Green)
Constant speed (Orange / Green)	ABS (Yellow)	ABS (Yellow)	ABS (Yellow)
Security (Red)	Turn signal (Green)	Turn signal (Green)	Turn signal (Green)

Plug & play

Harley-Davidson Oil Dipstick



NEW!



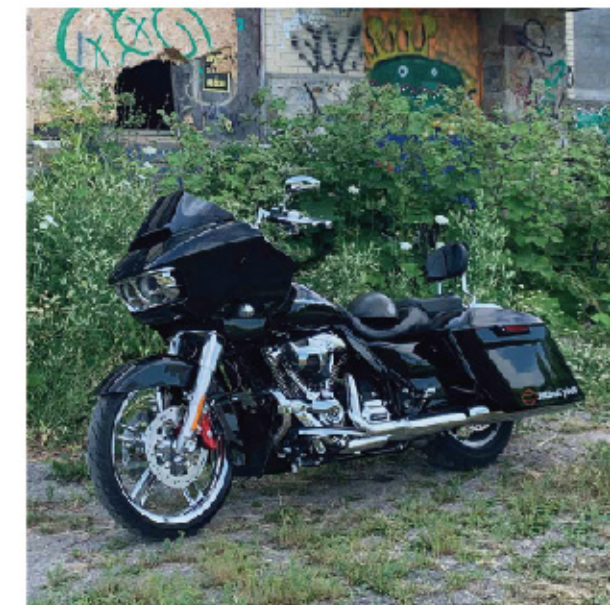
- Thermometer Display range : 0~150°C (32~302°F)
Display Unit: 1°C(°F)
- Fuel meter Display range: 1~4 level
- Low battery warning When low battery warning appears, battery replacement is needed to keep the dipstick accurate. CR2032
- Battery specification
- Meter working temperature -10~60°C
- Meter standard JIS D 0203(S2)
- Meter size 217x48 mm
- Meter weight About 273 g



Item number
Display Touring models Casing

Harley-Davidson Oil Dipstick

The Harley Davidson Oil dipstick by Koso is a fast and simple solution to verifying oil level as well as temperature. The push to power technology provides the ability to check your bike's oil vital signs on the go or at a red light with ease.



Plug & play 2020

Plug & play

KOSO YAMAHA BOLT METER

Plug & Play meter for YAMAHA BOLT 950, fully equipped with all function you need. Such as tachometer, speedometer, odometer, trip meter, shift light, fuel level, indicator lights and so on. Special design with 7 color changeable display to allow you customize your favor backlight color during your riding to maximize the fun!

This meter suitable for YAMAHA BOLT both R-spec and C-spec up to year 2016 models.



NEW!



Indicator		
● Round		●
● High beam	ⓘ	ⓘ
● Engine Check	⊕	⊕
● Turn signal	↔	↔
● Immobilizer system	⊘	⊘
● Oil	⊘	⊘
● ABS	⊘	⊘

- Speedometer**
- Speedometer : 0~360 km (0~225 mile)
 - Display unit : 1 km (mile)
- Motor oil maintenance millage**
- Display range : User settings (500 ~ 16000km / 300 ~ 10000 mile) ~ -999 km (mile) : decrease according to the increase in total millage.
 - Display unit : 1 km(mile)
- Clock**
- Display range : 12 / 24hour forment
- Engine temp.**
- Display range : -30 ~ 225 °C (-22 ~ 437 °F)
- Max. RPM**
- Display range : 0 ~ 8,000 RPM
 - Display unit : 100 RPM
- Max. temperature record**
- Display range : -30 ~ 225 °C (-22 ~ 437 °F)
- Max gear level record**
- Display range : - (No display), N, 1 ~ 5 gear level
 - Record gear level when at maximum rpm.
- Odometer**
- Display range : 000000 ~ 999999 km (mile) returns to zero upon exceed
 - Setting unit : 1 km (mile)
- Trip meter A - B**
- Display range : 0000.0 ~ 9999.9 km (mile) returns to zero upon exceed
 - Setting unit : 0.1 km (mile)
- fuel reserve tripmeter(TRIP-F)**
- Display range : 0000.0 ~ 9999.9 km (mile) returns to zero upon exceed
 - Display unit : 0.1 km (mile)

Item number	Display	Display range	Casing
-------------	---------	---------------	--------



Negative 0~360 km/h Chrome



Positive 0~360 km/h Chrome Negative 0~360 km/h Black Positive 0~360 km/h Black

- Speedometer Display range : 0 ~ 360 km (0 ~ 225 mile) Display unit : 1 km(mile)
- Overspeed warning setting Setting range : 30 ~ 360 km (19 ~ 225 mile) when above (including) setting value, warning light will lit.
- Max. speed record Display range : 0 ~ 360 km (0 ~ 225 mile) Display range : 0 ~ 999,999 km(mile)
- Speedometer Display range : 0 ~ 360 km (0 ~ 225 mile) Display unit : 1 km(mile)
- Trip meter A - B Display range : 0 ~ 9,999.9 km(mile)
- Motor oil maintenance Setting range : close · 500 ~ 16,000 km (300 ~ 10,000 mile)
- fuel reserve tripmeter Display range : 0 ~ 9999.9km(mile)
- Tire percentage Setting range : 50 ~ 200 %
- Gear meter Display range : - (No display), N, 1 ~ 5 gear level
- Display interval Display range : < 0.5 sec
- Max. gear level record Display range : - (No display), N, 1 ~ 5 gear level Record gear level when at maximum rpm
- RPM Display range : 0 ~ 8,000 RPM
- Shift light warning setting Setting range : 1,000 ~ 8,000 RPM when above (including) setting value, warning light will lit.
- Digital tachometer Display range : 0 ~ 8,000 RPM
- ABS indicator setting Setting range : Close(OFF) · Open(ON)
- Thermometer Display unit : °C, °F, switchable
- Water temperature meter Display range : -30 ~ 225 °C (-22 ~ 437 °F)
- Overheat warning setting Setting range : 60 ~ 225 °C (140 ~ 437 °F) when above(including) setting value, warning light will lit.
- Max. temperature record Display range : -30 ~ 225 °C (-22 ~ 437 °F)
- Round indicator speeding warning ligh, RPM shift light, over heat warning light, Low volt warning, Fuel warning, oil maintenance, Highest gear
- Warning cause Lit. (L), Slow flash (S), Flash (F)
- Warning method Lit. (L), Slow flash (S), Flash (F)
- Fuel meter Display range : (ON) · (OFF) · Flash
- Clock Setting range : 12 / 24 hour forment
- Under voltage warning Setting range : 8.0 ~ 18.0 V
- Back light brightness Setting range : 1 - 5 (darkest) ~ 5 - 5 (brightest)
- Back light color Setting range : red, orange, yellow, green, blue, light blue, purple, white, loop switch
- Operating voltage DC 12 V
- Operating temperature -10 + 60 °C
- Specification JIS D 0203 S2
- Meter Size 94.7 x 94.7 x 69.2 mm
- Meter Weight Around 217 g
- Indicator Round (red light), High beam (blue light), Engine Check (yellow light), Turn signal (green light), Immobilizer system indicator light (red light), Oil (red light), ABS (yellow light)



RX1N+

E-mark approval

Just the right size & shape designed for ATV & Motorcycle. With the up to 15,000 RPM tachometer & the illuminated needle, you could read the information easily even in the night.

With the MAX power test, you could check the top speed your machine could reach and the time & distance you need to reach it.

The target distance test provides you the chance to see how fast you are and how much time you need to reach at a limited distance.

The target speed test provides you the information of how much distance you need to reach the speed you set and how long it takes.

It is just like you have a DYNO on your machine for you to adjust your machine. Are you ready to join the race?



The RPM Red, Yellow shift light
 ●Setting range: 1,000~15,000 RPM.
 ●Setting unit: 100 RPM.
 ●Warning: on (F-OFF), Flash (F-ON)

Temperature warning (water & oil temperature)
 ●Setting range: 60~120°C (140~248°F).
 ●Setting unit: 1°C (°F).



Target Speed test



Target distance test



MAX record



White 0~15,000 RPM Black Blue 0~15,000 RPM Black Blue 0~15,000 RPM White

Option accessory

<p>1 Diao magnet screw</p> <p>SP14-15 X 22.5 MS 4.0 X 27.0 MS 3.0 X 10.0 MS 3.0 X 20.0 MS 4.0 X 20.0 MS 4.0 X 22.5 MS 4.0 X 27.0</p>	<p>2 Active speed sensor</p>	<p>3 Digital speed signal sensor</p> <p>JIS TYPE D</p>	<p>4 Digital speed signal sensor</p> <p>JIS TYPE A</p>
<p>5 Digital speed signal sensor</p> <p>WUMNER</p>	<p>6 Digital speed signal sensor</p> <p>WUMNER</p>	<p>7 L type speed sensor bracket</p>	<p>8 Temp sensor wire set (2 M)</p>
<p>9 Oil temp sensor adaptor</p> <p>MS 4.0 X 20.0 MS 4.0 X 22.5 MS 4.0 X 27.0 MS 3.0 X 10.0 MS 3.0 X 20.0 MS 4.0 X 20.0 MS 4.0 X 22.5</p>	<p>10 Water temp sensor adaptor</p> <p>MS 4 MS 3.0 X 10.0 MS 3.0 X 20.0</p>	<p>11 Temp sensor</p> <p>MS 4.0 X 20.0 MS 4.0 X 22.5 MS 4.0 X 27.0</p>	<p>12 Cylinder head temp sensor</p> <p>MS 4 MS 4.0 X 20.0</p>

- Speedometer Display range: 0~360 km/h (0~225 MPH)
Display unit: km/h & MPH for alternative
- Odometer Display range: 0~99999.9 km (mile), reset reset automatically after 99999.9 km (mile)
Display unit: 1 km (mile)
- Trip meter A/B Display range: 0~999.9 km (mile), reset automatically after 999.9 km (mile)
Display unit: 0.1 km (mile)
- Speeding warning light Setting range: 30~360 km/h (19~225 MPH)
Setting unit: 1 km/h (MPH)
- Top speed record Display range: 0~360 km/h (0~225 MPH)
- Tire circumference Setting range: 300~2,500 mm
Setting unit: 1 mm •Sensor point: 20
- Tachometer Display range: 15,000 RPM
Display unit: 100 RPM
- The RPM Red, Yellow shift light Setting range: 1,000~15,000 RPM
Setting unit: 100 RPM
- Warning Light on (F-OFF)
Flash (F-ON)
- MAX RPM record Display range: 0~15,000 RPM
- The RPM input signal number setting Setting range: 0.5, 1~24
- The RPM input pulse Setting range: HI (The positive wave pulse)
Lo (The negative wave pulse)
- Thermometer Display unit: °C & °F for alternative
- Digital thermometer Display range: 0~120°C (32~248°F)
(Water & oil temperature) Display unit: 0.1°C (°F)
- Level thermometer Display range: 20~110°C (68~230°F), 10 levels
(Water & oil temperature) Display unit: Each level represents 10°C (50°F)
- Over heat warning Setting range: 60~120°C (140~248°F)
(Water & oil temperature) Setting unit: 1°C (°F)
- Top temperature record Display range: 0~120°C (32~248°F)
- Fuel meter Display range: 10 levels
Display unit: Each level represents 10 %
Setting range: 100Ω, 250Ω, 510Ω, 1200Ω, SW
Setting unit: 10 %
- Insufficient fuel warning Setting range: 10~50 %
Setting unit: 10 %
- Clock 24H
- Digital Volt meter Display range: DC 8~18 V. Flashing warning when Voltage lower than 11.5 V or higher than 15.5 v
- Target speed timer Setting range: 30~360 km/h (20~220 MPH)
Setting unit: 5 km/h (MPH)
- Target distance timer Setting range: 50~1,500 M (1/32~30/32 mile)
Setting unit: 50 M (1/32 mile)
- Top speed timer The record including,
1.Speed: 0~360 km/h (0~225 MPH)
2.Distance: 0~999 M (0~3280 feet)
3.RPM: 0~15,000 RPM
4.Timer: 0~9:59.99 second.
- Effective voltage DC 12V
- Effective temperature range -10~+60°C
- Meter standard JIS D 0203 S2
- Meter size (W X L X H) 151.8 X 81.5 X 52.5 mm
- Meter weight Around 212 g
- Telltails
 ↔ Repeater (Green) N Neutral (Green)
 ↔ High beam (Blue) EOBD (Amber)
 ↔ Oil (Red) ↔ Speeding (Red)
 ● RPM shift light (Yellow / Red)



Unlimit

GP style

E-mark approval

RX2+

The RX-2 is probably one of our best seller. Its unique changeable backlight colors make's it a very popular instrument. The illuminated needle with LED pointer make's the RX-2 a very easy gauge to read even at night. This instrument features many different functions such as speed, odometer, tripmeter, RPM, shift light, temperature, indicator lights and many other cool functions. Set yourself apart with the RX-2 !



The RPM Red, Yellow shift light

- Setting range: 1,000~15,000 RPM
- Setting unit: 100 RPM
- Warning: on (F-OFF), Flash (F-ON)

The top RPM recall indicator light

- The indicator light will move according to the current RPM.
- The top RPM indicator light will show you top top RPM you reach and light on for 3 seconds.



Target speed test



Target distance test



MAX record

Item number
backlight color Display range Panel color



Blue 0~15,000 RPM Black

Option accessory



Kawasaki NINJA 250R

Model RX2



Plug & Play Kit
Kawasaki NINJA 250R

Model RX2



Plug & Play Kit
Kawasaki NINJA 250R(FI)

Model RX2

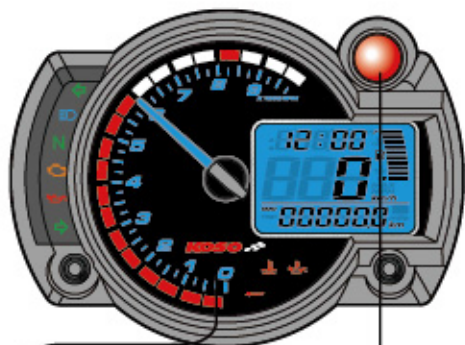
- Speedometer Display range: 0~360 km/h (0~225 MPH)
Display unit: km/h & MPH for alternative
- Odometer Display range: 0~99999.9 km (mile), reset
reset automatically after 99999.9 km (mile)
Display unit: 1 km (mile)
- Trip meter A/B Display range: 0~999.9 km (mile),
reset automatically after 999.9 km (mile)
Display unit: 0.1 km (mile)
- Speeding warning light Setting range: 30~360 km/h (19~225 MPH)
Setting unit: 1 km/h (MPH)
- Top speed record Display range: 0~360 km/h (0~225 MPH)
- Tire circumference Setting range: 300~2,500 mm
Setting unit: 1 mm • Sensor point: 20
- Tachometer Display range: 15,000 RPM
Display unit: 100 RPM
- The RPM Red, Yellow shift light Setting range: 1,000~15,000 RPM
Setting unit: 100 RPM
- Warning Light on (F-OFF)
Flash (F-ON)
- MAX RPM record Display range: 0~15,000 RPM
- The RPM input signal number setting Setting range: 0.5, 1~24
- The RPM input pulse Setting range: HI (The positive wave pulse)
Lo (The negative wave pulse)
- Thermometer Display unit: °C & °F for alternative
- Digital thermometer Display range: 0~120°C (32~248°F)
(Water & oil temperature) Display unit: 0.1°C (°F)
- Level thermometer Display range: 20~110°C (68~230°F), 10 levels
(Water & oil temperature) Display unit: Each level represents 10°C (50°F)
- Over heat warning Setting range: 60~120°C (140~248°F)
(Water & oil temperature) Setting unit: 1°C (°F)
- Top temperature record Display range: 0~120°C (32~248°F)
- Fuel meter Display range: 10 levels
Display unit: Each level represents 10 %
Setting range: 100Ω, 250Ω, 510Ω, 1200Ω, SW
- Insufficient fuel warning Setting range: 10~50 %
Setting unit: 10 %
- Clock 24H
- Digital Volt meter Display range: DC 8~18 V. Flashing warning
when Voltage lower than 11.5 V or higher than 15.5 v
- Target speed timer Setting range: 30~360 km/h (20~220 MPH)
Setting unit: 5 km/h (MPH)
- Target distance timer Setting range: 50~1,500 M (1/32~30/32 mile)
Setting unit: 50 M (1/32 mile)
- Top speed timer The record including,
1. Speed: 0~360 km/h (0~225 MPH)
2. Distance: 0~999 M (0~3280 feet)
3. RPM: 0~15,000 RPM
4. Timer: 0~959⁹⁹ second.
- Effective voltage DC 12V
- Effective temperature range -10~+60°C
- Meter standard JIS D 0203 S2
- Meter size (W X L X H) 184.75 X 105 X 49 mm
- Meter weight Around 305 g
- Telltales
N Neutral (Green) H High beam (Blue)
↔ Repeater (Green) E EOBD (Amber)
O Oil (Red) S Speeding (Red)
R RPM shift light (Yellow / Red)



RX2N+

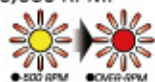
E-mark approval

The RX-2N has been developed with the best components and latest technology on the market. The illuminated needle with LED pointer make's the RX-2N a very easy gauge to read even at night. This instrument features many different functions such as speed, odometer, tripmeter, RPM, shift light, temperature, indicator lights and many other cool functions. The 10 000 rpm and 20 000 rpm version gives the opportunity to better choose the right RPM scale for your bike.



Tachometer warning light

- Setting range: 5,000–10,000 RPM. (5,000–20,000 RPM)
- Setting unit: 100 RPM.



The top RPM recall indicator light

- The indicator light will move according to the current RPM.
- The top RPM indicator light will show you top top RPM you reach and light on for 3 seconds.



Target speed test



Target distance test



MAX record

Item number
Backlight color Display range Panel color



Blue 0-10,000 RPM Black Blue 0-10,000 RPM White Blue 0-20,000 RPM Black



Blue 0-20,000 RPM White 8 color 0-20,000 RPM Black 8 color 0-10,000 RPM Black

- Speedometer Display range: 0~360 km/h (0~225 MPH)
Display unit: km/h & MPH for alternative
- Display internal <0.5 second
- Odometer Display range: 0~99999.9 km (mile),
reset automatically after 99999.9 km (mile)
Display unit: 1 km (mile)
- Trip meter A/B Display range: 0~999.9 km (mile),
reset automatically after 999.9 km (mile)
Display unit: 0.1 km (mile)
- Speeding warning light Setting range: 30~180 km/h (20~110 MPH)
Setting unit: 5 km/h (MPH)
- Top speed record Display range: 0~360 km/h (0~223 MPH)
- Tire circumference Setting range: 300~2,500 mm
Setting unit: 1 mm · Pulse setting: 1~60
- Tachometer Display range: 0~10,000 /20,000RPM
Display unit: 250 / 500 RPM
- Display internal <0.5 second
- Shift light Setting range: 5,000~10,000 / 20,000 RPM
Setting unit: 100 RPM
- MAX RPM record Display range: 0~10,000 / 20,000 RPM
- Stroke / piston setting 2 Stroke: 1, 2, 3, 4 pistons
4 Stroke: 1, 2, 3, 4, 5, 6, 8, 10, 12 pistons
- Thermometer Display unit: °C & °F for alternative
- Digital thermometer (Water & oil temperature) Display range: 0~250 °C (32~482 °F)
Display unit: 0.1°C (°F)
- Thermometer level (Water temperature) Display range: 20~120°C (68~248°F),
10 segment bar graph
Display unit: 10°C (50°F) for each segment
- Display internal <0.5 second
- Temperature alarm (Water & oil temperature) Setting range: 60~250°C (140~482°F)
Setting unit: 1°C (°F)
- Top temperature record Display range: 0~250°C (32~482°F)
- Fuel level Display range: 10 segment bar graph
- Fuel meter Display unit: 10 % for each segment
Setting range: 100Ω, 510 Ω, no display
- Insufficient fuel warning Setting range: 10~50 %
Setting unit: 10 %
- Clock 24H
- Target speed timer Setting range: 30~360 km/h (20~220 MPH)
Setting unit: 5 km/h (MPH)
- Target distance timer Setting range: 50~1,000 M (1/32~20/32 mile)
Setting unit: 50 M (1/32 mile)
- Top speed timer The record including,
1.Speed: 0~360 km/h (0~223 MPH)
2.Distance: 0~999 M (0~3,280 feet)
3.Timer: 0~9'59"99 second.
- Effective voltage DC 12V
- Effective temperature range -10~+60°C
- Meter standard JIS D 0203 S2
- Meter size (W X L X H) 135.7 X 100.7 X 52 mm
- Meter weight Around 240 g
- Telltales
 - High beam (Blue) ↔ Repeater (Green)
 - Neutral (Green) ↔ EOBD (Amber)
 - Oil (Red) ↔ Speeding (Red)
 - RPM shift light (Yellow / Red)
 - Temperature alarm (Red)
 - Temperature alarm (Red)



RX3

RX3 instrument re-define of entry-level aftermarket instrument. Newest 3.5" colorful TFT LCD display with brand new design user friendly interface make your bike upgrade not just one level higher! All the functions you need for speedometer, tachometer, odometer and trip, this instrument also include the gear position display, target distance and target speed these performance features to make your bike's information and condition become more colorful in your eyes. RX3 instrument, makes each ride become a journey of fun!



Fuel meter
 ● Display range : 6 levels
 ● Display unit : Each level represents 16.6 %
 Setting range : OFF 、 100 Ω 、 250 Ω 、 270 Ω 、 510 Ω 、 1200Ω 、 SW 、 Learning Mode

Gear meter
 ● Display Type : Gear Learning 、 OFF
 ● Display range : (Clutch Released) 、 N 、 1 ~Top Gear.The top gear is according to the gear learning.

Speedometer
 ● Display range:0 ~ 360 km/h (0 ~ 223 MPH)
 ● Display unit:km/h 、 MPH

Item number



- Speedometer Display range : 0~360 km/h (0~223MPH)
Display unit : km/h 、 MPH
- Odometer Display range : 0~99,999 km (mile), reset when exceed
Display unit : 1 km
- Adjustable Odometer Setting range : 0~99,999 km (mile) adjustable
Setting unit : 1 km
- Trip meter A/B Display range : 0~9,999.9 km (mile), can be reset
Setting unit : 0.1 km (mile)
- Maintenance Mileage Setting range : 300~5,000 km (mile),OFF
Setting unit : 100 km (mile)
- Over-Speed Warning Setting range : 30~360 km/h (20~223 MPH)
Setting unit : 1 km/h (MPH)
- MAX speed record Display range : 0~360 km/h (0~223MPH)
Display unit : 1km/h (MPH)
- Tire circumference Setting range : 300~2,500 mm
Setting unit : 1 mm
- Sensing Point Setting range : 1~20P
Setting unit : 1P
- Gear meter Display Type : Gear Learning 、 OFF
Display range : (Clutch Released) 、 N 、 1 ~Top Gear.The top gear is according to the gear learning.
- Top Gear Record (MAX) Display range : -(Clutch Released) 、 N 1 ~Top Gear. The top gear is according to the gear learning.
- Tachometer Display range : 0~15,000RPM
- Shift Light Setting range : 1000~15,000 RPM
Setting unit : 100RPM
- MAX RPM record Display range : 0~15,000RPM
When in MAX Display, the needle shown the highest RPM.
- The RPM input signal number setting 0.5 、 1.0~24.0
- The RPM input pulse Setting range : Low-Act 、 High-Act
- Digital thermometer Display range : 0~250 °C(32~482°F)
Display unit : 0.1 °C (°F)
- Over heat Warning Setting range : 60~250 °C (140~482°F)
Setting unit : 1 (°F)
- MAX thermometer record Display range : 0~250 °C(32~482°F)
- Fuel meter Display range : 6 levels
Display unit : Each level represents 16.6 %
Setting range : OFF 、 100 Ω 、 250 Ω 、 270 Ω 、 510 Ω 、 1200Ω 、 SW 、 Learning Mode

- Insufficient fuel warning Setting range : 0~3/6
Setting unit : 1
- Clock Setting range : 12 、 24H
Setting range : 00:00~23:59
- Digital Volt meter Display range : DC 8.0~18.0 V
Display unit : DC 0.1 V
- Low Voltage warning Setting range : DC 8.0~18.0 V
Setting unit : DC 0.1 V
- Background Display Setting range : AUTO(Optical Sensing) Positive 、 Negative
- Backlight brightness adjust Setting range : 1/5(Darker)~5/5(Brighter)
Setting unit : 1/5
- Backlight color Setting range : White 、 Red 、 Orange Yellow 、 Green 、 Blue 、 Light Blue 、 Purple
- Target speed timer Setting range : 30~360 km/h (20~223 MPH)
Setting unit : 5 km/h (MPH)
- Target distance timer Setting range : 50~1,000 M (1/32~20/32 mile)
Setting unit : 50 M (1/32 mile)
- Top speed timer Setting range :
1.Speed : 0~360 km/h (0~223 MPH)
2.Distance : 0~999 M (0~3,280 feet)
3.RPM : 0~15,000 RPM
4.Timer : 9:59'99
- Effective voltage DC 12 V
- Effective temperature range -10~+60°C
- Meter standard JIS D 0203 S2
- Indicator light color
 - ↔ Turn signal(Green)
 - ⬆ High beam(Blue)
 - N Neutral(Green)
 - ⚠ EOBD(Amber)
 - ⛽ Oil(Red)
 - ⚠ ABS(Yellow)
 - RPM shift light(Red)
 - ⚠ Warning Light(Red 、 OFF 、 Quick Flashing 、 Steady 、 Slow Flashing)

RXF

The all-new designed RXF comes with the most advanced TFT LCD display technology which make the meter could show more information and bring more possibility to have more functions in the meter. The meter comes with the auto-learning gear meter, so you could use the learning model to make the setting and make the meter show you the gear meter function. With the all-new displays, the power test function comes with more records which you could use to compare the bike adjustment easier. There are so many new functions comewith the RXF, what are you waiting for.



NEW !



Speedometer
 ● Display range: 0 ~ 360 km/h (0 ~ 225 MPH)
 ● Display unit: 1 km/h (MPH)

- L turn signal (orange)
- R turn signal (orange)
- High beam light (Blue)
- Neutral light (Green)
- Engine oil pressure light (Red)



Item number



●Speedometer	Display range:0 ~ 360 km/h (0 ~ 225 MPH) Display unit:1 km/h (MPH)
○Odometer	Display range:00000 ~ 99999 km (mile) Display unit:1 km (mile)
○Trip meter A/B	Display range:000.0 ~ 999.9 km (mile) Display unit:0.1 km (mile)
○Speeding warning light	Setting range: 30~360 km/h (19~225 MPH) Setting unit: 1 km/h (MPH)
○Top speed record	Display range:0 ~ 360 km/h (0 ~ 225 mph) Display unit:1 km/h (mph)
○Tire circumference	Setting range: 300~2,500 mm Setting unit: 1 mm-Sensor point: 20
●Gear meter	Display range:—(Represent no learning has been proceeded, so system cannot distinguish the gear position), N (Analog), Gear 1 - Gear 9 (Learning has been proceeded, gear position up to Gear 9 if applicable). Setting range: (No Gear Position has been recognized) —Gear 9 if applicable.)
○Accelxation	Display range: 0-2.0G for all 4 directions (Front, Rear, Right, and Left) Display unit: 0.1G
○Lean angel	Display range: 0° ~ 60° for both LH & RH side
●Tachometer	Display range: 0 ~ 10000 rpm / 12000 rpm / 15000 rpm / 18000 rpm / 20000 rpm
○Shift light	Setting range: 1,000~15,000 RPM Setting unit: 100 RPM
○Max RPM record	Display range: 0 ~ 10000 rpm / 12000 rpm / 15000 rpm / 18000 rpm / 20000 rpm Setting range: 0.5, 1~24
○The RPM input signal number setting	
●HOUR	Display range: 0~99999 H Display unit: 1H
○Hour meter A/B	Display range: 000.0 ~ 999.9 H Display unit: 0.1H
	Display unit: °C & °F for alternative
	Display range: 0.0 ~ 250.0 °C (32.0 ~ 482.0 °F)
	Display unit: 0.1 °C (°F)
	Display range: 6 levels
	Setting range: 0~120 °C (32~248 °F)
	Setting unit: 1°C (°F)
○Top temperature record	Display range: 20~60 °C (-4.0~140.0 °F)
●Fuel	Display range: 6 levels
○Insufficient fuel waring	Setting range: 10~50 % Setting unit: 10 %
●Calender	Display range: 2000 ~ 2099 Year Display range: 1 ~ 12 month Display range: 1 ~ 31 Day Display range: 1 ~ 7 (Monday - Sunday)
●Clock	Display range: 0:00~23:59 (24H)
●Digital Volt meter	Display range: DC 8.0 ~ 18.0 V
○Level Volt meter	Display unit: 0.1 V
○Low Voltage waring	Display range: DC 8.0 ~ 18.0 V Display unit: 0.1 V
●Backlight brightness adjust	Setting range:1-5(Darker)—5-5(Brighter) Setting unit: adding 20% each adjustment (5 segments)
●Target speed timer	The record including Speed: 0 ~ 360 km/h (0 ~ 225 mph) RPM: 0~Depending on Current Set of RPM Display Range Timer: 0'00'00 ~ 9'59'99
●Target distance timer	The record including Speed: 0 ~ 360 km/h (0 ~ 225 mph) RPM: 0~Depending on Current Set of RPM Display Range Timer: 0'00'00 ~ 9'59'99
●Top speed timer	The record including Speed: 0 ~ 360 km/h (0 ~ 225 mph) RPM: 0 ~ Depending on Current Set of RPM Display Range Timer: 0'00'00 ~ 9'59'99 Distance: 0 ~ 999 m (0 ~ 3280 ft)
●Supply voltage	DC 12V
●Effective temperature range	-10~+60°C
●Meter standard	JIS D 0203
●Meter size (W x L x H)	162.9 x 92.9 x 37.1 mm

Unlimit

GP style

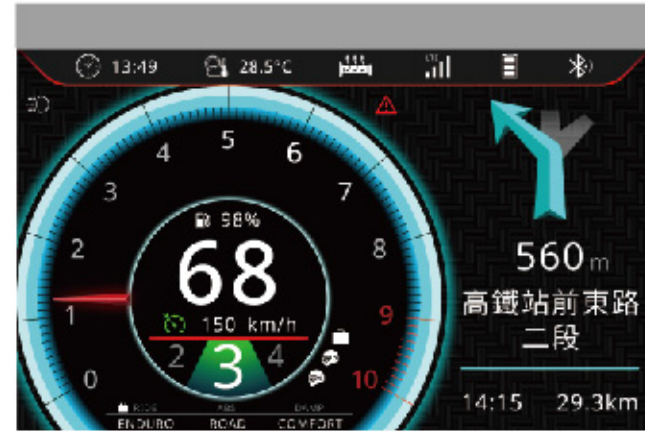
RX5

New generation meter – RX5 equip with colorful 5" TFT LCD display, Bluetooth® connectivity and extremely user friendly interface to maximize the fun you will have during the riding. The RX5 meter is designated to BMW R1200 GS from model year 2011 to 2017 plug & play. If you have this bike and want to have a new TFT meter like brand new GS model, then this is it --- your best choice! The Bluetooth® connectivity allow you to enjoy the music streaming thru your headset or hands-free and shows the name of the song that you currently listening to, not to mention the incoming call number/contact name display and the navigation directly notification. All those are included in this fantastic instrument, and wait for you to explore.



- Indicator light**
 - Side
- Fuel meter**
 - Display range : 6 level
 - Display unit : 16.6 % each segment
- Gear meter**
 - Display type: Off, Rotary Shift, Return Shift Learn
 - Display range : N, 1~9
- Speedometer**
 - Display range: 0 ~ 360 km/h (0 ~ 223 MPH)
 - Display unit: km/h · MPH

Item number	Model
-------------	-------



●GPS



●Music



●SPD · RPM · GEAR · ENG TMP ·



●Call



●Temp · Volt · Fuel

●Speedometer	Display range : 0~360 km/h (0~223MPH) Display unit : km/h、MPH
○Average speed record	Display range : 0~360 km/h (0~223MPH) Display unit : km/h、MPH
○Max speed record	Display range : 0~360 km/h (0~223MPH) Display unit : km/h、MPH
○Average speed record 1	Display range : 0~360 km/h (0~223MPH) Display unit : km/h、MPH
○Cruise Control	Display range : 30~210 km/h(18~130MPH) Display unit : km/h、MPH
○Odometer	Display range : 0~99,999 km (mile), reset when exceed. Display unit : 1 km (mile)
●Adjustable Odometer	Setting range : 0~99,999 km (mile), adjustable Setting unit : 1 km (mile)
○Trip meter 1、2	Display range : 0~9,999.9 km (mile), can be reset Setting unit : 0.1 km (mile)
○Auto Riding Time Record Trip A	Display range : 0~9,999.9 km (mile), can be reset Setting unit : 0.1 km (mile)
○Overall Hour Record	Display range : 0~99,999.9 hr, reset when exceed Display unit : 0.1 hr Dashboard hour=Start counting when key-on
○Overall Riding time record	Display range : 0~99,999.9 hr, reset when exceed. Display unit : 0.1 hr Start counting when engine start.
○Riding time 1、2	Display range : 0~9,999.9 hr, reset when exceed Display unit : 0.1 hr
○Service Date	Display range : YYYY.MM.DD Setting range : 1~24 month Setting unit : 1 months
○Service Remaining Distance	Display range : -5000~99999km (mile) Display unit : 1km (mile) Setting range : 0~99999km (mile) Setting unit : 1km (mile)
○Range	Display range : 0~999km (mile) Display unit : 1km (mile)
●Gear Meter	Display type:Off,Rotary Shift,Return Shift Learn Display range : N,1~9
○Top Gear Record	Display range : N,1~9
○Suggest to shift	Setting range : ON、OFF
●Tachometer	Display range : 0~10,000 RPM

○Shift Light	Display range : 9,000~10,000 RPM Setting range : 2,000~10,000 RPM Setting unit : 100 RPM
○MAX RPM Record	Display range : 0~10,000 RPM
○Engine Oil Level Warning	Display range : OK、CHECK
●Riding Mode	Display range : RAIN、ROAD、DYNA、 ENDURO、ENDURO PRO、DYNA PRO
○Immobilizer	Display range : CHECK、OUTRG、BATLO
●Engine Temp. (Digit)	Display range : 0.0~250 °C (32.0~482°F) Display unit : 0.1 °C (°F)
●Engine Temp. (Scale)	Display range : 6 Level Display unit : Each level represents (20 °C、125 °F)
○Engine Temp. Warning	Setting range : 60~250 °C (140~482°F) Setting unit : 1 °C (°F)
○MAX Engine Temp Record	Display range : 0~250 °C (32~482°F)
●Fuel Level (Digit)	Display range : 0~100 % Display unit : 1%
●Fuel Meter	Display range : 6 level Display unit : 16.6 % each segment
○Low fuel warning	Setting range : 10~50 % Setting unit : 10 %
○Fuel Consumption	Display range : 0~99.9 L/H、G/H Display unit : 0.1 L/H、G/H
○Fuel Efficiency	Display range : 0~99.9 L/100km、km/L、 MPG(US)、MPG(UK) Display unit : 0.1 L/100km、km/L、MPG(US)、 MPG(UK)
○1、2 Fuel Consumption Record	Display range : 0~9999.9 L、G Display unit : 0.1L、G
○Average Fuel Efficiency 1、2	Display range : 0~99.9 L/100km、km/L、 MPG(US)、MPG(UK) Display unit : 0.1 L/100km、km/L、MPG(US)、 MPG(UK)
○Date	Display range : YYYY.MM.DD
●Volt meter	Display range : DC 8.0~18.0 V Display unit : DC 0.1 V
●Volt Level	Display range : 6 Level Display unit : Each level represents (DC 1.33 V)
○Voltage Warning	Setting range : DC 8.0~18.0 V Setting unit : DC 0.1 V
●TPMS F+R	Display range : 1~50 psi (0.0~3.5 bar、 7~344kPa、0.0~3.5kg/cm2) Display unit : 1 psi (0.1 bar、1kPa、 0.1kg/cm2)

○TPMS Warning (Low / High)	Display range : Front tire pressure:LOW(red & yellow)/High(red) Warning value : 22(red)/27(yellow)/35 (red)psi Rear tire pressure:LOW(red & yellow)/High(red) Warning value : 29(red)/34(yellow)/42(red) psi
●Suspension Adjustment	Setting range : SOFT、NORMAL、HARD
●ABS Mode	Setting range : ON、OFF
●Spring Preload Mode	Setting range : One-up、One-up with luggage、Two-up with luggage)
○Heated Grips	Setting range : OFF、50%、100%
○LED Auxiliary Headlights	Display range : ON、OFF
○DRL	Display range : ON、OFF
○Automatic Low Beam	Display range : ON、OFF
○Lamp Damage Warning	Display range : LAMP R、LAMP F、LAMP S
○DWA Warning	Display range : DWALO、DWA
○RDC Warning	Display range : RDC
○ESA Warning	Display range : ESA
○Engine Electronic Warning	Display range : CHECK
○Error code warning	Display range : English + four digits Display range : -10.0~60.0°C (14.0~140.0°F) Display unit : 0.1°C (0.1°F)
●Air Temperature	Setting range : -10~+10°C (14~50°F) Display unit : 1°C (1°F)
●Black Ice Warning	Setting range : -10~+10°C (14~50°F) Setting unit : 1°C (1°F)
●CLOCK	Display range : 00:00~23:59(00:00~11:59)
●Cellular Signal	Display range : 1~4 Level
●Phone battery	Display range : 1~33%、2~3 Level (2=34~66%、2=67%~100%) Display unit : 1%、1 Level
●Bluetooth	Display range : Unconnected、Connected
○Notification (Android、IOS)	Display range : Message、Social、 Mail、Chat App
●Navigation	Display range : Turn Street Name、Estimated Arrival Time、 Estimated Distance
●Call History	Display range: 7 Recent Calls
○Call Display	Display range : Incoming Call Image、 name、number、time
●Music Streaming	Setting range : -10~+10°C (14~50°F) Setting unit : 1°C (1°F)
●Black Ice Warning	Display range : Song、Singer、Previous、Next Pause、Stop、Play, and progress strip
○Volume Adjustment +/-	Display range : 10 Level
●Effective voltage	DC 12 V
●Effective temperature range	-10~+60°C

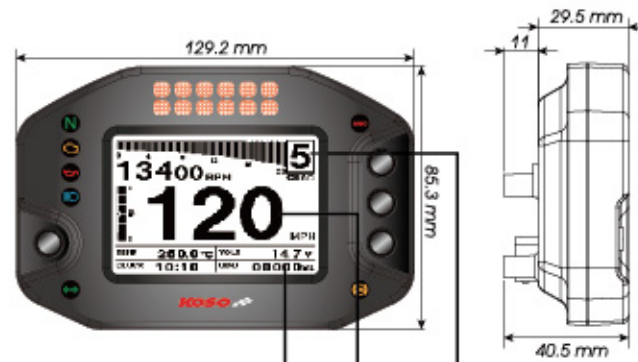
●Meter standard	JIS D 0203 S2
●Indicator light color:	
	Engine Oil Level Warning(Red)
	Neutral (Green)
	ASC / Automatic Steabilization Control(Amber)
	Turn signal(green)
	ABS(Amber)
	General Warning Light(Red、Amber)
	Immobilizer(Red)
	High Beam(Blue)
	Emissions Warning(Amber)

RS2

All new RS2 multifunction meter has completely User Interface design concept, more user friendly and easy to play with. All the functions you need for daily using, Speedometer, Tachometer, Odometer, Trip, Gear Position, Clock and even have the Dyno function to test target distance and target speed which allows you to have some fun with your bike! RS2 also has multiple backlight colors, so you could pick one you like and suit your bike better, not to mentioned the backlight dimming function also can be setup so it will adjust the backlight brightness automatically for you in the night time. This new toy will bring your fun with the bike to the next level!



NEW!



Thermometer
 ● Display unit : °C / °F Switchable
 ● Display range : 0 ~ 250 °C (32 ~ 482 °F)
 ● Display unit : 0.1 °C (°F)
A/F ratio meter
 ● Display range : 12.1 ~ 16.8
 ● Display range : 0.1
Clock
 ● Display range : 24 H
Volt
 ● Display range : DC 8.0 ~ 18.0 V
 ● Display unit : 0.1 V
Odometer
 ● Display range : 0 ~ 99,999 km (mile) return to zero upon exceed.
 ● Display unit : 1 km (mile)
Trip meter A - B
 ● Display range : 0.0 ~ 9999.9 km (mile) return to zero upon exceed.

Gear Meter
 ● Display range : N - 1~6
Speedometer
 ● Display range : 0 ~ 360 km/h (0 ~ 223 MPH)
 ● Display unit : km/h (MPH) Switchable

Item number Backlight color Display range Panel color



Backlight 0 ~ 20,000 RPM Black

● Speedometer	Display range : 0 ~ 360 km/h (0 ~ 223 MPH) Display unit : 1 km/h (MPH) for alternative
○ Display interval	< 0.5 Second
○ Odometer	Display range : 0 ~ 99,999 km/h (MPH) reset automatically after 99,999 km (MPH). Display unit : 1 km/h (MPH)
○ Trip meter A - B	Display range : 0 ~ 9999.9 km/h (MPH) reset automatically after 9999.9 km (MPH). Display unit : 0.1 km/h (MPH)
○ Speeding warning light	Setting range : 0 ~ 90 km/h (0 ~ 56 MPH) Setting unit : 1 km/h (MPH)
○ Top speed record (MAX)	Display range : 0 ~ 360 km/h (0 ~ 223 MPH) Display unit : 1 km/h (MPH)
○ Tire circumference	Display range : 300 ~ 2,500 mm Display unit : 1 mm • Sensor point : 1 ~ 60
● Gear Meter	Display range : N - 1~6 • OFF
● Digital Tachometer	Display range : 0 ~ 20,000 RPM Display unit : 100 RPM
● Level Tachometer	Display range : 0 ~ 9,000 - 12,000 - 15,000 - 18,000 - 20,000 RPM
○ RPM shift light	Setting range : 3,000 ~ 20,000 RPM
○ Max RPM record	Display range : 0 ~ 20,000 RPM
○ RPM Signal (For Fuel Injection)	Setting range : 0.5, 1 ~ 24
● Thermometer	Display range : °C & °F for alternative
○ Digital Thermometer	Display range : 0 ~ 250.0 °C (32.0 ~ 482.0 °F) Setting range : 1 °C (°F)
○ Temperature warning	Setting range : 50 ~ 250.0 °C (122.0 ~ 482.0 °F) Display unit : 1 °C (°F)
○ Top temperature (MAX)	Display range : 0 ~ 250.0 °C (32.0 ~ 482.0 °F)
● A/F ratio meter	Display range : 12.1 ~ 16.8 Display range : 0.1
● Level Fuel	Display range : 6 Level Display unit : 16.6 % each segment
○ Fuel resistance setting	Display range : 100 - 250 - 510 - 1200 - SW - Learning
○ Low Fuel warning	Setting range : 0 ~ 3/6 格 Display unit : 11/6 (At) lower than the setting value, warning FI light lit, fuel level glitter.
○ Motor oil maintenance	Setting range : 500 ~ 16,000 km (312 ~ 10,000 mile)
○ ABS indicator	Setting range : ON/OFF

● Clock	Display range : 24 H
● Digital Volt meter	Display range : DC 8.0 ~ 18.0 V Display unit : 0.1 V
● Target speed timer	Setting range : 30 ~ 360 km/h (20 ~ 223 MPH) Setting unit : 5 km (MPH)
● Target distance timer	Setting range : 50 ~ 1,500 M (1/32 ~ 30/32 MPH) Setting unit : 50 M (1/32 MPH)
● Top speed timer	The record including Speed : 0 ~ 360 km/h (0 ~ 225 MPH) Distance : 0 ~ 999 M (0 ~ 3,280 feet) RPM : 0 ~ 20,000 RPM Display Range Timer : 9 : 59'99
● Display & Backlight (Positive and Negative Display of the Main Screen)	Setting range : Time setting switchover (nighttime function is turned off when the before and after time is the same)
● Back light color	Setting range : White - Green - Light Blue - Blue - Purple - Red - Orange - Yellow
○ Liquid Crystal Concentration	Setting range : 1/3 (Darkest) ~ 3/3 (Brightest)
○ Back light brightness light	Setting range : 1/5 (Darkest) ~ 5/5 (Brightest); Separate setting for daytime and nighttime
○ Brightness (LED Bar)	Setting range : 1/5 (Darkest) ~ 5/5 (Brightest); Separate setting for daytime and nighttime
● Supply voltage	DC 12 V
● Effective temperature range	-10 ~ +60 °C
● Meter standard	JIS D 0203 (S2)
● Meter size	129.2 x 85.3 x 40.5 mm
● Meter weight	Around 151 g
● Indicator light color	Neutral (green light) N Engine (yellow light) E Motor oil (red light) O High beam light (blue light) B Indication light (green light) G IMMO (red light) IMMO ABS (yellow light) ABS

XR-01S

Thinner and lighter than its previous version the XR-SA, our innovative XR-01S most importantly feature a larger, higher quality and easy to read LCD display. The indicator light functions are still there; however we have added one more, which makes a total of 6 indicator light. New interesting functions were added and they include a 2 hour meter readings, a maintenance hour meter for oil change, 2 trip meter readings, and a useful clock. The XR-01S is simplicity at its best. This meter is user-friendly, easy to read during day or night, and is a great fit for any kind of motorcycle, scooter or other bike.



●Speedometer	Display range : 0 ~ 360 km/h (0 ~ 225 MPH) Display unit : km/h or MPH for alternative
●Odometer	Display range : 0 ~ 99,999 km (mile),reset automatically after 99,999 km (mile) · Setting unit : 1 km (mile)
●Trip meter A · B	Display range : 0 ~ 9,999.9 km (mile),reset automatically after 9,999.9 km (mile) · Display unit : 0.1 km (mile)
●Oil maintenance mileage	Setting range : 300 ~ 5,000 km (mile) Setting unit : per 100 km (mile)
●Hour meter	Display range : 99,999 hour,reset automatically after 99,999 hour · Display unit : 1 hour
●Hour meter A · B	Display range : 9,999.9 hour,reset automatically after 9,999.9 hour · Display unit : 0.1 hour
●MAX speed record	Display range : 0 ~ 360 km/h (0 ~ 225 MPH)
●Average speed record	Display range : 0 ~ 360 km/h (0 ~ 225 MPH)
●Tire circumference	Setting range : 300 ~ 2,500 mm Setting unit : 1 mm · Sensitive point : 1 ~ 6
●Fuel meter	Display range : 6 grids
●Insufficient fuel warning	Setting unit : 100 Ω · 250 Ω · 510 Ω · USER
●Clock	24 H
●Volt meter	Display range : DC 8.0 ~ 18.0 V
●Volt meter warning	Display range : Flashing warning when voltage lower than 11.5 V or higher than 15.5 V
●Effective voltage	DC 12 V
●Effective temperature range	-10 ~ +60 °C
●Meter standard	JIS D 0203 S2
●Meter size	77.5 X 74.8 X 34 mm
●Meter weight	Around 87 g
●Indicator light color	Turn signal (Green) · Neutral (Green) · Warning Light (Red) · Engine Light (Yellow) · High beam light (Blue)

Item number
Backlight color · Display range · Panel color



White · 0-360 km/h



●Speedometer	Display range : 0 ~ 360 km/h (0 ~ 225 MPH) Display unit : km/h or MPH for alternative
●Odometer	Display range : 0 ~ 99,999 km (mile),reset automatically after 99,999 km (mile) · Setting unit : 1 km (mile)
●Trip meter A · B	Display range : 0 ~ 9,999.9 km (mile),reset automatically after 9,999.9 km (mile) · Display unit : 0.1 km (mile)
●Oil maintenance mileage	Setting range : 300 ~ 5,000 km (mile) Setting unit : per 100 km (mile)
●Hour meter	Display range : 99,999 hour,reset automatically after 99,999 hour · Display unit : 1 hour
●Hour meter A · B	Display range : 9,999.9 hour,reset automatically after 9,999.9 hour · Display unit : 0.1 hour
●MAX speed record	Display range : 0 ~ 360 km/h (0 ~ 225 MPH)
●Average speed record	Display range : 0 ~ 360 km/h (0 ~ 225 MPH)
●Tire circumference	Setting range : 300 ~ 2,500 mm Setting unit : 1 mm · Sensitive point : 1 ~ 6
●Fuel meter	Display range : 6 grids
●Insufficient fuel warning	Setting unit : 100 Ω · 250 Ω · 510 Ω · USER
●Clock	24 H
●Volt meter	Display range : DC 8.0 ~ 18.0 V
●Volt meter warning	Display range : Flashing warning when voltage lower than 11.5 V or higher than 15.5 V
●Effective voltage	DC 12 V
●Effective temperature range	-10 ~ +60 °C
●Meter standard	JIS D 0203 S2
●Meter size	77.5 X 74.8 X 34 mm
●Meter weight	Around 87 g

Item number
Backlight color · Display range · Case color



White · 0-360 km/h

XR-01

Thinner and lighter than its previous version the XR-S, our innovative XR-01 most importantly features a larger, higher quality and easy to read LCD display. New interesting functions were added such as a 2 hour meter readings, a maintenance hour meter for oil change, 2 trip meter readings, and a useful clock. This meter is simple, user-friendly, and easy to read during day or night riding. The XR-01 meter is a great fit for any kind of motorcycle, scooter, ATV and more!



XR-SRN+

The XR-SR multi-functions speedometer was designed especially for motorcycles and ATV's. Its digital screen will provide important informations on your engine. The 8 indicator lights can be adapted to all motorcycles and ATV's. Its great shape and digital display will make your bike look different!



Power test record



MAX record

Tachometer
 ● Display range: 0~18,000 RPM.
 ● Display unit: 100 RPM.

Clock
 ● 24H

Level thermometer
 ● Display range: 20~120°C (68~248°F), 10 levels.
 ● Display unit: Each level represents 10°C (50°F).

Item number
 Backlight color Display range Panel color



Blue 0~18,000 RPM Black

Option accessory

<p>1 Also magnet screw</p> <p>SH-10 X 22 SL SH-10 X 22 SL SH-10 X 22 SL SH-10 X 22 SL SH-10 X 22 SL</p>	<p>2 Active speed sensor</p>	<p>3 Digital speed signal sensor</p> <p>JIS TYPE O</p>	<p>4 Digital speed signal sensor</p> <p>JIS TYPE A</p>
<p>5 Digital speed signal sensor</p> <p>SH-10 X 22 SL</p>	<p>6 Digital speed signal sensor</p> <p>X-RACE BOOSTER</p>	<p>7 Type speed sensor bracket</p>	<p>8 Temp sensor wire set (2 M)</p>
<p>9 Oil temp sensor adapter</p> <p>MT3 X PP 2.0 FRL MT3 X PP 2.0 FRL MT4 X PP 2.0 FRL MT4 X PP 2.0 FRL MT8 X PP 2.0 FRL MT8 X PP 2.0 FRL MT8 X PP 2.0 FRL</p>	<p>10 Water temp sensor adapter</p> <p>MT4 MT4/M18 MT2/M20 mm</p>	<p>11 Temp sensor</p> <p>MT3 X P1.0 MT3 X P1.0 MT4 X P1.0 MT4 X P1.0 MT4 X P1.0</p>	<p>12 Cylinder head temp sensor</p> <p>MT10 MT4 mm</p>



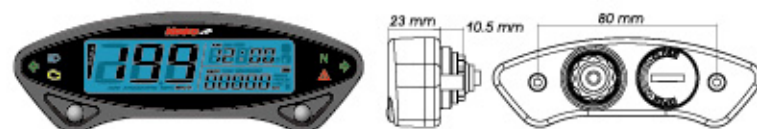
- Speedometer Display range: 0~360 km/h (0~225 MPH)
 Display unit: km/h & MPH for alternative
- Display Internal <0.5 second
- Odometer Display range: 0~99999.9 km (mile),
 reset automatically after 99999.9 km (mile)
 Display unit: 0.1 km (mile)
- Trip meter A/B Display range: 0~999.9 km (mile),
 reset automatically after 999.9 km (mile)
 Display unit: 0.1 km (mile)
- Top speed record Display range: 0~360 km/h (0~225 MPH)
- Tire circumference Setting range: 300~2,500 mm
 Setting unit: 1 mm • Pulse setting: 1~20
- Tachometer Display range: 0~18,000 RPM
 Display unit: 100 RPM
- Display Internal <0.5 second
- MAX RPM record Display range: 0~18,000 RPM
- The RPM input signal number setting Setting range: 0.5, 1~24
- The RPM input pulse Setting range: Hi (The positive wave pulse)
 Lo (The negative wave pulse)
- Thermometer Display unit: °C & °F for alternative
- Digital thermometer Display range: 0~120°C (32~248°F)
 Display unit: 0.1°C (°F)
- Thermometer level Display range: 20~120°C (68~230°F),
 10 segment bar graph
 Display unit: 10°C (50°F) for each segment
- Top temperature record Display range: 0~120°C (32~248°F)
- Fuel level Display range: 10 segment bar graph
 Display unit: 10% for each segment
 Setting range: 100Ω, 250Ω, 510Ω, 1200Ω, SW
- Fuel warning Setting range: 10~50% ; Setting unit: 10%
- Clock 24H
- Volt meter Display range: DC 8~18 V. Flashing warning
 when Voltage lower than 11.5 V or higher
 than 15.5 v.
- Top speed timer The record including.
 Speed : 0~360 km/h (0~225 MPH)
 Distance : 0~999 M (0~3280 feet)
 Timer : 0~9'59'99 seconds
- Effective voltage DC 12V
- Effective temperature range -10~+60°C
- Meter standard JIS D 0203 S2
- Meter size (W X L X H) 116.3 X 72.4 X 32.3 mm
- Meter weight Around 286 g
- Telltales
 - ↔ Repeater (Green)
 - ⬆ Low beam (Green)
 - ⬆ High beam (Blue)
 - N Neutral (Green)
 - ⚠ Hazard (Red light)
 - ⬆ Temperature alarm (Red)
 - ⬆ Oil (Red)



E-mark approval

EX-02S

With its modern look, this EX-02S is the perfect meter for all dual applications. Its illuminated backlight makes the instrument very easy to read even when you ride at night. The EX-02S is equipped with all basic function and more. Featuring speed, odometer, trip meter, hour meter, voltage, clock and stopwatch as well as 6 indicator lights, this meter will give you all information you need.



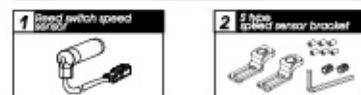
●Speedometer	Display range: 0~360 km/h (0~225 MPH) Display unit: km/h & MPH for alternative <0.5 second
○Display internal	
○Odometer	Display range: 0~99999 km (mile), reset automatically after 99999km (mile) Display unit: 1 km (mile)
○Trip meter	Display range: 0~9999.9 km (mile), reset automatically after 9999.9 km (mile) Display unit: 0.1 km (mile)
○Hour mete	Display range: 0~9999.9 hour reset automatically after 9999.9 hour Display unit: 0.1 hour
○Clock	12/24 MODE
●Volt	8~18V
●Inner Battery Level	Display range: 4 levels.
●Clock	12/24 MODE
●Supply voltage	DC 12V
●Effective temperature range	-10~+60°C
●Meter standard	JIS D 0203
●Meter size (W X L X H)	120 X 40 X 23mm
●Meter weight	
●Indicator light color	<ul style="list-style-type: none"> ⓘ High beam light (Blue) ↔ Direction light (Green) ⊙ Engine Light (Yellow) N Neutral (Green) ⚠ Warning Light (Red)

Item number
Backlight color Display range Panel color



White On road Black

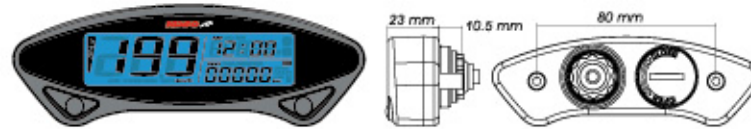
Option accessory



E-mark approval

EX-02

With its compact shape and waterproof connectors, the EX-02 is the perfect meter for all off road applications. The illuminated backlight makes the instrument very easy to read even in the darkest conditions. The EX-02 is equipped with all the basic functions such as speed, odometer, trip meter as well as hour meter, voltage, clock and stopwatch.



●Speedometer	Display range: 0~360 km/h (0~225 MPH) Display unit: km/h & MPH for alternative <0.5 second
○Display internal	
○Odometer	Display range: 0~99999 km (mile), reset automatically after 99999km (mile) Display unit: 1 km (mile)
○Trip meter	Display range: 0~9999.9 km (mile), reset automatically after 9999.9 km (mile) Display unit: 0.1 km (mile)
○Hour mete	Display range: 0~9999.9 hour reset automatically after 9999.9 hour Display unit: 0.1 hour
○Clock	12/24 MODE
●Volt	8~18V
●Inner Battery Level	Display range: 4 levels.
●Clock	12/24 MODE
●Supply voltage	DC 12V
●Effective temperature range	-10~+60°C
●Meter standard	JIS D 0203
●Meter size (W X L X H)	120 X 40 X 23mm

Item number
Backlight color Display range Panel color



White Off road Black



DB-01R+

Our DB-01R+ is an upgraded version of our popular DB-01R. Perfect for motorcycle, street fighters or dual-sports motorcycle, this meter features a large LED display which uses 3 different colors changeable backlights to make it easier to read during day or night riding. Get every information you need on this unique and lightweight meter that will enhance your motorcycle.



- Speedometer Display range: 0–360 km/h (0–224 MPH)
Display unit: km/h & MPH for alternative
- Display internal <0.5 second
- Odometer Display range: 0–99999 km (mile), reset automatically after 99999 km (mile).
Display unit: 0.1 km (mile)
- Trip meter A/B Display range: 0–999.9 km (mile), reset automatically after 999.9 km (mile).
Display unit: 0.1 km (mile)
- Tire circumference Setting range: 300–2,500 mm
Setting unit: 1 mm Sensitive point: 1–20
- Bar graph tachometer Display range: 10,000, 12,000, 15,000 RPM
Display unit: 500 RPM
- Display internal <0.5 second
- RPM input pulse Range: 0.5, 1, 1.5, 2, 2.5, 3, 4, 5, 6
- Fuel meter Display range: 6 levels
Display unit: Each level represents 16.6 %
Setting range: 100Ω, 250Ω, 510Ω, 1200Ω
- Insufficient fuel warning Display range: The fuel reserve symbol begins to flash if only 1 grids left
When Stage 0, the fuel indicator will light up
- DC 12V
- Effective voltage
- Effective temperature range -10–+60°C
- Meter standard JIS D 0203 S2
- Meter size (W X L X H) 130 X 54 X 42.5 mm
- Meter weight Around 90 g
- Telltales
N Neutral (Green) ; High beam (Blue)
↔ Direction (Green) ; Fuel (Yellow)
Oil (Red) ; EOBD (Amber)

Item number
Backlight color Display range Panel color



Blue Black



- Speedometer Display range: 0 – 360 km (0 – 225 miles)
Will blink when exceed range.
- Odometer Display range: 0 – 99,999.9 km (mile), return to zero upon exceed.
- Trip meter A - B Display range: 0 – 999.9 km (mile), return to zero upon exceed.
- Motor oil maintenance millage Display range: Metric Unit :500 (~ 8,000 km, user adjustable) ~ 999 km, automatic decrease according to the increase of total mileage.
- Maximum speed record Display range: 0 – 360 km (0 – 225 mile)
- Average speed record Recording range: 0 ~ 360km/h (0 ~ 225 MPH)
- Tire circumference Setting range: 300 ~ 2,500 mm
- Sensitive point Setting range: 1 – 20 points
- Tachometer Display range: 0 – 10,000 RPM - 0 – 12,000 RPM - 0 – 15000 RPM
- The RPM input signal number setting Setting range: P-0.5, P-1 ~ P-25
- Total hour meter Display range: 0 – 99,999.9 hour
- The RPM input pulse Setting range: lo-Act, HI-Act
- Hour meter A - B Display range: 0 – 9,999.9 hour
- Fuel level Setting range: 100Ω - 250Ω - 270Ω - 510Ω - 1200Ω - SWITCH - USER
- Staged fuel gauge Warning range: Fuel level warning stage below (including) setting value, fuel level symbol will blink.
- Digital fuel gauge Setting range: 0 – 100 %
- Low fuel warning Setting range: 10 – 50 %, when lower than (including) setting value, fuel level symbol will blink.
- Volt meter Display range: DC8.0 V – 16.0 V
- Clock format Setting range: 12-hrs format, 24-hrs format
- Internal ODO Display range: 0–99999.9 km (mile), user unadjustable.
- External ODO Setting range: 0–99999 km (mile)
- Effective voltage DC 12 V
- Effective temperature range -10 – +60 °C
- Meter standard JIS D 0203 (S2)
- Meter size / Meter weight 120 x 46 x 20 mm / Around 240 g
- Indicator light Neutral (green) Right indication light (green) Water temperature (red)
Motor oil (red) High beam light (blue) Left indication light (green)
Fuel (yellow) Engine (yellow)

Item number
Backlight color Display range Casing



White 0–360 km/h Black

DB-01RN

Our DB-01RN is a complete multifunction meter that will look perfect on your sports bike, street fighter or dual-sports motorcycle. It's large motorcycle and sleek design shape will give your motorcycle a unique look. Want something different? Set your motorcycle apart with the KOSO DB-01RN meter!



DB-02

The new DB-02 works with the inner battery is designed for the off-road bike without battery. With the new dynamic design shape, the DB-02 could fit your off-road bike or ATV well. With the changeable bar graphic tachometer function, you could adjust the bar graphic tachometer to fit different types engine as you need. Except that, the new designed 3 stage shift light could make you to make the gear shift timing perfect. Besides that, we add the digital tachometer function, so you could also switch the digital speedometer to digital tachometer when you want to use the meter on the race.



3 stages RPM shift light

- Setting range: 5,000~20,000 RPM
- Setting unit: 100 RPM



Speedometer

- Display range: 0~360 km/h (0~225 MPH)
- Display unit: km/h & MPH for alternative.

Digital Tachometer

- Display range: 20,000 RPM.
- Display unit: 10 RPM.



Speeding warning light



Temperature alarm



Max. record

Item number
Backlight color / Display range / Panel color



Attention!



White 0~20,000 RPM Black DB02 ONLY Black

Option accessory

- | | | | |
|---|--|---|---|
| 1 Disc magnet screw
M10 X P1.5 X 10
M8 X P1.0 X 10
M8 X P1.0 X 12
M8 X P1.0 X 15
M8 X P1.0 X 20
M8 X P1.0 X 25
M8 X P1.0 X 30
M8 X P1.0 X 35
M8 X P1.0 X 40
M8 X P1.0 X 45
M8 X P1.0 X 50 | 2 Type speed sensor bracket
M10 X P1.5
M12 X P1.5
M14 X P1.5
M16 X P1.5 | 3 Temp sensor wire set (2 M)
M10 X P1.5 X 10
M12 X P1.5 X 10
M14 X P1.5 X 10
M16 X P1.5 X 10 | 4 Oil temp sensor adapter
M12 X P1.5 X 10
M14 X P1.5 X 10
M16 X P1.5 X 10 |
| 5 Water temp sensor adapter
M14
M16
M18
M22, M26 mm | 6 Temp sensor
M10 X P1.5
M12 X P1.5
M14 X P1.5
M16 X P1.5 / M18 X P1.5 | 7 Cylinder head temp sensor
M14 (mm) | |



DB-02R

The new DB-02R is designed for the street bike with battery. With the elegant white Backlight, the meter display will become very clear in the night time. Same as the DB-02, the meter comes with the changeable graphic tachometer which could fit almost all kinds of engines on the market. Except the function DB-02 has, the DB-02R comes with the power test function for you to test the performance of your bike. The new added engine hour meter is designed for you to maintain the engine especially for the dirt bike or ATV.



Temperature alarm A/B

- Display range: 60~250°C (140~482°F)
- Display unit: 1°C (°F).

Volt meter

- Display range: DC 0~18.0 V
- Display unit: DC 0.1 V

Fuel meter

- Display range: 0~100%
- Setting range: 100 Ω, 510 Ω, no display

Clock

- 24 H



Target Speed timer test



Target distance timer test



Top speed test

Item number
Backlight color / Display range / Panel color



White 0~20,000 RPM Black

Option accessory

- | | | | |
|---|--|---|---|
| 1 Disc magnet screw
M10 X P1.5 X 10
M8 X P1.0 X 10
M8 X P1.0 X 12
M8 X P1.0 X 15
M8 X P1.0 X 20
M8 X P1.0 X 25
M8 X P1.0 X 30
M8 X P1.0 X 35
M8 X P1.0 X 40
M8 X P1.0 X 45
M8 X P1.0 X 50 | 2 Type speed sensor bracket
M10 X P1.5
M12 X P1.5
M14 X P1.5
M16 X P1.5 | 3 Temp sensor wire set (2 M)
M10 X P1.5 X 10
M12 X P1.5 X 10
M14 X P1.5 X 10
M16 X P1.5 X 10 | 4 Oil temp sensor adapter
M12 X P1.5 X 10
M14 X P1.5 X 10
M16 X P1.5 X 10 |
| 5 Water temp sensor adapter
M14
M16
M18
M22, M26 mm | 6 Temp sensor
M10 X P1.5
M12 X P1.5
M14 X P1.5
M16 X P1.5 / M18 X P1.5 | 7 Cylinder head temp sensor
M14 (mm) | |



Unlimit DB-02

●Speedometer	Display range: 0~360 km/h (0~225 MPH) Display unit: km/h & MPH for alternative
○Display internal	<0.5 second
○Odometer	Display range: 0~99999 km (mile), reset automatically after 0~99999 km (mile) Display unit: 1 km (mile)
○Trip meter A/B	Display range: 0~999.9 km (mile), reset automatically after 0~999.9 km (mile) Display unit: 0.1 km (mile)
○Speeding warning light	Setting range: 30~360 km/h (19~225 MPH) Setting unit: 1 km/h (MPH)
○Top speed record	Display range: 0~360 km/h (0~225 MPH)
○Tire circumference	Setting range: 300~2,500 mm Setting unit: 1 mm · Sensor point: 6
●Digital Tachometer	Display range: 20,000 RPM Display unit: 10 RPM
●Bar graph tachometer	Display range: 10,000 RPM, 60 segment bar graph Display unit: 166 RPM for each segment Display range: 15,000 RPM, 60 segment bar graph Display unit: 250 RPM for each segment Display range: 20,000 RPM, 60 segment bar graph Display unit: 333 RPM for each segment
○RPM shift light	Display range: 5,000~20,000 Display unit: 100 RPM
○Pre-shift light A/B	Display range: -500~-5,000 before the shift light Display unit: 100 RPM
○Max. RPM record	Display range: 0~20,000 RPM
○RPM input pulse	Display range: 0.5, 1, 1.5, 2, 2.5, 3, 4, 5, 6
●Hour meter	Display range: 0~999.9 H Display unit: 0.1 H (6 S)
●Thermometer	Display unit: °C & °F for alternative
●Thermometer A/B	Display range: 0~250°C (32~482°F) Display unit: 0.1°C (°F)
○Display internal	<0.5 second
○Temperature alarm A/B	Display range: 60~250°C (140~482°F) Display unit: 1°C (°F)
○Top temperature record	Display range: 0~250°C (32~482°F)
●Volt meter	Display range: DC 0~18.0 V Display unit: DC 0.1 V
●Backlight	DC 12V
●Battery type (LCD display)	CR 2032
●Battery life time	Around 220 hours nonstop
●Effective temperature range	-10~+60°C
●Meter standard	JIS D 0203 S2
●Meter size	100 X 60 X 20 mm
●Meter weight (W X L X H)	Around 200 g
●Telltails	<ul style="list-style-type: none"> ● Speeding (Red) ● Temperature alarm A/B (Red) ● RPM shift light A (Yellow) ● RPM shift light B (Orange) ● RPM Shift light (Red)

DB-02R

●Speedometer	Display range: 0~360 km/h (0~225 MPH) Display unit: km/h & MPH for alternative
○Display internal	<0.5 second
○Odometer	Display range: 0~99999 km (mile), reset automatically after 0~99999 km (mile) Display unit: 1 km (mile)
○Trip meter A/B	Display range: 0~999.9 km (mile), reset automatically after 0~999.9 km (mile) Display unit: 0.1 km (mile)
○Speeding warning light	Setting range: 30~360 km/h (19~225 MPH) Setting unit: 1 km/h (MPH)
○Top speed record	Display range: 0~360 km/h (0~225 MPH)
○Tire circumference	Setting range: 300~2,500 mm Setting unit: 1 mm · Sensor point: 20
●Digital Tachometer	Display range: 20,000 RPM Display unit: 10 RPM
●Bar graph tachometer	Display range: 10,000 RPM, 60 segment bar graph Display unit: 166 RPM for each segment Display range: 15,000 RPM, 60 segment bar graph Display unit: 250 RPM for each segment Display range: 20,000 RPM, 60 segment bar graph Display unit: 333 RPM for each segment
○RPM shift light	Display range: 5,000~20,000 Display unit: 100 RPM
○Pre-shift light A/B	Display range: -500~-5,000 before the shift light Display unit: 100 RPM
○Max. RPM record	Display range: 0~20,000 RPM
○RPM input pulse	Display range: 0.5, 1, 1.5, 2, 2.5, 3, 4, 5, 6
●Hour meter	Display range: 0~999.9 H Display unit: 0.1 H (6 S)
●Thermometer	Display unit: °C & °F for alternative
●Thermometer A/B	Display range: 0~250°C (32~482°F) Display unit: 0.1°C (°F)
○Display internal	<0.5 second
○Temperature alarm A/B	Display range: 60~250°C (140~482°F) Display unit: 1°C (°F)
○Top temperature record	Display range: 0~250°C (32~482°F)
●Fuel meter	Display range: 0~100% Setting range: 100Ω, 510Ω, no display Setting range: 10~50 % Setting unit: 10 %
○Insufficient fuel warning	Setting range: 10~50 % Setting unit: 10 %
●Volt meter	Display range: DC 0~18.0 V Display unit: DC 0.1 V
●Target speed timer	Setting range: 30~360 km/h (20~225 MPH) Setting unit: 5 km/h (MPH)
●Target distance timer	Setting range: 1/32~30/32 mile (50~1,500 M) Setting unit: 1/32 mile (50 M)
●Top speed timer	The record including, 1. Speed: 0~360 km/h (0~225 MPH) 2. Distance: 0~999 M (0~3,280 feet) 3. RPM: 0~20,000 RPM 4. Timer: 0~9'59"99 second.
●Effective voltage	DC 12V
●Effective temperature range	-10~+60°C
●Meter standard	JIS D 0203 S2
●Meter size	100 X 60 X 20 mm
●Meter weight (W X L X H)	Around 200 g
●Telltails	<ul style="list-style-type: none"> ● Speeding (Red) ● Temperature alarm A/B (Red) ● RPM shift light A (Yellow) ● RPM shift light B (Orange) ● RPM Shift light (Red)



●Effective voltage	DC 12 V
●Effective temperature range	-10~+60°C
●Meter standard	JIS D 0203 S2
●Meter size (W X L X H)	141.5 X 72.4 X 18.4 mm
●Meter weight	Around 68.5g

Item number	Backlight color	Display range	Panel color
-------------	-----------------	---------------	-------------



Black

Option accessory

Green	Black	Green	Black	Red	Black
Blue	Black	Green	Black	Yellow	Black
Red	Black	Green	Black	Red	Black
Orange	Black	Red	Black	Red	Black
Black	Black	Orange	Black	Red	Black

E-mark approval

THE PLUG-IN INDICATOR KIT FOR DB-02 & DB-02R

The indicator light kit is developed for the DB-02 & DB-02R meter for on-road use.

Unlike the indicator light kit in the market, the new indicator light kit comes with different telltale symbols, so you could assemble it according to your own demands.

There is no need to force yourself to fit some kit doesn't match your bike any more.



E-mark approval

DB-03R

The DB-03R is the perfect fit for any street bikes. Its blue backlight makes it very easy to read at night even at high speed. The integrated indicator lights do provide all the necessary information for any street use. The changeable RPM scale allows this gauge to fit about any engine applications. This instrument also features a gear indicator and shift light which will allow you to shift in the perfect gear. Beside those great functions, the DB-03R features: speed, odometer, trip meter, RPM, temperature, volt, fuel level and a lot more!



The RPM Red, Yellow shift light
 ● Setting range: 1,000~15,000 RPM
 ● Setting unit: 100 RPM
 ● Warning: Light on (F-OFF), Flash (F-ON)

Temperature warning
 ● Setting range: 60~250°C (140~482°F)
 ● Setting unit: 1°C (°F)



Temperature alarm



MAX record

Item number	Backlight color	Display range	Panel color	Item number	Backlight color	Display range	Panel color
-------------	-----------------	---------------	-------------	-------------	-----------------	---------------	-------------



Blue Universal Black Blue Honda MSX Black

Option accessory

- | | | | |
|---|---|--|---|
| <p>1 Disc magnet sensor</p> <p>Ø16-18 x 22.5L
 M8 x 10 x 2.5
 M8 x 11.5 x 2.5
 M8 x 13 x 2.5
 M8 x 14.5 x 2.5
 M8 x 16 x 2.5
 M8 x 17.5 x 2.5
 M8 x 19 x 2.5</p> | <p>2 L type speed sensor bracket</p> <p>M10 x P1.5
 M12 x P1.5
 M14 x P1.5
 M16 x P1.5
 M18 x P1.5</p> | <p>3 Temp sensor wire set (2 M)</p> <p>M10
 M14</p> | <p>4 Oil temp sensor adapter</p> <p>M12 x P1.5 x 15L
 M14 x P1.5 x 15L
 M16 x P1.5 x 15L
 M18 x P1.5 x 15L
 M20 x P1.5 x 15L</p> |
| <p>5 Water temp sensor adapter</p> <p>M14
 M15, M18
 M22, M26 mm</p> | <p>6 Temp sensor</p> <p>M10 x P1.5
 M12 x P1.5
 M14 x P1.5
 M16 x P1.5
 M18 x P1.5</p> | <p>7 Cylinder head temp sensor</p> <p>M10
 M14</p> | |

- Speedometer Display range: 0~360 km/h (0~225 MPH)
Display unit: km/h (MPH), for alternative <0.5 second
- Display internal
- Odometer Display range: 0~99999 km (mile), reset automatically after 99999 km (mile)
Display unit: 1 km (mile)
- Trip meter A/B Display range: 0~999.9 km (mile), reset automatically after 999.9 km (mile)
Display unit: 0.1 km (mile)
- Speeding warning Setting range: 30~360 km/h (19~225 MPH)
Setting unit: 1 km/h (MPH)
- Total hour meter Display range: 0~99999 H
Display unit: 1 H
- Hour meter A,B Display range: 0.0~999.9 H
Display unit: 0.1 H
- Tire circumference Setting range: 300~2,500 mm
Setting unit: 1 mm • Sensitive point: 1~20
- Tachometer Display range: 0~10,000 / 0~12,000 / 0~15,000 RPM
Display unit: 10,000 RPM-Each level represents 166 RPM, 12,000 RPM-Each level represents 200 RPM, 15,000 RPM-Each level represents 250 RPM
<0.5 second
- Display internal
- The RPM Red, Yellow shift light Setting range: 1,000~15,000 RPM
Setting unit: 100 RPM
- Warning Light on (F-OFF) / Flash (F-ON)
- MAX RPM record Display range: 0~10,000 / 0~12,000 / 0~15,000 RPM
- The RPM input signal number setting Setting range: 0.5, 1~24
- The RPM input pulse Setting range: HI (The positive wave pulse) / Lo (The negative wave pulse)
- Temperature unit Display unit: °C & °F for alternative
- Thermometer Display range: 0.0~250.0°C (32.0~482.0°F)
Display unit: 0.1°C (°F)
- Over heat warning (Water temperature) Setting range: 60~250°C (140~482°F)
Setting unit: 1°C (°F)
- Top temperature record Display range: 0~250°C (32~482°F)
- Gear meter Display range: N, 1, 2, 3, 4, 5, 6, 7, 8, 9
- Fuel meter Display unit: Each level represents 16.6 %
Setting range: 100Ω, 250Ω, 510Ω, 1200Ω, SW 24H
- Clock
- Volt meter Display range: DC 8~18 V. Flashing warning when Voltage lower than 11.5 V or higher than 15.5 v
- Backlight brightness Setting range: 1-5 (Darkest)~5-5 (Brightest)
Display unit: Each level represents 20 %
- Backlight color Setting range: blue, orange, light purple
- Effective voltage DC 12V
- Effective temperature range -10~+60°C
- Meter standard JIS D 0203 S2
- Meter size (W X L X H) 120 X 68.5 X 44.1 mm
- Meter weight Around 127.3 g
- Telltales
 - Ⓛ High beam (Blue) ⇄ Repeater (Green)
 - Ⓝ Neutral (Green) Ⓞ EOBD (Amber)
 - Ⓢ Oil (Red) Ⓢ Speeding warning (Red)
 - Ⓢ RPM shift light (Yellow / Red)
 - Ⓢ Temperature alarm (Red)



Race

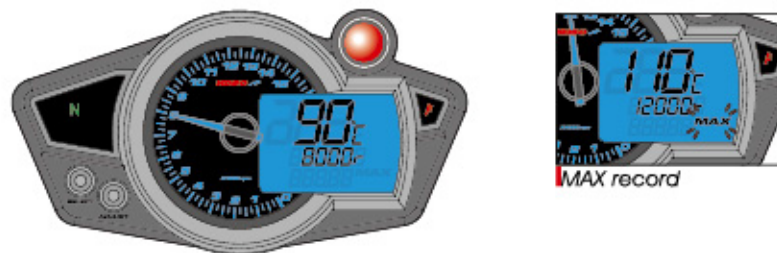
GP style

RX1NR+

Most of the tachometers designed for race is digital, and many racers really want to have a big tachometer works in needle for them to check the RPM easily during the race. Now KOSO bring you the new race RX1NR+ with the 64 mm needle tachometer driven by the stepper motor with real time respond, and a temperature meter for you to check the engine situation during the race.

With the shift light and max record function, you could get all the information you need for race.

Get the new RX1NR to monitor your engine, and enjoy the race.



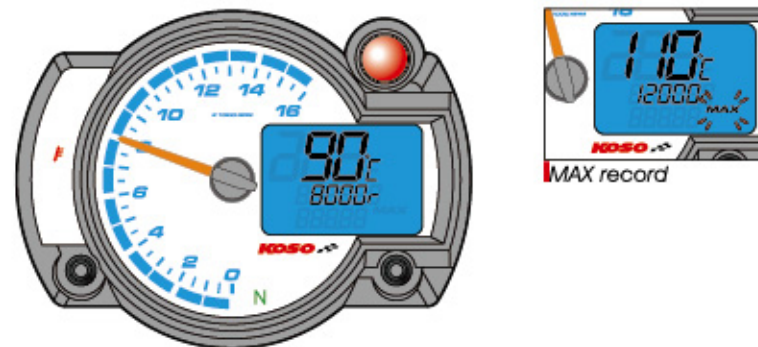
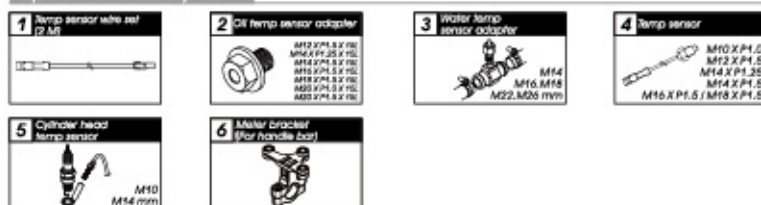
●Tachometer	Display range: 0~16,000 RPM
●Digital Tachometer	Display range: 0~16,000 RPM ; Display unit: 100 RPM
○Shift light (Red / Yellow)	Display range: 0~16,000 RPM ; Display unit: 100 RPM
○MAX RPM record	Display range: 0~16,000 RPM
○Piston setting	Setting range: 0.5, 1, 1.5, 2, 2.5, 3, 4, 5, 6
○The RPM input pulse	Setting range: Hi (The positive wave pulse) Lo (The negative wave pulse)
●Thermometer	Display range: 0~250°C (32~399°F)
○Over heat warning light	Setting range: 60~250°C (140~399°F) Setting unit: 1°C (°F)
●Backlight color	Blue
●Battery type	9V-1604, 6LR61
●Effective temperature range	-10~+60°C
●Meter standard	JIS D 0203 S2
●Meter size (W X L X H)	151.8 X 81.5 X 52.5 mm
●Meter weight	Around 212 g

Item number
Backlight color Display range Panel color



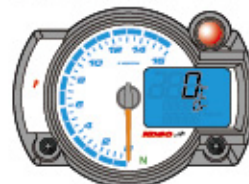
Blue 0~16,000 RPM Black

Option accessory



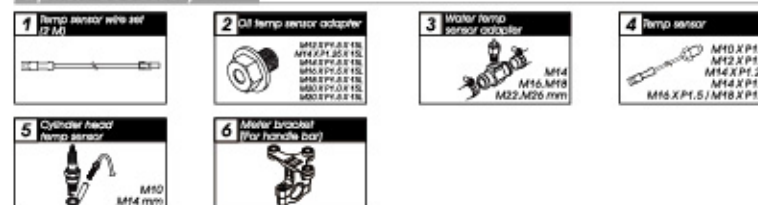
●Tachometer	Display range: 0~16,000 RPM
●Digital Tachometer	Display range: 0~16,000 RPM ; Display unit: 100 RPM
○Shift light (Red / Yellow)	Display range: 0~16,000 RPM ; Display unit: 100 RPM
○MAX RPM record	Display range: 0~16,000 RPM
○Piston setting	Setting range: 0.5, 1, 1.5, 2, 2.5, 3, 4, 5, 6
○The RPM input pulse	Setting range: Hi (The positive wave pulse) Lo (The negative wave pulse)
●Thermometer	Display range: 0~250°C (32~399°F)
○Over heat warning light	Setting range: 60~250°C (140~399°F) Setting unit: 1°C (°F)
●Backlight color	Blue
●Battery type	9V-12V
●Effective temperature range	-10~+60°C
●Meter standard	JIS D 0203 S2
●Meter size (W X L X H)	135.7 X 100.7 X 52 mm
●Meter weight	Around 240 g

Item number
Backlight color Display range Panel color



Blue 0~16,000 RPM White

Option accessory



GP style

RX2NR+

If the RX1NR+ is still too small for you need please try the RX2NR+. With the 80 mm needle tachometer driven by the stepper motor with real time respond, and a temperature meter, it will be easier for you to check the engine situation during the race. With the settable shift light and max record function, you could get all the information you need for race.

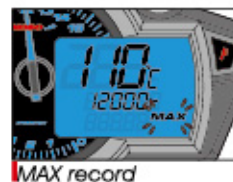
Get the new RX2NR+ to monitor your engine, and enjoy the race.

There are more and more racer practice in the night, so we heard the demand of backlight from the customers. For this reason, we make a upgraded on the RX2NR+ to make the meter comes with the backlight. In this case, it will be easier for the customer to use the meter in the night.



X-1 Boost Gauge

Today, many horsepower enthusiasts are upgrading their engine with Turbo or Supercharger. For this reason, we came up with this basic boost gauge with warning and peak functions. Made to resist cold temperature, water or dust, this gauge can be adapted to any engines with turbo or supercharger. The changeable scale from 15 to 30 psi, the warning and peak recall function makes it a great tool.



- Boost Pressure digital display Display range: 0~30 PSI, will blink to warn at overrange.
Display unit: 0.5 PSI
- Boost Pressure scale Display range: 0~15 PSI ; Display unit: 0.5 PSI
Display range: 0~30 PSI ; Display unit: 1 PSI
- Supply voltage AC/DC 12V
- Effective temperature range -10~+60°C
- Meter standard JIS D 0203 S2
- Meter size (W X L X H) 99.6 X 42 X 22.5 mm
- Meter weight Around 85 g

Item number
Backlight color Display range Panel color



Blue



- AFR Meter Display Range: 9.0-24.0, flashes when the current value exceed the set value.
- AFR Level Display Display Range: 9~21
Display Unit: 0.2
- Pressur Meter Display Range: ±0.0~30.0 PSI flashes when the current
Display Range: ±0.0~30.0 PSI flashes when the current
Display Unit: 0.5 PS
- Pressure Level Display Display Range: ± 0~15 PSI ; Display Unit: 0.5 PSI
Display Range: ± 0~30 PSI ; Display Unit: 1 PSI
- Thermometer Display Range: 0.0~250°C (32.0~482.0°F)
Display Unit: 0.1°C (°F)
- Temperature Warning Light Setting Range: 60.0~250.0°C (140.0~482.0°F)
Display Unit: 0.1°C (°F)
- Supply voltage DC 12V
- Effective temperature range -10~+60°C
- Meter standard JIS D 0203 S2
- Meter size (W X L X H) 100 X 60 X 20 mm
- Meter weight Around 200 g
- Indicators ARE (Green)
Pressure (Red)
Low AFR (Red)
High AFR (Red)
Temperature (Red)

Item number
Backlight color Display range Panel color



White

X-2 Boost Gauge

This new multi-function unit is a great tool for all horsepower enthusiasts that are upgrading their engine with Turbo or Supercharger. Following many requests, we came up with a unit that combines Boost, air fuel ratio and a temperature function who can be installed on the cooling system or the intercooler. This gauge is made to resist cold temperature, water or dust. It can be easily adapt to any engines with turbo or supercharger. The X-2 instrument will give you precious informations to help you pull out more horsepower out of the engine or save it from bad damages.



POWER TEST

This speedometer has been designed for racing only. The power test meter can provide all the information needed for drag racing. The target distance function gives the maximum speed reach for a precise distance. It can also give the best time on the 0-100 km/h (0-60 mph) acceleration. Its 20-second memory will give you all the information needed after the tests. With this power test meter you will be finally ready for racing.



Target distance timing

- Setting range: 50~1000 m (1/32~20/32 mile)
- Setting unit: 50 m (1/32 mile)
- Timing range: 0~ 9'59''99
- Record: 20 records

Speed up timing

- Start speed setting range: 0~355 km/h (0~215 MPH)
- Stop speed setting range: 30~360 km/h (20~220 MPH)
- Setting unit: 5 km/h (MPH)
- **The minimum internal setting between starting speed and stop speed is 5 km/h (MPH)**
- Timing range: 0~ 9'59''99
- Record: 20 records



Speed up timing test

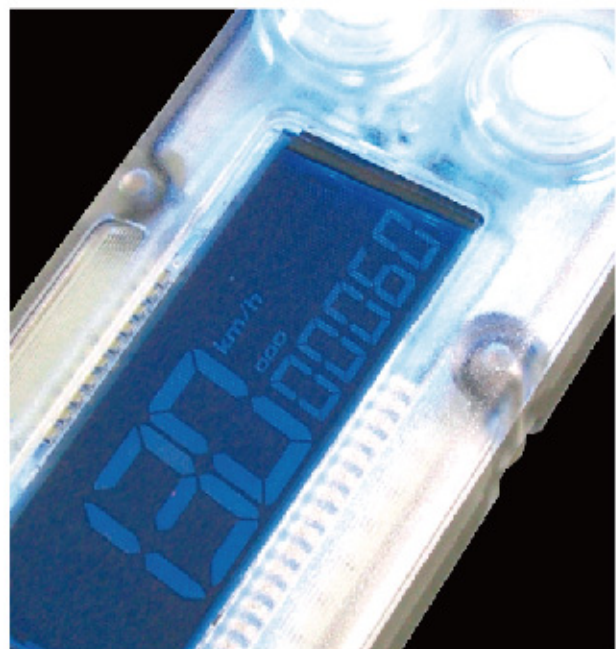


Target distance test



Top speed record

- Speedometer Display range: 0~360 km/h (0~223 MPH)
Display unit: km/h & MPH for alternative
- Display internal <0.5 second
- Odometer Display range: 0~99999.9 km (mile), reset automatically after 99999.9 km (mile)
Display unit: 0.1 km (mile)
- Trip meter A/B Display range: 0~999.9 km (mile), reset automatically after 999.9 km (mile)
Display unit: 0.1 km (mile)
- Top speed record Display range: 0~360 km/h (0~223 MPH)
- Tire circumference Setting range: 300~2,500 mm
Setting unit: 1 mm • Pulse setting: 1~60
- Speed up timing Start speed setting range: 0~355 km/h (0~215 MPH)
Stop speed setting range: 30~360 km/h (20~220 MPH)
Setting unit: 5 km/h (MPH)
The minimum internal setting between starting speed and stop speed is 5 km/h (MPH)
Timing range: 0~ 9'59''99
Record: 20 records
- Target distance timing Setting range: 50~1000 M (1/32~20/32 mile)
Setting unit: 50 M (1/32 mile)
Timing range: 0~ 9'59''99
Record: 20 records
- Supply voltage 9V-1604, 6LR61 (No Backlight) / DC 12 V
- Effective temperature range -10~+60°C
- Meter standard JIS D 0203 S2
- Meter size (W X L X H) 99.6 X 42 X 22.5 mm
- Meter weight Around 85 g



Item number
Backlight color Display range Panel color



8 A G O 4 B D 1 *
Blue

Option accessory

- 1 Disc magnet screw
S16 M3 X 22 L1
S16 M3 X 22 L2
S16 M3 X 22 L3
S16 M3 X 22 L4
S16 M3 X 22 L5
S16 M3 X 22 L6
S16 M3 X 22 L7
S16 M3 X 22 L8
- 2 Active speed sensor
- 3 L type speed sensor (cables)
- 4 Battery box kit (For using lead battery)
- 5 Meter bracket (For handle switch)
- 6 Meter bracket (For handle bar)



DUAL EGT

This nice dual exhaust temperature gauge will give you precious informations on your engine. This gauge allows to tune more precisely the engine and to make sure nothing is wrong with the motor. The settable warning for each cylinder give the opportunity to set the maximum temperature to reach at up to 2100 °F. The color change and the blinking of the screen makes it very easy to see if something is going wrong with the engine. This tool could save your engine from bad damages !

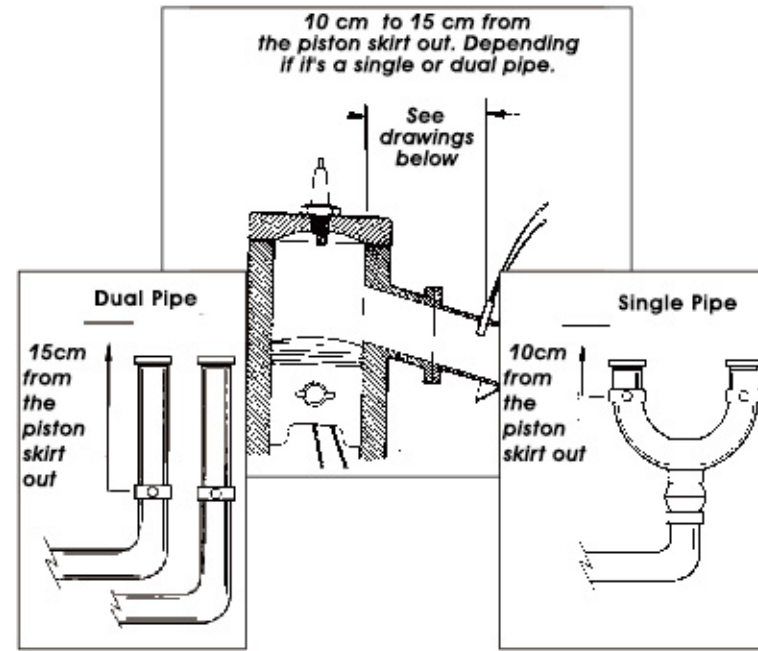


Switch °C to °F

● In main screen, press down the **Select button** to switch °C to °F.



- Temperature A/B Display range: 100~1,200°C (250~2,100°F)
Display unit: 1°C (°F)
- Temperature alarm Setting range: 200~1,000°C (392~1,832°F)
Setting unit: 1°C (°F)
- Top temperature record Display range: 100~1,200°C (250~2,100°F)
Display unit: 1°C (°F), °C & °F for alternative
<0.5 second
- Display internal
- Supply voltage DC 12 V
- Effective temperature range -10~+60°C
- Meter standard JIS D 0203 S2
- Meter size (W X L X H) 124 X 58.5 X 22 mm
- Meter weight Around 170 g



INSTRUCTIONS

The temperature indicated on your gauge is the temperature at the tip of your exhaust sensor. This temperature is different for each sleds on the market. An engine should never be tune by exhaust temperature alone. The exhaust gas temperatures are a great tuning aid but they are not the final word. The normal temperature range for most sleds will range between 593°C and 676°C depending on the engine set up. The temperature indicated should always be correlated with the piston and plug color. Generally, probe location should be between 10 cm to 15 cm from the piston skirt out. Each sled and exhaust systems manufacturer have their own specifications for probe location and running temperature. To be more precise, these manufacturing companies should be contacted for all the details needed.



Item number	Backlight color	Display range	Panel color	Item number	Backlight color	Display range	Panel color
-------------	-----------------	---------------	-------------	-------------	-----------------	---------------	-------------



Blue EGT Blue RPM / EGT

Option accessory

- 1 EGT sensor (Rear)
- 2 EGT sensor bracket (40-60 mm / 65-80 mm)
- 3 Meter bracket (for handle bar)



EGT

This nice backlit Exhaust temperature gauge will give you precious informations on your engine. It will allow you to tune more precisely your engine. Its warning could even save your engine from bad damages !



Switch °C to °F
 ● In main screen, press down the **Select button** to switch °C to °F.



- Temperature Display range: 100~1,200°C (250~2,100°F)
Display unit: 1°C (°F)
- Temperature alarm Setting range: 200~1,000°C (392~1,832°F)
Setting unit: 1°C (°F)
- Top temperature record Display range: 100~1,200°C (250~2,100°F)
Display unit: 1°C (°F), °C & °F for alternative <0.5 second
- Display Internal
- Supply voltage DC 12V
- Effective temperature range -10~+60°C
- Meter standard JIS D 0203 S2
- Meter size (W X L X H) 99.6 X 42 X 22.5 mm
- Meter weight Around 85 g

Item number	Backlight color	Display range	Panel color	Item number	Backlight color	Display range	Panel color
-------------	-----------------	---------------	-------------	-------------	-----------------	---------------	-------------



Blue Blue

Option accessory

- 1 EGT sensor (Sport)
- 2 EGT sensor (Race)
- 3 EGT sensor bracket
- 4 Meter bracket (For handle bar)
- 5 Meter bracket (For handle safety)
- 6 Meter bracket (For handle bar)



- Air / fuel ratio meter Display range: 10.0 ~ 24.0
- Over lean setting **LEAN** 14.8~24.0
- Over rich setting **RICH** 14.6~10.0
- Display internal <0.5 second
- Supply voltage DC 12V
- Effective temperature range -10~+60°C
- Meter standard JIS D 0203 S2
- Meter size (W X L X H) 99.6 X 42 X 22.5 mm
- Meter weight Around 85 g

Item number	Backlight color	Display range	Panel color
-------------	-----------------	---------------	-------------



Blue

Option accessory

- 1 Sensor adapter (For 2 stroke engine only)

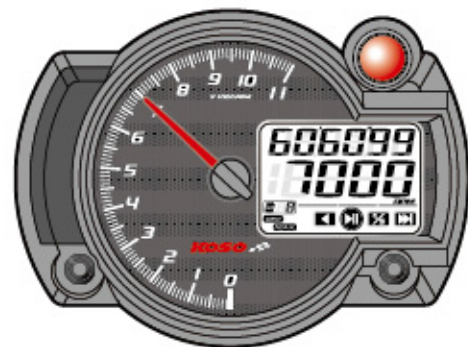
Wide Band A/F Ratio

This nice backlit Wideband Air/Fuel Ratio Gauge will give you precious informations on your engine. It will allow you to tune more precisely your engine. Its warning could even save your engine from bad damages ! Its programmable warning will tell if your engine run too lean or too rich. Work on 2 and 4 stroke engines. Require 12V DC power.



RX2NS

Our RX-2NS data logger is the perfect meter for drag and oval racers. Made from the best components and latest technology, it allows the user to playback his runs easily. The 390 minutes internal memory gives the opportunity to record up to 50 runs. Its heated screen will allow the user to play with it even under winter condition. The programmable shift light and piston setting makes it accessible to about any 2 or 4 strokes engine. This makes it a great tool to help find the right clutching or gear ratio.



●Tachometer	Display range: 0~11,000 RPM ; Display unit: 100 RPM
●Digital Tachometer	Display range: 0~11,000 RPM ; Display unit: 10 RPM
○Shift light	Setting range: 100~11,000 RPM ; Setting unit: 100 RPM
○MAX RPM record	Display range: 0~11,000 RPM
○Records	Number of records: 50 sessions
○Recording Time	Duration of recording: 99'59"99 Total duration of recording: Approx. 6.30 Hours
●Play mode	1x play/pause. 1/3x play/pause 3x play/pause. 1x rewind/pause
●Effective voltage	DC 12V
●Effective temperature range	-10~+60°C
●Meter standard	JIS D 0203 S2
●Meter size (W X L X H)	135.7 X 100.7 X 52 mm
●Meter weight	Around 240 g

Item number
Backlight color Display range Panel color



White: 0~11,000 RPM Black



●Digital air density in %	Indicating range: 50~150%, will blink to warn at over-range Indicating unit: 1%
●Air density scale in %	Indicating range: 70~130% Indicating unit: 1%
●Barometric pressure	Indicating range: hPa: 500~1150 hPa MmHg: 375.0~862.5 mmHg inHg: 14.76~33.95 inHg Indicating range: hPa: 1 hPa mmHg: 0.5 mmHg inHg: 0.1 inHg
●Air temperature	Indicating range: -20.0~80.0°C (-4.0~176.0°F), will blink to warn at over-range
●Battery remaining capacity	Indicating range: 4 - stage indication Warning range: will blink to warn the battery power is LOW
●Battery cell	CR 2032
●Unit body using temperature range	-10~+60°C (14~+140°F)
●Unit body specification	JIS D 0203 S2
●Unit body dimension	87.2 X 44.2 X 20.85 mm
●Unit body weight	82g approximately
●Warning Light	Warning light will come "ON" if the air density goes 5% higher or lower than the reference point.

Item number
Backlight color Display range Panel color



White

Air Density Meter

This is a great tool for serious engine tuners. Our air density meter allows to see if the air density has changed. It could help you determine if the jetting or fuel mapping should be adjusted. Altitude, temperature and atmospheric pressure can affect quickly the performance of the engine. Our meter will instantly tell you if the condition has change so the proper changes can be made on the engine. This is a must for performance enthusiasts since it will help get the extra horsepower out of the engine or it could even save the engine from bad damages.



Race

GP style

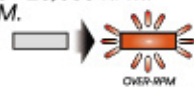
EFI Multi Meter

Following customer request, we came up with this useful optional air/fuel ratio function. This instrument has a large graph bar and RPM digits, which makes it very easy to read, even at high speed. The adjustable scale for 10 000, 15 000 or 20 000 RPM allows this meter to adapt to almost any type of engine. Other than its RPM and 2 temperature readings, this meter also features voltage and clock functions. Its programmable shift light and temperature warning lights will help you monitor your engine and make it the perfect racing tool!



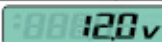
Shift light

- Setting range: 5,000~20,000 RPM.
- Setting unit: 100 RPM.



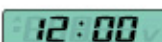
Volt meter

- Display range: DC 0~15.0 V.
- Display unit: DC 0.1V.



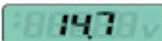
Clock

- 24H.



A/F ratio (Option)

- Displayed range: 12.1~16.8.
- Displayed unit: 0.1



Change



Change

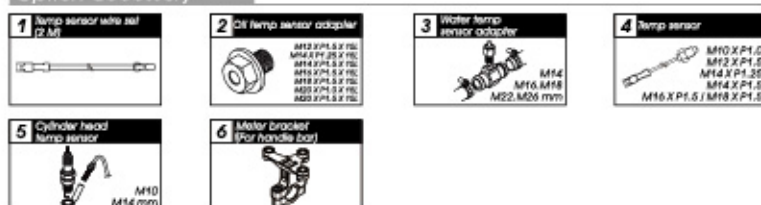


Item number
Backlight color Display range Panel color



White 0~20,000 RPM

Option accessory



● Digital Tachometer	Display range: 0~20,000 RPM Display unit: 100 RPM
● Level Tachometer	Display range: OFF - 0~10,000 - 15,000 - 20,000 RPM
○ Display Internal	<0.5 second
○ Shift light	Setting range: 5,000~20,000 RPM Setting unit: 100 RPM
○ OMAX RPM record	Display range: 0~20,000 RPM
○ Stroke / Piston	Setting range: 2 Stroke: 1.2.3.4.6 pistons 4 Stroke: 1.2.4.6.8.10.12 pistons
● Thermometer	Display unit: °C & °F for alternative
● Thermometer A/B	Display range: 0~250 °C (32~482 °F) Display unit: 0.1 °C (°F)
○ Display Internal	<0.5 second
○ Thermometer alarm	Setting range: 60~250 °C (140~482 °F) Setting unit: 1 °C (°F)
○ OMAX temperature record	Display unit: 0~250 °C (32~248 °F)
○ Air/ Fuel ratio	Display range: 12.1~16.8 Display unit: 0.1
○ Volt meter (Input power needed, can't work with CR 2032)	Display range: DC 8.0~18.0 V Display unit: DC 0.1 V
● Clock	24 H
● Effective voltage	CR 2032 (Lifetime around 2 years)
● External power	DC 12 V
● Effective temperature range	-10~+60 °C
● Meter standard	JIS D 0203 S2
● Meter size	87.5 X 42 X 20.8 mm
● Meter weight	Around 72.4 g
● Indicator light color	● RPM shift light (Red) ● Temperature A alarm (Blue) ● Temperature B alarm (Green)



GPS Lap Timer

Following the popular demand, our crew of engineers have developed a high-tech GPS lap timer to accommodate professional and amateur riders. By using the GPS technology, this lap timer will allow you to get a precise and accurate reading without having to install different beacons around the track. This instrument records up to 200 laps, as well as: speed average speed and many other great functions. Last but not least, this lap timer can also be used as a simple GPS speedometer, due to the speed and odometer functions.

Our GPS lap timer also features a Power-Test function, which allows the user to record time/distance (ex: 1/8 mile, 1/4 mile...) or speed/time (ex: 0-60mph...) This is the perfect tool, whether you are a drag racer, enduro racer or circuit racer. You can finally race like a professional with this multifunctional tool that can be used under many different conditions such as closed and open circuits. Koso's GPS lap timer is simply a must have for all racers!



Speedometer

- Display range: 0~360 km/h (0~255 MPH)
- Display range: 1 km/h (MPH)

Riding time

- Record range: 0 ~ 9,999.9 H · reset automatically after 9,999.9 H
- Record unit: 0.1 H

Top speed record

- Record range: 0~360 km/h (0~255 MPH)
- Record unit: 1 km/h (MPH)



Change



Item number
Backlight color Display range Panel color



White 0~360 km/h

● Speedometer	Display range: 0~360 km/h (0~255 MPH) Display range: 1 km/h (MPH)
○ Odometer	Display range: 0 ~ 99,999 km (mile) · reset automatically after 99,999 km (mile) Display range: 1 km/h (MPH)
○ Trip meter	Display range: 0 ~ 9,999.9 km (mile) · reset automatically after 9,999.9 km (mile) (delete average speed and run time records simultaneously) (delete average speed and run time records simultaneously) Display range: 0.1 km/h (MPH)
○ AVE Speed	Record range: 0~360 km/h (0~255 MPH) Record unit: 1 km/h (MPH)
○ Riding time	Record range: 0 ~ 9,999.9 H · reset automatically after 9,999.9 H Record unit: 0.1 H
○ Top speed record	Record range: 0~360 km/h (0~255 MPH) Record unit: 1 km/h (MPH)
● Geodetic coordinate system	WGS-84
○ Coordinate display method	Setting range: d°m's.s · d.d° · d'm.m
● Time zone	Setting range: UTC-12:00 ~ +14:00
● Calendar	Automatic Time Adjustment by GPS signal
● Clock	Setting range: 12 · 24 H Automatically set clock according to time zone selected.
● Voltage warning	Battery symbol flashes when voltage is lower than the 7.0V
● Display contrast adjustment	Setting range: 1~16 level
● Backlight brightness adjust	Setting range: 0(Close) ~ 7(Brightest). The backlight brightness will change immediately after you set the value.
○ Single recording time	Record range: 00'00'00~99'59'99
○ Number of loop record	Record range: 1~200 Laps (Maximum)
○ Time difference compares to the best time record	Display range: 00'00~99'99
○ Time difference compares to last loop	Display range: -99'99~+99'99
○ Record display method	Setting range: Sequentially · Best
○ Record displays retention time	Setting range: 5~20 second
● Target speed timer	Setting range: 30~360 km/h (20~255 MPH) Setting unit: 5 km/h (MPH)
● Target distance timer	Setting range: 1/32~30/32 mile (50~1,500 M) Setting unit: 1/32 mile (50 M)
● Closed track single loop time recording	Setting range: 0'00'00~9'59'99
● Open track single loop time recording	Setting range: 0'00'00~9'59'99
● Create track	Setting range: close, open
○ Track width	Setting range: 5~50 M Setting unit: 1 M
○ Track length	Auto-calculation after travel a loop
○ Checkpoint	Checkpoint Setting range: 0~22points (Max.)
● Effective voltage	DC 12 V
● Effective temperature range	-10 ~ +60 °C
● Meter standard	JIS D 0203 S2
● Meter size	107.7 X 61.7 X 20.5 mm
● Meter weight	Around 132.2 g



RPM Data Logger

Our digital ROM data logger is the perfect meter for drag and oval racers. It is built from the best components and latest technology, such as, an LCM screen. The internal memory lasts up to 76 minute and allows you to record up to 99 runs. Users can easily playback the data by choosing a Graph bar or Numeric display. Since it has programmable settings it is accessible to practically every 2 or 4 strokes engine. Equipped with a volt meter, adjustable backlight and adjustable resolution, this meter is the ideal tool to help set-up the right clutching or gear ratio.



Change



Change



●Tachometer	Display range : 0~20,000 RPM Display unit : 10 RPM
●The RPM input signal number setting	Setting unit : 0.5~4
●Logger function	Display range : 99 Data Maximum recordable time : Around 76 minute
●Record display	Display range : 0~20,000 RPM
●Resolution	Setting range : 16 levels Setting unit : 1(Dark)~16(Bright)
●Backlight	Setting range : 8 levels Setting unit : 0(Extinction) 、 1(Dark)~7(Bright)
●Volt	Display range : DC7~18V
●Effective temperature range	-10~60°C
●Meter standard	JIS D 0203 S2
●Meter size	107.7 X 61.7 X 20.5 mm
●Meter weight	Around 132.2g

Item number
Backlight color Display range Panel color



White 0~20,000 RPM



●Tachometer	Display range:0~20,000 RPM Display unit:100 RPM
○Display internal	<0.5 second
○Max. RPM record	Display range:0~20,000 RPM Display unit:1 RPM
○Total hour meter	Display range:99,999 (HOUR),reset automatically after 99 999 (HOUR) Display unit:1 HOUR
○Hour meter A / B	Display range:9999.9 (HOUR),reset automatically after 9999.9 (HOUR) Display unit:0.1 HOUR
○RPM input pulse	Setting range:0.5,1~6
○Warning	Setting range:5,000~20,000 RPM Setting unit:100 RPM
●Thermometer	Display unit:°C & °F for alternative
○Thermometer	Display range:0~250°C (32~482°F) Display unit 0.1°C (°F)
○MAX temperature record	Display range 0~250°C (32~482°F)
○Thermometer alarm	Setting range 60~250°C (140~482°F) Setting unit 0.1°C (°F)
●Backlight brightness	Setting range 1-5 (Darkest)~5-5 (Brightest) Setting unit Each level represents 20%
●Effective voltage	CR 2032 Lifetime around 10 mont
●Effective temperature range	-10~+60 °C
●Meter standard	JIS D 0203 S2

Item number
Backlight color Display range Panel color



White 0~360 km/h

PRO-1

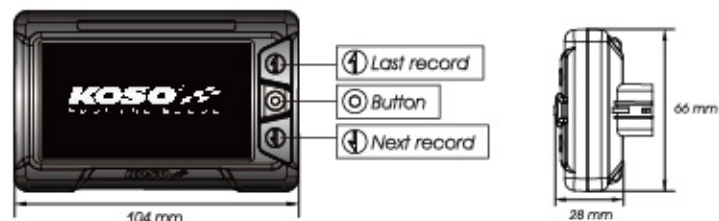
The small rev. counter is designed for the race, so we try to make it very small and work on the inner battery. There are tachometer, thermometer, the engine running hour, MAX record, and the RPM & temperature alarm functions including in the rev. counter, so you could get almost all the basic function you need for the race with it. If you want to use the meter on your bike every day, you could also connect the Backlight power to your battery and enable the Backlight function.



Performance Logger

Excellent portable Dyno tool for all bike lover, to measure and understand your bike's performance any time and anywhere. New designed user interface to be easier to get your horse power reading in a minute, also switchable display method you could choose from either seeing digit or curve.

This new generation of gauge could allow you adjust the backlight brightness and the LCD contrast to make sure you can see the reading clearly in all circumstance, not to mention it come with multiple method of warning, shift light and warning range setup to secure your bike during the test. The gauge could save up to 49 testing curves data for you to check what is the best tuning condition of your bike!



- Speedometer Display range : 0~360 km/h (0~223 MPH)
Display unit : 1 km/h (MPH)
(may shift between km and mph)
- Circumference Setting range : 300~2500 mm
Setting unit : 1 mm
- Sensing point Setting range : 1~60 P
Setting unit : 1P
- Tachometer Display range : 0~20000 RPM
Display unit : 100 RPM
- The RPM input signal number setting Setting range : 0.5, 1.0
- Logger function Display range : 50 Data
Display record : Curves, figures
- Rider weight Setting range : 40~150 kg
Setting unit : 1 kg
- Motor weight Setting range : 40~199 kg
Setting unit : 1 kg
- Back light brightness Setting range : 0(Extinction), 1(Dark) ~ 7(Bright)
Setting unit : 1
- Resolution Setting range : 1~15
Setting unit : 1
- Indicator Setting range : Full bright, quick flashing,
slow flashing, off
- Operating temperature -10~60°C
- Specification JIS D 0203(S2)
- Meter Size About 104 x 28 x 66 mm
- Meter Weight Around 115 g

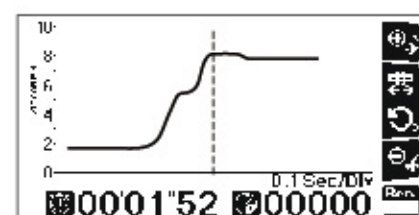
Item number Backlight color Display range Panel color



White 0~360 km black



● Recording screen



● Curve-line screen

No.	TIME	M RPM	M SPEED
1	0'00'15	110520	166
2	0'34'02	112120	320
3	0'45'12	111820	180
4	0'01'52	3580	360
5	0'07'12	7180	220
6	0'16'43	15180	228
7	0'35'18	16060	326
8	0'38'43	18110	215

● Record menu screen



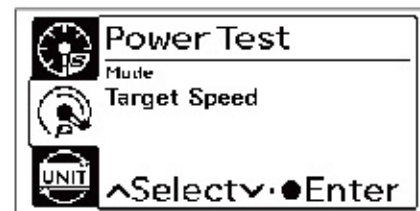
● Setup screen



○ Speeding Setting



○ RPM Setting



○ Power Testing Setting



○ Unit Setting



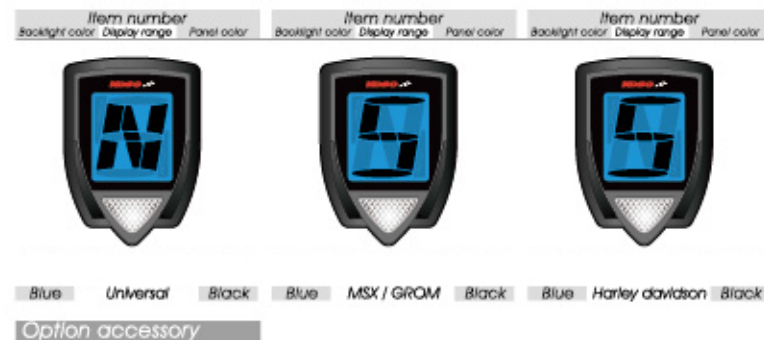
○ Weight Setting

GEAR METER

Always wondering in which gear you're in? Avoid this question by using our gear indicator. Lightweight, compact, easy to use and to install, this meter will tell you quickly which gear you've selected. Its big digits and blue backlight makes it easy to read during day or night riding. This meter is a great addition for the serious riders.



- Gear meter Display range: N, 1, 2, 3, 4, 5, 6, 7
- Supply voltage DC 12 V
- Effective temperature range -10~+60°C (14~140°F)
- Meter standard JIS D 0203
- Meter size (W X L X H) 37 X 51 X 17mm
- Meter weight Around 51.3 g



Blue Universal Black Blue MSX / GROM Black Blue Harley davidson Black

Option accessory



- Gear meter Display range: N, 1, 2, 3, 4, 5, 6, 7
- Supply voltage DC 12V
- Effective temperature range -10~+60°C
- Meter standard JIS D 0203
- Meter size (W X L X H) 30 X 50 X 24mm
- Meter weight Around 40 g



1 Gear meter signal adapter

GEAR METER

Many people ask us why KOSO doesn't make the gear indicator and now we are ready to introduce the new gear indicator.

The gear indicator works by checking the signal from speed and RPM, so it is quite easy to install and use. On the gear indicator, we already designed a shift light, so it could tell you the best time for changing the gear.

Gear meter signal adapter

The gear meter signal adapter is designed to make the gear meter fit on the bike you can't get the digital signal. With the adapter, you could share the speed signal with other KOSO meter and then get the analog RPM signal and transfer it into digital signal to make the gear meter work. If you don't have the KOSO speedometer, you could just purchase the speed sensor and then get the digital speed signal from it, too.



Race

Mini style

MINI 3 HEAD THERMOMETER

Need to monitor your engine temperature? Our Mini 3 meter is designed especially for Honda Grom which is the perfect addition for you. It's peak recall function will allow you to see the maximum temperature reach.



Max. temperature record

- Displayed range: t-1 - -20~200°C (-4~392°F)
- t-2 - -40~185°C (-40~365°F)
- t-3 - -20~220°C (-4~428°F)
- t-4 - -20~200°C (-4~392°F)
- t-5 - -20~120°C (-4~248°F)



- Temperature Display range: t-1 - -20~200°C (-4~392°F)
- t-2 - -40~185°C (-40~365°F)
- t-3 - -20~220°C (-4~428°F)
- t-4 - -20~200°C (-4~392°F)
- t-5 - -20~120°C (-4~248°F)

- Temperature type Display unit: t-1~t-5
- Effective voltage DC 12V
- Effective temperature range -10~+60°C
- Meter standard JIS D 0203 S2
- Meter size (W X L X H) 60 X 30 X 11.5 mm
- Meter weight Around 22g

Item number
Backlight color Display range Panel color



White KYMCO Black White YAMAHA Black White HONDA PCX Black



White YAMAHA S-Max Black White HONDA MSX (GROM) Black



Thermometer A. B

- 0~120°C (32~248°F)



- Thermometer A, B Display range : 0~120°C (32~248°F)
- Display unit : 0.1°C(°F)
- Effective voltage DC 12 V
- Effective temperature range -10~+60°C
- Meter standard JIS D 0203 S2
- Meter size (W X L X H) 60 X 30 X 11.5 mm
- Meter weight Around 22 g

Item number
Backlight color Display range Panel color



White Black

Option accessory

- 1 Oil temp sensor adapter
M12 X P1.5 X 4L
M12 X P1.5 X 5L
M12 X P1.5 X 6L
M12 X P1.5 X 7L
M12 X P1.5 X 8L
M12 X P1.5 X 9L
M12 X P1.5 X 10L
- 2 Water temp sensor adapter
M14
M16 M18
M22 M26 mm
- 3 Cylinder head temp sensor
M10
M14 mm
- 4 Temp sensor
M10 X P1.0
M12 X P1.0
M14 X P1.25
M16 X P1.5
M18 X P1.5

Mini style

MINI 3 DUAL TEMPERATURE

The Mini3 meter comes with 2 temperature function, so you could install the sensors at the place you want to check and get the temperature information easily. For example, you could install one sensor at the entrance and exit of the cooling system, and the you could know if the cooling system work properly. The dual temperature meter is the best tool for you to check the temperature.



MINI 3 OIL PRESSURE

Our Mini Style oil pressure gauge is a must for all applications. Its reading can help you avoid major mechanical problems. If the pressure goes down, that can indicate a leak in the system or a malfunction of the engine. Also, if you ride your bike at a high RPM range, the pressure meter can help you understand if the oil lubricates the engine properly. Small, compact, lightweight and using a wider screen than similar sizes meter, this gauge is a perfect complement to your actual cluster!



LCD mark on the upper position represents the current unit is **PSI**



LCD mark on the lower position represents the current unit is **kgf/cm²**



- Oil pressure meter Display range: 0.0~100.0PSI (0.0 ~ 7.0 kgf/cm²)
Display unit: 0.1PS (kgf/cm²).
- Oil pressure warning Warning Range: When pressure below the setting value (included), the LCD display will flash to warn.
- Effective voltage DC 12V
- Effective temperature range -10~+60°C
- Meter standard JIS D 0203 S2
- Meter size (W X L X H) 60 X 30 X 11.5 mm
- Meter weight Around 22g

Item number
Backlight color Display range Panel color



White Black

Option accessory



MINI 3 AMP & VOLT

The mini 3 series as been developed with the best components and latest technology. This compact and lightweight instrument will give you the vehicle voltage and amps used. This meter can be very helpful especially when there is many electrical accessories connected to the vehicle.



Amp meter
● 0~±30 A
15.8A

Volt meter
● DC 6.0~19.9 V
12.3

- Amp meter Display range: 0~±30 A~248°F
Display unit: 0.1 A
- Volt meter Display range: DC 6.0~19.9 V
Setting unit: 0.1 V
- Low Voltage warning Setting range: DC 8.0~13.0 V
Setting unit: 0.1 V
- Voltage warning When the voltage is below DC 11.5 V or over 15.5 V, the LCD display will flash to warn.
- Effective voltage DC 12V
- Effective temperature range -10~+60°C
- Meter standard JIS D 0203 S2
- Meter size (W X L X H) 60 X 30 X 11.5 mm
- Meter weight Around 22 g

Item number
Backlight color Display range Panel color



White Black

Option accessory



MINI 3 AIR / FUEL RATIO

Our new Mini 3 air/fuel ratio gauge was especially designed to help you tune your carbureted or fuel injected engine. This meter can be easily installed on any type of 4 stroke engine by installing the sensor in the exhaust system and connecting the instrument to a 12 v DC source of power.



The A/F ratio is too rich -R-	The A/F ratio is too lean -L-
---	---

- A/F ratio Display range: 12.2~17.2
 Setting unit : 0.1
- Effective voltage DC 12V
- Effective temperature range -10~+60°C
- Meter standard JIS D 0203 S2
- Meter size (W X L X H) 60 X 30 X 11.5 mm
- Meter weight Around 22g

Item number
Backlight color Display range Panel color



White Black

Option accessory

- 1 Signal Adapter wire (MARIYA)
- 2 Signal Adapter wire (SUZUKI & HONDA)
- 3 Signal Adapter wire (SUZUKI)
- 4 Signal Adapter wire (HONDA)
- 5 Oxygen sensor + Bung cap



MINI 3 AMBIENT TEMPERATURE

The Mini3 meter comes with 2 temperature function, so you could install the sensors at the place you want to check and get the temperature information easily. For example, you could install one sensor at the entrance and exit of the cooling system, and then you could know if the cooling system work properly. The dual temperature meter is the best tool for you to check the temperature.



Thermometer ●0~120°C (32~248°F) 22.0C 73.0F

- Thermometer Display range : -22~248 °F (-30~120 °C)
 Display unit : 0.1°F (°C)
- Effective voltage DC 12 V
- Effective temperature range -4~+140 °F (-20~60 °C)
- Meter standard JIS D 0203 S2
- Meter size (W X L X H) 60 X 30 X 11.5 mm
- Meter weight Around 22 g

Item number
Backlight color Display range Panel color



White Black

Option accessory



Race

Mini style

MINI 3 CLOCK & VOLT

The mini 3 series has been developed with the best components and latest technology. This compact and lightweight instrument features a clock and also the vehicle voltage. This meter can be very helpful especially when there is many electrical accessories connected to the vehicle.



Clock ●24H 12:00	Volt meter ●DC 6.0~19.9 V 12.5
-------------------------------	---

●A/F ratio	Display range: 12.2~17.2 Setting unit : 0.1
●Effective voltage	DC 12V
●Effective temperature range	-10~+60°C
●Meter standard	JIS D 0203 S2
●Meter size (W X L X H)	60 X 30 X 11.5 mm
●Meter weight	Around 22g

Item number
Backlight color: Display range: Panel color



White Black
Option accessory



Clock ●24H 12:00

●Thermometer	Display range : -22~248 °F (-30~120 °C) Display unit : 0.1°F (°C)
●Effective voltage	DC 12 V
●Effective temperature range	-4~+140 °F (-20~60 °C)
●Meter standard	JIS D 0203 S2
●Meter size (W X L X H)	60 X 30 X 11.5 mm
●Meter weight	Around 22 g

Item number
Backlight color: Display range: Panel color



White Black
Option accessory

Mini style

MINI 3 CLOCK METER

The all new MINI3 Clock meter could provide you the easier way to get the most watched information when you are riding! The meter is so compact that you could place in any place of your bike with easy connection. You don't need to take your hands off the grip to take a look of your watch and leave your sight from the road anymore, with a glance you will know the time for now!



Race

Mini style

MINI 3 FUEL METER

Changed your cluster and need to monitor your fuel level? Our Mini 3 fuel meter will give you that precious information. Compact, lightweight and easy to connect to your OEM fuel sensor; the Mini 3 fuel meter is a must have!

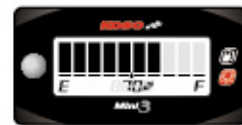


Fuel setting range
●100Ω, 180Ω, 250Ω, 270Ω, 510Ω, 700Ω, 1200Ω



- Fuel level Display range: 10 levels (0~100%)
- Digital Fuel Display range: 0~100%
Display unit: 1%
Setting range: 100Ω, 180Ω, 250Ω, 270Ω, 510Ω, 700Ω, 1200Ω, USER
- Fuel warning Setting range: 0~25%
Setting unit: 1%
- Effective voltage DC 12V
- Effective temperature -10~+60°C
- Meter standard JIS D 0203 S2
- Meter size (W X L X H) 60 X 30 X 11.5 mm
- Meter weight Around 22g

Item number
Backlight color Display range Panel color



White Black

Option accessory



Mini style

MINI 4 INFRARED TEMPERATURE

The mini4 meter comes infrared temperature, so you could install the sensors at the place you want to check and get the temperature information easily. Its small and compact size makes it very easy to install at almost any location on the bike.



- Temperature Display range: -4.0~302.0°F, Display unit: 0.1°F
- Temperature warning Setting range: 140~302°F, Setting unit: 1°F
- Volt meter Display range: 8.0v~18.0v, Display unit: 0.1 v
- Effective voltage DC 12V
- Effective temperature range -10~60 °C
- Water-Proof Standard JIS D 0203
- Meter size W69.8 X L34.4 X H17.2 mm
- Meter weight About 47.5 g

Item number
Backlight color Display range Panel color



White Black

Option accessory



Race

Mini style

MINI 4 ENGINE HOUR

How do you know the time to replace the parts or change the oil for your dirt bike or sport ATV when they come without the speedometer? Most of the people do it by feeling or experience before, but now you don't need to guess any more. KOSO provide you the new tool for doing this job for you, so you don't need to keep it on Your mind all the time. All you need to do is to check the hour meter.



Hour meter A/B

- Display range: 0.0~999.9 H
- Display unit: 0.1 H



● Total hour meter	Display range: 0~99999 ; Display unit: 1 H
● Hour meter A/B	Display range: 0.0~999.9 H ; Display unit: 0.1 H
● Effective voltage	DC 12V
● Battery type	CR 2032
● Battery life time	About 350 H (when battery volume below 250 mAh)
● Effective temperature range	-10~+60°C
● Meter standard	JIS D 0203
● Meter size (W X L X H)	69.8 X 34.4 X 17.2 mm
● Meter weight	Around 47.6g

Item number
Backlight color Display range Panel color



White Black

Option accessory



Thermometer A. B

- -25°C~250°C (-13°F~482°F)

MAX Temp. record



● Thermometer A, B	Display range: -25°C~250°C (-13°F~482°F) Display unit: 0.1°C (°F)
○ Temperature Warning	Range: Settable temperature warning range. Display will flash when the temperature is higher than (or equals to) the setting value.
● Battery type	CR 2032
● Battery life time	About 230 H (when battery volume below 250 mAh)
● Effective temperature range	-10~+60°C
● Meter standard	JIS D 0203
● Meter size	W69.8 X L34.4 X H17.2 mm
● Meter weight	Around 47.6g

Item number
Backlight color Display range Panel color



White Black

Option accessory

Mini style

MINI 4 DUAL TEMPERATURE

Have you ever feel lost and have no clue when and why your bike get overheat engine all the time? This special protable dual temperature compact meter will easily solve your problem by just install it on your bike, also the meter allows to use inner battery to work so you don't need to connect the power supply or makes it more easily to switch the meter between different bike. The KOSO Mini 4 Dual Temperature meter allows you to know your coolant temperature by install the 2 sensors at 2 different position of your cooling system - IN/OUT then you will easier know if your cooling system is working properly or not by visual observation.



Race

Mini style

MINI 4 A/F RATIO METER

Have you ever find it difficult to understand the A/F ratio from your bikes? Especially when you have more than 2 bikes and lack of instrument to observe the information you want? This all new protable KOSO Mini 4 A/F ratio will be your final solution! With inner battery to allow you don't have to connect the power supply of the bike so makes it more easier to switch from one bike to another. Of course, you also can connect the power supply and leave it on one bike because the size of the meter is so compact and you could place it in any where you like and easily to get the A/F information you want in anytime when you ride.



The A/F ratio is too rich

-R-

The A/F ratio is too lean

-L-

●A/F ratio	Display range: 12.2~17.2 Setting unit : 0.1
●Effective voltage	DC 12V
●Battery type	CR 2032
●Battery life time	About 450 H (when battery volume below 250 mAh)
●Effective temperature range	-10~+60°C
●Meter standard	JIS D 0203
●Meter size (W X L X H)	69.8 X 34.4 X 17.2 mm
●Meter weight	Around 47.6g

Item number
Backlight color / Display range / Panel color



White Black

Option accessory



MAX RPM record

- Display range: 0~15,000 RPM
- Display unit: 10 RPM



●Digital Tachometer	Display range: 0~15,000 RPM Display unit: 10 RPM
○Display internal	<0.5 second
○RPM input pulse	Display range: 0.5, 1, 1.5, 2, 2.5, 3, 4, 5, 6
●Effective voltage	DC 12V
●Battery type	CR 2032
●Battery life time	About 350 H (when battery volume below 250 mAh)
●Effective temperature range	-10~+60°C
●Meter standard	JIS D 0203
●Meter size (W X L X H)	69.8 X 34.4 X 17.2 mm
●Meter weight	Around 47.6g

Item number
Backlight color / Display range / Panel color



White Black

Option accessory

Mini style

MINI 4 RPM METER

The style and new design of mini-series meter. Always show the live engine rpm. The white back light could bring you excellent vision in the night. The meter could work by the small battery inside(CR2032). Perfect for the motocross or the bikes without battery.



Race

Mini style

MINI 4 RPM & HOUR METER

The new Mini4 meter comes with the new shape design makes the meter look more stylish. Except the shape design, the new meter comes with the new battery socket design to upgrade the anti-vibration level and the new structure allows you to choose to use the Velcro to stick the meter on your bike or using the screw to fix the meter. The meter works with the inner CR2032 battery, so you could use the meter on the off road bikes or ATV which come without the battery. With the engine hour function, it will be very easy for you understand how long the engine already run and when you need to do the maintain. The best tool to monitor the engine!



088 / 089



MAX RPM record

- Display range: 0~15,000 RPM
- Display unit: 10 RPM



● Digital Tachometer	Display range: 0~15,000 RPM Display unit: 10 RPM
○ Display internal	<0.5 second
○ RPM input pulse	Display range: 0.5, 1, 1.5, 2, 2.5, 3, 4, 5, 6
● Total hour meter	Display range: 0~99999 ; Display unit: 1 H
● Hour meter A/B	Display range: 0.0~999.9 H ; Display unit: 0.1H
● Effective voltage	DC 12V
● Battery type	CR 2032
● Battery life time	About 350 H (when battery volume below 250 mAh)
● Effective temperature range	-10~+60°C
● Meter standard	JIS D 0203
● Meter size (W X L X H)	69.8 X 34.4 X 17.2 mm
● Meter weight	Around 47.6g

Item number
Backlight color: Display range: Panel color



White: Black:

Option accessory



Volt meter

- Display range : DC 8.0~18.0 V
- Display unit : 0.1 V

Voltage warning

- When the voltage is lower than 11.5V, the meter will flash to warn you.



● Volt meter	Display range : DC 8.0~18.0 V Display unit : 0.1 V
○ Voltage warning	When the voltage is lower than 11.5V, the meter will flash to warn you.
● Effective voltage	DC 12V
● Effective temperature range	-10~+60°C
● Meter standard	JIS D 0203 S2
● Meter size	56.4 X 27 X 11 mm
● Meter weight	Around 20 g

Item number
Backlight color: Display range: Panel color



Blue: Black: Red: Black:

Option accessory

Super slim style

VOLTAGE

Our super slim series is probably one of our best seller. Its small and compact size makes it very easy to install at almost any location on the bike. The blue illuminated digits make the meter very attractive and easy to read at night. Our super slim volt meter is equipped with a warning function to help you monitor the voltage. The meter will automatically flash if the voltage goes below than 11.5 volts.



Race 2020

Race Mini style

RPM & HOUR METER / VOLT

Race

Super slim style

THERMOMETER

Our super slim series is probably one of our best seller. Its small and compact size makes it very easy to install at almost any location on the bike. The blue illuminated digits make the meter very attractive and easy to read at night. Our super slim temperature meter is equipped with a warning function to help you monitor the engine temperature. The meter will automatically flash if the temperature goes higher than 120°C.



090 / 091



Thermometer

- Display range : 0~120°C
- Display unit : 1°C

Temperature Warning

- When the temperature is over 120°C., the meter will flash to warn you.



- Thermometer Display range : 0~120°C (32~248°F)
Display unit : 1°C (°F)
- Temperature Warning When the temperature is over 120°C (248°F), the meter will flash to warn you.
- Effective voltage DC 12V
- Effective temperature range -10~+60°C
- Meter standard JIS D 0203 S2
- Meter size 56.4 X 27 X 11 mm
- Meter weight Around 22 g

Item number
Backlight color Display range Panel color



Blue 0~120°C Black



Blue 32~248°F Black



Red 0~120°C Black



Red 32~248°F Black

Option accessory



Clock

- 24H



- Clock 24H
- Effective voltage DC 12V
- Effective temperature range -10~+60°C (14~140°F)
- Meter standard JIS D 0203 S2
- Meter size 56.4 X 27 X 11 mm
- Meter weight Around 22 g

Item number
Backlight color Display range Panel color



Blue Black

Option accessory

Super slim style

CLOCK

We now provide with only clock in our super slim meter line up. You don't want to wear the watch when you are on the racetrack, but you still want to know the time exactly? Try this and you won't be disappointed.



Race 2020

Race

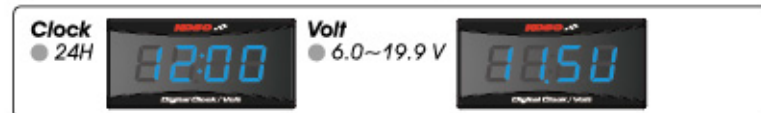
Super slim style

CLOCK & VOLTAGE

Our super slim series is probably one of our best seller. Its small and compact size makes it very easy to install at almost any location on the bike. The blue illuminated digits make the meter very attractive and easy to read at night. Our super slim clock & volt meter is a convenient tool. Simply press the button to switch between the 2 functions. Our super slim volt meter & clock is equipped with a warning function to help you monitor the voltage. The meter will automatically flash if the volta.



092 / 093



● Clock	24H
● Volt meter	Display range: 6.0~19.9 V ; Display unit: 0.1 V
○ Volt warning setting	Setting range: 8.0~16.0 V ; Setting unit: 0.1 V ON-turn on ; OFF-turn off
○ Default value for voltage warning	High voltage warning: 14.0 V Low voltage warning: 11.0 V
● Effective voltage	DC 12V
● Effective temperature range	-10~+60°C (14~140°F)
● Meter standard	JIS D 0203 S2
● Meter size	56.4 X 27 X 11 mm
● Meter weight	Around 22 g

Item number
Backlight color Display range Panel color



Blue 24H / 6~19.9 V Black

Option accessory

NEW!



● Temp Meter	Display range : 0 ~ 150.0 °C (32.0 ~ 302.0 °F) Display unit : 0.1°C ~ 0.1°F
○ MAX Temp Record	Display range : 0 ~ 150.0 °C (32.0 ~ 302.0 °F) Display unit : 0.1°C ~ 0.1°F
○ Temp unit Setting	Setting unit : °C ~ °F Preset: °C
○ Temp warning	Setting range: 1°C ~ 1°F Setting unit: 1°C ~ 1°F Preset: 100°C
● Volt Meter	Display range : 8V ~ 18 V Display unit : 0.1 V
○ Low volt warning Setting	Setting range : 8.0~18.0V Preset: 11.5V
● backlight color	Blue Red Green
● Effective temp range	-10 °C ~ +60 °C
● Effective voltage	DC 8v~16v
● Meter size	About 57 x 29 x 8.7 mm

Item number
Backlight color Display range Panel color



Blue Black Red Black Green Black

Super slim style-Touch

TEMPERATURE & VOLTAGE

New generation of Super Slim LED Meter, with amazing touchscreen feature to allow you switch different reading display by simply touch the screen corner! It comes with indication to tell you if the touchscreen function is activated, not to mention the auto lock feature to prevent any accidental touch. Another benefit for the touchscreen feature is to do as button but without extra button! So your favorite Super Slim LED Meter now is upgraded to a whole new level, which can set the warning for low voltage and high temperature. Slim thickness could let you stick on anywhere of the bike wherever easy to read for the rider; now, except original blue and red, it also comes with green color display!



Race 2020

Race Super slim style

CLOCK & VOLT / TOUCHSCREEN SLIM VOLT & TEMP METER

Race

i-GEAR style

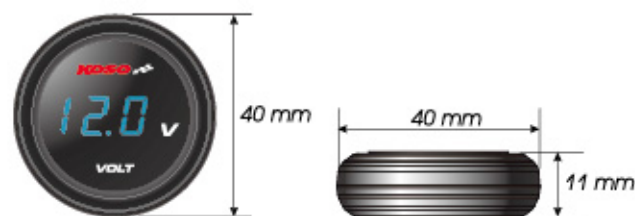
i-GEAR VOLT METER

The small and compact size of the i-Gear meters makes it very easy to install at almost any location on the bike. The blue or red illuminated digits make these meters very attractive and easy to read at night. Different models are available: temperature meters, and volt meter. They are equipped with a warning function to help you monitor the information.



094 / 095

NEW!



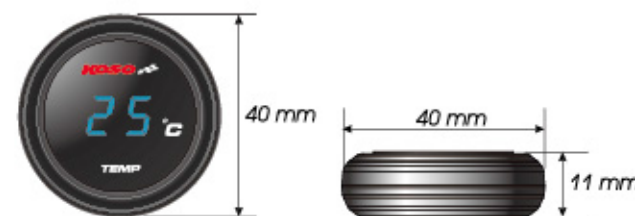
- Meter Display range : DC 7.0 ~ 19.9 V
Display unit : 0.1 V
- Voltage warning When the voltage is lower than 12 V, the meter will flash to warn you.
- Effective voltage DC 12 V
- Effective temperature range -10 ~ +60°C
- Meter standard JIS D 0203 S2
- Meter size Ø40 x 11 mm
- Meter weight Around 24 g

Item number Backlight color Display range Caseing

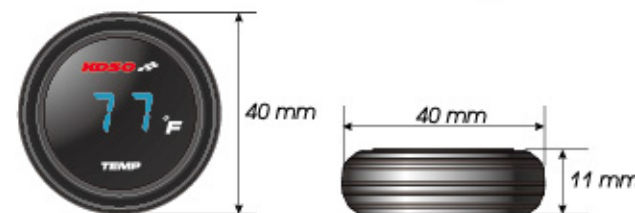


Blue DC7.0~19.9 V Black Red DC7.0~19.9 V Black

NEW!



- Meter Display range : 0 ~ 120 °C
Display unit : 1 °C
- Temp. warning When the temperature is over 120 °C, the meter will flash to warn you.
- Effective voltage DC 12 V
- Effective temperature range -10 ~ +60 °C
- Meter standard JIS D 0203 S2
- Meter size Ø 40 x 11 mm
- Meter weight Around 30 g



- Meter Display range : 32 ~ 248 °F
Display unit : 1 °F
- Temp. warning When the temperature is over 248 °F, the meter will flash to warn you.

Item number Backlight color Display range Caseing



Blue 0~120 °C Black Red 0~120 °C Black



Blue 32~248 °F Black Red 32~248 °F Black

i-GEAR style

i-GEAR TEMPERATURE METER

The small and compact size of the i-Gear meters makes it very easy to install at almost any location on the bike. The blue or red illuminated digits make these meters very attractive and easy to read at night. Different models are available: temperature meters, and volt meter. They are equipped with a warning function to help you monitor the information.



VOLT & TEMPERATURE

Race PROTON style

Learn more about motorcycle gauges and dashboards we have. **Race 2020**

Classic

GP style

E-mark approval

TNT D64

Our TNT D64 multifunction speedometer is the perfect meter for all the street bike, classic bike and cafe racer with more standard 64mm diameter size.

It uses a stepper motor for a fast and smooth response. The instrument features many functions such as, speed, odometer, trip meter, fuel meter, clock, voltage, shift light, indicator light and more...

This meter is available in black or white face for you to make your own choice!



- Speedometer Display range : 0 ~ 360 km (0 ~ 225 mile)
Display unit : km/h & MPH or alternative
- Odometer Display range : 0~99999 km (mile), reset automatically after 99999 km (mile)
- Trip meter A , B Display range : 0~9999.9 km (mile), reset automatically after 0~9999.9 km (mile)
- Top speed record Display range : 0~360 km/h (0~225 MPH)
- Tire circumference Display range : 20,000 RPM
- The shift light Setting range : 5000~20000 RPM
- Warning RPM input pulse F-OFF (LIGHT ON) • F-ON (FLASH)
Display range : 0.5, 1~6
- The RPM input pulse Setting range : HI-ACT (Positive wave pulse)
Lo-ACT (Negative wave pulse)
- Max. RPM record Display range : 0~20,000 RPM
- Fuel meter Display range : 0~100%
- Insufficient fuel warning Setting unit : 100 Ω , 250 Ω , 510 Ω , USER
- Clock 24 H
- Backlight brightness Setting range: 1-5 (Darkest)~5-5 (Brightest)
- Effective voltage DC 12V
- Effective temperature range -10 ~ +60 °C
- Meter standard JIS D 0203 S2
- Meter size 85.5 X 54.5 mm
- Meter weight Around 330 g
- Telltales High beam (Blue) ED
Neutral (Green) N
Reserve (RED) Δ
Repeater (Green) ↔
RPM Shift light (RED) ●

Item number Backlight color Display range Casing



White 0~360 km/h Black



- Speedometer Display range : 0 ~ 360 km (0 ~ 225 mile) switchable
- Speedometer unit Display range : km ~ mile
- Over speed warning Setting range : 30 ~ 360 km (19 ~ 225 mile), warning sign will be given once exceed (include) setting value.
- Tire circumference Display range : 300 ~ 2,500 mm
- Internal and external odometer Display range : 0 ~ 999,999 km (mile) return to zero upon exceed
- Trip meter A , B Display range : 0 ~ 9,999.9 km (mile) returns to zero upon exceed
- Gear meter Display range : off, highest gear, N and highest gear, show all (N / 1 ~ 6)
- Tachometer Display range : 0 ~ 10,000 RPM
- RPM signal Display range : P-0.5 ~ P-1 ~ P-24
- The RPM input pulse Display range : Hiact ~ Loact
- Thermometer Display range : 0 ~ 250 °C (32 ~ 482 °F)
- RPM shift light \ Warning 1 \ Warning 2
- Fuel meter 100Ω \ 250Ω \ 270Ω \ 510Ω \ 1200Ω \ fuel switch \ USER
- Clock Setting range : 12 / 24 hour format
- Voltmeter Display range : 8 ~ 18 V
- Under voltage Setting range : 8.0 ~ 18.0 V, warning sign will be given once below (include) setting value.
- Backlight brightness Setting range : 1 / 5 (darkest) ~ 5 / 5 (brightest)
- Backlight color Setting range : red, orange, yellow, green, blue, light blue, purple, white
- Maintenance millage Setting range : OFF, 500 ~ 16,000 km
- Operating voltage DC 8V to DC 16V
- Temperature range -10 ~ +60 °C
- Specifications JIS D 0203 (S2)
- Meter Size / Meter Weight D94.7 X 55.8 mm / 165 g
- Indication light RPM shift light ● Trun signal ↔
Warning 1 Δ High beam light ED
Warning 2 Δ Engine warning light ○
Neutral N

Item number Backlight color Display range Casing



8 color 0~360 km/h Chrome 8 color 0~360 km/h Chrome 8 color 0~360 km/h Black 8 color 0~360 km/h Black

GP style

E-mark approval

TNT-04

The whole new TNT-04 meter is perfect instrument for Classic application or special Cafe Racer project. It combine with both needle tach and digital speed display to present your special taste of bike.

The meter is fully equipped with all functions you need such as tachometer, speedometer, odometer, trip meter, shift light, fuel level, indicator lights, gear indicator and also the multiple warning reserved light you could make your own selection. Furthermore, this TNT-04 offer you 7 different colors for backlight to ride with your own style!



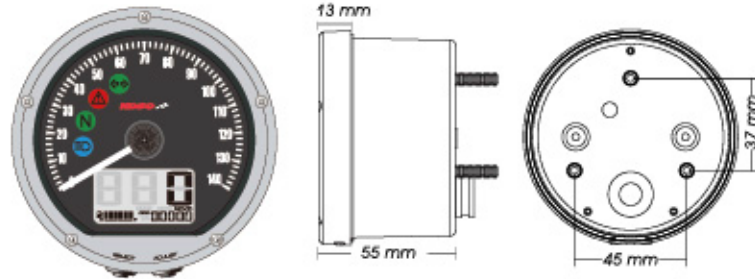
Classic

GP style

E-mark approval

TNT-01S SPEEDOMETER

Our TNT multi-functions speedometer is the perfect meter for all the Café racers and special projects. The TNT meter use a stepper motor for a fast and smooth response. The instrument features many functions such as, speed, odometer, trip meter, fuel gauge, clock, voltage, shift light, indicator light and more. This meter is available in black or white face and includes the installation brackets and speed sensor.

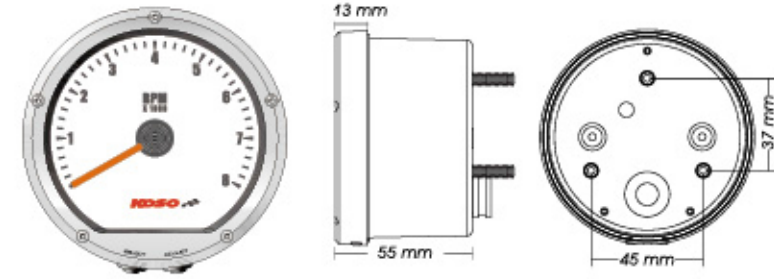


● Speedometer	Display range: 0-360 km/h (0-225 MPH) Display unit: km/h & MPH or alternative
○ Odometer	Display range: 0-99999 km (mile), reset automatically after 99999 km (mile)
○ Trip meter A, B	Display unit: 1 km (mile) Display range: 0-9999.9 km (mile), reset automatically after 0-9999.9 km (mile)
○ Top speed record	Display unit: 0.1 km (mile) Display range: 0-360 km/h (0-225 MPH)
○ Tire circumference	Setting range: 300-2,500 mm Sensor point: 1-20 Setting unit: 1
● Clock	24 H
● Backlight brightness	Setting range: 1-5 (Darkest)-5-5 (Brightest) Setting unit: Each level represents 20%
● Effective voltage	DC 12v
● Effective temperature range	-10~+60 °C
● Meter standard	JIS D 0203 S2
● Meter size	85.5 X 54.5 mm
● Meter weight	Around 330 g
● Telltales	High beam (Blue) HD Neutral (Green) N Warning Light (RED) △ Repeater (Green) ◇

Item number Backlight color Display range Casing

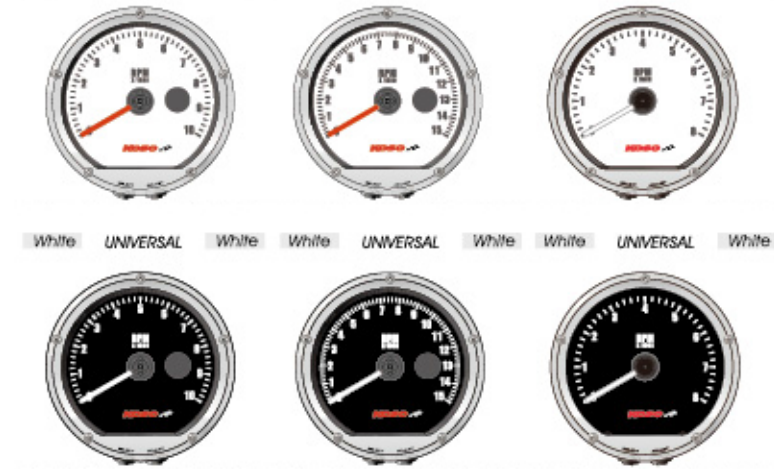


White 0-140 Black White 0-240 Black



● Tachometer	Display range: 0-10,000 RPM
○ Display internal	<0.5 second
● The RPM input signal number setting	Setting range: 0.5, 1-6
● The RPM input pulse	Setting unit: Hi (Positive wave pulse) Lo (Negative wave pulse)
● Backlight brightness	Setting range: 6 different levels available Setting unit: Each level represents 20%
● Supply voltage	DC 12V
● Effective temperature range	-10~+60°C
● Meter standard	JIS D 0203 S2
● Meter size (D X H)	D86 X 55 mm
● Meter weight	Around 330g

Item number Backlight color Display range Casing



White UNIVERSAL Black White UNIVERSAL Black White UNIVERSAL Black

GP style

E-mark approval

TNT-01R TACHOMETER

Built with the best components and strongest stepper motor on the market, this TNT tachometer is the perfect addition for all motorcycles. Its large dial face and backlight make it easy to read all day long. Available in black dial face with black casing and white dial face with chrome casing.



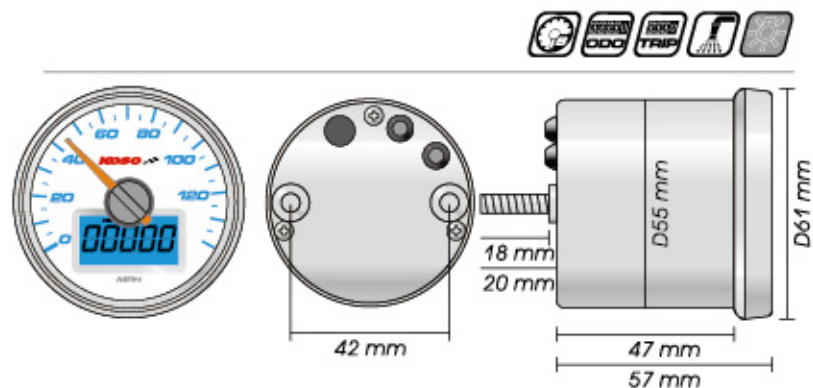
Classic

GP style

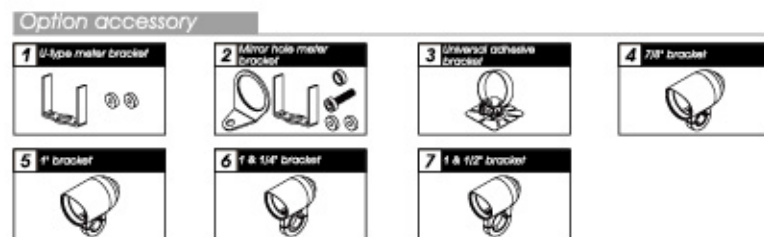
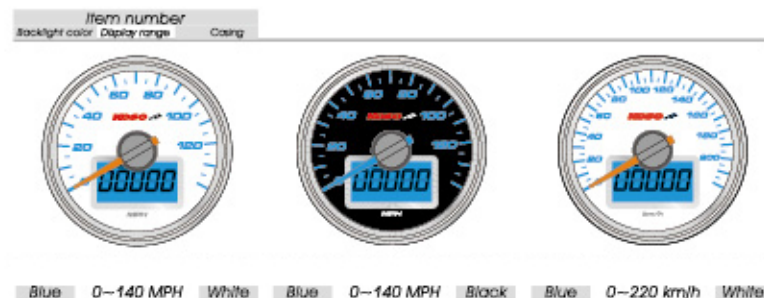
E-mark approval

HD-01S SPEEDOMETER

To make the needle stable for the high vibrations, we adopt the stepper motor on all our needle meters. This Speedometer with illuminated needle is very easy to read at night. The odometer and tripmeter on the digital screen gives precisely the mileage. This instrument will fit the OEM speed sensor. Want something different? This is the right gauge.



- Speedometer Display range: 0~220 km/h (0~140 MPH)
Display unit: MPH
- Display internal <0.5 second
- Odometer Display range: 0~99999 km (mile),
reset automatically after 99999 km (mile)
Display unit: 1 km (mile)
- Trip meter Display range: 0~999.9 km (mile),
reset automatically after 999.9 km (mile)
Display unit: 0.1 km (mile)
- Supply voltage DC 12V
- Effective temperature range -10~+60°C
- Meter standard JIS D 0203
- Meter size (D X H) D55 X 57 mm
- Meter weight Around 190 g

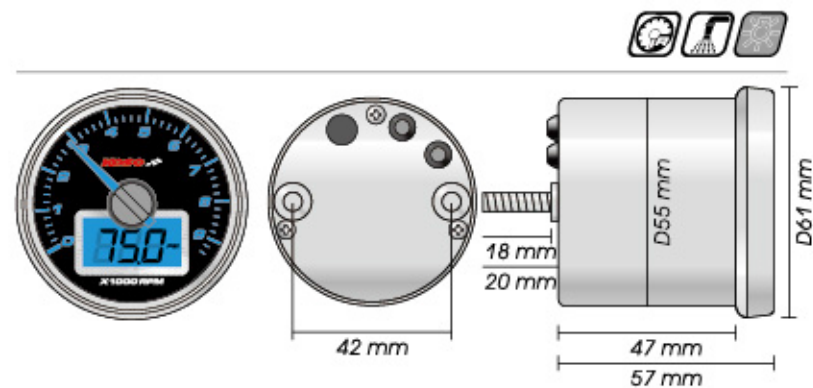


GP style

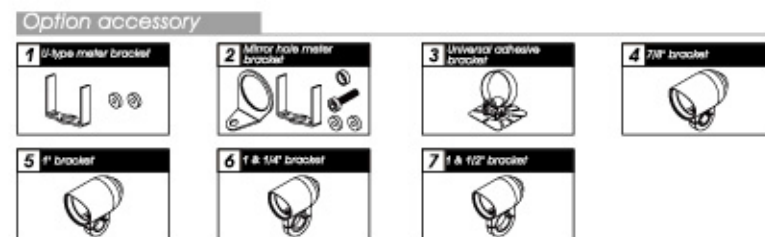
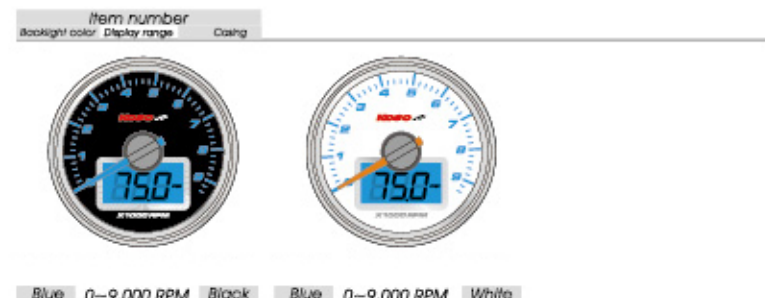
E-mark approval

HD-01R Tachometer (with Shift light)

To make the needle stable for the high vibrations, we adopt the stepper motor on all our needle meters. With the auto-scan function, the meter will scan when the engine is turned on. This tachometer with illuminated needle is very easy to read at night. The digital screen gives precious informations on the oil pressure, and its warning function could also save the engine from bad damages. This instrument will fit with the OEM oil pressure sensor. Want something different? This is the right gauge.



- Tachometer Display range: 0~9,000 RPM
Display unit: 100 RPM
- Display internal <0.5 second
- Stroke / piston setting 2 Stroke: 1, 2, 3, 4 pistons
4 Stroke: 1, 2, 3, 4, 5, 6, 8, 10, 12 pistons
- Oil press Display range: 0~75 psi
Display unit: 0.1 psi
- Display internal <0.5 second
- Supply voltage DC 12 V
- Effective temperature range -10~+60°C
- Meter standard JIS D 0203
- Meter size (D X H) D55 X 57 mm
- Meter weight Around 190 g



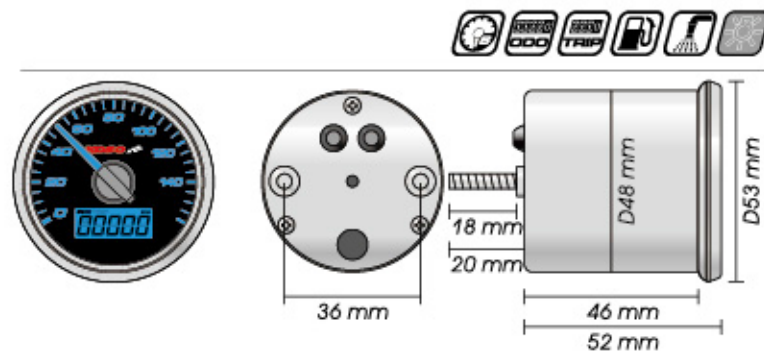
D48 SPEEDOMETER

For fitting the demand for the super small speedometer, it takes us almost one year to finish the super tiny electronic speedometer.

Instead of using the traditional mechanic movement, KOSO try to combine the high tech stepper motor with the LCD into the tiny speedometer.

With the stepper motor and LCD, the new speedometer comes with the luminous needle and Backlight powered by the super bright LED will work much better on your bike.

Are you still looking for the tiny speedometer for your beautiful bike? Here it is!



- Speedometer Display range: 0~160 km/h (mph)
Display unit: 1 km/h (mph)
- Display internal <0.5 second
- Odometer Display range: 0~99,999 km (mile), reset automatically after 99,999 km (mile)
Display unit: 1 km (mile)
- Trip meter Display range: 0~999.9 km (mile), reset automatically after 999.9 km (mile)
Display unit: 0.1 km (mile)
- Tire circumference setting Setting range: 300~2,500 mm
Setting unit: 1 mm •Pulse setting: 1~60
- Fuel meter Display range: 0%~100%
Setting range: 100 Ω, 510 Ω, User
- Supply voltage DC 12V
- Effective temperature range -10~+60°C
- Meter standard JIS D 0203
- Meter size (D X H) D48 X 52 mm
- Meter weight Around 132.2 g

Item number
Backlight color: Display range Panel color



Blue 0~160 Black

Option accessory

- 1 Dia magnet screw
- 2 Active speed sensor
- 3 Digital speed signal sensor
- 4 Digital speed signal sensor
- 5 Digital speed signal sensor
- 6 Digital speed signal sensor
- 7 Mirror hole meter bracket
- 8 U-type meter bracket

D48 TACHOMETER

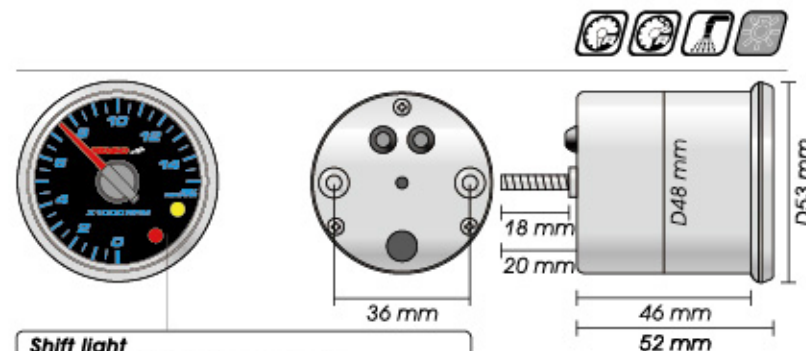
To make the needle stable for the high vibration situation, we adopt the stepper motor on all of our needle meter series.

With the auto-scan function, the meter will scan when you turn on your machine.

The 15,000 RPM tachometer with illuminated needle and dial is much easily for you to read in night.

Two colors for you to choose black look or the simple white meter face design with the red needle.

For fitting different models, we also provide you the set table tachometer with a shift light for another choice.



Shift light

- Setting range: 0~15,000 RPM.
- Setting unit: 500 RPM.

- Tachometer Display range: 0~15,000 RPM
Display unit: 500 RPM
- Display internal <0.5 second
- Shift light Setting range: 0~15,000 RPM
Setting unit: 500 RPM
- MAX RPM record Display range: 0~15,000 RPM
- Stroke / piston setting 2 Stroke: 1, 2 pistons
4 Stroke: 1, 2, 3, 4 pistons
- Supply voltage DC 12V
- Effective temperature range -10~+60°C
- Meter standard JIS D 0203
- Meter size (D X H) D48 X 52 mm
- Meter weight Around 117 g

Item number
Backlight color: Display range Panel color



Blue 0~15,000 RPM Black Blue 0~15,000 RPM White

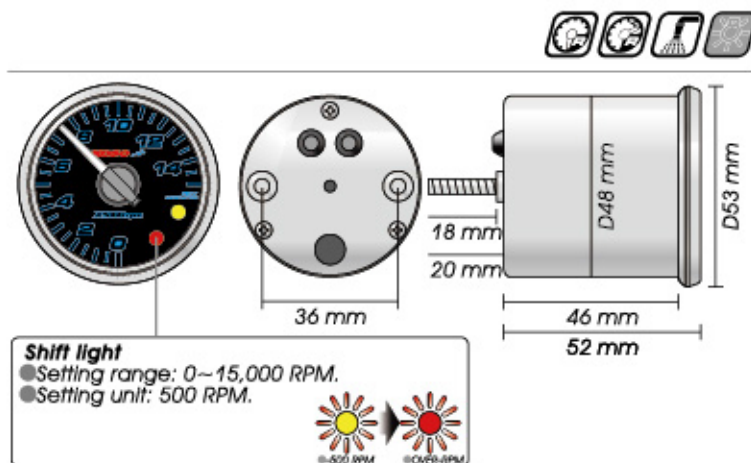
Option accessory

- 1 Temp sensor with set (2 M)
- 2 Oil temp sensor adapter
- 3 Water temp sensor adapter
- 4 Temp sensor
- 5 Cylinder head temp sensor
- 6 U-type meter bracket
- 7 Mirror hole meter bracket
- 8 Universal adhesive bracket



D48 TACHOMETER

Get a faster RPM reading with this GP2 style tachometer! Its upgraded internal motor allows the needle to respond faster and be more stable. The black background will allow you to see the warning light easily even under the sun. Compact, lightweight, this meter is perfect for all motorcycles.



Shift light
 ● Setting range: 0~15,000 RPM.
 ● Setting unit: 500 RPM.

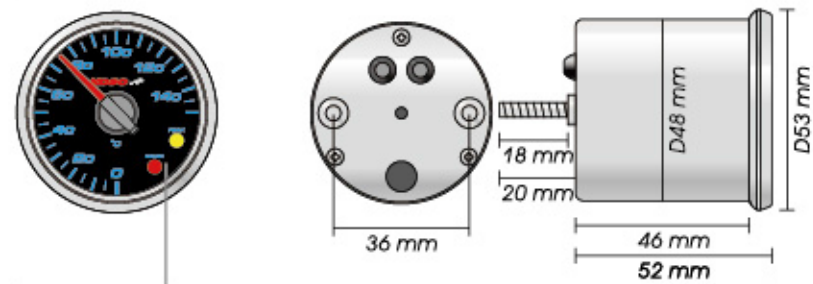
- Tachometer Display range: 0~15,000 RPM
Display unit: 500 RPM
- Display internal <0.5 second
- Shift light Setting range: 0~15,000 RPM
Setting unit: 500 RPM
- MAX RPM record Display range: 0~15,000 RPM
- Stroke / piston setting 2 Stroke: 1, 2 pistons
4 Stroke: 1, 2, 3, 4 pistons
- Supply voltage DC 12 V
- Effective temperature range -10~+60°C
- Meter standard JIS D 0203
- Meter size (D X H) D48 X 52 mm
- Meter weight Around 117 g

Item number
 Backlight color Display range Panel color



Blue 0~15,000 RPM Black

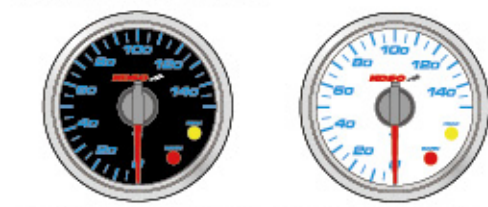
Option accessory



Peak light
 ● Use the "peak" button on the controller to get the top temperature recall or reset the record.
WARNING LIGHT
 ● To warn you of the engine exhaust temperature.

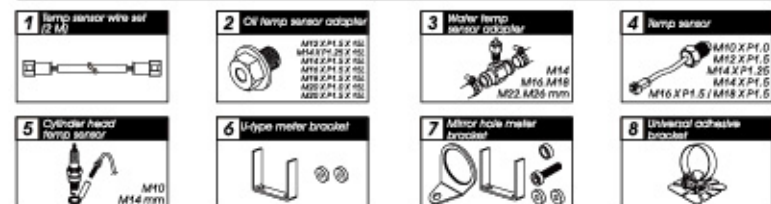
- Thermometer Display range: 0~150°C
Display unit: 1°C
- Thermometer level Setting range: 0~150°C
Setting unit: 1°C
- Top temperature record Display range: 0~150°C
- Supply voltage DC 12V
- Effective temperature range -10~+60°C
- Meter standard JIS D 0203
- Meter size (D X H) D48 X 52 mm
- Meter weight Around 117 g

Item number
 Backlight color Display range Panel color



Blue 0~150°C Black Blue 0~150°C White

Option accessory



D48 THERMOMETER

To make the needle stable for the high vibration situation, we adopt the stepper motor on all of our needle meter series.

With the auto-scan function, the meter will scan when you turn on your machine.

The thermometer could reach 150°C, so it is enough for you to use it for checking the water temperature or the oil temperature on your machine.

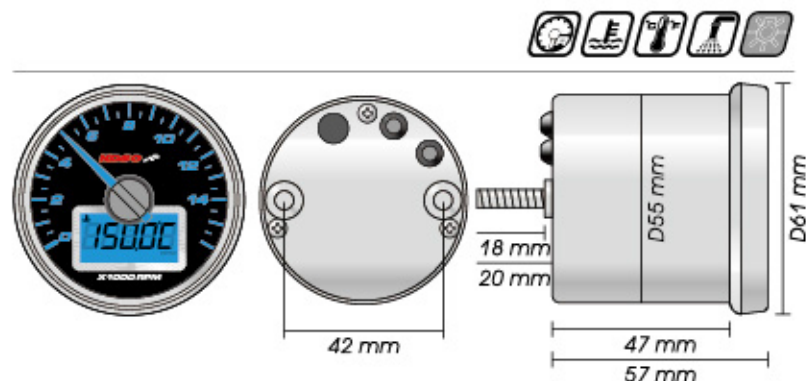
We have two colors for you to choose black carbon look or the simple white meter face design.

We also provide the thermometer with the set table heat warning light as a option.



D55 TACHOMETER

To make the needle stable for the high vibrations, we adopt the stepper motor on all our needle meter. With the auto-scan function, the meter will scan when the engine is turned on. This 9,000 RPM with illuminated needle is very easy to read at night. The water or oil temperature digital screen gives precious informations on the engine. Want something different? This is the right gauge.



- Tachometer Display range: 0~9,000 RPM (0~16,000 RPM)
Display unit: 100 RPM
- Display interval <0.5 second
- Stroke / piston setting 2 Stroke: 1, 2, 3, 4 pistons
4 Stroke: 1, 2, 3, 4, 5, 6, 8, 10, 12 pistons
- Thermometer Display range: 0~150°C (32~302°F)
Display unit: 0.1 °C (°F), °C & °F for alternative
- Display interval <0.5 second
- Supply voltage DC 12V
- Effective temperature range -10~+60°C
- Meter standard JIS D 0203
- Meter size (D X H) D55 X 57 mm
- Meter weight Around 190 g

Item number Backlight color Display range Panel color



Blue 0~9,000 RPM Black



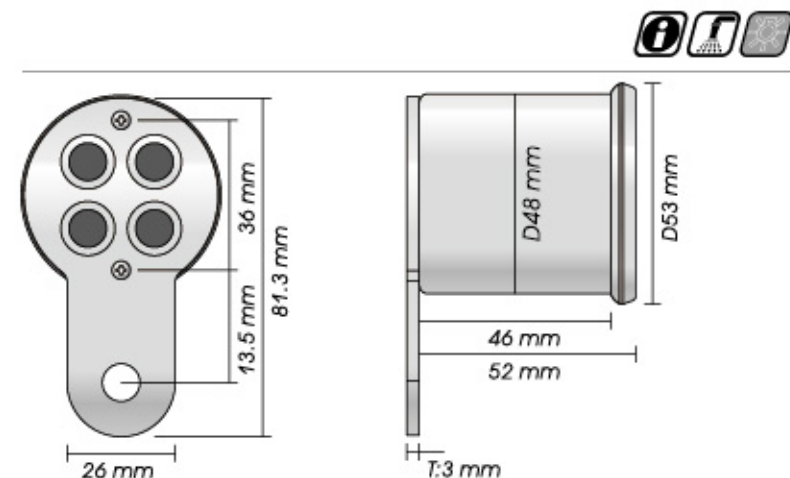
Blue 0~16,000 RPM Black



Blue 0~9,000 RPM White



Blue 0~16,000 RPM White



- Telltales
 - ⓘ High beam (Blue)
 - ↔ Repeater (Green)
 - N Neutral (Green)
 - ⚡ Oil (Red)
- Bulb specification T5 / 2W
- Supply voltage DC 12V
- Effective temperature range -10~+60 °C
- Meter standard JIS D 0203
- Meter size (D X H) D48 X 52 mm
- Meter weight Around 80 g

Item number Backlight color Display range Panel color



Black



D48 TELLTALES METER

The meter is designed for matching all the Street series meter without the telltales. The 48 mm case is small and easy to install on the bike.

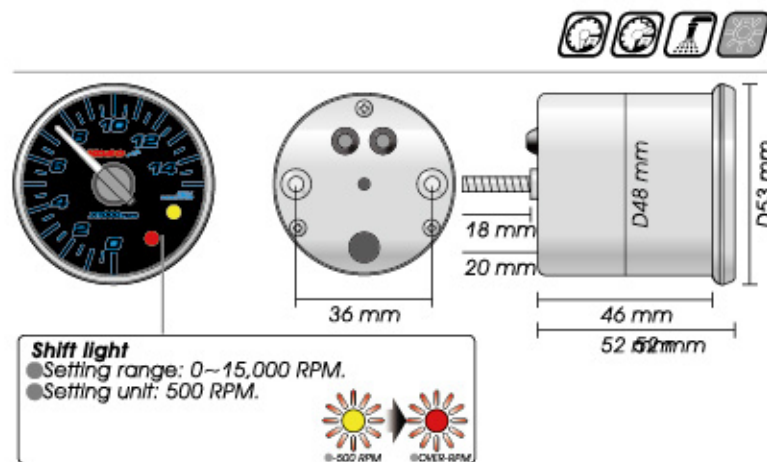


D48 TACHOMETER

The new eclipse style is focused on the smoke lens design and the white LED Backlight using in the meter. With the new design smoke lens, the meter will look almost black when it is off, so no one could know which meter you install on your bike.

With the high contrasting white LED design, the dial will look very clear in the night time.

The new eclipse meter comes with the shift light, so you could set it up according to your bike and command the best gear shift timing.



Shift light

- Setting range: 0~15,000 RPM.
- Setting unit: 500 RPM.

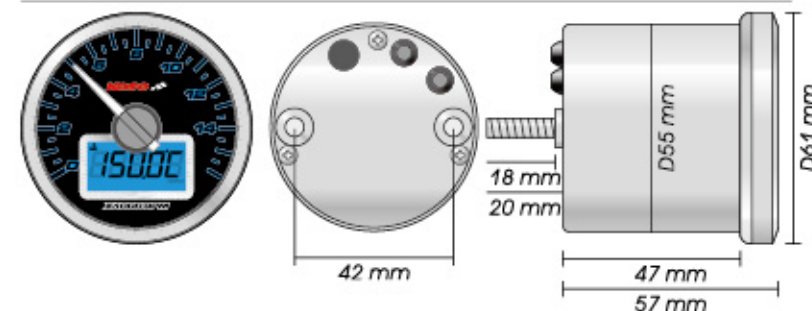
- Tachometer Display range: 0~15,000 RPM
Display unit: 500 RPM
- Display internal <0.5 second
- Shift light Setting range: 0~15,000 RPM
Setting unit: 500 RPM
- MAX RPM record Display range: 0~15,000 RPM
- Stroke / piston setting 2 Stroke: 1, 2 pistons
4 Stroke: 1, 2, 3, 4 pistons
- Supply voltage DC 12 V
- Effective temperature range -10~+60°C
- Meter standard JIS D 0203
- Meter size (D X H) D48 X 52 mm
- Meter weight Around 117 g

Item number
Backlight color Display range Panel color



Blue 0~15,000 RPM Black

Option accessory



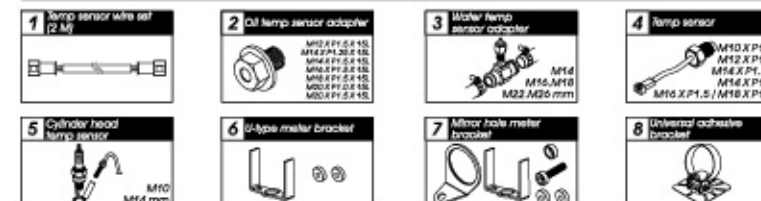
- Tachometer Display range: 0~9,000 RPM (0~16,000 RPM)
Display unit: 100 RPM
- Display internal <0.5 second
- Stroke / piston setting 2 Stroke: 1, 2, 3, 4 pistons
4 Stroke: 1, 2, 3, 4, 5, 6, 8, 10, 12 pistons
- Thermometer Display range: 0~150°C (32~302°F)
Display unit: 0.1°C (°F), °C & °F for alternative
- Display internal <0.5 second
- Supply voltage DC 12V
- Effective temperature range -10~+60°C
- Meter standard JIS D 0203
- Meter size (D X H) D55 X 57 mm
- Meter weight Around 190 g

Item number
Backlight color Display range Panel color



Blue 0~9,000 RPM Black

Option accessory



D55 TACHOMETER

The new eclipse style is focused on the smoke lens design and the white LED Backlight using in the meter. With the new design smoke lens, the meter will look almost black when it is off, so no one could know which meter you install on your bike.

With the high contrasting white LED design, the dial will look very clear in the night time.

The new eclipse tachometer comes with both 16,000 RPM & 9,000 RPM scale for you to choose for your own bike.



Classic

Eclipse style

E-mark approval

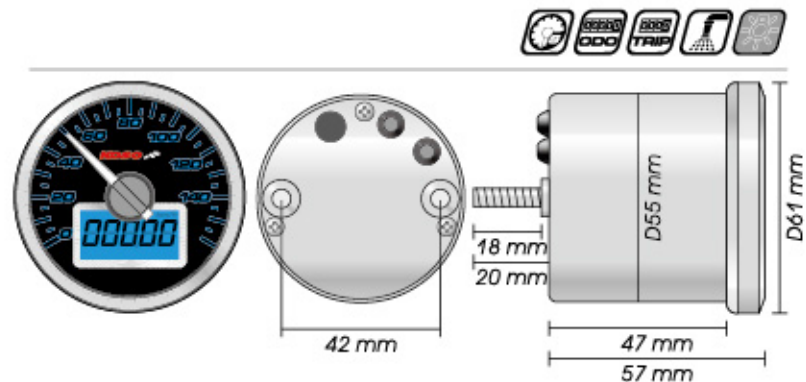
D55 SPEEDOMETER

The new eclipse style is focused on the smoke lens design and the white LED Backlight using in the meter.

With the new design smoke lens, the meter will look almost black when it is off, so no one could know which meter you install on your bike.

With the high contrasting white LED design, the dial will look very clear in the night time.

The new eclipse speedometer comes with both 160 km/h & 260 km/h scale for you to choose for your own bike.



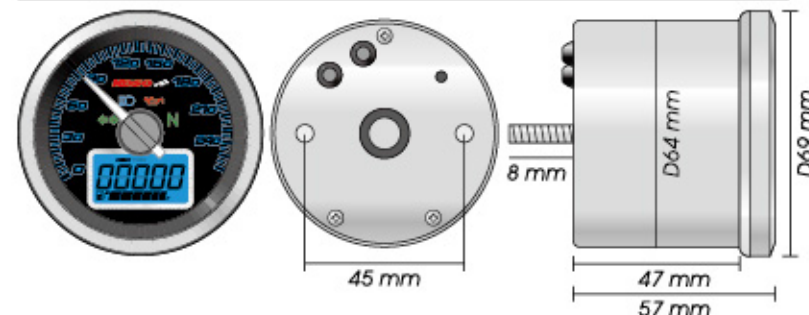
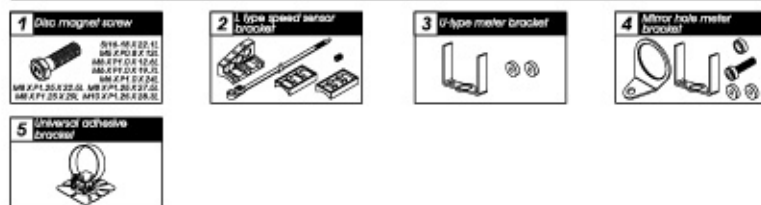
- Speedometer Display range: 0~160 km/h (0~260 km/h)
Display unit: 1 km/h
- Display internal <0.5 second
- Odometer Display range: 0~99999 km,
reset automatically after 99999 km
Display unit: 1 km
- Trip meter Display range: 0~999.9 km,
reset automatically after 999.9 km
Display unit: 0.1 km
- Tire circumference setting
Setting range: 300~2,500 mm
Setting unit: 1 mm • Sensor point: 1~20
- Supply voltage DC 12V
- Effective temperature range -10~+60°C
- Meter standard JIS D 0203
- Meter size (D X H) D55 X 57 mm
- Meter weight Around 190 g

Item number
Backlight color Display range Panel color



Blue 0~160 Black

Option accessory



- Speedometer Display range: 0~160 | 0~260 km/h (mph)
Display unit: 1 km/h (mph)
- Display internal <0.5 second
- Odometer Display range: 0~99999 km (mile)
reset automatically after 99999 km (mile)
Display unit: 1 km (mile)
- Trip meter Display range: 0~999.9 km (mile)
reset automatically after 999.9 km (mile)
Display unit: 0.1 km (mile)
- Tire circumference setting
Setting range: 300~2,500 mm
Setting unit: 1 mm • Sensor point: 1~20
- Fuel level Display range: 6 segment bar graph
Display unit: 16.6 % for each segment
Setting range: 100Ω, 250Ω, 510Ω, 1200Ω, SW
- Supply voltage DC 12V
- Effective temperature range -10~+60°C
- Meter standard JIS D 0203
- Meter size (D X H) D64 X 57 mm
- Meter weight Around 190 g
- Telltales
↔ Repeater (Green)
↔ High beam (Blue)
↔ Oil (Red)
N Neutral (Green)

Item number
Backlight color Display range Panel color



Blue 0~160 Black Blue 0~260 Black

Eclipse style

E-mark approval

D64 SPEEDOMETER

Sometimes it is not convenient for you to find the space to install the telltales after replacing the original meter with other meters. For solving this problem, KOSO make the new 64 mm speedometer series to fit all your demands.

We add the telltales inside the meter, so you could use less space to install the new meter.

The new eclipse style is focused on the smoke lens design and the white LED Backlight using in the meter.

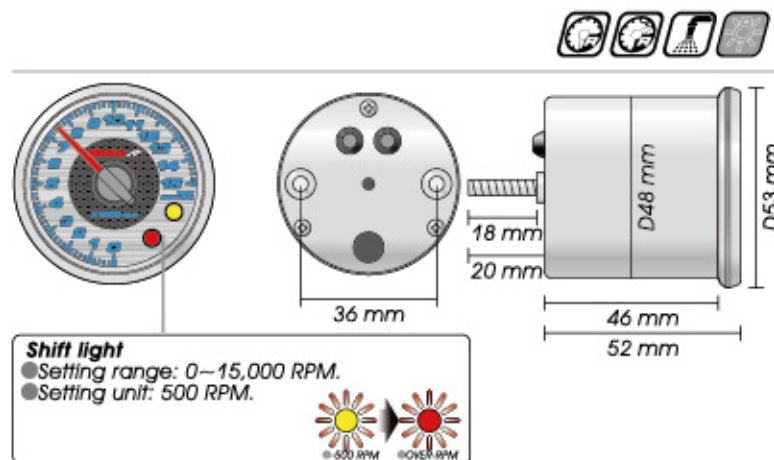
With the new design smoke lens, the meter will look almost black when it is off, so no one could know which meter you install on your bike.

With the high contrasting white LED design, the dial will look very clear in the night time.



D48 TACHOMETER

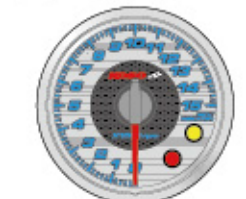
To make the needle stable for the high vibrations, we adopt the stepper motor on all our needle meter. With the auto-scan function, the meter will scan when the engine is turned on. This 15,000 RPM with illuminated needle is very easy to read at night. The instrument also have a rev indicator light, that can be used as a shift light.



Shift light
 ● Setting range: 0~15,000 RPM.
 ● Setting unit: 500 RPM.

- Tachometer Display range: 0~15,000 RPM
Display unit: 500 RPM
- Display internal <0.5 second
- Shift light Setting range: 0~15,000 RPM
Setting unit: 500 RPM
- MAX RPM record Display range: 0~15,000 RPM
- Stroke / piston setting 2 Stroke: 1, 2 pistons
4 Stroke: 1, 2, 3, 4 pistons
- Supply voltage DC 12V
- Effective temperature range -10~+60°C
- Meter standard JIS D 0203
- Meter size (D X H) D48 X 52 mm
- Meter weight Around 117 g

Item number
Backlight color Display range Panel color



Blue 0~15,000 RPM Black

Option accessory



D64 SPEEDOMETER

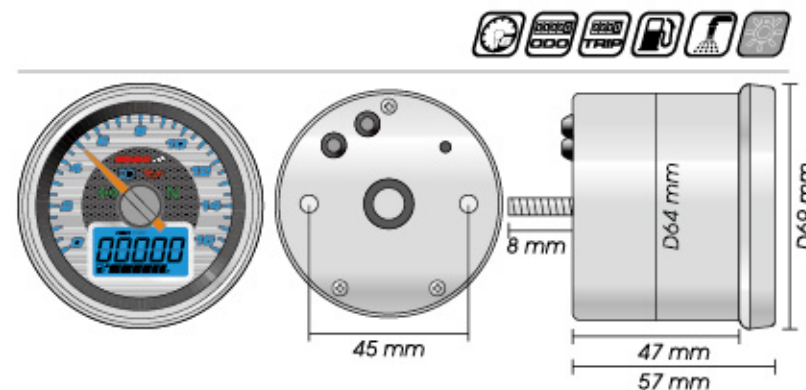
Sometimes it is not convenient for you to find the space to install the telltales after replacing the original meter with other meters.

For solving this problem, KOSO make the new 64mm speedometer series to fit all your demands.

We add the telltales inside the meter, so you could use less space to install the new meter.

The new chrome dial is designed for fitting the speedometer on the custom bike.

With the chrome design, you could get rid of the plastic dial and get a better look chrome to fit your bike.



- Speedometer Display range: 0~160 / 0~260 km/h (mph)
Display unit: 1 km/h (mph)
- Display internal <0.5 second
- Odometer Display range: 0~99999 km (mile)
reset automatically after 99999 km (mile)
Display unit: 1 km(mile)
- Trip meter Display range: 0~999.9 km(mile)
reset automatically after 999.9 km (mile)
Display unit: 0.1 km (mile)
- Tire circumference setting Setting range: 300~2,500 mm
Setting unit: 1 mm • Sensor point: 1~20
- Fuel level Display range: 6 segment bar graph
Display unit: 16.6 % for each segment
Setting range: 100Ω, 250Ω, 510Ω, 1200Ω, SW
- Supply voltage DC 12V
- Effective temperature range -10~+60°C
- Meter standard JIS D 0203
- Meter size (D X H) D64 X 57 mm
- Meter weight Around 190 g
- Telltales
↔ Repeater (Green)
↔ High beam (Blue)
↔ Oil (Red)
N Neutral (Green)

Item number
Backlight color Display range Panel color



Blue 0~160 Chrome Blue 0~260 Chrome



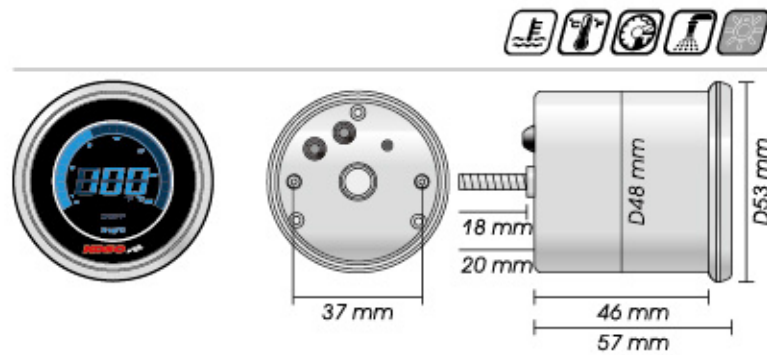
Classic

Black LCD

E-mark approval

DL-01T D48 THERMOMETER

The TEMPERATURE large digits bar makes it easy to read at high speed. LCD can be displayed °C or °F. This nice backlit instrument will warn you before your engine becomes too hot.



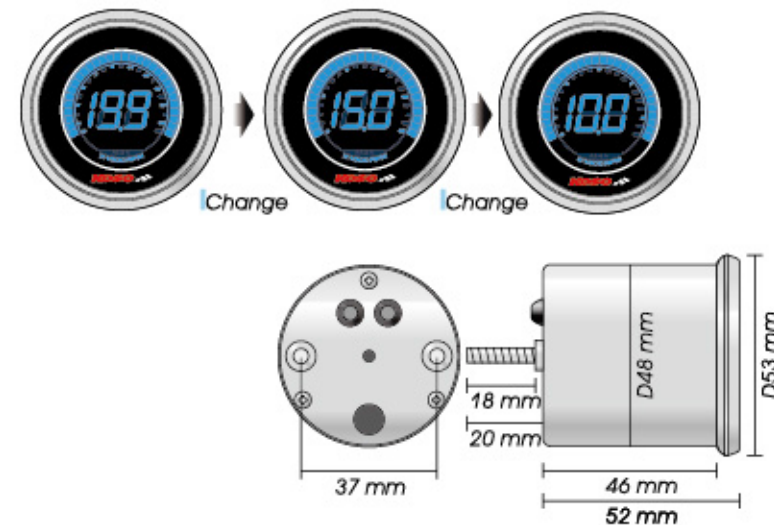
- Thermometer Display range: 0~250°C (32~500°F)
Display unit: 1°C (°F) for alternative
- Bar graph thermometer Display range: 0~250°C (32~500°F)
Display unit: 10°C (20°F)
- Temperature alarm Setting range: 60~250°C (140~482°F)
Setting unit: 1°C (°F)
- Effective voltage DC12V
- Effective temperature range -10~+60°C
- Meter standard JIS D 0203 S2
- Meter size D48 X 52.8 mm
- Meter weight Around 117 g

Item number
Backlight color Display range Panel color



Blue 0~250°C Black

Option accessory



- Tachometer Display range: 0~10,000 / 15,000 / 19,900 RPM
Display unit: 10 RPM
- Display internal <0.5 second
- MAX RPM record Display range: 0~10,000 / 15,000 / 19,900 RPM
- Stroke / piston setting 2 Stroke: 1, 2, 3, 4 pistons
4 Stroke: 1, 2, 3, 4, 5, 6, 8, 10, 12 pistons
- Supply voltage DC 12V
- Effective temperature range -10~+60°C
- Meter standard JIS D 0203
- Meter size (D X H) D48 X 52 mm
- Meter weight Around 117 g

Item number
Backlight color Display range Panel color



Blue 0~20,000 RPM Black

Option accessory



Black LCD

E-mark approval

DL-01R D48 TACHOMETER

The DL-01R tachometer is a new type of LCD that we introduced in 2010. After 2 years of research and development, we came up with this nice RPM meter. The RPM large digits and the REV indicator bar make it easy to read at high speed. The REV indicator bar can be programmed for 10,000, 15,000 or 20,000 RPM recall function will give valuable informations on your engine status.



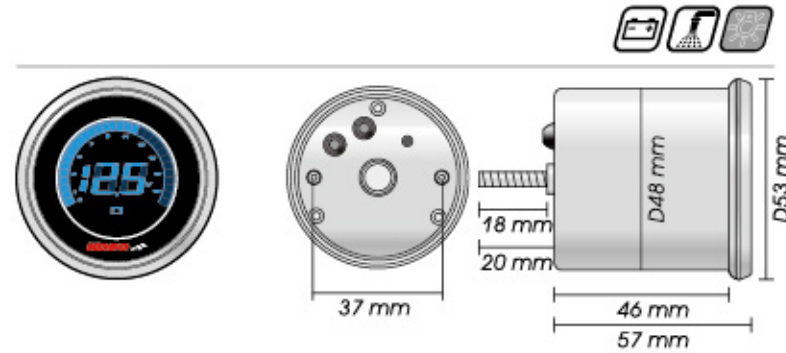
Classic

Black LCD

E-mark approval

D48 VOLT METER

This voltage gauge will give you the status of your battery at all time. The backlight makes it easy to read even at night.



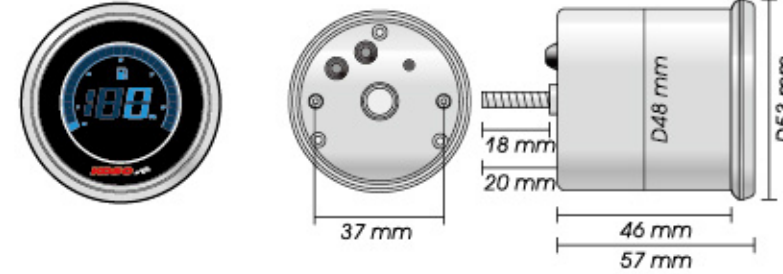
- Volt meter Display range : DC 8.0~19.9 V
Display unit : 0.1 V
- Bar graph volt meter Display range : DC 8.0~19.9 V
Display unit : Around 0.66V per segment
- The low voltage warning setting Setting range : DC 8.0~12.0 V
Setting unit : 0.1 V
- Effective voltage DC12V
- Effective temperature range -10~+60°C
- Meter standard JIS D 0203 S2
- Meter size D48 X 52.8 mm
- Meter weight Around 117 g

Item number
Backlight color Display range Panel color



Blue 8.0-19.9V Black Red 8.0-19.9V Black

Option accessory



- Fuel meter Display range: 0~100%
Display unit : 1%
- Bar graph fuel meter Display range: 0~100%
Display unit : Around 3.3%
- Fuel level warning Setting range: 0~25%
Setting unit: 1%
- Fuel resistance Setting range: 10(100 Ω), 51(510 Ω)
US(Customize)
- Effective voltage DC 12V
- Effective temperature range -10~+60°C
- Meter standard JIS D 0203 S2
- Meter size D48 X 52.8 mm
- Meter weight Around 117 g

Item number
Backlight color Display range Panel color



Blue 0-100% Black Red 0-100% Black

Option accessory



Black LCD

E-mark approval

D48 FUEL METER

The newly design black LCD style meter is designed to match to the street style meter which doesn't come with the fuel meter.

The fuel meter is adjustable for both 100 ohm & 510 ohm fuel sensor system.

Besides that, the new fuel meter comes with the fuel insufficient warning function.

You could make the warning setting according to your demand.



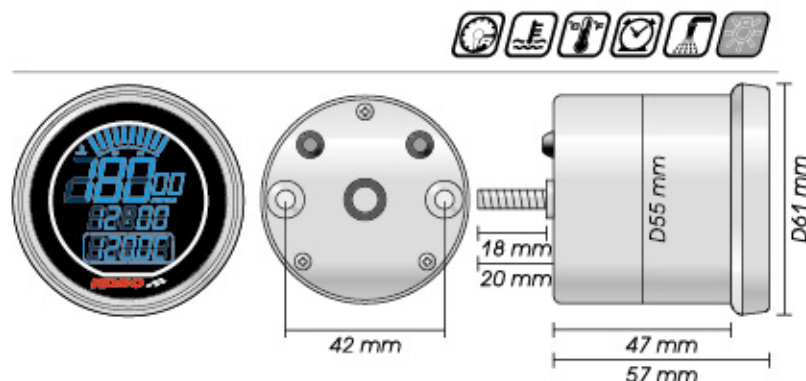
Classic

Black LCD

E-mark approval

DL-01R D55 TACHOMETER

The DL-02R tachometer has been developed with the latest technology. Its unique casing allows the adjust buttons to be right in the front. This makes the DL-02R a very convenient instrument to adjust. The big digits and blue backlight make the DL-02R a very easy gauge to read even at night.



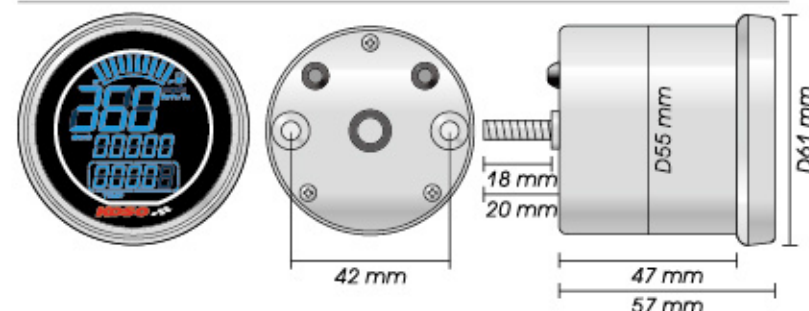
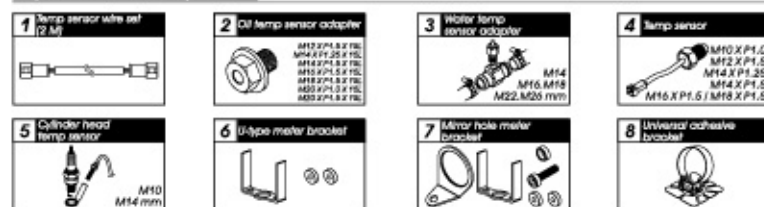
● Tachometer	Display range: 0~18,000 RPM Display unit: 100 RPM
○ Display internal	<0.5 second
○ Stroke / piston setting	2 Stroke: 1, 2, 3, 4 pistons 4 Stroke: 1, 2, 3, 4, 5, 6, 8, 10, 12 pistons
● Thermometer	Display unit: °C & °F for alternative
● Digital thermometer	Display range: 0~120°C (32~248°F) Display unit: 0.1°C(°F)
● Thermometer level	Display range: 20~120°C (68~248°F), 10 segment bar graph Display unit: 10°C (50°F) for each segment
○ Display internal	<0.5 second
● Clock	24 H
● Supply voltage	DC 12V
● Effective temperature range	-10~+60°C
● Meter standard	JIS D 0203
● Meter size (D X H)	D55 X 57 mm
● Meter weight	Around 190 g

Item number
Backlight color Display range Panel color



Blue 0~18,000 RPM Black

Option accessory



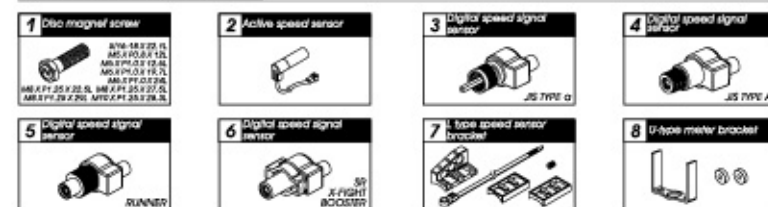
● Speedometer	Display range: 0~360 km/h (0~223 MPH) Display unit: km/h & MPH for alternative
○ Display internal	<0.5 second
○ Odometer	Display range: 0~99999 km (mile), reset automatically after 99999 km (mile) Display unit: 1 km (mile)
○ Trip meter	Display range: 0~999.9 km (mile), reset automatically after 999.9 km (mile) Display unit: 0.1 km (mile)
○ Tire circumference setting	Setting range: 300~2,500 mm Setting unit: 1 mm • Pulse setting: 1~60
● Fuel level	Display range: 10 segment bar graph Display unit: 10 % for each segment Setting range: 100 Ω, 510 Ω, no display
● Supply voltage	DC 12V
● Effective temperature range	-10~+60°C
● Meter standard	JIS D 0203
● Meter size (D X H)	D55 X 57 mm
● Meter weight	Around 190 g

Item number
Backlight color Display range Panel color



Blue 0~360 km/h Black

Option accessory



Black LCD

E-mark approval

DL-01S D55 SPEEDOMETER

This digital instrument gives the basic functions such as speed, tripmeter, odometer and fuel level. Its round shape makes it perfect for motorcycles, ATV's and scooters. This new type of display will makes your bike look different! The facing of the instrument become totally dark when the ignition is off.



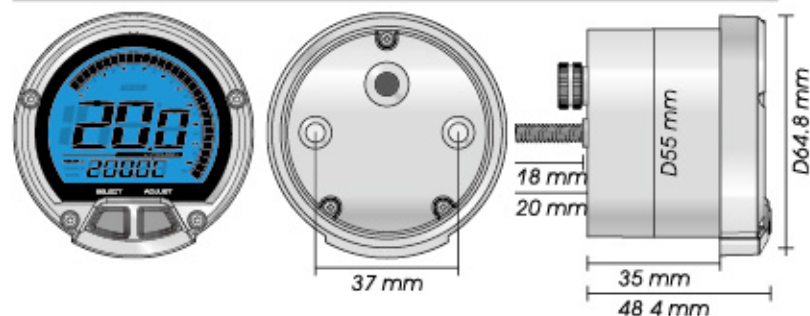
Classic

Black LCD

E-mark approval

DL-02R D55 TACHOMETER

The DL-02R tachometer has been developed with the latest technology. Its unique casing allows the adjust buttons to be right in the front. This makes the DL-02R a very convenient instrument to adjust. The big digits and blue backlight make the DL-02R a very easy gauge to read even at night.



- Digital tachometer Display range: 0~20,000 RPM
Display unit: 100RPM
- Tachometer level Display range: 0~10,000 / 15,000 / 20,000 RPM for alternative
0~10,000 RPM, 30 segment bar graph
Display unit: 333 RPM for each segment
0~15,000 RPM, 30 segment bar graph
Display unit: 500 RPM for each segment
0~20,000 RPM, 30 segment bar graph
Display unit: 666 RPM for each segment
- Display internal <0.5 second
- Stroke / piston setting 2 Stroke: 1, 2, 3, 4 pistons
4 Stroke: 1, 2, 3, 4, 5, 6, 8, 10, 12 pistons
- Thermometer Display range: 0~250°C (32~482°F)
Display unit: 0.1°C (°F) for alternative
- Display internal <0.5 second
- Clock 24 H
- Supply voltage DC 12V
- Effective temperature range -10~+60°C
- Meter standard JIS D 0203 S2
- Meter size (D X H) D55 X 48.4 mm

Item number
Backlight color Display range Panel color



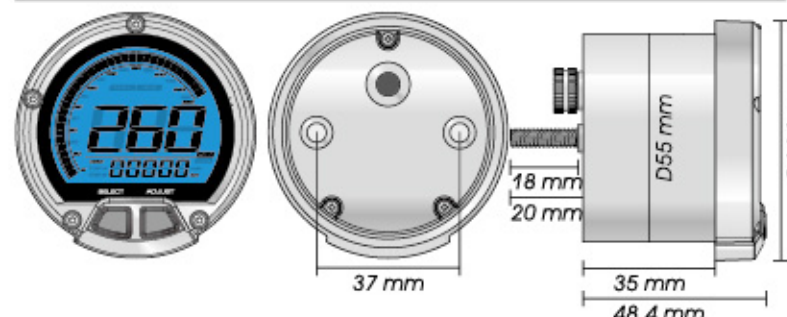
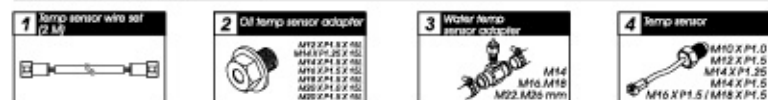
Clockwise

Blue 0~20,000 RPM Black Blue 0~20,000 RPM Chrome

Anti-clockwise

Blue 0~20,000 RPM Black Blue 0~20,000 RPM Chrome

Option accessory



- Speedometer Display range: 0~260 km/h (0~160 MPH)
Display unit: km/h & MPH for alternative
- Display internal <0.5 second
- Odometer Display range: 0~99999 km (mile),
reset automatically after 99999 km (mile)
Display unit: 1 km (mile)
- Trip meter Display range: 0~999.9 km (mile),
reset automatically after 999.9 km (mile)
Display unit: 0.1 km (mile)
- Tire circumference setting Setting range: 300~2,500 mm
Setting unit: 1 mm - Pulse setting: 1~60
- Top speed record Display range: 0~260 km/h (0~160 MPH)
- AVE speed Display range: 0~260 km/h (0~160 MPH)
- Riding time Display range: 0~99'59"99 second.
- Fuel meter Display range: 0%~100%
Setting range: 100 Ω, 510 Ω, no display
- Supply voltage DC 12V
- Effective temperature range -10~+60°C
- Meter standard JIS D 0203 S2
- Meter size (D X H) D55 X 48.4 mm

Item number
Backlight color Display range Panel color



Blue 0~260 km/h Chrome Blue 0~260 km/h Black

Option accessory



Black LCD

E-mark approval

DL-02S D55 SPEEDOMETER

The DL-02S speedometer has been developed with the latest technology. Its unique casing allows the adjust buttons to be right in the front. This makes the DL-02S a very convenient instrument to adjust. The big digits and blue backlight make the DL-02S a very easy gauge to read even at night.



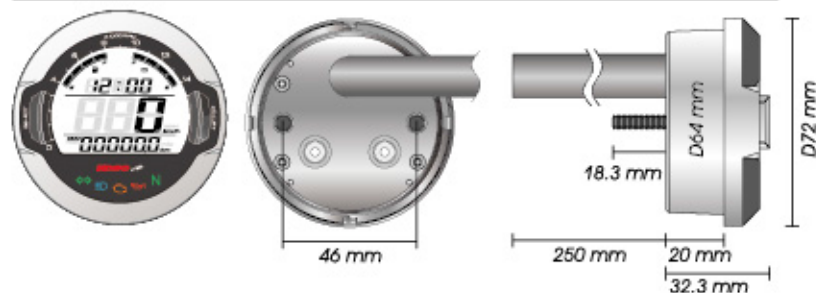
Classic

GP style

E-mark approval

D64 DL-03SR

The DL-03SR GP style speedo feature about all the functions you need to go on the street. The large digits, indicator lights, and backlight make this instrument easy to read, even at night. The universal speed sensor and bracket allow to install this meter on about any applications. Compact, lightweight, easy to operate, this is our DL-03SR GP style speedometer.



- Speedometer Display range: 0~360 km/h (0~223 MPH)
Display unit: km/h & MPH for alternative
- Odometer Display range: 0~99999.9 km (mile),
reset automatically after 99999 km (mile)
Display unit: 0.1 km (mile)
- Trip meter A/B Display range: 0~999.9 km (mile),
reset automatically after 999.9 km (mile)
Display unit: 0.1 km (mile)
- Fuel / Remaining distance Display range: 99.9~0 km (mile)
Display unit: 0.1 km (mile)
- Tire circumference setting Setting range: 300~2,500 mm
Setting unit: 1 mm. Pulse setting: 1~20
- Tachometer Display range: 15 levels
- Fuel meter Display range: 4 levels
- Fuel resistance Setting range: 100Ω, 250Ω, 510Ω, 1,200Ω
- Clock 24 H
- Digital Volt meter Display range: DC 5~24 V. Flashing warning
when Voltage lower than 8 V or higher than 18 V
Display range: 4 levels
Display unit: 1 level (low) - DC 11.6 V~12.0 V
2 level - DC 12.1 V~12.5 V
3 level - DC 12.6 V~13 V
4 level (high) - DC 13.1 V
- Volt meter Display range: 4 levels
Display unit: 1 level (low) - DC 11.6 V~12.0 V
2 level - DC 12.1 V~12.5 V
3 level - DC 12.6 V~13 V
4 level (high) - DC 13.1 V
- Backlight brightness adjust Setting range: 1-5 (Darkest) ~ 5-5 (Brightest)
- Effective voltage DC 12 V
- Effective temperature range -10~+60°C
- Meter standard JIS D 0203 S2
- Meter size (D X H) D72 X 32.3 mm
- Meter weight Around 240 g
- Telltales N Neutral(green) EOBd (Amber) Oil (Red)
H High beam (Blue) Repeater(Green)

Item number
Backlight color Display range Panel color



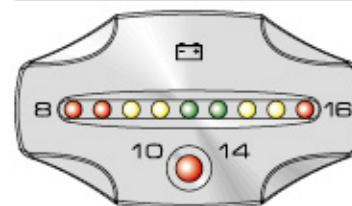
White



Black

White

Black



- Voltage Indicator Display range : DC 8~16 V
Display unit : DC 1 V
- Safe voltage display range The LED zone of DC 12~13 V
The LED showing on Green
- Supply voltage DC 12V
- Effective temperature range -10~+60°C
- Meter standard JIS D 0203
- Meter size (W X L X H) 46 X 26 X 12 mm
- Meter weight Around 24.2 g

Item number
Backlight color Display range Panel color



Black



Silver

Mini style

E-mark approval

CNC VOLT

As you know the bike is quite heavy, so it is very important for you to monitor the situation of the battery all the time to avoid that you need to push your bike on the road. The new LED volt meter we designed comes with the CNC machining case could fit your bike well and offer you the real time information about your battery. With the warning light design, you could easily know that the battery is in good or bad condition and react on time.



Tachometer installation instruction

RPM sensor

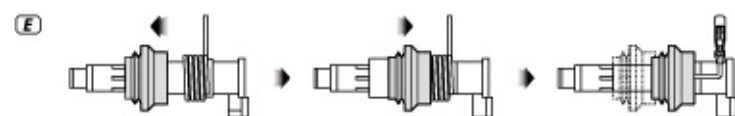
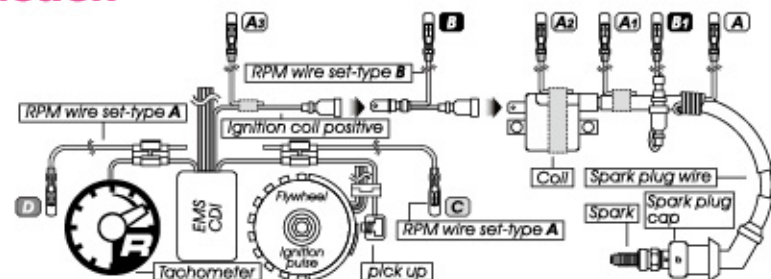
INSTRUCTIONS

To improve the possibility to use the tachometer on different machines, we provide you 3 different ways to install the rpm sensor wiring. (only available on RX1N, RS DYNO meter dyno edition, and GP style universal tachometer 48mm & 55mm now.)

You could choose to wrap the wiring on the spark plug wire, connect to the ignition coil positive wire, or the pick up.

We know this may still not enough to fit every different model on the world, but we are doing our best to make it possible. the new KOSO GP style universal tachometer could fit most of the scooter and ATV with CDI ignition system on the market. there are different ignition systems exit on the market, and we will keep developing the new product for it.

as for our old product, we will adopt the new technology when upgrading them.



SCOOTER

Manufacturer	Model	A	B	C	Setting
YAMAHA	JOG 50	O	Orange	White/Red	2C-1P
	JOG 90	O	Orange	White/Blue	2C-1P
	JOG 100	X	X	White/Blue	2C-1P
	RS 100	O	X	White/Blue	2C-1P
	MAJESTY 125	O	Orange	White/Blue	2C-1P
YAMAHA/MBK	SV MAX 125	O	X	X	2C-1P
	CYGNUS 125	X	X	White/Green	2C-1P
	GTR 125	O	X	White/Blue	2C-1P
	AEROX 50	O	X	White/Blue	2C-1P
	SLIDER 50	O	-	X	2C-1P
GILERA	CHOI NORI	O	White/Blue	White/Red	2C-1P
	RUNNER 50	O	X	O	2C-1P
PEUGEOT	X-FIGHT 50	X	Yellow/Blue	Blue/Yellow	2C-1P

A TYPE Wrap the rpm wire onto the ignition cable wire.

B TYPE Connect the rpm wire to the coil positive wire.

C TYPE Connect the rpm wire to the pick up.

New tachometer test result:
ATV

Manufacturer	Model	A	B	C	Setting
HONDA	Predator 500	O	O	O	2C-1P
	Sportsman 600	X	O	X	2C-1P
	Sportsman 700	X	O	X	2C-1P
YAMAHA	TRX 400 EX	O	O	O	2C-1P
	TRX 450 R	O	O	O	2C-1P
YAMAHA	YZF 450	O	X	X	2C-1P
	RAPTOR	O	O	X	2C-1P
BOMBARDIER	LTZ 400	O	O	X	2C-1P
	DS 650	O	O	X	2C-1P

Main switch wiring reference:

	Power	Key on	Ground
YAMAHA	Red	Brown	Black
HONDA	Red	Red/Black	Green
SUZUKI	Red	Black	Green
KAWASAKI	White	Brown	Black/Yellow
KYMCO	Red	Black	Green
SYM	Red	Black	Green
PGO	Red/White	Orange	Black

NOTE The color listed above may differ depending on the model.

RPM wiring reference:

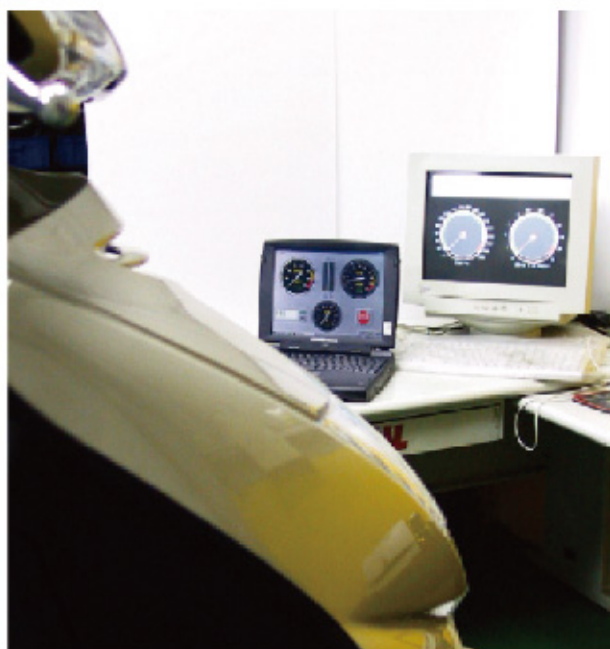
YAMAHA	Yellow/Black	BUELL	Ground
HONDA	Yellow/Green	CAGIVA	Gray/Green
SUZUKI	Yellow / Blue	DUCATI	Gray/Green
KAWASAKI	Light Blue	H-D	Pink
APRILIA	Gray / Violet	MV	Gray/Yellow
BMW	Black	TRIUMPH	Red
BENELLI	Gray/Violet		

NOTE The color listed above may differ depending on the model.

Fuel Indicator wiring reference:

YAMAHA	Green	KYMCO	Yellow/White
HONDA	Yellow/White	SYM	Yellow/White
SUZUKI	Yellow/White	PGO	Gray
KAWASAKI	Black/L Green		

⚠ The fuel sensor is electronic type, please don't parallel connection with the original- otherwise the fuel gauge won't display. **The wrong installation of the fuel wiring may cause the meter break.**



RPM sensor

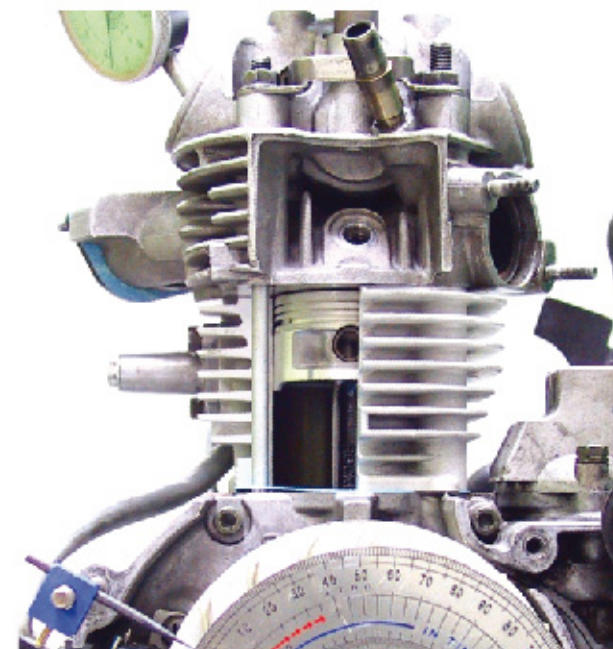
INSTRUCTIONS

For the models comes with the new ignition coil, please wrap the RPM wire at least 5 times around the spark plug as the above drawing.

For the model with the normal coil with spark plug wire, please wrap the sensor wire around 3-5 times on the spark plug wire to get the signal.

If you can't catch a good signal (EX. the meter stopped counting the time after some times) from the spark plug wire, you could also try the 3 different methods showed to get a better signal, too.

For the model comes with the new ignition coil (the type without the spark plug wire), please follow the above 3 methods showed on drawing E to catch the signal.



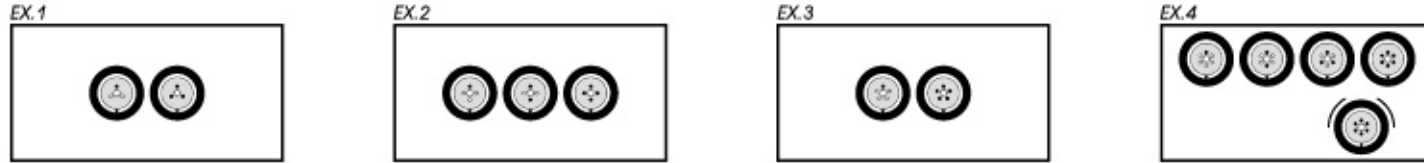
SPEED SENSOR

Passive speed sensor instruction

The more magnet sensor points are, the less the display interval is. when installing the magnet, please put the magnet with N-mark side face the outside and put them averagely to avoid wrong signal.

- EX. 1 If your disk has 3 screws, you could install 1 or 3 magnets to catch the speed.
- EX. 2 If your disk has 4 screws, you could install 1-2 or 4 magnets to catch the speed.
- EX. 3 If your disk has 5 screws, you could install 1 or 5 magnets to catch the speed.
- EX. 4 If your disk has 6 screws, you could install 1-2-3 or 6 magnets to catch the speed.

After finishing the magnet installation and sensor point setting, please move your tire to test the speedometer work or not.



Passive speed sensor

Model	Length
A. SH-01 (water-proof connector)	900mm
B. (3 Pin connector)	1,150mm
	1,350mm
	1,550mm
	1,750mm
	2,000mm
	4,000mm

B. SH-01

Length
900mm
1,150mm
1,350mm
1,550mm
1,750mm
2,000mm
4,000mm

Reed speed sensor (FOR EX Series)

A. Length 1450mm

Reed petal speed sensor (FOR DB02)

Length 1450mm

Active speed sensor instruction

The active speed sensor could be installed by the metal parts to detect the speed.

- EX. 1 The disc screw.
- EX. 2 The disc to detect the disc gap. (Please make sure the distances between the gaps are the same in advance to avoid wrong speed signal.)
- EX. 3 The sprocket to detect the disc gap. (Please make sure the distances between the gaps are the same in advance to avoid wrong speed signal.)

We will suggest you to catch the speed from the disc screws. The more the sensor points are, the better the speed accuracy is. The maximum sensor points the speed sensor could detect is 60 points per turn.



Active speed sensor

Model	Length
A. SA-01 (water-proof connector)	900mm
B. (3 Pin connector)	1,150mm
	1,350mm
	1,550mm
	1,750mm
	2,000mm
	4,000mm

B. SA-01 (3 Pin connector)

Length
900mm
1,150mm
1,350mm
1,550mm
1,750mm
2,000mm
4,000mm

A. SA-07 (water-proof connector)

Length
900mm
1,150mm
1,350mm
1,550mm
1,750mm
2,000mm
4,000mm

B. SA-07 (3 Pin connector)

Length
900mm
1,150mm
1,350mm
1,550mm
1,750mm
2,000mm
4,000mm

NEW !

A. SA-09 (water-proof connector)

Length
1,350mm

ACCESSORY

SPEED SENSOR & ACCESSORY

NEW !



GPS Speed signal converter kit

GPS Speed signal converter only

GPS transmitter only



L type
Speed sensor bracket

sensor
R20
R20I25



S type
Speed sensor bracket

Size
M8
M10



Sprocket magnet screw

sensor
M6 X P1.0 X 16.5L
M6 X P1.0 X 14L
M6 X P1.0 X 19.6L
M6 X 7.6L



Disc magnet screw

sensor	Pcs.
5/16 X P18 X 18.25L	1
M5 X P0.8 X 12L	1
M8 X P1.25 X 29L	1
M8 X P1.25 X 29L	2
M8 X P1.25 X 22.5L	1
M8 X P1.25 X 27.5L	1
M6 X P1.0 X 24L	1
M6 X P1.0 X 19.7L	1
M6 X P1.0 X 12.6L	1



Magnet

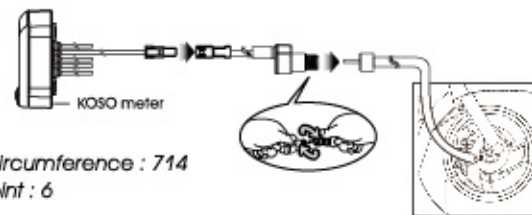
Size	Pcs.
D6 X 5 mm	3
D9 X 2.5 mm	1
D10 X 3 mm	1
D15 X 5 mm	1
D6 X 5 mm	1



Magnet & E ring

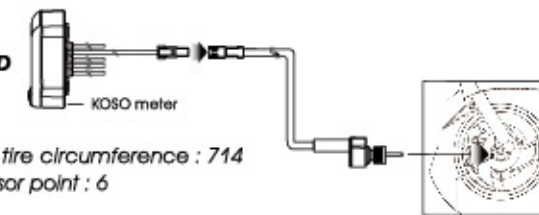
Size
D11 X 6.5 mm

TYPE A-C



- The tire circumference : 714
- Sensor point : 6

TYPE D

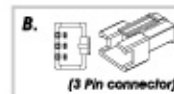


- The tire circumference : 714
- Sensor point : 6



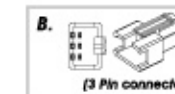
Speed sensor
(for Triumph BMW)

Model
A. 900 mm
B. 900 mm



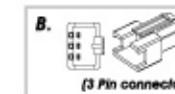
Speed sensor
(for BMW)

Model
A. 900 mm
B. 900 mm



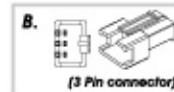
Speed signal
converter A

Model
SR.X-FIGHT.BOOSTER A
SR.X-FIGHT.BOOSTER B



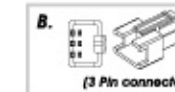
Speed signal
converter B

Model
A. Runner
B. Runner



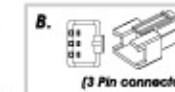
Speed signal
converter C

Model
A. SC-01
B. SC-01



Speed sensor
(for Triumph BMW)

Model
A. SC-51
B. SC-51

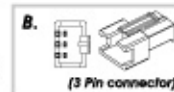


NEW !



Analog to digital
signal converter

Model
A
B



LAMBDA SENSOR & ACCESSORY



Active Bosh O² Sensor



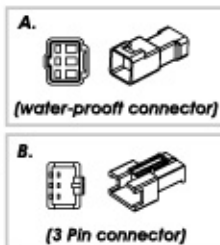
Race type O² Sensor



O² Sensor adaptor screw kit



Wide band O² Sensor

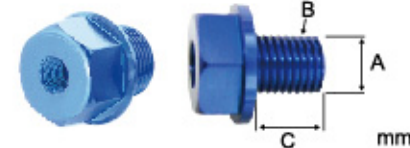


O² Signal extension wire

Model

A.

B.



Temperature sensor adapter

A	B	C
M12 x P1.5		15L
M14 x P1.25		15L
M14 x P1.5		15L
M16 x P1.5		15L
M18 x P1.5		15L
M20 x P1.0		15L
M20 x P1.5		15L



Temperature sensor
0~250°C (With water-proof connector)

Size
PT 1/8 X 28
PT 3/8 X 19
M10 X P1.0
M10 X P1.25
M12 X P1.5
M14 X P1.25
M14 X P1.5
M16 X P1.5
M18 X P1.5



Temperature sensor
0~150°C

Size
PT 1/8 X 28
M10 X P1.0
M10 X P1.25
M12 X P1.5
M14 X P1.25
M14 X P1.5
M16 X P1.5
M18 X P1.5



Water temp adapter
(With Temperature sensor)

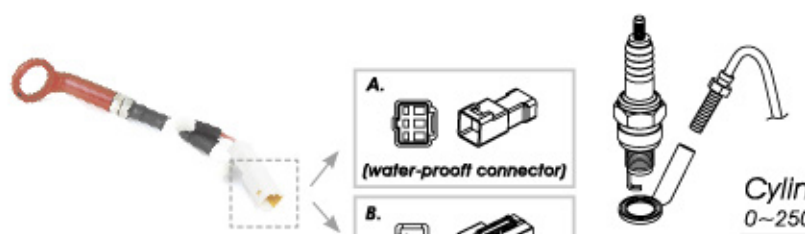
Size
14 mm
16 mm
18 mm
22 mm
26 mm



Water temp adapter

Size
14 mm
16 mm
18 mm
22 mm
26 mm

TEMPER SENSOR & ACCESSORY



Cylinder head temp sensor
0~250°C

Size
A. 10 mm
14 mm
B. 10 mm
14 mm

A. (water-proof connector)
B. (3 Pin connector)



EGT Sensor
200~1000°C

Type
Sport




EGT Sensor
200~1000°C

Type
Race



EGT Sensor clamp

Type	Size
Sport	40-64 mm
Sport	60-80 mm

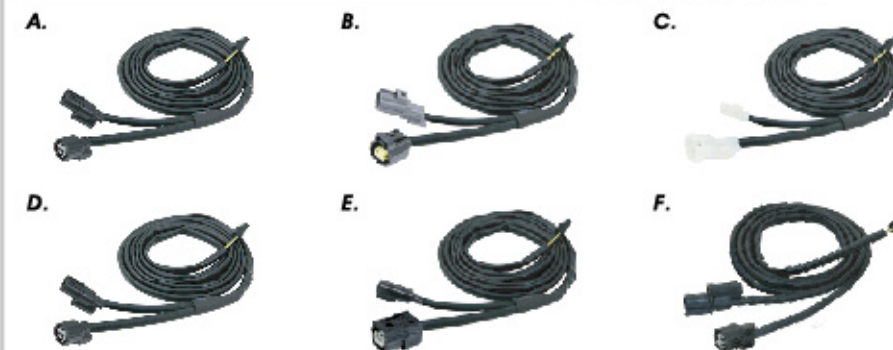


EGT Sensor clamp

Type	Size
Race	21-38 mm
Race	40-64 mm

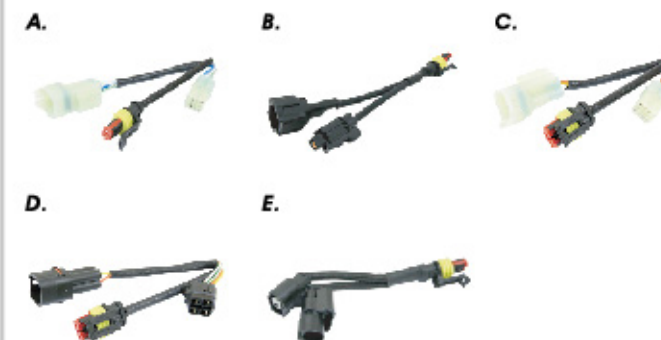
Adapter wire for cylinder head temp

- Type
- A. YAMAHA - CYGNUS, BWS, GTR, MIO, NEW CUXI
 - B. YAMAHA - S-MAX
 - C. KYMCO - RACING 150, VJR, QUANNON
 - D. SYM - RX 110 / HONDA - SCOOPY
 - E. HONDA - PCX, VARIO
 - F. HONDA - MSX



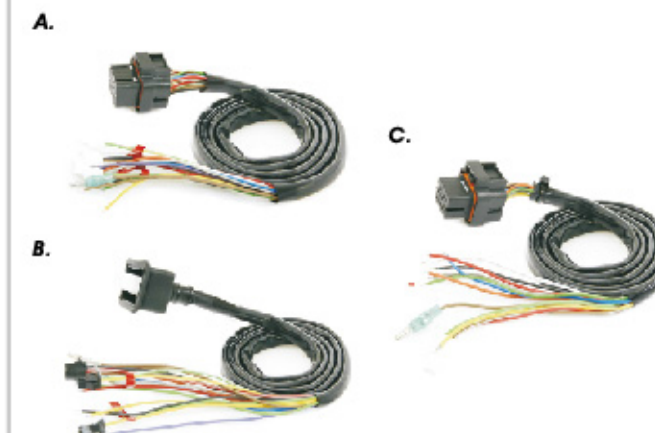
Adapter wire for A/F ratio

- Type
- A. YAMAHA - CYGNUS, BWS, RS
 - B. YAMAHA - MIO, NEW CUXI
 - C. SYM & KYMCO
 - D. SUZUKI - V125
 - E. HONDA - PCX, GROM



Main wire

- Model
- A. RX2N
 - B. RX2N, RX2
 - C. DB-01R



WIRE HARNESS

Temp Sensor wire set (JST TYPE)
Size
105 mm

Temp Sensor wire set
Size
1 M
2 M

RPM wire set (Type A)

RPM wire set (Type B)

RPM wire set (Type A)

RPM wire set (Type B)

RPM wire set (Type A)

RPM wire set (Type C)

Speed sensor extension wire set
Size
100 mm

Shift light
Size
D48 mm
D55 mm

Battery box
Size
UNIVERSAL

Connect terminal

CHARGER & SWITCHES

Fog light switch (For 7/8 & 1 inch)
Type
Handlebar

NEW !

CNC Dual buttons switch (For 7/8 & 1 inch)
A. water-proof connector B. 3 Pin connector
Connector
A B
no connector

CNC switch (For 7/8 & 1 inch)
A. water-proof connector B. 3 Pin connector
Connector Type
A One button
B One button

External extension button
Size
water-proof

Fog light switch (For Aurora LED Fog Light)
Size
For Aurora LED Fog Light

Dual Port USB Charger (2A)
Automatic power off
11.5 V
12.5 V
12.5 V

USB Charger (2A)
Automatic power off
11.5 V

CNC USB charger holder
Color
Black
Red

NEW !

Dual Port USB Charger support quick charge
Automatic power off
11.5V

METER BRACKET



Meter bracket
Model
Rx2



Meter bracket
Model
RX1N, 2N, XR-SRN



Meter bracket
Model
XR-SR, XR-S



Meter bracket
Model
EGT, DB-01 / R



Handle bar meter bracket
Model Handbar size
RX1N, 2N, XR-SRN
7/8"
1 1/8"



Meter bracket
Model
XR-SR, XR-S, RS DYN0



Handle bar meter bracket
Model Handbar size
RX1N, 2N, XR-SRN
7/8"
1 1/8"



Handle bar meter bracket
Model Handbar size
EGT, DB-01 / R
7/8"
1 1/8"



Meter bracket (For TNT meter)
Model
TNT style



Meter bracket (For D1 meter)
Model
7/8" (22.2mm)
1" (25.4mm)



Meter bracket (For switch)
Model
Mini style



Meter bracket (For switch)
Model
Mini style



D type meter bracket
Model
D48mm
D55mm
D64mm



Handle bar meter bracket
Model Handbar size
Mini style 7/8"
1 1/8"



Screw type Adjustable meter bracket
Model
D48mm
D55mm
D64mm



Adhesive type Adjustable meter bracket
Model
D48mm
D55mm
D64mm



V type meter bracket
Model
D48-55 mm
D64 mm



U type Meter bracket
Model
D48mm
D55mm
D64mm
For D102

Heater Grip



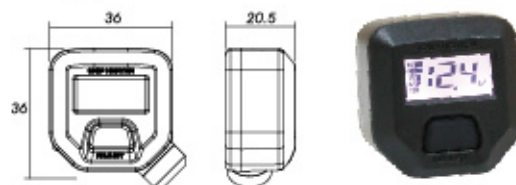
THE LCD SWITCH FEATURES!

Instead of a simple switch, the new LCD switch could offer you the real time voltage information for you to monitor the bike battery condition all the time. Despite displaying the voltage, you could also make the setting to have a voltage warning when the voltage drop during the riding. With the LCD display, it will be easier for you to make different setting and notice the heater situation right away.

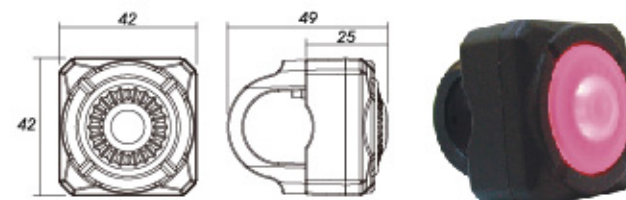
Of course – this is a heater switch, so we make more functions on the heater function, too. With the Quick Heater function, you could make the heater grip heat at full speed to reach your setting and then keep the temperature with your setting with the all the Quick Heat function on the new LCD switch.

The switch could work not only with the Koso heater grip but also most of the heater grips on the market! If you are not satisfied with the original switch from other suppliers, you could also take the chance to purchase the switch to experience the Koso product quality. We hope that this experience will bring you to purchase the Koso heater grip for you to have the chance to experience the total solution from Koso for the heater product!

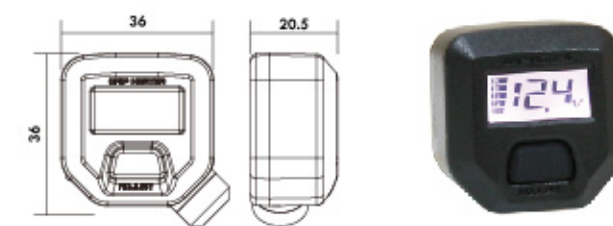
NEW! H type (Multi function Switch)



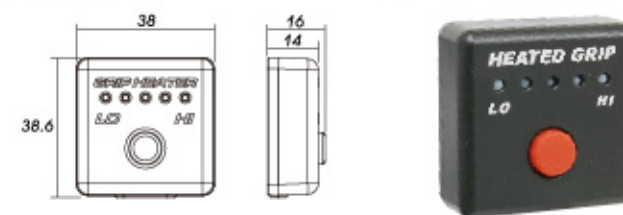
D type (Luminous 2 Levels Switch)



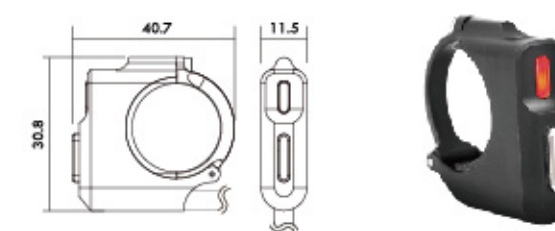
H type



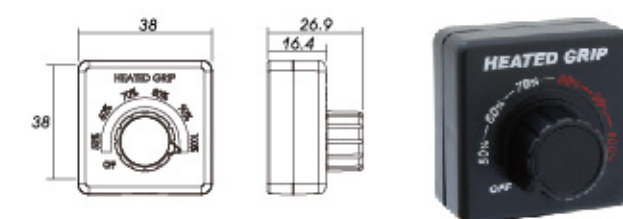
E type (5 Levels Electronic Switch)



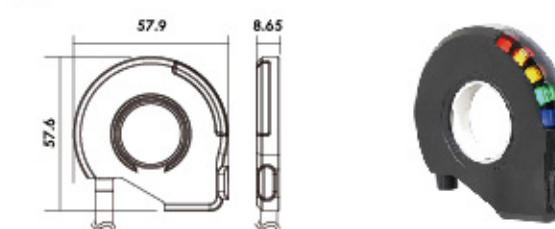
J type



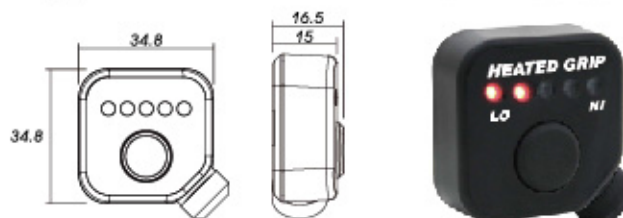
F type (Multi-levels Switch)



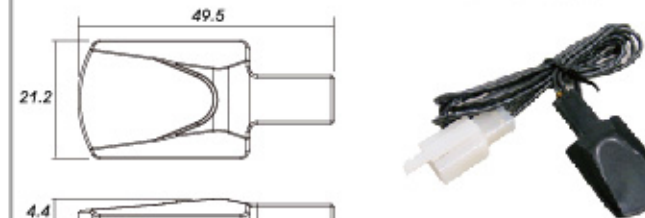
K type



G type



THUMB HEATER KIT



Heater Grip

HG-N3



HG-09



HG-N4



HG-11



HG-N5



HG-12



HG-07



HG-13



HG-08



TITAN



Bike



X-Glavs



Removable



Heated Gloves



Include Throttle Pipe & Adaptor

HG-14



HG-15



SNOW / Dirt Bike



Heated Grips with Integrated Switch

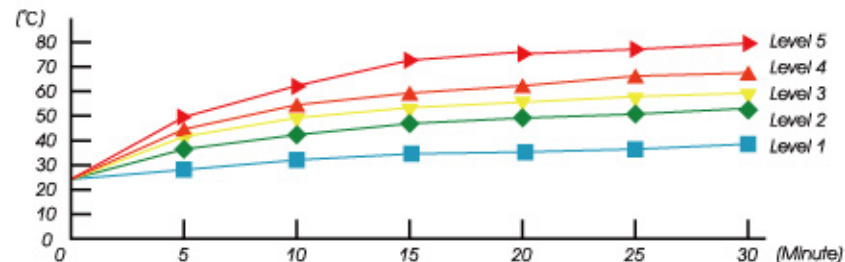


The Integrated Switch Features!

Our integrated switch heated grips are designed with an integrated adjustable thumb switch, which allows them to easily fit most motorcycles on the market. The integrated thumb switch gives the opportunity to the rider to adjust the temperature level without removing his hands from the handlebar for a safer ride.

Specification

- Low Battery Warning Activate Condition: When voltage lower than 11.5V and more than 5 seconds.
- Heating Output: Turn-Off
- Indicator: Purple Light Flashing
- Short Press During Warning: Temporary deactivate the warning.
- Short Press During Turn-Off: Purple light flashing 3 times and turn-off.



HG-13 with Integrated Switch



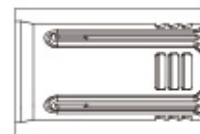
Size

7/8" + 1" L120mm
7/8" + 1" L130mm

Item number

1 0
+ A X 0 4 1 0 1 0 +
1 0
+ A X 0 4 1 1 1 0 +

HG-13



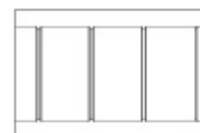
TITAN

● For Harley-Davidson®

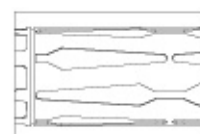


TITAN-X

● For Harley-Davidson®

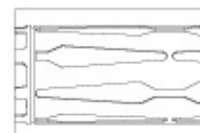


APOLLO



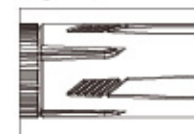
APOLLO X

● For ATV & Snowmobile

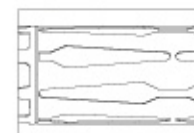


Include Throttle Pipe & Adaptor

HG-14



HG-16

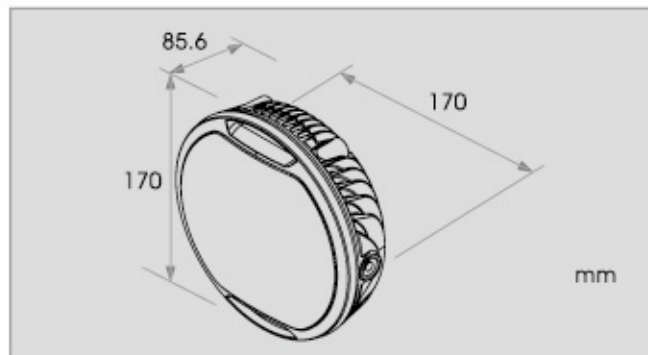




LED Headlight



Body Size

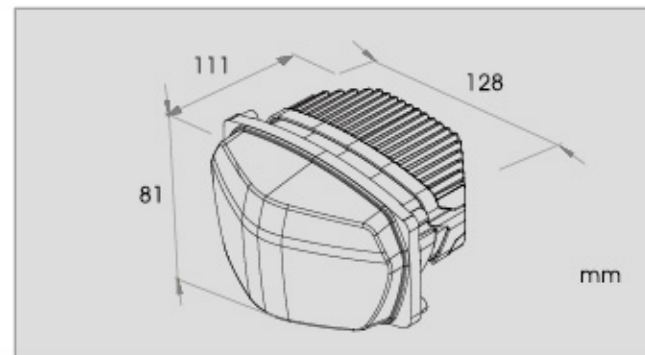


Thunderbolt LED Headlight

Body Color	Lens	Item number
Black	Clear	* GA 0 0 2 0 0 0 *



Body Size



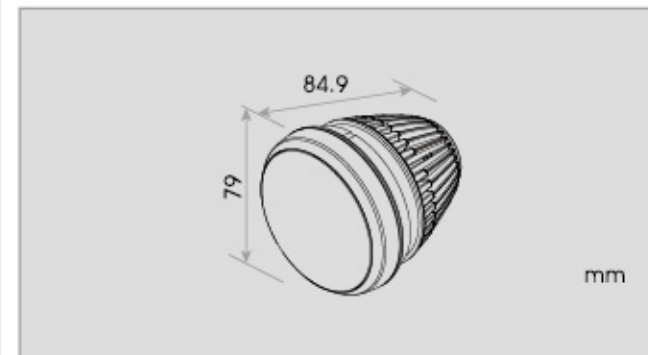
LED Headlight

Body Color	Lens	Item number
Black	Clear	* GA 0 0 3 0 0 0 *

NEW !



Body Size

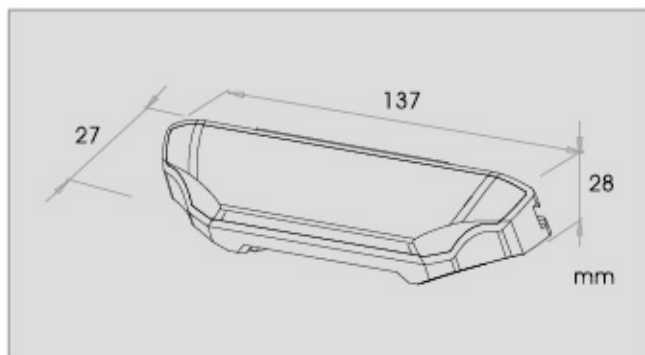


Hawkeye LED Projector Headlight

Body Color	Lens		Item number
Black	Clear	Low Beam	* GA 0 0 4 0 0 0 *
Black	Clear	High Beam	* GA 0 0 5 0 0 0 *



Body Size



LED Daytime Running Light & Front Position Light

Body Color	Lens
Black	Clear

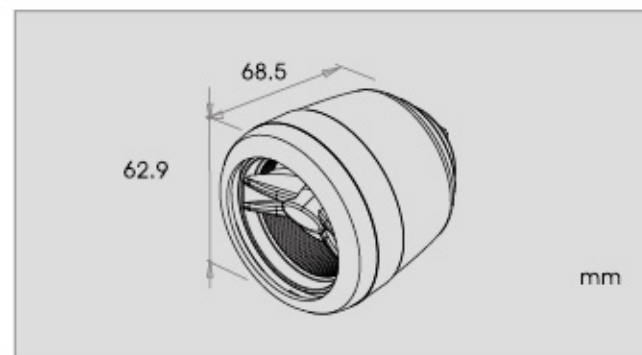
Aurora LED Fog Light



NEW!



Body Size

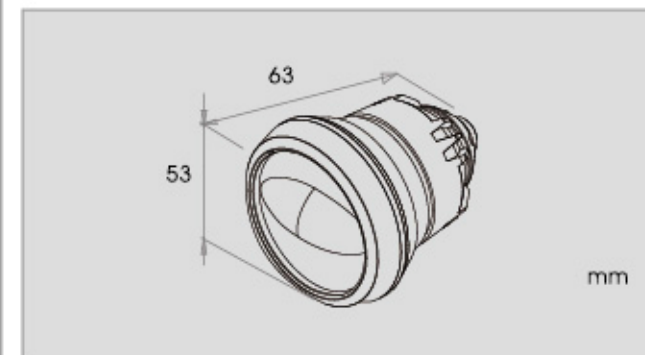


Star fog light

Body Color	Lens	pcs.	Accessories
Black	Clear	1	Frame



Body Size



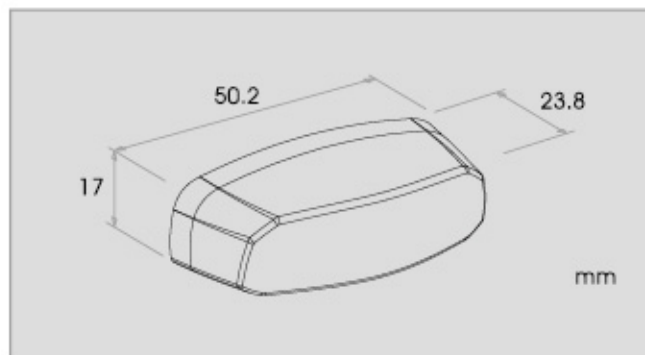
Aurora fog light

Body Color	Lens	pcs.	Accessories
Black	Clear	1	Frame
Black	Clear	2	Frame / Switch / DRL Mounting System
Black	Clear	1	Switch / Switch

LED Taillight



Body Size

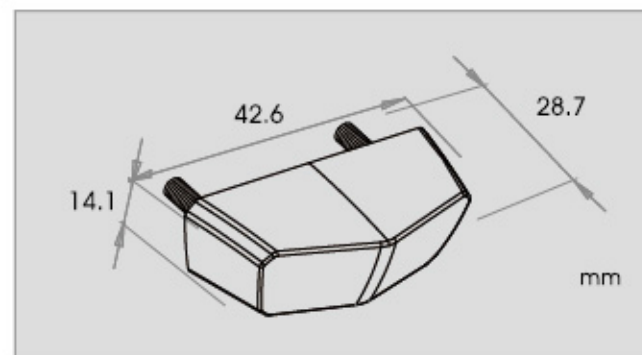


Hawkeye

Body Color	Lens
Black	Red
	Smoke



Body Size

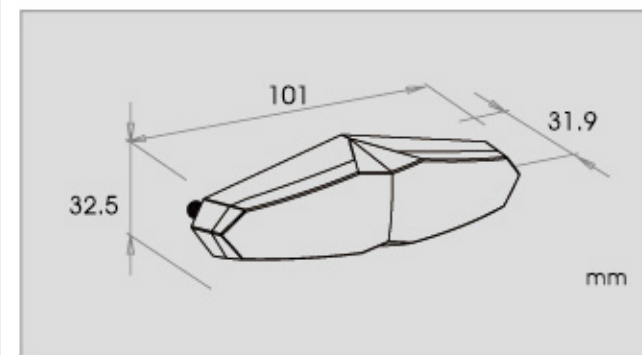


Nano

Body Color	Lens
Black	Red
Black	Smoke



Body Size



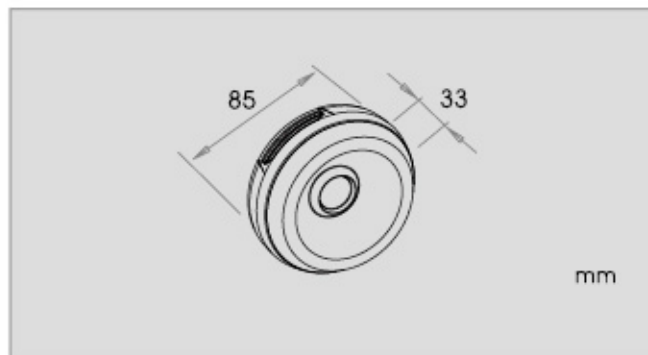
Infinity

Body Color	Lens
Black	Red
Black	Smoke

NEW !



Body Size



mm

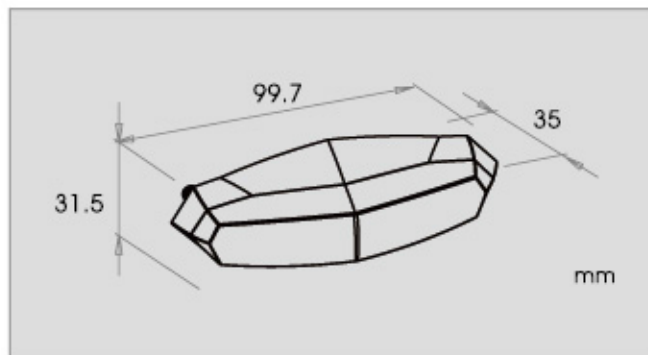
Solar

Body Color	Lens
Black	Clear
Black	Smoke
Black	Red

NEW !



Body Size



mm

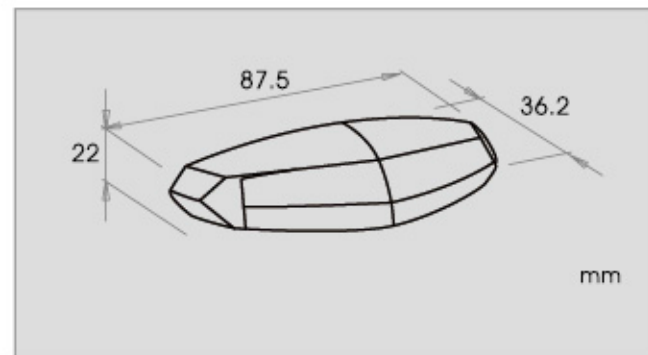
Mini 2

Body Color	Lens
Black	Red
Black	Smoke

NEW !



Body Size



mm

GT-01

Body Color	Lens
Black	Red
Black	Smoke

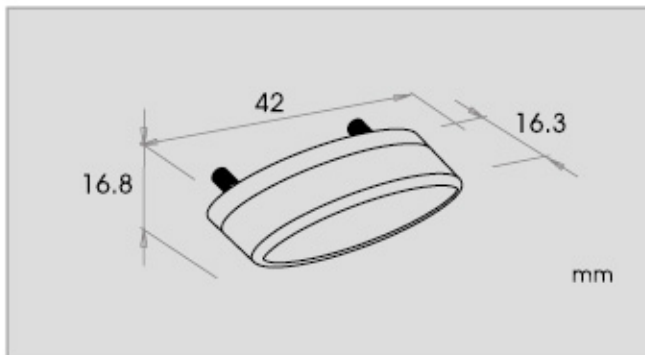


License Plate Light

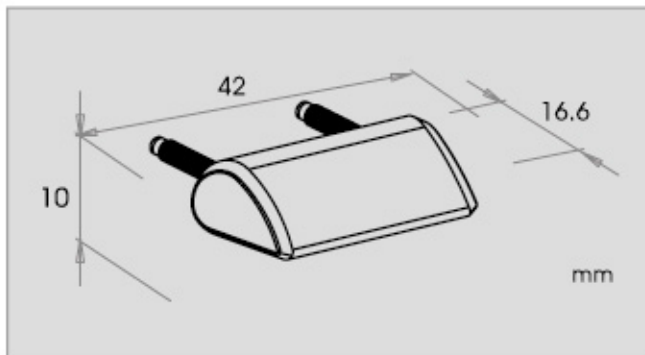
License Plate Light



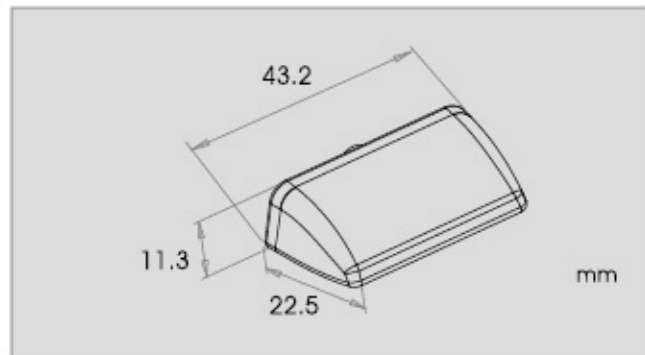
Body Size



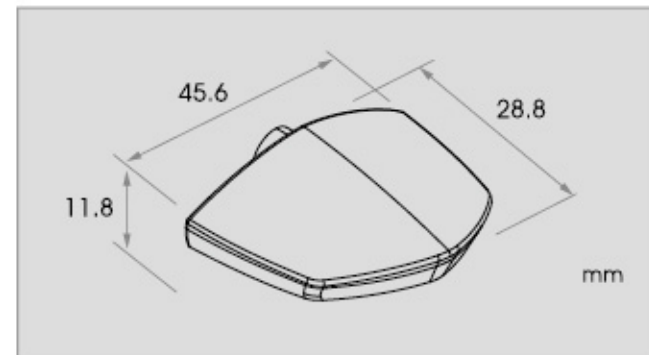
Body Size



Body Size



Body Size



Oval

Body Color	Lens
Black	Clear

Drop

Body Color	Lens
White	Clear
Black	Clear

Blade

Body Color	Lens
Black	Black

Speed

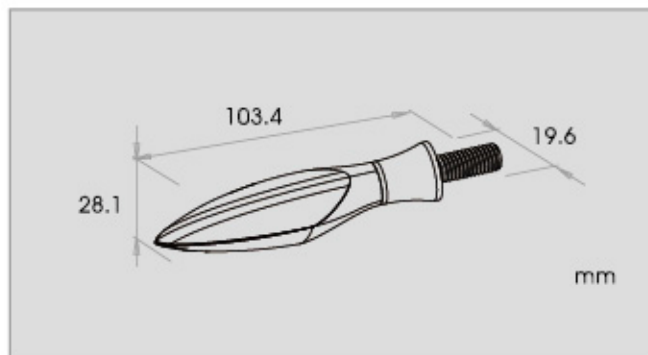
Body Color	Lens
Black	Clear



**Directional
light**



Body Size

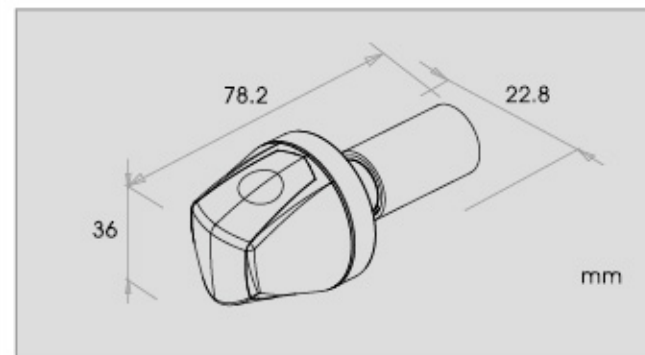


Stinger

Body Color	Lens
Black	Clear
Black	Smoke



Body Size

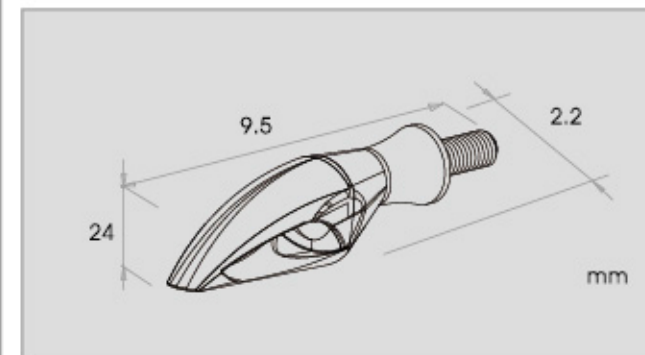


Knight

Body Color	Lens	pcs.
Black	Clear	1
Black	Smoke	1
Black	Smoke (13/17/20mm)	1
Black	Smoke	2



Body Size

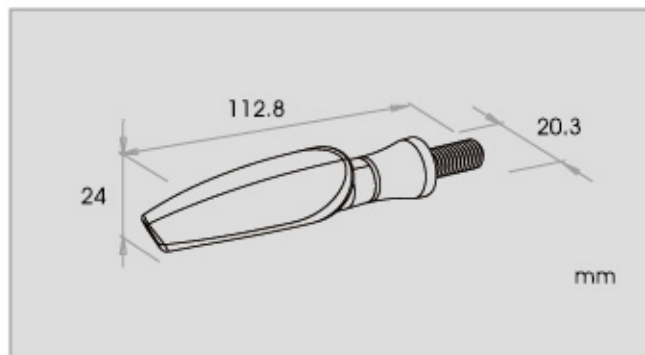


Storm

Body Color	Lens	pcs.
Black	Clear	1
Black	Clear	2



Body Size

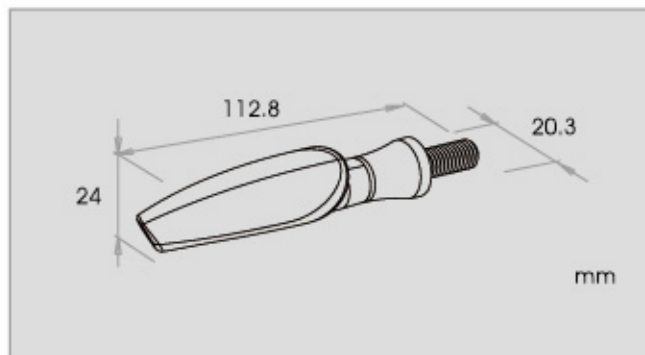


Infinity

Body Color	Lens
Black	Clear
Black	Smoke



Body Size



Infinity-R (Winker/night & brake light)

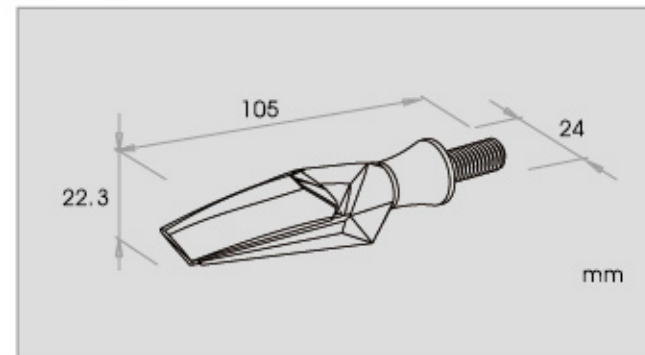
Body Color	Lens
Black	Smoke

Infinity-F (Winker & front position light)

Body Color	Lens
Black	Clear
Black	Smoke



Body Size

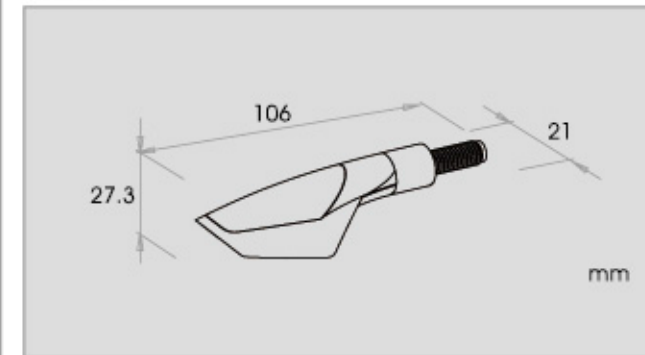


Mars

Body Color	Lens
Black	Clear
Black	Smoke
Silver	Clear
Silver	Smoke



Body Size



Jet

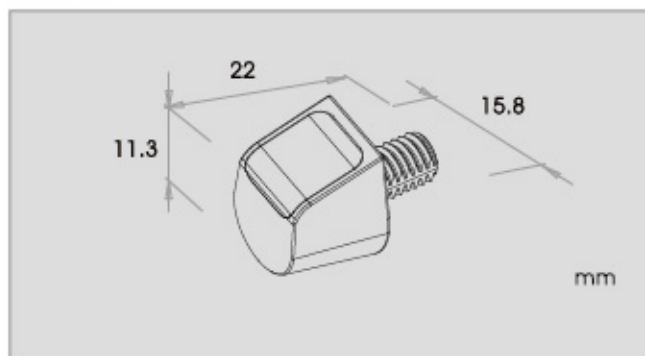
Body Color	Lens
Silver	Clear
Black	Clear
Black	Smoke

LED LIGHT

NEW !



Body Size



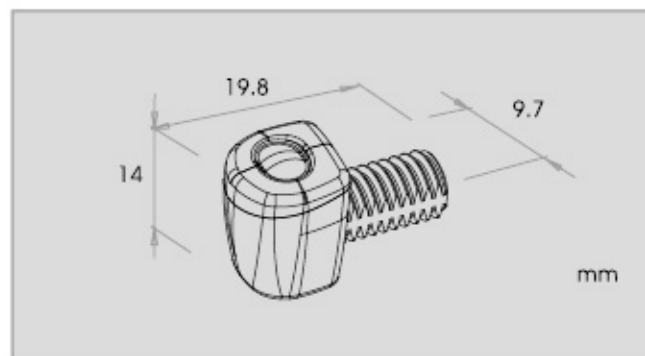
Ion

Body Color	Features
Black	Winker
Black	Winker & Taillight

NEW !



Body Size

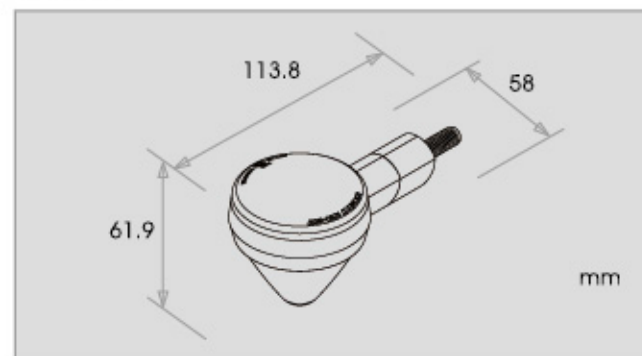


Nano

Body Color	Features
Black	Winker
Black	Taillight
Black	Winker & Taillight



Body Size



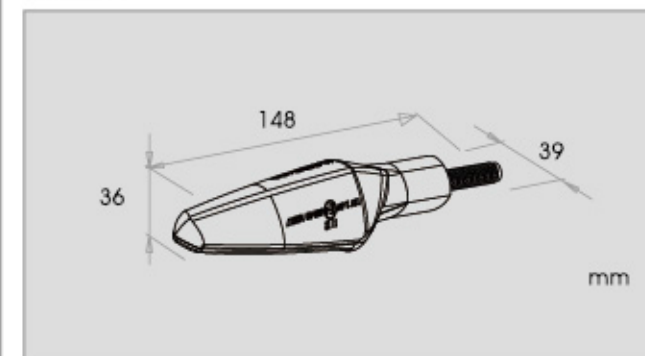
Glare

Body Color	Lens	pcs.
Black	Clear	2
Black	Smoke	2
Black	Amber	2

NEW !



Body Size



Arrow

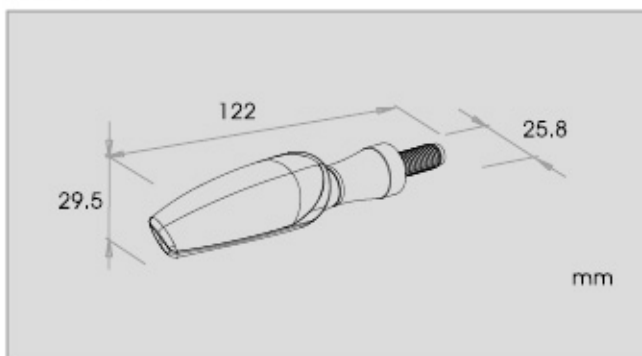
Body Color	Lens
Black	Clear
Black	Smoke
Black	Amber

LED LIGHT

NEW !



Body Size



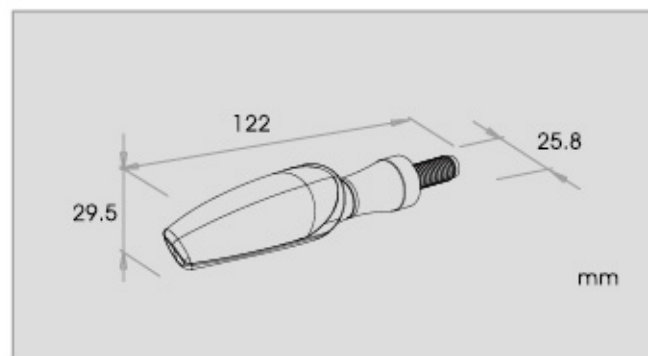
Z2

Body Color	Lens	pcs.
Black	Clear	2
Black	Smoke	2

NEW !



Body Size



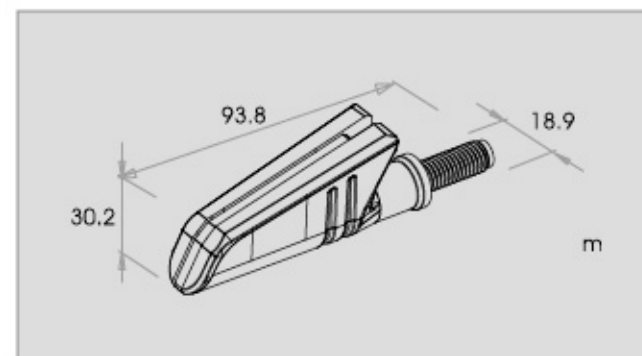
Z3

Body Color	Lens
Black	Clear

NEW !



Body Size

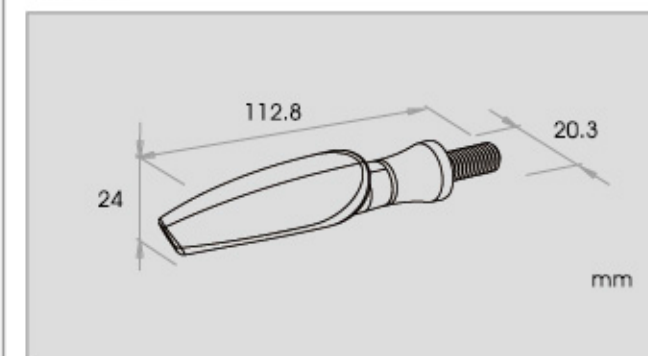


Shadow

Body Color	Lens
Silver	Clear



Body Size



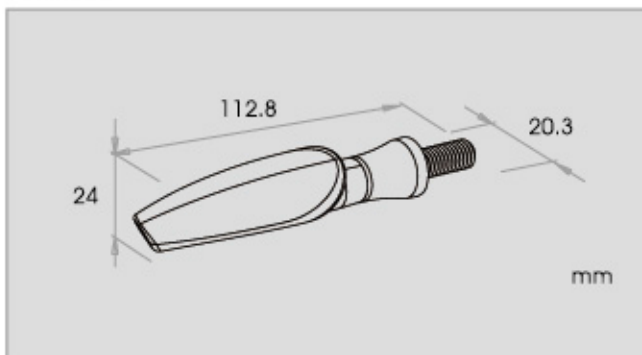
Unlimited

Body Color	Lens
Matte black	Clear
Chrome	Clear
Silver	Clear

NEW!



Body Size



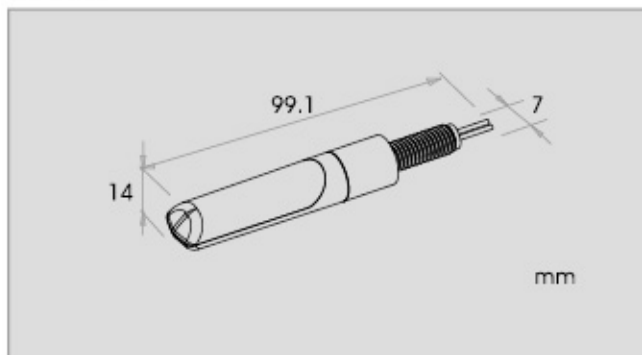
Infinity-D (Dynamic LED Indicator)

Body Color	Lens
Black	Clear

NEW!



Body Size



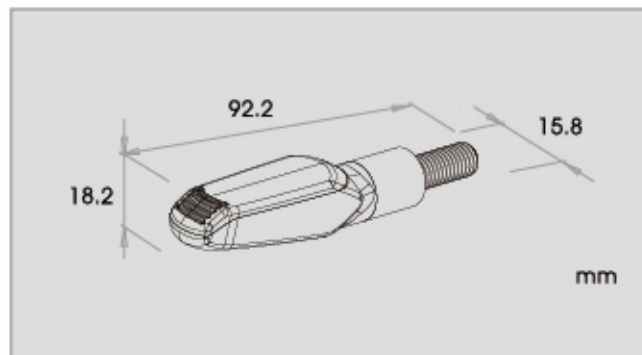
Electro (Dynamic LED Indicator)

Body Color	Lens	pcs.
Black	Clear	1
Black	Smoke	1
Black	Amber	1

NEW!



Body Size



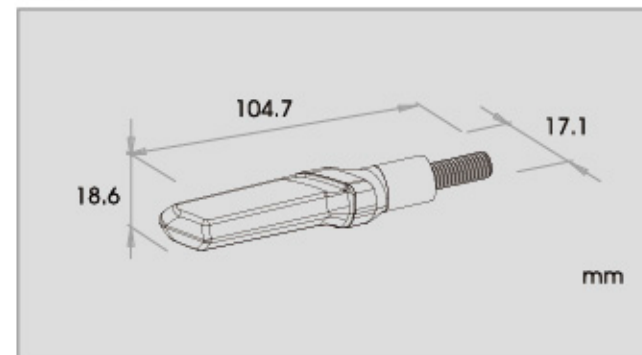
GW-01

Body Color	Lens
Black	Smoke

NEW!



Body Size



GW-02

Body Color	Lens	pcs.
Black	Smoke	2

LED LIGHT

Flasher relay feature

To give the normal flashing frequency to those bike adopting the LED light bulbs modification, Totally plug & play, it's really easy to install. Can be adopted by many different model of bike (please check the from below for the detail) Installing Instruction as below.



i Flash Relay
Type
no sound version

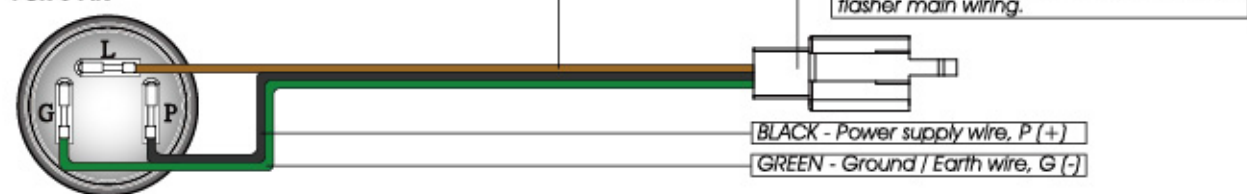


LED Flash Relay
Type
no sound version

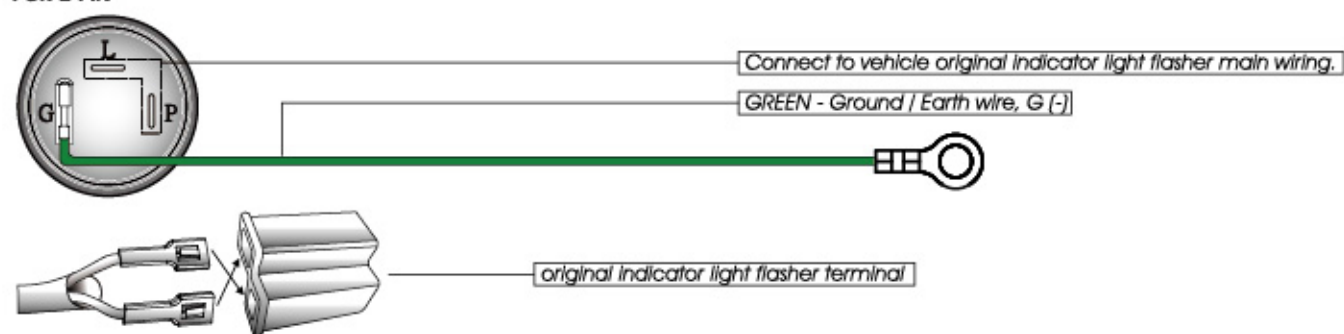


LED Flash Relay
Type
with blink sound
Item number
★ K D 0 0 6 0 2 0 ★

FOR 3-PIN



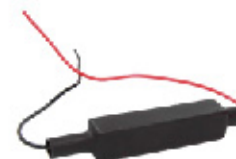
FOR 2-PIN



During installation, please follow the instructions below:
1. Before installation, locate and disconnect the vehicle original signal light interrupter terminal.
2. After disconnection, reconnect the terminals in opposite position.
3. After exchanging terminals position, connect the original indicator light flasher wiring to the LED flasher's L and P pins.



LED Flash Relay
Color
Black Anodize



Resistor for LED Turn Signal
Item number

20w8.5Ω
10w3Ω



TAILLIGHT BRACKET
Color
Black Anodize
Silver Anodize



Directional light transfer gasket

• For Honda MSX

WINKER ADAPTER WIRE

Type

- A. KAWASAKI
- B. HONDA
- C. YAMAHA
- D. DUCATI
- E. HARLEY DAVIDSON
- F. TRIUMPH
- G. MV AUGUSTA
- H. YAMAHA MT-09
- I. YAMAHA
- J. SUZUKI
- K. BMW
- L. YAMAHA

LICENSE PLATE LIGHT ADAPTER WIRE

Type

- 1. YAMAHA

