



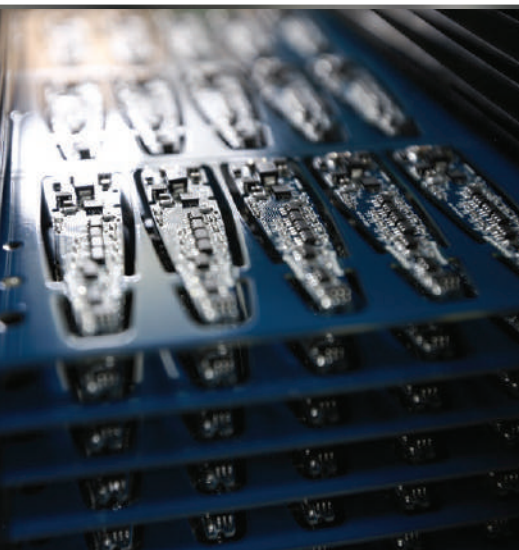
KOSO 
NORTH AMERICA

Koso's philosophy

Koso, a synonym for quality and performance. With more than 35 years of experience designing and manufacturing high quality products, Koso has become well known across the powersports and OEM industries for its good reputation for reliability, innovation and capability. Whether we are manufacturing a product under private label, OEM or aftermarket products quality always remains our top priority. Innovation and creating new technologies are the keys to Koso's philosophy and drives us to continue pushing the limit further.

For several years now, Koso has had the opportunity to work with an outstanding team of engineers. Along with our state of the art testing equipment and production facilities, Koso has remained a leader in analog and digital technology. Koso produces a wide range of quality gauges/meters, heated equipment, LED indicators taillights and headlights as well as mirrors and engine parts. Koso is proud to offer a complete line of quality products for serious riders.

KOSO
NORTH AMERICA





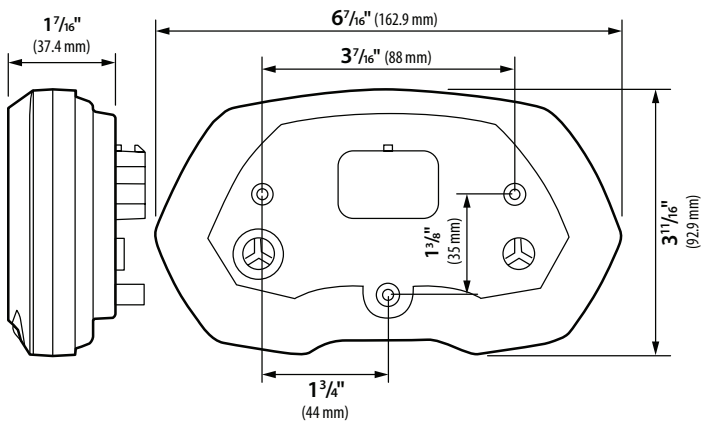
Meters

part
BA044000

Multifunction meter

If you're in search of the latest and greatest in meter technology, then look no further than the RXF multifunction meter. Using the most up to date TFT technology, this meter will amaze you with its versatile settings and vibrant color display.

The RXF meter features a large amount of useful functions such as; speedometer, tachometer, gear indicator, temperature, fuel level, voltage, lean angle and many more. With its fast response rate, wide view angles and sharp details, the RXF multifunction meter is a great modern upgrade for any type of bike.



Specifications

- **Speedometer**
R: 0 ~ 225 MPH (0 ~ 360 km/h)
U: MPH or km/h
- **Odometer**
R: 0 ~ 99,999 miles (km) | U: 1 mile (km)
- **Tripmeter A/B**
R: 0 ~ 999.9 miles (km) | U: 0.1 mile (km)
- **Speeding warning light**
R: 19 ~ 225 MPH (30 ~ 360 km/h)
U: 1 MPH(km)
- **Top speed record**
R: 0 ~ 225 MPH (0 ~ 360 km/h)
U: 1 MPH(km)
- **Tire circumference**
R: 300 ~ 2,500 mm | U: 1 mm
Sensitive point: 1 ~ 20
- **Gear meter (Learning)**
R: N, 1~9 or no display
- **Top gear record**
R: N, 1~9
- **Level Tachometer**
R: 1000~10,000 / 12,000 / 15,000 / 18,000 / 20,000 RPM
- **RPM shift-light**
R: 1,000 ~ 20,000 RPM | U: 100 RPM
- **Maximum RPM record**
R: 0 ~ 10,000 / 12,000 / 15,000 RPM
- **RPM signal (for Fuel injection)**
R: 0.5, 1 ~ 24
- **Total engine running time**
R: 0 ~ 99,999 H | U: 1 H
- **Hour meter**
R: 0 ~ 999,9 H | U: 0.1 H
- **Thermometer**
U: °F or °C (alternative)
- **Digital thermometer (Water and Oil)**
R: 32 ~ 482 °F (0 ~ 250 °C)
U: < 100 °F (°C) = 0.1 °F (°C)
≥ 100 °F (°C) = 1 °F (°C)
- **Level thermometer (Water & Oil)**
R: 6 levels | U: 1 level = 20 °C
- **Temperature warning (Water & Oil)**
R: 140 ~ 482°F (60 ~ 250°C) | U: 1°F (°C)
- **Top temperature**
R: 32 ~ 482 °F (0 ~ 250 °C)
- **Ambient thermometer**
R: -4 ~ 140°F (-20 ~ 60°C) | U: 1°F (°C)
- **Low thermometer warning**
R: 30 ~ 41 °F (-1 ~ 5 °C) | U: 1°F (°C)
- **Fuel meter**
R: 6 levels | U: 1 level = 16.6 %
- **Fuel resistance**
R: 100 Ω / 250 Ω / 270 Ω / 510 Ω / 1,200 Ω / SW / Learning
- **Low fuel warning**
R: 0 ~ 3 levels | U: 1 level
Flashing warning when reading value is equal or lower than setting value.%
- **Calendar**
R: (y) : 2000 ~ 2099 | (m) : 1 ~ 12 | (d) : 1 ~ 31
- **Clock** R: 24 H format
- **Digital volt meter**
R: DC 8 ~ 18 V | Unit : DC 0.1 VV
- **Level volt meter**
R : 6 levels | Unit : Start from DC 11.5 V (1 level = DC 0.5 V)
- **Low voltage warning**
Warning light on when current voltage is equal or lower than setting value.
- **Backlight brightness**
R: 1/5 (darkest) ~ 5/5 (brightest) / Auto
- **Lean angle**
R : 0° ~ 60° left and right | U : 1°
- **Lean angle warning**
Warning light on when current angle is equal or lower than setting value.
- **Acceleration**
R: 0 ~ 2 G front, rear, left and right directions | U: 0.1 G
- **Target speed timer**
D: 20 ~ 225 MPH (30 ~ 360 km/h)
R: 5 MPH (km/h)
- **Target distance timer**
D: 1/32 ~ 30/32 mile (50 ~ 1,500 m)
U: 1/32 mile (50 m)
- **Top speed timer**
Speed : 0 ~ 225 MPH (0 ~ 360 km/h)
Distance : 0 ~ 3,280 feet (0 ~ 999 m)
RPM : 0 ~ 20,000 RPM
Timer : 0 ~ 9'59"99
- **Indicator lights**
Neutral / High beam / Turn signals / Check engine Oil level /
Temperature / Speeding / RPM shift light
- **Effective temperature range**
14 ~ 140 °F (-10 ~ 60 °C)
- **Effective voltage**
DC 12 V
- **Sensor type**
Active speed sensor : BF640J06

RX-1N

part

BA011B02

white face blue backlight

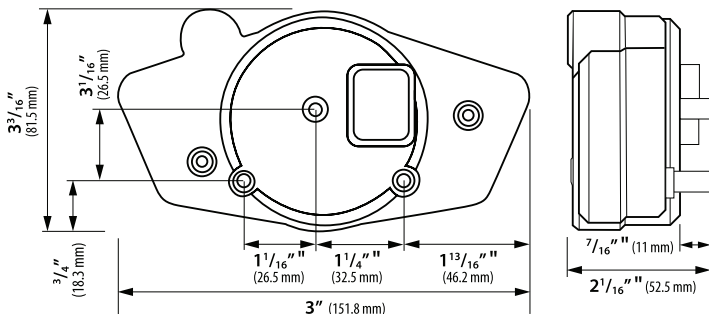
BA011W02

black face white backlight

GP style multifunction meter

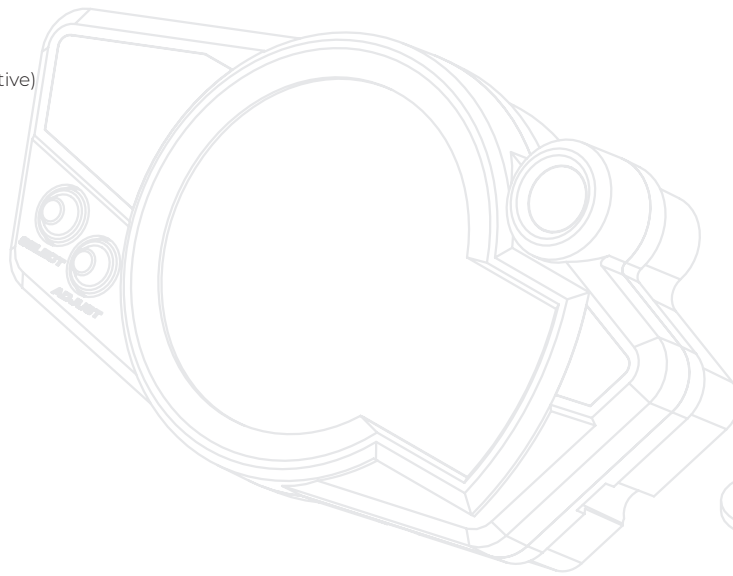
With its attractive shape and size, the RX-1N meter is a perfect meter for your bike. Whether you have a sports bike, naked bike, street fighter or anything in between, this gauge will surely impress with its easy to read display and multiple functions available including speedometer, tachometer, tripmeter, odometer, shift light, temperature, indicator lights and many more.

This meter has every function you need to monitor your bike's performance.



Specifications

- **Speedometer**
R: 0 ~ 225 MPH (0 ~ 360 km/h)
U: MPH or km/h (alternative)
- **Odometer**
R: 0 ~ 99,999 miles (km) | U: 1 mile (km)
- **Tripmeter A/B**
R: 0 ~ 999.9 miles (km) | U: 0.1 mile (km)
- **Speeding warning light**
R: 20 ~ 110 MPH (30 ~ 180 km/h)
U: 5 MPH (5 km/h)
- **Top speed record**
R: 0 ~ 225 MPH (0 ~ 360 km/h)
U: 1 MPH(km)
- **Tire circumference**
R: 1,000 ~ 2,500 mm | U: 1 mm
Sensitive point: 1 ~ 6
- **Tachometer**
R: 0~15,000 RPM | U 100 RPM
- **RPM shift-light**
R: 5,000 ~ 15,000 RPM | U: 100 RPM
- **Maximum RPM record**
R: 0 ~ 15,000 RPM
- **Stroke / piston setting**
2 stroke: 1, 2, 3, 4 pistons
4 strokes: 1, 2, 3, 4, 5, 6, 8, 10, 12 pistons
- **Digital thermometer (Water & Oil)**
R: 32 ~ 248 °F (0 ~ 120 °C)
U: 0.1 °F or °C (alternative)
- **Temperature level meter**
R: 68 ~ 248 °F (20 ~ 120 °C)
R: 10 levels | U: 1 level = 50 °F or 10 °C (alternative)
- **Over Temperature warning (Water & Oil)**
R: 140 ~ 248°F (60 ~ 120°C) | U: 1°F (°C)
- **Top temperature record**
R: 32 ~ 248 °F (0 ~ 120 °C)
- **Fuel meter**
R: 10 levels | U: 1 level = 10 %
- **Fuel resistance**
R: 100 Ω / 510 Ω
- **Low fuel warning**
R: 10 ~ 50% | U: 10%
- **Clock** R: 24 H format
- **Target speed timer**
D: 20 ~ 225 MPH (30 ~ 360 km/h)
R: 5 MPH (km/h)
- **Target distance timer**
D: 1/32 ~ 20/32 mile (50 ~ 1,000 m)
U: 1/32 mile (50 m)
- **Top speed timer**
Speed : 0 ~ 225 MPH (0 ~ 360 km/h)
Distance : 0 ~ 3,280 feet (0 ~ 999 m)
RPM : 0 ~ 15,000 RPM
Timer : 0 ~ 59'59"99
- **Indicator lights**
Neutral / High beam / Turn signals / Check engine / Oil level /
Temperature / Speeding / RPM shift light
- **Effective temperature range**
14 ~ 140 °F (-10 ~ 60 °C)
- **Effective voltage**
DC 12 V
- **Sensor type**
Passive speed sensor : BF019005
Temperature sensor: BF030125



RX-2

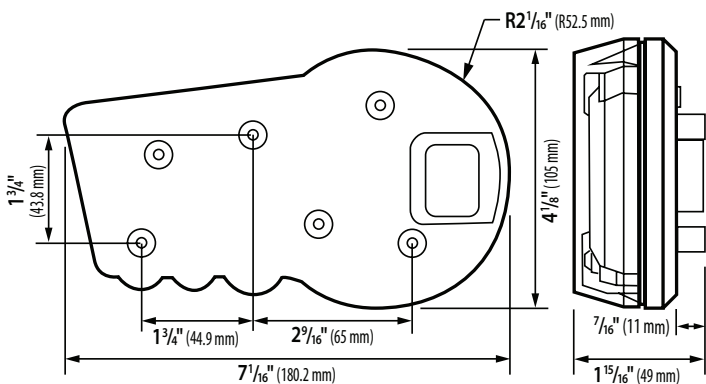
part
BA010001

GP Style multifunction meter

The RX-2 is probably one of our best seller. Its unique color changeable backlight makes it a very popular instrument. The illuminated needle with LED pointer makes it very easy to read even at night.

This instrument features many different functions such as speed, odometer, tripmeter, RPM, shift light, temperature, indicator lights and many other cool functions.

Set yourself apart with the RX-2!



Specifications

- **Speedometer**
R: 0 ~ 225 MPH (0 ~ 360 km/h)
U: MPH or km/h (alternative)
- **Odometer**
R: 0 ~ 99,999 miles (km) | U: 1 mile (km)
- **Tripmeter A/B**
R: 0 ~ 999.9 miles (km) | U: 0.1 mile (km)
- **Speeding warning light**
R: 20 ~ 110 MPH (30 ~ 180 km/h)
U: 5 MPH (km/h)
- **Top speed record**
R: 0 ~ 225 MPH (0 ~ 360 km/h)
U: 1 MPH(km)
- **Tire circumference**
R: 300 ~ 2,500 mm | U: 1 mm
Sensitive point: 1 ~ 60
- **Tachometer**
R: 0~15,000 RPM | U 100 RPM
- **RPM shift-light**
R: 5,000 ~ 15,000 RPM | U: 100 RPM
- **Maximum RPM record**
R: 0 ~ 15,000 RPM
- **Stroke / piston setting**
2 stroke: 1, 2, 3, 4 pistons
4 stroke: 1, 2, 3, 4, 5, 6, 8, 10, 12 pistons
- **Digital temperature (Water & Oil)**
R: 32 ~ 248 °F (0 ~ 120 °C)
U: 0.1 °F or °C (alternative)
- **Temperature level meter**
R: 68 ~ 248 °F (20 ~ 120 °C)
R: 10 levels | U: 1 level = 50 °F or 10 °C (alternative)
- **Over Temperature warning (Water & Oil)**
R: 140 ~ 248°F (60 ~ 120°C) | U: 1°F (°C)
- **Top temperature record**
R: 32 ~ 248 °F (0 ~ 120 °C)
- **Fuel meter**
R: 10 levels | U: 1 level = 10 %
- **Fuel resistance**
R: 100 Ω / 510 Ω / no display
- **Low fuel warning**
R: 10 ~ 50% | U: 10%
- **Clock** R: 24 H format
- **Target speed timer**
D: 20 ~ 225 MPH (30 ~ 360 km/h)
R: 5 MPH (km/h)
- **Target distance timer**
D: 1/32 ~ 20/32 mile (50 ~ 1,000 m)
U: 1/32 mile (50 m)
- **Top speed timer**
Speed : 0 ~ 225 MPH (0 ~ 360 km/h)
Distance : 0 ~ 3,280 feet (0 ~ 999 m)
RPM : 0 ~ 15,000 RPM
Timer : 0 ~ 9'59"99
- **Indicator lights**
Neutral / High beam / Turn signals / Check engine / Oil level /
Temperature / Speeding / RPM shift light
- **Effective temperature range**
14 ~ 140 °F (-10 ~ 60 °C)
- **Effective voltage**
DC 12 V
- **Sensor included**
Passive speed sensor : BF019005
Temperature sensor: BF030125



CHANGEABLE COLOR



RX-2N

part

BA015B15

10,000 RPM

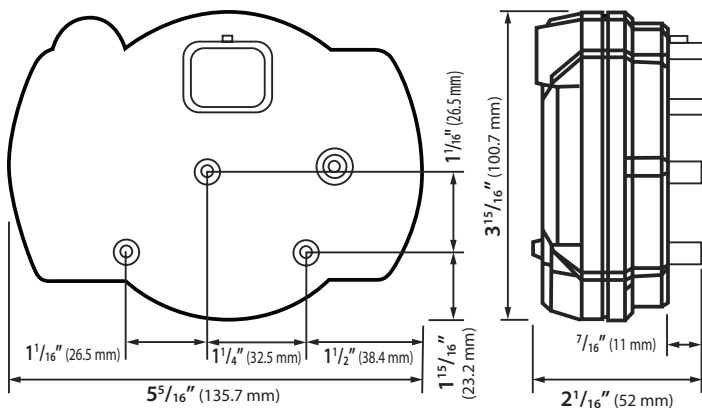
BA015B25

20,000 RPM

GP style multifunction meter

The RX-2N has been developed with the best components and latest technology on the market. The illuminated needle with LED pointer makes it very easy to read even at night. This instrument features many different functions such as speed, odometer, tripmeter, RPM, shift light, temperature, indicator lights and many other great functions.

The 10,000 RPM and 20,000 RPM version give you the opportunity to better choose the right RPM scale for your bike.



Specifications

- **Speedometer**
R: 0 ~ 225 MPH (0 ~ 360 km/h)
U: 1 MPH or km/h (alternative)
- **Odometer**
R: 0 ~ 99,999 miles (km) | U: 1 mile (km)
- **Tripmeter A/B**
R: 0 ~ 999.9 miles (km) | U: 0.1 mile (km)
- **Speeding warning light**
R: 20 ~ 225 MPH (30 ~ 360 km/h)
U: 5 MPH (km/h)
- **Top speed record**
R: 0 ~ 225 MPH (0 ~ 360 km/h)
- **Tire circumference**
R: 300 ~ 2,500 mm | U: 1 mm
Sensitive point: 1 ~ 60
- **Tachometer**
R: 0~10,000 or 20,000 RPM
U 250 or 500 RPM
- **RPM shift-light**
R: 1,000 ~ 10,000 or 20,000 RPM
U: 100 RPM
- **Pre-shift-light**
R: -500 ~ - 3,000 RPM before shift light
U: 100 RPM
- **RPM input pulse**
R: 0.5, 1, 1.5, 2, 2.5, 3, 4, 5, 6
- **Stroke / piston setting**
2 stroke: 1, 2, 3, 4 pistons
4 stroke: 1, 2, 3, 4, 5, 6, 8, 10, 12 pistons
- **Digital temperature (Water & Oil)**
R: 32 ~ 482 °F (0 ~ 250 °C)
U: 0.1 °F or °C (alternative)
- **Temperature level meter (Water & Oil)**
R: 68 ~ 248 °F (20 ~ 120 °C)
U: 10 levels | U: 1 level = 50 °F or 10 °C (alternative)
- **Over Temperature warning (Water & Oil)**
R: 140 ~ 482°F (60 ~ 250°C) | U: 1°F (°C)
- **Top temperature record**
R: 32 ~ 482 °F (0 ~ 250 °C)
- **Fuel meter**
R: 10 levels | U: 1 level = 10 %
- **Fuel resistance**
R: 100 Ω / 510 Ω / fuel switch / no display
- **Low fuel warning**
R: 10 ~ 50% | U: 10%
- **Clock** R: 24 H format
- **Perpetual calendar**
R: 2,000~ 2,099 A.D.
- **Target speed timer**
D: 20 ~ 225 MPH (30 ~ 360 km/h)
R: 5 MPH (km/h)
- **Target distance timer**
D: 1/32 ~ 20/32 mile (50 ~ 1,000 m)
U: 1/32 mile (50 m)
- **Top speed timer**
Speed : 0 ~ 225 MPH (0 ~ 360 km/h)
Distance : 0 ~ 3,280 feet (0 ~ 999 m)
RPM : 0 ~ 10,000 or 20,000 RPM
Timer : 0 ~ 9'59"99
- **Indicator lights**
Neutral / High beam / Turn signals / Check engine / Oil level /
Temperature / Speeding / RPM shift light
- **Effective temperature range**
14 ~ 140 °F (-10 ~ 60 °C)
- **Effective voltage**
DC 12 V
- **Sensor included**
Passive speed sensor : BF640J06
Temperature sensor: BF030000



CHANGEABLE COLOR



RX-2NR

part
BA015000

GP style tachometer

The RX-2NR GP Style tachometer is the perfect race meter ! The 80 mm needle driven by a stepper motor is easy to read at high speed. Its multifunction will give you all the necessary information needed to monitor your engine.

Get the RX-2NR GP Style tachometer and enjoy your race even at night with its illuminated background.

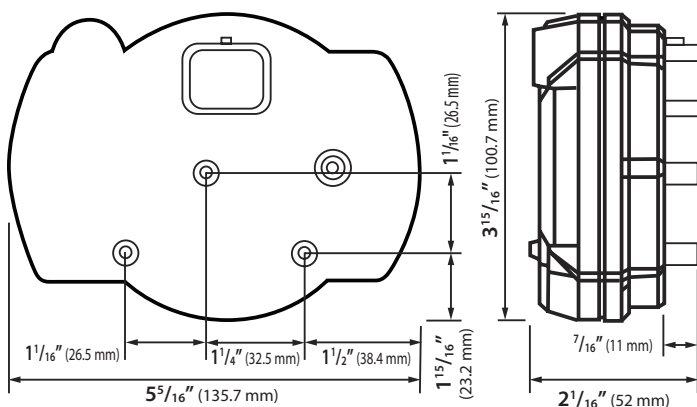


(R = Range U= Unit)



Specifications

- **Tachometer**
R: 0~16,000 RPM | U: 100 RPM
- **Shift-light**
R: 5,000 ~ 16,000 RPM | U: 100 RPM
- **Pre-shift-light**
R: -500 ~ - 3,000 RPM before shift light
U: 100 RPM
- **Stroke / piston setting**
2 stroke: 1, 2, 3, 4 pistons
4 stroke: 1, 2, 3, 4, 5, 6, 8, 10, 12 pistons
- **Thermometer**
R: 32 ~ 302 °F (0 ~ 150 °C) | U: 0.1°F or °C (alternative)
- **Temperature warning**
R: 140 ~ 302°F (60 ~ 150°C) | U: 1°F (°C)
- **Indicator lights**
Temperature
- **Effective temperature range**
14 ~ 140 °F (-10 ~ 60 °C)
- **Battery type**
9V-1604 / 6LR61 / DC 12 V
- **Sensor included**
Active speed sensor : BF0300000 1/8 (BSP) x 28





RX-3

new

part
BA071000



warning



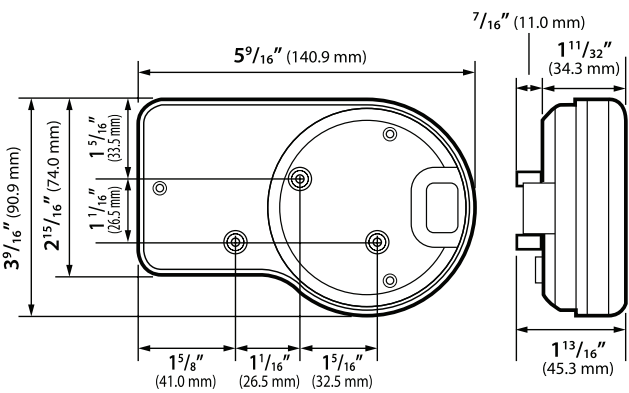
Night mode



TFT multifunction meter

The RX-3 TFT multifunction meter is the newest addition to our RX series of gauges. It features a modern TFT screen to display your information with the day and night brightness adjustability and also has 5 different colors to choose from.

Compact, lightweight and easy to operate, this modern meter offers a clean and simple design. This universal gauge can be used for any application and also features a plug and play connector available for the Honda Grom® and the Honda Monkey®.



(R = Range U= Unit)

Specifications

- **Speedometer**
R: 0 ~ 225 MPH (0 ~ 360 km/h)
U: 1 MPH or km/h (alternative)
- **Odometer**
R: 0 ~ 99,999 miles (km) | U: 1 mile (km)
- **Tripmeter A/B**
R: 0 ~ 9,999.9 miles (km)
U: 0.1 mile (km)
- **Oil maintenance**
R: 300~10,000 miles
(500 ~ 16,000 km),OFF
U: 100 km(miles)
- **Speeding warning light**
R: 20 ~ 225 MPH (30 ~ 360 km/h)
U: 1 MPH (km/h)
- **Top speed record**
R: 0 ~ 225 MPH (0 ~ 360 km/h)
- **Tire circumference**
R: 300 ~ 2,500 mm | U: 1 mm
Sensitive point: 1 ~ 40
- **Gear indicator (learning)**
R: -, N, 1 ~ the highest gear
- **Max. Gear record**
R: -, N, 1 ~ the highest gear
- **Tachometer**
R: 0~15,000 RPM
- **RPM shift-light**
R: 1,000 ~ 15,000 RPM | U: 100 RPM
display light: steady, fast flash
- **Max. RPM**
R: 0 ~ 15,000 RPM
- **RPM input signal number setting**
0.5, 1.0 ~ 24.0
- **RPM input pulse**
R: Low-Act, High-Ac
- **Thermometer**
R: 32.0 ~ 482.0 °F (0 ~ 250 °C)
U: 0.1 °C (°F)
- **Over Temperature warning**
R: 140 ~ 482°F (60 ~ 250°C) | U: 1°F (°C)
- **A/F ratio meter**
R: 12.1 ~ 17.5 | U: 0.1
- **Fuel meter**
R: 6 levels | U: 1 level = 16.6 %
- **Fuel resistance**
R: OFF, 100 Ω, 250 Ω, 270 Ω, 510 Ω,
1200 Ω, 5W, learning mode, OFF
- **Low fuel warning**
R: 0 ~ 3/6 | U: 1
- **Clock**
R: 24 H / 12 H format
- **Voltmeter**
R: DC 8.0 ~ 18.0 V | U: DC 0.1 V
- **Low voltage warning**
R: DC 8.0 ~ 13.0 V | U: 0.1
- **High voltage warning**
R: DC 13.1 ~ 18.0 V | U: 0.1
- **Target speed**
D: 20 ~ 225 MPH
(30 ~ 360 km/h)
R: 5 MPH (km/h)
- **Target distance**
D: 1/32 ~ 30/32 mile
(50 ~ 1,500 m)
U: 1/32 mile (50 m)
- **Top speed**
R: Speed : 0 ~ 360 km/h
(0 ~ 225 MPH)
Distance : 0 ~ 999 m
(0~3,280 feet)
RPM : 0 ~ 15,000 RPM
Time : 0 ~ 9 : 59"99
- **Background display**
R: Auto (switch according to the ambient
light: Day mode / Night mode.)
- **Backlight brightness (Day)**
R: 3/5~ 5/5(Brightest) | U: 1/5
- **Backlight brightness (Night)**
R: 1/5(Darkest) ~ 5/5(Brightest) | U: 1/5
- **Backlight colors**
R: white, red, orange,green,blue
- **Indicator lights**
Neutral / High beam / Turn signals /
Check engine / Oil level / ABS / Warning /
RPM shift light
- **Effective temperature range**
14 ~ 140 °F (-10 ~ 60 °C)
- **Effective voltage**
DC 12 V



MS-01

new

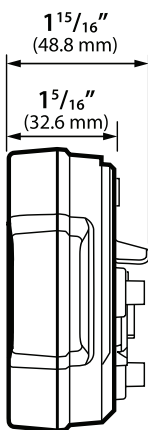
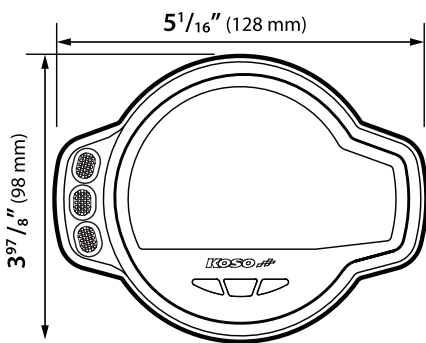
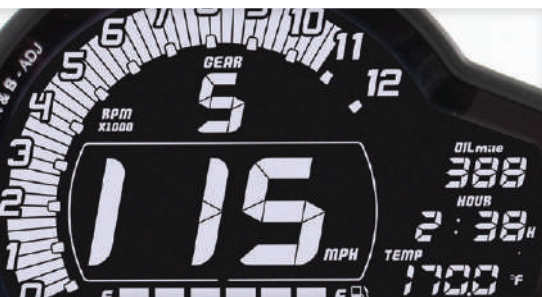
part

BA078100

Multifunction meter

The MS-01 multifunction meter is the newest addition for enthusiasts who enjoy multiple readings from their ride. It features a modern negative LCD screen to display all of your information.

Compact, lightweight and easy to operate, this modern meter offers a clean and simple design. This universal gauge can be used for any application.



Specifications

- **Speedometer**
R: 0 ~ 124 MPH (0 ~ 199 km/h)
U: 1 MPH or km/h (alternative)
- **Odometer**
R: 0 ~ 99,999 miles (km) | U: 1 mile (km)
- **Tripmeter A/B**
R: 0 ~ 9,999.9 miles (km)
U: 0.1 mile (km)
- **Speeding warning light**
R: 19 ~ 124 MPH (30 ~ 199 km/h)
U: 1 MPH (km/h)
warning light on when \geq setting value
- **Tire circumference**
R: 300 ~ 2,500 mm | U: 1 mm
Sensitive point: 1 ~ 40
- **Gear indicator (learning)**
R: OFF, N, 1 ~ 6, the highest gear
- **Maintenance**
R: 300 ~ 10,000 mile (500 ~ 16,000 km)
U: 100 km (mile)
- **Bar segment tachometer**
R: 0 ~ 10,000 RPM /
0 ~ 13,000 RPM
U: 0 ~ 10,000 RPM (250 RPM/segment)
0 ~ 13,000 RPM (250 RPM/segment)
- **RPM input pulse**
R: POS(+) / NEG(-)
- **RPM signal**
R: P-0.5 / P-1 / P-1.5 / P-2 / P-2.5 /
P-3 / P-4 / P-5 / P-6 / P-9 / P-10 /
P-11 / P-12 / P-17 / P-18 / P-23 / P-24 /
P-34 / P-36
- **First-stage warning for over-RPM (Illuminated)**
R: 0 ~ 10,000 RPM
Setting: 3,000 ~ 9,750 RPM
R: 0 ~ 13,000 RPM
Setting: 3,000 ~ 12,750 RPM
Signaling light on (**green**) for over-RPM when \geq set value
- **Second-stage warning for over-RPM (Illuminated)**
R: 0 ~ 10,000 RPM
Setting: 3,000 ~ 9,750 RPM
R: 0 ~ 13,000 RPM
Setting: 3,000 ~ 12,750 RPM
Signaling light on (**red**) for over-RPM when \geq set value
- **Third-stage warning for over-RPM (Blinking)**
R: 0 ~ 10,000 RPM
Setting: 3,250 ~ 10,000 RPM
R: 0 ~ 13,000 RPM
Setting: 3,250 ~ 13,000 RPM
Signaling light blinking (**green/red**) for over-RPM when \geq set value
U: 100 RPM
- **Temperature & Max. temp record**
R:
1- OFF
2- Cylinder head temperature
P-1 -20 ~ 200 °C (-4 ~ 392°F)
P-2 -40 ~ 185 °C (-40 ~ 365°F)
P-3 -20 ~ 220 °C (-4 ~ 428°F)
P-4 -20 ~ 200 °C (-4 ~ 392°F)
P-5 -20 ~ 120 °C (-4 ~ 248°F)
P-6 -30 ~ 200 °C (-22 ~ 392°F)
P-1A -20 ~ 200 °C (-4 ~ 392°F)
P-2A -40 ~ 185 °C (-40 ~ 365°F)
P-5A -20 ~ 120 °C (-4 ~ 248°F)
P-6A -30 ~ 200 °C (-22 ~ 392°F)
3- Temperature sensor
P-250 0 ~ 250 °C (32 ~ 482°F)
- **Thermometer**
R: 32.0 ~ 482.0 °F (0 ~ 250 °C)
U: 0.1 °C (°F)
- **Over Temperature warning**
R: 122 ~ 356°F (50 ~ 180°C) | U: 3°F (5°C)
Temp warning on when > value
- **Fuel meter**
R: 6 levels | U: 1 level = 16.6 %
- **Fuel resistance**
R: OFF, 100 Ω , 250 Ω , 270 Ω , 390 Ω ,
510 Ω , 1200 Ω , SW
- **Low fuel warning**
R: 0 ~ 3 segment | U: 1 segment
low fuel warning will be blinking \geq value
- **Clock** R: 1:00 ~ 12:59 (12H)
- **Voltmeter**
R: DC 8.0 ~ 18.0 V | U: DC 0.1 V
- **Low voltage warning**
R: DC 8.0 ~ 13.0 V | U: 0.1
Signaling light on \geq value
- **Backlight brightness**
R: 1/5(Darkest) ~ 5/5(Brightest) | U: 1/5
- **ABS** R: ON / OFF
- **AFR**
R: ON / OFF
R: 12.1 ~ 17.5 | U: 0.1
- **Indicator lights**
Neutral / High beam / Turn signals /
Check engine / ABS / Warning
- **Effective temperature range**
14 ~ 140 °F (-10 ~ 60 °C)
- **Effective voltage**
DC 12 V

RS-2

new

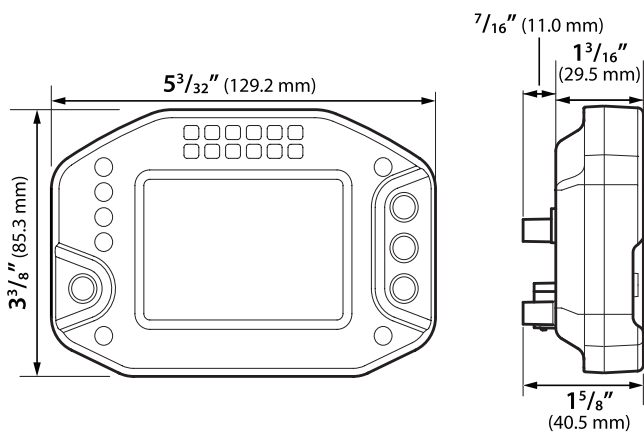
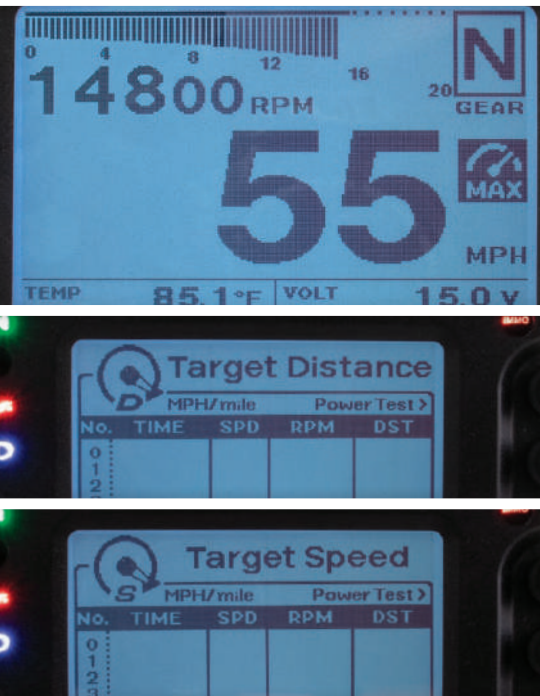
part

BA073000

Multifunction meter and Data recorder

The new RS-2 meter is a complete multifunction meter that is focused on the serious rider who likes to log their data to improve riding skills. You will be able to keep your target speed, target distance, maximum speed and maximum RPM. At the top of this meter, you will benefit from a group of red LEDs to get the right shift point.

Included is the sensor and bracket to mount and install this meter on almost all applications. Also features the choice of 8 colors in both positive and negative display for optimal reading during the day or the night.



Specifications

- **Speedometer**
R: 0 ~ 225 MPH (0 ~ 360 km/h)
U: 1 MPH or km/h (alternative)
- **Odometer**
R: 0 ~ 99,999 miles (km) | U: 1 mile (km)
- **Tripmeter A/B**
R: 0 ~ 9,999.9 miles (km)
U: 0.1 mile (km)
- **Oil maintenance**
R: 312~10,000 miles
(500 ~ 16,000 km), OFF
U: 100 km (miles)
- **Speeding warning light**
R: 0 ~ 56 MPH (0 ~ 90 km/h)
U: 1 MPH (km/h)
- **Top speed record (MAX)**
R: 0 ~ 225 MPH (0 ~ 360 km/h)
- **Tire circumference**
R: 300 ~ 2,500 mm | U: 1 mm
Sensitive point: 1 ~ 60
- **Gear indicator** R: -, N, 1 ~ 6,
- **Digital Tachometer**
R: 0 ~ 20,000 RPM | U: 100 RPM
- **Level Tachometer**
R: 0 ~ 9,000 - 12,000 - 15,000 - 18,000,
20,000 RPM
- **RPM shift-light** R: 3,000 ~ 20,000 RPM
- **Max. RPM record**
R: 0 ~ 20,000 RPM
- **RPM input (for fuel injection)**
0.5, 1.0 ~ 24.0
- **Thermometer**
R: 32.0 ~ 482.0 °F (0 ~ 250 °C)
U: 0.1 °C (°F)
- **Temperature warning**
R: 122 ~ 482°F (50 ~ 250°C) | U: 1°F (°C)
- **Top Temperature (MAX)**
R: 32.0 ~ 482.0 °F (0 ~ 250 °C)
- **Fuel meter** R: 6 levels | U: 1 level = 16.6 %
- **A/F ratio meter** R: 12.1 ~ 16.8 | U: 1 level = 0.1
- **Fuel level** R: 6 levels | U: 1 level = 16.6%
- **Fuel resistance**
R: 100 Ω, 250 Ω, 510 Ω, 1200 Ω,
SW, learning mode
- **Low fuel warning**
R: 0 ~ 3/6 | U: 1
flashing light when lower than setting value
- **ABS indicator** R: on/off
- **Clock** R: 24 H format
- **Digital Voltmeter**
R: DC 8.0 ~ 18.0 V | U: DC 0.1 V
- **Target speed timer**
D: 20 ~ 225 MPH (30 ~ 360 km/h)
R: 5 MPH (km/h)
- **Target distance timer**
D: 1/32 ~ 30/32 mile (50 ~ 1,500 m)
U: 1/32 mile (50 m)
- **Top speed timer**
R: Speed : 0 ~ 225 MPH (0 ~ 360 km/h)
Distance : 0 ~ 3,280 feet (0 ~ 999 m)
RPM : 0 ~ 20,000 RPM
Time : 0 ~ 9 : 59'99
- **Display & Backlight
(positive and negative display of the
main screen)**
R: Time setting switchover (nighttime
function is turned off when the before
and after time are the same)
- **Liquid Crystal Concentration**
R: 1/3(Darkest) ~ 3/3(Brightest)
- **Backlight brightness**
R: 1/5(Darkest) ~ 5/5(Brightest)
Separate setting for daytime and nighttime
- **Brightness (LED Bar)**
R: 1/5(Darkest) ~ 5/5(Brightest)
Separate setting for daytime and nighttime
- **Backlight colors**
R: white / green / light blue / blue / purple /
red / orange / yellow
- **Indicator lights**
Neutral / High beam / Turn signals /
Check engine / Oil level / ABS / IMMO /
- **Effective temperature range**
14 ~ 140 °F (-10 ~ 60 °C)
- **Effective voltage** DC 12 V



CHANGEABLE COLOR



same colors
also available in
negative display



HD-03

part

BA064900

Red & blue changeable LCD display



Meters for Harley-Davidson® (4 pieces)

Following the positive reviews we received from Harley enthusiasts, we decided to release the updated Baggers meter kit for touring models 2014 and up. This plug & play kit from Koso is now available to replace the stock meters without any hassle! There is no need to drill holes or to rewire the meters, they will fit directly in the OEM dash and connectors. This kit features a dual color changeable LCD display (red or blue) for a custom look to fit your motorcycle. The HD-03 kit includes a multifunction speedometer, tachometer, volt meter, and a fuel level meter. If you're looking to enhance the look of your Harley, Koso has the plug & play solution for you!

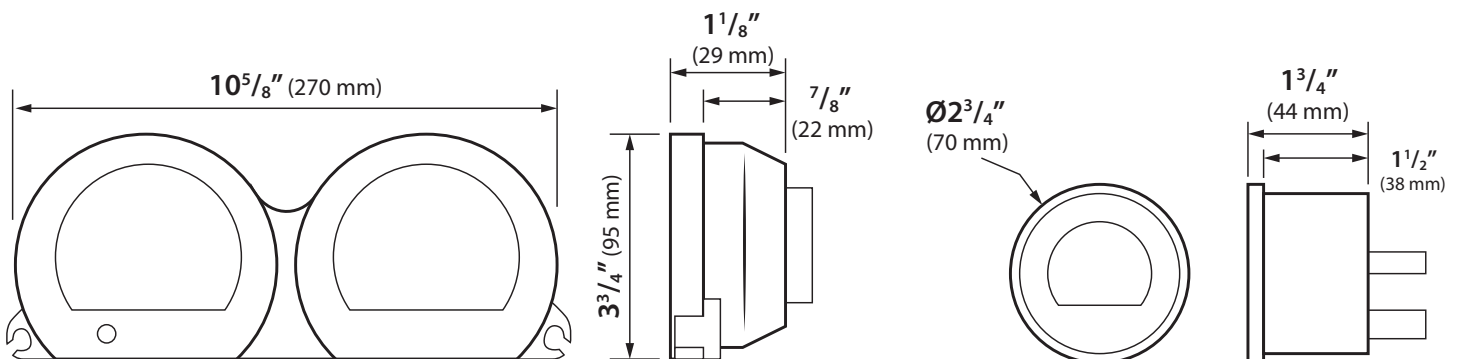


Specifications

- **Tachometer**
R: 0 ~ 9,999 RPM | U: 10 RPM
- **RPM Shift-light**
R: 2,000 ~ 8,000 RPM
Warning lights on > value
- **Maximum RPM**
R: 0 ~ 8,000 RPM | U: 100 RPM
- **Speedometer**
R: 0 ~ 199 MPH (0 ~ 299 km/h)
U: 1 MPH or km/h (alternative)
- **Overspeed warning**
R: 19 ~ 199 MPH (30 ~ 299 km/h)
Warning lights on ≥ value
- **Maximum speed record**
R: 0 ~ 199 MPH (0 ~ 299 km/h)
- **Odometer**
R: 0 ~ 999,999 miles (km) | U: 1 mile (km)
- **Tripmeter A/B**
R: 0 ~ 9,999.9 miles (km) | U: 0.1 mile (km)
- **Mileage maintenance**
R : Off / 300 ~ 10,000 miles
(500 ~ 16,000 km) ~ -999 miles
U : 100 miles (km)
- **Engine temperature**
R: HD Standard / Customize
- **Fuel meter**
R: 6 levels | U: 1 level = 16.6 %
- **Fuel warning setting**
1-HD Standard
Flashing LCD when > 211 Ω
Off LCD when < 187 Ω
2-HD Customize
Flashing LCD when < 20%
Off LCD when > 30%
- **Fuel tank volume**
OFF / 1 ~ 9.9 US gallons
- **Average fuel consumption**
OFF / MPG (US spec) / MPG (UK spec)
L / 100 km / km/L
- **Remaining mileage**
R : 0 ~ 6,249 miles (0 ~ 9,999 km)
LO RNG displayed when < 10 miles
(16 km) | U: 1 mile (km)
- **Oil temperature meter**
R: 32 ~ 248 °F (0 ~ 400 °C) | U: 1 °F or °C (alt)
- **Max. oil temperature record**
R: 32 ~ 248 °F (0 ~ 400 °C)
- **Clock**
R: 12 H or 24 H format
- **Volt meter**
R: DC 8 ~ 18 V
- **Digits brightness**
R: 1/5 (darkest) ~ 5/5 (brightest)
- **Indicator lights**
Turn signal / Water temp / Oil level /
Photometric sensing / Warning light/
Check engine / High Beam / Fog light /
Volt / Anti-theft / Cruise / ABS
- **Gear indicator**
OFF, N, P, R, 1, 2, 3, 4, 5, 6
- **Effective temperature range**
14 ~ 140 °F (-10 ~ 60 °C)
- **Effective voltage** DC 12 V
- **Fits Harley-Davidson® FLHX, FLTC & FLTR from 2014 to 2018**
- **Effective temperature range**
14 ~ 140 °F (-10 ~ 60 °C)
- **Effective voltage**
DC 12 V



CHANGEABLE COLOR



HD-03L

new

part

BA064910

Blue LED

BA064920

Red LED

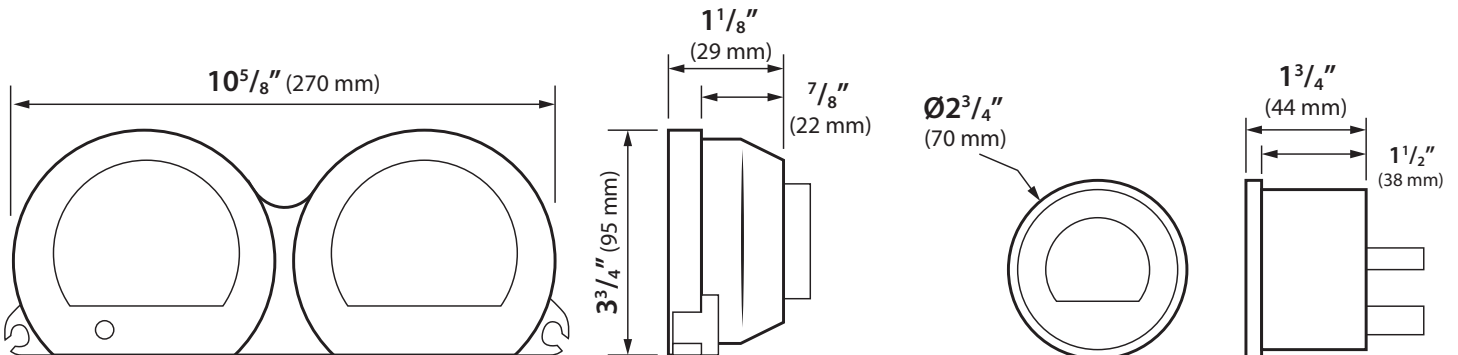
LED meters for Harley-Davidson® (4 pieces)

For the Harley enthusiasts, we decided to release the updated Baggers meter kit for touring models 2014 and up. This plug & play LED kit from Koso is now available to replace the stock meters without any hassle ! There is no need to drill holes or to rewire the meters, they will fit directly in the OEM dash and connectors. This kit features a LED display (red or blue) for a custom look to fit your motorcycle. The HD-03L kit includes a multifunction speedometer, tachometer, volt meter, a fuel level meter and an air suspension meter. If you're looking to enhance the look of your Harley, Koso has the plug & play solution for you !



Specifications

- **Tachometer**
R: 0 ~ 9,999 RPM | U: 10 RPM
- **RPM Shift-light**
R: 2,000 ~ 8,000 RPM
Warning lights on > value
- **Maximum RPM**
R: 0 ~ 8,000 RPM | U: 100 RPM
- **Speedometer**
R: 0 ~ 199 MPH (0 ~ 299 km/h)
U: 1 MPH or km/h (alternative)
- **Overspeed warning**
R: 19 ~ 199 MPH (30 ~ 299 km/h)
Warning lights on \geq value
- **Maximum speed record**
R: 0 ~ 199 MPH (0 ~ 299 km/h)
- **Odometer**
R: 0 ~ 999,999 miles (km) | U: 1 mile (km)
- **Tripmeter A/B**
R: 0 ~ 9,999.9 miles (km) | U: 0.1 mile (km)
- **Mileage maintenance**
R: Off / 300 ~ 10,000 miles
(500 ~ 16,000 km) ~ -999 miles
U: 100 miles (km)
- **Engine temperature**
R: HD Standard / Customize
- **Fuel meter**
R: 6 levels | U: 1 level = 16.6 %
- **Fuel warning setting**
 - 1-HD Standard**
Flashing LCD when > 211 Ω
Off LCD when < 187 Ω
 - 2-HD Customize**
Flashing LCD when < 20%
Off LCD when > 30%
- **Fuel tank volume**
OFF / 1 ~ 9.9 US gallons
- **Average fuel consumption**
OFF / MPG (US spec) / MPG (UK spec)
L / 100 km / km/L
- **Remaining mileage**
R: 0 ~ 6,249 miles (0 ~ 9,999 km)
LO RNG displayed when < 10 miles
(16 km) | U: 1 mile (km)
- **Oil temperature meter**
R: 32 ~ 248 $^{\circ}$ F (0 ~ 400 $^{\circ}$ C) | U: 1 $^{\circ}$ F or $^{\circ}$ C (alt)
- **Max. oil temperature record**
R: 32 ~ 248 $^{\circ}$ F (0 ~ 400 $^{\circ}$ C)
- **Clock**
R: 12 H or 24 H format
- **Volt meter**
R: DC 8 ~ 18 V
- **Air suspension**
R: 0psi ~ 200psi
- **Digits brightness**
R: 1/5 (darkest) ~ 5/5 (brightest)
- **Indicator lights**
Turn signal / Water temp / Oil level /
Photometric sensing / Warning light /
Check engine / High Beam / Fog light /
Volt / Anti-theft / Cruise / ABS
- **Gear indicator**
OFF, N, P, R, 1, 2, 3, 4, 5, 6
- **Effective temperature range**
14 ~ 140 $^{\circ}$ F (-10 ~ 60 $^{\circ}$ C)
- **Effective voltage** DC 12 V
- **Fits Harley-Davidson® FLHX, FLTC & FLTR from 2014 to 2018**



HD-02

part

6 pieces kit, silver bezel, red & blue changeable LCD display

BA050901

with ambient air temp meter

BA050905

with oil temp meter

6 pieces kit, black bezel, red & blue changeable LCD display

BA050903

with ambient air temp meter

BA050907

with oil temp meter



meters for Harley-Davidson® (6 pieces)

Our R&D department worked hard to create something new and modern for Harleys. The engineers responded by coming up with a complete plug & play system to replace the stock meters. No need to drill holes or to rewire the meters, they will all fit directly in the OEM dash and connectors. Both silver and black bezel kits feature a dual color changeable LCD display (red or blue) for a custom look.

The 6 piece kit includes a 4" speedometer, 4" tachometer with gear position, 2" oil pressure meter, 2" fuel level meter, a 2" volt meter and the choice of a 2" ambient temperature meter or 2" oil temperature meter. This meter is a great addition to all Harley FLHT, FLHX, and FLTR from 2004 to 2013.

* Fits Harley-Davidson® FLHT, FLHX & FLTR from 2004 to 2013. ** Gauges can be sold separately **



(R = Range U = Unit)

Specifications for all HD-02 meters

■ Effective temperature range
14 ~ 140 °F (-10 ~ 60 °C)

■ Power DC12V

HD-02S 4" speedometer

Our plug & play speedometer is equipped with a 2 color changeable LCD display. This meter provides the basic function of speed, odometer and tripmeter. It also includes a clock and all the necessary indicator lights.

BA051000

silver bezel

BA051010

black bezel

Specifications

- **Speedometer**
R: 0 ~ 225 MPH (0 ~ 360 km/h)
U: 1 MPH or km/h (alternative)
- **Speedometer levels**
R: 0 ~ 120 MPH (0 ~ 200 km/h)
U: ± 2.5 MPH (± 4.2 km/h)
- **Odometer**
R: 0 ~ 999,999 miles (km) | U: 1 mile (km)
- **Tripmeter A/B**
R: 0 ~ 9,999.9 miles (km) | U: 0.1 mile (km)
- **Clock** R: 12 H or 24 H format
- **Indicator lights**
Neutral/ Anti-theft / Check engine / Volt / Low fuel



HD-02R 4" tachometer

Our plug & play 0 to 8,000 RPM meter is equipped with a 2 color changeable LCD display. Not only does this meter provide the engine RPM, it displays the gear position, cruise control and ABS indicator light as well. Connecting the instrument to a DC 12 V source of power.

BA051100

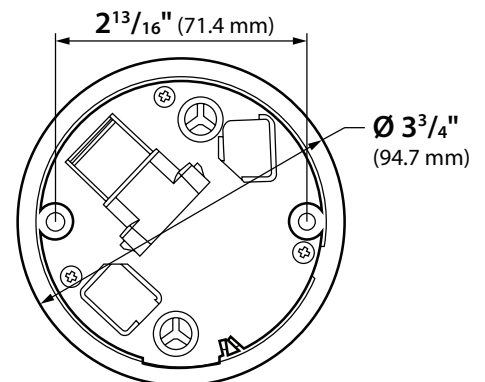
silver bezel

BA051110

black bezel

Specifications

- **Digital tachometer**
R: 0 ~ 8,000 RPM
- **Tachometer levels**
R: 0 ~ 8,000 RPM | U: ± 166 RPM
- **Engine temperature**
14 ~ 255 °F (-17 ~ 123 °C)
- **Gear indicator**
N, P, R, 1, 2, 3, 4, 5, 6
- **Indicator lights**
Cruise control / ABS



HD-02S 2" oil pressure meter

This plug and play oil pressure meter is equipped with a 2 color changeable LCD display. It provides the engine oil pressure from 0 to 60 PSI.

BA050410
silver bezel

BA050430
black bezel

Specifications

- Oil pressure indicator
R: 0 ~ 60 PSI | U: 1 PSI
- Oil pressure warning
R: 5 ~ 60 PSI | U: 0.1 PSI



HD-02F 2" fuel level meter

This plug & play fuel meter is equipped with a 2 color changeable LCD display. It will precisely display the percentage of fuel left in the tank.

BA050200
silver bezel

BA050210
black bezel

Specifications

- Fuel meter
R: 0 ~ 100% | U: 1%



HD-02V 2" volt meter

This plug & play volt meter is equipped with a 2 color changeable LCD display. It will provide you the battery voltage from DC 8 to 16 volts.

BA050300
silver bezel

BA050310
black bezel

Specifications

- Volt meter
R: DC 8 ~ 16 V | U: DC 1 V



HD-02T 2" ambient air temp. meter

This plug & play ambient air temperature meter is equipped with a 2 color changeable LCD display. It will provide you with the outdoor temperature from 0 to 120 °F and is easy to connect and install.

BA050000

silver bezel

BA050020

black bezel

Specifications

- Ambient air temp. meter
R: 0 ~ 120 °F
U: 1 °F
- Ambient air temp. warning
R: 15 ~ 65 °F
U: 1 °F

* celsius temperature displayed only when used in the 6 pcs kit



HD-02F 2" oil temperature meter

This plug & play oil temperature meter is equipped with a 2 color changeable LCD display. It will provide you with the oil temperature from 0 to 400 °F and is easy to connect and install.

BA050500

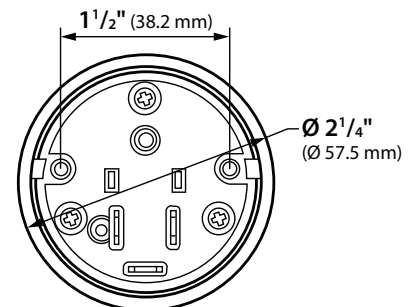
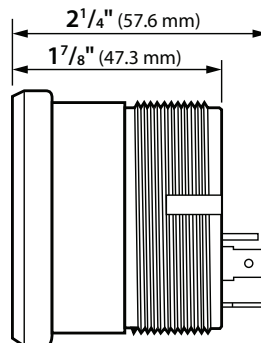
silver bezel

BA050510

black bezel

Specifications

- Oli temp. meter
R: 0 ~ 400 °F (32 ~ 204 °C)
U: 1 °F (alternative)
- Oil temp. warning
R: 150 ~ 400 °F (66 ~ 204 °C)
U: 1 °F (alternative)



HD-04

part

Fits XL-883 & XL-1200 2004 to 2013 & Dyna 2004-2011

BA051201

silver bezel

BA051211

black bezel

Fits XL-883 & XL-1200 2014+, Softail 2011+ & Dyna 2012+

BA051221

silver bezel

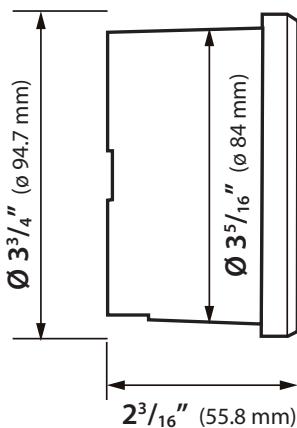
BA051231

black bezel

meter for Harley-Davidson®

You can now customize your sportster with our high-quality plug & play meter that is equipped with a 8 color changeable LCD display. Its stepper motor provides a precise and fast response so that you can get accurate real time information. Some of the great functions this meter has to offer are : speed, RPM, indicator lights, fuel level, and gear position indicator.

Available in silver or black bezel, this is a great modern update for your sportster.



(R = Range U= Unit)

Specifications

- **Speedometer**
R: 0 ~ 225 MPH (0 ~ 360 km/h)
U: 1 MPH or km/h
- **Odometer**
R: 0 ~ 999,999 miles (km) U: 1 mile (km)
- **Tripmeter A/B**
R: 0 ~ 9,999.9 miles (km)
U: 0.1 mile (km)
- **Tachometer**
R: 0 ~ 8,000 RPM | U: 100 RPM
- **Shift light warning**
R: 2,000 ~ 8,000 RPM | U: 100 RPM
Warning light on \geq value
- **Maximum RPM warning mode**
R: light on (F-OFF) flash (F-ON)
- **Tire circumference**
R: 50 ~ 210 % | U: 1 %
- **Engine temperature meter**
R: -40 ~ 419 °F (-40 ~ 215 °C)
U: 1 °F or °C (alternative)
- **Fuel level**
R: 6 levels | U: 1 level = 16.67%
- **Clock**
R: 12 H or 24 H format
- **Backlight colors**
White / Light Blue / Blue / Purple / Red / Orange / Yellow / Green
- **Gear indicator**
R: Off, N, 1, 2, 3, 4, 5
- **Indicator lights**
RPM shift light / Check engine /
Oil level / High beam / Turn signals /
ABS / Anti-theft
- **Effective temperature range**
14 ~ 140 °F (-10 ~ 60 °C)
- **Effective voltage**
DC 12 V
- **Fits Harley 3 3/8" stock meter mounting cup models**

8
CHANGEABLE COLOR



HD-05

part

BA072100

2004 to 2011 Dyna models
2004 to 2010 Softails models
2004 to 2013 Road King models

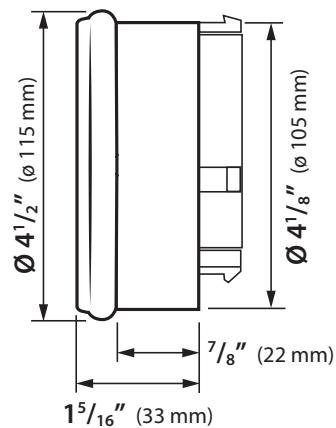
BA072000

2012 to newer Dyna models
2011 to newer Softails models
2014 to newer Road King models



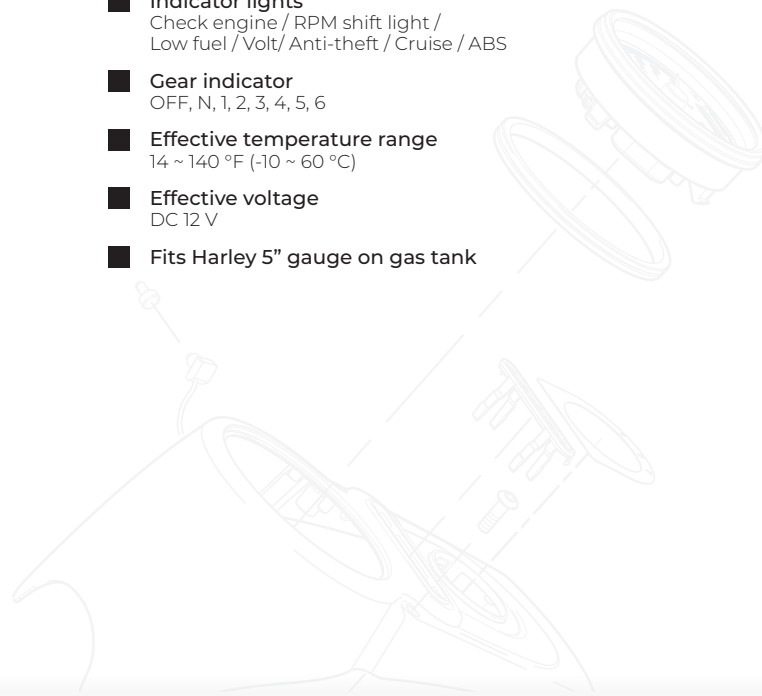
multifunction meter for Harley-Davidson®

The all-new 100% plug and play HD-05 series for 4 1/2" gas tank mounted Harley-Davidson® models features a tach and speedo combo with a programmable shift light with gear indicator. This gauge also features vital readings such as engine temperature and battery voltage along with average fuel economy and a complete system of indicators to monitor your bikes vital signs. This plug and play kit fits directly into the stock harness and works directly in relation with your bikes CANBUS system.



Specifications

- **Speedometer**
R: 0 ~ 225 MPH (0 ~ 360 km/h)
U: 1 MPH or km/h
- **Tachometer**
R: 0 ~ 8,000 RPM
- **RPM Shift-light**
R: 2,000 ~ 8,000 RPM | U: 100 RPM
Warning lights on > value
- **Maximum RPM mode**
R: Light on (F-OFF), Flash (F-ON)
- **Speedometer**
R: 0 ~ 225 MPH (0 ~ 360 km/h)
U: 1 MPH or km/h
- **Odometer**
R: 0 ~ 999,999 miles (km) U: 1 mile (km)
- **Tripmeter A/B**
R: 0 ~ 9,999.9 miles (km)
U: 0.1 mile (km)
- **Tire circumference**
R: 50 ~ 210% | U: 1%
- **Engine temperature**
R: -40 ~ 419 °F (-40 ~ 215 °C)
U: 0.1 °F or °C (alternative)
- **Fuel level**
R: 6 levels | U: 1 level = 16.6 %
- **Fuel tank volume**
OFF / 1 ~ 9.9 US gallons
- **Average fuel consumption**
OFF / MPG (US spec) / MPG (UK spec)
L/100 km / km/L
- **Mileage maintenance**
R : Off / 300 ~ 10,000 miles
(500 ~ 16,000 km) | U : 100 miles (km)
- **Remaining mileage**
R: 0 ~ 9,999 miles
LO RNG displayed when < 10 miles
(16 km)
- **Clock**
R: 12 H or 24 H format
- **Volt meter**
R: DC 8 ~ 18 V
- **Backlight brightness**
R: 1/5 (darkest) ~ 5/5 (brightest)
- **Backlight colors**
White / light Blue / Blue / Purple /
Red / Orange / Yellow / Green
- **Indicator lights**
Check engine / RPM shift light /
Low fuel / Volt / Anti-theft / Cruise / ABS
- **Gear indicator**
OFF, N, 1, 2, 3, 4, 5, 6
- **Effective temperature range**
14 ~ 140 °F (-10 ~ 60 °C)
- **Effective voltage**
DC 12 V
- **Fits Harley 5" gauge on gas tank**



CHANGEABLE COLOR



HD-01S

part

BB551B42

Specifications

(R = Range U= Unit)

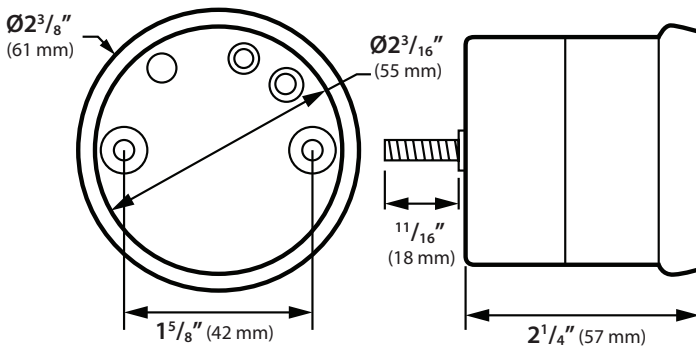
- **Speedometer**
R: 0 ~ 220 km/h
U: 1 km/h
- **Odometer**
R: 0 ~ 999.9 km | U: 1 km
- **Tripmeter A/B**
R: 0 ~ 999.9 miles (km) | U: 0.1 mile (km)
- **Effective temperature**
R: 14 ~ 140 °F (-10 ~ 60 °C)
- **Effective voltage DC 12 V**
- Works with OEM H-D® transmission speed sensor or Koso speed sensor for H-D®



Speedometer for Harley-Davidson® (km/h)

The HD-01S for Harley-Davidson® features a speedometer, an odometer, and a tripmeter. This instrument will fit the OEM speed sensor. Want something different? This is the right meter.

* IMPORTANT : Will not work with CANBUS system. ** Speed sensor not included



HD-01R

Tachometer for Harley-Davidson® (with oil pressure)

The HD-01R for Harley-Davidson® features a tachometer and oil pressure meter that serves as a warning function and could prevent damages from occurring to the motor. This meter features with a stepper motor and LCD screen.

* IMPORTANT : Will not work with CANBUS system.



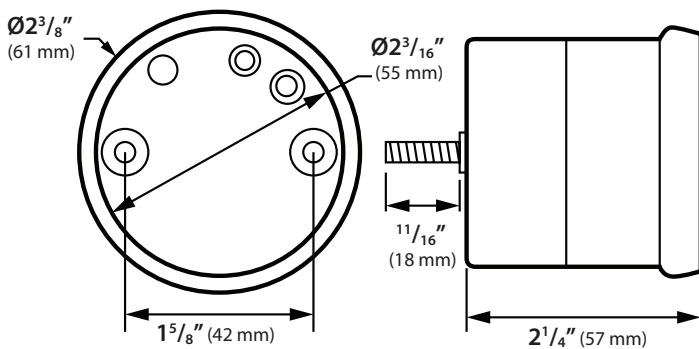
part

BB551B20

Specifications

(R = Range U= Unit)

- **Tachometer**
R: 0 ~ 9,000 RPM | U: ± 100 RPM
- **Stroke / piston setting**
2 stroke: 1, 2, 3, 4 pistons
4 stroke: 1, 2, 3, 4, 5, 6, 8, 10, 12 pistons
- **Oil pressure R:** 0 ~ 75 PSI
- **Effective temperature**
R: 14 ~ 140 °F (-10 ~ 60 °C)
- **Effective voltage DC 12 V**
- **Should be used with**
Harley-Davidson® sensor 74438-99A
(H-D® jumper wire oil pressure sensor 32806-00)
- **Some motorcycles might require**
adjustable RPM signal filter
BO035000 in order to work correctly
- **Effective voltage DC 12 V**
- **Works with OEM H-D® transmission**
speed sensor or Koso speed sensor
for H-D®



HD-Oil Dipstick

part

BA053101

black casing, fits 2017 + models

BA053111

silver casing, fits 2017 + models

BA053001

black casing, fits 2007 - 2016
Touring models

BA053011

silver fits 2007 - 2016
Touring models

new

HD Oil Dipstick

The Harley Davidson Oil dipstick by Koso is a fast and simple solution to verifying oil level as well as temperature. The push to power technology provides the ability to check your bike's oil vital signs on the go or at a red light with ease.



(R = Range U= Unit)

Specifications

- **Thermometer**
R: 32~302°F (0~150 °C)
U: 1 °F (°C)
- **Oil level** R: 1~4 levels
- Low oil level warning
- 1 step install no wiring needed
- Power: CR2032 battery

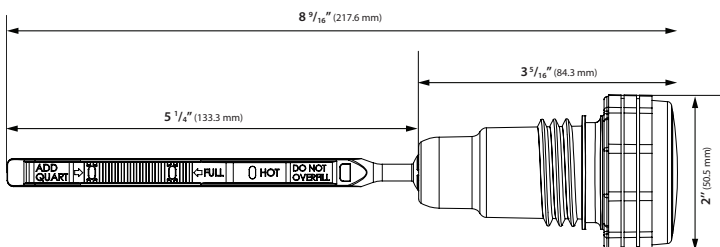




photo by Mario Léger

part
BH000K00

Volt meter

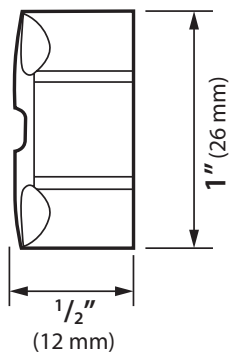
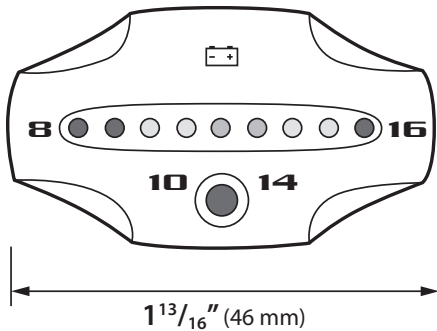
This LED volt meter is built in a nice and compact CNC aluminum casing. The green, yellow and red LED will help you to know the strength of your battery at any time. Its LED red warning light could even save you from bad trouble!



(R = Range U= Unit)

Specifications

- **Voltage indicator**
R: DC 8 ~ 16 V U: DC 1 V
- **Effective voltage**
DC 12 V
- **Safety voltage** R: LED zone of the DC 12 ~ 13 V is showing on green



DB-01R+

part

BA027002

Multifunction meter

Our DB-01R+ multifunction meter is an upgraded version of our popular DB-01R multifunction meter. Perfect for motorcycles, street fighters or dual-sports motorcycles, this meter features a large LCD display which uses a 3 different color changeable backlight to makes it easier to read during day or night riding.

Get every information you need on this unique and lightweight meter that will enhance your motorcycle.



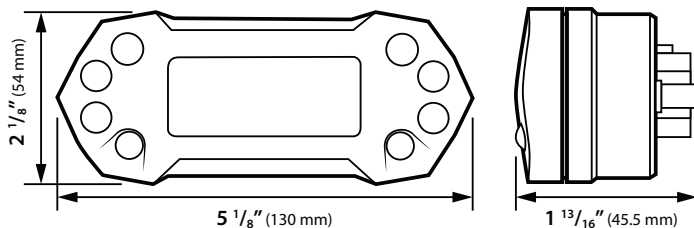
(R = Range U= Unit)

Specifications

- **Speedometer**
R: 0 ~ 225 MPH (0 ~ 360 km/h)
U: 1 MPH or km/h (alternative)
- **Odometer**
R: 0 ~ 99,999 miles (km) | U: 1 mile (km)
- **Tripmeter A/B**
R: 0 ~ 999.9 miles (km) | U: 0.1 mile (km)
- **Tire circumference**
R: 300 ~ 2,500 mm | U: 1 mm
Sensitive point: 1 ~ 20
- **Graph bar tachometer**
R: 10,000 / 12,000 / 15,000 RPM
U: 500 RPM
- **RPM input pulse**
R: 0.5, 1, 1.5, 2, 2.5, 3, 4, 5, 6
- **Fuel meter**
R: 10 levels | U: 1 level = 16.6 %
- **Fuel resistance**
R: 100 Ω / 250 Ω / 510 Ω / 510 Ω / 1,200 Ω
- **Low fuel warning**
R: 0.1 ~ 16.6% (flashing) | R: 0 (light on)
- **Stroke / piston setting**
2 stroke: 1, 2, 3, 4 pistons
4 stroke: 1, 2, 3, 4, 5, 6, 8, 10, 12 pistons
- **Indicator lights**
Neutral / High beam / Turn signals /
Check engine / Oil level / Low fuel
- **Effective temperature range**
14 ~ 140 °F (-10 ~ 60 °C)
- **Effective voltage DC 12 V**
- **Sensor included**
Passive speed sensor : BF019J06



3
CHANGEABLE COLOR



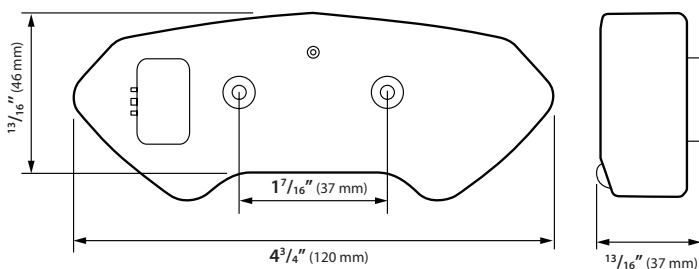
DB-01RN

part

BA041000

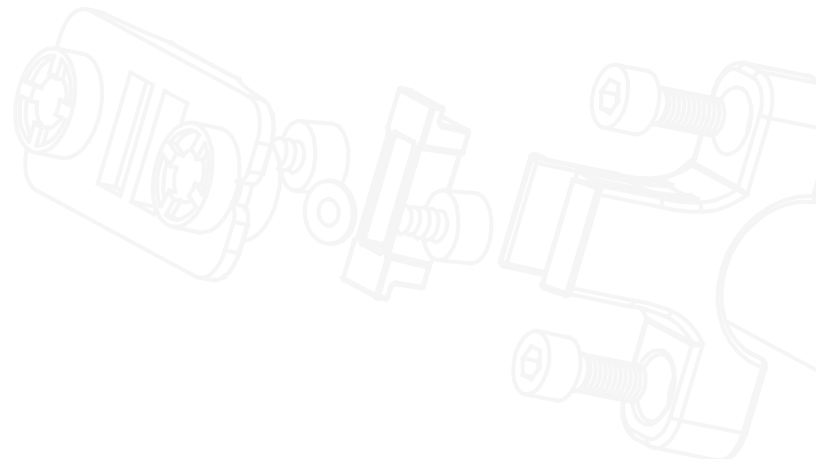
Multifunction meter

The DB-01RN multifunction meter is a true complete meter. Designed to look great on any type of bike, its large display and easy to use functions make this meter very simple to use while at the same time providing you with a unique stand out look that all riders look for.



Specifications

- **Speedometer**
R: 0 ~ 225 MPH (0 ~ 360 km/h)
Will blink when exceed range
U: 1 MPH or km/h (alternative)
- **Internal odometer**
R: 0 ~ 99,999 miles (km) | U: 1 mile (km)Not user adjustable
- **External odometer**
R: 0 ~ 99,999 miles (km) | U: 1 mile (km)
- **Tripmeter A/B**
R: 0 ~ 999.9 miles (km) | U: 0.1 mile (km)
- **Oil maintenance mileage**
U: 1 mile (km) | R 300 ~ 5,000 miles (500 ~ 8,000 km) Up to -999 miles (-999km) when exceeds 0.
- **Speeding warning light**
R: 20 ~ 110 MPH (30 ~ 180 km/h)
U: 5 MPH (km/h)
- **Top speed record**
R: 0 ~ 225 MPH (0 ~ 360 km/h)
U: 1 MPH(km)
- **Average speed record**
R: 0 ~ 225 MPH (0 ~ 360 km/h)
- **Tire circumference**
R: 300 ~ 2,500 mm | U: 1 mm
Sensitive point: 1 ~ 20
- **Tachometer**
R: 0~15,000 RPM | U: 10 RPM
- **Level tachometer**
R: 0 ~ 10,000 RPM | U: 333 RPM
R: 0 ~ 12,000 RPM | U: 400 RPM
R: 0 ~ 15,000 RPM | U: 500 RPM
- **Maximum RPM record**
R: 0 ~ 15,000 RPM
- **RPM input signal number**
R: P-0.5, P-1 ~P-25
- **RPM input pulse**
R: HI-ACT (positive wave pulse) LO-ACT (negative wave pulse)
- **Total hour meter**
R: 0 ~ 99,999.9 hours | U: 0.1 hour
- **Hour meter A/B**
R: 0 ~ 9,999.9 hours
- **Staged fuel level**
R: 10 levels | Flashing light when lower then setting value
- **Digital fuel meter** R: 0 ~ 100 %
- **Low fuel warning**
R: 10 ~ 50% | U: 10%
Flashing light when lower then setting value
- **Fuel resistance**
R: 100 Ω / 250 Ω / 270 Ω / 510 Ω / 1200 Ω / Switch / User
- **Volt meter** R: DC 8 ~ 16 V
- **Clock** R: 12 H or 24 H format (alternative)
- **Indicator lights**
Neutral / High beam / Turn signals / Check engine / Oil level / Water temperature / Low fuel
- **Effective temperature range**
14 ~ 140 °F (-10 ~ 60 °C)
- **Effective voltage**DC 12 V



DB-02

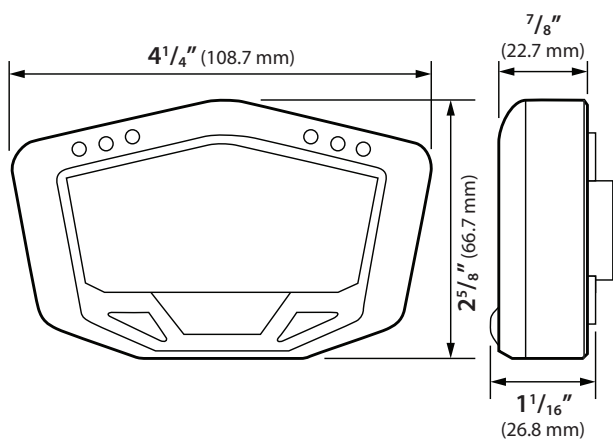
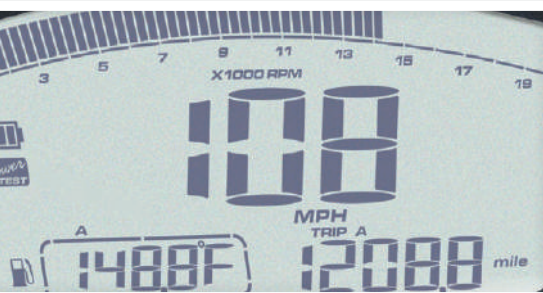
part

BA022W00

Multifunction meter (Off-Road version)

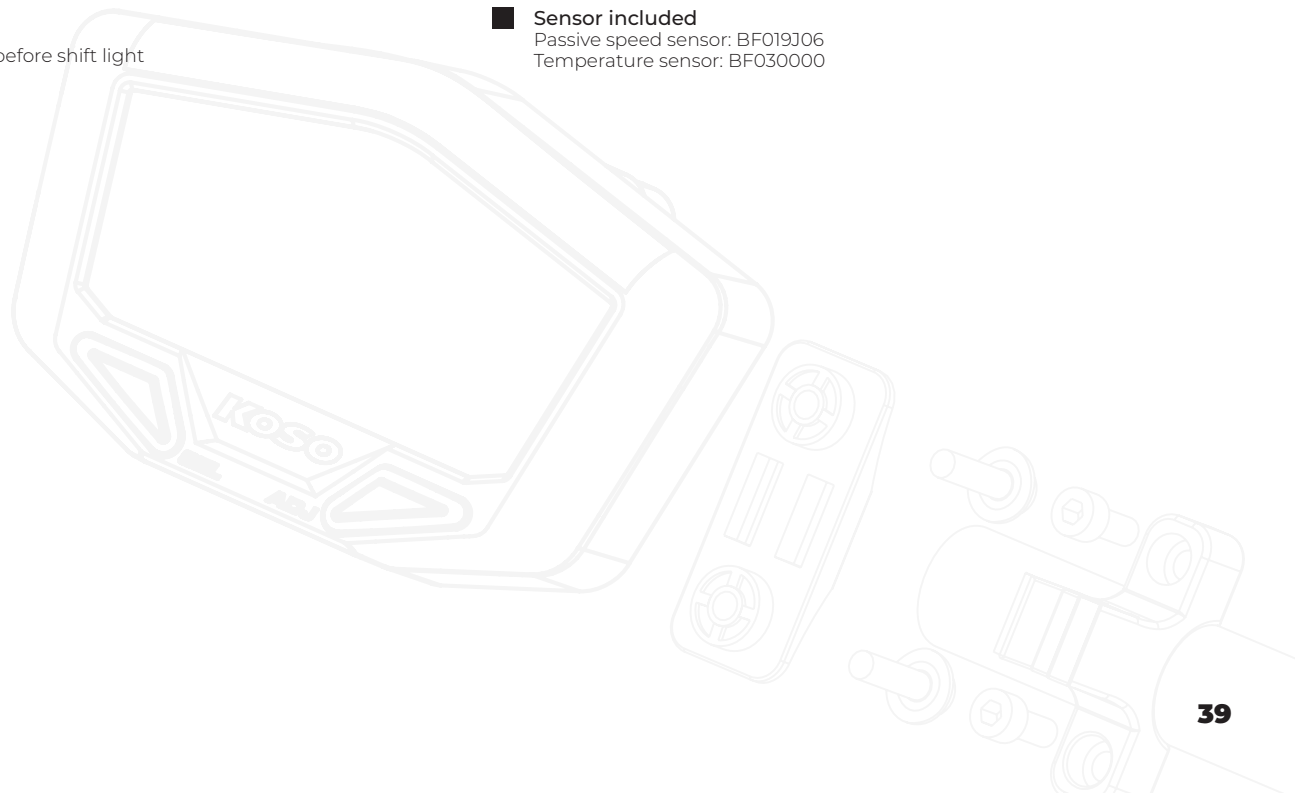
This DB-02 multifunction meter was especially made to fit your off-road needs. Its small inner battery makes it usable on all dirt bikes and ATV's that don't have a DC 12 V battery. Its great shape and nice LCD display make it the perfect meter to get for your off-road use. The changeable RPM scale allows this meter to fit on about any engine applications.

This instrument also features a 3 stage shift light that allows you to shift your gears perfectly. Beside those great functions, the DB-02 multifunction meter features : speed, odometer, tripmeter, RPM, inner battery level, temperature, hour meter, and more.



Specifications

- **Speedometer**
R: 0 ~ 225 MPH (0 ~ 360 km/h)
U: 1 MPH or km/h (alternative)
- **Odometer**
R: 0 ~ 99,999 miles (km) | U: 1 mile (km)
- **Tripmeter A/B**
R: 0 ~ 999.9 miles (km) | U: 0.1 mile (km)
- **Speeding warning light**
R: 20 ~ 225 MPH (30 ~ 360 km/h)
- **Top speed record**
R: 0 ~ 225 MPH (0 ~ 360 km/h)
U: 1 MPH(km)
- **Average speed record**
R: 0 ~ 225 MPH (0 ~ 360 km/h)
- **Tire circumference**
R: 300 ~ 2,500 mm | U: 1 mm
Sensitive point: 1 ~ 6
- **Tachometer**
R: 0~20,000 RPM | U: 10 RPM
- **Level tachometer** 60 levels
R: 0 ~ 10,000 RPM | U: 166 RPM
R: 0 ~ 15,000 RPM | U: 250 RPM
R: 0 ~ 25,000 RPM | U: 333 RPM
- **RPM input signal number**
R: P-0,5, P-1 ~ P-25
- **RPM shift light**
R: -5,000 ~ -20,000 RPM | U: 100 RPM
- **Pre-shift light A/B**
R: 500 ~ 5,000 RPM before shift light
U: 100 RPM
- **Maximum RPM record**
R: 0 ~ 20,000 RPM
- **RPM input pulse**
R: 0.5, 1, 1.5, 2, 2.5, 3, 4, 5, 6
- **Hour meter**
R: 0 ~ 999,9 hours | U: 0.1 hour (6s)
- **Thermometer A/B**
R: 32 ~ 482 °F (0 ~ 250 °C)
Unit: 0.1 °F or °C (alternative)
- **Over temperature warning A/B**
R: 140 ~ 482°F (60 ~ 250°C) | U: 1°F (°C)
- **Top temperature record**
R: 32 ~ 482 °F (0 ~ 250 °C)
- **Volt meter**
R: DC 8 ~ 16 V | U: DC 0.1 V
- **Clock** R: 24 H format
- **Indicator lights**
Speeding / Temperature alarm (A/B) / RPM shift light A / RPM shift light B / RPM shift light.
- **Effective temperature range**
14 ~ 140 °F (-10 ~ 60 °C)
- **Effective voltage** DC 12 V
- **Battery type** CR 2032
- **Battery lifetime** ± 220 hours nonstop
- **Sensor included**
Passive speed sensor: BF019J06
Temperature sensor: BF030000



DB-02R

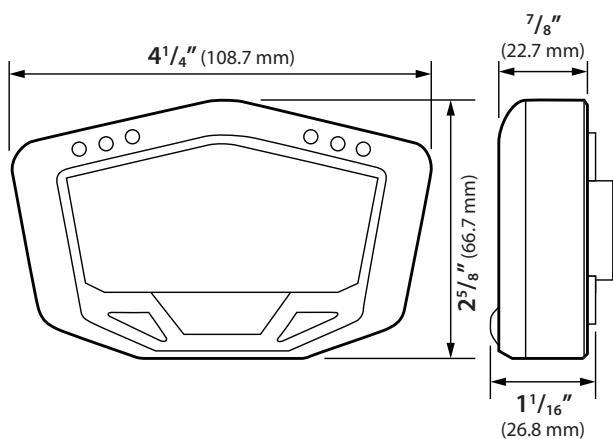
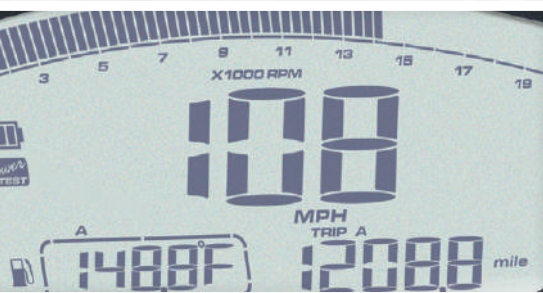
part

BA022W10

Multifunction meter (Street/race version)

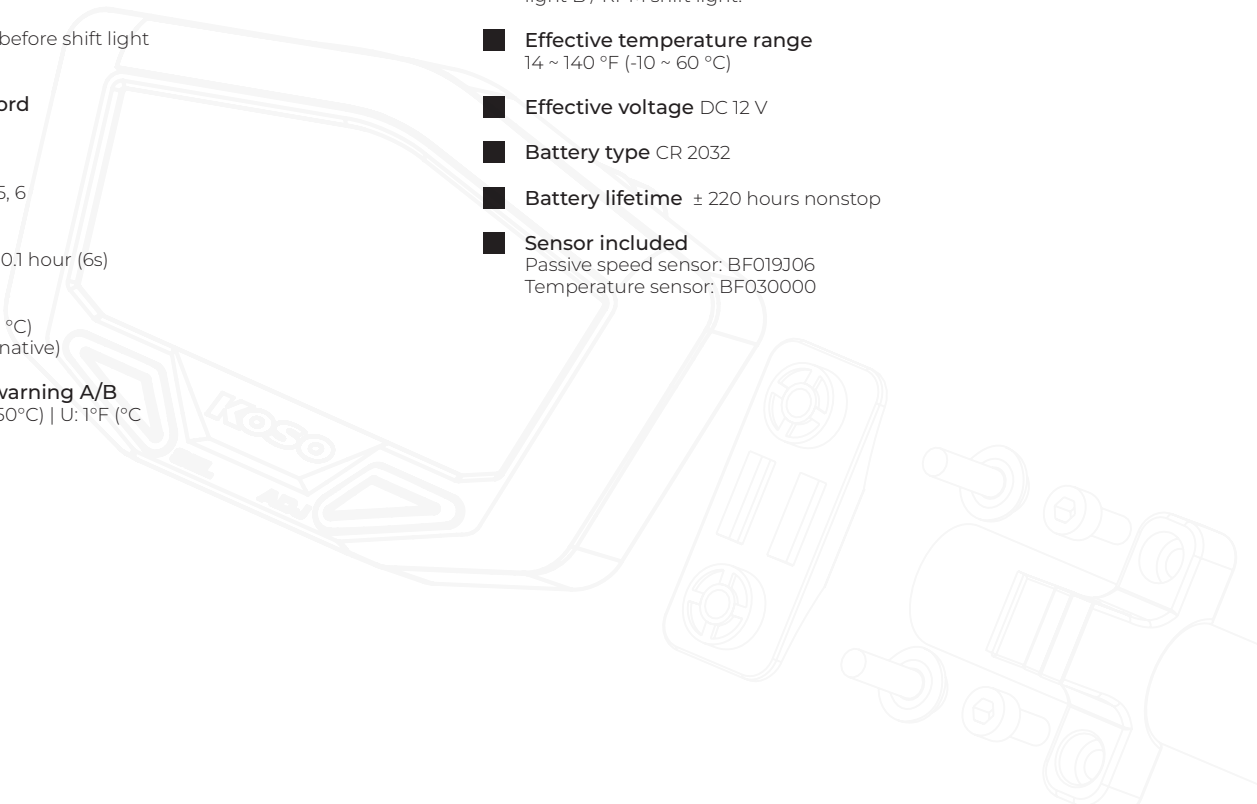
The DB-02R multifunction meter was especially made to fit your street or race bike needs. Its white backlight makes it very easy to read at night even at high speed. Its great shape and nice LCD display make it the perfect meter to get for your street or race bike. The changeable RPM scale allows this meter to fit about any engine applications.

This instrument also features a 3 stage shift light that allows you to shift your gears perfectly. Beside those great functions, the DB-02 multifunction meter features : speed, odometer, tripmeter, RPM, inner battery level, temperature, hour meter, and more.



Specifications

- **Speedometer**
R: 0 ~ 225 MPH (0 ~ 360 km/h)
U: 1 MPH or km/h (alternative)
- **Odometer**
R: 0 ~ 99,999 miles (km) | U: 1 mile (km)
- **Tripmeter A/B**
R: 0 ~ 999.9 miles (km) | U: 0.1 mile (km)
- **Speeding warning light**
R: 20 ~ 225 MPH (30 ~ 360 km/h)
- **Top speed record**
R: 0 ~ 225 MPH (0 ~ 360 km/h)
U: 1 MPH(km)
- **Tire circumference**
R: 300 ~ 2,500 mm | U: 1 mm
Sensitive point: 1 ~ 6
- **Tachometer**
R: 0 ~ 20,000 RPM | U: 10 RPM
- **Level tachometer** 60 levels
R: 0 ~ 10,000 RPM | U: 166 RPM
R: 0 ~ 15,000 RPM | U: 250 RPM
R: 0 ~ 20,000 RPM | U: 333 RPM
- **RPM shift light**
R: 5,000 ~ 20,000 RPM | U: 100 RPM
- **Pre-shift light A/B**
R: -500 ~ -5,000 RPM before shift light
U: 100 RPM
- **Maximum RPM record**
R: 0 ~ 20,000 RPM
- **RPM input pulse**
R: 0.5, 1, 1.5, 2, 2.5, 3, 4, 5, 6
- **Hour meter**
R: 0 ~ 999.9 hours | U: 0.1 hour (6s)
- **Thermometer A/B**
R: 32 ~ 482 °F (0 ~ 250 °C)
Unit: 0.1 °F or °C (alternative)
- **Over temperature warning A/B**
R: 140 ~ 482°F (60 ~ 250°C) | U: 1°F (°C)
- **Top temperature record**
R: 32 ~ 482 °F (0 ~ 250 °C)
- **Fuel meter** R: 0 ~ 100%
- **Fuel resistance**
R: 100 Ω / 510 Ω / no display
- **Low fuel warning** R: 10 ~ 50% | U: 10%
- **Target speed timer**
D: 20 ~ 225 MPH (30 ~ 360 km/h)
R: 5 MPH (km/h)
- **Target distance timer**
D: 1/32 ~ 30/32 mile (50 ~ 1,500 m)
U: 1/32 mile (50 m)
- **Top speed timer**
Speed : 0 ~ 225 MPH (0 ~ 360 km/h) Distance : 0 ~ 3,280 feet (0 ~ 999 m)
RPM : 0 ~ 20,000 RPM
Timer : 0 ~ 9'59"99
- **Volt meter**
R: DC 8 ~ 16 V | U: DC 0.1 V
- **Clock** R: 24 H format
- **Indicator lights**
Speeding / Temperature alarm (A/B) / RPM shift light A / RPM shift light B / RPM shift light.
- **Effective temperature range**
14 ~ 140 °F (-10 ~ 60 °C)
- **Effective voltage** DC 12 V
- **Battery type** CR 2032
- **Battery lifetime** ± 220 hours nonstop
- **Sensor included**
Passive speed sensor: BF019J06
Temperature sensor: BF030000



DB-03R

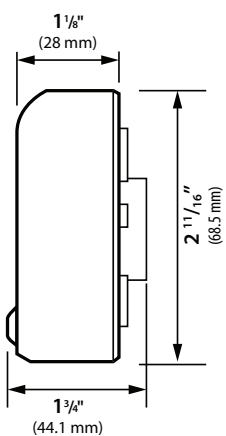
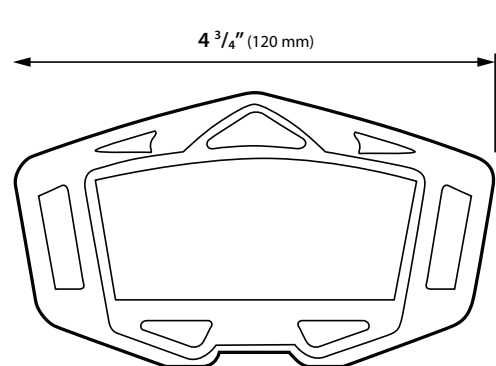
part

BA038000

Multifunction meter

The DB-03R is a multifunction meter with a modern casing that provides necessary critical readings. The DB-03r features all standard indicators needed to operate a vehicle on the street as well as 3 adjustable RPM/TACH scales to choose from in the settings. The DB-03R also features a three color changeable backlight.

Other functions include: Speedometer, odometer, trip, temperature, voltage and fuel level.



Specifications

- **Speedometer**
R: 0 ~ 225 MPH (0 ~ 360 km/h)
U: MPH or km/h
- **Odometer**
R: 0 ~ 99,999 miles (km) | U: 1 mile (km)
- **Tripmeter A/B**
R: 0 ~ 999.9 miles (km) | U: 0.1 mile (km)
- **Total hour meter**
R: 0 ~ 99,999 H | U: 1 H
- **Hour meter A/B**
R: 0 ~ 999.9 H | Unit: 0.1 H
- **Tire circumference**
R: 300 ~ 2,500 mm | U: 1 mm
Sensitive point: 1 ~ 20
- **Tachometer R:**
10,000 RPM (1 level = 166 RPM)
12,000 RPM (1 level = 200 RPM)
15,000 RPM (1 level = 250 RPM)
- **RPM warning / shift-light**
R: 1,000 ~ 15,000 RPM | U: 100 RPM
- **Warning**
Light on (F-OFF) | Flash (F-ON)
- **Maximum RPM record**
R: 0 ~ 10,000 / 12,000 / 15,000 RPM
- **RPM input signal number setting**
R: 0.5, 1 ~ 24
- **RPM input pulse**
R: HI-ACT (positive wave pulse)
LO-ACT (negative wave pulse)
- **Volt meter**
R: DC 8 ~ 18 V
Flashing warning when voltage is lower than DC 11.5 V or higher than DC 15.5 V
- **Thermometer**
R: 32 ~ 482 °F (0 ~ 250 °C)
U: 0.1 °F or °C (alternative)
- **Over temperature warning**
R: 140 ~ 482°F (60 ~ 250°C) | U: 1°F (°C)
- **Top temperature record**
R: 0 ~ 482°F (250°C)
- **Fuel meter**
R: 6 levels | U: 1 level = 16.6 %
- **Fuel resistance**
R: 100 Ω / 250 Ω / 510 Ω / 1,200 Ω / SW
- **Clock R:** 24 H format
- **Backlight brightness**
R: 1/5 (darkest) ~ 5/5 (brightest)
- **Backlight colors**
Blue / Orange / Purple
- **Indicator lights**
Neutral / High beam / Turn signals/
Check engine Oil level / Temperature /
Speeding / RPM shift light
- **Gear indicator**
R: N, 1, 2, 3, 4, 5, 6, 7, 8, 9
- **Effective temperature range**
14 ~ 140 °F (-10 ~ 60 °C)
- **Effective voltage** DC 12 V
- **Sensor included**
Passive speed sensor: BF019J06
Temperature sensor: BF030000



CHANGEABLE COLOR

XR-01

part
BB026000

Speedometer (Off-Road version)

Thinner and lighter than its previous version, the XR-S speedometer, our innovative XR-01 speedometer most importantly features a larger, higher quality and easy to read LCD display. New interesting functions were added such as a 2 hour meter readings, a maintenance hour meter for oil change, 2 tripmeter readings, and a useful clock.

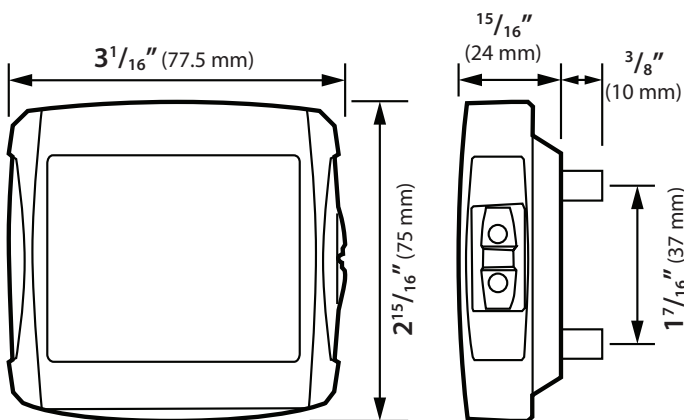
This meter is simple, user-friendly, and easy to read during day or night riding. The XR-01 speedometer is a great fit for any kind of motorcycle, scooter, ATV and more !



(R = Range U= Unit)

Specifications

- **Speedometer**
R: 0 ~ 225 MPH (0 ~ 360 km/h)
U: 1 MPH or km/h (alternative)
- **Odometer**
R: 0 ~ 99,999 miles (km) | U: 1 mile (km)
- **Tripmeter A/B**
R: 0 ~ 9,999.9 miles (km)
U: 0.1 mile (km)
- **Oil maintenance mileage**
R: 300 ~ 5,000 Miles (km) | U: 1 MPH(km)
- **Hour meter** R: 0 ~ 99,999 hours | U: 1 H
- **Hour meter A/B**
R: 0 ~ 9,999 hours | U: 0.1 H
- **Top speed record**
R: 0 ~ 225 MPH (0 ~ 360 km/h)
- **Average speed record**
R: 0 ~ 225 MPH (0 ~ 360 km/h)
- **Tire circumference**
R: 300 ~ 2,500 mm | U: 1 mm
Sensitive point: 1 ~ 6
- **Volt meter**
R: DC 8 ~ 18 V | Flashing light when <DC 11.5 V or >DC 15.5 V
- **Backlight brightness**
R: 1/5 (darkest) ~ 5/5 (brightest)
- **Fuel level** R: 6 levels
- **Fuel resistance**
R: 100 Ω / 250 Ω / 510 Ω / USER
- **Clock** R: 24 H format
- **Effective temperature range**
14 ~ 140 °F (-10 ~ 60 °C)
- **Effective voltage** DC 12 V
- **Sensor type**
Passive speed sensor : BF01930



XR-01S

part

BB026001

Speedometer (Street version)

Our innovative XR-01S speedometer features a larger, higher quality and easy to read LCD display. The indicator light functions are still there. New interesting functions were also added and they include a 2 hour meter readings, a maintenance hour meter for oil change, 2 tripmeter readings, and a useful clock.

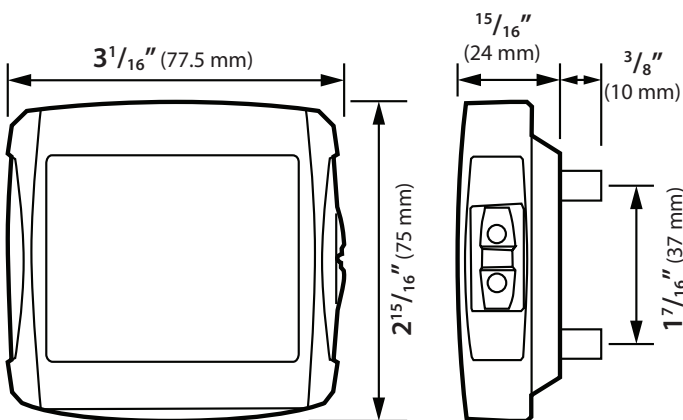
This meter is user-friendly, easy to read during day or night, and is a great fit for any kind of motorcycle, scooter or other bike.



(R = Range U= Unit)

Specifications

- Speedometer**
 R: 0 ~ 225 MPH (0 ~ 360 km/h)
 U: 1 MPH or km/h (alternative)
- Odometer**
 R: 0 ~ 99,999 miles (km) | U: 1 mile (km)
- Tripmeter A/B**
 R: 0 ~ 9,999.9 miles (km)
 U: 0.1 mile (km)
- Oil maintenance mileage**
 R: 300 ~ 5,000 Miles (km) | U: 1 MPH(km)
- Hour meter** R: 0 ~ 99,999 hours | U: 1 H
- Hour meter A/B**
 R: 0 ~ 9,999 hours | U: 0.1 H
- Top speed record**
 R: 0 ~ 225 MPH (0 ~ 360 km/h)
- Average speed record**
 R: 0 ~ 225 MPH (0 ~ 360 km/h)
- Tire circumference**
 R: 300 ~ 2,500 mm | U: 1 mm
 Sensitive point: 1 ~ 6
- Volt meter**
 R: DC 8 ~ 18 V | Flashing light when <DC 11.5 V or >DC 15.5 V
- Backlight brightness**
 R: 1/5 (darkest) ~ 5/5 (brightest)
- Fuel level** R: 6 levels
- Fuel resistance**
 R: 100 Ω / 250 Ω / 510 Ω / USER
- Clock** R: 24 H format
- Indicator lights**
 Turn signals / Neutral / Warning / High beam / Check engine
- Effective temperature range**
 14 ~ 140 °F (-10 ~ 60 °C)
- Effective voltage** DC 12 V
- Sensor type**
 Passive speed sensor : BF019J0



XR-SR

part
BB017B00

Multifunction meter

The XR-SR multifunction meter was designed especially for motorcycles and ATV's. Its digital screen will provide important informations on your engine.

The 8 indicator lights can be adapted to all motorcycles and ATV's. Its great shape and digital display will make your bike look different !

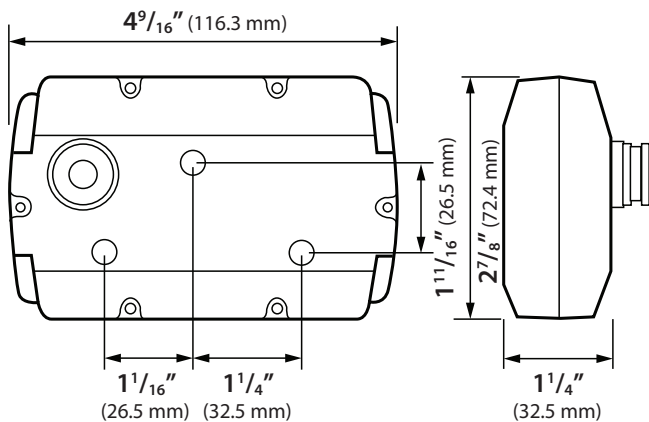


(R = Range U= Unit)



Specifications

- **Speedometer**
R: 0 ~ 225 MPH (0 ~ 360 km/h)
U: 1 MPH or km/h (alternative)
- **Odometer**
R: 0 ~ 99,999 miles (km) | U: 1 mile (km)
- **Tripmeter A/B**
R: 0 ~ 999.9 miles (km)
- **Top speed record**
R: 0 ~ 225 MPH (0 ~ 360 km/h)
- **Tire circumference**
R: 300 ~ 2,500 mm | U: 1 mm
Sensitive point: 1 ~ 6
- **Tachometer**
R: 0 ~ 18,000 RPM | U: 100 RPM
- **Maximum RPM record**
R: 0 ~ 18,000 RPM
- **Stroke / piston setting**
2 stroke: 1, 2, 3, 4 pistons
4 strokes: 1, 2, 3, 4, 5, 6, 8, 10, 12 pistons
- **Digital water temp**
R: 32 ~ 248 °F (0 ~ 120 °C)
U: 0.1 °F or °C
- **Temp. level meter**
R: 68 ~ 248 °F (20 ~ 120 °C)
10 levels | U: 1 level = 50 °F or 10 °C(alternative)
- **Top temperature record**
R: 32 ~ 248 °F (0 ~ 120 °C)
- **Fuel meter** 10 levels | U: 1 level = 10%
- **Fuel resistance** R: 100 Ω / 510 Ω
- **Top speed timer (includes)**
Speed: R: 0 ~ 225 MPH (0 ~ 360 km/h)
Distance: R: 0 ~ 3,280 feet (0 ~ 999 m)
Timer : 0 ~ 9'59"99
- **Indicator lights**
Turn signals / Neutral / Hazard/
Oil level / High beam / Low beam /
Water temperature
- **Effective temperature range**
14 ~ 140 °F (-10 ~ 60 °C)
- **Effective voltage** DC 12 V
- **Sensor type**
Passive speed sensor: BF019005
Temperature sensor: BF030125





EX-02S

part

BA048001

Speedometer (Street version)

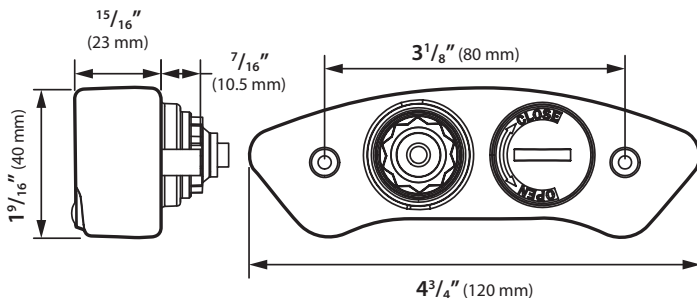
With its modern look, this EX-02S speedometer is the perfect meter for all dual applications. Its illuminated backlight makes this meter very easy to read even when you ride at night. Featuring speed, odometer, tripmeter, hour meter, voltage, clock and stopwatch as well as 6 indicator lights, this meter will give you all information you need.



(R = Range U= Unit)

Specifications

- **Speedometer**
R: 0 ~ 225 MPH (0 ~ 360 km/h)
U: 1 MPH or km/h (alternative)
- **Speedometer**
R: 0 ~ 225 MPH (0 ~ 360 km/h)
U: 1 MPH or km/h (alternative)
- **Odometer**
R: 0 ~ 99,999 miles (km) | U: 1 mile (km)
- **Tripmeter A/B**
R: 0 ~ 9,999.9 miles (km)
U: 0.1 mile (km)
- **Oil maintenance mileage**
R: 300 ~ 5,000 Miles (km) | U: 1 MPH(km)
- **Hour meter** R: 0 ~ 99,999.9 hours
U: 0.1 H
- **Hour meter A/B**
R: 0 ~ 9,999.9 hours | U: 0.1 H
- **Volt meter**
R: DC 8 ~ 18 V | U: DC 0.1 V
- **Stopwatch**
R: 0 ~ 9'59"99 | U: 0,01 second
- **Top speed record**
R: 0 ~ 225 MPH (0 ~ 360 km/h)
- **Average speed record**
R: 0 ~ 225 MPH (0 ~ 360 km/h)
- **Max voltage record** R: DC 8 ~ 18 V
- **Inner Battery level** R: 4 levels
- **Clock** R: 12 or 24 H format
- **Indicator lights**
Turn signals / Neutral / Warning / High beam / Check engine
- **Effective temperature range**
14 ~ 140 °F (-10 ~ 60 °C)
- **Power**
LCD: Internal CR 2032 battery
Backlight: DC 12 V



EX-02

part

BA048000

Speedometer (Universal version)

With its compact shape and waterproof connectors, the EX-02 speedometer is the perfect meter for all off road applications. The illuminated backlight makes the instrument very easy to read even in the darkest conditions.

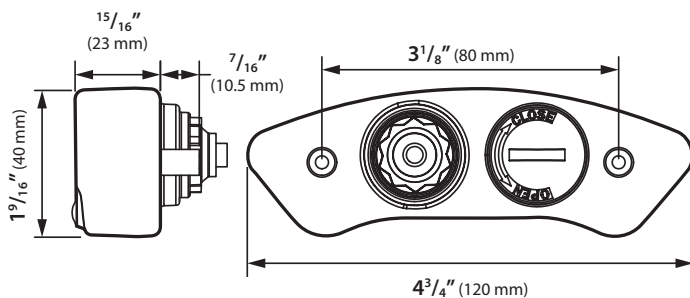
The EX-02 speedometer is equipped with all the basic functions such as speed, odometer, tripmeter as well as hour meter, voltage, clock and stopwatch.



(R = Range U= Unit)

Specifications

- **Speedometer**
R: 0 ~ 225 MPH (0 ~ 360 km/h)
U: 1 MPH or km/h (alternative)
- **Speedometer**
R: 0 ~ 225 MPH (0 ~ 360 km/h)
U: 1 MPH or km/h (alternative)
- **Odometer**
R: 0 ~ 99,999 miles (km) | U: 1 mile (km)
- **Tripmeter A/B**
R: 0 ~ 9,999.9 miles (km)
U: 0.1 mile (km)
- **Hour meter** R: 0 ~ 99,999.9 hours
U: 0.1 H
- **Hour meter A/B**
R: 0 ~ 9,999.9 hours | U: 0.1 H
- **Volt meter**
R: DC 8 ~ 18 V | U: DC 0.1 V
- **Stopwatch**
R: 0 ~ 9'59"99 | U: 0,01 second
- **Top speed record**
R: 0 ~ 225 MPH (0 ~ 360 km/h)
- **Average speed record**
R: 0 ~ 225 MPH (0 ~ 360 km/h)
- **Max voltage record** R: DC 8 ~ 18 V
- **Inner Battery level** R: 4 levels
- **Clock** R: 12 or 24 H format
- **Indicator lights**
Turn signals / Neutral / Warning /
High beam / Check engine
- **Effective temperature range**
14 ~ 140 °F (-10 ~ 60 °C)
- **Power**
LCD: Internal CR 2032 battery
Backlight: DC 12 V



EX-02

Speedometer (Universal version)

Developed by Enduro riders, this EX-02 speedometer is the perfect solution for all Enduro applications. Lightweight, compact and using a convenient speed sensor bracket, it can be quickly installed on most dirt bikes. The EX-02 speedometer features all the basic functions such as speed, odometer, tripmeter, hour meter, voltage, stop-watch and clock.

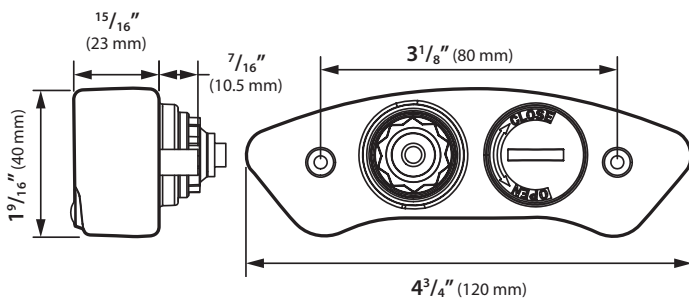
This meter also has the illuminated background with adjustable brightness that allows a good visibility of the display whether your ride on a bright sunny day or at night time.



(R = Range U= Unit)

Specifications

- **Speedometer**
R: 0 ~ 225 MPH (0 ~ 360 km/h)
U: 1 MPH or km/h (alternative)
- **Odometer**
R: 0 ~ 99,999 miles (km) | U: 1 mile (km)
- **Tripmeter A/B**
R: 0 ~ 9,999.9 miles (km)
U: 0.1 mile (km)
- **Hour meter** R: 0 ~ 99,999.9 hours
U: 0.1 H
- **Hour meter A/B**
R: 0 ~ 9,999.9 hours | U: 0.1 H
- **Volt meter**
R: DC 8 ~ 18 V | U: DC 0.1 V
- **Stopwatch**
R: 0 ~ 9'59"99 | U: 0,01 second
- **Top speed record**
R: 0 ~ 225 MPH (0 ~ 360 km/h)
- **Average speed record**
R: 0 ~ 225 MPH (0 ~ 360 km/h)
- **Max voltage record** R: DC 8 ~ 18 V
- **Inner Battery level** R: 4 levels
- **Clock** R: 12 or 24 H format
- **Indicator lights**
Turn signals / Neutral / Warning / High beam / Check engine
- **Effective temperature range**
14 ~ 140 °F (-10 ~ 60 °C)
- **Power**
LCD: Internal CR 2032 battery
Backlight: DC 12 V



*Magnet type may vary.

Application list

■ Honda

BA048HON-1

CR 125R / 250R	2000-2007
CRF 250X / 250R	2004-2020
CRF 450R / 450X	2002-2020
CR 500 R	2000-2001

■ Yamaha

BA048YAM-1

WR 450F	2003-2019
WR 250	2001-2017
YZ 125F / 250F	2008-2020
YZ 450F	2003-2020

BA048YAM-2

WR 400F	2000
WR 426F	2001-2002
YZ 125 / 125F / 250 / 250F	2000-2007
YZ 426F	2000

■ Kawasaki

BA048KAW-1

KX 450	2006-2020
KLX 450	2008-2009
KX 250	2003-2020

BA048KAW-2

KLXR 300	2000-2007
KX 125	2000-2005
KX 250	2000-2003
KX 500	2000-2004

■ KTM

BA048KTM-1

SX / MXC / EXC / XC / XC-W	2000-2017
----------------------------	-----------

■ Suzuki

BA048SUZ-1

RM 125 / 250	2000-2008
RMZ / 250	2004-2017

BA048SUZ-2

RMZ 450	2005-2018
---------	-----------



Gear indicator

part

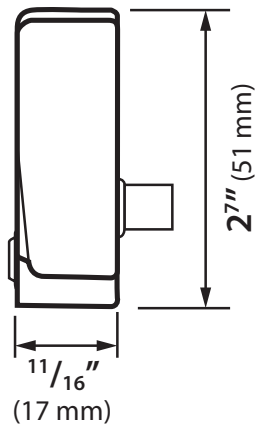
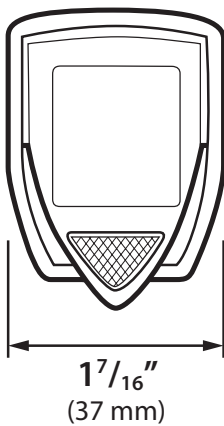
KN002000

Specifications

- Gear indicator
R: N, 1, 2, 3, 4, 5, 6
- Effective temperature range
14 ~ 140 °F (-10 ~ 60 °C)
- Effective voltage
DC 12 V

Universal LCD gear display

Always wondering in which gear you're in? Avoid this question by using our plug & play gear indicator. Lightweight, compact, easy to use and to install, this meter will quickly tell you which gear you've selected. Its big digits and blue backlight make it easy to read during day or night riding. This meter is a great addition for serious riders.



Application list

■ Aprilia	Dorsoduro 750 - 750 ABS	2009-2017	Z800	2012-2013
	ETV 1000 Caponord	2001-2010	Z1000	2010-2013
	Pegaso	2005-2010	ZX-6R, ZX-6RR	1998-2008
	RXV	2009-2010	ZX9R	1998-2005
	RSV 1000	1998-2008	ZX-10R	2004-2006
	RSV4 (No APRC)	2009-2012	ZX-12R	2000-2006
	Tuono	2006-2010	ZX-14, ZX-14 ABS	2009
<hr/>			<hr/>	
■ Benelli	Tornado	2003-2006	690 (all models)	2008-2011
	TNT	2004-2008	950 (all models)	2005-2008
	Trek	2006-2010	990 Superduke	2007-2011
<hr/>			990 (all models)	2007-2010
■ Buell	XB9	All	<hr/>	
	XB12	All	Brutale 750	2001-2006
<hr/>			Brutale 910	2005-2010
■ Ducati	748 , 916, 996, 998	All	Brutale 920	2011
	749, 999	All	Brutale 989	2007-2010
	848, 1098	All	F4 1000 S	2004-2006
	GT1000, Paul Smart 1000LE	All	F4 R, R1+1	2006-2008
	Hypermotard 796, 1100	2008-2011	F4 1000	2010
	Monster 620 i.e	All	<hr/>	
	Monster 52R, S4R	All	Bandit 600, 600S	2001
	Monster 800, 1000	All	Bandit 600, 600S	2003
	Monster 696, 796, 1100		Bandit 650, 650S	2005-2010
	(including ABS models)	All	Bandit 1200	2001-2006
	Multistrada 1000, 1100, 620	All	Bandit 1250, 1250S	2006-2011
	Sport 1000	2008	DL 650, DL 1000 V-Strom	2002-2010
	ST3, ST4	2004-2007	GSX 600 F	1999
Streetfighter	2010	GSX 600 F	2003	
<hr/>			GSXR 600 SRAD	1997-2000
■ Guzzi	Breva 750	2003-2010	GSXR 600	2001-2006
	Breva 850, 1100	2006-2010	GSX 750 F	1999-2005
	Griso 1100-8V	2005-2010	GSXR 750	2000-2006
	Norge 1200, 1200 ABS	2006-2010	GSXR 1000	2000-2006
	Stelvio 1200, 1200 ABS	2008-2010	GSX 1400	2002-2010
			Hayabusa, Hayabusa ABS	1999-2014
■ Honda	CBF 500, 600	2004-2007	SV 650	1999-2002
	CBR 600 F	1999-2005	SV 650 i.e.	2003-2006
	CBR 600 RR	2003-2016	SV 1000	2003-2006
	CBR 900	1996-2004	TL 1000 R	1998-2002
	CB1000, CB1000ABS	2008-2013	<hr/>	
	CBR 1000 RR	2004-2014	Daytona 955	2003-2006
	CBR 1000 RR (Miles Dash)	2004-2007	Speed Triple	2002-2006
	CBR 1100 Black	1997-2006	Speed Triple, Speed Triple ABS	2007-2014
	CB 1300	2003-2005	Tiger, Tiger ABS	2007-2013
	Crossrunner,		<hr/>	
	Crossrunner ABS	2010-2014	BT1100	2002-2006
	Deauville 700	2007-2013	Fazer 600	1998-2006
	Hornet 900	2002-2006	Fazer 1000	2000-2005
	Hornet 600	1998-2006	FJR 1300, FJR 1300 ABS	2000-2005
	Hornet 600, 600 ABS	2007-2013	FZ6, FZ6 S2	2004-2011
	Varadero 1000	1999-2011	FZ1, Fazer 1000	2006-2013
	VFR 800 VTEC	2006-2009	FZ8, FZ8 ABS	2010-2013
	VTR 1000 SP1, SP2	2000-2006	MT-03	2006-2013
	<hr/>			TDM 850
■ Kawasaki	ER-6N	2005-2011	XJ6, XJ6 ABS	2008-2014
	Ninja 300, Ninja 300 ABS	2012-2016	XT-660	2004-2013
	Versys 650	2006-2009	YZF R6	1998-2016
	Versys 1000 ABS	2011-2013	YZF R1	1999-2008
	Z750, Z1000	2003-2009		
<hr/>			<hr/>	
■ KTM			690 (all models)	2008-2011
			950 (all models)	2005-2008
			990 Superduke	2007-2011
			990 (all models)	2007-2010
			<hr/>	
■ MV			Brutale 750	2001-2006
			Brutale 910	2005-2010
			Brutale 920	2011
			Brutale 989	2007-2010
			F4 1000 S	2004-2006
			F4 R, R1+1	2006-2008
			F4 1000	2010
<hr/>			<hr/>	
■ Suzuki			Bandit 600, 600S	2001
			Bandit 600, 600S	2003
			Bandit 650, 650S	2005-2010
			Bandit 1200	2001-2006
			Bandit 1250, 1250S	2006-2011
			DL 650, DL 1000 V-Strom	2002-2010
			GSX 600 F	1999
			GSX 600 F	2003
			GSXR 600 SRAD	1997-2000
			GSXR 600	2001-2006
			GSX 750 F	1999-2005
			GSXR 750	2000-2006
			GSXR 1000	2000-2006
			GSX 1400	2002-2010
			Hayabusa, Hayabusa ABS	1999-2014
			SV 650	1999-2002
			SV 650 i.e.	2003-2006
		SV 1000	2003-2006	
		TL 1000 R	1998-2002	
<hr/>			<hr/>	
■ Triumph			Daytona 955	2003-2006
			Speed Triple	2002-2006
			Speed Triple, Speed Triple ABS	2007-2014
			Tiger, Tiger ABS	2007-2013
<hr/>			<hr/>	
■ Yamaha			BT1100	2002-2006
			Fazer 600	1998-2006
			Fazer 1000	2000-2005
			FJR 1300, FJR 1300 ABS	2000-2005
			FZ6, FZ6 S2	2004-2011
			FZ1, Fazer 1000	2006-2013
			FZ8, FZ8 ABS	2010-2013
			MT-03	2006-2013
			TDM 850	1996-2001
			XJ6, XJ6 ABS	2008-2014
			XT-660	2004-2013
			YZF R6	1998-2016
		YZF R1	1999-2008	

Gear indicator

part

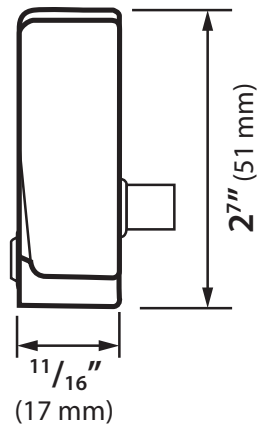
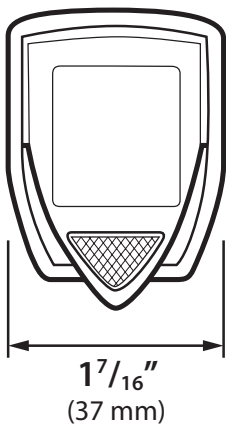
KN002010

Specifications

- Gear indicator
R: N, 1, 2, 3, 4, 5, 6
- Effective temperature range
14 ~ 140 °F (-10 ~ 60 °C)
- Effective voltage
DC 12 V

LCD gear display for Harley-Davidson®

Always wondering in which gear you're in? Avoid this question by using our plug & play gear indicator. Lightweight, compact, easy to use and to install, this meter will quickly tell you which gear you've selected. Its big digits and blue backlight make it easy to read during day or night riding. This meter is a great addition for serious riders.



Application list

Softail

Cross Bones FLSTSB	2008-2009
Cross Bones FLSTSB	2010
Custom FXSTC	2007-2010
Deluxe FLSTN	2007-2010
Deuce FXSTD	2007
Rocker C FXCWC	2008-2009
Rocker FXCW	2008-2009
Springer Classic FLSTSC	2007
Standard FXST	2007
Softail Convertible FLSTSE	2010
Softail Springer FXSTSSE	2007
Softail Springer FXSTSSE2	2008
Softail Springer FXSTSSE3	2009
Fat Boy FLSTF	2007-2010
Fat Boy Lo FLSTFB	2010
Night Train FXSTB 2	2007-2009
Heritage Softail Classic FLSTC	2007-2010

Sportster

1200 Nightster XL1200N	2009-2017
50th Anniversary Sportster XL50	2007
Forty Eight XL1200X	2010-2013
Iron 883 XL883N	2009-2013
Seventy Two XL1200V	2012-2013
1200 Custom XL1200C	2007-2013
1200 Low XL1200L	2007-2011
1200 Nightster XL1200N	2007-2008
1200 Roadster XL1200R	2007-2008
883 Custom XL 883C	2007-2009
883 Low XL 883L	2010
883 XL 883	2007-2008
883L XL 883L	2007-2009
883R XL 883R	2007
XR1200 XR 1200	2009
SuperLow XL 883L	2011-2013
XR1200 XR 1200	2010
XR1200X XR 1200X	2011

Dyna

Custom Vehicle Operations	
Dyna FXDSE	2007
Custom Vehicle Operations	
Dyna FXDSE2	2008
Dyna Fat Bob FXDFSE	2009
Fat Bob FXDFSE2	2010
Fat Bob FXDF	2009
Low Rider FXDL	2007-2009
Street Bob FXDB	2009
Super Glide Custom FXDC	2007-2009
Dyna Super Glide FXD	2007-2009

Wide Glide FXDWG	2007-2008
Fat Bob FXDF	2008, 2010-2011
Rocker C FXCWC	2010
Street Bob FXDB	2007-2008, 2010-2011
Super Glide Custom FXDC	2010-2011
Super Glide FXD	2010
Wide Glide FXDWG	2010-2011

Touring

Road Glide Custom FLTRXSE	2012
Road Glide Custom FLTRXSE2	2013
Road Glide FLTRSE3	2009
Road Glide Ultra FLTRUSE	2011
Road Glide Custom FLTRX	2010-2013
Road Glide FLTR	2007-2009
Road Glide Ultra FLTRU	2011-2013
Road King FLHRSE3	2007
Road King FLHRSE4	2008
Road King FLHRSE5	2013
Road King Classic FLHRC	2007-2013
Road King Custom FLHRS	2007
Road King FLHR	2007-2013
Street Glide FLHXSE	2010
Street Glide FLHXSE2	2011
Street Glide FLHXSE3	2012
Street Glide FLHX	2007-2013
Street Glide Trike FLHXXX	2010-2011
Ultra Classic Electra Glide FLHTCUSE2	2007
Ultra Classic Electra Glide FLHTCUSE3	2008
Ultra Classic Electra Glide FLHTCUSE4	2009
Ultra Classic Electra Glide FLHTCUSE6	2011
Ultra Classic Electra Glide FLHTCUSE7	2012
Ultra Classic Electra Glide FLHTCUSE8	2013
Ultra Classic FLHTCUSE5	2010
Electra Glide Classic FLHTC	2007-2013
Electra Glide Standard FLHT	2007-2009
Electra Glide Ultra Limited FLHTK	2010-2013
Tri Glide Ultra Classic FLHTCUTG	2009-2013
Ultra Classic Electra Glide FLHTCU	2007-2013

VRSC

Night Rod Special VRSCDX	2010-2017
V Rod VRSCAW	2010
VRSCAW V Rod VRSCAW	2007-2009
VRSCD Night Rod VRSCD	2007-2008
VRSCDX Night Rod Special	
VRSCDX	2007-2009
VRSCR Street Rod VRSCR	2007
VRSCX VRSCX	2007

Lap timer

part

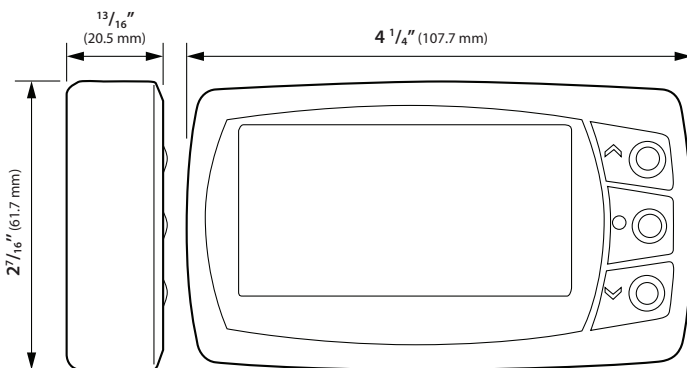
BA045100

GPS lap timer

Following the popular demand, our crew of engineers have developed a high-tech GPS lap timer to accommodate professional and amateur riders. By using the GPS technology, this lap timer will allow you to get a precise and accurate reading without having to install different beacons around the track.

This instrument records up to 200 laps and will display your best run, the time difference between your most recent run and your last, as well as; speed, average speed and many other great functions. Last but not least, this lap timer can also be used as a simple GPS speedometer, due to the speed and odometer functions.

Our GPS lap timer also features a Power-Test function, which allows the user to record time/distance (ex : 1/8 mile, 1/4 mile...) or speed/time (ex : 0 - 60 MPH...) This is the perfect tool, whether you are a drag racer, enduro racer or circuit racer. You can finally race like a professional with this multifunctional tool that can be used under many different conditions such as closed and open circuits. Koso's GPS lap timer is simply a must have for all racers !



Specifications

- **Speedometer**
R: 0 ~ 225 MPH (0 ~ 360 km/h)
Will blink when exceed range
U: 1 MPH or km/h (alternative)
- **Speedometer**
R: 0 ~ 225 MPH (0 ~ 360 km/h)
U: 1 MPH or km/h (alternative)
- **Odometer**
R: 0 ~ 99,999 miles (km) | U: 1 mile (km)
- **Tripmeter A/B**
R: 0 ~ 9,999.9 miles (km) | U: 0.1 mile (km)
- **Average speed**
R: 0 ~ 225 MPH (0 ~ 360 km/h)
U: 1 MPH or km/h (alternative)
- **Riding time**
R: 0 ~ 9,999.9 H | U: 0.1 H
- **Top speed record**
R: 0 ~ 225 MPH (0 ~ 360 km/h)
U: 1 MPH(km)
- **Geodetic coordinate system**
WGS-84
- **Coordinate display method**
R: d°m's.s" / d.d° / d°m.m'
- **Time zone**
R: UTC - 12:00 ~ + 14 :00
- **Calendar**
R: Automatic time adjustment by GPS signal
- **Clock** R: 12 H or 24 H format, time set according to time zone selected
- **Voltage warning**
R: flashing symbol when < DC 7 V
- **Display contrast**
R: 1 ~ 16 levels
- **Backlight**
R: 0 (closed), 1/7 (darkest), 7/7 (brightest)
- **Target speed timer**
D: 20 ~ 225 MPH (30 ~ 360 km/h)
R: 5 MPH (km/h)
- **Target distance timer**
D: 1/32 ~ 30/32 mile (50 ~ 1,500 m)
U: 1/32 mile (50 m)
- **Closed track single lap recording**
R: 0 ~ 9'59"99
- **Open track single lap time recording** R: 0 ~ 9'59"99
- **Create track**
Closed / Open
- **Track width**
R: 5 ~ 50m | U: 1 m
- **Track length**
Auto calculate after a full lap
- **Checkpoint**
R: 0 ~ 22 points (max.)
- **Effective temperature range**
14 ~ 140 °F (-10 ~ 60 °C)
- **Effective voltage**
DC 12 V

TIMING MODE

- **Single record time**
R: 00'00"00 ~ 99'59"99
- **Number of lap record** R: 1 ~ 200 laps
- **Time difference VS best time record**
R: 0 ~ 99"99
- **Time difference VS last lap**
R: -99"99 ~ +99"99
- **Record display method**
Sequentially / Best
- **Record display retention time**
R: 5 ~ 20 seconds



| GPS satellite position

| Racing menu



| Track map

| Racing menu

EFI

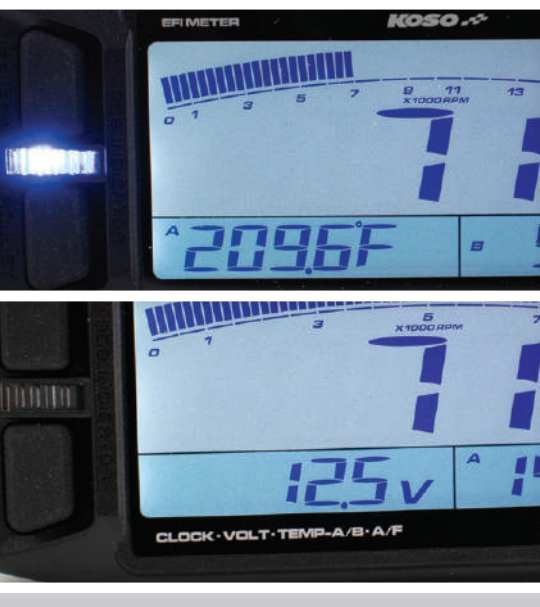
part
BA052001

Tachometer

A vital tool for racing, The EFI tach features a large tach bar and RPM digits, two separate temperature displays as well as an optional air/fuel ratio display. The EFI also feature functions such as voltage, clock, programmable shift and temperature warning lights as well as an adjustable RPM scale (10K, 15K OR 20K).

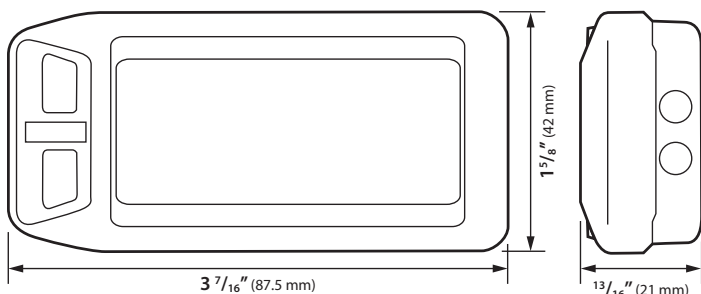


(R = Range U= Unit)



Specifications

- **Digital tachometer**
R: 0 ~ 20,000 RPM | U: 100 RPM
- **Level tachometer**
R: Off / 0 ~ 10,000 / 15,000 / 20,000 RPM
- **Graph bar Tachometer**
Adjustable RPM scale:
10,000 / 15,000 / 20,000 RPM
- **Shift light**
R: 5,000 ~ 20,000 RPM | U: 100 RPM
- **Maximum RPM record**
R: 0 ~ 20,000 RPM
- **Stroke / piston setting**
2 stroke: 1, 2, 3, 4, 6 pistons
4 stroke: 1, 2, 3, 4, 6, 8, 10, 12 pistons
- **Clock** R: 24 H format
- **Thermometer A/B**
R: 32 ~ 482 °F (0 ~ 500 °C)
U: 0.1 °F or °C (alternative)
- **Thermometer warning**
R: 140 ~ 482 °F (60 ~ 250 °C)
U: 0.1 °F or °C
- **Max temperature record**
R: 32 ~ 482 °F (0 ~ 250 °C)
- **Optional air/fuel ratio output (narrow band) meter**
R: 12.1 ~ 16.8 | U: 0.1
- **Volt meter (input power needed other than the battery)**
R: DC 8.0 ~ 18.0 V | U: DC 0.1 V
- **Power SCR 2032 (lifetime ± 2 years)**
- **Indicator lights**
Shift light (red), Temperature A (blue), Temperature B (green)
- **Effective temperature range**
14 ~ 140 °F (-10 ~ 60 °C)
- **Effective voltage** DC 12 V



Wideband air/fuel ratio meter

This nice backlit wideband air/fuel ratio meter will give you precious informations on your engine. It will allow you to tune more precisely your engine. Its warning could even save your engine from bad damages ! Its programmable warning will tell if your engine run too lean or too rich.



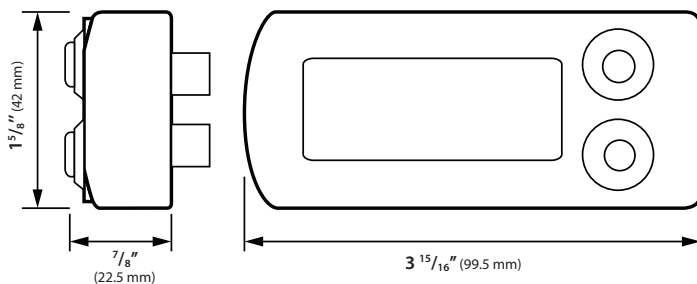
part

BA004068

(R = Range U= Unit)

Specifications

- Air/fuel ratio
R: 10 ~ 24
- Over LEAN setting
R: LEAN 14.8 ~ 24
- Over RICH setting
R: RICH 14.6 ~ 10
- Effective temperature range
14 ~ 140 °F (-10 ~ 60 °C)
- Effective voltage
DC 12 V
- Sensor included
Bosch oxygen sensor: 28-BOSCH
- Compatible with 2 stroke or 4 stroke engines
- "2 stroke adaptor" BC001855 is mandatory when used on a 2 stroke application
- Requires a DC 12 V battery absolutely (will not function with our AC/DC converter) !



Air density

part

BC001601

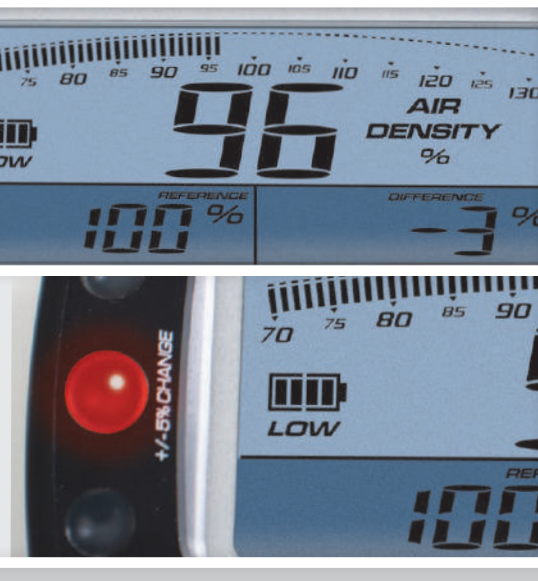
Digital air density meter

This is a great tool for serious engine tuners. Our air density meter allows to see if the air density has changed. It could help you determine if the jetting or fuel mapping should be adjusted. Altitude, temperature and atmospheric pressure can affect quickly the performance of the engine. Our meter will instantly tell you if the condition has change so the proper changes can be made on the engine.

This is a must for performance enthusiasts since it will help get the extra horsepower out of the engine or it could even save the engine from bad damages.

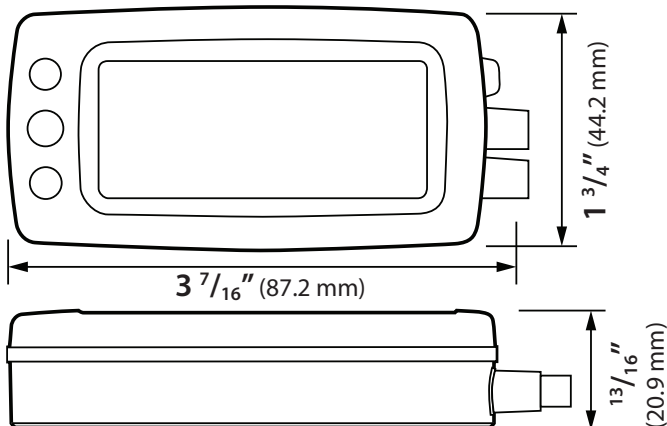


(R = Range U= Unit)



Specifications

- Digital air density in %**
 R: 50 ~ 150% | U: 1%
 Warning: blink light at over-range
- Air density scale in %**
 R: 70 ~ 130% | U: 1%
- Barometric pressure**
 R: hPa: 500 ~ 1150 hPa
 mmHg: 375 ~ 862.5 mmHg
 inHg: 14.76 ~ 33.95 inHg
 U: hPa: 1 hPa
 mmHg: 0.5 mmHg
 inHg: 0.1 inHg
- Air temperature**
 R: -4 ~ 176 °F (-20 ~ 80 °C)
 U: 1 °F or °C (alternative)
- Battery indicator**
 R: 4 levels | blink light when low power
- Warning light**
 Light on when air density is 5% < or > then set point
- Effective temperature range**
 14 ~ 140 °F (-10 ~ 60 °C)
- Battery type CR 2032**





EGT-01

part

BA004065

standard EGT sensor

BA004065X

fast response EGT sensor

Single exhaust gas temperature meter

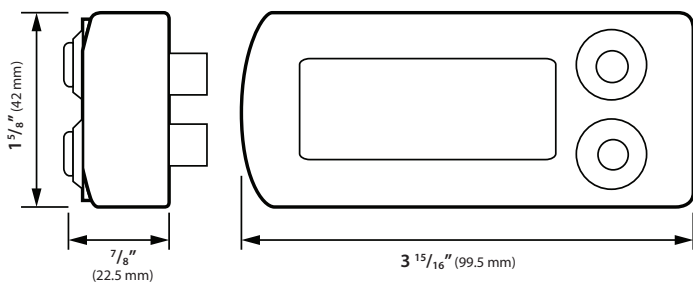
This nice backlit EGT-01 single exhaust gas temperature meter will give you precious informations on your engine. It will allow you to tune it more precisely. Its warning could even save your engine from bad damages!



(R = Range U= Unit)

Specifications

- **Digital EGT temperature**
R: 250 ~ 2,100 °F (100 ~ 1,200 °C)
U: 1 °F or °C (alternative)
- **Over temperature warning**
R: 392 ~ 2,100 °F (200 ~ 1,200 °C)
U: 1 °F (°C)
- **Effective temperature range**
14 ~ 140 °F (-10 ~ 60 °C)
- **Effective voltage**
AC/DC 12 V
- **Sensor type**
EGT standard: 28-CKTYPE9
EGT fast response: 28-CKTYPEX



new

EGT-02 EVO

part

BA006000

standard EGT sensor

BA006000-X

fast response EGT sensor

Dual exhaust gas temperature data logger

Like its name suggest, this is an evolution of our original dual exhaust temperature meter. This new meter allows you to tune your engine more precisely and keep a record of your previous runs (up to 50). The settable warning for each cylinder gives you the opportunity to set a maximum temperature warning of up to 2,100 °F.

The red flashing of the screen makes it very easy to see if something is going wrong with the engine. This tool could save your motor!

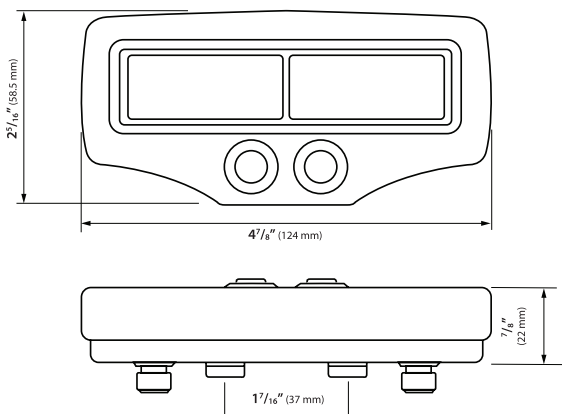


(R = Range U= Unit)



Specifications

- Digital EGT temperature L/R
R: 250 ~ 2,100 °F (100 ~ 1,200 °C)
U: 1 °F or °C (alternative)
- Over EGT temp. warning
R: 392 ~ 1,832 °F (200 ~ 1,000 °C)
U: 1 °F (°C)
- Max EGT temp. record
R: 250 ~ 2,100 °F (100 ~ 1,200 °C)
U: 1 °F (°C)
- Volt meter R: DC 0.8 ~ 18 V | U: DC 0.1V
- Volt meter warning
R: low voltage: DC 8.0 ~ 13.0 V
R: high voltage: DC 13.0 ~ 16.0 V
- Backlight brightness
R: 1/5(Darkest) ~ 5/5(Brightest)
- Max recorded runs: 50 runs
- Recording time
R: 99'59"99 seconds | TR: approx 3.18 Hr
- Play mode speed
1 x play / pause | 3 x play / pause
1/3 x play / pause | 1 x rewind / pause
- Effective temperature range
R: 14 ~ 140 °F (-10 ~ 60 °C)
- Effective voltage AC/DC 12 V
- Sensor type
EGT standard: 28-CKTYPE9
EGT fast response: 28-CKTYPEX



EGT-02R EVO

new

part

BA006010

standard EGT sensor

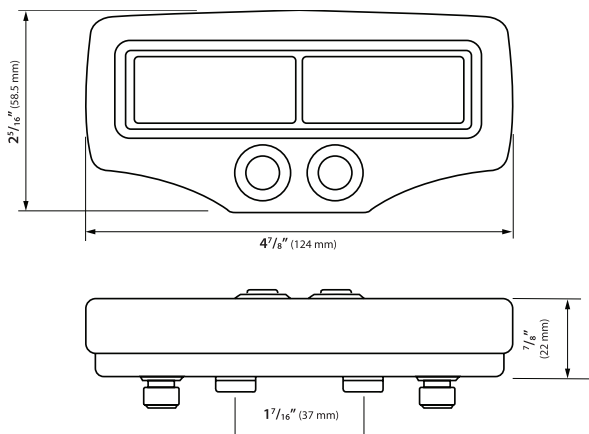
BA006010-X

fast response EGT sensor

Dual EGT with RPM & water temperature data logger

Like its name suggests, this is an evolution of our original dual exhaust temperature meter. This new meter allows you to tune your engine more precisely and keep a record of your previous runs (up to 50). It also includes features such as RPM & water temperature. You will have the ability to set a warning for each setting including water temp, RPM & EGT

The red flashing of the screen makes it very easy to see if something is going wrong with the engine. This tool could save your motor!



Specifications

- **Digital EGT temperature L/R**
R: 250 ~ 2,100 °F (100 ~ 1,200 °C)
U: 1 °F or °C (alternative)
- **Over EGT temp. warning**
R: 392 ~ 1,832 °F (200 ~ 1,000 °C)
U: 1 °F (°C)
- **Max EGT temp. record**
R: 250 ~ 2,100 °F (100 ~ 1,200 °C)
U: 1 °F (°C)
- **Volt meter**
R: DC 0.8 ~ 18 V | U: DC 0.1 V
- **Volt meter warning**
R: low voltage: DC 8.0 ~ 13.0 V
R: high voltage: DC 13.0 ~ 16.0 V
- **RPM**
R: 0 ~ 15,000 RPM
- **RPM input signal number setting**
R: 0.5, 1, 1.5, 2, 2.5, 3 ~ 24
- **RPM input pulse**
R: HI-ACT (positive wave pulse)
LO-ACT (negative wave pulse)
- **RPM warning / shift-light**
R: 1,000 ~ 15,000 RPM | U: 100 RPM
- **Max RPM record**
R: 1,000 ~ 15,000 RPM
- **Water temperature**
32 ~ 482 °F (0 ~ 250 °C)
U: 1 °F or °C (alternative)
- **Water temperature warning**
140 ~ 482 °F (60 ~ 250 °C)
- **Max Water temperature record**
140 ~ 482 °F (60 ~ 250 °C)
- **Backlight brightness**
R: 1/5(Darkest) ~ 5/5(Brightest)
- **Max recorded runs**
50 runs
- **Recording time**
R: 99'59"99 seconds | TR: approx 3.18 Hr
- **Play mode speed**
1 x play / pause | 3 x play / pause
1/3 x play / pause | 1 x rewind / pause
- **Effective temperature range**
R: 14 ~ 140 °F (-10 ~ 60 °C)
- **Effective voltage**
AC/DC 12 V
- **Sensor type**
EGT standard: 28-CKTYPE9
EGT fast response: 28-CKTYPEX



part

BA029000

Boost gauge

Today, many horsepower enthusiasts are upgrading their engine with turbo or supercharger. For this reason, we came up with this basic X-1 boost gauge with warning and peak functions. Made to resist cold temperature, water or dust, this meter can be adapted to any engines with turbo or supercharger.

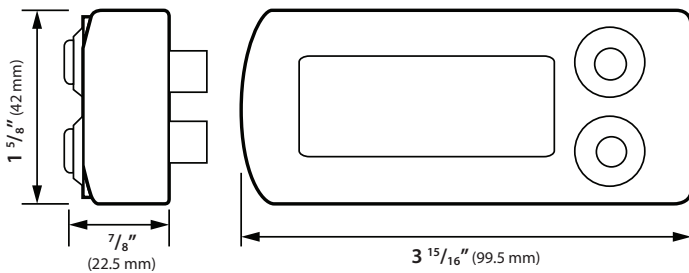
The changeable scale from 15 to 30 psi, the warning and peak recall function makes it a great tool.



(R = Range U= Unit)

Specifications

- Digital boost pressure**
 R: 0 ~ 15/30 psi | U: 0.5 psi
- Peak recall**
 positive R: 10 ~ 30 psi | U: 1 psi
 negative R: -1 ~ -30 psi | U: 1 psi
- Level boost pressure**
 15 psi R: 0 ~ 15 psi | U: 0.5 psi
 30 psi R: 0 ~ 30 psi | U: 1 psi
- Warning function**
 Screen changes blue to amber
- Effective temperature range**
 14 ~ 140 °F (-10 ~ 60 °C)
- Effective voltage**
 AC/DC 12 V
- Sensor type**
 Boost sensor: BF521000



Wideband a/f ratio, boost and intercooler temperature meter

This X-2 multifunction unit is a great tool for all horsepower enthusiasts that are upgrading their engine with turbo or supercharger. This unit combines boost pressure, air/fuel ratio and a temperature function which can be installed on the cooling system or the intercooler.

This meter is made to resist cold temperature, water and dust.



(R = Range U= Unit)

Specifications

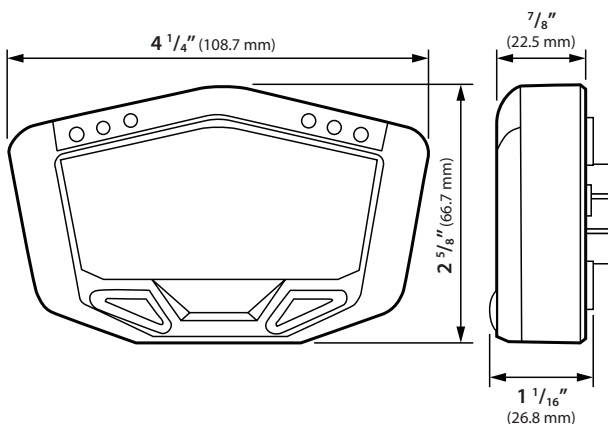
- **Digital boost pressure**
R: 0 ~ 15/30 psi | U: 0.5 psi
- **Peak recall**
positive R: 10 ~ 30 psi | U: 1 psi
negative R: -1 ~ -30 psi | U: 1 psi
- **Level boost pressure**
15 psi R: 0 ~ 15 psi | U: 0.5 psi
30 psi R: 0 ~ 30 psi | U: 1 psi
- **Boost pressure warning** R: 1 ~ 30 psi
- **Digital air/fuel ratio** R: 9 ~ 24 | U: 0.1
- **Level air/fuel ratio** R: 9 ~ 21 | U: 0.2
- **Over LEAN setting** R: 14.8 ~ 24
- **Over RICH setting** R: RICH 14.6 ~ 10
- **Warning function**
Screen changes blue to amber
- **Temperature**
R: 32 ~ 482 °F (0 ~ 250 °C)
U: 0.1 °F or °C (alternative)
- **Over temperature setting**
R: 140 ~ 482 °F (0 ~ 250 °C) | U: 1 °F (°C)
- **Indicator lights**
AFR (green), High AFR (red), Low AFR (red), Pressure (red), Temperature (red)
- **Effective temperature range**
14 ~ 140 °F (-10 ~ 60 °C)
- **Effective voltage** DC 12 V
- **Sensor type**
Boost sensor: BF521000
Bosch oxygen sensor: 28-BOSCH
Temp. sensor: BF030000

part

BA029001

snowmobile version

- Compatible with 2 stroke or 4 stroke engines
- "2 stroke adaptor" **BC001855** is mandatory when used on a 2 stroke application
- Requires a DC 12 V battery absolutely (will not function with our AC/DC converter) !



Mini 3

part

BA003200

oil pressure meter

BA003211

air/fuel ratio meter

BA003270

ambient air temp.

BA003190

AMP & volt meter

BA003160

clock & volt meter

BA003170

dual temperature meter

Mini 3 oil pressure, air/fuel ratio, ambient air temperature meters

The Mini 3 series has been developed with the best components and latest technology. Compact, lightweight and easy to connect, the Mini 3 meters are a must have.

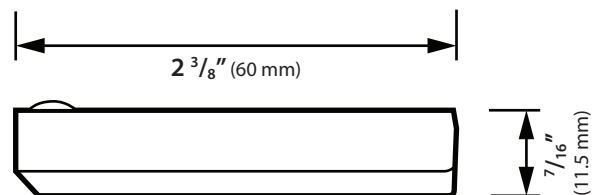
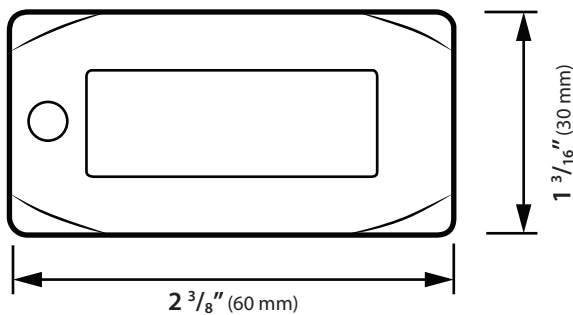


(R = Range U= Unit)

Specifications

■ Effective temperature range
14 ~ 140 °F (-10 ~ 60 °C)

■ Power DC 12V



Oil pressure meter

The Mini 3 oil pressure meter is a must for all applications. Its reading can help you avoid major mechanical problems. If the pressure goes down, that can indicate a leak in the system or a malfunction of the engine. Also, if you ride your bike at a high RPM range, the pressure meter can help you understand if the oil lubricates the engine properly.

Specifications

- Oil pressure meter
R: 0 ~ 100 PSI (0 ~ 7 kgf/cm²)
U: 0.1 PSI (kgf/cm²)
- Oil pressure warning
Flashing light when \leq setting value



Air/fuel ratio meter

Our Mini 3 air/fuel ratio meter was especially designed to help you tune your carbureted or fuel injected engine. This meter can be easily installed on any type of 4 stroke engine by installing the sensor in the exhaust system and connecting the instrument to a DC 12 V source of power.

Specifications

- Air/fuel ratio meter
R: 12.2 ~ 17.2 | U: 0.1
- Sensor type
Race type O₂ sensor: BG000S01
- *Compatible with 4 stroke engines only



Ambient air temp.

The Mini 3 ambient air temperature is the perfect addition for any application. Very simple to install and affordable, this is the perfect tool to monitor the outside temperature and help you dress properly.

Specifications

- Thermometer
R: -22 ~ 248 °F (-30 ~ 120 °C)
U: 0.1 °F or °C (alternative)



AMP & volt meter

This Mini 3 AMP & volt meter will give you the vehicle voltage and amps used. This meter can be very helpful especially when there is many electrical accessories connected to the vehicle.

Specifications

- AMP meter
R: 0 ~ 30 A | U: 0.1 A
- Volt meter
R: DC 6 ~ 19.9 V | U: DC 0.1 V
- Low voltage warning
R: DC 8 ~ 13 V | U: DC 0.1 V
- Voltage warning
Flashing light when < 11.5 V or > 15.5 V



Clock & volt meter

This compact and lightweight Mini 3 clock & volt meter features a clock and also the vehicle voltage. This meter can be very helpful especially when there is many electrical accessories connected to the vehicle

Specifications

- Clock R: 24 H format
- Volt meter
R: DC 6 ~ 19.9 V | U: DC 0.1 V
- Low voltage warning
R: DC 8 ~ 13 V | U: DC 0.1 V
- Voltage warning
Flashing light when < 11.5 V or > 15.5 V



Dual temperature meter

This compact and lightweight Mini 3 dual temperature meter features two temperatures output. This meter can give you precious information such as coolant and oil temperature. temperature and help you dress properly.

Specifications

- Thermometer A/B
R: 32 ~ 248 °F (0 ~ 120 °C)
U: 0.1 °F or °C (alternative)
- Temperature warning
Flashing light when > 248 °F (120 °C)
- Sensor type
Temperature sensor:
BF030125 1/8(BSP) x 28



part

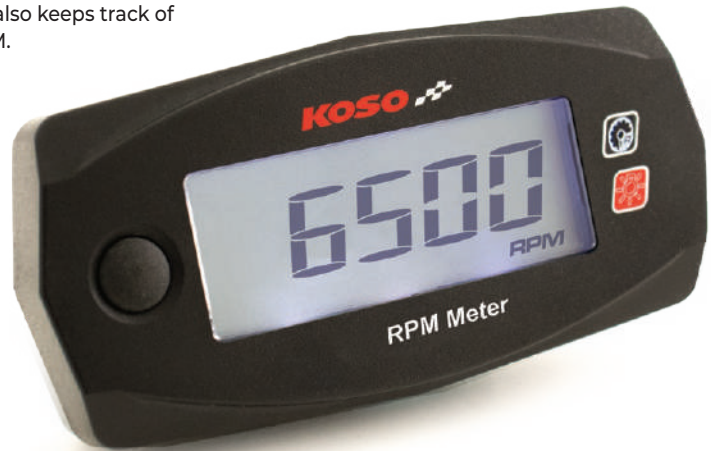
BA033040

tachometer

Tachometer meter

Our Mini4 tachometer uses an LCD screen powered by an inner CR 2032 changeable battery that allows installation on any vehicle. With the small, compact and user-friendly size, it is perfect for many applications.

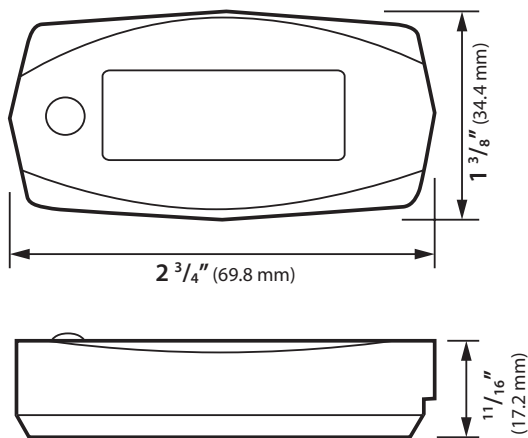
It also features a backlight, has a RPM display warning and also keeps track of your max RPM.



(R = Range U= Unit)

Specifications

- **RPM**
R: 0 ~ 20,000 RPM
U: 10 RPM
- **RPM input pulse**
R: 0.5, 1, 1.5, 2, 2.5, 3, 4, 5, 6
- **MAX RPM record**
R: 0 ~ 20,000 RPM
- **RPM display warning:**
R: 5,000 ~ 20,000 RPM | U: 100 RPM
- **Effective temperature range**
14 ~ 140 °F (-10 ~ 60 °C)
- **Backlight:**
12V DC
- **Meter supply voltage:**
DC 12 (battery)
- **Power LCD**
CR 2032
- **Battery lifetime**
± 350 H



Mini4

part

BA033000

tachometer

Hour meter

The Mini 4 series has been developed with the best components and latest technology. The Mini 4 meters uses an LCD screen powered by an inner CR 2032 changeable battery that allows installation on any vehicle.

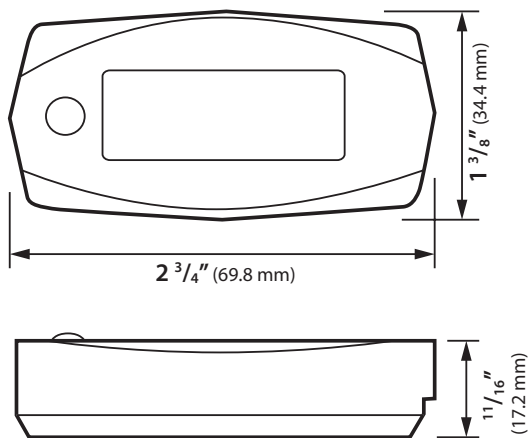
Our hour meter will allow you to track the motor running time and schedule your next engine maintenance. User-friendly and quick to install, this compact hour meter is a must to all serious riders.



(R = Range U= Unit)

Specifications

- Total hour meter
R: 0 ~ 99,999 H | U: 0.1 H
- Hour meter A/B (resettable)
R: 0 ~ 999,9 H | U: 0.1 H
- Effective temperature range
14 ~ 140 °F (-10 ~ 60 °C)
- Backlight:
12V DC
- Meter supply voltage:
DC 12 (battery)
- Power LCD
CR 2032
- Battery lifetime
± 350 H



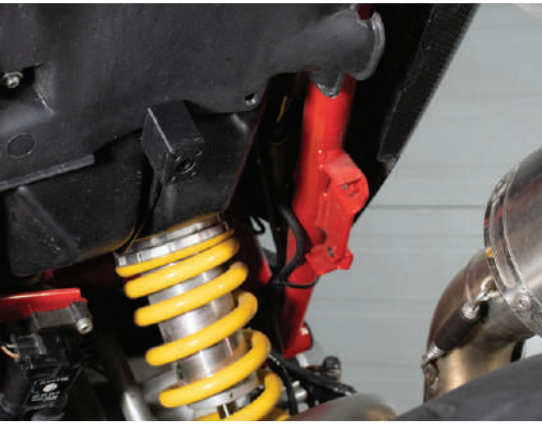
Mini4 IFR

new

part
BA033050

Infrared tire temperature meter with sensor

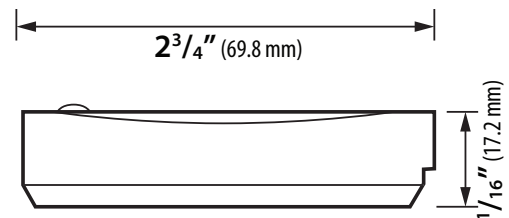
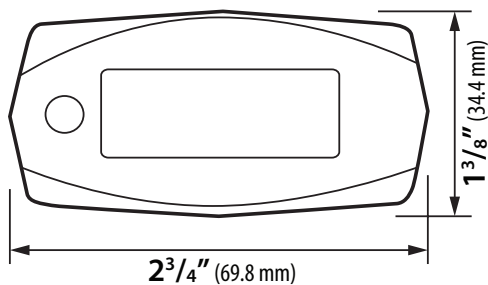
The infrared tire temperature meter by Koso has been designed to provide critical tire surface temperature readings. This device is a great tool for monitoring your tire temperature and manage your next session/race for a better tire wear. The sensor features a 10° field of view measuring temperatures up to 735°F.



(R = Range U= Unit)

Specifications

- Dimeable back light
- Programmable warning
- Volt meter
- 10° angle sensor
- Maximum recall
- Sensor operating temperature: -40 ~ 255 °F (-40 ~ 125 °C)
- Sensor temperature range: up to 715 °F (380 °C)
- Meter operating temperature: -14 ~ 140 °F (-10 ~ 60 °C)
- Effective voltage: DC 12



new

Super slim touch

Digital super slim touch screen, volt & temperature meter

This new small and compact size digital meter with touch screen lets you switch between volt and a temperature reading at the touch of your finger. The blue or red illuminated digits are attractive and easy to read at night.

part

BA068040

blue

BA068041

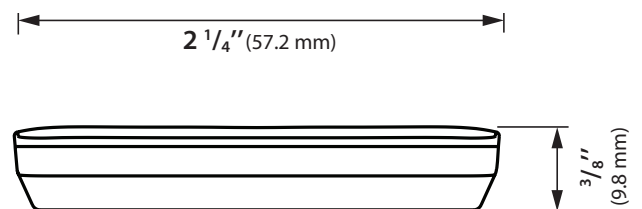
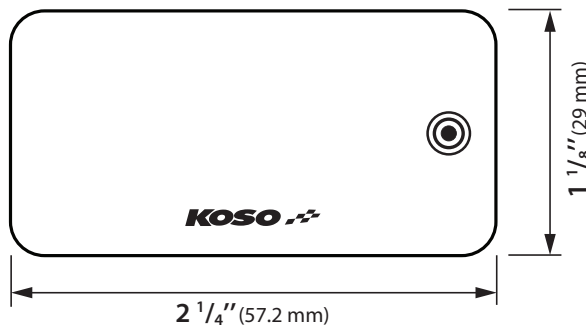
red



(R = Range U= Unit)

Specifications

- Volt meter**
 R: DC 8 ~ 18 V
 Flashing warning light when < DC 8 V or > DC 13 V.
- Temperature**
 R: -4 ~ 248 °F (-20 ~ 120 °C)
 U: 0.1 °F (°C) alternative
- Max temperature Record**
 R: 32 ~ 248 °F (0 ~ 120 °C)
- Overheat temperature Warning**
 R: 122 ~ 248 °F (50 ~ 120 °C)
- Effective temperature**
 R: 14 ~ 140 °F (-10 ~ 60 °C)



Super slim style

part

BA024B10

thermometer/°C version / blue

BA024R11

thermometer/°C version / red

BA024B11

thermometer/°F version / blue

BA024R10

thermometer/°F version / red

BA024B00

volt meter / blue

BA024R00

volt meter / red

BA024B50

clock & volt meter

Digital super slim style thermometer, volt & clock meters

Our Super Slim Style series is one of our best seller because its small and compact size makes it very easy to install at almost any location on the bike. The blue or red illuminated digits make the meter very attractive and easy to read at night. Different models are available, temperature meter, volt meter and clock/volt meter and they are all equipped with a warning function to help you monitor the information.

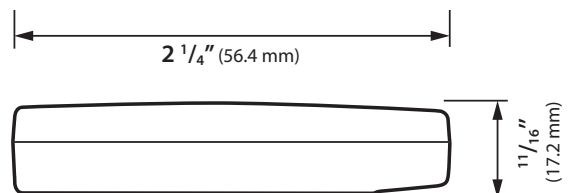
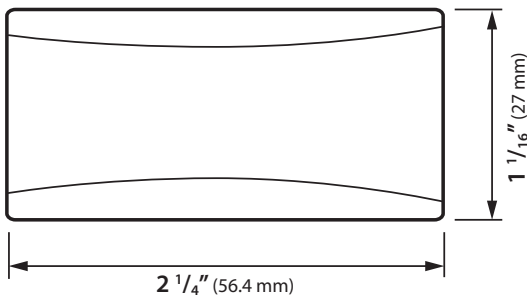


(R = Range U= Unit)

Specifications

■ Effective temperature range
14 ~ 140 °F (-10 ~ 60 °C)

■ Power DC 12V



Thermometer

Specifications

- Thermometer
R: 32 ~ 248 °F (0 ~ 120 °C)
U: 1 °F or °C (alternative)
- Temperature warning
Flashing light when > 248 °F (120 °C)
- Sensor type
Temp. sensor: BF030125 1/8 (BSP) x 28



Volt meter

Specifications

- Volt meter
R: DC 8 ~ 18 V | U: DC 0.1 V
- Voltage warning
Flashing light when < 11.5 V



Clock & volt meter

Specifications

- Clock R: 24 H format
- Volt meter
R: DC 6 ~ 19.9 V | U: DC 0.1 V
- Volt warning setting
R: DC 8 ~ 18 V | U: DC 0.1 V
Default values:
High DC 14 V | Low: DC 11 V



I-Gear

part

BA067B10

thermometer/ °C version / blue

BA067R10

thermometer/ °C version / red

BA067B12

thermometer/ °F version / blue

BA067R12

thermometer/ °F version / red

BA067B00

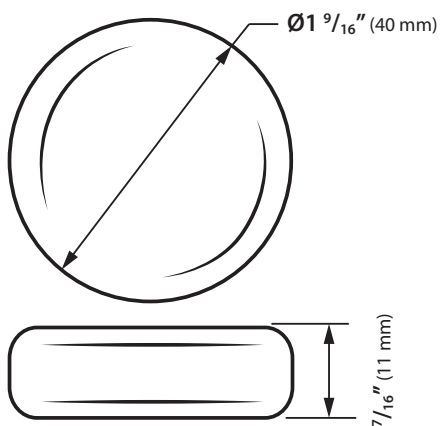
volt meter / blue

BA067R00

volt meter / red

Round style thermometer, volt & clock meters

The small and compact size of the I-Gear meters make it very easy to install at almost any location on the bike. The blue or red illuminated digits make these meters very attractive and easy to read at night. Different models are available : temperature meters, and volt meter. They are equipped with a warning function to help you monitor the information.



Thermometer

Specifications

- **Thermometer**
R: 32 ~ 248 °F (0 ~ 120 °C)
U: 1 °F or °C (alternative)
- **Temperature warning**
Flashing light when > 248 °F (120 °C)
- **Effective temperature range**
14 ~ 140 °F (-10 ~ 60 °C)
- **Power** DC 12 V
- **Sensor type**
Temp. sensor: BF030125 1/8 (BSP) x 28



Volt meter

Specifications

- **Volt meter**
R: DC 8 ~ 18 V | U: DC 0.1 V
- **Voltage warning**
Flashing light when < 11.5 V
- **Effective temperature range**
14 ~ 140 °F (-10 ~ 60 °C)



Proton

part

BA074200
thermometer

BA074000
RPM & hour meter

BA074300
volt meter

Meters

Designed to function on virtually any motorsport vehicle as it operates with a CR2032 replaceable battery. This light weight compact gauge features a large LCD display for easy reading and a removable face plate with all necessary hardware providing a simple and clean install.

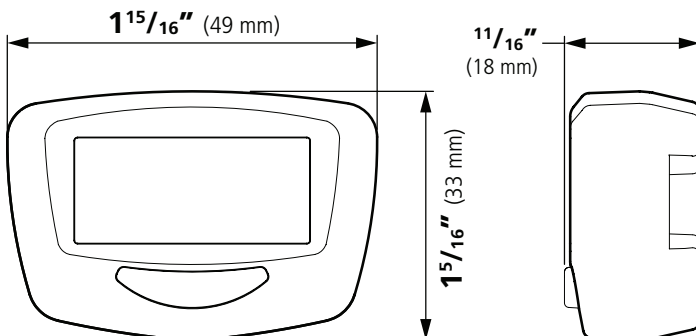


(R = Range U= Unit)

Specifications

■ Effective temperature range
14 ~ 140 °F (-10 ~ 60 °C)

■ Power DC 12V



Thermometer

The Proton water temperature meter will provide you with a precise reading of your engines coolant temperature. Supplied with a 1/8 BSP sensor, this meter will provide you with accurate temperature readings and help avoid overheating.

Specifications

- **Thermometer**
R: 32 ~ 248 °F (0 ~ 120 °C)
U: 1 °F or °C (alternative)
- **Temperature warning**
Flashing light when > 248 °F (120 °C)
- **Sensor type**
Temp. sensor: BF030125 1/8 (BSP) x 28



RPM & hour meter

The Proton RPM & hour meter will allow you to visualise the revolutions of your motor while the hour meter will keep track of the amount of time your engine has ran.

Specifications

- **Digital tachometer**
R: 0 ~ 20, 000 RPM | U: 100 RPM
- **Max RPM Record**
R: 0 ~ 20, 000 RPM
- **RPM input pulse**
R: 0.5/1/1.5/2
- **Total engine hour meter**
R: 0 ~ 999.9 / 1,000 ~ 99,999 H
- **Hour meter A/B**
R: 0 ~ 999.9 H | U: 0.1 H



Volt meter

The Proton volt meter will allow you to visualise the vital signs of your motor vehicles battery saving you from potential troubles.

Specifications

- **Volt meter**
R: DC1 ~ 70 V | U: DC 0.1 V
- **Max volt Record**
DC1 ~ 70 V



Proton thermometer with temperature adaptor

BA074200-14
14 mm adaptor

BA074200-18
18 mm adaptor

BA074200-26
26 mm adaptor

BA074200-16
16 mm adaptor

BA074200-22
22 mm adaptor



TNT-01R

part

BA035130

10, 000 | black / black face

BA035120

10, 000 | chrome / white face

BA035140

15, 000 | chrome / white face

Tachometer

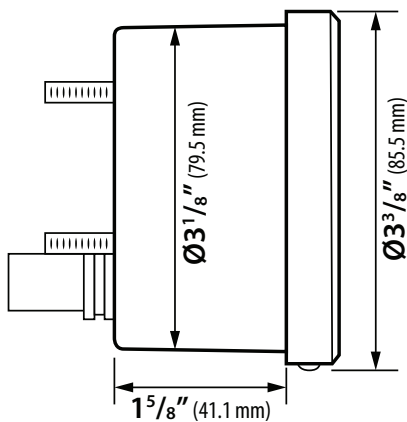
Built with the best components and strongest stepper motor on the market, this TNT-01R tachometer is the perfect addition for all motorcycles. Its large dial face and backlight make it easy to read all day long. Available in black dial face with black casing and white dial face with chrome casing.



(R = Range U= Unit)

Specifications

- Effective temperature range
14 ~ 140 °F (-10 ~ 60 °C)
- Tachometer
R: 0 ~ 225 MPH (0 ~ 360 km/h)
U: MPH or km/h
- RPM input signal number
R: 0.5, 1 ~ 6
- RPM input pulse
R: HI-ACT (positive wave pulse)
LO-ACT (negative wave pulse)
- Backlight brightness
R: 1/5 (darkest) ~ 5/5 (brightest)
- Effective temperature range
14 ~ 140 °F (-10 ~ 60 °C)
- Effective voltage
DC 12V
- Power DC 12V



TNT Bracket

optional, not included



■ 10, 000 RPM
with shift light

Specifications

- Tachometer
R: 0 ~ 10,000 RPM
Internal display : < 0.5 second
- Shift light
Light on / Flash



■ 15, 000 RPM
with shift light

Specifications

- Tachometer
R: 0 ~ 10,000 RPM
Internal display : < 0.5 second
- Shift light
Range: 0 ~ 15,000 RPM
Unit: 500 RPM
- Warning
Light on / Flash



TNT-01S

part

BA035170

black casing / black face

BA035160

chrome casing / white face

BA035170-HD

black casing / black face
for Harley-Davidson®

BA035160-HD

chrome casing / white face
for Harley-Davidson®

Speedometer

Our TNT-01S multifunction speedometer is the perfect meter for all the Café racers and special projects. The TNT-01S meter uses a stepper motor for a fast and smooth response. The instrument features many functions such as, speed, odometer, tripmeter, fuel meter, clock, voltage, indicator lights and more...

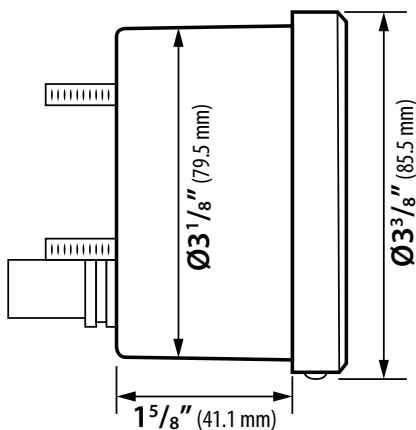
This meter is available in black or white face and includes the installation brackets and speed sensor.



(R = Range U= Unit)

Specifications

- **Digital speedometer**
R: 0 ~ 225 MPH (0 ~ 360 km/h)
U: MPH or km/h
- **Needle speedometer**
R: 0 ~ 140 MPH (km/h)
- **Odometer**
R: 0 ~ 99,999 miles (km) | U: 1 mile (km)
- **Tripmeter A/B**
R: 0 ~ 999.9 miles (km) | U: 0.1 mile (km)
- **Tire circumference**
R: 300 ~ 2,500 mm | U: 1 mm
Sensitive point: 1 ~ 20
- **Oil maintenance meter**
R: 0 ~ 99,999 miles (km) | U: 1 mile (km)
- **Fuel meter**
R: 6 levels | U: 16.6 %
- **Fuel resistance**
100 Ω / 250 Ω / 510 Ω / 1,200 Ω / SW
- **Volt meter**
R: DC 8 ~ 18 V | Flashing Warning light (< DC 11.5 V or > DC 15.5 V).
- **Clock** R: 24 H format
- **Backlight brightness**
R: 1/5 (darkest) ~ 5/5 (brightest)
- **Indicator lights**
Neutral / High beam / Turn signals / Check engine Oil level / Temperature / Speeding / RPM shift light
- **Effective temperature range**
14 ~ 140 °F (-10 ~ 60 °C)
- **Effective voltage**
DC 12 V
- **Sensor included**
Active speed sensor : BF019005



TNT-01

Multifunction Meter

Our TNT-01 multifunction meter is perfect for all the Café racers and special projects. The TNT-01 meter uses a stepper motor for a fast and smooth response. The instrument features many functions such as, speed, odometer, tripmeter, RPM, fuel meter, clock, voltage, shift light, indicator lights and more...

This meter is available in black or white face and includes the installation brackets and speed sensor.



(R = Range U= Unit)

Specifications

- **Speedometer**
R: 0 ~ 225 MPH (0 ~ 360 km/h)
U: MPH or km/h
- **Odometer**
R: 0 ~ 99,999 miles (km) | U: 1 mile (km)
- **Tripmeter A/B**
R: 0 ~ 999.9 miles (km) | U: 0.1 mile (km)
- **Tire circumference**
R: 300 ~ 2,500 mm | U: 1 mm
Sensitive point: 1 ~ 20
- **Tachometer**
R: 0~10,000 RPM
- **Shift-light**
R: 8,000 ~ 10,000 RPM | U: 100 RPM
- **Warning (shift light)**
R: Light on (F-OFF), Flash (F-ON)
- **RPM input signal number**
R: 0.5, 1 ~ 24
- **RPM input pulse**
R: HI-ACT (positive wave pulse)
LO-ACT (negative wave pulse)
- **Fuel meter**
R: 6 levels | U: 1 level = 16.6 %
- **Effective temperature range**
14 ~ 140 °F (-10 ~ 60 °C)
- **Fuel resistance**
R: 100 Ω / 250 Ω / 510 Ω / 1,200 Ω / SW
- **Clock** R: 24 H format
- **Volt meter**
R: DC 8 ~ 18 V | Flashing Warning light (< DC 11.5 V or > DC 15.5 V).
- **Backlight brightness**
R: 1/5 (darkest) ~ 5/5 (brightest)
- **Indicator lights**
Neutral / High beam / Turn signals /
Check engine / Oil level / Temperature /
Speeding / RPM shift light
- **Effective voltage**
DC 12 V
- **Sensor included**
Active speed sensor : BF019005

part

BA035K00

black casing / black face

BA035W00

chrome casing / white face

BA035K00-HD

black casing / black face
for Harley-Davidson®

BA035W00-HD

chrome casing / white face
for Harley-Davidson®

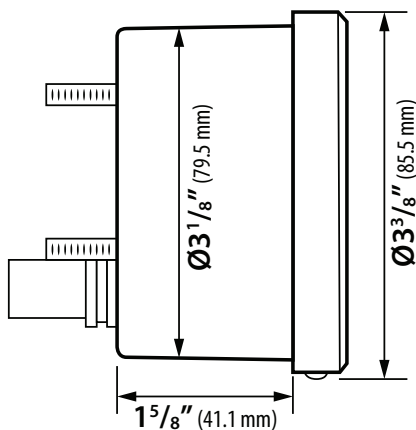




photo by James Matz

TNT-02

part

BA058100

BA058100-HD

for Harley-Davidson®

Multifunction meter

With its vintage look, our TNT-02 is the perfect meter for all Café racers and special project bikes that require a small multifunction meter. This 64 mm instrument is a smaller version of our popular TNT-01 and it has the same features such as; speedometer, odometer, tripmeter, tachometer, fuel meter, clock, shift light and indicator lights.

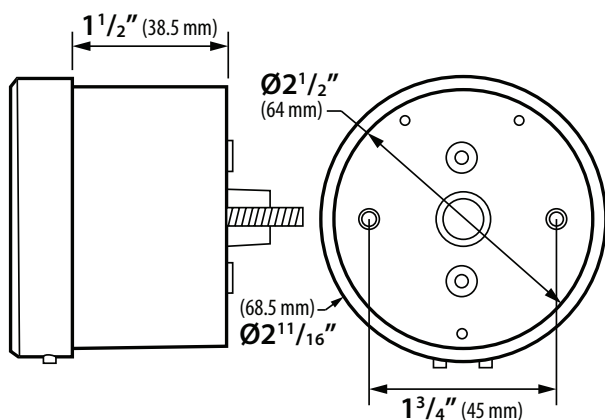
Its strong stepper motor allow the reading to be fast and smooth for the best in-time response you can have and its adjustable backlight brightness makes it very easy to read.



(R = Range U= Unit)

Specifications

- **Speedometer**
R: 0 ~ 225 MPH (0 ~ 360 km/h)
U: MPH or km/h
- **Odometer**
R: 0 ~ 99,999 miles (km) | U: 1 mile (km)
- **Tripmeter A/B**
R: 0 ~ 999.9 miles (km) | U: 0.1 mile (km)
- **Tire circumference**
R: 300 ~ 2,500 mm | U: 1 mm
Sensitive point: 1 ~ 20
- **Tachometer**
R: 0~10,000 RPM
- **Shift-light**
R: 5,000 ~ 20,000 RPM | U: 100 RPM
- **Warning (shift light)**
R: Light on (F-OFF), Flash (F-ON)
- **RPM input signal number**
R: 0.5, 1 ~ 6
- **RPM input pulse**
R: HI-ACT (positive wave pulse)
LO-ACT (negative wave pulse)
- **Fuel meter**
R: 0 ~ 100% | U: 1%
- **Clock** R: 24 H format
- **Backlight brightness**
R: 1/5 (darkest) ~ 5/5 (brightest)
- **Indicator lights**
Neutral / High beam / Turn signals /
Warning / RPM shift light
- **Effective temperature range**
14 ~ 140 °F (-10 ~ 60 °C)
- **Effective voltage**
DC 12 V
- **Sensor included**
Active speed sensor : BF019005



TNT-04

part

BA051401

silver bezel

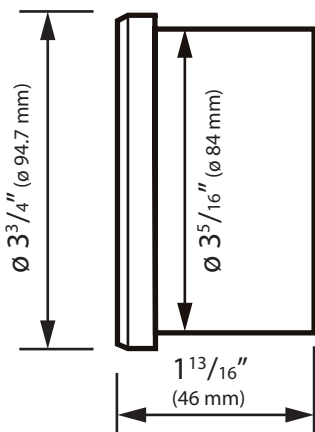
BA051411

black bezel

Multifunction meter

Our TNT-04 multifunction meter is perfect for all special projects. It is equipped with a 8 color changeable LCD display and also uses a strong stepper motor that provides a precise and fast RPM reading so that you can get in-time information. Some of the great functions this meter has to offer are : speed, RPM, indicator lights, fuel level, and gear position indicator.

Available in silver or black bezel, this is a great addition to customize your ride.



(R = Range U= Unit)

Specifications

- **Tachometer**
R & U: 0 ~ 10,000 RPM
- **RPM signal**
R: P-0.5, P1 ~ P24
- **RPM input pulse**
R: HI-ACT (positive wave pulse)
LO-ACT (negative wave pulse)
- **Over RPM warning**
R: 1,000 ~ 10,000 RPM | U: 100 RPM
Warning sign given once \geq value
- **RPM Shift-light**
R: 2,000 ~ 10,000 RPM | U: 100 RPM
Warning lights on $>$ value
- **Maximum RPM mode**
R: Light on (F-OFF), Flash (F-ON)
- **Speedometer**
R: 0 ~ 225 MPH (0 ~ 360 km/h)
U: MPH or km/h
- **Overspeeding warning**
R: 19 ~ 225 MPH (30 ~ 360 km/h)
U: MPH or km/h Warning lights on \geq value
- **Odometer**
R: 0 ~ 99,999 miles (km) U: 1 mile (km)
- **Tripmeter A/B**
R: 0 ~ 999.9 miles (km) U: 0.1 mile (km)
- **Tire circumference**
R: 300 ~ 2,500 mm | U: 1 mm
Sensitive point: 1 ~ 20
- **Thermometer**
R: 32 ~ 482 °F (0 ~ 250 °C)
U: 0.1 °F or °C (alternative)
- **Over temperature warning**
R: 140 ~ 482°F (60 ~ 250°C)
U: 1°F (°C)
- **Fuel meter**
R: 6 levels | U: 1 level = 16.6 %
- **Fuel resistance**
R: 100 Ω / 250 Ω / 270 Ω / 510 Ω / 1,200 Ω / Fuel switch / USER
- **Clock**
R: 12 H or 24 H format
- **Volt meter**
R: DC 8 ~ 18 V | Flashing Warning
light \leq value.
- **Backlight brightness**
R: 1/5 (darkest) ~ 5/5 (brightest)
- **Backlight colors**
White / light Blue / Blue / Purple / Red / Orange / Yellow / Green
- **Indicator lights**
Warning 1 / Warning 2 / Neutral / High beam / Turn signals /
Check engine / RPM shift light
- **Gear indicator**
Off, Highest gear, N & Highest gear, Show all, N, 1, 2, 3, 4, 5, 6
- **Effective temperature range**
14 ~ 140 °F (-10 ~ 60 °C)
- **Effective voltage**
DC 12 V



TNT-B

part

BA051300

silver bezel

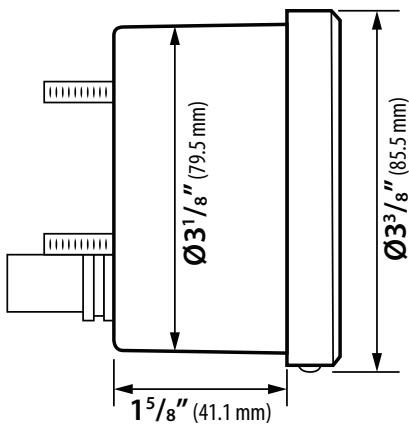
BA051310

black bezel

Multifunction meter - for Yamaha Bolt®

Yamaha Bolt® enthusiasts riders can now customize their motorcycle with our high-quality plug & play TNT-B meter. It is equipped with a 8 color changeable LCD display and also uses a strong stepper motor that provides a precise and fast RPM reading so that you can get in-time information. Some of the great functions this meter has to offer are : speed, RPM, indicator lights, fuel meter, and gear position indicator.

Available in silver or black bezel, this is a great addition to your Yamaha Bolt®.



Specifications

- **Speedometer**
R: 0 ~ 225 MPH (0 ~ 360 km/h)
U: 1 MPH or km/h
- **Overspeeding warning**
R: 19 ~ 225 MPH (30 ~ 360 km/h)
U: 1 MPH or km/h
Warning lights on \geq value
- **Maximum speed record**
R: 0 ~ 360 miles (km)
- **Odometer**
R: 0 ~ 99,999 miles (km) U: 1 mile (km)
- **Tripmeter A/B**
R: 0 ~ 999.9 miles (km) U: 0.1 mile (km)
- **Motor oil maintenance**
R: Close / 300 ~ 10,000 miles (500 ~ 16,000 km) U : 100 miles (km)
- **Fuel reserve tripmeter**
R: 0 ~ 9,999.9 miles (km) U: 0.1 mile (km)
- **Tire percentage**
R: 50 ~ 200 % | U: 1 %
- **Gear indicator**
R: Off, N, 1, 2, 3, 4, 5
- **Maximum gear level record**
R: Off, N, 1, 2, 3, 4, 5
Record gear level at maximum RPM
- **Tachometer**
R: 0 ~ 8,000 RPM | U: 100 RPM
- **Shift light warning**
R: 1,000 ~ 8,000 RPM | U: 100 RPM
Warning light on \geq value
- **Thermometer** U: °F or °C (alternative)
- **Engine temperature meter**
R: -22 ~ 437 °F (-30 ~ 225 °C)
U: 1 °F or °C (alternative)
- **Overheat warning**
R: 140 ~ 437°F (60 ~ 225°C)
- **Maximum temperature record**
R: -22 ~ 437 °F (-30 ~ 225 °C)
U: 1 °F or °C (alternative)
- **Round indicator light**
R: -22 ~ 437 °F (-30 ~ 225 °C)
- **Warning cause**
Speeding warning light, RPM shift light, Overheat warning light, Low voltage warning, Fuel warning, Oil maintenance, Highest gear
- **Warning method**
Lit(L), Slow flash (S), Flash (F)
- **Low fuel indicator**
R: ON / OFF / Flash
- **Clock** R: 12 H or 24 H format
- **Under voltage warning**
R: DC 8 ~ 18 V | DC 0.1 V
- **Backlight brightness**
R: 1/5 (darkest) ~ 5/5 (brightest)
- **Backlight colors**
White / Light Blue / Blue / Purple / Red / Orange / Yellow / Green
- **Indicator lights**
RPM shift light / Check engine / Oil level / High beam / Turn signals/ ABS / Anti-theft
- **ABS indicator**
R: Close (OFF) / Open (ON)
- **Effective temperature range**
14 ~ 140 °F (-10 ~ 60 °C)
- **Effective voltage**
DC 12 V



DL-04

new

part

BA077101

for 2013-2016 R nineT

BA077001

for 2017 - up R nineT

Multifunction meter (for BMW R nineT®)

With its modern look, this DL-04 speedometer is the perfect plug and play meter for the BMW R nineT bikes.

Featuring speed, odometer, tripmeter, hour meter, voltage, clock and stopwatch as well as 6 indicator lights, this meter will give you all information you need.

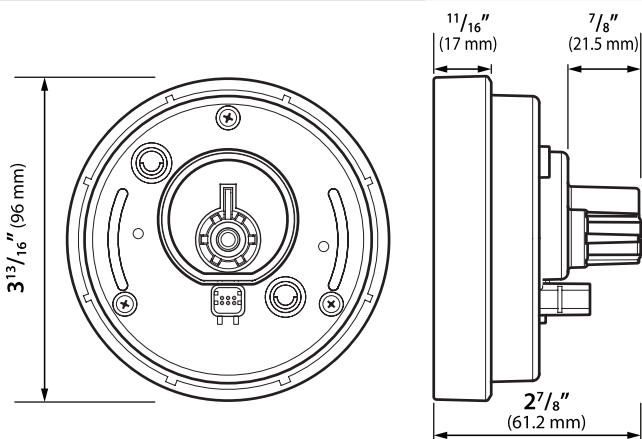


(R = Range U= Unit)



Specifications

- **Speedometer**
R: 0 ~ 225 MPH (0 ~ 360 km/h)
U: 1 MPH or km/h (alternative)
- **Tachometer**
R: 0 ~ 10,000 RPM - 0 ~ 15,000 RPM
- **Odometer (internal and external)**
R: 0 ~ 99,999 miles (km) | U: 1 mile (km)
- **Tripmeter 1, 2**
R: 0 ~ 9,999.9 miles (km)
U: 0.1 mile (km)
- **Tripmeter A (Daily riding mileage)**
R: 0 ~ 9,999.9 miles (km)
U: 0.1 mile (km)
- **Tripmeter R (Remaining fuel mileage)**
R: 0 ~ 9,999.9 miles (km)
U: 0.1 mile (km)
- **Oil Maintenance**
R: 300~10000 miles
- **Current fuel consumption**
R: 0.0 ~ 99.9 MPG(0.0 ~ 99.9 L/100)
- **Average speed**
R: 0 ~ 135 MPH (0 ~ 220 km/h)
- **Riding time**
R: 00:00 ~ 59:59
- **Gear indicator**
R: N, 1 ~ 6
- **Volt meter**
R: DC 10.0 ~ 16.0 V | U: DC 0.1 V
- **Date**
R: 01.01 ~ 12.31
- **Clock**
R: 12 or 24 H format
- **Temperature**
R: 14 ~ 140 °F (-10 ~ 60 °C)
- **Water temperature**
R: 14 ~ 140 °F (0 ~ 250 °C)
- **Backlight brightness**
R: 1 - 5(darkest) ~ 5 - 5 (brightest)
- **Indicator lights**
Turn signals / Neutral / Check engine /
Warning / High beam / ABS /
ASC/DWA warning light
- **Effective temperature range**
14 ~ 140 °F (-10 ~ 60 °C)



DL-Style

Tachometer

The DL style meter serie is built using a reverse LCD screen that gives it a unique look as they become completely dark when turned off. Another great feature of this meter is its compatibility with the Koso chrome bullet casing.



part

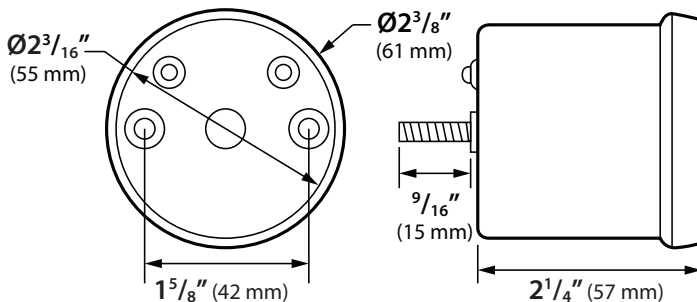
BA552B80
tachometer

BA552B80-HD
tachometer for
Harley-Davidson®

(R = Range U= Unit)

Specifications

- **Tachometer**
R: 0 ~ 20,000 RPM | U: 100 RPM
- **Tachometer level**
R: 0 ~ 10,000 / 15,000 / 20,000 RPM (alt)
U: 30 levels
- **Stroke / piston setting**
2 stroke: 1, 2, 3, 4 pistons
4 stroke: 1, 2, 3, 4, 5, 6, 8, 10, 12 pistons
- **Temperature level**
R: 68 ~ 248 °F (0 ~ 120°C)
U: 1 level= 50°F (10 °C)
- **Clock**
24 H format
- **Effective temperature**
R: 14 ~ 140 °F (-10 ~ 60 °C)
- **Effective voltage**
DC 12 V
- **Sensor type**
Passive speed sensor : BF019005



DL-01

part

BA484B20

water temperature

BA484B30

volt meter

BA484B20-HD

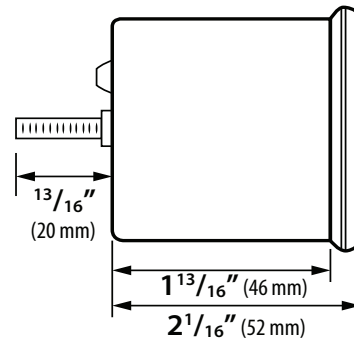
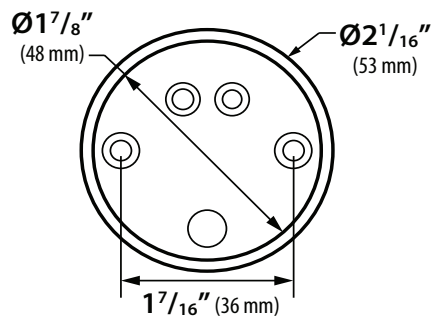
water temperature for
Harley-Davidson®

BA484B30-HD

volt meter for
Harley-Davidson®

LCD water temperature and volt meters

Koso's DL-01 meters use a reverse LCD display so when the meter is turned off, the screen is deep black. They are available in 3 versions; tachometer that can be programmed for 10K, 15K, 20K with recall function, thermometer with warning and volt meter.



DL-01T
Water temperature
meter

Specifications

- **Temperature level**
R: 32 ~ 500 °F (0 ~ 250 °C)
U: 1 level = ± 20 °F or ± 10 °C (alt)
- **Digital temperature**
R: 32 ~ 500 °F (0 ~ 250 °C)
U: 1 °F or 10 °C (alt)
- **Temperature warning**
R: 140 ~ 482 °F (60 ~ 250 °C)
HI displayed when over temp
- **Effective temperature range**
14 ~ 140 °F (-10 ~ 60 °C)
- **Power DC 12 V**
- **Sensor included**
Temp. sensor: BF030000 1/8 (BSP) x 28



DL-01V
Volt meter

Specifications

- **Volt level**
R: DC 8 ~ 19.9 V
U: 1 level = DC 0.66 V
- **Digital volt meter**
R: DC 8 ~ 19.9 V
U: 1 level = DC 0.1 V
- **Voltage warning**
R: DC 8 ~ 12 V
HI displayed when over voltage
- **Effective temperature range**
14 ~ 140 °F (-10 ~ 60 °C)
- **Power DC 12 V**



DL-02R

part

BA555B19

chrome casing

BA555B16

black casing

GP style tachometer

The DL-02R tachometer has been developed with the latest technology. Its unique casing allows the adjust buttons to be right in the front. This makes the DL-02R a very convenient instrument to adjust.

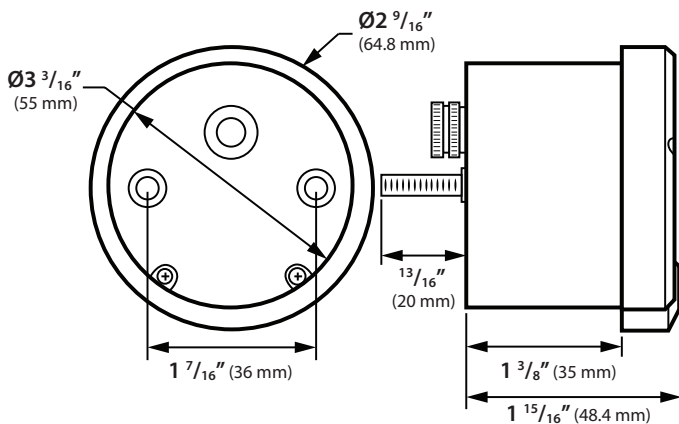
The big digits and blue backlight make the DL-02R a very easy meter to read even at night.



(R = Range U= Unit)

Specifications

- **Speedometer**
R: 0 ~ 225 MPH (0 ~ 360 km/h)
U: 1 MPH or km/h (alternative)
- **Thermometer A/B**
R: 32 ~ 482 °F (0 ~ 250°C)
U: 0.1°F or °C (alt)
- **Tachometer**
R: 0 ~ 20,000 RPM | U: 100 RPM
- **Tachometer level**
R: 0 ~ 10,000 / 15,000 / 20,000 RPM
U: 30 levels
 - 10,000 RPM: 1 level = 333 RPM
 - 15,000 RPM: 1 level = 500 RPM
 - 20,000 RPM: 1 level = 666 RPM
- **Stroke / piston setting**
2 stroke: 1, 2, 3, 4 pistons
4 stroke: 1, 2, 3, 4, 5, 6, 8, 10, 12 pistons
- **Clock**
R: 24 H format
- **Effective temperature**
R: 14 ~ 140 °F (-10 ~ 60 °C)
- **Effective voltage**
DC 12 V
- **Sensor type**
Temp sensor : BF030000 1/8 (BSP) x 28



DL-03SR

part

BB642W20

GP style multifunction meter

The DL-03SR GP Style multifunction meter features about all the functions you need to go on the street. The large digits, indicator lights and backlight make this instrument easy to read, even at night. The universal speed sensor and bracket allow to install this meter on about any applications.

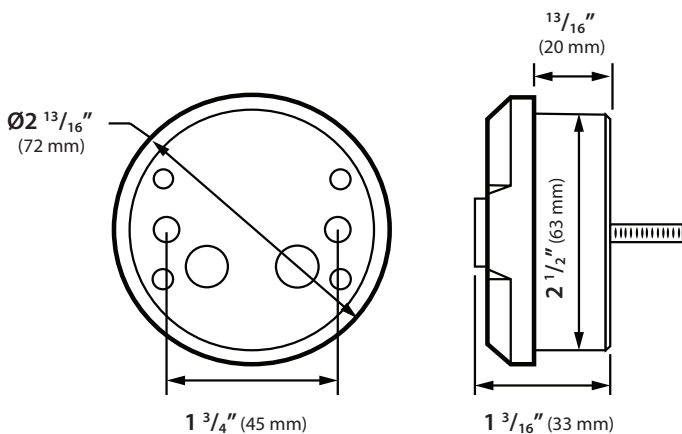
Compact, lightweight, easy to operate, this is our DL-03SR GP Style multifunction meter.



(R = Range U = Unit)

Specifications

- **Speedometer**
R: 0 ~ 225 MPH (0 ~ 360 km/h)
U: 1 MPH or km/h
- **Odometer**
R: 0 ~ 99,999 miles (km) U: 1 mile (km)
- **Tripmeter A/B**
R: 0 ~ 999.9 miles (km) U: 0.1 mile (km)
- **Fuel / remaining distance**
R: 0 ~ 999.9 miles (km) U: 0.1 mile (km)
- **Tire circumference**
R: 300 ~ 2,500 mm | U: 1 mm
Sensor point: 1 ~ 60
- **Tachometer**
R: 0 ~ 15,000 RPM
U: 1 level = 1,000 RPM
- **Fuel level** R: 4 levels
Flashing fuel symbol when 1 level left
- **Fuel resistance**
R: 100 Ω / 250 Ω / 510 Ω / 1,200 Ω
- **Clock** R: 24 H format
- **Digital volt meter**
R: DC 5 ~ 24 V
Flashing warning light when < DC 8 V or > DC 18 V.
- **Volt meter**
R: 4 levels
Flashing volt symbol when 1 level left
- **Backlight brightness**
R: 1/5 (darkest) ~ 5/5 (brightest)
- **Indicator lights**
Neutral / Check engine / Oil level / High beam / Turn signals /
- **Effective temperature**
R: 14 ~ 140 °F (-10 ~ 60 °C)
- **Effective voltage** DC 12 V
- **Sensor included**
Passive speed sensor : BF019J06



DL-03A

new

part

BB642W30

with 6ft extension wire

BB642W31

with 12ft extension wire

Air/Fuel ratio & RPM data logger

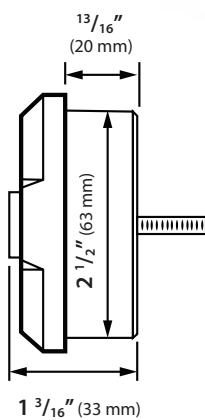
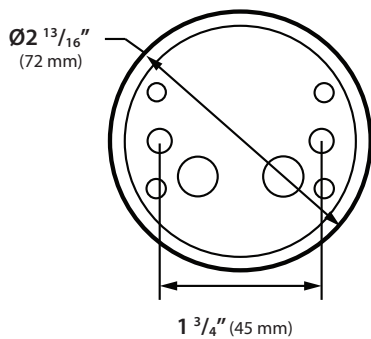
The DL-03A is the newest addition into our lineup of meters. It features air/fuel ratio reading, RPM and data logging playback ability in real time to optimize your rides performance.

Automatically activates the heated screen to increase display reaction time in cold weather.

This meter is also easy to operate, compact and lightweight and can be mounted to many applications including snowmobiles, UTV's and more.



LSU 4.9 sensor included



(R = Range U= Unit)

Specifications

- **Tachometer**
R: 0 ~ 14,000 RPM
U: 1 level = 1,000 RPM
- **Air/fuel ratio**
R: 9.0 ~ 24.0
- **Over LEAN setting**
R: LEAN 14.7 ~ 24
- **Over RICH setting**
R: RICH 9.0 ~ 14.7
- **Sensor type**
Bosch oxygen sensor: LSU 4.9
- Compatible with 2 stroke or 4 stroke engines
- "2 stroke adaptor" **BC001855** is optional when used on a 2 stroke application
- Requires a DC 12 V battery absolutely (will not function with our AC/DC converter) !
- **Records:** Number of records: 50 sessions
- **Recording time**
R: 99'59"99 seconds | TR: approx 3.18 Hr
- **Play mode speed**
1 x play / pause | 3 x play / pause
1/3 x play / pause | 1 x rewind / pause
- **Digital volt meter**
R: DC 5 ~ 24 V
Flashing numbers settable range
DC 8V to DC 18V
- **Heated screen**
Optimized reaction time under cold weather
- **Backlight brightness**
R: 3 levels
- **Indicator lights**
5 red LED warning lights
- **Effective temperature**
R:14 ~ 140 °F (-10 ~ 60 °C)
- **Effective voltage** DC 12 V



GP Style

part

BA551B23

white face

GP style tachometer with water temperature

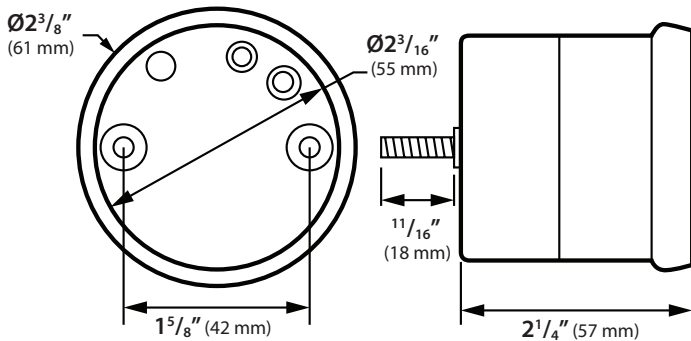
This Koso meter features 9,000 RPM analog reading that uses illuminated needle. It is also equipped with a digital temperature reading that will provide you with the most crucial information you need about your motorcycle's engine.



(R = Range U= Unit)

Specifications

- **Tachometer**
R: 0 ~ 9,000 RPM | U: 100 RPM
- **Temperature**
R: 32 ~ 250 °F (0 ~ 120 °C)
U: 0.1 °F or °C (alt)
- **Effective temperature**
R: 14 ~ 140 °F (-10 ~ 60 °C)
- **Effective voltage** DC 12 V
- **Sensor type**
Temp sensor : BF030125



GP II Style

GP II style tachometer

Get a faster RPM reading with this GP II Style tachometer ! Its upgraded internal motor allows the needle to respond faster and be more stable. The black background will allow you to see the warning light easily even under the sun. Compact, lightweight, this meter is perfect for all motorcycles.

part

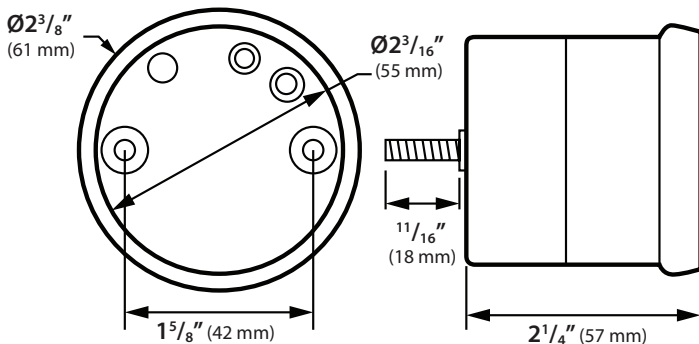
BA486W00



(R = Range U= Unit)

Specifications

- **Speedometer**
R: 0 ~ 225 MPH (0 ~ 360 km/h)
U: 1 MPH or km/h (alternative)
- **Tachometer**
R: 0 ~ 15,000 RPM | U: 500 RPM
- **Shift light**
R: 0 ~ 15,000 RPM | U: 500 RPM
- **Max RPM record**
R: 0 ~ 15,000 RPM
- **Stroke / piston setting**
2 stroke: 1, 2 pistons
4 stroke: 1, 2, 3, 4 pistons
- **Effective temperature**
R: 14 ~ 140 °F (-10 ~ 60 °C)
- **Effective voltage DC 12 V**



Heated equipment



MX-1

part

AX1070G0

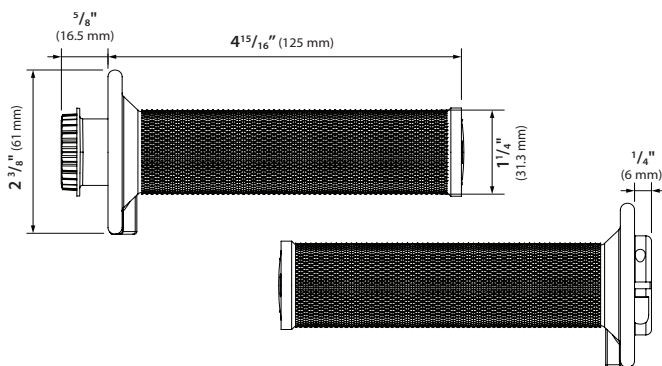
Snowmobile / dirt bike heated grips

Designed specifically for dirt & snow bikes. The aggressive lock on diamond pattern grip made of high quality materials will be sure to keep your hands glued to the grips all while keeping them warm and comfortable at the same time.



Specifications

- Power: require DC 14 V, 35 W of power/pair and draws 2.5 A/pair at maximum level
- Includes 2 clamp-on grips
- 5 level external controller for temperature adjustment
- Low battery cut off protection
- Internal memory that allows grips to power on at previous heat level
- Removable end caps



Apollo

part

AM111010

120 mm

AM111030

130 mm

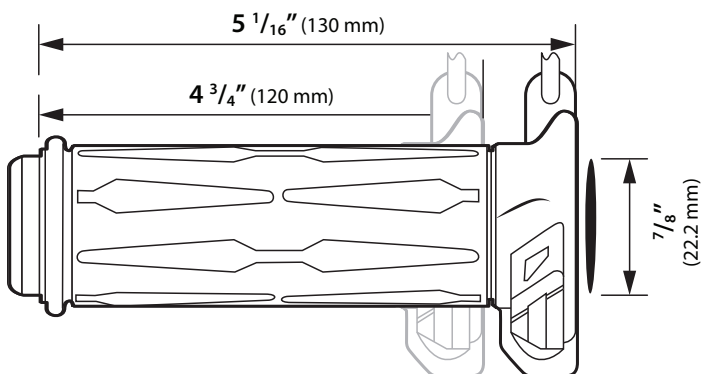
Heated grips universal fit

The Apollo heated grips are a prime example of Koso's innovation. Featuring Koso's exclusive integrated thumb switch, it allows you to control the level of the grips with a simple press of the thumb without ever removing your hand from the grip.



Specifications

- Integrated temperature level thumb switch
- Universal fitment (120mm or 130mm)
- 5 temperature levels to choose from indicated by multi-color LED
- Low battery cut off protection
- Internal memory that allows grips to power on at previous heat level
- Fits L:7/8" - R:1" handlebar for twist throttle applications



Apollo

Heated grips universal fit (ATV & snowmobile)

Pushing forward and innovating is what we do. After huge success with our original Apollos we've decided to release a version for thumb throttle vehicles. Featuring our exclusive thumb switch design and 5 levels of temperature, these grips are ergonomically friendly and keep your hands warm in cold harsh weather.



Specifications

- 130 mm size
- Integrated temperature level thumb switch
- Universal fitment for all ATV and snowmobile models
- 5 temperature levels to choose from indicated by multi-color LED
- Low battery cut off protection
- Internal memory that allows grips to power on at previous heat level

part

AX073010

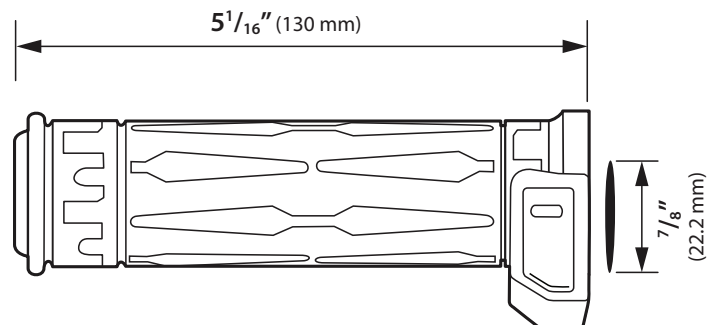
L: 7/8" – R: 7/8" handlebar

AX073210

L: 7/8" – R: 7/8" handlebar with heated thumb



*AX073210 shown



Apollo-X

part

AX118010
Electric throttle

AX118210
Cable throttle

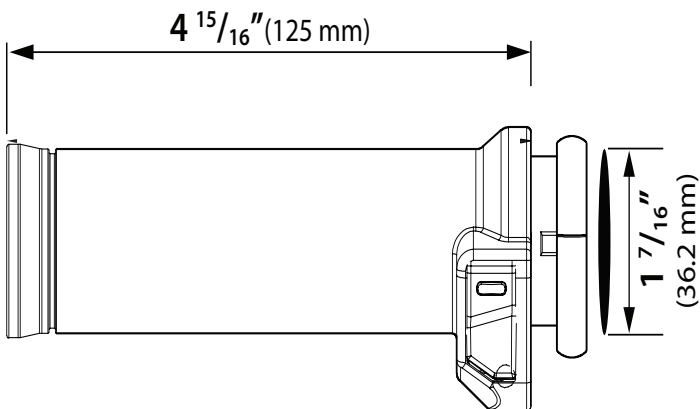
Heated Grips for Harley Davidson®

Stay under the radar with our OE style heated grips. Featuring Koso's innovative thumb switch design which enables riders to easily scroll through temperature levels without taking a hand off the handlebars. Features soft to the touch rubber composite comfortable for short or long rides. Fits HD electronic throttle & fly by wire. Ideal for all season riding. * Fits L: 1" – R: 1" handlebar



Specifications

- Integrated temperature level thumb switch
- Universal fitment designed to fit most Harley-Davidson® models
- 5 temperature levels to choose from
- 5 color LED indicator to display which temperature setting is currently in use
- Low battery cut off protection
- Made of soft to the touch rubber composite
- Internal memory that allows grips to power on at previous heat level
- Available for electronic and cable throttle models



Titan

part

AX065MG0

Chrome

AX065KG0

Black

Heated grips (twist throttle)

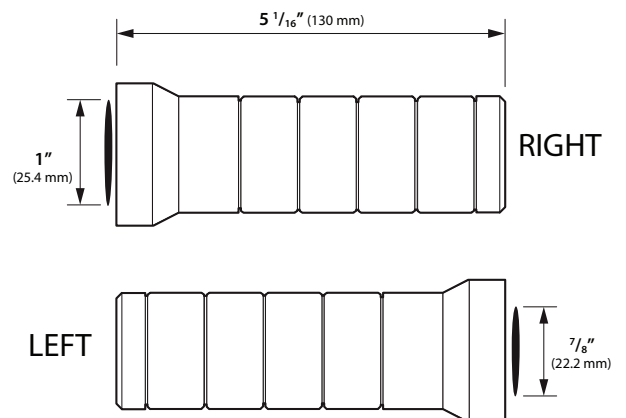
Our Titan heated grips are sure to keep you warm through all of your adventures and help yield those couple extra hours of riding that you so often crave. Featuring an external 5 color LED display controller, your temperature can easily be changed with the click of a simple button.

Available in a black or chrome finish and made of aluminum and soft to the touch rubber. * Fits on cruiser motorcycles.



Specifications

- 130 mm size
- Integrated temperature level thumb switch
- Universal fitment for all ATV and snowmobile models
- 5 temperature levels to choose from indicated by multi-color LED
- Low battery cut off protection
- Internal memory that allows grips to power on at previous heat level



Titan-X

part

AX068K00

Electronic Throttle - Black

AX068M00

Electronic Throttle - Chrome

AX068K10

Cable Throttle - Black

AX068M10

Cable Throttle - Chrome

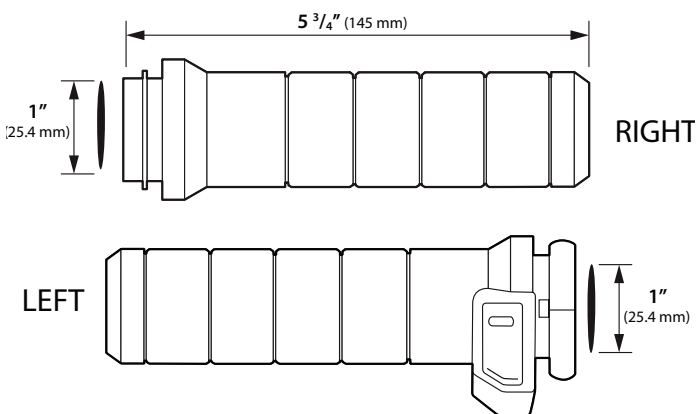
Heated grips for Harley-Davidson®

Finished are the days of searching around for a dial or button to power on heated grips. Our Titan-X heated grips for Harley-Davidson® feature an integrated 5 temperature level thumb switch which allows riders to easily power on/off or adjust the level of temperature without having to remove their hands from the handlebars.* Fits 1" + 1" handlebar



Specifications

- Integrated temperature level thumb switch
- Universal fitment designed to fit most Harley-Davidson® models
- 5 temperature levels to choose from
- 5 color LED indicator to display which temperature setting is currently in use
- Low battery cut off protection
- Internal memory that allows the grips to stay at previous warmth level
- Made of aluminium and high quality soft to the touch rubber
- Available anodized black or chrome
- Available for electronic and cable throttle models



new

Titan-S

part

AX065K10

Black

AX065M10

Chrome

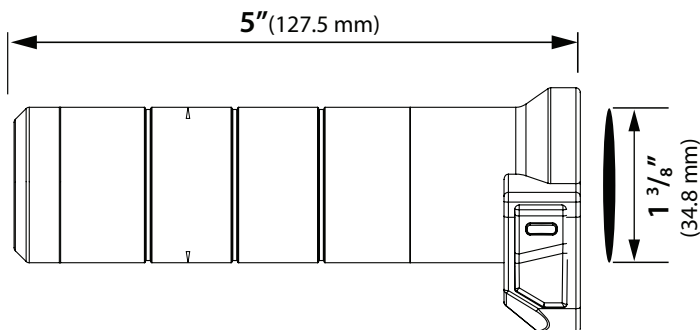
Heated grips universal fit

Stay warm with the koso Titan-s heated grips. Perfect for all applications, the titan-s features koso's innovative thumb switch design which provides the ability to safely rotate through temperature levels without removing any hands from the handlebars. *Universal Fitment: 7/8"+1" handlebars



Specifications

- Integrated temperature level thumb switch
- Universal fitment designed to fit 7/8" + 1" handlebars
- 5 temperature levels to choose from
- 5 color LED indicator to display which temperature setting is currently in use
- Low battery cut off protection
- Internal memory that allows the grips to stay at previous warmth level
- Made of soft to the touch rubber composite
- Available anodized black or chrome



Multi Adjustment

part

AM10700F

Fits L: 7/8" – R: 1" handlebar

AM10720F

Fits L: 1" – R: 1 1/8" handlebar

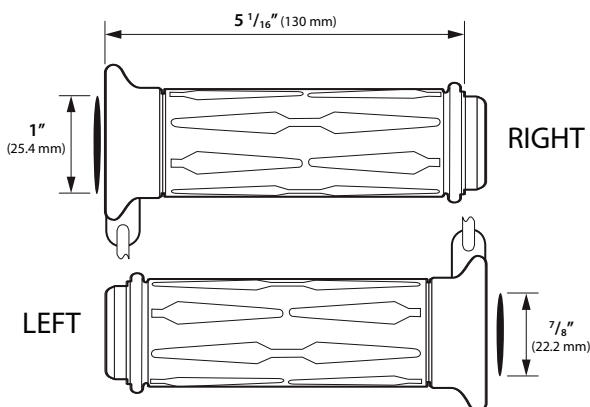
Specifications

- Multi adjustment controller allows you to adjust the temperature to desired comfort level
- "Short circuit protection" and "low battery cut off protection"
- Rubber material that is resistant to outdoor conditions and high temperatures
- Internal memory that allows the grips to stay at last warmth level
- Thin and flexible silicone wires make them easy to install



Heated grips (for twist throttle)

Available in an assortment of sizes, twist or thumb throttle. These Multi Adjustment heated grips will keep your hands warm even in the harshest cold weather conditions. The external controller featuring a simple dial and an LED lite background allows you to simply choose your level of temperature even at night time. The Multi Adjustment heated grips also feature a "low voltage cut off protection", this system will automatically detect the voltage of your machine and automatically shut off the heated grips if the voltage happens to fall under 12V.



Multi Adjustment

Heated grips (for thumb throttle)

Available in an assortment of sizes, twist or thumb throttle. These Multi Adjustment heated grips will keep your hands warm even in the harshest cold weather conditions. The external controller featuring a simple dial and an LED lite background allows you to simply choose your level of temperature even at night time. The Multi Adjustment heated grips also feature a "low voltage cut off protection", this system will automatically detect the voltage of your machine and automatically shut off the heated grips if the voltage happens to fall under 12V.

part

AM10710F

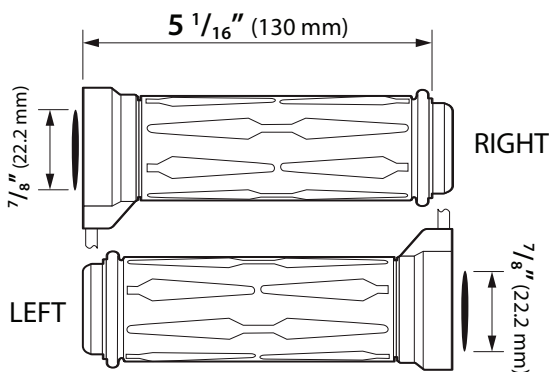
Fits L: 7/8" R: 7/8" handlebar

AM10711F

Fits L: 7/8" R: 7/8" handlebar with heated thumb

Specifications

- Multi adjustment controller allows you to adjust the temperature to desired comfort level
- "Short circuit protection" and "low battery cut off protection"
- Rubber material that is resistant to outdoor conditions and high temperatures
- Internal memory that allows the grips to stay at last warmth level
- Thin and flexible silicone wires make them easy to install



5 Level

part

AM10703G

Fits L: 7/8" – R: 1" handlebar

AM10706G

Fits L: 1" – R: 1 1/8" handlebar

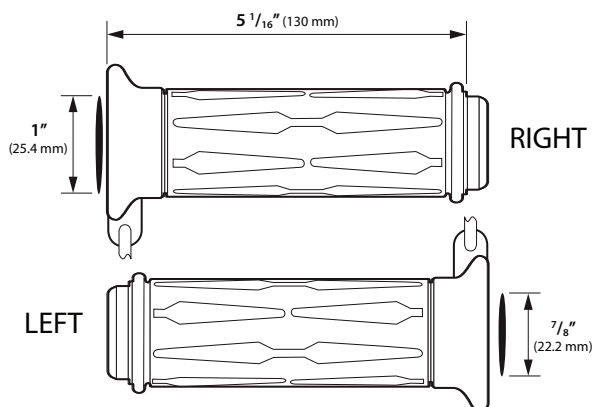
Specifications

- 5 level temperature controller allows you to adjust the temperature to desired comfort level
- "Short circuit protection" and "low battery cut off protection"
- Rubber material that is resistant to outdoor conditions and elevated temperatures
- Internal memory that allows the grips to stay at last warmth level
- Thin and flexible silicone wires make them easy to install

Heated grips (for twist throttle)

Also available in an assortment of sizes for motorcycles as well as ATV's and snowmobiles, these 5 level heated grips feature an external controller with 5 levels of heat to choose from. The controller features simply one button to rotate through temperature levels and 5 LED lights to indicate which level of temperature is in use.

The 5 level heated grips also feature a "low voltage cut off protection", this system will automatically detect the voltage of your machine and automatically shut off the heated grips if the voltage happens to fall under 12V.



5 Level

Heated grips (for thumb throttle)

Also available in an assortment of sizes for motorcycles as well as ATV's and snowmobiles, these 5 level heated grips feature an external controller with 5 levels of heat to choose from. The controller features simply one button to rotate through temperature levels and 5 LED lights to indicate which level of temperature is in use.

The 5 level heated grips also feature a "low voltage cut off protection", this system will automatically detect the voltage of your machine and automatically shut off the heated grips if the voltage happens to fall under 12V.



part

AM10710G

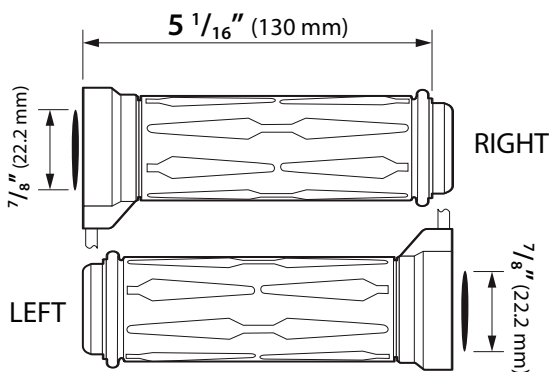
Fits 7/8" + 7/8" handlebar

AM10712G

Fits 7/8" + 7/8" handlebar - heated thumb

Specifications

- 5 level temperature controller allows you to adjust the temperature to desired comfort level
- "Short circuit protection" and "low battery cut off protection"
- Rubber material that is resistant to outdoor conditions and elevated temperatures
- Internal memory that allows the grips to stay at last warmth level
- Thin and flexible silicone wires make them easy to install



X-Claws

new

part

AX1200M0

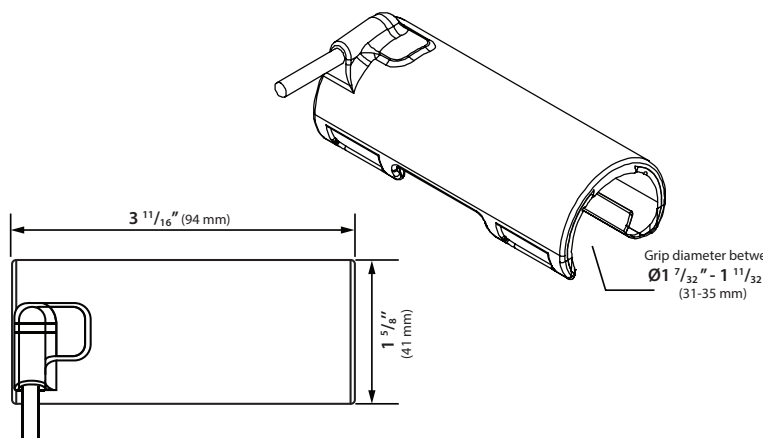
Universal fit

Specifications

- 12V power source requires 10W minimum
- lo and hi level inline switch
- Universal fit to be clipped on any handlebar sizes
- Rubber material that is resistant to outdoor conditions and high temperatures
- Thin and flexible silicone wires make them easy to install

Heated Clip-On with Lo Hi switch (for 12V power source)

These new heated devices are for the user that does not want to commit to changing their grips but still want to maintain the comfort of heated grips. The fitment is intended to fit all sorts of handlebar sizes. They can be installed and removed in a matter of seconds and kept in any sport bag when not in use. The power source requires a 12V connection. There is 5 levels of heat offered to suit your preference.



new

X-Claws

Heated Clip-On (for USB power source)

These new heated devices are for the user that does not want to commit to changing their grips but still wants to maintain the comfort of heated grips. The fitment is intended to fit all sorts of handlebar sizes. They can be installed and removed in a matter of seconds and kept in any sports bag when not in use. The power source is a simple connection to your USB port (5V).



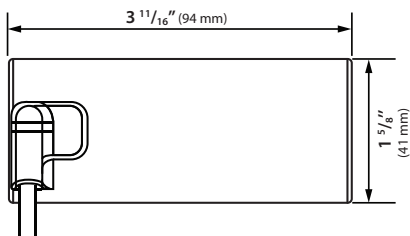
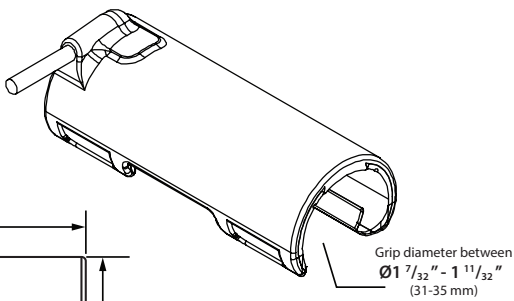
part

AX120000

Universal fit

Specifications

- Easy plug and play USB power source (5V)
- Single heating level requires 10W minimum
- Universal fit to be clipped on any handlebar sizes
- Rubber material that is resistant to outdoor conditions and high temperatures
- Thin and flexible silicone wires make them easy to install



HB-01

new

part

AX1300M0



Bicycle Heated Grips (for USB power source)

These new heated grips are designed for bicycle enthusiasts that enjoy riding their bikes during colder times. The fitment is intended to fit most standard handlebar sizes.

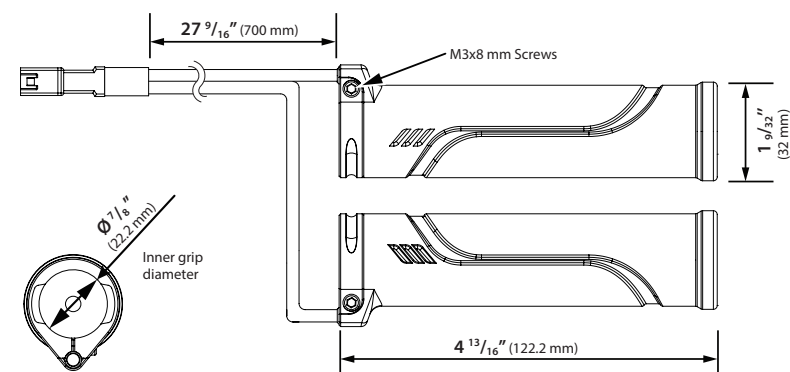
With the simplicity of the battery pack holder, it can be installed and removed in a matter of seconds and kept in any sports bag when not in use or for recharging. The power source is a simple connection to a USB port (5V).



(R = Range U= Unit)

Specifications

- Easy plug and play USB power source (5V)
- Single heating level requires 10W minimum
- Universal battery pack holder to be clipped on any handlebar or frame sizes (*battery pack not included)
- Rubber material that is resistant to outdoor conditions and high temperatures
- Thin and flexible silicone wires make them easy to install



LED lights & mirrors



Thunderbolt

part

GA002000

Specifications

- Class D brightness level
- Brightness :
 - Low beam : 1058 lumens
 - High beam : 813 lumens
- Built in CNC made housing allowing easy installation
- * E-mark and DOT compliant

LED headlight

A brighter headlight means more security, this is the reason why Koso decided to release its new Thunderbolt LED headlight. This headlight features a light weight but durable aluminium housing and is one of the only headlights on the market today to be produced using CNC technology. This headlight is universal meaning it can fit virtually any bike and is also DOT certified.



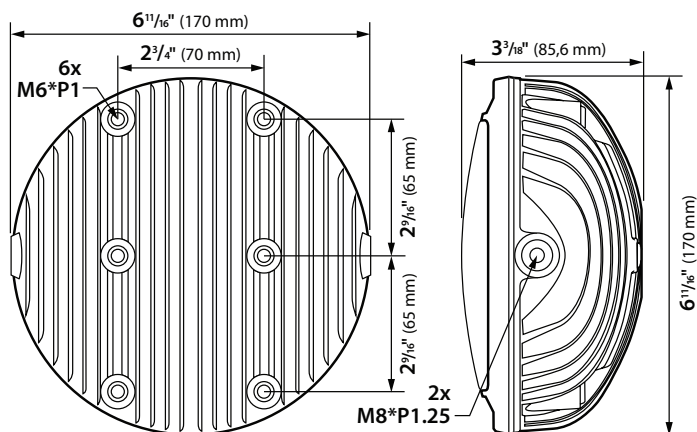
Low



High



Daytime



new

Hawkeye

Dual LED headlights

The new Hawkeye dual headlight give an awesome custom look while providing powerful LED brightness. These headlights features a light weight and durable CNC aluminium housing that can be installed on virtually any application. E-Mark and DOT certified.



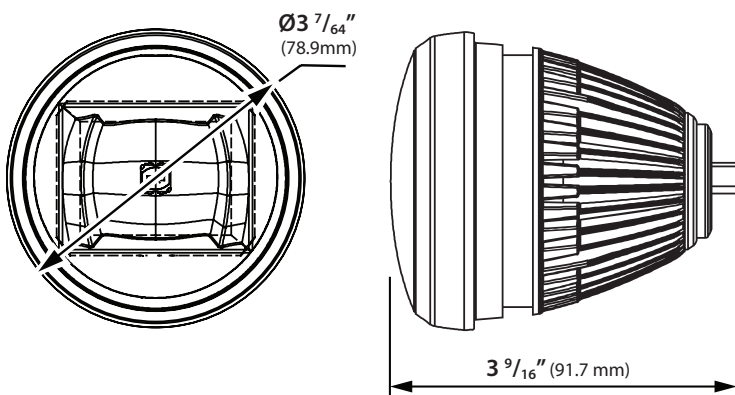
part

GA004100

dual headlight full kit

Specifications

- Seperate low and high beam
- Class D brightness level
- Brightness :
 - Low beam : 1058 lumens
 - High beam : 813 lumens
- Built in CNC made housing allowing easy installation
- * E-mark and DOT compliant



Aurora

part

HG008001

Specifications

LED fog lights

- Brightness: 420 lumens each
- Angle of pitch
+90° / +45° / 0° / -45° / -90°
- Temp range:
14 ~ 140 °F (-10 ~ 60 °C)
- Effective voltage: DC 10 ~ 16 V

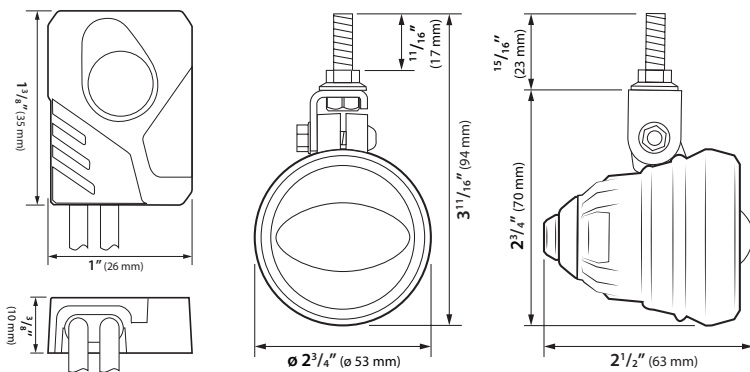
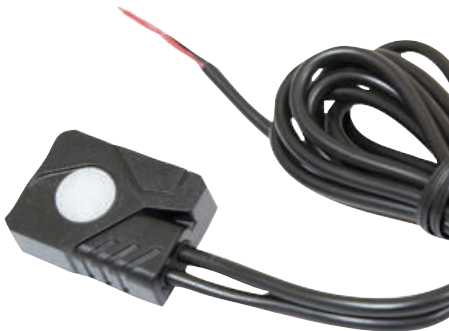
Controller

- Power: DC 12 V / 7 W

LED fog lights

When it comes to riding motorcycle, security should definitely be a priority. This is why the use of fog lights is a must for seeing and being seen under bad weather conditions. Lightweight, easy to install and adjustable, our Koso quality Aurora fog lights will complement your ride.

* DOT & ECE compliant.



LED taillight

The latest LED technology in the form of a taillight. Whether you are looking to bring your bikes lighting up to date or looking to set your ride apart you can rest assure Koso's Halo taillight will provide. Featuring the latest and greatest Ultra bright LED technology you can rest assure other motorists will spot you on the road all while providing a great modernized look.



part

HB031000

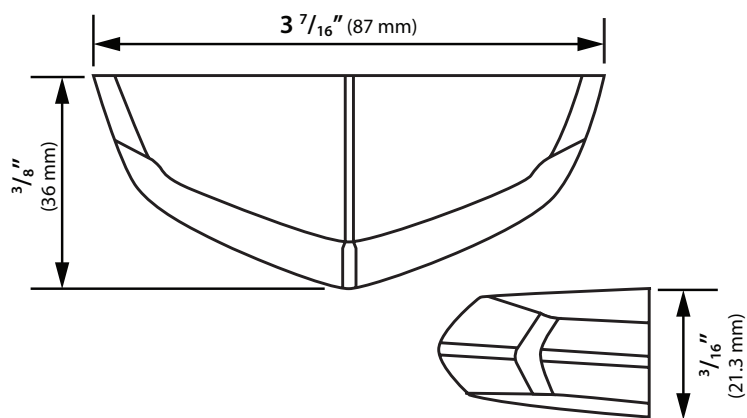
red lens

HB031100

smoke lens

Specifications

- Red or smoke lens
- Halo style daytime running light
- 3 ultra-bright LED lights brake lights



GT-02S

new

part

HB036000

red lens

HB036100

smoke lens

Daytime running light



Brake light



X style LED taillight

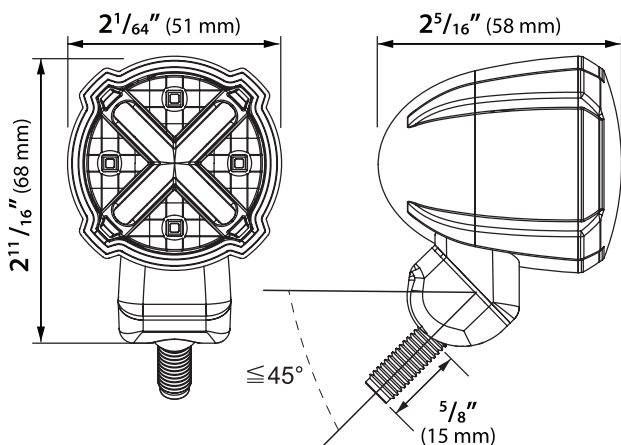
The latest LED technology in a different style taillight. This X style design will set your ride apart from any other rides on the road. The ultrabright brake LED lights will make sure you are visible for other vehicles.

Featuring the latest and greatest Ultra bright LED technology you can rest assure other motorists will spot you on the road all while providing a great modernized look.



Specifications

- Red or smoke lens
- X pattern, halo style daytime running light
- 4 ultra-bright LED lights brake lights



Infinity

LED taillight

Set your motorcycle apart using the Koso Infinity taillight. Available with red or smoke lens, its 6 ultra-bright LED lights will increase your visibility. This taillight also has a license plate light which makes it better. Affordable and easy to install, this is a must to customize your motorcycle or scooter.



part

HB025020

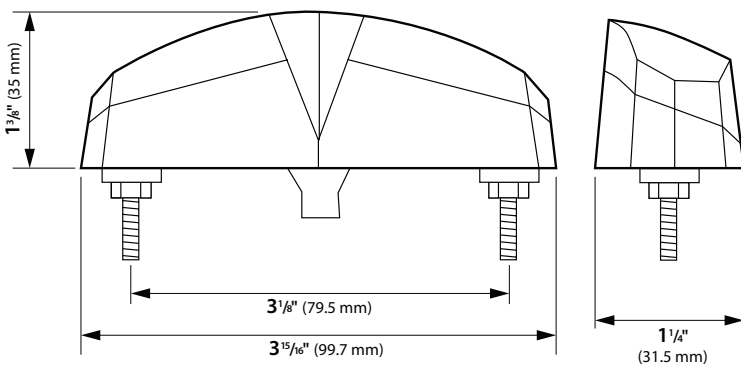
red lens

HB025010

smoke lens

Specifications

- 6 ultra-bright LED lights
- License plate light
- Red or smoke lens



Nano

part

HB026000

red lens

HB026010

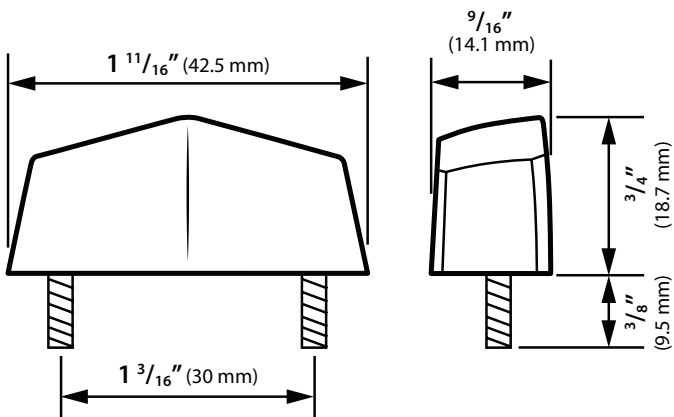
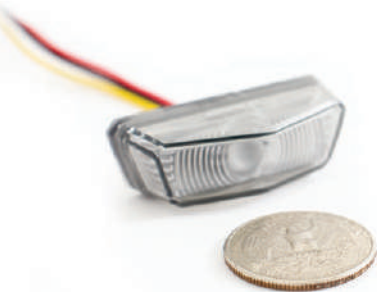
smoke lens

Specifications

- 1 ultra-bright LED light
- Red or smoke lens

LED taillight

Our Nano brake light is probably one of the smallest, brightest and lightest taillight on the market. Its ultra-bright LED is made to increase the rear visibility and allow you to ride safely. Its compact shape makes it perfect for all naked bikes and for those who like minimal accessories. Affordable and simple to install, this Nano taillight will certainly enhance the look of your ride !



LED taillight

The Hawkeye taillight is a micro high power LED that also features a license plate light. This taillight may be small however the ultra-bright LED makes it extremely visible during day or night. Universal fitment designed to fit any application.



part

HB034000

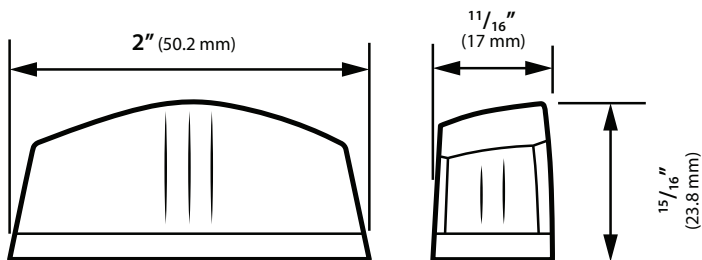
red lens

HB034010

smoke lens

Specifications

- Dual function
- 1 ultra-bright LED light
- License plate light
- Red or smoke lens



Solar

part

HB035020

red lens

HB035010

smoke lens

Specifications

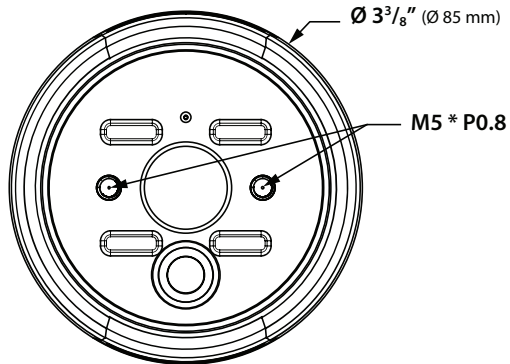
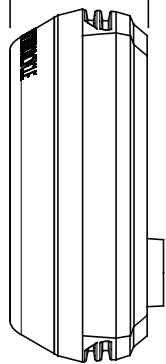
- Red or smoke lens
- DOT & SAE approved

LED taillight

The Koso Solar LED taillight is a great way to modernize the look of your bike. Keeping with the classic circular shell, this taillight is powered by ultra-bright LED's that enable you to be more visible on the road. DOT and SAE approved, this taillight is sure to enhance the look of your bike all while keeping you safer at the same time.



1 7/16" (37 mm)



LED license plate light

This new LED licence plate light will give your the compact and easy to install license plate light features and bring a stylish twist to your typical license plate light. Its specifications, quality components and Ultra-bright LED light are the reasons behind its DOT compliance. This item is a must to customize your motorcycle at a low cost.

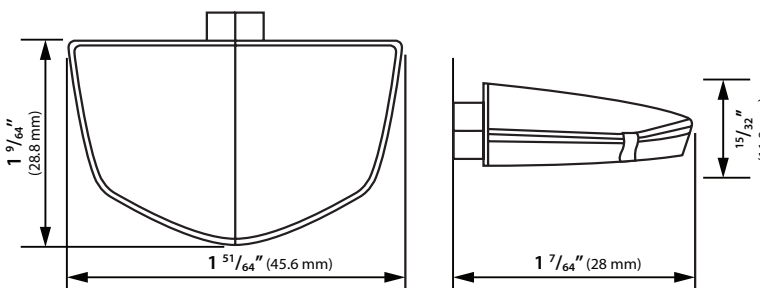


part

HD009000

Specifications

- Range: DC 10 ~ 18 V
- Max voltage: DC 24 V < 60 sec
- DOT compliant



Blade

part

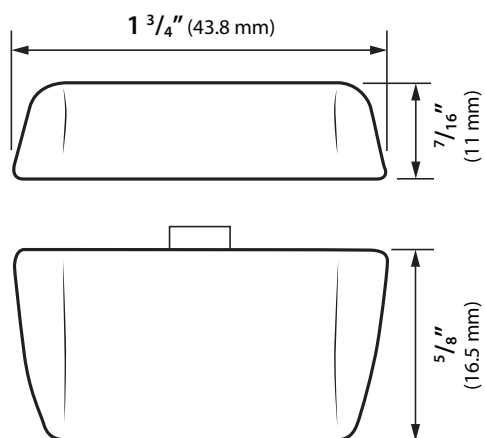
HD008000

Specifications

- Range: DC 10 ~ 18 V
- Max voltage: DC 24 V < 60 sec
- DOT compliant

LED license plate light

Our constant desire to add new products to our accessory line has pushed us to develop a small, compact and easy to install license plate light. Its specifications, quality components and Ultra-bright LED light are the reasons behind its DOT compliance. This item is a must to customize your motorcycle at a low cost.ok.



new

Electro

LED indicator lights

The Koso Electro sequential LED indicator is a great addition to any bike regardless of the make or style. The sequential indicator powered by five high powered LED's provides modern style as well as blinding brightness to keep you safe on the road regardless of whether its day or night.



part

HE037021

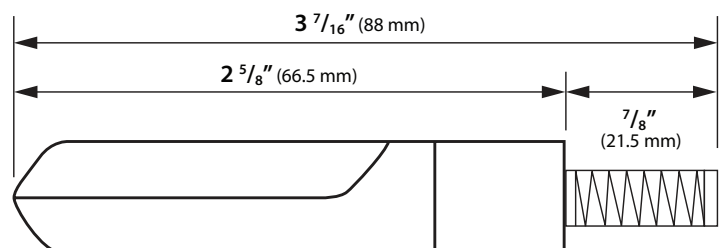
Amber

HE037011

Smoke

Specifications

- 5 high power ultra-bright LED lights
- Aluminium shell
- Available in clear or amber lens
- Soft stem design
- M8 threading
- Sold as pair



Knight

part

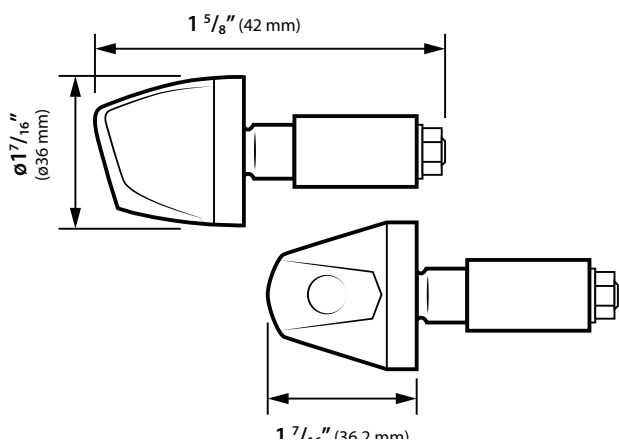
HE033013

Specifications

- 1 hi-power LED light
- Amber LED
- Smoke Lens
- Soft stem design
- M8 thread
- Sold per set of 2

LED bar ends & indicator lights

Our Knight end bar marker lights use a high power LED light that will allow you to be more visible to other drivers. When connected to a flasher relay, this aftermarket light could be used in addition to your existing turn signal. The high quality material and modern design of this product will help provide a unique presence on the road.



new

Nano

Nano LED series

Big things come in small packages. The Koso Nano LED series does not disappoint. These pea sized LED indicators are available as turn signals, brake light or a dual function brake light + turn signal combo. Small on size but big on brightness, the Nano(series, collection) features high power LED's that are sure to be seen by all vehicles on the road day or night.



part

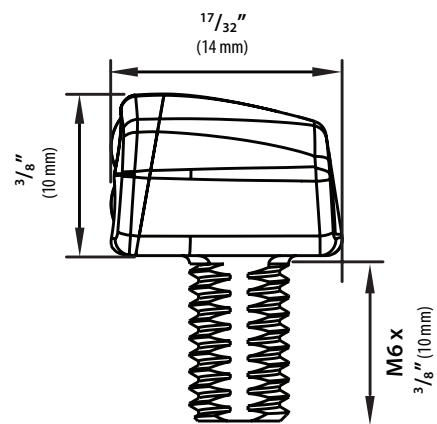
HE041001
indicator (pair)

HE041101
dual (pair)

HE041200
brake light (single)

Specifications

- Thread size M6
- Amber turn signal
- Micro size for a clean install
- High power LED



Nuovo

new

part

HE032010

smoke lens

HE032020

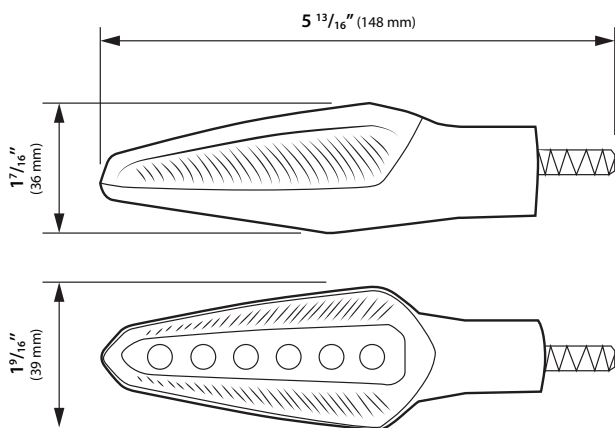
amber lens

Specifications

- 6 ultra-bright LED lights
- Amber LED's
- Amber or smoke Lens
- Soft stem design
- M8 thread
- Sold per set of 2
- DOT, SAE & E-mark approved

LED indicator lights

The Koso Nuovo LED indicator lights are a great way to modernize the look of your bike without straying away from the OEM appearance. Sold in a pair of two, DOT and SAE certified. These indicators feature 6 ultra-bright LED's per indicator to keep you safer and more visible when changing lanes.



new

GW-02

LED indicator lights

The Koso new GW-02 sequential LED indicator gives any bike a style statement. The sequential indicator powered by five high powered LED's provides modern style as well as blinding brightness to keep you safe on the road regardless of whether its day or night.

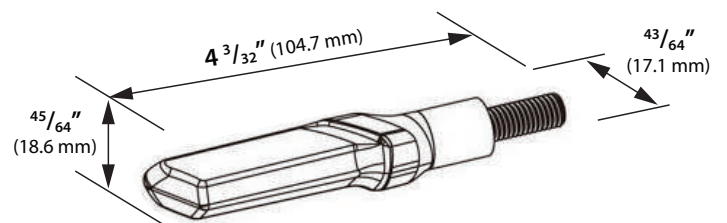
part

HE044000

Smoke

Specifications

- Dynamic (sequential) indicator
- 5 high power ultra-bright LED lights
- Aluminium shell
- Smoke lens
- Soft stem design
- M8 threading
- Sold as pair



Unlimited

part

HE015K14

matte black

HE015S12

silver

HE015M12

chrome

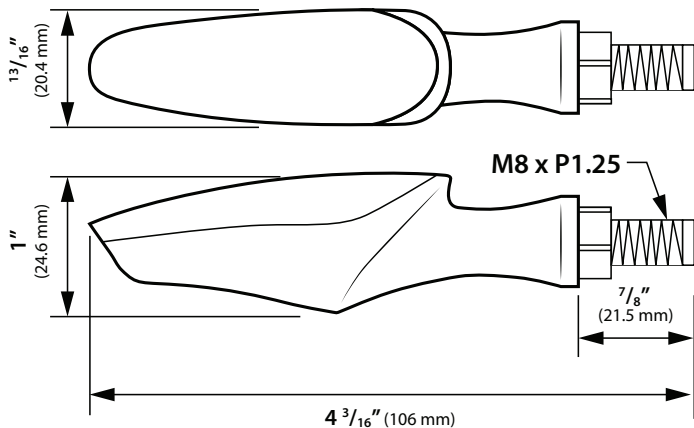
LED indicator lights

Koso Unlimited LED indicator lights use 5 ultra-bright amber LED lights to increase visibility. Sold in pair and available in matte black, silver or chrome, they are perfect to customize your motorcycle at low cost. A simple change, for a better look !



Specifications

- 5 ultra-bright LED lights
- Amber LED
- Clear lens
- Soft stem design
- M8 thread
- Sold per set of 2



Infinity

Dual LED indicator lights

Koso Infinity LED indicator lights are available in 2 models. The DUAL function is a brake light & indicator light. It is used for the rear end; the other is a SINGLE indicator light function for the front end. They are built with 2 ultra-bright LED, one is RED as the brake light and the other is AMBER as the indicator light. Having a hi-power LED brake light into the indicator light will increase the visibility of the motorcycle and make it easier to see for other drivers. The Infinity dual hi-power LED are not only a matter of look... but also a matter of safety.



part

HE030011

smoke lens / single function

HB030011

smoke lens / dual function

HE030001

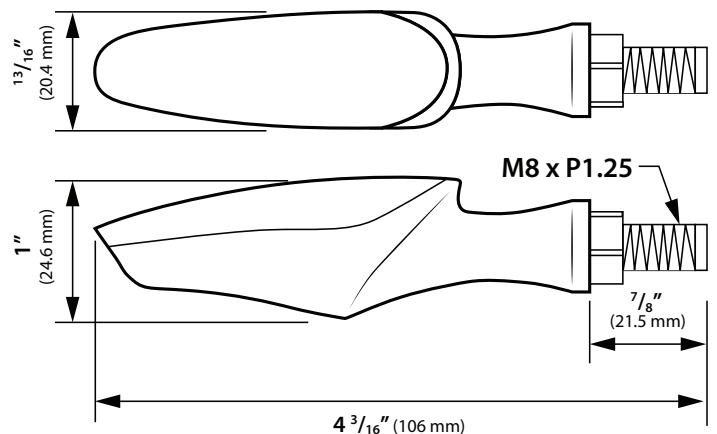
clear lens / single function

HB030001

clear lens / dual function

Specifications

- 2 hi-power ultra-bright LED lights
- Amber and red LED
- Clear or smoke Lens
- Dual and single function
- Soft stem design
- M8 thread
- Sold per set of 2



Jet

part

HE101K30

matte black / smoke lens

HE101K20

matte black / clear lens

HE101S10

silver clear lens

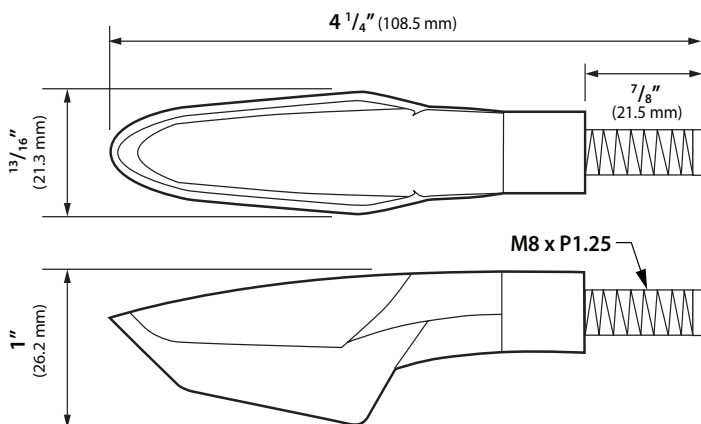
LED indicator lights

Koso Jet LED indicator lights use the new High-power LED technology. In fact, it is so bright that it uses only 1 light for an ultra-bright luminosity. Sold in pair and available in matte black or silver, they are perfect to change the look of motorcycle without any hassle. A simple change for a better look !



Specifications

- 1 hi-power ultra-bright LED light
- Amber LED
- Clear or smoke lens
- Soft stem design
- M8 thread
- Sold per set of 2



Mars

LED indicator lights

Koso Mars LED indicator lights use the new High-power LED technology. In fact, it is so bright that it uses only 1 light for an ultra-bright luminosity. Sold in pair and available in matte black or silver, they are perfect to change the look of motorcycle without any hassle. A simple change for a better look !



part

HE103K11

matte black / smoke lens

HE103K01

matte black / clear lens

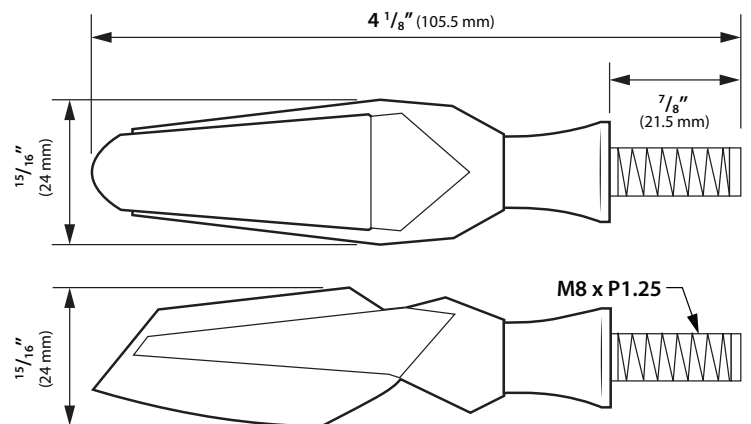
HE103S01

silver clear lens



Specifications

- 1 hi-power ultra-bright LED light
- Amber LED
- Clear or smoke lens
- Soft stem design
- M8 thread
- Sold per set of 2



Stinger

part

HE100010

smoke lens

HE100000

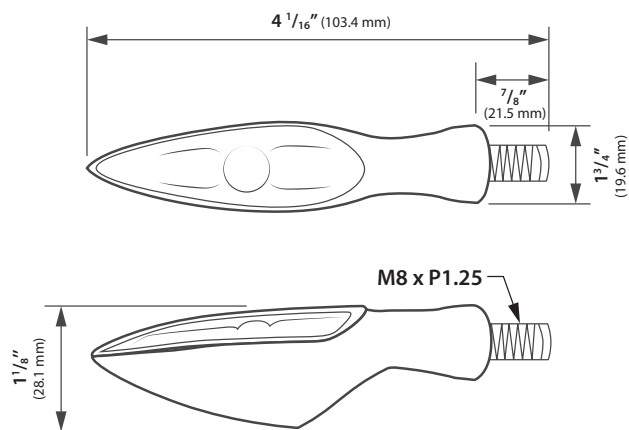
clear lens

Specifications

- 1 hi-power ultra-bright LED light
- Amber LED
- Clear or smoke Lens
- Soft stem design
- M8 thread
- Sold per set of 2

LED indicator lights

Looking to customize your motorcycle at a low cost? Our Stinger LED indicators will definitely do the job ! They are available in matte black with a choice of smoke or clear lens, and they feature a Hi-power amber LED to increase visibility. Their modern style will be the perfect complementary item to enhance the look of your ride !



A close-up photograph of a motorcycle's handlebar area. The focus is on the right side, showing a black plastic mirror mounted on a black bracket. Below the mirror is the right handlebar grip, which is black with a textured surface. A turn signal indicator is mounted on the handlebar, and its lens is illuminated with a bright orange light. A silver metal lever, likely the clutch or brake, is visible on the left side of the handlebar. The background is slightly blurred, showing wooden pallets and a grey wall.

Mirrors

TT-Style

part

OA016CS0 ^(1.)
Carbon look shell / Clear lens

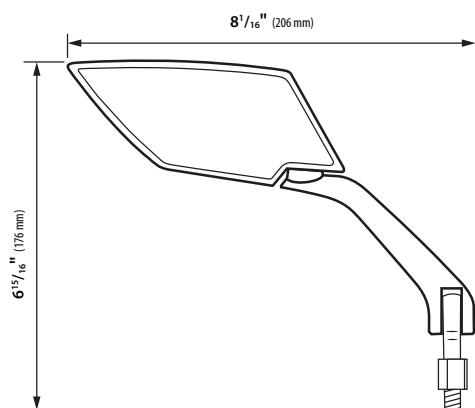
OA016CK2 ^(2.)
Carbon look shell / Clear lens

OA016CS6 ^(3.)
Carbon look shell / Blue lens

OA016CK6 ^(4.)
Carbon look shell / Blue lens

Mirrors

Our TT Style universal mirrors will change the style of your bike for good. Available in M10 size with carbon look or matte black shell.



Specifications

- Carbon look shell
- Clear lens
- Silver stem

1.



Specifications

- Carbon look shell
- Blue lens
- Silver stem

3.



Specifications

- Carbon look shell
- Clear lens
- Black stem

2.



Specifications

- Carbon look shell
- Blue lens
- Black stem

4.



Sprint

new

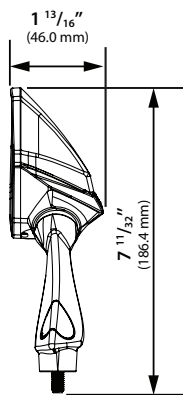
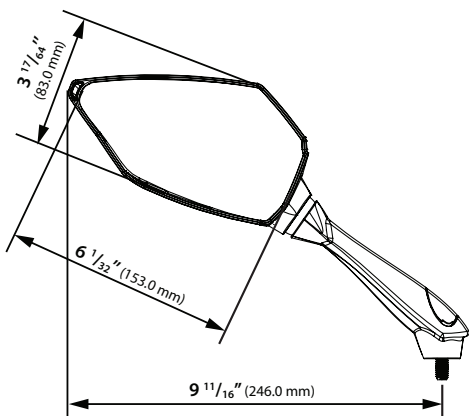
part

SA000003

Black shell / Clear lens

Mirrors

Large display replacement mirrors that add style to your ride. Our New Sprint Style mirrors will give a unique look to your motorcycle! These mirrors fit M8 and M10 size with black matte stem and shell.



new

Apex

Mirrors

The new Apex mirrors combine look and functionality. You want something different? These mirrors will give a unique look to your motorcycle! Available in M10 size with black matte or carbon look shell.

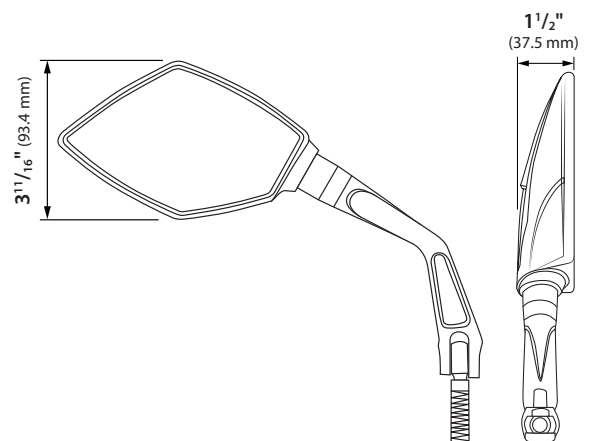
part

SB000010

Matte black shell / Clear lens

SB000101

Carbon look shell / Clear lens



Devils Style

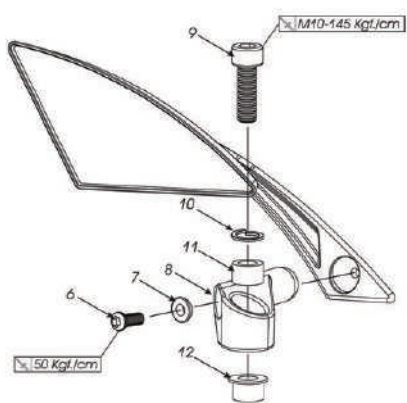
part

OA018CK1

Carbon look shell / Clear lens

Mirrors

Get a modern look to your bike with our Devils Style universal mirrors. Available in M10 size with carbon look shell.



Blade

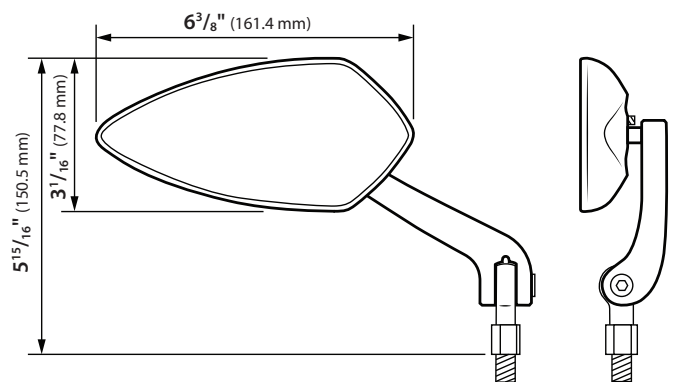
part

OA015C10

Carbon look shell / Clear lens

Mirrors

Looking for affordable and durable mirrors? Our Blade Style mirrors will customize your motorcycle and give it a special look at low cost ! Available in M10 with carbon fiber look shell and black matte shell.



GT Style

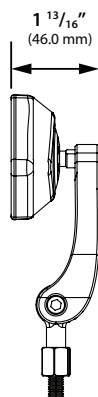
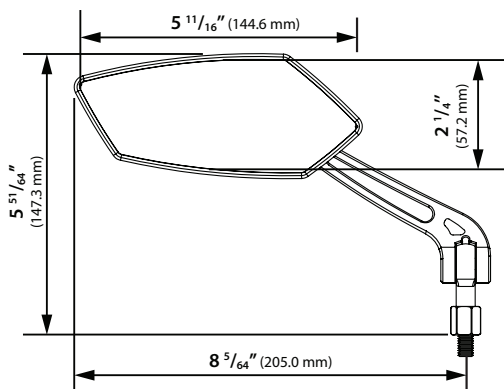
part

OA013K10

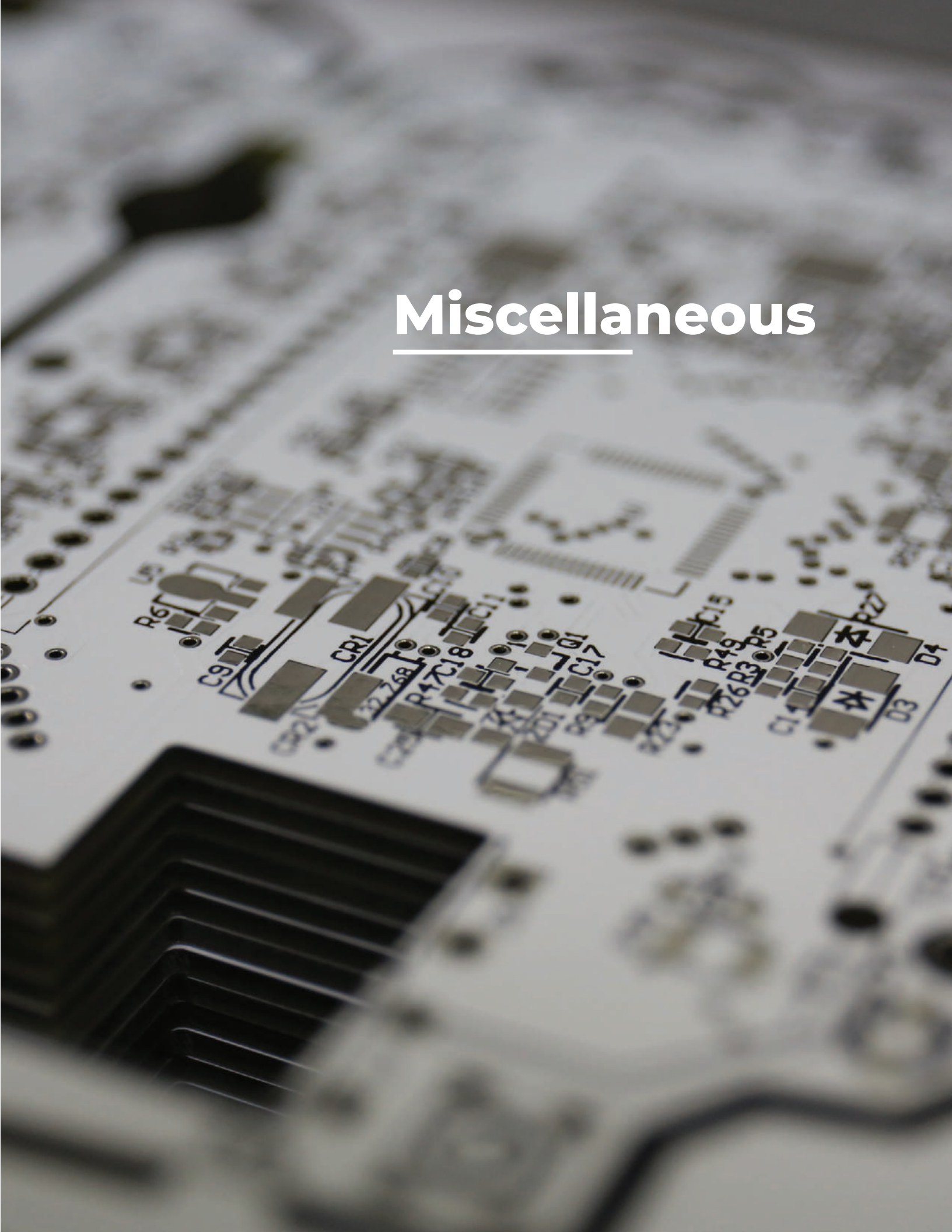
Black shell / Clear lens

Mirrors

Want something different? Our GT Style mirrors will give a unique look to your motorcycle! Available in M10 size with black matte stem and shell.



Miscellaneous



X1

part

QR000000

regular size smartphone

QR004000

larger size smartphone

new



Smartphone bracket

Koso X1 smartphone bracket is the most well thought-out and easy to use accessory on the market. It has a mechanical style and is designed to adjust multiple ways, such as; length, height, depth and width, which makes this bracket suitable for any smartphone even those with thick cases.

Easy adjustable screws, located on the back, lock the desired positioning securely into place. Most importantly, the top clamp is designed to allow you to insert and remove your smartphone easily by simply pulling it upwards.

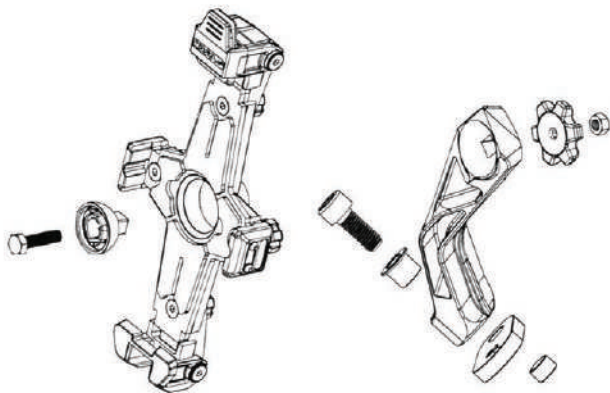
* Fits from 7/8" to 1 1/4" Handlebar.



(R = Range U= Unit)

Specifications

- Six-way adjustable
- Quick release & lock function design
- Allowing user to find best position by free adjustable & rotating in 360°
- Thread size : M8 or M10
- **Regular size smartphone bracket:**
Min size : length 4¹⁵/₁₆" (126 mm) x 2¹/₄" (57 mm) wide x 5⁵/₁₆" (7 mm)
- **Max size :** length 6¹¹/₁₆" (170 mm) x 3¹/₈" (80 mm) wide x 9⁹/₁₆" (14 mm)
- **Large size smartphone bracket:**
Min size : length 5¹/₂" (140 mm) x 3¹³/₁₆" (72 mm) wide x 5⁵/₁₆" (7 mm)
- **Max size :** length 7⁵/₁₆" (186 mm) x 3¹/₂" (91 mm) wide x 5⁵/₈" (16 mm)



new

USB-C port

part

KW005001

USB-C adaptor

Our USB-C adaptor is the newest addition to our line of USB adaptors. Whether it's a GPS, smartphone, tablet or any other small electronic device that uses this newer technology, our adaptor will draw just enough energy from your ride's power source to complete the task.

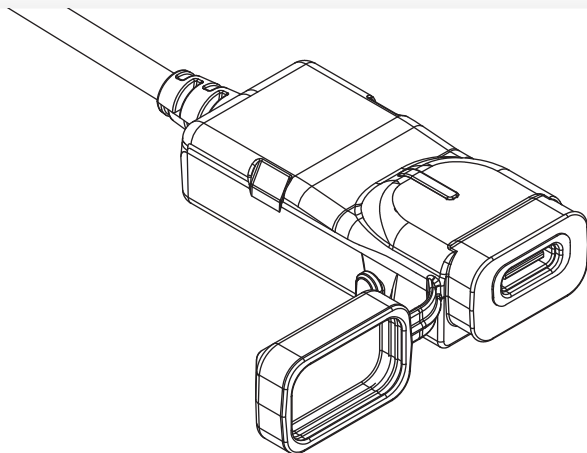
This USB-C adaptor is designed to quickly and efficiently charge your device and can be installed at any location on your ride with its included bracket.



(R = Range U= Unit)

Specifications

- **Output specifications support**
USB-C type only
DC 5V/3A 9V/2A 12V/1.5A
- **Effective temperature range**
14 ~ 140 °F (-10 ~ 60 °C)
- **Single port**
- **Short-circuit protection**
- **Indicator light**
on when charging / flashing < 11.5V
- **Over-heat protection**



USB-port

new

part

K0012000

Quick charge dual USB adaptor

Our quick charge dual USB adaptor provides you with the possibility of charging your precious devices quickly. Whether it's a GPS, smartphone, tablet or any other small electrical device, our dual USB adaptor is designed to be installed at any location on you ride since the charging device and the USB output are two separate item.



(R = Range U= Unit)

Specifications

- Output specifications support 3.0 power-charging DC 5V/3A 9V/2A 12V/1.5A
- Effective temperature range 14 ~ 140 °F (-10 ~ 60 °C)
- Dual port
- Short-circuit protection
- Can charge up to 2 iPads simultaneously
- Over-heat protection



USB-port

part

K0009000

Universal single USB adaptor

Keep your devices charged and ready to go at all times with the Koso USB charger. The simple yet durable design of this USB charger allows it to be mounted virtually anywhere you please.



(R = Range U= Unit)

Specifications

- 2 Amps
- Single port
- Can charge any USB device
- 12V DC powersource
- Short-circuit protection
- Over-heat protection



USB-port

part

K0008000

Dual USB adaptor for Harley-Davidson®

Our dual USB adaptor exclusively made for Harley-Davidson® models provides you with the possibility of charging your precious devices while riding. Whether it's a GPS, smartphone, tablet or any other small electronical device, our dual USB adaptor provides you with the worry free feeling of knowing your devices will always be charged no matter where the road takes you !



(R = Range U= Unit)

Specifications

- 2 Amps
- Dual port
- Can charge up to 2 iPads simultaneously
- Direct fit for HD
- Short-circuit protection
- Over-heat protection



USB-port

part

K0008110

Universal dual USB adaptor

Technology and the devices we use in today's world follow us everywhere we go. Our dual USB adaptor now provides you with the possibility of charging those precious devices while riding. Whether it's a GPS, cellphone or any other small electronical device, our dual USB adaptor provides you with the worry free feeling of knowing your devices will always be charged no matter where the road takes you !



(R = Range U= Unit)

Specifications

- 2 Amps
- Dual port
- Can charge up to 2 IPads simultaneously
- Universal fit
- Short-circuit protection
- Over-heat protection



Transmission sensor

part

BF620000 (1.)

Transmission speed sensor for Harley-Davidson®

Built to replace your old OEM transmission sensor, our speed sensor is made from durable material and will function perfectly on your Harley-Davidson®.



Speed signal converter C

part

BF580001 (2.)

BF580011 (3.)

JST waterproof connector



Speed signal converter D

part

BF580000 (4.)

BF580010 (5.)

JST waterproof connector



GPS

part

KK000001 (6.)

complete kit

GPS signal converter kit

Some applications require different alternatives from the conventional speed sensor that is installed on the wheel. Whether it is a question of appearance (for those who do not want wires to be visible), or a question of functionality, this GPS speed signal converter offers more installation options, such as; cars, boats, snowmobiles, and many others !

Its 66 satellite antenna will capture the GPS signal, and the converter will transfer it into a pulse signal that will communicate with the speedometer. A simple, yet versatile accessory that is the future of GPS speed signal converters !



This Adjustable RPM Signal Filter helps to stabilize bouncy RPM reading on your meter.

Specifications

- Adjustable
R: 0 to 100 k Ω



Adjustable RPM signal filter

part

BO035000 (1.)

This RPM Signal Filter helps to stabilize bouncy RPM reading on your meter.

2.



RPM signal filter

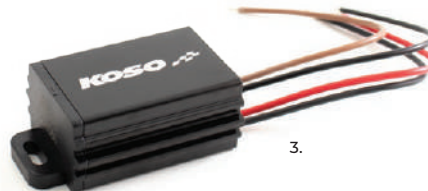
part

BG004000 (2.)

new

Specifications

- Input voltage
R: AC/DC 12 ~ 30 V
- Output voltage
R: 15 ~ 30 V
- Maximum load
6 W (0.5 A)



AC/DC converter

part

BL000010 (3.)

Once you install LED indicators, the resistance is very small compare to the original flashers. The flashers may or may not flash normally. Avoid this problem by using our simple flasher relay.

Specifications

- One relay for all 4 LED indicator lights



LED flasher relay

part

KD006030 (4.)

Temperature sensor

Specifications

- Temperature R: 32 ~ 482 °F (0 ~ 250 °C)
- Resistance 10 k Ω



BF030125

P 1/8 (BSP) x28

BF100100

M10 x P 1.0

BF100125

M10 x P 1.25

BF120125

M12 x P 1.5

BF140125

M14 x P 1.25

BF140150

M14 x P 1.5

BF160150

M16 x P 1.5

BF180150

M18 x P 1.5

Temperature sensor

Specifications

- Temperature R: 32 ~ 482 °F (0 ~ 250 °C)
- Resistance 50 k Ω
- JST waterproof connector



BF030000

P 1/8 (BSP) x28

BF100000

M10 x P 1.0

BF100001

M10 x P 1.25

BF120000

M12 x P 1.5

BF140000

M14 x P 1.25

BF140001

M14 x P 1.5

BF160000

M16 x P 1.5

BF180000

M18 x P 1.5

Specifications

- Wideband
- Bosch LSU 4.2 (square port)
- Bosch LSU 4.9 (oval port)



Bosh O2 Sensor

part

28-BOSCH (1.)
LSU 4.2

28-LSU49 (2.)
LSU 4.9

Specifications

- M18 x P1.5



O2 Sensor adaptor

part

BG001813 (3.+4.+5.)
3pcs kit

BG001800 (3.)
Sensor Bung

BG001801 (4.)
Sensor Bung cap

XT001BG812 (5.)
Aluminum washer

Specifications

- for 2 stroke engine



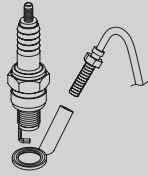
2 stroke adaptor O2 Sensor

part

BG001855 (6.+7.)
2pcs kit

XT001BG812 (7.)
Aluminum washer

Cylinder head temperature sensor



Specifications

- Temperature
R: 32 ~ 482 °F (0 ~ 250 °C)
- * JST waterproof connector

K1001R11

10 mm



K1001R15

14 mm

Specifications

- Temperature
R: 32 ~ 482 °F (0 ~ 250 °C)

K1001R10

10 mm



K1001R14

14 mm

Specifications

- Temperature
R: 32 ~ 482 °F (0 ~ 250 °C)

K1000R10

10 mm



K1000R14

14 mm

Water hose adaptor

Specifications

- * Sensor not included



BG014B01

14mm

BG030B01

30mm

BG016B01

16mm

BG032B01

32mm

BG018B01

18mm

BG034B01

34mm

BG022B01

22mm

BG036B01

36mm

BG026B01

26mm

BG038B01

38mm

BG028B01

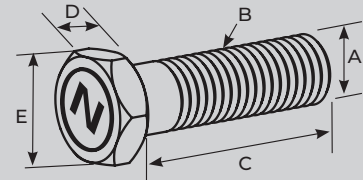
28mm

To replace an existing bolt to pickup rotation signal for your speed.



Hexagone magnet screw

	A	B	C	D	E
BF010500	5/16"	P18 lpi	0.716"	3.85 mm	12 mm
BF010510	M5	P0.8 mm	8.8 mm	4.00 mm	12 mm
BF010630	M6	P1.0 mm	7.6 mm	5.00 mm	12 mm
BF010610	M6	P1.0 mm	19.7 mm	3.85 mm	12 mm
BF010600	M6	P1.0 mm	24 mm	3.85 mm	12 mm
BF010820	M8	P1.25 mm	18.6 mm	3.9 mm	12 mm
BF010830	M8	P1.25 mm	23.6 mm	3.9 mm	12 mm
BF010800	M8	P1.25 mm	29 mm	3.9 mm	12 mm



Specifications

■ Sensor not included

BG241215

M12 x P1.5 x 15 L

BG241412

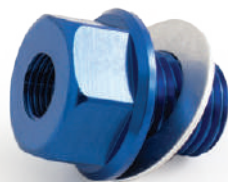
M14 x P1.25 x 15 L

BG281415

M14 x P1.5 x 15 L

BG301615

M16 x P1.5 x 15 L



Oil drain plug adaptor

BG301815

M18 x P1.5 x 15 L

BG302010

M20 x P1.0 x 15 L

BG302015

M20 x P1.5 x 15 L

Active speed sensor

Specifications (1.)

- Requires any metal surface for pulse
- Standard connector

BF640006

± 78" (2,000 mm)



Specifications (2.)

- Requires any metal surface for pulse
- JST waterproof connector

BF640J06

± 78" (2,000 mm)



Passive speed sensor

Specifications (3.)

- Requires a magnet for pulse
- Standard connector

BF019002

± 53" (1,350 mm)

BF019005

± 68" (1,750 mm)

BF019006

± 78" (2,000 mm)

BF019275

± 108" (2,750 mm)



Specifications (4.)

- Requires a magnet for pulse
- JST waterproof connector

BF019J02

± 53" (1,350 mm)

BF019J06

± 78" (2,000 mm)



These hard cables are designed specifically to connect your Koso EX-02 meter to your ride.

Specifications

- fits the Koso EX-02 Enduro meter
- * for replacement purpose, a cable is included in the EX-02 kit



Speed sensor for EX-02 Enduro

part

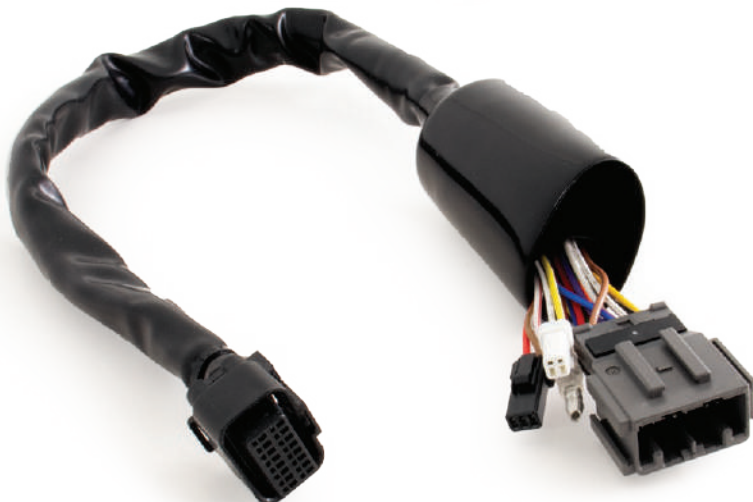
BF200000 (1.)
Japanese applications

BF200020 (2.)
KTM application

Koso has develop two connectors to make your life easier when installing your RX-3 on a Honda GROM® or on a Honda MONKEY® . We have a plug and play harness dedicated for each specific application.

Specifications

- 2 models



new

RX-3 Plug & play harness

part

BZ001000 (3.)
for Honda Grom®

BZ001001 (4.)
for Honda Monkey®



End cap

part

AM102B000K (1.)

These end caps are designed to fit on all of our Koso heated grips.



Long end cap

part

AM106B000K (2.)

new

These end caps fit deeper into the handlebar offering a more secure cap. Will fit with any Koso heated grips * Sold individually.



Heated grip glue

part

AM000000 (3.)

This glue is designed to subtain cold weather and offer a firm & secure fitment for your grips.



Direct replacement for your Koso heated grip controller.

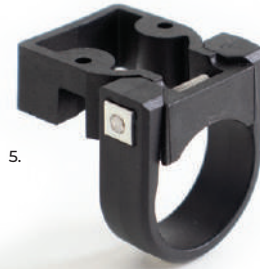


Heated grip controller

part

AF003K00 (4.)

This is a replacement bracket for your Koso 5 level heated grip controller.

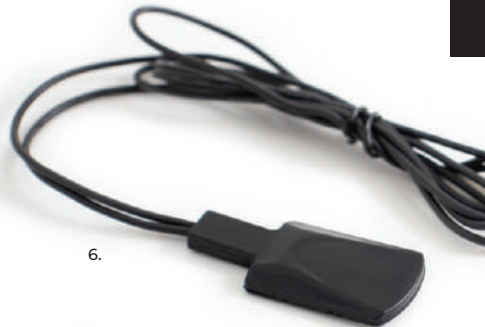


Controller Bracket

part

XS003AF004 (5.)

Your thumb deserve the same treatment as your hands.



Heated thumb kit

part

AM00001B (6.)