



# Enduro Parts



**KOSO**   
NORTH AMERICA

---

# Koso's philosophy

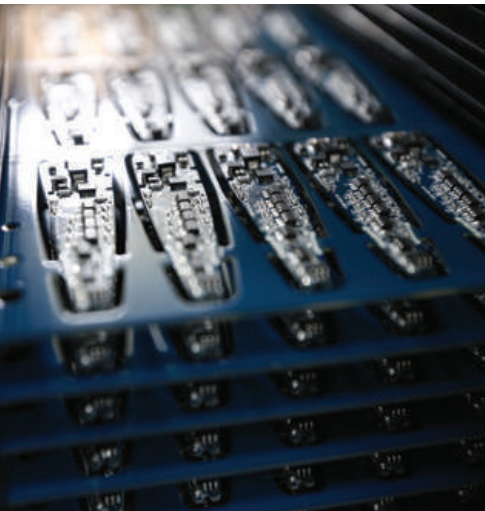
---

Koso, a synonym for quality and performance. With more than 35 years of experience designing and manufacturing high quality products, Koso has become well known across the powersports and OEM industries for its good reputation for reliability, innovation and capability. Whether we are manufacturing a product under private label, OEM or aftermarket products quality always remains our top priority. Innovation and creating new technologies are the keys to Koso's philosophy and drives us to continue pushing the limit further.

For several years now, Koso has had the opportunity to work with an outstanding team of engineers. Along with our state of the art testing equipment and production facilities, Koso has remained a leader in analog and digital technology. Koso produces a wide range of quality gauges/meters, heated equipment, LED indicators taillights and headlights as well as mirrors and engine parts. Koso is proud to offer a complete line of quality products for serious riders.

---

**KOSO**   
NORTHAMERICA



# DB-01R+

part

**BA027002**

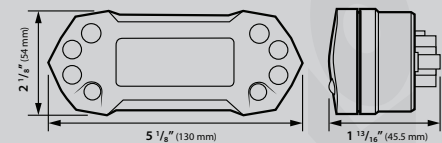
## Multifunction meter

Our DB-01R+ multifunction meter is an upgraded version of our popular DB-01R multifunction meter. Perfect for motorcycles, street fighters or dual-sports motorcycles, this meter features a large LCD display which uses a 3 different color changeable backlight to makes it easier to read during day or night riding. Get every information you need on this unique and lightweight meter that will enhance your motorcycle.



## Specifications (R = Range U= Unit)

- **Speedometer**  
R: 0 ~ 225 MPH (0 ~ 360 km/h)  
U: 1 MPH or km/h (alternative)
- **Odometer**  
R: 0 ~ 99,999 miles (km) | U: 1 mile (km)
- **Tripmeter A/B**  
R: 0 ~ 999.9 miles (km) | U: 0.1 mile (km)
- **Tire circumference**  
R: 300 ~ 2,500 mm | U: 1 mm  
Sensitive point: 1 ~ 20
- **Graph bar tachometer**  
R: 10,000 / 12,000 / 15,000 RPM  
U: 500 RPM
- **RPM input pulse**  
R: 0.5, 1, 1.5, 2, 2.5, 3, 4, 5, 6
- **Fuel meter**  
R: 10 levels | U: 1 level = 16.6 %
- **Fuel resistance**  
R: 100 Ω / 250 Ω / 510 Ω / 510 Ω / 1,200 Ω
- **Low fuel warning**  
R: 0.1 ~ 16.6% (flashing) | R: 0 (light on)
- **Stroke / piston setting**  
2 stroke: 1, 2, 3, 4 pistons  
4 stroke: 1, 2, 3, 4, 5, 6, 8, 10, 12 pistons
- **Indicator lights**  
Neutral / High beam / Turn signals /  
Check engine / Oil level / Low fuel
- **Effective temperature range**  
14 ~ 140 °F (-10 ~ 60 °C)
- **Effective voltage** DC 12 V
- **Sensor included**  
Passive speed sensor : BF019J06



# DB-01RN

part

**BA041000**

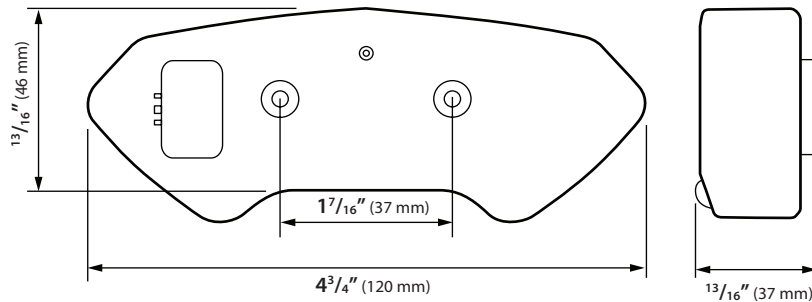
## Multifunction meter

The DB-01RN multifunction meter is a true complete meter. Designed to look great on any type of bike, its large display and easy to use functions make this meter very simple to use while at the same time providing you with a unique stand out look that all riders look for.



## Specifications (R = Range U= Unit)

- **Speedometer**  
R: 0 ~ 225 MPH (0 ~ 360 km/h)  
Will blink when exceed range  
U: 1 MPH or km/h (alternative)
- **Internal odometer**  
R: 0 ~ 99,999 miles (km) | U: 1 mile (km)  
Not user adjustable
- **External odometer**  
R: 0 ~ 99,999 miles (km) | U: 1 mile (km)
- **Tripmeter A/B**  
R: 0 ~ 999.9 miles (km) | U: 0.1 mile (km)
- **Oil maintenance mileage**  
U: 1 mile (km) | R 300 ~ 5,000 miles  
(500 ~ 8,000 km) Up to -999 miles  
(-999km) when exceeds 0.
- **Speeding warning light**  
R: 20 ~ 110 MPH (30 ~ 180 km/h)  
U: 5 MPH (km/h)
- **Top speed record**  
R: 0 ~ 225 MPH (0 ~ 360 km/h)  
U: 1 MPH(km)
- **Average speed record**  
R: 0 ~ 225 MPH (0 ~ 360 km/h)
- **Tire circumference**  
R: 300 ~ 2,500 mm | U: 1 mm  
Sensitive point: 1 ~ 20
- **Tachometer**  
R: 0~15,000 RPM | U: 10 RPM
- **Level tachometer**  
R: 0 ~ 10,000 RPM | U: 333 RPM  
R: 0 ~ 12,000 RPM | U: 400 RPM  
R: 0 ~ 15,000 RPM | U: 500 RPM
- **Maximum RPM record**  
R: 0 ~ 15,000 RPM
- **RPM input signal number**  
R: P-0.5, P-1 ~P-25
- **RPM input pulse**  
R: HI-ACT (positive wave pulse) LO-ACT  
(negative wave pulse)
- **Total hour meter**  
R: 0 ~ 99,999.9 hours | U: 0.1 hour
- **Hour meter A/B**  
R: 0 ~ 9,999.9 hours
- **Staged fuel level**  
R: 10 levels | Flashing light when lower  
then setting value
- **Digital fuel meter** R: 0 ~ 100 %
- **Low fuel warning**  
R: 10 ~ 50% | U: 10%  
Flashing light when lower then setting  
value
- **Fuel resistance**  
R: 100 Ω / 250 Ω / 270 Ω / 510 Ω / 1200 Ω  
/ Switch / User
- **Volt meter**  
R: DC 8 ~ 16 V
- **Clock** R: 12 H or 24 H format  
(alternative)
- **Indicator lights**  
Neutral / High beam / Turn signals  
/ Check engine / Oil level / Water  
temperature / Low fuel
- **Effective temperature range**  
14 ~ 140 °F (-10 ~ 60 °C)
- **Effective voltage**  
DC 12 V



# DB-02

part

**BA022W00**

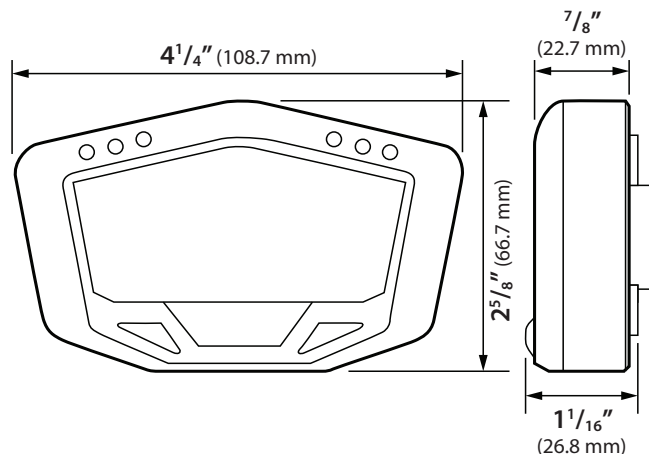
## Multifunction meter (Off-Road version)

This DB-02 multifunction meter was especially made to fit your off-road needs. Its small inner battery makes it usable on all dirt bikes and ATV's that don't have a DC 12 V battery. Its great shape and nice LCD display make it the perfect meter to get for your off-road use. The changeable RPM scale allows this meter to fit on about any engine applications. This instrument also features a 3 stage shift light that allows you to shift your gears perfectly. Beside those great functions, the DB-02 multifunction meter features : speed, odometer, tripmeter, RPM, inner battery level, temperature, hour meter, and more.



## Specifications (R = Range U= Unit)

- **Speedometer**  
R: 0 ~ 225 MPH (0 ~ 360 km/h)  
U: 1 MPH or km/h (alternative)
- **Odometer**  
R: 0 ~ 99,999 miles (km) | U: 1 mile (km)
- **Tripmeter A/B**  
R: 0 ~ 999.9 miles (km) | U: 0.1 mile (km)
- **Speeding warning light**  
R: 20 ~ 225 MPH (30 ~ 360 km/h)
- **Top speed record**  
R: 0 ~ 225 MPH (0 ~ 360 km/h)  
U: 1 MPH(km)
- **Average speed record**  
R: 0 ~ 225 MPH (0 ~ 360 km/h)
- **Tire circumference**  
R: 300 ~ 2,500 mm | U: 1 mm  
Sensitive point: 1 ~ 6
- **Tachometer**  
R: 0~20,000 RPM | U: 10 RPM
- **Level tachometer** 60 levels  
R: 0 ~ 10,000 RPM | U: 166 RPM  
R: 0 ~ 15,000 RPM | U: 250 RPM  
R: 0 ~ 25,000 RPM | U: 333 RPM
- **RPM input signal number**  
R: P-0.5, P-1 ~P-25
- **RPM shift light**  
R: -5,000 ~ -20,000 RPM | U: 100 RPM
- **Pre-shift light A/B**  
R: 500 ~ 5,000 RPM before shift light  
U: 100 RPM
- **Maximum RPM record**  
R: 0 ~ 20,000 RPM
- **RPM input pulse**  
R: 0.5, 1, 1.5, 2, 2.5, 3, 4, 5, 6
- **Hour meter**  
R: 0 ~ 999.9 hours | U: 0.1 hour (6s)
- **Thermometer A/B**  
R: 32 ~ 482 °F (0 ~ 250 °C)  
Unit: 0.1 °F or °C (alternative)
- **Over temperature warning A/B**  
R: 140 ~ 482°F (60 ~ 250°C) | U: 1°F (°C)
- **Top temperature record**  
R: 32 ~ 482 °F (0 ~ 250 °C)
- **Volt meter**  
R: DC 8 ~ 16 V | U: DC 0.1 V
- **Clock** R: 24 H format
- **Indicator lights**  
Speeding / Temperature alarm (A/B) /  
RPM shift light A / RPM shift light B /  
RPM shift light.
- **Effective temperature range**  
14 ~ 140 °F (-10 ~ 60 °C)
- **Effective voltage** DC 12 V
- **Battery type** CR 2032
- **Battery lifetime** ± 220 hours nonstop
- **Sensor included**  
Passive speed sensor: BF019J06  
Temperature sensor: BF030000



# DB-03R

part

**BA038000**

## Multifunction meter

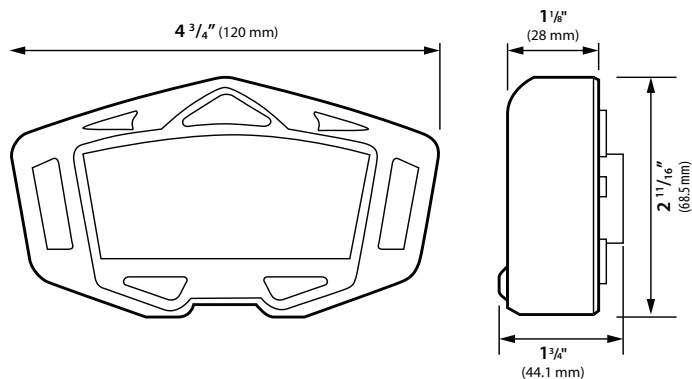
The DB-03R is a multifunction meter with a modern casing that provides necessary critical readings. The DB-03r features all standard indicators needed to operate a vehicle on the street as well as 3 adjustable RPM/TACH scales to choose from in the settings. The DB-03R also features a three color changeable backlight. Other functions include: Speedometer, odometer, trip, temperature, voltage and fuel level.





## Specifications (R = Range U= Unit)

- **Speedometer**  
R: 0 ~ 225 MPH (0 ~ 360 km/h)  
U: MPH or km/h
- **Odometer**  
R: 0 ~ 99,999 miles (km) | U: 1 mile (km)
- **Tripmeter A/B**  
R: 0 ~ 999.9 miles (km) | U: 0.1 mile (km)
- **Total hour meter**  
R: 0 ~ 99,999 H | U: 1 H
- **Hour meter A/B**  
R: 0 ~ 999.9 H | Unit: 0.1 H
- **Tire circumference**  
R: 300 ~ 2,500 mm | U: 1 mm  
Sensitive point: 1 ~ 20
- **Tachometer R:**  
10,000 RPM (1 level = 166 RPM)  
12,000 RPM (1 level = 200 RPM)  
15,000 RPM (1 level = 250 RPM)
- **RPM warning / shift-light**  
R: 1,000 ~ 15,000 RPM | U : 100 RPM
- **Warning**  
Light on (F-OFF) | Flash (F-ON)
- **Maximum RPM record**  
R: 0 ~ 10,000 / 12,000 / 15,000 RPM
- **RPM input signal number setting**  
R: 0.5, 1 ~ 24
- **RPM input pulse**  
R: HI-ACT (positive wave pulse)  
LO-ACT (negative wave pulse)
- **Volt meter**  
R: DC 8 ~ 18 V  
Flashing warning when voltage is lower than DC 11.5 V or higher than DC 15.5 V
- **Thermometer**  
R: 32 ~ 482 °F (0 ~ 250 °C)  
U: 0.1 °F or °C (alternative)
- **Over temperature warning**  
R: 140 ~ 482°F (60 ~ 250°C) | U: 1°F (°C)
- **Top temperature record**  
R: 0 ~ 482°F (250°C)
- **Fuel meter**  
R: 6 levels | U: 1 level = 16.6 %
- **Fuel resistance**  
R: 100 Ω / 250 Ω / 510 Ω / 1,200 Ω / SW
- **Clock R:** 24 H format
- **Backlight brightness**  
R: 1/5 (darkest) ~ 5/5 (brightest)
- **Backlight colors**  
Blue / Orange / Purple
- **Indicator lights**  
Neutral / High beam / Turn signals /  
Check engine Oil level / Temperature /  
Speeding / RPM shift light
- **Gear indicator**  
R: N, 1, 2, 3, 4, 5, 6, 7, 8, 9
- **Effective temperature range**  
14 ~ 140 °F (-10 ~ 60 °C)
- **Effective voltage** DC 12 V
- **Sensor included**  
Passive speed sensor: BF019J06  
Temperature sensor: BF030000



# XR-01

part

**BB026000**

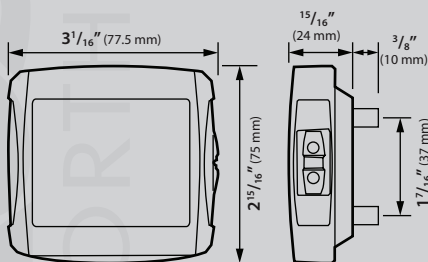
## Speedometer (Off-Road version)

Thinner and lighter than its previous version, the XR-S speedometer, our innovative XR-01 speedometer most importantly features a larger, higher quality and easy to read LCD display. New interesting functions were added such as a 2 hour meter readings, a maintenance hour meter for oil change, 2 tripmeter readings, and a useful clock. This meter is simple, user-friendly, and easy to read during day or night riding. The XR-01 speedometer is a great fit for any kind of motorcycle, scooter, ATV and more !



### Specifications (R = Range U= Unit)

- **Speedometer**  
R: 0 ~ 225 MPH (0 ~ 360 km/h)  
U: 1 MPH or km/h (alternative)
- **Odometer**  
R: 0 ~ 99,999 miles (km) | U: 1 mile (km)
- **Tripmeter A/B**  
R: 0 ~ 9, 999.9 miles (km)  
U: 0.1 mile (km)
- **Oil maintenance mileage**  
R: 300 ~ 5,000 Miles (km) | U: 1 MPH(km)
- **Hour meter** R: 0 ~ 99,999 hours | U: 1 H
- **Hour meter A/B**  
R: 0 ~ 9,999 hours | U: 0.1 H
- **Top speed record**  
R: 0 ~ 225 MPH (0 ~ 360 km/h)
- **Average speed record**  
R: 0 ~ 225 MPH (0 ~ 360 km/h)
- **Tire circumference**  
R: 300 ~ 2,500 mm | U: 1 mm  
Sensitive point: 1 ~ 6
- **Volt meter**  
R: DC 8 ~ 18 V | Flashing light when <DC 11.5 V or >DC 15.5 V
- **Backlight brightness**  
R: 1/5 (darkest) ~ 5/5 (brightest)
- **Fuel level** R: 6 levels
- **Fuel resistance**  
R: 100 Ω / 250 Ω / 510 Ω / USER
- **Clock** R: 24 H format
- **Effective temperature range**  
14 ~ 140 °F (-10 ~ 60 °C)
- **Effective voltage** DC 12 V
- **Sensor type**  
Passive speed sensor : BF019J06



# XR-01S

part

**BB026001**

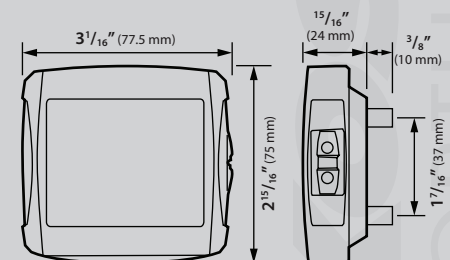
## Speedometer (Street version)

Thinner and lighter than its previous version, the XR-SA speedometer, our innovative XR-01S speedometer most importantly features a larger, higher quality and easy to read LCD display. The indicator light functions are still there. New interesting functions were also added and they include a 2 hour meter readings, a maintenance hour meter for oil change, 2 tripmeter readings, and a useful clock. This meter is user-friendly, easy to read during day or night, and is a great fit for any kind of motorcycle, scooter or other bike.



## Specifications (R = Range U= Unit)

- **Speedometer**  
R: 0 ~ 225 MPH (0 ~ 360 km/h)  
U: 1 MPH or km/h (alternative)
- **Odometer**  
R: 0 ~ 99,999 miles (km) | U: 1 mile (km)
- **Tripmeter A/B**  
R: 0 ~ 9,999.9 miles (km)  
U: 0.1 mile (km)
- **Oil maintenance mileage**  
R: 300 ~ 5,000 Miles (km) | U: 1 MPH(km)
- **Hour meter** R: 0 ~ 99,999 hours | U: 1 H
- **Hour meter A/B**  
R: 0 ~ 9,999 hours | U: 0.1 H
- **Top speed record**  
R: 0 ~ 225 MPH (0 ~ 360 km/h)
- **Average speed record**  
R: 0 ~ 225 MPH (0 ~ 360 km/h)
- **Tire circumference**  
R: 300 ~ 2,500 mm | U: 1 mm  
Sensitive point: 1 ~ 6
- **Volt meter**  
R: DC 8 ~ 18 V | Flashing light when <DC 11.5 V or >DC 15.5 V
- **Backlight brightness**  
R: 1/5 (darkest) ~ 5/5 (brightness)
- **Fuel level** R: 6 levels
- **Fuel resistance**  
R: 100 Ω / 250 Ω / 510 Ω / USER
- **Clock** R: 24-H format
- **Indicator lights**  
Turn signals / Neutral / Warning / High beam / Check engine
- **Effective temperature range**  
14 ~ 140 °F (-10 ~ 60 °C)
- **Effective voltage** DC 12 V
- **Sensor included**  
Passive speed sensor : BF019J06



# EX-02S

part

**BA048001**



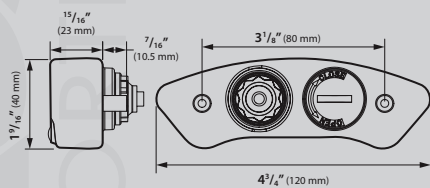
## Speedometer (Street version)

With its modern look, this EX-02S speedometer is the perfect meter for all dual applications. Its illuminated backlight makes this meter very easy to read even when you ride at night. Featuring speed, odometer, tripmeter, hour meter, voltage, clock and stopwatch as well as 6 indicator lights, this meter will give you all information you need.



## Specifications (R = Range U= Unit)

- **Speedometer**  
R: 0 ~ 225 MPH (0 ~ 360 km/h)  
U: 1 MPH or km/h (alternative)
- **Odometer**  
R: 0 ~ 99,999 miles (km) | U: 1 mile (km)
- **Tripmeter A/B**  
R: 0 ~ 9, 999.9 miles (km)  
U: 0.1 mile (km)
- **Oil maintenance mileage**  
R: 300 ~ 5,000 Miles (km) | U: 1 MPH(km)
- **Hour meter** R: 0 ~ 99,999.9 hours  
U: 0.1 H
- **Hour meter A/B**  
R: 0 ~ 9,999.9 hours | U: 0.1 H
- **Volt meter**  
R: DC 8 ~ 18 V | U: DC 0.1 V
- **Stopwatch**  
R: 0 ~ 9'59''99 | U: 0,01 second
- **Top speed record**  
R: 0 ~ 225 MPH (0 ~ 360 km/h)
- **Average speed record**  
R: 0 ~ 225 MPH (0 ~ 360 km/h)
- **Max voltage record** R: DC 8 ~ 18 V
- **Inner Battery level** R: 4 levels
- **Clock** R: 12 or 24 H format
- **Indicator lights**  
Turn signals / Neutral / Warning /  
High beam / Check engine
- **Effective temperature range**  
14 ~ 140 °F (-10 ~ 60 °C)
- **Power**  
LCD: Internal CR 2032 battery  
Backlight: DC 12 V



# EX-02

## Speedometer (Universal version)

With its compact shape and waterproof connectors, the EX-02 speedometer is the perfect meter for all off road applications. The illuminated backlight makes the instrument very easy to read even in the darkest conditions. The EX-02 speedometer is equipped with all the basic functions such as speed, odometer, tripmeter as well as hour meter, voltage, clock and stopwatch.

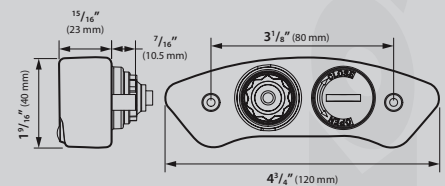


part

**BA048000**

### Specifications (R = Range U= Unit)

- **Speedometer**  
R: 0 ~ 225 MPH (0 ~ 360 km/h)  
U: 1 MPH or km/h (alternative)
- **Odometer**  
R: 0 ~ 99,999 miles (km) | U: 1 mile (km)
- **Tripmeter A/B**  
R: 0 ~ 9, 999.9 miles (km)  
U: 0.1 mile (km)
- **Hour meter** R: 0 ~ 99,999.9 hours  
U: 0.1 H
- **Hour meter A/B**  
R: 0 ~ 9,999.9 hours | U: 0.1 H
- **Volt meter**  
R: DC 8 ~ 18 V | U: DC 0.1 V
- **Stopwatch**  
R: 0 ~ 9'59"99 | U: 0,01 second
- **Top speed record**  
R: 0 ~ 225 MPH (0 ~ 360 km/h)
- **Average speed record**  
R: 0 ~ 225 MPH (0 ~ 360 km/h)
- **Max voltage record** R: DC 8 ~ 18 V
- **Inner Battery level** R: 4 levels
- **Clock** R: 12 or 24 H format
- **Indicator lights**  
Turn signals / Neutral / Warning / High beam / Check engine
- **Effective temperature range**  
14 ~ 140 °F (-10 ~ 60 °C)
- **Power**  
LCD: Internal CR 2032 battery  
Backlight: DC 12 V



# EX-02

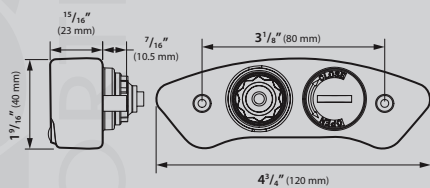
## Speedometer (Universal version)

Developed by Enduro riders and made especially for them, this EX-02 speedometer is the perfect solution for all Enduro applications. Lightweight, compact and using a convenient speed sensor bracket, it can be quickly installed on most dirt bikes. The EX-02 speedometer features all the basic functions such as speed, odometer, tripmeter, hour meter, voltage, stop-watch and clock. This meter also has the illuminated background with adjustable brightness that allows a good visibility of the display whether your ride on a bright sunny day or at night time. The EX-02 speedometer is simply the best choice for your Enduro bike !



### Specifications (R = Range U= Unit)

- **Speedometer**  
R: 0 ~ 225 MPH (0 ~ 360 km/h)  
U: 1 MPH or km/h (alternative)
- **Odometer**  
R: 0 ~ 99,999 miles (km) | U: 1 mile (km)
- **Tripmeter A/B**  
R: 0 ~ 9, 999.9 miles (km)  
U: 0.1 mile (km)
- **Hour meter** R: 0 ~ 99,999.9 hours  
U: 0.1 H
- **Hour meter A/B**  
R: 0 ~ 9,999.9 hours | U: 0.1 H
- **Volt meter**  
R: DC 8 ~ 18 V | U: DC 0,1V
- **Stopwatch**  
R: 0 ~ '959'99 | U: 0,01 second
- **Top speed record**  
R: 0 ~ 225 MPH (0 ~ 360 km/h)
- **Average speed record**  
R: 0 ~ 225 MPH (0 ~ 360 km/h)
- **Max voltage record** R: DC 8 ~ 18 V
- **Inner Battery level** R: 4 levels
- **Clock** R: 12 or 24 H format
- **Indicator lights**  
Turn signals / Neutral / Warning / High beam / Check engine
- **Effective temperature range**  
14 ~ 140 °F (-10 ~ 60 °C)
- **Power**  
LCD: Internal CR 2032 battery  
Backlight: DC 12 V



## Application list

### ■ Honda

#### **BA048HON-1**

CR 125R / 250R	2000-2007
CRF 250X / 250R	2004-2020
CRF 450R / 450X	2002-2020
CR 500 R	2000-2001

---

### ■ Kawasaki

#### **BA048KAW-1**

KX 450	2006-2020
KLX 450	2008-2009
KX 250	2003-2020

---

#### **BA048KAW-2**

KLXR 300	2000-2007
KX 125	2000-2005
KX 250	2000-2003
KX 500	2000-2004

---

### ■ Suzuki

#### **BA048SUZ-1**

RM 125 / 250	2000-2008
RMZ / 250	2004-2017

---

#### **BA048SUZ-2**

RMZ 450	2005-2018
---------	-----------

### ■ Yamaha

#### **BA048YAM-1**

WR 450F	2003-2019
WR 250	2001-2017
YZ 125F / 250F	2008-2020
YZ 450F	2003-2020

---

#### **BA048YAM-2**

WR 400F	2000
WR 426F	2001-2002
YZ 125 / 125F / 250 / 250F	2000-2007
YZ 426F	2000

---

### ■ KTM

#### **BA048KTM-1**

SX / MXC / EXC / XC / XC-W	2000-2017
----------------------------	-----------



# LAP TIMER

part

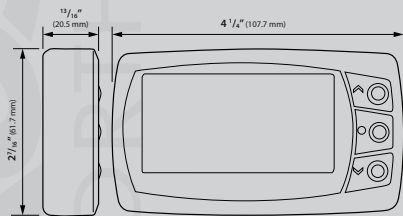
**BA045100**

## GPS lap timer

Following the popular demand, our crew of engineers have developed a high-tech GPS lap timer to accommodate professional and amateur riders. By using the GPS technology, this lap timer will allow you to get a precise and accurate reading without having to install different beacons around the track.

This instrument records up to 200 laps and will display your best run, the time difference between your most recent run and your last, as well as; speed, average speed and many other great functions. Last but not least, this lap timer can also be used as a simple GPS speedometer, due to the speed and odometer functions.

Our GPS lap timer also features a Power-Test function, which allows the user to record time/distance (ex : 1/8 mile, 1/4 mile...) or speed/time (ex : 0 - 60 MPH...) This is the perfect tool, whether you are a drag racer, enduro racer or circuit racer. You can finally race like a professional with this multifunctional tool that can be used under many different conditions such as closed and open circuits. Koso's GPS lap timer is simply a must have for all racers !





## Specifications (R = Range U= Unit)

- **Speedometer**  
R: 0 ~ 225 MPH (0 ~ 360 km/h)  
U: 1 MPH or km/h (alternative)
  - **Odometer**  
R: 0 ~ 99,999 miles (km) | U: 1 mile (km)
  - **Tripmeter A/B**  
R: 0 ~ 9,999.9 miles (km) | U: 0.1 mile (km)
  - **Average speed**  
R: 0 ~ 225 MPH (0 ~ 360 km/h)  
U: 1 MPH or km/h (alternative)
  - **Riding time**  
R: 0 ~ 9,999.9 H | U: 0.1 H
  - **Top speed record**  
R: 0 ~ 225 MPH (0 ~ 360 km/h)  
U: 1 MPH(km)
  - **Geodetic coordinate system** WGS-84
  - **Coordinate display method**  
R: d°m's.s" / d.d° / d°m.m'
  - **Time zone**  
R: UTC - 12 :00 ~ + 14 :00
  - **Calendar**  
R: Automatic time adjustment by GPS signal
  - **Clock** R: 12 H or 24 H format, time set according to time zone selected
  - **Voltage warning**  
R: flashing symbol when < DC 7 V
  - **Display contrast** R: 1 ~ 16 levels
  - **Backlight**  
R: 0 (closed), 1/7 (darkest), 7/7 (brightest)
- ### TIMING MODE
- **Single record time**  
R: 00'00"00 ~ 99'59"99
  - **Number of lap record** R: 1 ~ 200 laps
  - **Time difference VS best time record**  
R: 0 ~ 99"99
  - **Time difference VS last lap**  
R: -99"99 ~ +99"99
  - **Record display method**  
Sequentially / Best
  - **Record display retention time**  
R: 5 ~ 20 seconds
  - **Target speed timer**  
D: 20 ~ 225 MPH (30 ~ 360 km/h)  
R: 5 MPH (km/h)
  - **Target distance timer**  
D: 1/32 ~ 30/32 mile (50 ~ 1,500 m)  
U: 1/32 mile (50 m)
  - **Closed track single lap recording**  
R: 0 ~ 9'59"99
  - **Open track single lap time recording** R: 0 ~ 9'59"99
  - **Create track**  
Closed / Open
  - **Track width**  
R: 5 ~ 50m | U: 1 m
  - **Track length**  
Auto calculate after a full lap
  - **Checkpoint**  
R: 0 ~ 22 points (max.)
  - **Effective temperature range**  
14 ~ 140 °F (-10 ~ 60 °C)
  - **Effective voltage** DC 12 V



| GPS satellite position

| Racing menu

| Track map

| Racing menu

# Super slim style

part  
**BA024B10**  
thermometer/°C version / blue

**BA024R11**  
thermometer/°C version / red

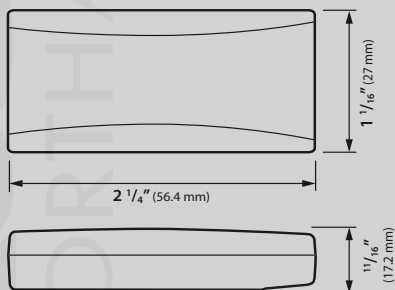
**BA024B11**  
thermometer/°F version / blue

**BA024R10**  
thermometer/°F version / red

**BA024B00**  
volt meter / blue

**BA024R00**  
volt meter / red

**BA024B50**  
clock & volt meter



## Digital super slim style thermometer, volt & clock meters

Our Super Slim Style series is one of our best seller because its small and compact size makes it very easy to install at almost any location on the bike. The blue or red illuminated digits make the meter very attractive and easy to read at night. Different models are available, temperature meter, volt meter and clock/volt meter and they are all equipped with a warning function to help you monitor the information.



### Specifications (R = Range U= Unit)

■ Effective temperature range  
14 ~ 140 °F (-10 ~ 60 °C)

■ Power DC 12 V

## Thermometer

### Specifications

- **Thermometer**  
R: 32 ~ 248 °F (0 ~ 120 °C)  
U: 1 °F or °C (alternative)
- **Temperature warning**  
Flashing light when > 248 °F (120 °C)
- **Sensor type**  
Temp. sensor: BF030125 1/8 (BSP) x 28



## Volt meter

### Specifications

- **Volt meter**  
R: DC 8 ~ 18 V | U: DC 0.1 V
- **Voltage warning**  
Flashing light when < 11.5 V



## Clock & volt meter

### Specifications

- **Clock** R: 24 H format
- **Volt meter**  
R: DC 6 ~ 19.9 V | U: DC 0.1 V
- **Volt warning setting**  
R: DC 8 ~ 18 V | U: DC 0.1 V  
Default values:  
High DC 14 V | Low: DC 11 V



# Super slim touch

new

part

**BA068040**

blue

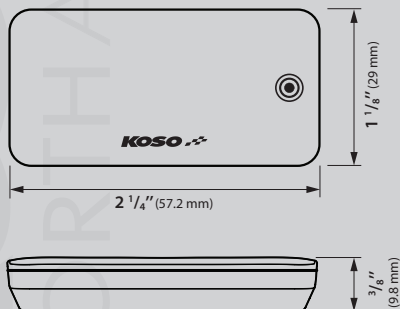
**BA068041**

red



## Digital super slim touch screen, volt & temperature meter

This new small and compact size digital meter with touch screen lets you switch between volt and a temperature reading at the touch of your finger. The blue or red illuminated digits are attractive and easy to read at night.



### Specifications (R = Range U= Unit)

- **Volt meter**  
R : DC 8 ~ 18 V  
Flashing warning light when  
< DC 8 V or > DC 13 V.
- **Temperature**  
R: -4 ~ 248 °F (-20 ~ 120 °C)  
U: 0.1 °F (°C) alternative
- **Max temperature Record**  
R: 32 ~ 248 °F (0 ~ 120 °C)
- **Overheat temperature Warning**  
R: 122 ~ 248 °F (50 ~ 120 °C)
- **Effective temperature**  
R: 14 ~ 140 °F (-10 ~ 60 °C)

## Mini tachometer meter

Our Mini meter uses an LCD screen powered by an inner CR 2032 changeable battery that allows installation on any vehicle. Small, compact and user-friendly; they are easy to install on many applications.



### Specifications (R = Range U= Unit)

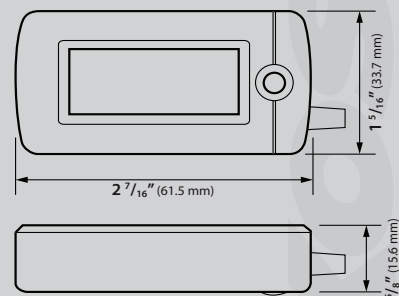
#### Tachometer

- RPM R: 0 ~ 15,000 RPM | U:10 RPM
- RPM input pulse:  
R:0.5, 1, 1.5, 2, 2.5, 3, 4, 5, 6

- Effective temperature range  
14 ~ 140 °F (-10 ~ 60 °C)
- Power LCD: CR 2032
- Battery lifetime ± 1,000 H

## Mini

part  
**BA003040**  
tachometer



# Mini 3

part  
**BA003200**  
oil pressure meter

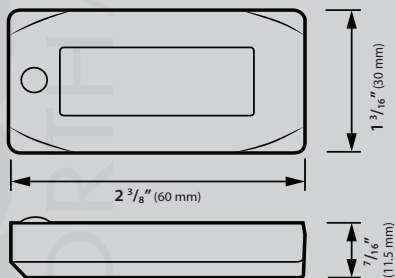
**BA003211**  
air/fuel ratio meter

**BA003270**  
ambient air temp.

**BA003190**  
AMP & volt meter

**BA003160**  
clock & volt meter

**BA003170**  
dual temperature meter



## Mini 3 oil pressure, air/fuel ratio, ambient air temperature meters

The Mini 3 series has been developed with the best components and latest technology. Compact, lightweight and easy to connect, the Mini 3 meters are a must have.



### Specifications (R = Range U= Unit)

- Effective temperature range  
14 ~ 140 °F (-10 ~ 60 °C)
- Power DC 12V

## Oil pressure meter

The Mini 3 oil pressure meter is a must for all applications. Its reading can help you avoid major mechanical problems. If the pressure goes down, that can indicate a leak in the system or a malfunction of the engine. Also, if you ride your bike at a high RPM range, the pressure meter can help you understand if the oil lubricates the engine properly.

### Specifications

- Oil pressure meter  
R: 0 ~ 100 PSI (0 ~ 7 kgf/cm<sup>2</sup>)  
U: 0.1 PSI (kgf/cm<sup>2</sup>)
- Oil pressure warning  
Flashing light when  $\leq$  setting value



## Air/fuel ratio meter

Our Mini 3 air/fuel ratio meter was especially designed to help you tune your carbureted or fuel injected engine. This meter can be easily installed on any type of 4 stroke engine by installing the sensor in the exhaust system and connecting the instrument to a DC 12 V source of power.

### Specifications

- Air/fuel ratio meter  
R: 12.2 ~ 17.2 | U: 0.1
- Sensor type  
Race type O<sub>2</sub> sensor: BG000S01
- \*Compatible with 4 stroke engines only



## Ambient air temp.

The Mini 3 ambient air temperature is the perfect addition for any application. Very simple to install and affordable, this is the perfect tool to monitor the outside temperature and help you dress properly.

### Specifications

- Thermometer  
R: -22 ~ 248 °F (-30 ~ 120 °C)  
U: 0.1 °F or °C (alternative)



# Mini 3

## AMP & volt meter

This Mini 3 AMP & volt meter will give you the vehicle voltage and amps used. This meter can be very helpful especially when there is many electrical accessories connected to the vehicle.

### Specifications

- **AMP meter**  
R: 0 ~ 30 A | U: 0.1 A
- **Volt meter**  
R: DC 6 ~ 19.9 V | U: DC 0.1 V
- **Low voltage warning**  
R: DC 8 ~ 13 V | U: DC 0.1 V
- **Voltage warning**  
Flashing light when < 11.5 V or > 15.5 V



## Clock & volt meter

This compact and lightweight Mini 3 clock & volt meter features a clock and also the vehicle voltage. This meter can be very helpful especially when there is many electrical accessories connected to the vehicle

### Specifications

- **Clock** R: 24 H format
- **Volt meter**  
R: DC 6 ~ 19.9 V | U: DC 0.1 V
- **Low voltage warning**  
R: DC 8 ~ 13 V | U: DC 0.1 V
- **Voltage warning**  
Flashing light when < 11.5 V or > 15.5 V



## Dual temperature meter

This compact and lightweight Mini 3 dual temperature meter features two temperatures output. This meter can give you precious information such as coolant and oil temperature. temperature and help you dress properly.

### Specifications

- **Thermometer A/B**  
R: 32 ~ 248 °F (0 ~ 120 °C)  
U: 0.1 °F or °C (alternative)
- **Temperature warning**  
Flashing light when > 248 °F (120 °C)
- **Sensor type**  
Temperature sensor: BF030125 1/8(BSP) x 28





# Mini 4

## Hour meter

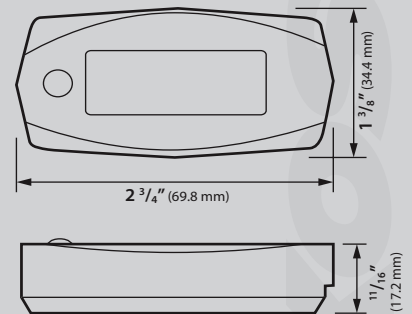
Our hour meter will allow you to track the motor running time and schedule your next engine maintenance. User-friendly and quick to install, this compact hour meter is a must to all serious riders.



### Specifications (R = Range U= Unit)

- **Total hour meter**  
R: 0 ~ 99,999 H | U: 0.1 H
- **Hour meter A/B (resettable)**  
R: 0 ~ 999,9 H | U: 0.1 H
- **Effective temperature range**  
14 ~ 140 °F (-10 ~ 60 °C)
- **Effective voltage DC 12 V**
- **Power CR 2032**
- **Battery lifetime ± 350 H**
- **Sensor included Temp.: 1/8 (BSP) x 28**

part  
**BA033000**



part

## **BA067B10**

thermometer/ °C version / blue

## **BA067R10**

thermometer/°C version / red

## **BA067B12**

thermometer/°F version / blue

## **BA067R12**

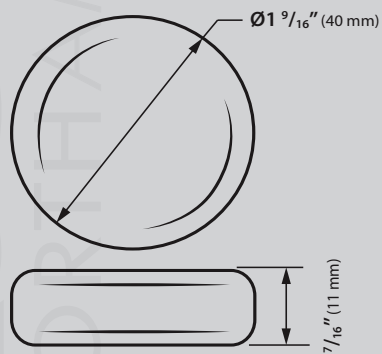
thermometer/°F version / red

## **BA067B00**

volt meter / blue

## **BA067R00**

volt meter / red



## Round style thermometer, volt & clock meters

The small and compact size of the I-Gear meters make it very easy to install at almost any location on the bike. The blue or red illuminated digits make these meters very attractive and easy to read at night. Different models are available : temperature meters, and volt meter. They are equipped with a warning function to help you monitor the information.



## Thermometer

### Specifications

- **Thermometer**  
R: 32 ~ 248 °F (0 ~ 120 °C)  
U: 1 °F or °C (alternative)
- **Temperature warning**  
Flashing light when > 248 °F (120 °C)
- **Effective temperature range**  
14 ~ 140 °F (-10 ~ 60 °C)
- **Power** DC 12 V
- **Sensor type**  
Temp. sensor: BF030125 1/8 (BSP) x 28



## Volt meter

### Specifications

- **Volt meter**  
R: DC 8 ~ 18 V | U: DC 0.1 V
- **Voltage warning**  
Flashing light when < 11.5 V
- **Effective temperature range**  
14 ~ 140 °F (-10 ~ 60 °C)



# Proton

part

**BA074200**

thermometer

**BA074000**

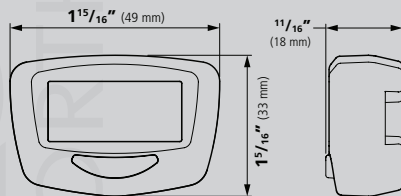
RPM & hour meter

**BA074300**

volt meter

## Specifications

- Internal battery type  
CR 2032
- Battery lifetime (continuously)  
± 350 H
- Battery self consumed lifetime  
± 5 years
- Effective temperature range  
14 ~ 140 °F (-10 ~ 60 °C)



## Meters

Designed to function on virtually any motorsport vehicle as it operates with a CR2032 replaceable battery. This light weight compact gauge features a large LCD display for easy reading and a removable face plate with all necessary hardware providing a simple and clean install.



## Thermometer

The Proton water temperature meter will provide you with a precise reading of your engines coolant temperature. Supplied with a 1/8 BSP sensor, this meter will provide you with accurate temperature readings and help avoid overheating.

### Specifications

- **Temperature**  
R: 32 ~ 248 °F (0 ~ 120 °C)  
U: 0.1 °F (°C) alternative
- **Max temperature Record**  
R: 32 ~ 248 °F (0 ~ 120 °C)



## RPM & hour meter

The Proton RPM & hour meter will allow you to visualise the revolutions of your motor while the hour meter will keep track of the amount of time your engine has ran.

### Specifications

- **Digital tachometer**  
R: 0 ~ 20, 000 RPM  
U: 100 RPM
- **Max RPM Record**  
R: 0 ~ 20, 000 RPM
- **RPM input pulse**  
R: 0.5 / 1 / 1.5 / 2
- **Total engine hour meter**  
R: 0 ~ 999.9 / 1,000 ~ 99,999 H
- **Hour meter A/B**  
R: 0 ~ 999.9 H | U: 0.1 H



## Volt meter

The Proton volt meter will allow you to visualise the vital signs of your motor vehicles battery saving you from potential troubles.

### Specifications

- **Volt meter**  
R: DC 1 ~ 70 V | U: DC 0.1 V
- **Max volt Record**  
DC 1 ~ 70 V



## Proton thermometer with temperature adaptor

### BA074200-14

14 mm adaptor

### BA074200-18

18 mm adaptor

### BA074200-26

26 mm adaptor

### BA074200-16

16 mm adaptor

### BA074200-22

22 mm adaptor



# Apollo

part

**AM111010**

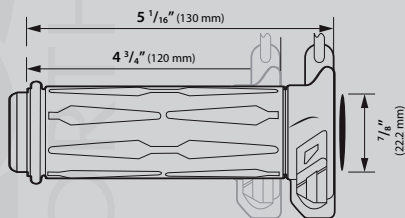
120 mm

**AM111030**

130 mm

## Specifications

- Integrated temperature level thumb switch
- Universal fitment (120mm or 130mm)
- 5 temperature levels to choose from indicated by multi-color LED
- Low battery cut off protection
- Internal memory that allows grips to power on at previous heat level
- Fits L:7/8" - R:1" handlebar for twist throttle applications



## Heated grips universal fit

The Apollo heated grips are a prime example of koso's ability to innovate. Finished are the days of cluttering your handlebars with control boxes and switches. The Apollo heated grips feature koso's exclusive integrated thumb switch which provides you with the ability to power on and off the grips as well as rotate between the 5 levels of temperature.



## Snowmobile / dirt bike heated grips

Designed specifically for dirt & snow bikes. The aggressive lock on diamond pattern grip made of high quality materials will be sure to keep your hands glued to the grips all while keeping them warm and comfortable at the same time.



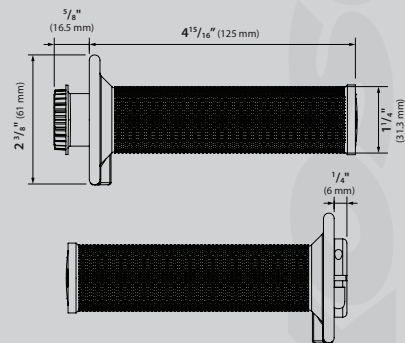
# MX-1

part

## AX1070G0

### Specifications

- Power: require DC 14 V, 35 W of power/pair and draws 2.5 A/pair at maximum level
- Includes 2 clamp-on grips
- External controller for temperature adjustment
- Low battery cut off protection
- Internal memory that allows grips to power on at previous heat level
- Removable end caps



# Multi Adjustment

part

## AM10700F

Fits L: 7/8" – R: 1" handlebar

## AM10720F

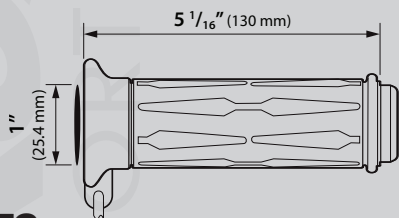
Fits L: 1" – R: 1 1/8" handlebar

### Specifications

- Multi adjustment controller allows you to adjust the temperature to desired comfort level
- "Short circuit protection" and "low battery cut off protection"
- Rubber material that is resistant to outdoor conditions and high temperatures
- Internal memory that allows the grips to stay at last warmth level
- Thin and flexible silicone wires make them easy to install

### Heated grips (for twist throttle)

Available in an assortment of sizes, twist or thumb throttle. These Multi Adjustment heated grips will keep your hands warm even in the harshest cold weather conditions. The external controller featuring a simple dial and an LED lite background allows you to simply choose your level of temperature even at night time. The Multi Adjustment heated grips also feature a "low voltage cut off protection", this system will automatically detect the voltage of your machine and automatically shut off the heated grips if the voltage happens to fall under 12V.

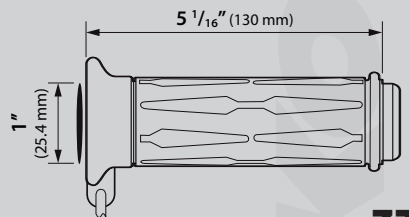




## Heated grips (for twist throttle)

Also available in an assortment of sizes for motorcycles as well as ATV's and snowmobiles, these 5 level heated grips feature an external controller with 5 levels of heat to choose from. The controller features simply one button to rotate through temperature levels and 5 LED lights to indicate which level of temperature is in use.

The 5 level heated grips also feature a "low voltage cut off protection", this system will automatically detect the voltage of your machine and automatically shut off the heated grips if the voltage happens to fall under 12V.



# 5 Level

part

## AM10703G

Fits L: 7/8" – R: 1" handlebar

## AM10706G

Fits L: 1" – R: 1 1/8" handlebar

### Specifications

- 5 level temperature controller allows you to adjust the temperature to desired comfort level
- "Short circuit protection" and "low battery cut off protection"
- Rubber material that is resistant to outdoor conditions and high temperatures
- Internal memory that allows the grips to stay at last warmth level
- Thin and flexible silicone wires make them easy to install

# X-Claws

new

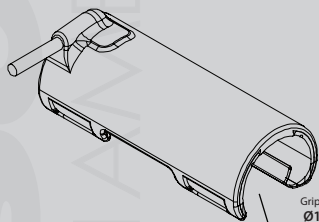
part

## AX120000

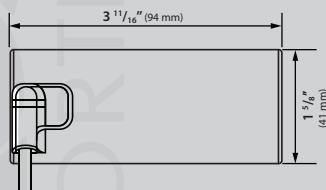
Universal fit

### Specifications

- Easy plug and play USB power source (5V)
- Single heating level requires 10W minimum
- Universal fit to be clipped on any handlebar sizes
- Rubber material that is resistant to outdoor conditions and high temperatures
- Thin and flexible silicone wires make them easy to install



Grip diameter between  
 $\varnothing 1 \frac{7}{32}'' - 1 \frac{11}{32}''$   
(31-35 mm)



## Heated Clip-On (for USB power source)

These new heated devices are for the user that does not want to commit to changing their grips but still wants to maintain the comfort of heated grips. The fitment is intended to fit all sorts of handlebar sizes. They can be installed and removed in a matter of seconds and kept in any sports bag when not in use. The power source is a simple connection to your USB port (5V).



# X-Claws

new

## Heated Clip-On with Lo Hi switch (for 12V power source)

These new heated devices are for the user that does not want to commit to changing their grips but still want to maintain the comfort of heated grips. The fitment is intended to fit all sorts of handlebar sizes. They can be installed and removed in a matter of seconds and kept in any sport bag when not in use. The power source requires a 12V connection. There is 5 levels of heat offered to suit your preference.



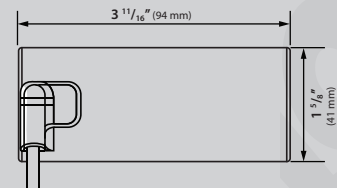
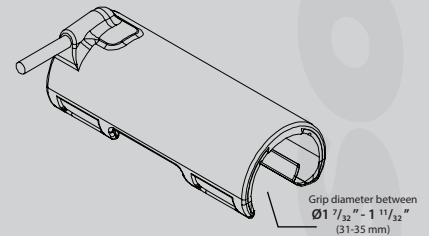
part

## AX1200M0

Universal fit

### Specifications

- 12V power source requires 10W minimum
- lo and hi level inline switch
- Universal fit to be clipped on any handlebar sizes
- Rubber material that is resistant to outdoor conditions and high temperatures
- Thin and flexible silicone wires make them easy to install



# Aurora

part

**HG008001**

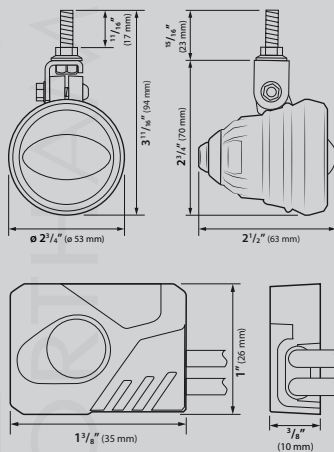
## Specifications

### LED fog lights

- Brightness: 420 lumens each
- Angle of pitch  
+90° / +45° / 0° / -45° / -90°
- Temp range:  
14 ~ 140 °F (-10 ~ 60 °C)
- Effective voltage: DC 10 ~ 16 V
- Temp range:  
14 ~ 140 °F (-10 ~ 60 °C)

### Controller

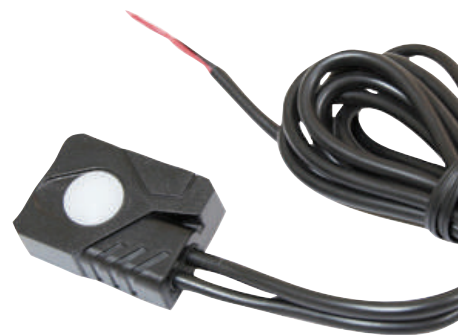
- Power: DC 12 V / 7 W



## LED fog lights

When it comes to riding motorcycle, security should definitely be a priority. This is why the use of fog lights is a must for seeing and being seen under bad weather conditions. Lightweight, easy to install and adjustable, our Koso quality Aurora fog lights will complement your ride.

\* DOT & ECE compliant.



## LED taillight

Our Nano brake light is probably one of the smallest, brightest and lightest taillight on the market. Its ultra-bright LED is made to increase the rear visibility and allow you to ride safely. Its compact shape makes it perfect for all naked bikes and for those who like minimal accessories. Affordable and simple to install, this Nano taillight will certainly enhance the look of your ride !



# Nano

part

**HB026000**

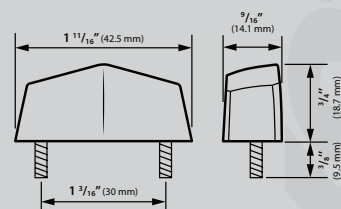
red lens

**HB026010**

smoke lens

## Specifications

- 1 ultra-bright LED light
- Red or smoke lens



# Hawkeye

part

**HB034000**

red lens

**HB034010**

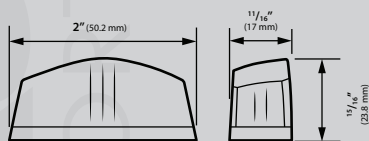
smoke lens

## Specifications

- Dual function
- 1 ultra-bright LED light
- License plate light
- Red or smoke lens

## LED taillight

The Hawkeye taillight is a micro high power LED that also features a license plate light. This taillight may be small however the ultra-bright LED makes it extremely visible during day or night. Universal fitment designed to fit any application.



## LED taillight

Set your motorcycle apart using the Koso Infinity taillight. Available with red or smoke lens, its 6 ultra-bright LED lights will increase your visibility. This taillight also has a license plate light which makes it better. Affordable and easy to install, this is a must to customize your motorcycle or scooter.



# Infinity

part

**HB025020**

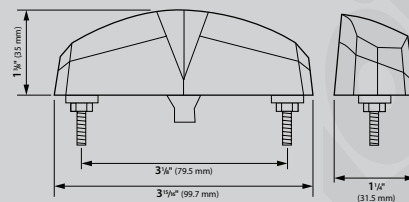
red lens

**HB025010**

smoke lens

## Specifications

- 6 ultra-bright LED lights
- License plate light
- Red or smoke lens



# GT-01

part

**HB031000**

red lens

**HB031100**

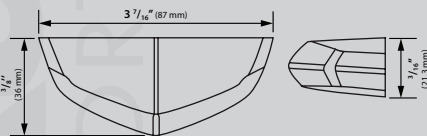
smoke lens

## Specifications

- Red or smoke lens
- Halo style daytime running light
- 3 ultra-bright LED lights  
brake lights

## LED taillight

The latest LED technology in the form of a taillight. Whether you are looking to bring your bikes lighting up to date or looking to set your ride apart you can rest assure Koso's Halo taillight will provide. Featuring the latest and greatest Ultra bright LED technology you can rest assure other motorists will spot you on the road all while providing a great modernized look.





## LED indicator lights

Looking to customize your motorcycle at a low cost? Our Stinger LED indicators will definitely do the job! They are available in matte black with a choice of smoke or clear lens, and they feature a Hi-power amber LED to increase visibility. Their modern style will be the perfect complementary item to enhance the look of your ride!



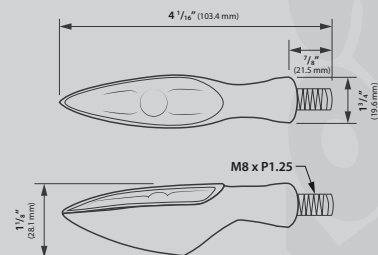
# Stinger

part  
**HE100010**  
smoke lens

**HE100000**  
clear lens

## Specifications

- 1 hi-power ultra-bright LED light
- Amber LED
- Clear or smoke Lens
- Soft stem design
- M8 thread
- Sold per set of 2



# Nuovo

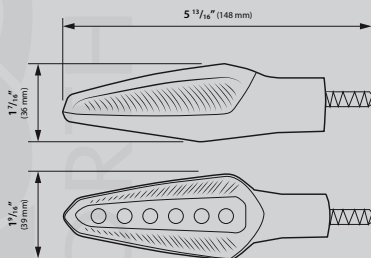
new

part  
**HE032010**  
smoke lens

**HE032020**  
amber lens

## Specifications

- 6 ultra-bright LED lights
- Amber LED's
- Amber or smoke Lens
- Soft stem design
- M8 thread
- Sold per set of 2
- DOT, SAE & E-mark approved



## LED indicator lights

The Koso Nuovo LED indicator lights are a great way to modernize the look of your bike without straying away from the OEM appearance. Sold in a pair of two, DOT and SAE certified. These indicators feature 6 ultra-bright LED's per indicator to keep you safer and more visible when changing lanes.



## Dual LED indicator lights

Koso Infinity LED indicator lights are available in 2 models. The DUAL function is a brake light & indicator light. It is used for the rear end; the other is a SINGLE indicator light function for the front end. They are built with 2 ultra-bright LED, one is RED as the brake light and the other is AMBER as the indicator light. Having a hi-power LED brake light into the indicator light will increase the visibility of the motorcycle and make it easier to see for other drivers. The Infinity dual hi-power LED are not only a matter of look... but also a matter of safety.



# Infinity

part  
**HE030011**

smoke lens / single function

**HB030011**

smoke lens / dual function

**HE030001**

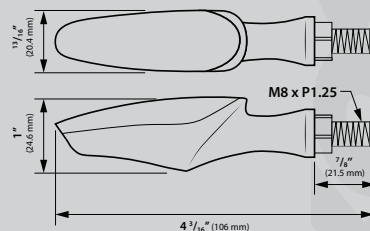
smoke lens / single function

**HB030001**

smoke lens / dual function

## Specifications

- 2 hi-power ultra-bright LED lights
- Amber and red LED
- Clear or smoke Lens
- Dual and single function
- Soft stem design
- M8 thread
- Sold per set of 2



# Unlimited

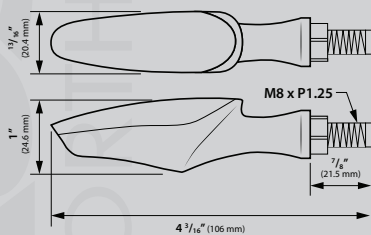
part  
**HE015K14**  
matte black

**HE015S12**  
silver

**HE015M12**  
chrome

## Specifications

- 5 ultra-bright LED lights
- Amber LED
- Clear lens
- Soft stem design
- M8 thread
- Sold per set of 2



## LED indicator lights

Koso Unlimited LED indicator lights use 5 ultra-bright amber LED lights to increase visibility. Sold in pair and available in matte black, silver or chrome, they are perfect to customize your motorcycle at low cost. A simple change, for a better look !



## LED indicator lights

Koso Mars LED indicator lights use the new High-power LED technology. In fact, it is so bright that it uses only 1 light for an ultra-bright luminosity. Sold in pair and available in matte black or silver, they are perfect to change the look of motorcycle without any hassle. A simple change for a better look !



# Mars

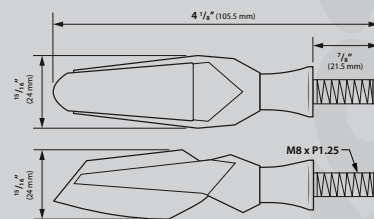
part  
**HE103K11**  
matte black / smoke lens

**HE103K01**  
matte black / clear lens

**HE103S01**  
silver clear lens

## Specifications

- 1 hi-power ultra-bright LED light
- Amber LED
- Clear or smoke lens
- Soft stem design
- M8 thread
- Sold per set of 2



# Jet

part

## HE101K30

matte black / smoke lens

## HE101K20

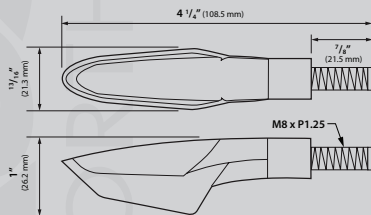
matte black / clear lens

## HE101S10

silver clear lens

### Specifications

- 1 hi-power ultra-bright LED light
- Amber LED
- Clear or smoke lens
- Soft stem design
- M8 thread
- Sold per set of 2



## LED indicator lights

Koso Jet LED indicator lights use the new High-power LED technology. In fact, it is so bright that it uses only 1 light for an ultra-bright luminosity. Sold in pair and available in matte black or silver, they are perfect to change the look of motorcycle without any hassle. A simple change for a better look !



# Electro

## LED indicator lights

The Koso Electro sequential LED indicator is a great addition to any bike regardless of the make or style. The sequential indicator powered by five high powered LED's provides modern style as well as blinding brightness to keep you safe on the road regardless of whether its day or night.



part

**HE037021**

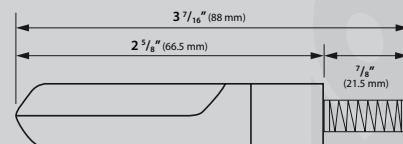
Amber

**HE037011**

Smoke

### Specifications

- 5 high power ultra-bright LED lights
- Aluminium shell
- Available in clear or amber lens
- Soft stem design
- M8 threading
- Sold as pair



# GW-02

new

part

## HE044000

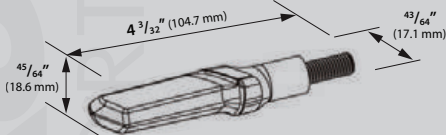
Smoke

### Specifications

- Dynamic (sequential) indicator
- 5 high power ultra-bright LED lights
- Aluminium shell
- Smoke lens
- Soft stem design
- M8 threading
- Sold as pair

## LED indicator lights

The Koso new GW-02 sequential LED indicator gives any bike a style statement. The sequential indicator powered by five high powered LED's provides modern style as well as blinding brightness to keep you safe on the road regardless of whether its day or night.





## LED license plate light

this new LED license plate light will give you the compact and easy to install license plate light features and bring a stylish twist to your typical license plate light. Its specifications, quality components, and Ultra-bright LED light are the reasons behind its DOT compliance. This item is a must to customize your motorcycle at a low cost.

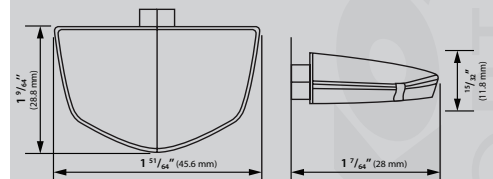


part

**HD009000**

### Specifications

- Range: DC 10 ~ 18 V
- Max voltage: DC 24 V < 60 sec
- DOT compliant



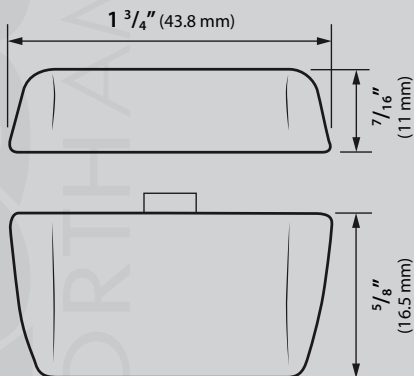
# Blade

part

**HD008000**

## Specifications

- Range: DC 10 ~ 18 V
- Max voltage: DC 24 V < 60 sec
- DOT compliant



## LED license plate light

Our constant desire to add new products to our accessory line has pushed us to develop a small, compact and easy to install license plate light. Its specifications, quality components and Ultra-bright LED light are the reasons behind its DOT compliance. This item is a must to customize your motorcycle at a low cost.



# USB-port

part

**K0008110**

## Universal dual USB adaptor

Technology and the devices we use in today's world follow us everywhere we go. Our dual USB adaptor now provides you with the possibility of charging those precious devices while riding. Whether it's a GPS, cellphone or any other small electronical device, our dual USB adaptor provides you with the worry free feeling of knowing your devices will always be charged no matter where the road takes you !



## Specifications

- 2 Amps  
R: 0 ~ 9,000 RPM | U: ± 100 RPM
- Dual port
- Can charge up to 2 IPads simultaneously
- Direct fit
- Short-circuit protection
- Over-heat protection

# USB-port

new

part

**K0012000**



## Quick charge dual USB adaptor

Our quick charge dual USB adaptor provides you with the possibility of charging your precious devices quickly. Whether it's a GPS, smartphone, tablet or any other small electrical device, our dual USB adaptor is designed to be installed at any location on your ride since the charging device and the USB output are two separate items.



### Specifications

- Output specifications support 3.0 power-charging  
DC 5V/3A 9V/2A 12V/1.5A
- Dual port
- Can charge up to 2 iPads simultaneously
- Effective temperature range  
14 ~ 140 °F (-10 ~ 60 °C)
- Short-circuit protection
- Over-heat protection

# USB port

## Universal single USB adaptor

Keep your devices charged and ready to go at all times with the Koso USB charger. The simple yet durable design of this USB charger allows it to be mounted virtually anywhere you please.

part

**K0009000**



### Specifications

- 2 Amps
- single port
- Can charge any USB device
- 12V DC powersource
- Short-circuit protection
- Over-heat protection

# X1

part

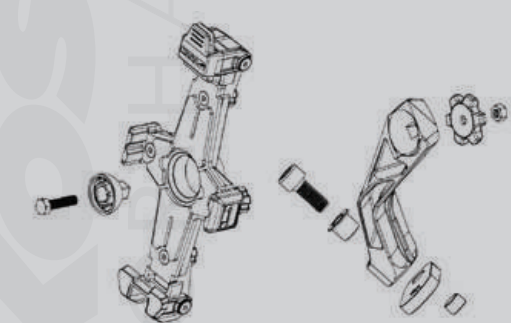
**QR000000**

regular size smartphone

**QR004000**

larger size smartphone

new



## smartphone bracket

Koso X1 smartphone bracket is the most well thought-out and easy to use accessory on the market. It has a mechanical style and is designed to adjust multiple ways, such as; length, height, depth and width, which makes this bracket suitable for any smartphone even those with thick cases. Easy adjustable screws, located on the back, lock the desired positioning securely into place. Most importantly, the top clamp is designed to allow you to insert and remove your smartphone easily by simply pulling it upwards.

\* Fits from 7/8" to 1 1/4" Handlebar.



## Specifications

- Six-way adjustable
- Quick release & lock function design
- Allowing user to find best position by free adjustable & rotating in 360°
- Thread size : M8 or M10

### ■ Regular size smartphone bracket:

**Min size :** length 4<sup>15</sup>/<sub>16</sub>" (126 mm) x 2<sup>1</sup>/<sub>4</sub>" (57 mm) wide x 5<sup>5</sup>/<sub>16</sub>" (7 mm)

**Max size :** length 6<sup>11</sup>/<sub>16</sub>" (170 mm) x 3<sup>1</sup>/<sub>8</sub>" (80 mm) wide x 9<sup>9</sup>/<sub>16</sub>" (14 mm)

### ■ Large size smartphone bracket:

**Min size :** length 5<sup>1</sup>/<sub>2</sub>" (140 mm) x 3<sup>13</sup>/<sub>16</sub>" (72 mm) wide x 5<sup>5</sup>/<sub>16</sub>" (7 mm)

**Max size :** length 7<sup>5</sup>/<sub>16</sub>" (186 mm) x 3<sup>1</sup>/<sub>2</sub>" (91 mm) wide x 5<sup>5</sup>/<sub>16</sub>" (16 mm)

## GPS signal converter kit

Some applications require different alternatives from the conventional speed sensor that is installed on the wheel. Whether it is a question of appearance (for those who do not want wires to be visible), or a question of functionality, this GPS speed signal converter offers more installation options, such as; cars, boats, snowmobiles, and many others ! Its 66 satellite antenna will capture the GPS signal, and the converter will transfer it into a pulse signal that will communicate with the speedometer. A simple, yet versatile accessory that is the future of GPS speed signal converters !



part

**KK000001**

complete kit

# Temperature sensor

## Temperature sensor

### Specifications

- Temperature R: 32 ~ 248 °F (0 ~ 150 °C)
- Resistance 10 kΩ

part

**BF030125**

P 1/8 (BSP) x28

**BF100100**

M10 x P 1.0

**BF100125**

M10 x P 1.25

**BF120125**

M12 x P 1.5

**BF140125**

M14 x P 1.25

**BF140150**

M14 x P 1.5

**BF160150**

M16 x P 1.5

**BF180150**

M18 x P 1.5



## Temperature sensor

### Specifications

- Temperature R: 32 ~ 482 °F (0 ~ 250 °C)
- Resistance 50 kΩ
- JST waterproof connector

part

**BF030000**

P 1/8 (BSP) x28

**BF100000**

M10 x P 1.0

**BF100001**

M10 x P 1.25

**BF120000**

M12 x P 1.5

**BF140000**

M14 x P 1.25

**BF140001**

M14 x P 1.5

**BF160000**

M16 x P 1.5

**BF180000**

M18 x P 1.5





## Cylinder head temperature sensors

part  
**K1001R11**  
10 mm

**K1001R15**  
14 mm

\* JST waterproof connector



### Specifications

■ Temperature  
R: 32 ~ 482 °F (0 ~ 250 °C)



**K1001R10**  
10 mm

**K1001R14**  
14 mm

### Specifications

■ Temperature  
R: 32 ~ 248 °F (0 ~ 150 °C)

**K1000R10**  
10 mm

**K1000R14**  
14 mm



## Water hose adaptor

\* Sensor not included

part  
**BG014B01** 14mm

**BG016B01** 16mm

**BG018B01** 18mm

**BG022B01** 22mm

**BG026B01** 26mm

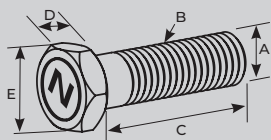


# Temperature sensor

cylinder head & water hose adaptor

# Speed & Oil plug

## Hexagone magnet screw & drain plug adaptor



## Hexagone magnet screw

\* for replacing an existing disk brake bolt to pickup speed signal



part	A	B	C	D	E
<b>BF010500</b>	5/16"	P18 lpi	0.716"	3.85 mm	12 mm
<b>BF010510</b>	M5	P0.8 mm	8.8 mm	4.00 mm	12 mm
<b>BF010630</b>	M6	P1.0 mm	7.6 mm	5.00 mm	12 mm
<b>BF010610</b>	M6	P1.0 mm	19.7 mm	3.85 mm	12 mm
<b>BF010600</b>	M6	P1.0 mm	24 mm	3.85 mm	12 mm
<b>BF010820</b>	M8	P1.25 mm	18.6 mm	3.9 mm	12 mm
<b>BF010830</b>	M8	P1.25 mm	23.6 mm	3.9 mm	12 mm
<b>BF010800</b>	M8	P1.25 mm	29 mm	3.9 mm	12 mm

## Oil drain plug adaptor

\* Sensor not included

part

**BG241215**

M12 x P1.5 x 15 L

**BG241412**

M14 x P1.25 x 15 L

**BG281415**

M14 x P1.5 x 15 L

**BG301615**

M16 x P1.5 x 15 L

**BG301815**

M18 x P1.5 x 15 L

**BG302010**

M20 x P1.0 x 15 L

**BG302015**

M20 x P1.5 x 15 L



■ **Speed sensor for  
EX-02 Enduro**

Japanese applications

**BF200000**



■ **Speed sensor for  
EX-02 Enduro**

KTM application

**BF200020**



# Speed

hard cable speed sensors

# Heated Accessories

End caps &  
heated grip glue

## End Cap

These end caps are designed to fit on all of our Koso heated grips.

part  
**AM102B000K**



new

## Long End Cap

These end caps fit deeper into the handlebar offering a more secure cap. Will fit with any Koso heated grips \* Sold individually.

part  
**AM106B000K**



## Heated Grip Glue

This glue is designed to subtain cold weather and offer a firm & secure fitment for your grips.

part  
**AM000000**



# Heated Accessories

Controller, controller  
bracket, heated thumb

## Heated grip controller

Direct replacement for your Koso heated grip controller.

part  
**AF003K00**



## Controller Bracket

This is a replacement bracket for your Koso 5 level heated grip controller.

part  
**XS003AF004**



## Heated thumb kit

Your thumb deserve the same treatment as your hands.

part  
**AM00001B**





**KOSO**   
NORTHAMERICA

---



Learn more about motorcycle gauges and dashboards we have.