



**KOSO**   
NORTH AMERICA

---

# Koso's philosophy

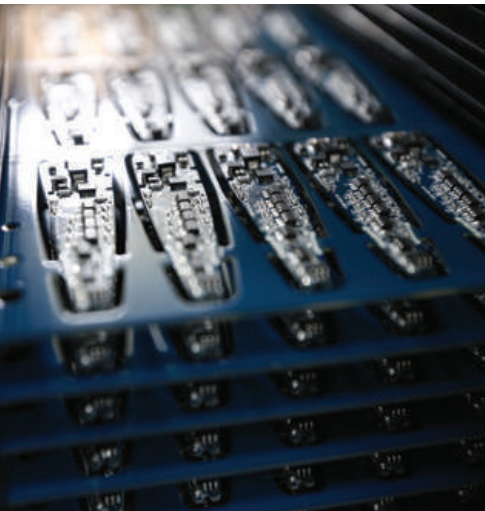
---

Koso, a synonym for quality and performance. With more than 35 years of experience designing and manufacturing high quality products, Koso has become well known across the powersports and OEM industries for its good reputation for reliability, innovation and capability. Whether we are manufacturing a product under private label, OEM or aftermarket products quality always remains our top priority. Innovation and creating new technologies are the keys to Koso's philosophy and drives us to continue pushing the limit further.

For several years now, Koso has had the opportunity to work with an outstanding team of engineers. Along with our state of the art testing equipment and production facilities, Koso has remained a leader in analog and digital technology. Koso produces a wide range of quality gauges/meters, heated equipment, LED indicators taillights and headlights as well as mirrors and engine parts. Koso is proud to offer a complete line of quality products for serious riders.

---

**KOSO**   
NORTHAMERICA



## Wideband air/fuel ratio meter

This nice backlit wideband air/fuel ratio meter will give you precious informations on your engine. It will allow you to tune more precisely your engine. Its warning could even save your engine from bad damages ! Its programmable warning will tell if your engine run too lean or too rich.



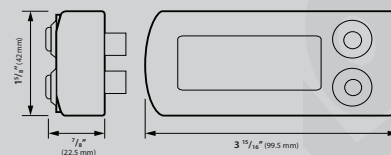
### Specifications (R = Range U= Unit)

- Air/fuel ratio  
R: 10 ~ 24
- Over LEAN setting  
R: LEAN 14.8 ~ 24
- Over RICH setting  
R: RICH 14.6 ~ 10
- Effective temperature range  
14 ~ 140 °F (-10 ~ 60 °C)
- Effective voltage  
DC 12 V
- Sensor included  
Bosch oxygen sensor: 28-BOSCH
- Compatible with 2 stroke or 4 stroke engines
- "2 stroke adaptor" BG001855 is mandatory when used on a 2 stroke application
- Requires a DC 12 V battery absolutely (will not function with our AC/DC converter) !

# Wideband

part

**BA004068**



# DL-03A

new

part

**BB642W30**

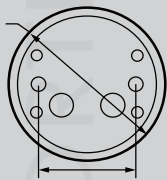
with 6ft extension wire

**BB642W31**

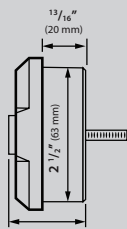
with 12ft extension wire



Ø2 13/16"  
(72 mm)



1 3/4" (45 mm)



1 3/16" (33 mm)

## Air/Fuel ratio & RPM data logger

The DL-03A is the newest addition into our lineup of multifunction meters which features air fuel ratio reading, RPM and playback ability to optimize your rides performance.

Automatically activates the heated screen to increase display reaction time in cold weather.

This meter is also easy to operate, compact and lightweight and can be mounted to many applications including snowmobiles, UTV's and more.



LSU 4.9 sensor included

## Specifications (R = Range U= Unit)

- **Tachometer**  
R: 0 ~ 14,000 RPM  
U: 1 level = 1,000 RPM
- **Air/fuel ratio**  
R: 9.0 ~ 24.0
- **Over LEAN setting**  
R: LEAN 14.7 ~ 24
- **Over RICH setting**  
R: RICH 9.0 ~ 14.7
- **Sensor type**  
Bosch oxygen sensor: LSU 4.9
- Compatible with 2 stroke or 4 stroke engines
- "2 stroke adaptor" **BC001855** is optional when used on a 2 stroke application
- Requires a DC 12 V battery absolutely (will not function with our AC/DC converter) !
- **Records:** Number of records: 50 sessions
- **Recording time**  
R: 99'59"99 seconds | TR: approx 3.18 Hr
- **Play mode speed**  
1 x play / pause | 3 x play / pause  
1/3 x play / pause | 1 x rewind / pause
- **Digital volt meter**  
R : DC 5 ~ 24 V  
Flashing numbers settable range  
DC 8V to DC 18V
- **Heated screen**  
Optimized reaction time under cold weather
- **Backlight brightness**  
R: 3 levels
- **Indicator lights**  
5 red LED warning lights
- **Effective temperature**  
R: 14 ~ 140 °F (-10 ~ 60 °C)
- **Effective voltage** DC 12 V



# EGT-01

part

**BA004065**

standard EGT sensor

**BA004065X**

fast response EGT sensor



## Single exhaust gas temperature meter

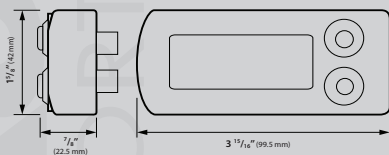
This nice backlit EGT-01 single exhaust gas temperature meter will give you precious informations on your engine. It will allow you to tune it more precisely. Its warning could even save your engine from bad damages!



### Specifications

(R = Range U= Unit)

- **Digital EGT temperature**  
R: 250 ~ 2,100 °F (100 ~ 1,200 °C)  
U: 1 °F or °C (alternative)
- **Over temperature warning**  
R: 392 ~ 2,100 °F (200 ~ 1,200 °C)  
U: 1 °F (°C)
- **Effective temperature range**  
14 ~ 140 °F (-10 ~ 60 °C)
- **Effective voltage**  
AC/DC 12 V
- **Sensor type**  
EGT standard: 28-CKTYPE9  
EGT fast response: 28-CKTYPEX



## Dual exhaust gas temperature meter

This nice EGT-02 dual exhaust temperature meter will give you precious informations on your engine. This meter allows you to tune it more precisely and to make sure nothing is wrong with it. The settable warning for each cylinder gives the opportunity to set the maximum temperature to reach at up to 2,100 °F. The color changing and the blinking of the screen makes it very easy to see if something is going wrong with the engine. This tool could save it from bad dammages!



### Specifications (R = Range U= Unit)

- Digital EGT temperature A/B  
R: 250 ~ 2,100 °F (100 ~ 1,200 °C)  
U: 1 °F or °C (alternative)
- Over temperature warning  
R: 392 ~ 2,100 °F (200 ~ 1,200 °C)  
U: 1 °F (°C)
- Top temperature range  
R: 250 ~ 2,100 °F (100 ~ 1,200 °C)  
U: 1 °F (°C)
- Effective temperature range  
14 ~ 140 °F (-10 ~ 60 °C)
- Effective voltage  
AC/DC 12 V
- Sensor type  
EGT standard: 28-CKTYPE9  
EGT fast response: 28-CKTYPEX

## EGT-02

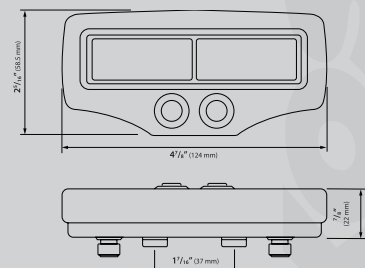
part

**BA006B61**

standard EGT sensor

**BA006B61X**

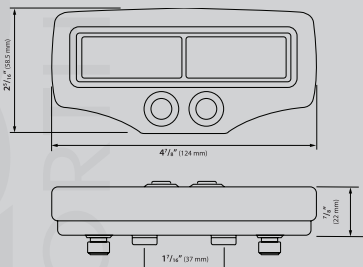
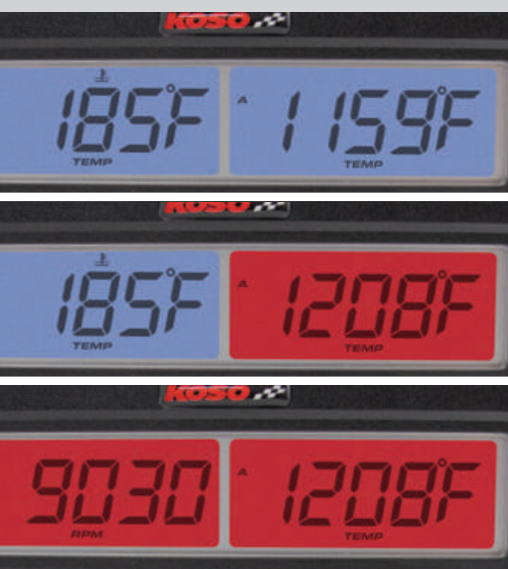
fast response EGT sensor



# EGT-02R

part  
**BA006B00**  
standard EGT sensor

**BA006B00X**  
fast response EGT sensor



## Dual EGT with RPM & water temperature meter

Continuing on with the evolution of our dual EGT-02 meter, Koso is proud to offer the dual EGT-02R with RPM and water temperature. This meter allows you to tune the engine more precisely and prevent engine damages. The settable warning and maximum recall functions for both EGT, RPM and water temperature are easy to use and show you vital engine informations. The color changing backlight makes it very easy to see even at night. This cool instrument can save your engine from expensive repairs!



- **Digital EGT temperature A/B**  
R: 250 ~ 2,100 °F (100 ~ 1,200 °C)  
U: 1 °F or °C (alternative)
- **Over temperature warning**  
R: 392 ~ 2,100 °F (100 ~ 1,200 °C)  
U: 1 °F (°C)
- **Top temperature range**  
R: 250 ~ 2,100 °F (200 ~ 1,200 °C)  
U: 1 °F (°C)
- **RPM** 0 ~ 15,000 RPM
- **Water temperature**  
32 ~ 482 °F (0 ~ 250 °C)  
U: 1 °F or °C (alternative)
- **Stroke / piston setting**  
2 stroke: 1, 2, 3, 4, 6 pistons  
4 strokes: 1, 2, 3, 4, 5, 6, 8, 10, 12 pistons
- **Effective temperature range**  
14 ~ 140 °F (-10 ~ 60 °C)
- **Effective voltage**  
DC 12 V
- **Sensor type**  
EGT standard: 28-CKTYPE9  
EGT fast response: 28-CKTYPEX  
Temperature: BF550023



# X-1

## Boost gauge

Today, many horsepower enthusiasts are upgrading their engine with turbo or supercharger. For this reason, we came up with this basic X-1 boost gauge with warning and peak functions. Made to resist cold temperature, water or dust, this meter can be adapted to any engines with turbo or supercharger. The changeable scale from 15 to 30 psi, the warning and peak recall function makes it a great tool.

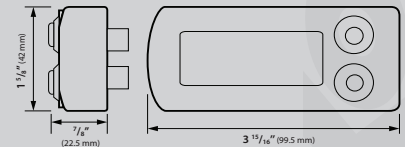


part

## BA029000

### Specifications (R = Range U= Unit)

- **Digital boost pressure**  
R: 0 ~ 15/30 psi | U: 0.5 psi
- **Peak recall**  
positive R: 10 ~ 30 psi | U: 1 psi  
negative R: -1 ~ -30 psi | U: 1 psi
- **Level boost pressure**  
15 psi R: 0 ~ 15 psi | U: 0.5 psi  
30 psi R: 0 ~ 30 psi | U: 1 psi
- **Warning function**  
Screen changes blue to amber
- **Effective temperature range**  
14 ~ 140 °F (-10 ~ 60 °C)
- **Effective voltage**  
AC/DC 12 V
- **Sensor type**  
Boost sensor: BF521000



# X-2

part

## BA029001

snowmobile version

- Compatible with 2 stroke or 4 stroke engines
- "2 stroke adaptor" **BG001855** is mandatory when used on a 2 stroke application
- Requires a DC 12 V battery absolutely (will not function with our AC/DC converter)!

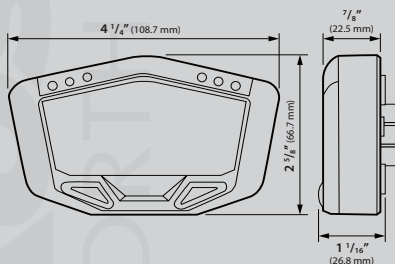
## Wideband a/f ratio, boost and intercooler temperature meter

This X-2 multifunction unit is a great tool for all horsepower enthusiasts that are upgrading their engine with turbo or supercharger. Following many requests, we came up with a unit that combines boost pressure, air/fuel ratio and a temperature function which can be installed on the cooling system or the intercooler. This meter is made to resist cold temperature, snow, water and dust. The X-2 meter will give you precious informations to help you pull out more horsepower out of your engine or can save it from bad damages.



### Specifications (R = Range U= Unit)

- Digital boost pressure**  
R: 0 ~ 15/30 psi | U: 0.5 psi
- Peak recall**  
positive R: 10 ~ 30 psi | U: 1 psi  
negative R: -1 ~ -30 psi | U: 1 psi
- Level boost pressure**  
15 psi R: 0 ~ 15 psi | U: 0.5 psi  
30 psi R: 0 ~ 30 psi | U: 1 psi
- Boost pressure warning** R: 1 ~ 30 psi
- Digital air/fuel ratio** R: 9 ~ 24 | U: 0.1
- Level air/fuel ratio** R: 9 ~ 21 | U: 0.2
- Over LEAN setting** R: 14.8 ~ 24
- Over RICH setting** R: RICH 14.6 ~ 10
- Warning function**  
Screen changes blue to amber
- Temperature**  
R: 32 ~ 482 °F (0 ~ 250 °C)  
U: 0.1 °F or °C (alternative)
- Over temperature setting**  
R: 140 ~ 482 °F (0 ~ 250 °C) | U: 1 °F (°C)
- Indicator lights**  
AFR (green), High AFR (red), Low AFR (red), Pressure (red), Temperature (red)
- Effective temperature range**  
14 ~ 140 °F (-10 ~ 60 °C)
- Effective voltage**  
DC 12 V
- Sensor type**  
Boost sensor: BF521000  
Bosch oxygen sensor: 28-BOSCH  
Temp. sensor: BF030000



## Digital air density digital meter

This is a great tool for serious engine tuners. Our air density meter allows to see if the air density has changed. It could help you determine if the jetting or fuel mapping should be adjusted.

Altitude, temperature and atmospheric pressure can affect quickly the performance of the engine. Our meter will instantly tell you if the condition has change so the proper changes can be made on the engine. This is a must for performance enthusiasts since it will help get the extra horsepower out of the engine or it could even save the engine from bad damages.



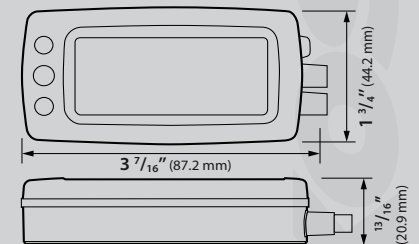
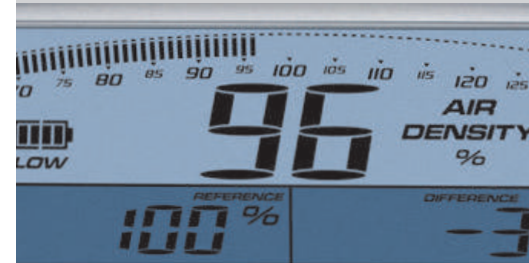
### Specifications (R = Range U= Unit)

- **Digital air density in %**  
R: 50 ~ 150% | U: 1%  
Warning: blink light at over-range
- **Air density scale in %**  
R: 70 ~ 130% | U: 1%
- **Barometric pressure**  
R: hPa: 500 ~ 1150 hPa  
mmHg: 375 ~ 862.5 mmHg  
inHg: 14.76 ~ 33.95 inHg  
U: hPa: 1 hPa  
mmHg: 0.5 mmHg  
inHg: 0.1 inHg
- **Air temperature**  
R: -4 ~ 176 °F (-20 ~ 80 °C)  
U: 1 °F or °C (alternative)
- **Battery indicator**  
R: 4 levels | blink light when low power
- **Warning light**  
Light on when air density is 5% < or > then set point
- **Effective temperature range**  
14 ~ 140 °F (-10 ~ 60 °C)
- **Battery type**  
CR 2032

# Air density

part

**BC001601**



# Super slim style

part  
**BA024B10**  
thermometer/°C version / blue

**BA024R11**  
thermometer/°C version / red

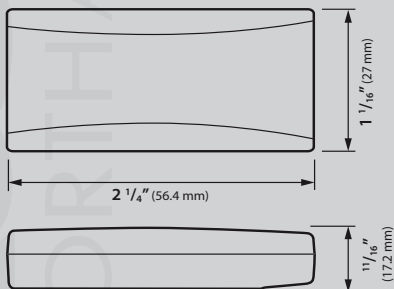
**BA024B11**  
thermometer/°F version / blue

**BA024R10**  
thermometer/°F version / red

**BA024B00**  
volt meter / blue

**BA024R00**  
volt meter / red

**BA024B50**  
clock & volt meter



## Digital super slim style thermometer, volt & clock meters

Our Super Slim Style series is one of our best seller because its small and compact size makes it very easy to install at almost any location on the bike. The blue or red illuminated digits make the meter very attractive and easy to read at night. Different models are available, temperature meter, volt meter and clock/volt meter and they are all equipped with a warning function to help you monitor the information.



### Specifications (R = Range U= Unit)

■ Effective temperature range  
14 ~ 140 °F (-10 ~ 60 °C)

■ Power DC 12 V

## Thermometer

### Specifications

- **Thermometer**  
R: 32 ~ 248 °F (0 ~ 120 °C)  
U: 1 °F or °C (alternative)
- **Temperature warning**  
Flashing light when > 248 °F (120 °C)
- **Sensor type**  
Temp. sensor: BF030125 1/8 (BSP) x 28



## Volt meter

### Specifications

- **Volt meter**  
R: DC 8 ~ 18 V | U: DC 0.1 V
- **Voltage warning**  
Flashing light when < 11.5 V



## Clock & volt meter

### Specifications

- **Clock** R: 24 H format
- **Volt meter**  
R: DC 6 ~ 19.9 V | U: DC 0.1 V
- **Volt warning setting**  
R: DC 8 ~ 18 V | U: DC 0.1 V  
Default values:  
High DC 14 V | Low: DC 11 V



# Super slim touch

new

part

**BA068040**

blue

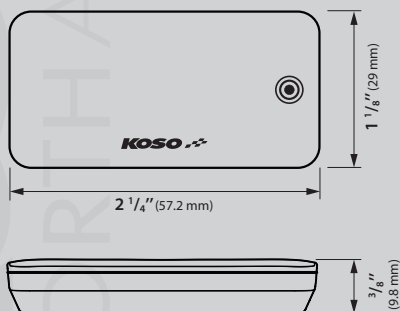
**BA068041**

red



## Digital super slim touch screen, volt & temperature meter

This new small and compact size digital meter with touch screen lets you switch between volt and a temperature reading at the touch of your finger. The blue or red illuminated digits are attractive and easy to read at night.



### Specifications (R = Range U= Unit)

- **Volt meter**  
R : DC 8 ~ 18 V  
Flashing warning light when  
< DC 8 V or > DC 13 V.
- **Temperature**  
R: -4 ~ 248 °F (-20 ~ 120 °C)  
U: 0.1 °F (°C) alternative
- **Max temperature Record**  
R: 32 ~ 248 °F (0 ~ 120 °C)
- **Overheat temperature Warning**  
R: 122 ~ 248 °F (50 ~ 120 °C)
- **Effective temperature**  
R: 14 ~ 140 °F (-10 ~ 60 °C)

## Mini tachometer meter

Our Mini meter uses an LCD screen powered by an inner CR 2032 changeable battery that allows installation on any vehicle. Small, compact and user-friendly; they are easy to install on many applications.



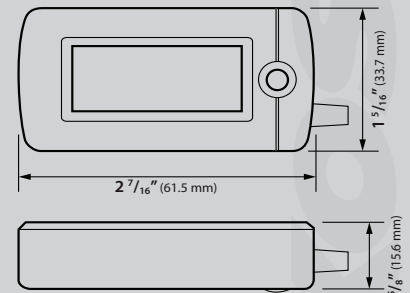
### Specifications (R = Range U= Unit)

#### Tachometer

- RPM R: 0 ~ 15,000 RPM | U:10 RPM
- RPM input pulse:  
R:0.5, 1, 1.5, 2, 2.5, 3, 4, 5, 6
- Effective temperature range  
14 ~ 140 °F (-10 ~ 60 °C)
- Power LCD: CR 2032
- Battery lifetime ± 1,000 H

## Mini

part  
**BA003040**  
tachometer



# Mini 3

part  
**BA003200**  
oil pressure meter

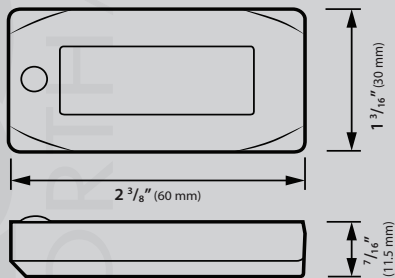
**BA003211**  
air/fuel ratio meter

**BA003270**  
ambient air temp.

**BA003190**  
AMP & volt meter

**BA003160**  
clock & volt meter

**BA003170**  
dual temperature meter



## Mini 3 oil pressure, air/fuel ratio, ambient air temperature meters

The Mini 3 series has been developed with the best components and latest technology. Compact, lightweight and easy to connect, the Mini 3 meters are a must have.



### Specifications (R = Range U= Unit)

- Effective temperature range  
14 ~ 140 °F (-10 ~ 60 °C)
- Power DC 12V



## Oil pressure meter

The Mini 3 oil pressure meter is a must for all applications. Its reading can help you avoid major mechanical problems. If the pressure goes down, that can indicate a leak in the system or a malfunction of the engine. Also, if you ride your bike at a high RPM range, the pressure meter can help you understand if the oil lubricates the engine properly.

### Specifications

- Oil pressure meter  
R: 0 ~ 100 PSI (0 ~ 7 kgf/cm<sup>2</sup>)  
U: 0.1 PSI (kgf/cm<sup>2</sup>)
- Oil pressure warning  
Flashing light when  $\leq$  setting value



## Air/fuel ratio meter

Our Mini 3 air/fuel ratio meter was especially designed to help you tune your carbureted or fuel injected engine. This meter can be easily installed on any type of 4 stroke engine by installing the sensor in the exhaust system and connecting the instrument to a DC 12 V source of power.

### Specifications

- Air/fuel ratio meter  
R: 12.2 ~ 17.2 | U: 0.1
- Sensor type  
Race type O<sub>2</sub> sensor: BG000S01
- \*Compatible with 4 stroke engines only



## Ambient air temp.

The Mini 3 ambient air temperature is the perfect addition for any application. Very simple to install and affordable, this is the perfect tool to monitor the outside temperature and help you dress properly.

### Specifications

- Thermometer  
R: -22 ~ 248 °F (-30 ~ 120 °C)  
U: 0.1 °F or °C (alternative)



# Mini 3

## AMP & volt meter

This Mini 3 AMP & volt meter will give you the vehicle voltage and amps used. This meter can be very helpful especially when there is many electrical accessories connected to the vehicle.

### Specifications

- **AMP meter**  
R: 0 ~ 30 A | U: 0.1 A
- **Volt meter**  
R: DC 6 ~ 19.9 V | U: DC 0.1 V
- **Low voltage warning**  
R: DC 8 ~ 13 V | U: DC 0.1 V
- **Voltage warning**  
Flashing light when < 11.5 V or > 15.5 V



## Clock & volt meter

This compact and lightweight Mini 3 clock & volt meter features a clock and also the vehicle voltage. This meter can be very helpful especially when there is many electrical accessories connected to the vehicle

### Specifications

- **Clock** R: 24 H format
- **Volt meter**  
R: DC 6 ~ 19.9 V | U: DC 0.1 V
- **Low voltage warning**  
R: DC 8 ~ 13 V | U: DC 0.1 V
- **Voltage warning**  
Flashing light when < 11.5 V or > 15.5 V



## Dual temperature meter

This compact and lightweight Mini 3 dual temperature meter features two temperatures output. This meter can give you precious information such as coolant and oil temperature. temperature and help you dress properly.

### Specifications

- **Thermometer A/B**  
R: 32 ~ 248 °F (0 ~ 120 °C)  
U: 0.1 °F or °C (alternative)
- **Temperature warning**  
Flashing light when > 248 °F (120 °C)
- **Sensor type**  
Temperature sensor: BF030125 1/8(BSP) x 28



# Mini 4

part  
**BA033000**

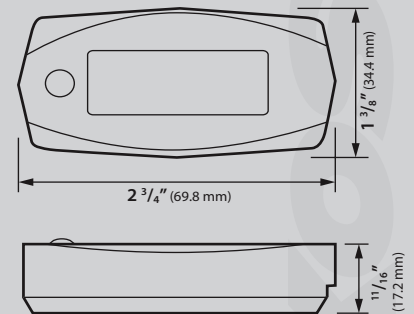
## Hour meter

Our hour meter will allow you to track the motor running time and schedule your next engine maintenance. User-friendly and quick to install, this compact hour meter is a must to all serious riders.



### Specifications (R = Range U= Unit)

- **Total hour meter**  
R: 0 ~ 99,999 H | U: 0.1 H
- **Hour meter A/B (resettable)**  
R: 0 ~ 999,9 H | U: 0.1 H
- **Effective temperature range**  
14 ~ 140 °F (-10 ~ 60 °C)
- **Effective voltage DC 12 V**
- **Power CR 2032**
- **Battery lifetime ± 350 H**
- **Sensor included Temp.: 1/8 (BSP) x 28**



part

## **BA067B10**

thermometer/ °C version / blue

## **BA067R10**

thermometer/°C version / red

## **BA067B12**

thermometer/°F version / blue

## **BA067R12**

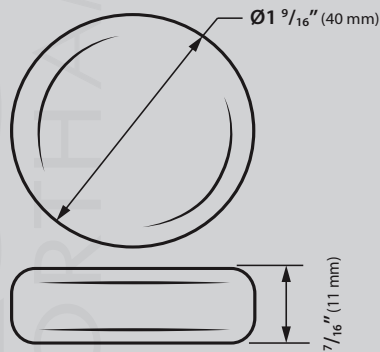
thermometer/°F version / red

## **BA067B00**

volt meter / blue

## **BA067R00**

volt meter / red



## Round style thermometer, volt & clock meters

The small and compact size of the I-Gear meters make it very easy to install at almost any location on the bike. The blue or red illuminated digits make these meters very attractive and easy to read at night. Different models are available : temperature meters, and volt meter. They are equipped with a warning function to help you monitor the information.



## Thermometer

### Specifications

- **Thermometer**  
R: 32 ~ 248 °F (0 ~ 120 °C)  
U: 1 °F or °C (alternative)
- **Temperature warning**  
Flashing light when > 248 °F (120 °C)
- **Effective temperature range**  
14 ~ 140 °F (-10 ~ 60 °C)
- **Power** DC 12 V
- **Sensor type**  
Temp. sensor: BF030125 1/8 (BSP) x 28



## Volt meter

### Specifications

- **Volt meter**  
R: DC 8 ~ 18 V | U: DC 0.1 V
- **Voltage warning**  
Flashing light when < 11.5 V
- **Effective temperature range**  
14 ~ 140 °F (-10 ~ 60 °C)



# Proton

part

**BA074200**

thermometer

**BA074000**

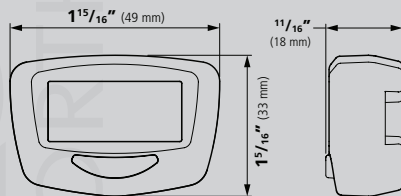
RPM & hour meter

**BA074300**

volt meter

## Specifications

- Internal battery type  
CR 2032
- Battery lifetime (continuously)  
± 350 H
- Battery self consumed lifetime  
± 5 years
- Effective temperature range  
14 ~ 140 °F (-10 ~ 60 °C)



## Meters

Designed to function on virtually any motorsport vehicle as it operates with a CR2032 replaceable battery. This light weight compact gauge features a large LCD display for easy reading and a removable face plate with all necessary hardware providing a simple and clean install.



## Thermometer

The Proton water temperature meter will provide you with a precise reading of your engines coolant temperature. Supplied with a 1/8 BSP sensor, this meter will provide you with accurate temperature readings and help avoid overheating.

### Specifications

- **Temperature**  
R: 32 ~ 248 °F (0 ~ 120 °C)  
U: 0.1 °F (°C) alternative
- **Max temperature Record**  
R: 32 ~ 248 °F (0 ~ 120 °C)



## RPM & hour meter

The Proton RPM & hour meter will allow you to visualise the revolutions of your motor while the hour meter will keep track of the amount of time your engine has ran.

### Specifications

- **Digital tachometer**  
R: 0 ~ 20, 000 RPM  
U: 100 RPM
- **Max RPM Record**  
R: 0 ~ 20, 000 RPM
- **RPM input pulse**  
R: 0.5 / 1 / 1.5 / 2
- **Total engine hour meter**  
R: 0 ~ 999.9 / 1,000 ~ 99,999 H
- **Hour meter A/B**  
R: 0 ~ 999.9 H | U: 0.1 H



## Volt meter

The Proton volt meter will allow you to visualise the vital signs of your motor vehicles battery saving you from potential troubles.

### Specifications

- **Volt meter**  
R: DC 1 ~ 70 V | U: DC 0.1 V
- **Max volt Record**  
DC 1 ~ 70 V



## Proton thermometer with temperature adaptor

### BA074200-14

14 mm adaptor

### BA074200-18

18 mm adaptor

### BA074200-26

26 mm adaptor

### BA074200-16

16 mm adaptor

### BA074200-22

22 mm adaptor



# Apollo

part

## AX073010

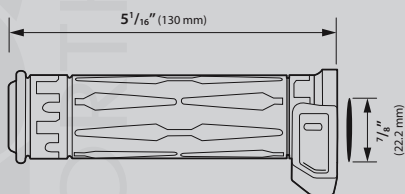
L: 7/8" – R: 7/8" handlebar

## AX073210

L: 7/8" – R: 7/8" handlebar with heated thumb

### Specifications

- 130 mm size
- Integrated temperature level thumb switch
- Universal fitment for all ATV and snowmobile models
- 5 temperature levels to choose from indicated by multi-color LED
- Low battery cut off protection
- Internal memory that allows grips to power on at previous heat level



## Heated grips universal fit (ATV & snowmobile)

Pushing forward and innovating is what we do. After huge success with our original Apollos we've decided to release a version for thumb throttle vehicles. Featuring our exclusive thumb switch design and 5 levels of temperature, these grips are ergonomically friendly and keep your hands warm in cold harsh weather.





# MX-1

## Snowmobile / dirt bike heated grips

Designed specifically for dirt & snow bikes. The aggressive lock on diamond pattern grip made of high quality materials will be sure to keep your hands glued to the grips all while keeping them warm and comfortable at the same time.

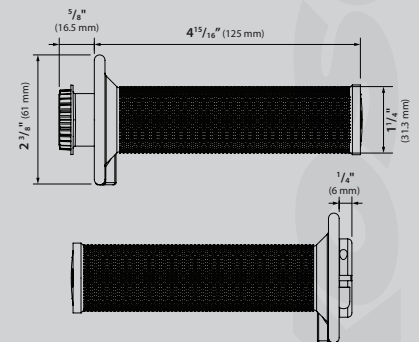


part

## AX1070G0

### Specifications

- Power: require DC 14 V, 35 W of power/pair and draws 2.5 A/pair at maximum level
- Includes 2 clamp-on grips
- External controller for temperature adjustment
- Low battery cut off protection
- Internal memory that allows grips to power on at previous heat level
- Removable end caps



# Multi Adjustment

part

## AM10710F

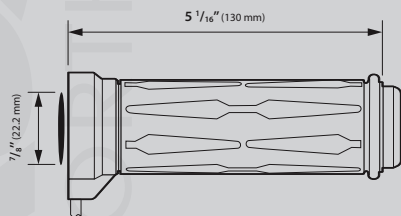
Fits L: 7/8" R: 7/8" handlebar

## AM10711F

Fits L: 7/8" R: 7/8" handlebar  
with heated thumb

### Specifications

- Multi adjustment controller allows you to adjust the temperature to desired comfort level
- "Short circuit protection" and "low battery cut off protection"
- Rubber material that is resistant to outdoor conditions and elevated temperatures
- Internal memory that allows the grips to stay at last warmth level
- Thin and flexible silicone wires make them easy to install



### Heated grips (for thumb throttle)

Available in an assortment of sizes, twist or thumb throttle. These Multi Adjustment heated grips will keep your hands warm even in the harshest cold weather conditions. The external controller featuring a simple dial and an LED lite background allows you to simply choose your level of temperature even at night time. The Multi Adjustment heated grips also feature a "low voltage cut off protection", this system will automatically detect the voltage of your machine and automatically shut off the heated grips if the voltage happens to fall under 12V.



# 5 Level

## Heated grips (for thumb throttle)

Also available in an assortment of sizes for motorcycles as well as ATV's and snowmobiles, these 5 level heated grips feature an external controller with 5 levels of heat to choose from. The controller features simply one button to rotate through temperature levels and 5 LED lights to indicate which level of temperature is in use.

The 5 level heated grips also feature a "low voltage cut off protection", this system will automatically detect the voltage of your machine and automatically shut off the heated grips if the voltage happens to fall under 12V.



part

### AM10710G

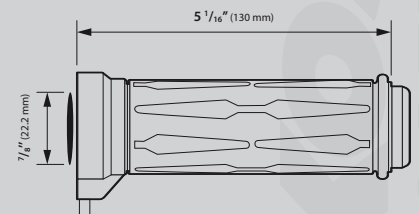
Fits 7/8" + 7/8" handlebar

### AM10712G

Fits 7/8" + 7/8" handlebar - heated thumb

### Specifications

- 5 level temperature controller allows you to adjust the temperature to desired comfort level
- "Short circuit protection" and "low battery cut off protection"
- Rubber material that is resistant to outdoor conditions and elevated temperatures
- Internal memory that allows the grips to stay at last warmth level
- Thin and flexible silicone wires make them easy to install



# X-Claws

new

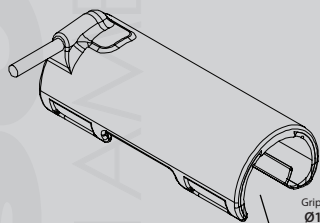
part

## AX120000

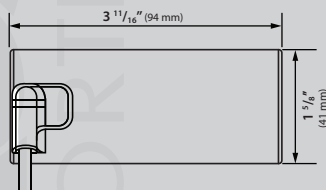
Universal fit

### Specifications

- Easy plug and play USB power source (5V)
- Single heating level requires 10W minimum
- Universal fit to be clipped on any handlebar sizes
- Rubber material that is resistant to outdoor conditions and high temperatures
- Thin and flexible silicone wires make them easy to install



Grip diameter between  
 $\varnothing 1 \frac{7}{32}'' - 1 \frac{11}{32}''$   
(31-35 mm)



## Heated Clip-On (for USB power source)

These new heated devices are for the user that does not want to commit to changing their grips but still wants to maintain the comfort of heated grips. The fitment is intended to fit all sorts of handlebar sizes. They can be installed and removed in a matter of seconds and kept in any sports bag when not in use. The power source is a simple connection to your USB port (5V).



# X-Claws

new

## Heated Clip-On with Lo Hi switch (for 12V power source)

These new heated devices are for the user that does not want to commit to changing their grips but still want to maintain the comfort of heated grips. The fitment is intended to fit all sorts of handlebar sizes. They can be installed and removed in a matter of seconds and kept in any sport bag when not in use. The power source requires a 12V connection. There is 5 levels of heat offered to suit your preference.



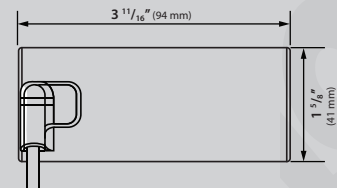
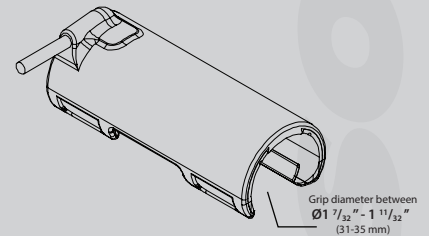
part

## AX1200M0

Universal fit

### Specifications

- 12V power source requires 10W minimum
- lo and hi level inline switch
- Universal fit to be clipped on any handlebar sizes
- Rubber material that is resistant to outdoor conditions and high temperatures
- Thin and flexible silicone wires make them easy to install



# Aurora

part

## HG008001

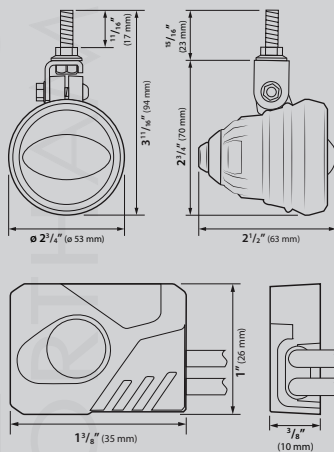
### Specifications

#### LED fog lights

- Brightness: 420 lumens each
- Angle of pitch  
+90° / +45° / 0° / -45° / -90°
- Temp range:  
14 ~ 140 °F (-10 ~ 60 °C)
- Effective voltage: DC 10 ~ 16 V
- Temp range:  
14 ~ 140 °F (-10 ~ 60 °C)

#### Controller

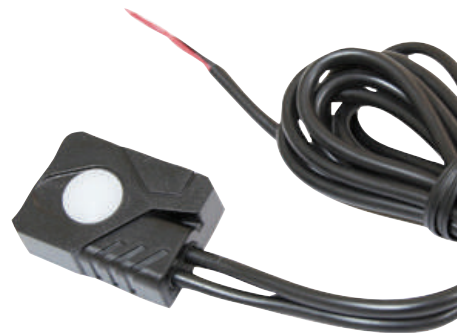
- Power: DC 12 V / 7 W



## LED fog lights

When it comes to riding motorcycle, security should definitely be a priority. This is why the use of fog lights is a must for seeing and being seen under bad weather conditions. Lightweight, easy to install and adjustable, our Koso quality Aurora fog lights will complement your ride.

\* DOT & ECE compliant.



## LED taillight

Our Nano brake light is probably one of the smallest, brightest and lightest taillight on the market. Its ultra-bright LED is made to increase the rear visibility and allow you to ride safely. Its compact shape makes it perfect for all naked bikes and for those who like minimal accessories. Affordable and simple to install, this Nano taillight will certainly enhance the look of your ride !



# Nano

part

**HB026000**

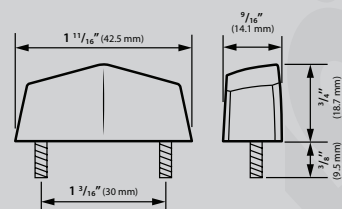
red lens

**HB026010**

smoke lens

## Specifications

- 1 ultra-bright LED light
- Red or smoke lens



# Hawkeye

part

**HB034000**

red lens

**HB034010**

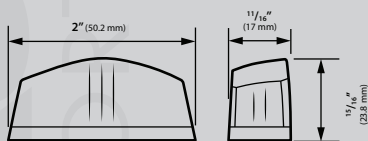
smoke lens

## Specifications

- Dual function
- 1 ultra-bright LED light
- License plate light
- Red or smoke lens

## LED taillight

The Hawkeye taillight is a micro high power LED that also features a license plate light. This taillight may be small however the ultra-bright LED makes it extremely visible during day or night. Universal fitment designed to fit any application.





## LED taillight

Set your motorcycle apart using the Koso Infinity taillight. Available with red or smoke lens, its 6 ultra-bright LED lights will increase your visibility. This taillight also has a license plate light which makes it better. Affordable and easy to install, this is a must to customize your motorcycle or scooter.



# Infinity

part

**HB025020**

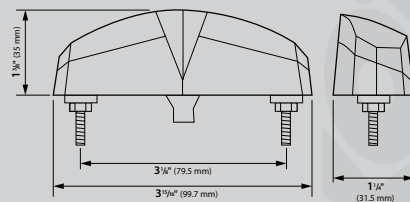
red lens

**HB025010**

smoke lens

## Specifications

- 6 ultra-bright LED lights
- License plate light
- Red or smoke lens



# GT-01

part

**HB031000**

red lens

**HB031100**

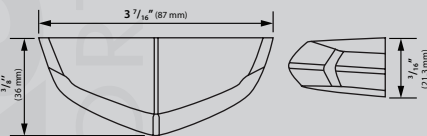
smoke lens

## Specifications

- Red or smoke lens
- Halo style daytime running light
- 3 ultra-bright LED lights  
brake lights

## LED taillight

The latest LED technology in the form of a taillight. Whether you are looking to bring your bikes lighting up to date or looking to set your ride apart you can rest assure Koso's Halo taillight will provide. Featuring the latest and greatest Ultra bright LED technology you can rest assure other motorists will spot you on the road all while providing a great modernized look.



## LED license plate light

this new LED license plate light will give you the compact and easy to install license plate light features and bring a stylish twist to your typical license plate light. Its specifications, quality components, and Ultra-bright LED light are the reasons behind its DOT compliance. This item is a must to customize your motorcycle at a low cost.

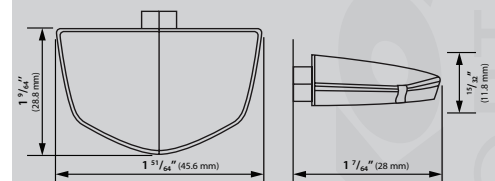


part

**HD009000**

### Specifications

- Range: DC 10 ~ 18 V
- Max voltage: DC 24 V < 60 sec
- DOT compliant



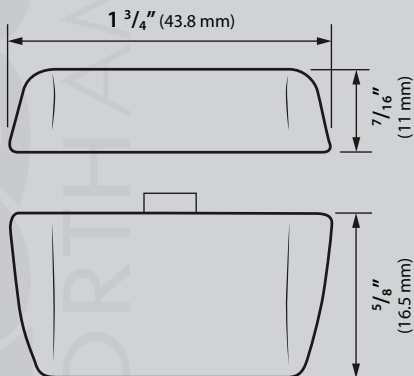
# Blade

part

**HD008000**

## Specifications

- Range: DC 10 ~ 18 V
- Max voltage: DC 24 V < 60 sec
- DOT compliant



## LED license plate light

Our constant desire to add new products to our accessory line has pushed us to develop a small, compact and easy to install license plate light. Its specifications, quality components and Ultra-bright LED light are the reasons behind its DOT compliance. This item is a must to customize your motorcycle at a low cost.



# USB-port

part

**K0008110**

## Universal dual USB adaptor

Technology and the devices we use in today's world follow us everywhere we go. Our dual USB adaptor now provides you with the possibility of charging those precious devices while riding. Whether it's a GPS, cellphone or any other small electronical device, our dual USB adaptor provides you with the worry free feeling of knowing your devices will always be charged no matter where the road takes you !



## Specifications

- 2 Amps  
R: 0 ~ 9,000 RPM | U: ± 100 RPM
- Dual port
- Can charge up to 2 IPads simultaneously
- Direct fit
- Short-circuit protection
- Over-heat protection

# USB-port

new

part

**K0012000**



## Quick charge dual USB adaptor

Our quick charge dual USB adaptor provides you with the possibility of charging your precious devices quickly. Whether it's a GPS, smartphone, tablet or any other small electrical device, our dual USB adaptor is designed to be installed at any location on you ride since the charging device and the USB output are two separate item.



### Specifications

- Output specifications support 3.0 power-charging  
DC 5V/3A 9V/2A 12V/1.5A
- Dual port
- Can charge up to 2 IPads simultaneously
- Effective temperature range  
14 ~ 140 °F (-10 ~ 60 °C)
- Short-circuit protection
- Over-heat protection

# USB port

## Universal single USB adaptor

Keep your devices charged and ready to go at all times with the Koso USB charger. The simple yet durable design of this USB charger allows it to be mounted virtually anywhere you please.

part

**K0009000**



### Specifications

- 2 Amps
- single port
- Can charge any USB device
- 12V DC powersource
- Short-circuit protection
- Over-heat protection

# X1

part

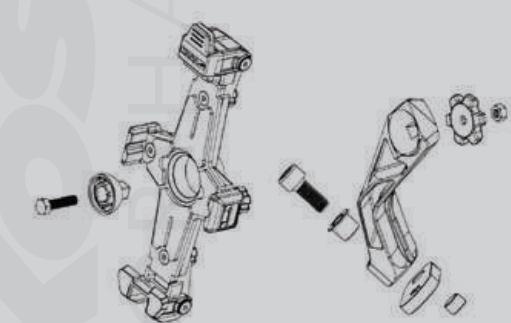
**QR000000**

regular size smartphone

**QR004000**

larger size smartphone

new



40

## smartphone bracket

Koso X1 smartphone bracket is the most well thought-out and easy to use accessory on the market. It has a mechanical style and is designed to adjust multiple ways, such as; length, height, depth and width, which makes this bracket suitable for any smartphone even those with thick cases. Easy adjustable screws, located on the back, lock the desired positioning securely into place. Most importantly, the top clamp is designed to allow you to insert and remove your smartphone easily by simply pulling it upwards.

\* Fits from 7/8" to 1 1/4" Handlebar.



## Specifications

- Six-way adjustable
  - Quick release & lock function design
  - Allowing user to find best position by free adjustable & rotating in 360°
  - Thread size : M8 or M10
- **Regular size smartphone bracket:**  
**Min size :** length 4<sup>15</sup>/<sub>16</sub>" (126 mm) x 2<sup>1</sup>/<sub>4</sub>" (57 mm) wide x 5<sup>5</sup>/<sub>16</sub>" (7 mm)  
**Max size :** length 6<sup>11</sup>/<sub>16</sub>" (170 mm) x 3<sup>1</sup>/<sub>8</sub>" (80 mm) wide x 9<sup>9</sup>/<sub>16</sub>" (14 mm)
  - **Large size smartphone bracket:**  
**Min size :** length 5<sup>1</sup>/<sub>2</sub>" (140 mm) x 3<sup>13</sup>/<sub>16</sub>" (72 mm) wide x 5<sup>5</sup>/<sub>16</sub>" (7 mm)  
**Max size :** length 7<sup>5</sup>/<sub>16</sub>" (186 mm) x 3<sup>1</sup>/<sub>2</sub>" (91 mm) wide x 5<sup>5</sup>/<sub>8</sub>" (16 mm)



## GPS signal converter kit

Some applications require different alternatives from the conventional speed sensor that is installed on the wheel. Whether it is a question of appearance (for those who do not want wires to be visible), or a question of functionality, this GPS speed signal converter offers more installation options, such as; cars, boats, snowmobiles, and many others ! Its 66 satellite antenna will capture the GPS signal, and the converter will transfer it into a pulse signal that will communicate with the speedometer. A simple, yet versatile accessory that is the future of GPS speed signal converters !



part

**KK000001**

complete kit

# Optional parts

part

**A BG001813**

Bung, cap and washer kit

**B BG001855**

O<sup>2</sup> adaptor 2 stroke engine

**C BI520099**

EGT weld on bushing

**D 28-C003000**

EGT sensor extension



# Heated Accessories

## Heated grip controller

Direct replacement for your Koso heated grip controller.

part  
**AF003K00**



Controller, controller  
bracket, heated thumb

## Controller Bracket

This is a replacement bracket for your Koso 5 level heated grip controller.

part  
**XS003AF004**



## Heated thumb kit

Your thumb deserve the same treatment as your hands.

part  
**AM00001B**



# Heated Accessories

End caps &  
heated grip glue

## End Cap

These end caps are designed to fit on all of our Koso heated grips.

part  
**AM102B000K**



new

## Long End Cap

These end caps fit deeper into the handlebar offering a more secure cap. Will fit with any Koso heated grips \* Sold individually.

part  
**AM106B000K**



## Heated Grip Glue

This glue is designed to subtain cold weather and offer a firm & secure fitment for your grips.

part  
**AM000000**





**KOSO**   
NORTH AMERICA



**KOSO**   
NORTHAMERICA

---



Learn more about powersports dashboards and gauges we have.