



LASER STAR®  
LIGHTS



## Welcome!

It all began in 1992 with the conception and production of the original 'Bullet Lights'. Our owner, Pat Scott, utilized his state-of-the-art CNC machine shop, NCDI, to design and fabricate the line. The product was first of its kind. Utilizing CNC technology, the housing was machined from aircraft quality solid billet aluminum, then fitted with a cutting edge projector-type halogen lamp and still is to this day. The light was smaller and brighter than anything the market had ever seen before. Word quickly spread about the quality and brightness of this new light and in June of 1993 Weekend Concepts and the Lazer Star brand was born as a division of NCDI.

Sand sports was the core consumer base, but with ingenuity the Billet Lights line evolved and the introduction of more styles and technologies became available, shifting popularity to V-Twin/Harley Davidson consumers. By 2000 the line was heavily distributed throughout the Power sports community.

In 2002 Weekend Concepts outgrew NCDI and branched off to its own corporation, owned and operated by the Scott family and moved its facility to Anaheim.

In 2008, seeing an opportunity Weekend Concepts/Lazer Star Lights moved into its own facility in Paso Robles, CA and development began on the newly emerging technology of projection type LED circuitry. The LX LED, a line of high-quality, highly efficient lighting products were introduced in 2011. Lazer Star's constant strive to offer the best products on the market is now working on its 3rd generation of LX LED light bars, offering customers the absolute best technology, strongest products and easiest to use mounting solutions.

### Lazer Star Lights Mission Statement:

*Our mission is to enhance the recreational experience by providing confidence, comfort and reliability through our dependable, quality products and family oriented service.*

### A Personal Thank You,

Whether you are a returning customer or new to our family, I want to personally thank you for choosing Lazer Star Lights. Our success is dependent upon your enthusiasm and satisfaction of our products. We hope you find our newest lighting solutions as exciting as we do, and we would love for you to share your experiences with us.

- Pat Scott, Founder



## Table Of Contents

WELCOME	2
CONTENTS	3
LX LED	4
ENTERPRISE	6
ENDEAVOUR	10
ATLANTIS/MARINE SERIES	14
RACER/MULTI-COLORED	18
UTILITY/MULTI-PURPOSE	24
PRERUNNER	28
BILLET LIGHTS	34
VIZOR LIGHTS	45
DOMINATOR HID	46
JEEP KITS	48
AUTOMOTIVE & MOTORCYCLE KITS	52
UTV & ATV LIGHT KITS	56
ACCESSORY & ACCENT LIGHTING	64
OEM UPGRADES	70
ELECTRICAL	74
PARTS & ACCESSORIES	82



# LX LED™

BY LAZER STAR®

Lazer Star Lights flagship line, now in it's second generation; LX LED offers the absolute best in fit, form and function. The Gen2 LX offers a patented design featuring female Deutsch connectors in the ends for convenient installation from either end of light bar, or as a daisy chain wiring solution.

## ENTERPRISE

The top-of-the-line 10-watt LED light bar series, will guide you on all your adventures. Low profile 2-1/2" tall housing is available in many options of beam configurations and lengths up to 50 inches.

## ENDEAVOUR®

The industry standard 3-watt double-row LED light bars provide exceptional light, in the same 2-1/2" profile as Enterprise; available in many configurations and lengths from 6" - 52". Endeavour is also available in "Racer Special" featuring an amber/white color switching function.

## ATLANTIS®

A single row of 3-watt LED's with an industry leading low profile at 1-3/4", available in stock lengths up to 50". Racer Series Atlantis is available in amber, red, or blue LED as well as, 2 versions of Best in the Desert compliant Racer Tail lights.



Mount: Vertical



Mount: Side



Mount: Horizontal



Daisy Chained





Easy-to-use PATENTED end caps\*:

- US Patent No: 8974102
- Plugs Located at Either End of Light Bar Allow for Convenient Wiring and Installation
- Daisy Chain Wiring Capable – Several Lights can be Connected Together from a Single Power Source.
- Patented mount can be positioned anywhere along the track in the base of light, featuring a pivoting design for endless adjustability.
- Mounts can be configured for Horizontal, Vertical, or Side Mounting.

**LASER STAR**

# ENTERPRISE

## 10 WATT LED

The Enterprise series 10 WATT LED is our top performing LED product line. A go-to for racers and hard core off-roaders, Enterprise features industry leading Cree® XM-L 10-Watt LED's, which produces 1,000 Lumens while drawing minimal amperage. LED's utilize solid state technology instead of filaments or arcs; this ensures extreme durability and reliable lighting that will last for years.

Each light has a proprietary gasket and vacuum seal which passes rigorous quality testing to be IP68 and 8.6g vibration compliant.

### Features

- Compact 2.57" profile
- 10 Watt Cree® XM-L LED technology
- 1,000 Lumens per LED
- 50,000 hour life rating
- 95% efficiency
- Voltage: 9-32 Volts AC/DC input
- Operating temp -104 F ~ +122 F
- Aluminum construction
- Polycarbonate lens
- Lengths available: 6" - 50"
- Beam options: Spot, Flood or Combi
- Combi beam is a combination of spot & flood reflectors together in a single light bar

### Benefits

- Highest quality construction
- Longitudinal slide-trac mount
- 8mm mounting bolt
- Deutsch Connectors (except 50")
- Dual power input for Daisy Chain Wiring (except 50")
- Warranty - Limited Lifetime
- Backed by a family company for over 23 Years



**LAZER STAR**



100201



100401



100601 / 100602 / 100603



100801 / 100802 / 100803



101001 / 101002



101201 / 101202 / 101203



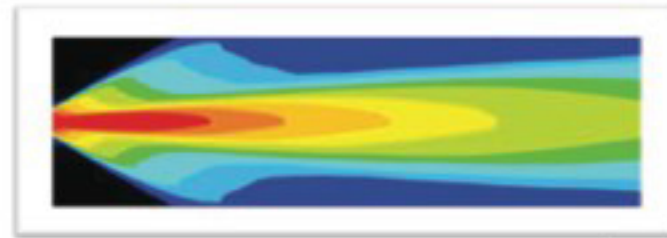
101603



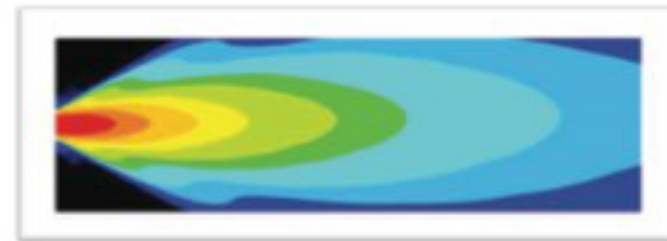
102001 / 102003



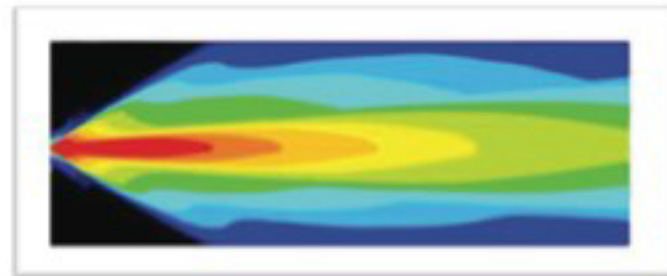
102601 / 102603



Spot



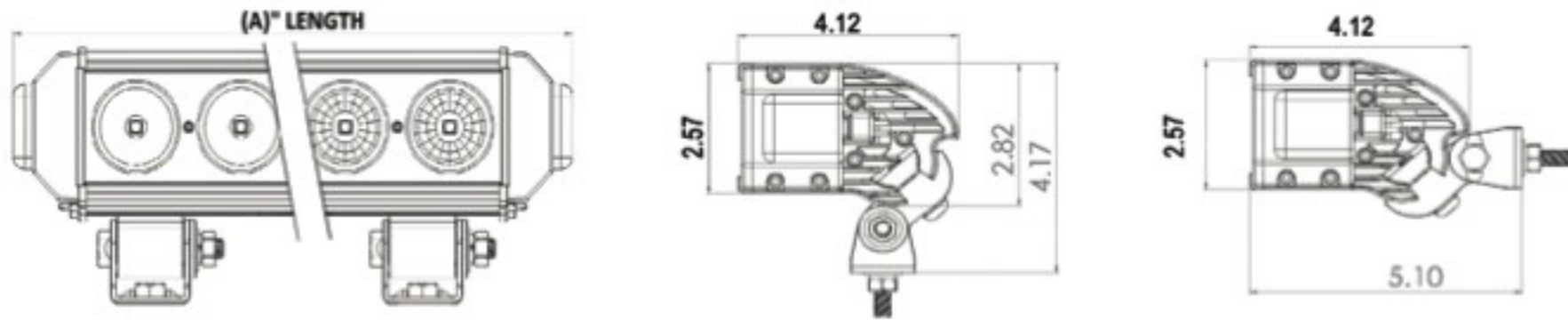
Flood



Combi







Part Number	Dimensions* (A)" Length	Beam Type Sp 10° / FI 36°	Pkg. Weight in Lbs.	Lumens**	Amp Draw @ 13.8v	LED Count	Watts
100201	6.0" L	Spot	3.25	2,000	0.79	2	20
100401	9.75" L	Spot	5.15	4,000	1.55	4	40
100601	13.25" L	Spot	6.5	6,000	2.4	6	60
100602	13.25" L	Flood	6.5	6,000	2.4	6	60
100603	13.25" L	Combi	6.5	6,000	2.4	6	60
100801	17.125" L	Spot	8	8,000	3.23	8	80
100802	17.125" L	Flood	8	8,000	3.23	8	80
100803	17.125" L	Combi	8	8,000	3.23	8	80
101001	20.75" L	Spot	9.75	10,000	4.03	10	100
101002	20.75" L	Flood	9.75	10,000	4.03	10	100
101201	24.5" L	Spot	11	12,000	4.99	12	120
101202	24.5" L	Flood	11	12,000	4.99	12	120
101203	24.5" L	Combi	11	12,000	4.99	12	120
101603	31.75" L	Combi	12.9	16,000	6.81	16	160
102001	38.875" L	Spot	16.1	20,000	8.78	20	200
102003	38.875" L	Combi	16.1	20,000	8.78	20	200
102601	50.125" L	Spot	21.95	26,000	12.5	26	260
102603	50.125" L	Combi	21.95	26,000	12.5	26	260

\* All Light Bars measure 2.57"H x 4.12"D

\*\* Raw Lumen is based on LED manufacturer specifications

# ENDEAVOUR

## 3 WATT DOUBLE ROW

The Endeavour series 3 WATT DOUBLE ROW is the industry standard configuration in LED light bars. Lazer Star has taken this to the next level by utilizing Cree® XP-E2 LED technology. Lazer Star's commitment to using the best LED on the market and not over powering it translates to greater efficiency, higher quality of light output, and superior longevity of the individual LED.

Each light has a proprietary vacuum seal which passes rigorous quality testing to be 8.6g vibration and IP68 compliant.

### Features

- Compact 2.57" profile
- 3 Watt Cree® XP-E2 LED technology
- 300 Lumen's per LED
- 50,000 hour life rating
- 95% efficiency
- Voltage: 9-32 Volts AC/DC input
- Operating temp -104 F ~ +122 F
- Aluminum construction
- Polycarbonate lens
- Lengths available: 4" - 52"
- Beam options: Spot, Flood or Combi
- Combi beam is a combination of spot & flood reflectors together in one light bar

### Benefits

- Highest quality construction
- Longitudinal slide-trac mount
- 8mm mounting bolt
- Deutsch Connectors (except 52")
- Dual power input for Daisy Chain Wiring
- Warranty - Limited Lifetime
- Backed by a family company for over 23 Years





**LAZER STAR**



5 WATT

2504019 / 2504029



2304019 / 2304029



230801 / 230802



231201 / 231202



232001



234001 / 234002



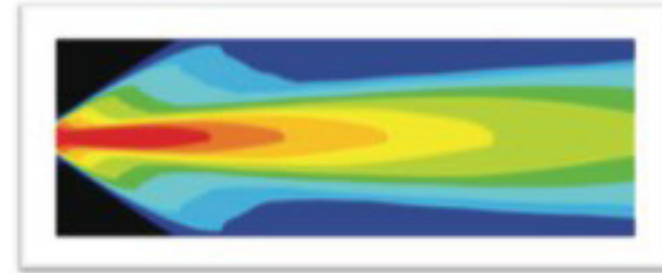
236001 / 236003



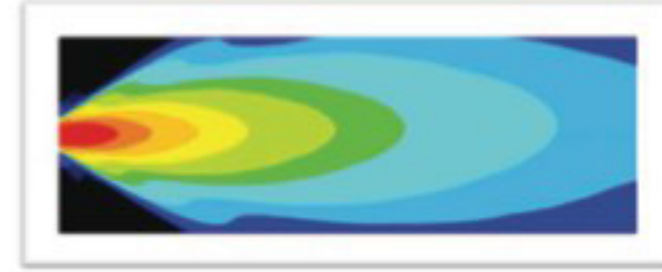
238001 / 238003



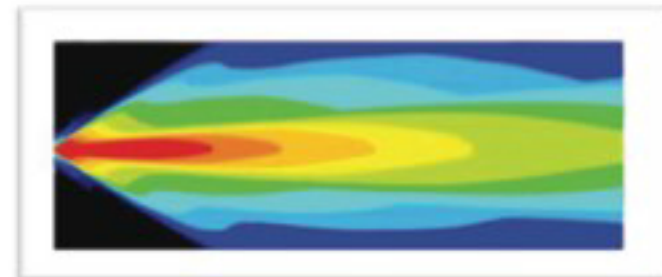
2310003



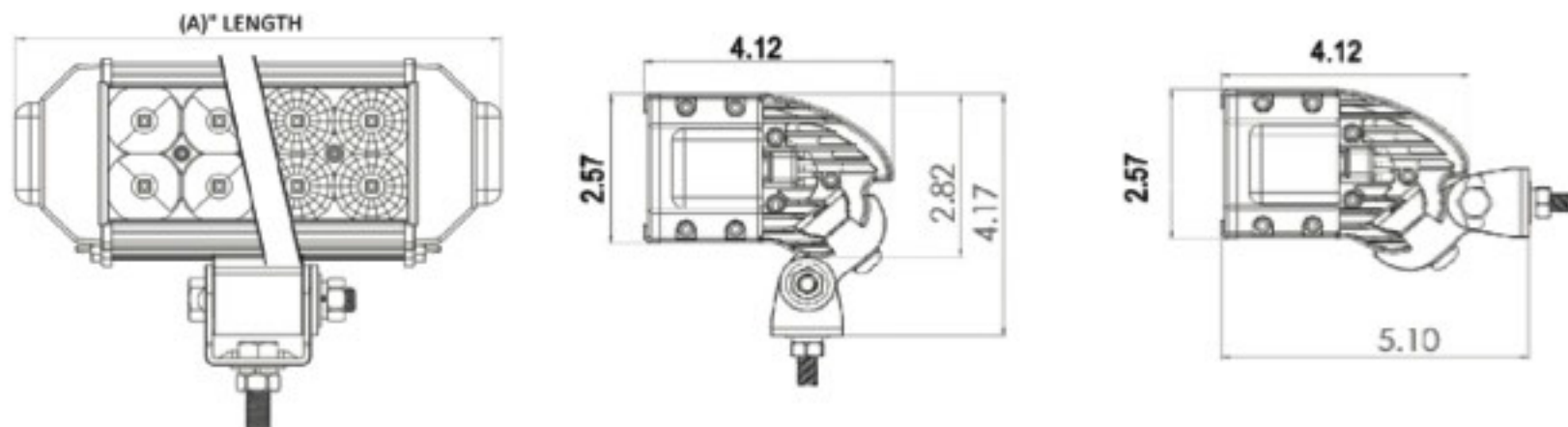
Spot



Flood



Combi



Part Number	Dimensions* (A)" Length	Beam Type Sp 10° / FI 36°	Pkg. Weight in Lbs.	Lumens**	Amp Draw @ 13.8v	LED Count	Watts
2504019	4.25" L	Spot	5.25	4,000 / Pr.	1.73 / Pr.	4 / Ea.	40 / Pr.
2504029	4.25" L	Flood	5.25	4,000 / Pr.	1.73 / Pr.	4 / Ea.	40 / Pr.
2304019	4.25" L	Spot	5.25	2,400 / Pr.	.42 / Pr.	4 / Ea.	24 / Pr.
2304029	4.25" L	Flood	5.25	2,400 / Pr.	.42 / Pr.	4 / Ea.	24 / Pr.
230801	6.25" L	Spot	4.2	2,400	0.85	8	24
230802	6.25" L	Flood	4.2	2,400	0.85	8	24
231201	8.25" L	Spot	4.3	3,600	1.31	12	36
231202	8.25" L	Flood	4.3	3,600	1.31	12	36
232001	12.25" L	Spot	6.6	6,000	2.25	20	60
234001	22.50" L	Spot	11	12,000	4.44	40	120
234002	22.50" L	Flood	11	12,000	4.44	40	120
236001	32.50" L	Spot	15	18,000	6.88	60	180
236003	32.50" L	Combi	15	18,000	6.88	60	180
238001	42.63" L	Spot	19.5	24,000	9.68	80	240
238003	42.63" L	Combi	19.5	24,000	9.68	80	240
231003	52.63" L	Combi	24	30,000	12.8	100	300

\* All Light Bars measure 2.57"H x 4.12"D

\*\* Raw Lumen is based on LED manufacturer specifications

# ATLANTIS®

## 3 WATT SINGLE ROW

The Atlantis series 3 WATT SINGLE ROW, features Cree® XP-E2 LED technology in a single row light bar that measures in at only 1-3/4" tall making it one of the slimmest, most powerful light bars on the market today. Offered in a wide variety of lengths from 6" to 50", Atlantis is the perfect solution for automotive or powersports enthusiasts.

### Marine

Atlantis series also comes with a marine-grade finish specifically designed to withstand the harsh conditions of constant contact with moisture and corrosive salt-air environments. Great for use on wakeboard or deep sea fishing towers. Stay out on the water later or get out earlier with the power of light.

Each light has a proprietary vacuum seal which passes rigorous quality testing to be IP68 and 8.6g vibration compliant.

### Features

- Compact 1-3/4" profile
- 3 Watt Cree® XP-E2 LED technology
- 300 Lumen's per LED
- 50,000 hour life rating
- 95% efficiency
- Voltage: 9-32 Volts AC/DC input
- Operating temp -104 F ~ +122 F
- Aluminum construction
- Polycarbonate lens
- Lengths available: 6" - 50"
- Beam options: Spot, Flood or Combi
- Combi beam is a combination of spot & flood reflectors together in one light bar

### Benefits

- Highest quality construction
- Longitudinal side-trac mount
- 8mm mounting bolt
- Deutsch Connectors
- Dual power input for Daisy Chain Wiring
- Warranty - Limited Lifetime
- Backed by a family company for over 23 Years

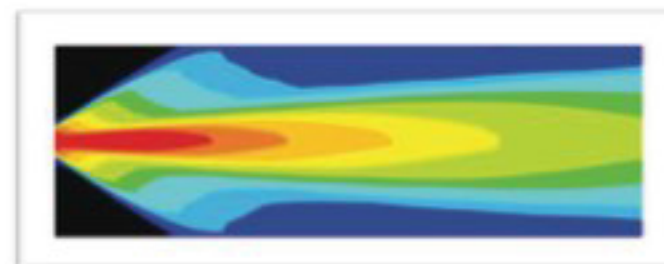




**LAZER STAR**



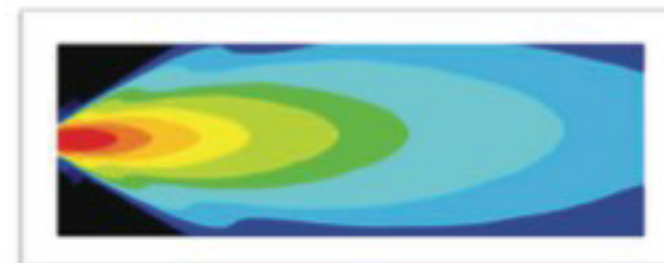
130401 / 130402 / 13040107 / 13040207



Spot



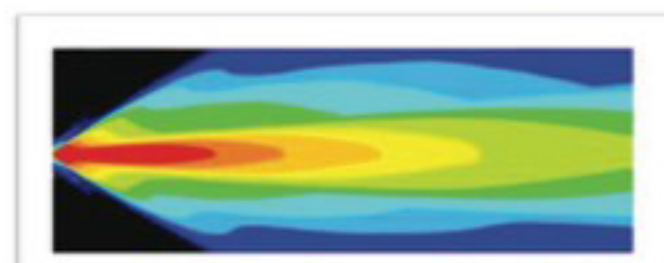
130801 / 130802



Flood



131201 / 131202



Combi



131601 / 131602



132401 / 132402 / 132403 / 13240107 / 13240307



13280107



133201 / 133203 / 13320307



134001 / 134003



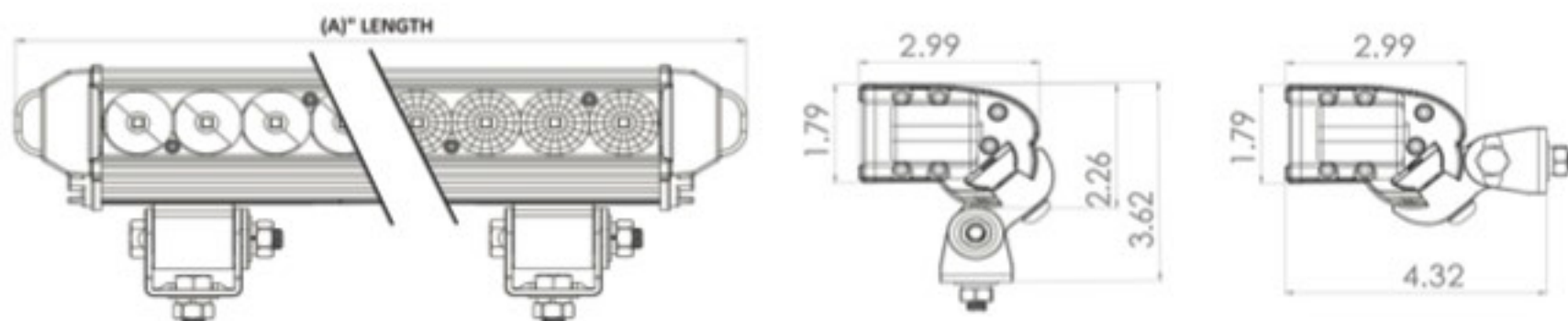
134803





# LX LED

BY LAZER STAR



Part Number	Dimensions* (A)\" Length	Beam Type Sp 10° / FI 36°	Pkg. Weight in Lbs.	Lumens**	Amp Draw @ 13.8v	LED Count	Watts
<b>130401</b>	<b>6.50\" L</b>	<b>Spot</b>	<b>2.7</b>	<b>1,200</b>	<b>0.44</b>	<b>4</b>	<b>12</b>
<b>130402</b>	<b>6.50\" L</b>	<b>Flood</b>	<b>2.7</b>	<b>1,200</b>	<b>0.44</b>	<b>4</b>	<b>12</b>
<b>130801</b>	<b>10.50\" L</b>	<b>Spot</b>	<b>4.25</b>	<b>2,400</b>	<b>0.86</b>	<b>8</b>	<b>24</b>
<b>130802</b>	<b>10.50\" L</b>	<b>Flood</b>	<b>4.25</b>	<b>2,400</b>	<b>0.86</b>	<b>8</b>	<b>24</b>
<b>131201</b>	<b>14.875\" L</b>	<b>Spot</b>	<b>6</b>	<b>3,600</b>	<b>1.28</b>	<b>12</b>	<b>36</b>
<b>131202</b>	<b>14.875\" L</b>	<b>Flood</b>	<b>6</b>	<b>3,600</b>	<b>1.28</b>	<b>12</b>	<b>36</b>
<b>131601</b>	<b>18.50\" L</b>	<b>Spot</b>	<b>6.8</b>	<b>4,800</b>	<b>1.79</b>	<b>16</b>	<b>48</b>
<b>131602</b>	<b>18.50\" L</b>	<b>Flood</b>	<b>6.8</b>	<b>4,800</b>	<b>1.79</b>	<b>16</b>	<b>48</b>
<b>132401</b>	<b>26.75\" L</b>	<b>Spot</b>	<b>9.45</b>	<b>7,200</b>	<b>2.66</b>	<b>24</b>	<b>72</b>
<b>132402</b>	<b>26.75\" L</b>	<b>Flood</b>	<b>9.45</b>	<b>7,200</b>	<b>2.66</b>	<b>24</b>	<b>72</b>
<b>132403</b>	<b>26.75\" L</b>	<b>Combi</b>	<b>9.45</b>	<b>7,200</b>	<b>2.66</b>	<b>24</b>	<b>72</b>
<b>133201</b>	<b>34.75\" L</b>	<b>Spot</b>	<b>11.7</b>	<b>9,600</b>	<b>3.72</b>	<b>32</b>	<b>96</b>
<b>133203</b>	<b>34.75\" L</b>	<b>Combi</b>	<b>11.7</b>	<b>9,600</b>	<b>3.72</b>	<b>32</b>	<b>96</b>
<b>134001</b>	<b>42.875\" L</b>	<b>Spot</b>	<b>13.55</b>	<b>12,600</b>	<b>4.65</b>	<b>40</b>	<b>120</b>
<b>134003</b>	<b>42.875\" L</b>	<b>Combi</b>	<b>13.55</b>	<b>12,600</b>	<b>4.65</b>	<b>40</b>	<b>120</b>
<b>134803</b>	<b>50.75\" L</b>	<b>Combi</b>	<b>15.65</b>	<b>14,400</b>	<b>5.7</b>	<b>48</b>	<b>144</b>

## Marine Finish

<b>13040107</b>	<b>6.50\" L</b>	<b>Spot</b>	<b>2.7</b>	<b>1,200</b>	<b>0.44</b>	<b>4</b>	<b>12</b>
<b>13040207</b>	<b>6.50\" L</b>	<b>Flood</b>	<b>2.7</b>	<b>1,200</b>	<b>0.44</b>	<b>4</b>	<b>12</b>
<b>13240107</b>	<b>26.75\" L</b>	<b>Spot</b>	<b>9.45</b>	<b>7,200</b>	<b>2.67</b>	<b>24</b>	<b>72</b>
<b>13240307</b>	<b>26.75\" L</b>	<b>Combi</b>	<b>9.45</b>	<b>7,200</b>	<b>2.67</b>	<b>24</b>	<b>72</b>
<b>13280107</b>	<b>30.60\" L</b>	<b>Spot</b>	<b>6.93</b>	<b>8,400</b>	<b>4.48</b>	<b>28</b>	<b>84</b>
<b>13320307</b>	<b>34.75\" L</b>	<b>Combi</b>	<b>11.7</b>	<b>9,600</b>	<b>3.72</b>	<b>32</b>	<b>96</b>

All Light Bars measure 1.79\"H x 2.99\"D  
 \* Raw Lumen is based on LED manufacturer specifications

**LAZER STAR**

# ***RACER SPECIAL/ RACER TAIL LED LIGHTS***

## **Designed Specifically with Racing in Mind Racer Tail are Best in the Desert Compliant**

Lazer Star LED Racer Special combines superior light output with unmatched durability to give you light you can rely on under the harsh conditions of racing.

### **Racer Special LED Driving Light Bars**

The Original amber-to-white swapping LED light bar. The Racer Special uses Cree 3 Watt LED's, that offer superior output at 300 lumens per LED. Special two-circuit wire kit sold separately. Available in 3 Lengths:

- Top row; white LED
- Bottom row; amber LED
- Configured to work independently from each other – 2-circuit Wire Kit recommended – See Electronics; Wire Kits

### **Atlantis Racer Tail Light Bar**

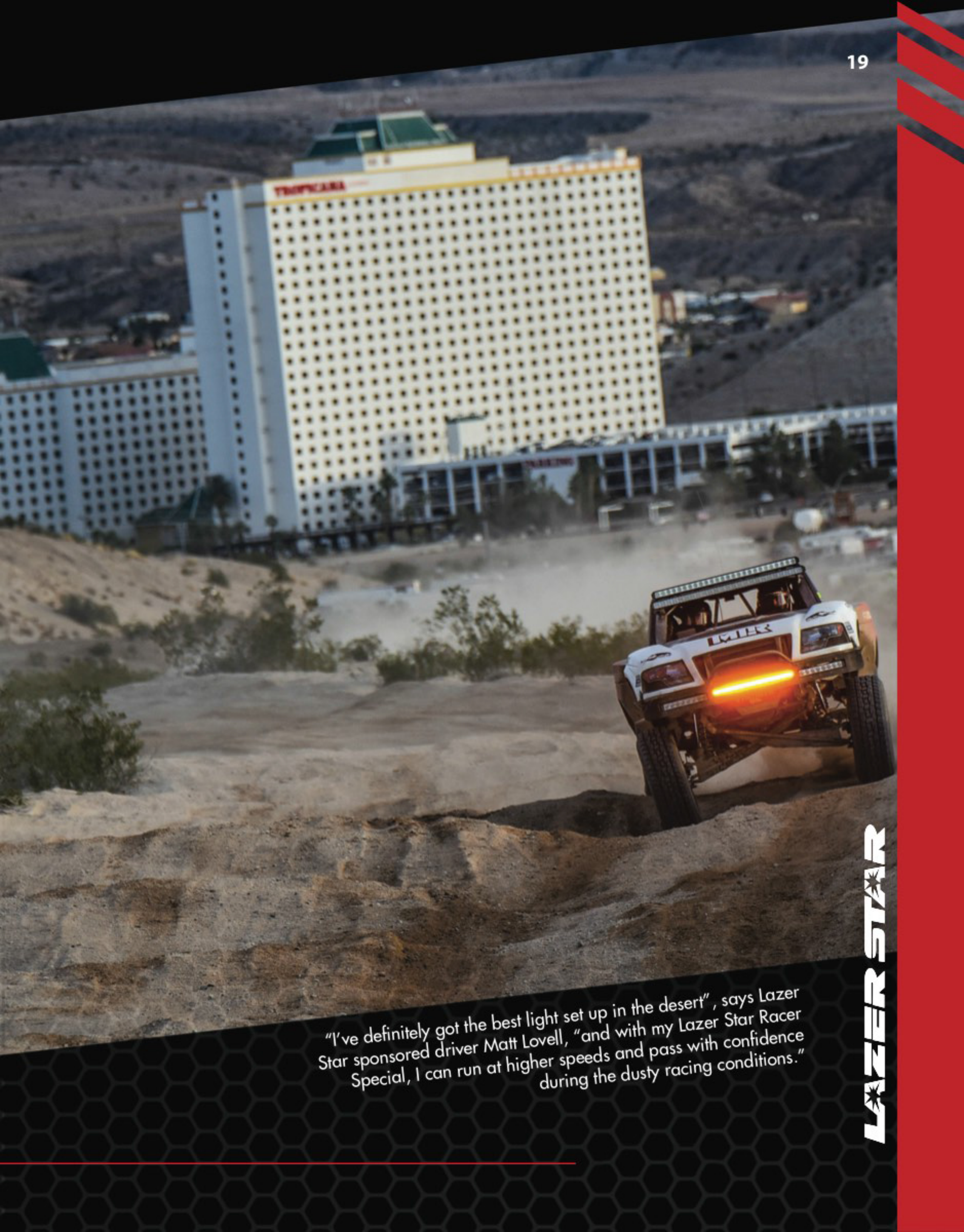
Multi-Color Racer Tail LED Light Bars are available in 2 versions; both are a single light bar solution which are best in the desert complaint - safety with taillights and safety only. The safety function is the same on both lights; safety with taillight includes a section of red LED on each end that functions as run/brake.

- Racer safety light bar
- One amber left section – flashes
- One blue middle section – steady on (wired independently)
- One amber right section – steady on
- Racer safety light bar with tail lights is the same configuration as above.
- Added left and right red LED sections on the ends to use as tail/brake function.

### **Atlantis Single-Color Light Bars**

- Red 3-Watt 6" LED – Can be used with our tailLight converter (Part #LSWC808) for run/brake configuration
- Amber 3-Watt LED Light Bars - Offered in 6" & 12" lengths
- Atlantis 6" available in 4 colors:
- Amber, red or blue
- White (see standard Atlantis series page)





"I've definitely got the best light set up in the desert", says Lazer Star sponsored driver Matt Lovell, "and with my Lazer Star Racer Special, I can run at higher speeds and pass with confidence during the dusty racing conditions."

**LAZER STAR**



13040104 / 13040204



13040205



13040208



13080104



Compliant Tail Light

RACER TAIL 3 WATT MULTI-FUNCTION



1312024

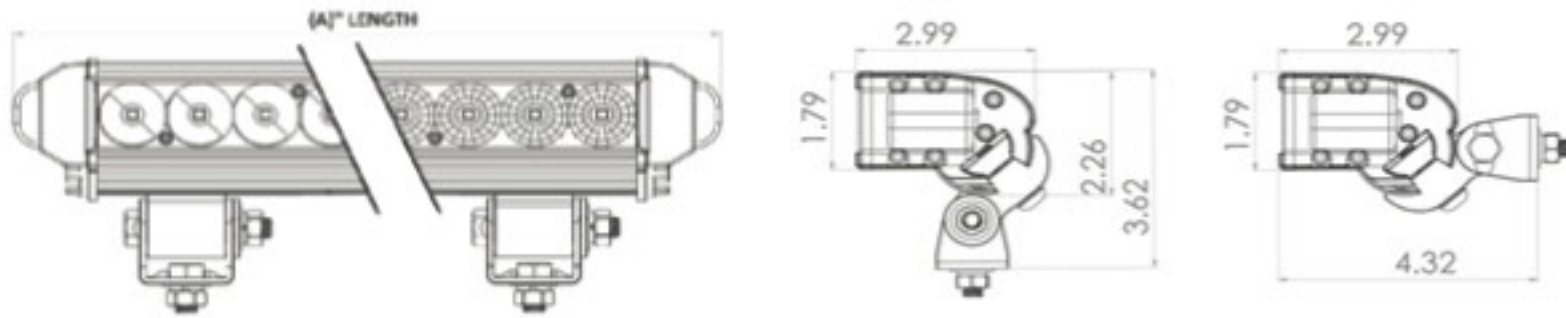
Left Amber Flashes / Blue Steady /  
Right Amber Steady



1320023

Red Ends are Run & Brake / Left  
Amber Flashes / Blue Steady /  
Right Amber Steady





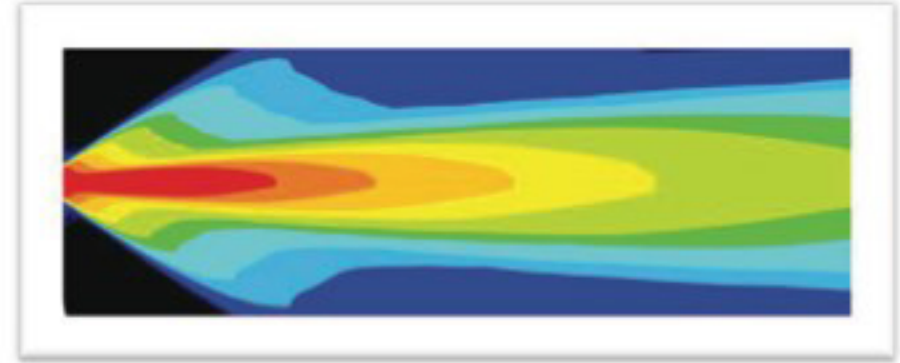
Part Number	Dimensions* (A)" Length	Beam Type Sp 10° / FI 36°	Pkg. Weight in Lbs.	Lumens**	Amp Draw @13.8v	LED Count	Watts	LED Color
13040104	6.50" L	Spot	2.7	1,200	0.44	4	12	Amber
13040204	6.50" L	Flood	2.7	1,200	0.44	4	12	Amber
13040205	6.50" L	Flood	2.7	1,200	0.44	4	12	Red
13040208	6.50" L	Flood	2.7	1,200	0.44	4	12	Blue
13080104	10.50" L	Spot	4.25	2,400	0.86	8	24	Amber
1312024	14.375" L	Flood	6.6	3,600	-	12	36	A/B/A
1320023	22.625" L	Flood	8.1	6,000	-	20	60	R/A/B/A/R

\* All Light Bars measure 1.79"H x 2.99"D

\*\* Raw Lumen is based on LED manufacturer specifications



23080



Spot

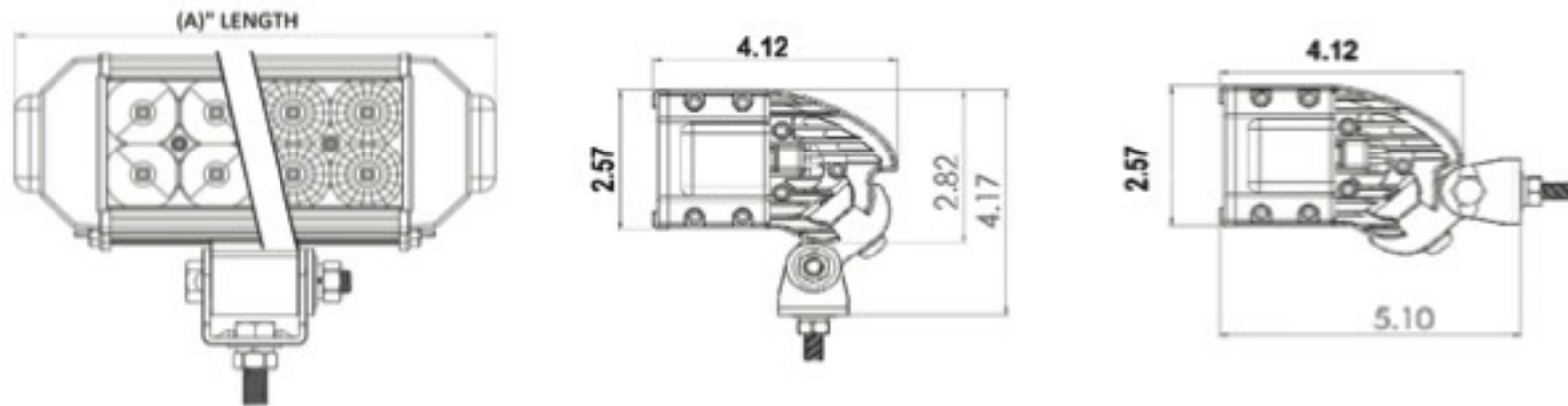


23200



23520





Part Number	Dimensions* (A)" Length	Beam Type Sp 10° / FI 36°	Pkg. Weight in Lbs.	Lumens**	Amp Draw @13.8v	LED Count	Watts
23080	6.25" L	Spot	4.2	1,300 / Row	.32 / Row	4 / Row	12 / Row
23200	12.25" L	Spot	6.6	3,000 / Row	.80 / Row	10 / Row	30 / Row
23520	28.50" L	Spot	14	7,800 / Row	12.2 / Row	26 / Row	78 / Row

\* Endeavour Light Bars measure 2.57"H x 4.12"D

\*\* Raw Lumen is based on LED manufacturer specifications

Racer Special Wire Kit Sold Separately PN:LSW1820

# UTILITY/ MULTI-PURPOSE

Multi-Purpose LX LED lights are offered a wide variety of solutions for Utility, Agriculture, and a variety of off-road and on-road solutions.

Multi-Purpose LED lights are designed to relieve the stress of night time or underground operations. These extremely rugged LED products are the ideal lighting solution for a wide range of automotive, Powersports, and industrial applications. Quality construction and outstanding performance are the benchmarks of LX LED lights, in order to stand-up under the harsh environments you work and play in. Spot or Flood beams with a variety of power and shape options will meet your needs.

## Features

Choice of 10 Watt or 3 Watt technology

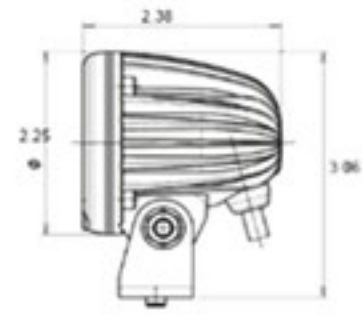
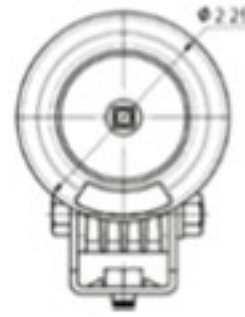
- Cree® LED technology
- 50,000 hour life rating
- 95% efficiency
- Voltage: 9-32 Volts AC/DC input
- Operating temp -104 F ~ +122 F
- Polycarbonate lens
- Durable aluminum construction
- Adjustable pedestal mounting
- Deutsch Connectors
- Optimized beam patterns in Spot or Flood
- Easy and quick installation
- High standard IP68 compliant
- Limited Lifetime Warranty



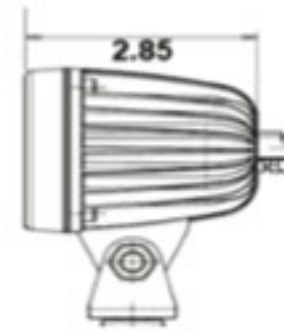
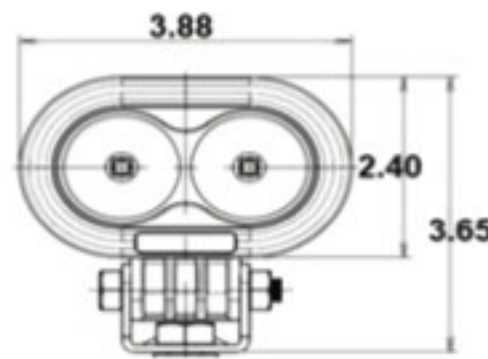




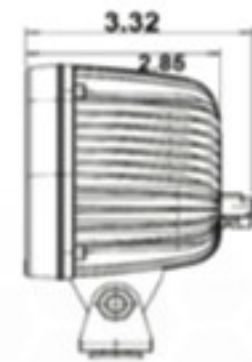
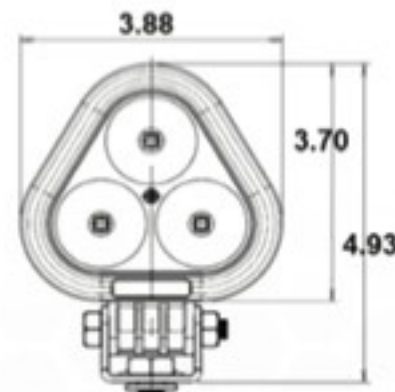
**LAZER STAR**



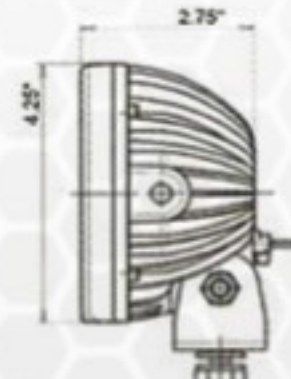
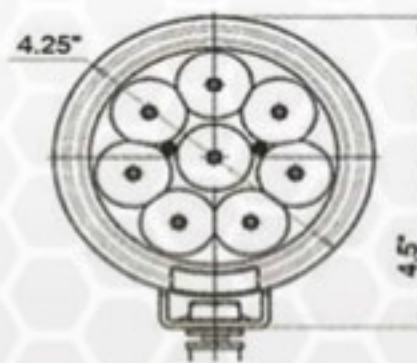
2001019 / 2001029



200201 / 200202

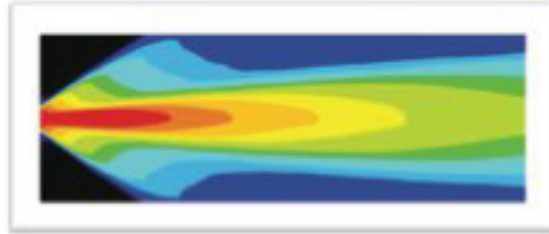


200301 / 200302

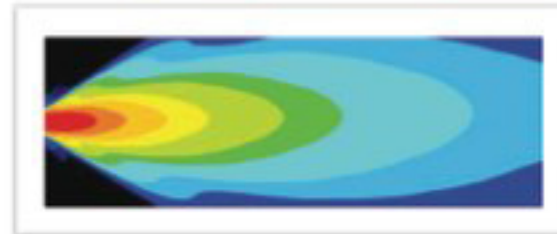


330801 / 330802





Spot



Flood

Part Number	Dimensions	Beam Type Sp 10° / Fl 36°	Pkg. Weight in Lbs.	Lumens**	Amp Draw @ 13.8v	LED Count	Watts
<b>2001019</b>	3.069" H x 2.38" D x 2.25" W	Spot	1.16	1,000 / Ea.	.37 / Ea.	1 / Ea.	10 / Ea.
<b>2001029</b>	3.069" H x 2.38" D x 2.25" W	Flood	1.16	1,000 / Ea.	.37 / Ea.	1 / Ea.	10 / Ea.
<b>200201</b>	2.40" H x 3.32" D x 3.88" W	Spot	1.11	2,000	0.88	2	20
<b>200202</b>	2.40" H x 3.32" D x 3.88" W	Flood	1.11	2,000	0.88	2	20
<b>200301</b>	4.93" H x 3.32" D x 3.88" W	Spot	1.42	3,000	1.09	3	30
<b>200302</b>	4.93" H x 3.32" D x 3.88" W	Flood	1.42	3,000	1.09	3	30
<b>330801</b>	4.5" H x 2.75" D x 4.25" W	Spot	2.08	2,400	1.01	8	24
<b>330802</b>	4.5" H x 2.75" D x 4.25" W	Flood	2.08	2,400	1.01	8	24

\*\* Raw Lumen is based on LED manufacturer specifications

# PRERUNNER LED

## An LED Lighting Solution that Offers: Performance, Quality and Value

PreRunner LED provides customers with lights they can count on at a price they can afford. With the emergence of inferior products offered 'Direct from China' various bargain sites, Lazer Star Lights saw a need to provide dealers and consumers with a price conscience product line that was dependable and plenty rugged enough for the enthusiast off roader. PreRunner LED upholds the commitment from Lazer Star to offer fit, form, function and reliability our family has provided for nearly 25 years.

Turnkey package includes light, wire kit w/relay, switch, covers and both base and side mounting solutions IN THE BOX.

## Contact your local Lazer Star Lights/PreRunner LED dealer today

### Features

- 3 Watt X Series Cree LED
- 5 Watt XTE Series Cree LED (cubes)
- Voltage: 12-30V
- Color Temp: 6000 Kelvin
- Beam: Spot/Flood/Combi
- Extruded aluminum housing
- Polycarbonate lens
- Stainless steel hardware
- IP67

### Benefits

- Affordable LED solution
- Superior optics – No hot spots
- Durable construction
- Corrosion resistant
- Dust & water tight
- High impact lens protection
- 30,000+ hours of continuous use
- Backed by a family company
- 3 Year Limited Warranty



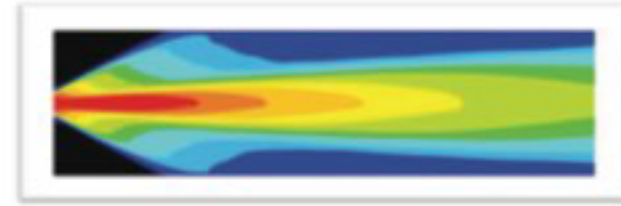


**LAZER STAR**



5 WATT

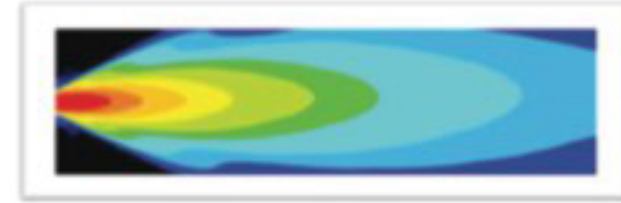
77250401\*/77250402\*



Spot



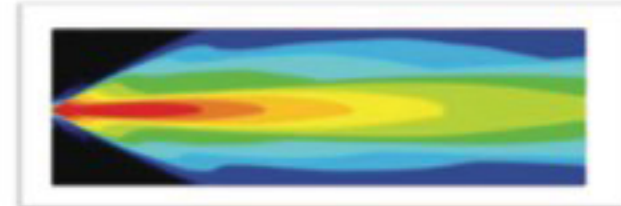
77230701/230702



Flood



77231201/77231202



Combi



77232003



77233003



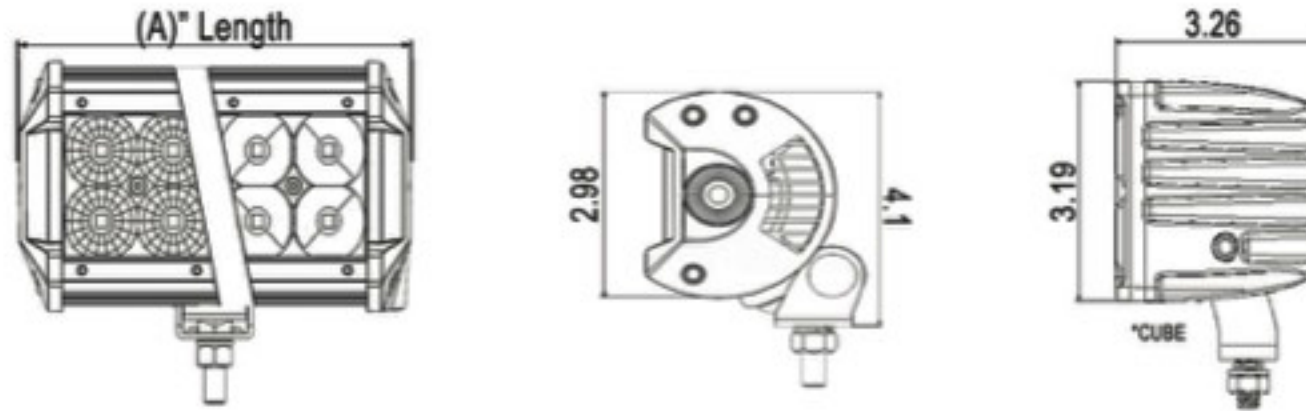
77234003



77235003

# PRERUNNER LED

BY LAZER STAR®



Part Number	Dimensions** (A)" Length	Beam Type Sp 10° / FI 36°	Pkg. Weight in Lbs.	Lumens***	Amp Draw @ 13.8v	LED Count	Watts
77250401*	3.2" L	Spot	3.85	4000 / Pr.	1.66 / Pr.	4 Ea.	40 / Pr.
77250402*	3.2" L	Flood	3.85	4000 / Pr.	1.66 / Pr.	4 Ea.	40 / Pr.
77230701	6.6" L	Spot	3.8	3,600	3	12	36
77230702	6.6" L	Flood	3.8	3,600	3	12	36
77231201	12" L	Spot	5.3	7,200	6	24	72
77231202	12" L	Flood	5.3	7,200	6	24	72
77232003	19.8" L	Combi	7.6	12,600	10.5	42	126
77233003	30.6" L	Combi	11.05	19,800	16.5	66	198
77234003	38.7" L	Combi	13.2	25,200	21	84	252
77235003	49.4" L	Combi	16.05	32,400	27	108	324

\*Sold in Pairs

\*\* All Light Bars measure 2.9"H x 4.2"D

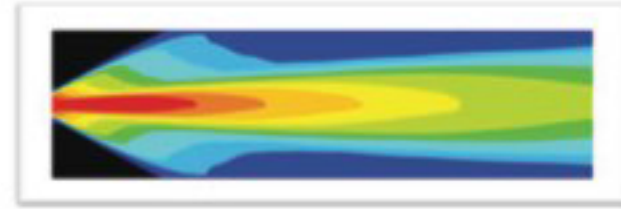
\*\*\* Raw Lumen is based on LED manufacturer specifications



LAZER STAR



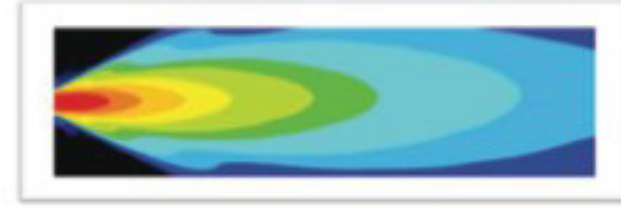
77130401 / 77130402



Spot



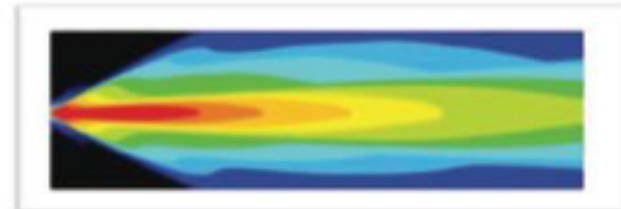
77131101 / 77131102



Flood



77132003



Combi



77133003



77134003



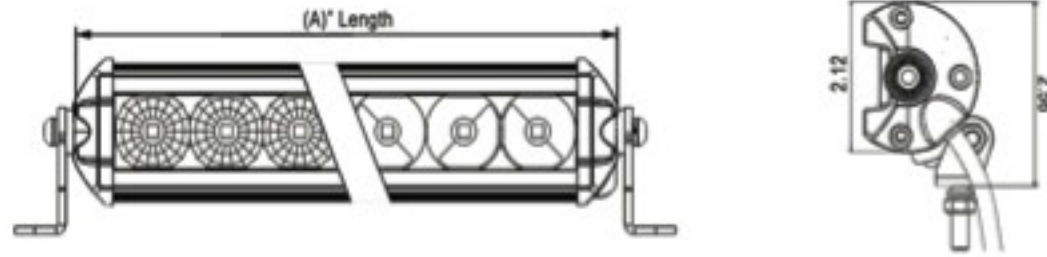
77135003





# PRERUNNER LED

BY LAZER STAR®



Part Number	Dimensions* (A)" Length	Beam Type Sp 10° / FI 36°	Pkg. Weight in Lbs.	Lumens**	Amp Draw @13.8v	LED Count	Watts
77130401	4.4" L	Spot	2.35	900	0.75	3	9
77130402	4.4" L	Flood	2.35	900	0.75	3	9
77131101	10.7" L	Spot	3.05	2,700	2.25	27	27
77131102	10.7" L	Flood	3.05	2,700	2.25	27	27
77132003	20.3" L	Combi	4.85	5,400	4.5	18	54
77133003	29.9" L	Combi	6.45	8,100	6.75	27	90
77134003	39.4" L	Combi	7.85	10,800	9	36	108
77135003	49" L	Combi	9.3	13,500	11.25	45	135

\* All Light Bars measure 1.79"H x 2.9"D

\*\* Raw Lumen is based on LED manufacturer specifications



# BILLET LIGHTS

The Billet Light series represent Lazer Star Lights original product line introduced in 1993. This product line has always been hand-assembled in our own facility with parts procured and machined locally. The cornerstone of Billet Lights is the ability to outshine stock lighting by at least 30%, in a housing that is a fraction of the size. The circular beam pattern optics we utilize in spot or flood beam types makes Lazer Star the perfect on-road and off-road lighting solution.

- CNC Machined From solid 6061 Billet aluminum
- Quartz or Borosilicate Lenses
- Pivot mount is standard on all driving light configurations
- Rigid mount is the popular choice for turn signal applications
- Chrome/polish/black anodize finishes available
- Wire Kits and load equalizers available

## **Bullet 2-1/4" Diameter X 3-1/2" Long & Shorty 2-1/4" Diameter X 2-1/2" Long**

- 35-Watt and 50-Watt driving lights
- 75-Watt and 100-Watt off road lights
- 20-Watt halogen turn signal
- Amber or red LED turn signal/brake light
- Rigid mount solution with 5/16-24 thread
- Pivot mount solution with 3/8-16 thread

## **Micro B 1-9/16" Diameter X 2-7/16" Long**

- 35-Watt driving lights
- 20-Watt halogen turn signals
- Amber or red LED turn signal/brake light
- Rigid mount solution with 5/16-24 thread
- Pivot mount solution with 5/16-18 thread
- Micro B Point version pointed body and bezel also available

## **XS 1-3/16" Diameter X 1-7/8" Long**

- Amber or red LED turn signal/brake light
- Rigid mount only
- XS Point version with pointed body and bezel also available

## **Orion 4-3/4" Diameter X 6" Long**

- H4 DOT approved headlight
- Driving light in spot or flood
- 35-Watt, 55-Watt and 100-Watt H3 bulb options
- Cold rolled high-carbon steel housing
- Billet aluminum bezel and mounting pieces

**MADE IN THE USA**

### HALOGEN LAMP CHART

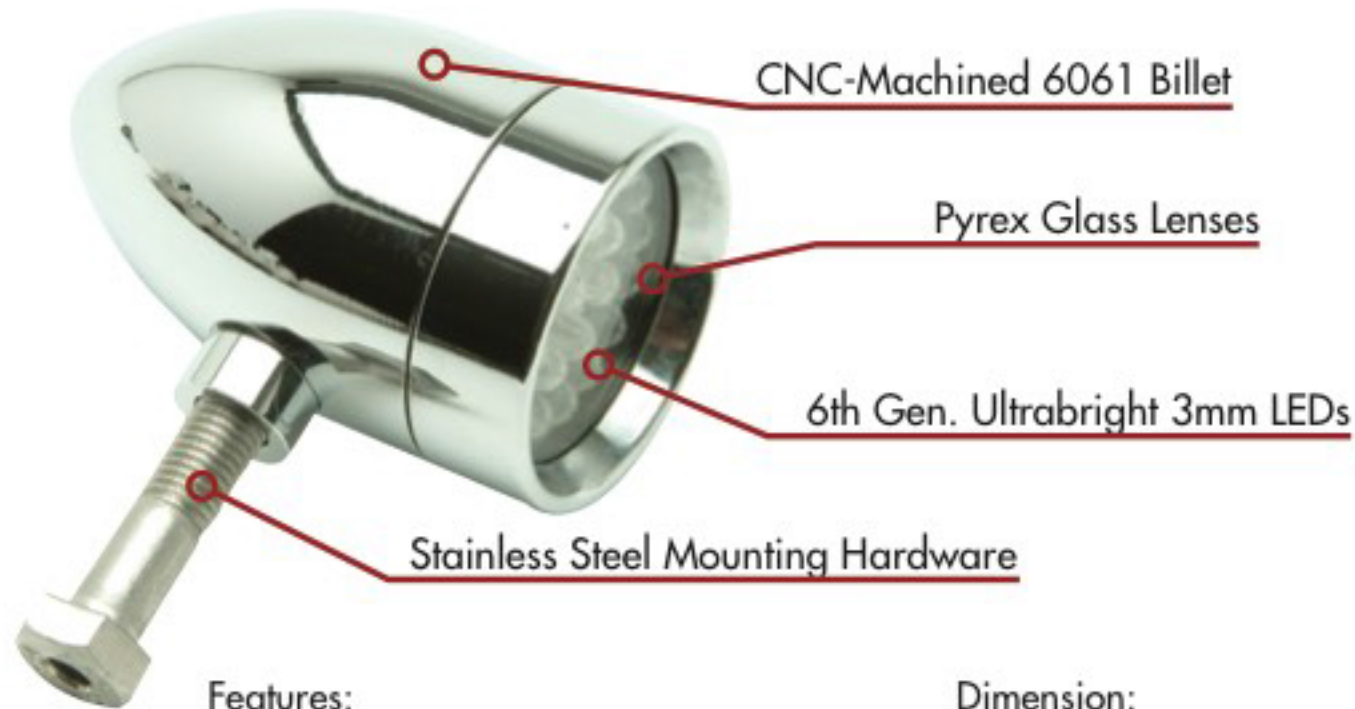
WATT	SPOT°	FLOOD°	AMPS
35	8	60	3.0
50	12	36	4.5
75	14	39	7.0
100	14	38	9.5



**LAZER STAR**

# LAZER STAR®

## BILLET LIGHTS



### Features:

- All Lazer Star Turn Signals Available with a High-Quality Chrome, Polished or Black Anodized Finish
- High-Temp Teflon® Coated Aircraft Quality Wire
- Pyrex Glass Lens
- All Halogen Lights Come Standard with Single Filament 20 Watt Flood Bulb
- All LED Lights are 3-Wire Dual Circuitry with a 3-Year Replacement Warranty

### Dimension:

Bullet: 2-1/4" Diameter x 3-1/2" Long  
 Shorty: 2-1/4" Diameter x 2-1/2" Long  
 Micro B: 1-9/16" Diameter x 2-7/16" Long  
 Micro B Point: 1-9/16" Diameter x 2-7/16" Long  
 XS: 1-3/16" Diameter x 1-7/8" Long

## 4 MOUNTING OPTIONS



### Rigid Mount

5/16-24 x 1 1/2" stainless steel hollow bolt & 5/16" spacer, best used when mounting to a flat location with rear access for wire exit and light tightening.



### Pivot Mount

4 way pivot 5/16-18 x 1" or 3/8-16 x 1" stainless steel mounting bolt with sealed wire hole, commonly used for universal mounting.



### Handlebar Mount

Ball joint allows light to mount to OEM Harley handlebar turn signal location. Can be used on any Pivot Mount style light.



### Diamond Base

Chromed billet base mates with stock light bars on H-D FL series motorcycles. Also sold separately to use with any 5/16-24 threaded light.





**XS Point LED**

Rigid Mount



**XS Point LED**

Rigid Mount



**XS LED**

Rigid Mount



**XS LED**

Rigid Mount



**Micro B Halogen**

H-D Handlebar Mount



**Micro B Point LED**

Rigid Mount



**Micro B LED**

Diamond Mount



**Micro B Halogen**

Pivot Mount

TYPE	FINISH			MOUNT STYLE				TECHNOLOGY	
	CHROME	BLACK	POLISHED	H-D HNDLBR	RIGID	PIVOT	DIAMOND	LED	HALOGEN
XS	○	○	○		○			○	
XS POINT	○	○			○			○	
MICRO B	○	○	○	○	○	○	○	○	○
MICRO B POINT	○	○			○			○	
SHORTY	○	○	○	○	○	○	○	○	○
BULLET	○	○	○	○	○	○	○	○	○



**Bullet LED**

Rigid Mount



**Bullet Halogen**

Pivot Mount



**Bullet Halogen**

Diamond Mount



**Shorty LED**

Rigid Mount



**Shorty LED**

Pivot Mount



**Shorty LED**

Standard Mount



**Shorty Halogen**

Rigid Mount

MICRO B



SHORTY



BULLET



Covers Available

ORION



# LAZER STAR®

## BILLET LIGHTS

### Light Options

### Part Numbers

Type	Beam	Amps @12v	Dimensions Dia. x L	Pkg. Weight	Polished Finish	Black Anodize	Chrome
<b>Micro B Series</b>							
35 Watt Flood	-	3	1-9/16" x 2-7/16"	.72 Lbs.	LSK3135	LSK3235	LSK38352
35 Watt Spot	-	3	1-9/16" x 2-7/16"	.72 Lbs.	LSK31352	LSK32352	LSK38352
<b>Shorty Series</b>							
100 Watt Spot	14°	9.5	2-1/4" x 2-1/2"	1.18 Lbs.	LSK41100	LSK42100	N/A
100 Watt Flood	38°	9.5	2-1/4" x 2-1/2"	1.18 Lbs.	LSK411002	LSK421002	N/A
75 Watt Spot	14°	7	2-1/4" x 2-1/2"	1.18 Lbs.	LSK4175	LSK4275	LSK4875
75 Watt Flood	39°	7	2-1/4" x 2-1/2"	1.18 Lbs.	LSK41752	LSK42752	LSK48752
50 Watt Spot	12°	4.5	2-1/4" x 2-1/2"	1.18 Lbs.	LSK4150	LSK4250	LSK4850
50 Watt Flood	36°	4.5	2-1/4" x 2-1/2"	1.18 Lbs.	LSK41502	LSK42502	LSK48502
35 Watt Spot	12°	3	2-1/4" x 2-1/2"	1.18 Lbs.	LSK4135	LSK4235	LSK4835
35 Watt Flood	60°	3	2-1/4" x 2-1/2"	1.18 Lbs.	LSK41352	LSK42352	LSK48352
<b>Bullet Series</b>							
100 Watt Spot	14°	9.5	2-1/4" x 3-1/2"	1.18 Lbs.	LSK11100	LSK12100	N/A
100 Watt Flood	38°	9.5	2-1/4" x 3-1/2"	1.18 Lbs.	LSK111002	LSK121002	N/A
75 Watt Spot	14°	7	2-1/4" x 3-1/2"	1.18 Lbs.	LSK1175	LSK1275	LSK1875
75 Watt Flood	39°	7	2-1/4" x 3-1/2"	1.18 Lbs.	LSK11752	LSK12752	LSK18752
50 Watt Spot	12°	4.5	2-1/4" x 3-1/2"	1.18 Lbs.	LSK1150	LSK1250	LSK1850
50 Watt Flood	36°	4.5	2-1/4" x 3-1/2"	1.18 Lbs.	LSK11502	LSK12502	LSK18502
35 Watt Spot	12°	3	2-1/4" x 3-1/2"	1.18 Lbs.	LSK1135	LSK1235	LSK1835
35 Watt Flood	60°	3	2-1/4" x 3-1/2"	1.18 Lbs.	LSK11352	LSK12352	LSK18352
<b>Orion Series</b>							
35 Watt Spot	6°	2.92	4-3/4" x 6"	3.12 Lbs.	N/A	N/A	FSR435
35 Watt Flood	35°	2.92	4-3/4" x 6"	3.12 Lbs.	N/A	N/A	FSR4352
55 Watt Spot	6°	4.58	4-3/4" x 6"	3.12 Lbs.	N/A	N/A	FSR455
55 Watt Flood	35°	4.58	4-3/4" x 6"	3.12 Lbs.	N/A	N/A	FSR4552
100 Watt Spot	6°	8.33	4-3/4" x 6"	3.12 Lbs.	N/A	N/A	FSR4100
100 Watt Flood	35°	8.33	4-3/4" x 6"	3.12 Lbs.	N/A	N/A	FSR41002
55/65 Headlight	DOT	4.58 / 5.42	4-3/4" x 6"	3.12 Lbs.	N/A	N/A	FSR442

**Extra's:**

**LSC1240**

Covers Fit Bullet & Shorty Style Lights

- 4 Way Adjustable Mounting

- Wire Kit Recommended - See Electrical Section: Pg. 79

- Tube & Fork Clamps Available - See Mounts Section: Pg. 85

MICRO B



PIVOT MOUNT



RIGID MOUNT



H-D DIAMOND BASE MOUNT



H-D HANDLEBAR MOUNT

SHORTY



PIVOT MOUNT



RIGID MOUNT



H-D DIAMOND BASE MOUNT

BULLET



PIVOT MOUNT



RIGID MOUNT



H-D DIAMOND BASE MOUNT





Light Options

Part Numbers

Type (20 Watt)	Amps @12v	Dimensions Dia. x L	Pkg. Weight	Polished Finish	Black Anodize	Chrome
<b>Micro B Series</b>						
Amber Pivot Mount	1.5	1-9/16" x 2-7/16"	.72 Lbs.	LSK3120A	LSK3220A	LSK3820A
Amber Rigid Mount	1.5	1-9/16" x 2-7/16"	.72 Lbs.	LSK3120A-R	LSK3220A-R	LSK3820A-R
Amber Diamond Base	1.5	1-9/16" x 2-7/16"	.72 Lbs.	N/A	N/A	LSK3820A-D
Amber H-D Handlebar	1.5	1-9/16" x 2-7/16"	.72 Lbs.	LSK3120A-H	LSK3220A-H	LSK3820A-H
Red Pivot Mount	1.5	1-9/16" x 2-7/16"	.72 Lbs.	LSK3120R	LSK3220R	LSK3820R
Red Rigid Mount	1.5	1-9/16" x 2-7/16"	.72 Lbs.	LSK3120R-R	LSK3220R-R	LSK3820R-R
Red Diamond Base	1.5	1-9/16" x 2-7/16"	.72 Lbs.	N/A	N/A	LSK3820R-D
Blue Pivot Mount	1.5	1-9/16" x 2-7/16"	.72 Lbs.	LSK3120B	LSK3220B	LSK3820B
<b>Shorty Series</b>						
Amber Pivot Mount	1.5	2-1/4" x 2-1/2"	1.18 Lbs.	LSK4120A	LSK4220A	LSK4820A
Amber Rigid Mount	1.5	2-1/4" x 2-1/2"	1.18 Lbs.	LSK4120A-R	LSK4220A-R	LSK4820A-R
Amber Diamond Base	1.5	2-1/4" x 2-1/2"	1.18 Lbs.	N/A	N/A	LSK4820A-D
Red Pivot Mount	1.5	2-1/4" x 2-1/2"	1.18 Lbs.	LSK4120R	LSK4220R	LSK4820R
Red Rigid Mount	1.5	2-1/4" x 2-1/2"	1.18 Lbs.	LSK4120R-R	LSK4220R-R	LSK4820R-R
Red Diamond Base	1.5	2-1/4" x 2-1/2"	1.18 Lbs.	N/A	N/A	LSK4820R-D
<b>Bullet Series</b>						
Amber Pivot Mount	1.5	2-1/4" x 3-1/2"	1.18 Lbs.	LSK1120A	LSK1220A	LSK1820A
Amber Rigid Mount	1.5	2-1/4" x 3-1/2"	1.18 Lbs.	LSK1120A-R	LSK1220A-R	LSK1820A-R
Amber Diamond Base	1.5	2-1/4" x 3-1/2"	1.18 Lbs.	N/A	N/A	LSK1820A-D
Red Pivot Mount	1.5	2-1/4" x 3-1/2"	1.18 Lbs.	LSK1120R	LSK1220R	LSK1820R
Red Rigid Mount	1.5	2-1/4" x 3-1/2"	1.18 Lbs.	LSK1120R-R	LSK1220R-R	LSK1820R-R
Red Diamond Base	1.5	2-1/4" x 3-1/2"	1.18 Lbs.	N/A	N/A	LSK1820R-D

Extra's:

- Most Applications Require Load Equalizer When Replacing OEM Turn Signals - See Electrical Section: Pg. 81
- Multi-Function Modules Available - See Electrical Section: Pg. 80
- Tube & Fork Clamps Available - See Mounts Section: Pg. 85



XS



RIGID MOUNT



RIGID MOUNT



POINT STYLE RIGID MOUNT

MICRO B



RIGID MOUNT



PIVOT MOUNT



POINT STYLE RIGID MOUNT



H-D DIAMOND BASE MOUNT



H-D HANDLEBAR

SHORTY



PIVOT MOUNT



RIGID MOUNT



H-D DIAMOND BASE MOUNT

BULLET



PIVOT MOUNT



RIGID MOUNT



H-D DIAMOND BASE MOUNT

# LAZER STAR®

## BILLET LIGHTS

### Light Options

### Part Numbers

Type	Amps @12v	Dimensions Dia. x L	Pkg. Weight	Polished Finish	Black Anodize	Chrome
<b>XS Series</b>						
Amber Rigid Mount	0.01	1-1/2" X 1-7/8"	.58 Lbs.	LSK6101A-R	LSK6201A-R	LSK6801A-R
Amber POINT Rigid Mount	0.01	1-1/2" X 1-7/8"	.58 Lbs.	LSK76101A-R	LSK76201A-R	LSK76801A-R
Red Rigid Mount	0.01	1-1/2" X 1-7/8"	.58 Lbs.	LSK6101R-R	LSK6201R-R	LSK6801R-R
Red POINT Rigid Mount	0.01	1-1/2" X 1-7/8"	.58 Lbs.	LSK76101R-R	LSK76201R-R	LSK76801R-R
<b>Micro B Series</b>						
Amber Pivot Mount	0.14	1-9/16" x 2-7/16"	.58 Lbs.	LSK3101A	LSK3201A	LSK3801A
Amber Rigid Mount	0.14	1-9/16" x 2-7/16"	.58 Lbs.	LSK3101A-R	LSK3201A-R	LSK3801A-R
Amber POINT Rigid Mount	0.14	1-9/16" x 2-7/16"	.58 Lbs.	LSK73101A-R	LSK3201A-R	LSK3801A-R
Amber Diamond Base	0.14	1-9/16" x 2-7/16"	.58 Lbs.	N/A	N/A	LSK3820A-D
Amber H-D Handlebar	0.14	1-9/16" x 2-7/16"	.58 Lbs.	LSK3101A-H	LSK3201A-H	LSK3801A-H
Red Pivot Mount	0.14	1-9/16" x 2-7/16"	.58 Lbs.	LSK3101R	LSK3201R	LSK3801R
Red Rigid Mount	0.14	1-9/16" x 2-7/16"	.58 Lbs.	LSK3101R-R	LSK3201R-R	LSK3801R-R
Red POINT Rigid Mount	0.14	1-9/16" x 2-7/16"	.58 Lbs.	LSK73101R-R	LSK3201R-R	LSK3801R-R
Red Diamond Base	0.14	1-9/16" x 2-7/16"	.58 Lbs.	N/A	N/A	LSK3801R-D
<b>Shorty Series</b>						
Amber Pivot Mount	0.22	2-1/4" x 2-1/2"	1.18 Lbs.	LSK4101A	LSK4201A	LSK4801A
Amber Rigid Mount	0.22	2-1/4" x 2-1/2"	1.18 Lbs.	LSK4101A-R	LSK4201A-R	LSK4801A-R
Amber Diamond Base	0.22	2-1/4" x 2-1/2"	1.18 Lbs.	N/A	N/A	LSK4801A-D
Red Pivot Mount	0.22	2-1/4" x 2-1/2"	1.18 Lbs.	LSK4101R	LSK4201R	LSK4801R
Red Rigid Mount	0.22	2-1/4" x 2-1/2"	1.18 Lbs.	LSK4101R-R	LSK4201R-R	LSK4801R-R
Red Diamond Base	0.22	2-1/4" x 2-1/2"	1.18 Lbs.	N/A	N/A	LSK4801R-D
<b>Bullet Series</b>						
Amber Pivot Mount	0.22	2-1/4" x 3-1/2"	1.18 Lbs.	LSK1101A	LSK1201A	LSK1801A
Amber Rigid Mount	0.22	2-1/4" x 3-1/2"	1.18 Lbs.	LSK1101A-R	LSK1201A-R	LSK1801A-R
Amber Diamond Base	0.22	2-1/4" x 3-1/2"	1.18 Lbs.	N/A	N/A	LSK1801A-D
Red Pivot Mount	0.22	2-1/4" x 3-1/2"	1.18 Lbs.	LSK1101R	LSK1201R	LSK1801R
Red Rigid Mount	0.22	2-1/4" x 3-1/2"	1.18 Lbs.	LSK1101R-R	LSK1201R-R	LSK1801R-R
Red Diamond Base	0.22	2-1/4" x 3-1/2"	1.18 Lbs.	N/A	N/A	LSK1801R-D

**Extra's:**

- Most Applications Require Load Equalizer When Replacing OEM Turn Signals - See Electrical Section: Pg. 81
- Multi-Function Modules Available - See Electrical Section: Pg. 80
- Tube & Fork Clamps Available - See Mounts Section: Pg. 85



HALOGEN DRIVING



Large  
PIVOT  
MOUNT



Small  
RIGID  
MOUNT

HALOGEN SIGNAL



Small  
RIGID  
MOUNT



LED SIGNAL



Small  
RIGID  
MOUNT





**Light Options**

**Part Numbers**

Type	Amps @ 12v	Dimensions Dia. x L	Pkg. Weight	Black Powder Coat	Chrome
<b>Halogen Driving Lights</b>					
Large Vizor 35 Watt	2.92	2-3/8" x 3-1/2"	1.48	N/A	V8835
Large Vizor 50 Watt	4.17	2-3/8" x 3-1/2"	1.48	V8250	V8850
Small Vizor 35 Watt	2.92	1-5/8" x 2-1/2"	1.35	N/A	V5835
<b>Halogen Turn Signals</b>					
Amber / Red 20 Watt	1.67	1-5/8" x 2-1/2"	1.35	V5220	V5820
<b>LED Turn Signals</b>					
Amber LED	0.11	1-5/8" x 2-1/2"	0.96	V5201A	V5801A
Red LED	0.11	1-5/8" x 2-1/2"	0.96	V5201R	V5801R

**QUALITY AT AN AFFORDABLE PRICE**

If you're looking for both quality and functionality that fits your budget...you've found it!  
Available in large and small diameters.

**SPECIFICATIONS**

**LARGE VIZOR**

- Large 2-3/8" Features Pivot 3/8-16 Bolts
- Chrome or Black Finish
- 35-Watt & 50-Watt w/ Clear Lens
- Wire Kits Recommended - Pg. 79
- Compatible With ATV Brackets - Pg. 62

**SMALL VIZOR**

- Small 1-5/8" Feature Hollow 5/16-24 Bolts
- Chrome & Black Finish Options
- Single Function LED Available as Amber or Red
- 20-Watt Turn Signals are Single Function and Include Both Amber & Red Mirror Lenses
- 35-Watt Spot Light w/ Clear Lens
- Load Equilizer Required for Most Turn Signal Applications - Pg. 81
- Multi-Function Modules Available - Pg.80

**Extra's:**

- Tube and Fork Clamps Available - See Mounts Section: Pg. 85

4" SMALL



7" LARGE



# DOMINATOR HID

BY LAZER STAR

Type	Amps @ 12v	Lumens	Dimensions Dia. x L	Pkg. Weight	Part Numbers
<b>Small 4"</b>					
Spot Beam	3	3,200	5.625" x 4.750"	2.06	LS8435
Flood Beam	3	3,200	5.625" x 4.750"	2.06	LS84352
Lexan Covers	N/A	N/A	N/A	N/A	LSCD4L
<b>Large 7"</b>					
Spot Beam	3	3,200	8.15" x 5.634"	3.54	LS8735
Flood Beam	3	3,200	8.15" x 5.634"	3.54	LS87352
Lexan Covers	N/A	N/A	N/A	N/A	LSCD7L

## SPECIFICATIONS



Lexan Cover  
Sold Separately

- 35 Watt HID Bulb
- Sold Each w/ Black Cover
- High Impact ABS Housing
- Borosilicate Glass Lens
- Internal Ballast
- 10mm Mounting Bolt
- 6000° Kelvin HID
- Gear Wheel Base Mount
- 1 Year Warranty

### Extra's:

- Clear Lexan Covers Sold Separately
- Wire Kit Recommended - See Electrical Section: Pg. 79

# JEEP KITS

## JEEP WRANGLER JK KITS

Light Kit solutions for Jeep Wrangler JK, universal automotive license plate & touring motorcycle engine guard locations. All mounts and lights are also available separately to create a solution that is unique to your needs.

### Jeep Wrangler JK Model 2007 - 2017

Our Jeep kits are designed specifically for the 2007 – 2017 JK Wrangler models. Whether you are looking for a roof bar solution or something more subtle like the A-Pillar mount, we have them.

### Jeep High-Light Kit

Features choice of 10-Watt Enterprise 50", 3-Watt double-row Endeavor 52", 3-Watt single-row Atlantis 50" or PreRunner LED 50" in 3-Watt single and 3-Watt double configurations.

### Jeep A-Pillar High-Light Bracket

- Fits 2007 – current Jeep JK Wrangler
- Accepts 50" To 52" LED light bar
- Steel construction with black powder coat finish
- Laser cut logo

### Jeep A-Pillar Light Kit

Features a pair of A-Pillar location brackets with choice of 10-Watt Enterprise 6", 5-Watt Endeavour E5, or 3-Watt 4" round. Kit is also available with PreRunner 5-Watt cube.

### Jeep A-Pillar Windshield Light Bracket

- Fits 2007 – 2017 Jeep JK Wrangler
- Utilizes factory hardware
- Steel construction in black powder coat finish

### A-Pillar Hi-Lo Kit

Includes both A-Pillar high-light kit with A-Pillar kit, comes complete with lights. Available only in LX LED configurations.





**LAZER STAR**



5591026



5592310



5591348



55772350



55771350



5591002



5592504



5593008



**PRERUNNER LED**  
LASER STAR  
55772504



5761022

5769103

**LASER STAR**



Part Number	Description	Total Lumens*	Total Amp Draw @ 13.8v	LED Count	Total Watts
<b>High-Light Kit</b>	<b>JK Bracket w/ 50" Combi Beam Light Bar</b>				
5591026	10 Watt Single Row Enterprise Bar	26,000	12.5	26	260
5592310	3 Watt Double Row Endeavour Bar	30,000	12.8	100	300
5591348	3 Watt Single Row Atlantis Bar	14,400	5.7	48	144
55772350	3 Watt Double Row PreRunner LED	32,400	27	108	324
55771350	3 Watt Single Row PreRunner LED	13,500	11.25	45	135
<b>A-Pillar Kit</b>	<b>A-Pillar Bracket w/ Spot Lights</b>				
5591002	10 Watt Enterprise 4" Dual Lights	4,000	1.76	2 / Ea.	40
5592504	5 Watt Endeavour 4.25" E5 2x2 Lights	4,000	1.73	4 / Ea.	40
5593008	3 Watt Endeavour 4.25" Round Lights	4,800	2.02	8 / Ea.	48
55772504	5 Watt PreRunner LED 4" Cubes	4,000	1.66	4 / Ea.	40
<b>Hi-Lo Kit</b>	<b>High Light and A-pillar Combo Kit</b>				
55910269	10 Watt Single Row Enterprise 50" Hi // 10 Watt 4" Dual Lo	30,000	14.26	Hi 26 / Lo 4	300
55913489	3 Watt Single Row Atlantis 50" Hi // 3 Watt 4.25" Round Lo	19,200	7.72	Hi 48 / Lo 16	192
55923109	3 Watt Double Row Endeavour 52" Hi // 5 Watt 4.25" E5 2x2 Lo	34,000	14.53	Hi 108 / Lo 8	340
<b>Brackets</b>	<b>Brackets Only - No Lights</b>				
57691032	High Light Brackets - Black Powdercoat	N/A	N/A	N/A	N/A
5761022	A-Pillar Brackets - Black Powdercoat	N/A	N/A	N/A	N/A

\* Raw Lumen is based on LED Manufacturer Specifications

- Light Bar and Bracket Available Individually

# AUTOMOTIVE/ MOTORCYCLE KITS

## Universal Automotive License Plate Light Bar Kit

A convenient, universal lighting option for trucks, Jeeps, SUV's, RV's, etc. A license plate mount enables users to enhance their vehicle's lighting capabilities while utilizing existing front license plate mounting locations. Kits available in 10-Watt, 3-Watt single row, or 3-Watt double row. Brackets are a black powdercoat finish.

## Motocross Universal Off-Road Headlight Kit

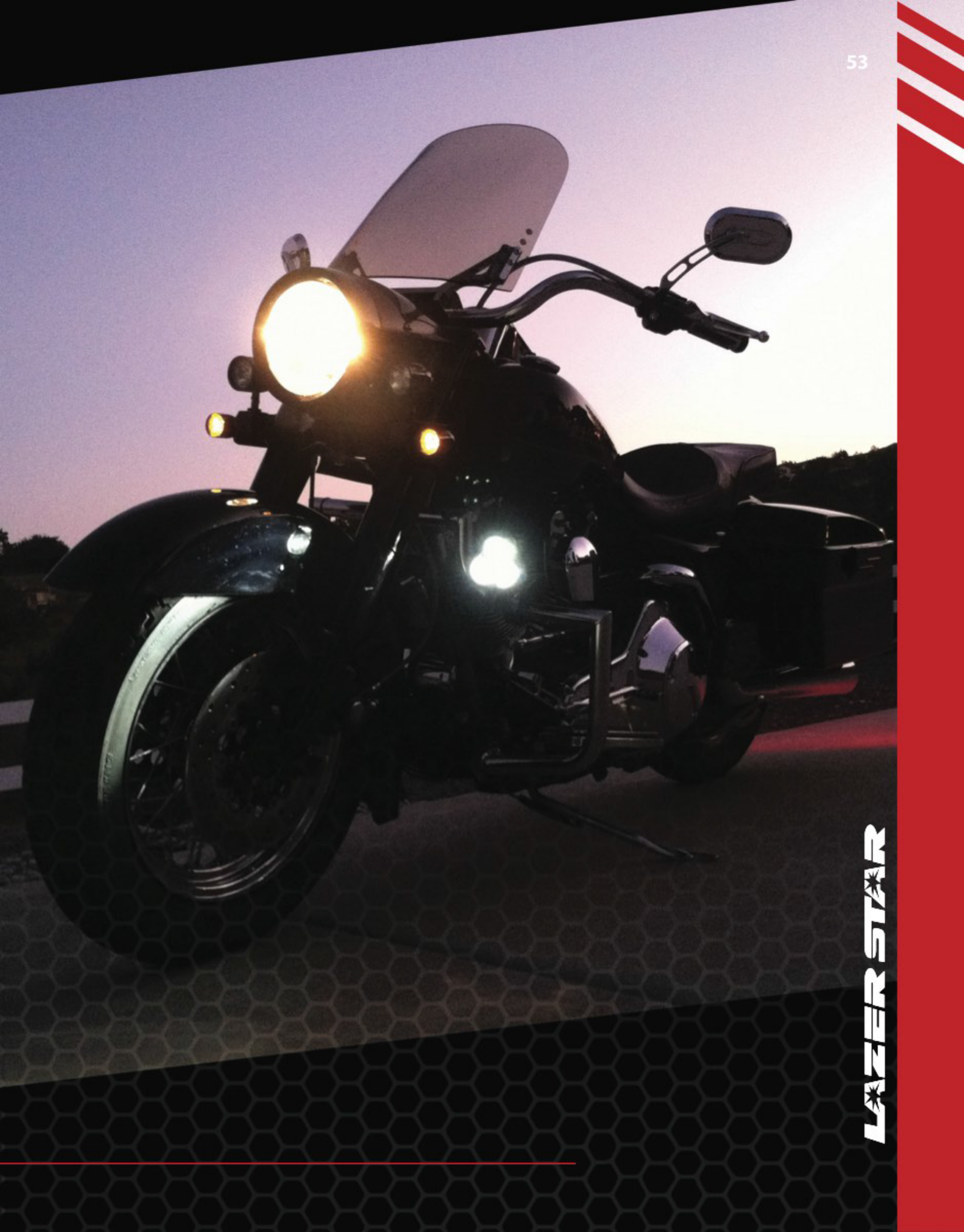
This easy to use universal motocross bracket makes converting your bike for riding or racing after dark a breeze. The adjustable center slot allows for the bracket to adjust to various triple-clamp widths for universal fit. Featuring our most popular lighting solutions in 10-Watt, 3-Watt or 5-Watt, or create your own solution by purchasing the mount separate and pairing it with the best lights for your next adventure. Bracket features lightweight aluminum with black powdercoat finish.

- Universal mounting bracket adjusts to triple-clamp width
- Kits configured with light and mounting bracket
- LX LED are AC/DC compatible and can run directly from Stator
- PreRunner LED are DC only and require a battery to function properly
- Kits are compatible for use with stock Stator

## Motorcycle Engine Guard LED Touring Light Kit

Advancement in compact high output projection LED has allowed us to bring riders the light needed for safety and reliability. Easy to use kits allow several types of lights to mount directly on your bikes 1.25" engine guards. Lights and mounts are pre-kitted with our 10-Watt, 3-Watt and 5-Watt options. However, clamps and lights are available separately to create the solution that is perfect for your riding style.

- Kit includes 1.25" tube clamp and set of lights
- Wire kit recommended



**LAZER STAR**

**Universal Automotive License Plate Kits**

	Part #	Specifications
	<b>LSM200</b>	License Plate Bracket
	<b>2001006</b>	12" Enterprise 10 Watt Single Row w/ Bracket - 6,000 Lumens
	<b>2002320</b>	12" Endeavour 3 Watt Double Row w/ Bracket - 6,000 Lumens
	<b>2001312</b>	14" Atlantis 3 Watt Single Row w/ Bracket - 3,600 Lumens
	<b>20071320</b>	20" PreRunner 3 Watt Single Row w/ Bracket - 5,400 Lumens

A convenient universal lighting option for trucks, Jeeps, SUV's and other vehicle models. Our License Plate Bracket enables users to enhance their vehicle's lighting capabilities while conveniently utilizing pre-existing front license plate mounting locations. Brackets are a black powdercoat finish.



- Wire Kit Recommended - See Electrical Section: Pg. 78  
 - Light Bar and Bracket Available Individually



**Universal Off Road Motorcycle Kits\***

	Part #	Specifications
	<b>20146322</b>	Universal Off Road Motorcycle Fork Brackets
	<b>62520029</b>	Set of 10 Watt Enterprise Spot Dual Lights w/ Bracket - 4,000 Lumens
	<b>62520030</b>	Set of Endeavour 5 Watt E5 2x2 Spot Lights w/ Bracket - 4,000 Lumens
	<b>725049-695</b>	Set of PreRunner LED 5 Watt Spot Cubes w/ Bracket - 4000 Lumens

Adjustable center bolt allows the bracket to expand to triple clamp dimensions for a universal fit. Lightweight Aluminum with Black Powdercoat finish.



- Wire Kit Recommended - See Electrical Section: Pg. 78  
 - Light and Bracket Available Individually  
 - Battery and/or Upgraded Stator May be Required



**LX LED Series**

Part #	Specifications	
	<b>LXK0304-125</b> Pair of 3 Watt Spot 6" Light Bar w/ 1.25" Clamps - 2,400 Lumens	
	<b>LXK2001-125</b> Pair of 10 Watt Spot Single LED w/ 1.25" Clamps - 2,000 Lumens	
	<b>LXK2002-125</b> Pair of 10 Watt Spot Triad LED w/ 1.25" Clamps - 6,000 Lumens	
		

- Wire Kit Recommended - See Electrical Section: Pg. 78  
 - More Clamp Sizes Available - See Parts & Accessories: Pg. 85

**PreRunner LED Series**

Part #	Specifications
<b>713049-125</b>	Pair of 3 Watt Spot 4" Light Bar with 1.25" Clamps - 1,800 Lumens
<b>725049-125</b>	Pair of 5 Watt Spot Cube with 1.25" Clamps - 2,000 Lumens
	

- Wire Kit Recommended - See Electrical Section: Pg. 78  
 - More Clamp Sizes Available - See Parts & Accessories: Pg. 85

**Billet Halogen Series**

Part #	Specifications
<b>LSK1850-125</b>	Pair of 50 Watt Bullet Lights w/ 1.25" Clamps
<b>LSK4850-125</b>	Pair of 50 Watt Shorty Lights w/ 1.25" Clamps
<b>LSK1850-390</b>	Pair of 50 Watt Bullet Lights w/ 39mm Clamps
<b>LSK1850-410</b>	Pair of 50 Watt Bullet Lights w/ 41mm Clamps
<b>LSK1850-490</b>	Pair of 50 Watt Bullet Lights w/ 49mm Clamps
	

- Wire Kit Recommended - See Electrical Section: Pg. 79  
 - More Clamp Sizes Available - See Parts & Accessories: Pg. 85

# UTV & ATV LIGHT KITS

## UTV and ATV Lighting Kits Available in LED or Halogen Solutions

### UTV A-Pillar Light Kits

Lazer Star Lights now offers a turn-key solution for mounting accessory LED lights to your UTV. Our UTV kit includes everything needed to outfit your vehicle with more powerful auxiliary lighting to the A-pillar or bumper locations. **Check our website for the newest additions to this line.**

- Kit Includes pair of LED Lights with specific size tube clamps, in-line fused Wire kit and rocker switch.
- 2x2 lights also include a 1 foot Daisy Chain Wire
- 1.5", 1.75", 2", 38mm, 41mm, and 45mm clamp size options
- Lights and tube clamps available separately for custom set-ups.

### ATV Light Kits

Designed specifically for sport quad applications

#### LX LED ATV

From 10-Watt single row, or the 3-Watt double or 3-Watt single row, the LX LED ATV kits deliver the power of light.

- AC or DC Input 9-32V
- LED provides higher efficiency allowing for a stock Stator to handle multiple units and provide brighter lighting
- Stock charging systems can typically provide more light when utilizing LX LED bars versus other older technologies
- ATV LED kits offer four different "Drop" brackets to allow for best position of light on ATV steering stems.
- Brackets available separately

### Lazer Star Billet Lights \*Made in the USA\*

Billet Light ATV kits are the original line of ATV kits offered by Lazer Star. A tried and true solution if you are looking for the style and function of the original Lazer Star Lights.

- Polished or black anodized finish
- Lazer Star housings and brackets are machined from solid 6061 Billet aluminum
- Stainless steel mounting hardware
- Quartz glass lenses
- High-Temp Teflon® coated aircraft quality wire
- ATV kits come in spot/flood combination
- Universal kits featuring halogen lights





**LAZER STAR**



Complete kit shown with E5 2x2 Lights



Tube Clamp Sizes:  
1.25"  
1.5"  
1.6"  
1.75"  
2"



4" Round Lights



2x2 Lights



PreRunner LED Cubes

**INCLUDED**



Wire Kit [LSW3815]



Daisy Chain Connector [32901]  
\*With 2x2 Kits ONLY



Part Number	Description	Total Lumens*	Total Amp Draw @13.8v	LED Type	Total Watts
<b>1.5" Tube Clamp Kit</b>					
<b>23049-150</b>	Set of Endeavor 2x2 Lights w/ Pair of Clamps	2,400	0.42	3 Watt	24
<b>25049-150</b>	Set of Endeavor E5 2x2 Lights w/ Pair of Clamps	4,000	1.73	5 Watt	40
<b>33089-150</b>	Set of Endeavor 4" Round Lights w/ Pair of Clamps	4,800	2.02	3 Watt	48
<b>725049-150</b>	Set of 5 Watt PreRunner LED Cubes w/ Pair of Clamps	4,000	1.66	5 Watt	40
<b>1.75" Tube Clamp Kit</b>					
<b>23049-175</b>	Set of Endeavor 2x2 Lights w/ Pair of Clamps	2,400	0.42	3 Watt	24
<b>25049-175</b>	Set of Endeavor E5 2x2 Lights w/ Pair of Clamps	4,000	1.73	5 Watt	40
<b>33089-175</b>	Set of Endeavor 4" Round Lights w/ Pair of Clamps	4,800	2.02	3 Watt	48
<b>725049-175</b>	Set of 5 Watt PreRunner LED Cubes w/ Pair of Clamps	4,000	1.66	5 Watt	40
<b>2" Tube Clamp Kit</b>					
<b>23049-200</b>	Set of Endeavor 2x2 Lights w/ Pair of Clamps	2,400	0.42	3 Watt	24
<b>25049-200</b>	Set of Endeavor E5 2x2 Lights w/ Pair of Clamps	4,000	1.73	5 Watt	40
<b>33089-200</b>	Set of Endeavor 4" Round Lights w/ Pair of Clamps	4,800	2.02	3 Watt	48
<b>725049-200</b>	Set of 5 Watt PreRunner LED Cubes w/ Pair of Clamps	4,000	1.66	5 Watt	40

\* Raw Lumen is based on LED Manufacturer Specifications  
 - Light and Tube Clamps Available Individually



Top View



Bracket w/ 100401



7.5" Adaptor



Bracket w/ 231201



11.25" Adaptor



1" Drop



Bracket w/ 130801



2.5" Drop



4" Drop



Bracket w/ 200201





Part Number	Description	Total Lumens**	Amp Draw @ 13.8v	Total LED Count	Watts
<b>1" Drop</b>					
<b>LSM300</b>	1" Drop Bracket Only	N/A	N/A	N/A	N/A
<b>9993001</b>	10" Enterprise 10 Watt Single Row Bar w/ Bracket	4,000	1.55	4	40
<b>9993002</b>	8" Endeavour 3 Watt Double Row Bar w/ Bracket	3,600	1.31	12	36
<b>9993005</b>	10" Atlantis 3 Watt Single Row Bar w/ Bracket	2,400	0.86	8	24
<b>9993004</b>	Pair of 10 Watt Enterprise 4" Dual Lights w/ Bracket	4,000 / Pr.	1.55 / Pr.	4 / Pr.	40 / Pr.
<b>2.5" Drop</b>					
<b>LSM303</b>	2.5" Drop Bracket Only	N/A	N/A	N/A	N/A
<b>9993031</b>	10" Enterprise 10 Watt Single Row Bar w/ Bracket	4,000	1.55	4	40
<b>9993032</b>	8" Endeavour 3 Watt Double Row Bar w/ Bracket	3,600	1.31	12	36
<b>9993035</b>	10" Atlantis 3 Watt Single Row Bar w/ Bracket	2,400	0.86	8	24
<b>9993034</b>	Pair of 10 Watt Enterprise 4" Dual Lights w/ Bracket	4,000 / Pr.	1.55 / Pr.	4 / Pr.	40 / Pr.
<b>4" Drop</b>					
<b>LSM302</b>	4" Drop Bracket Only	N/A	N/A	N/A	N/A
<b>9993021</b>	10" Enterprise 10 Watt Single Row Bar w/ Bracket	4,000	1.55	4	40
<b>9993022</b>	8" Endeavour 3 Watt Double Row Bar w/ Bracket	3,600	1.31	12	36
<b>9993025</b>	10" Atlantis 3 Watt Single Row Bar w/ Bracket	2,400	0.86	8	24
<b>9993024</b>	Pair of 10 Watt Enterprise 4" Dual Lights w/ Bracket	4,000 / Pr.	1.55 / Pr.	4 / Pr.	40 / Pr.
<b>Narrow 1" Drop*</b>					
<b>LSM304</b>	Narrow 1" Drop Bracket Only	N/A	N/A	N/A	N/A
<b>9993041</b>	10" Enterprise 10 Watt Single Row Bar w/ Bracket	4,000	1.55	4	40
<b>9993042</b>	8" Endeavour 3 Watt Double Row Bar w/ Bracket	3,600	1.31	12	36
<b>9993045</b>	10" Atlantis 3 Watt Single Row Bar w/ Bracket	2,400	0.86	8	24
<b>9993044</b>	Pair of 10 Watt Enterprise 4" Dual Lights w/ Bracket	4,000 / Pr.	1.55 / Pr.	4 / Pr.	40 / Pr.
<b>Adaptor</b>					
<b>LSM305</b>	11.25" Multi Light Adaptor	N/A	N/A	N/A	N/A
<b>LSM306</b>	7.5" Multi Light Adaptor	N/A	N/A	N/A	N/A

\*For Use with Yamaha Narrow Steering Stem

\*\*Raw Lumen is based on LED Manufacturer Specifications

-- Multi Light Adaptor Can Work with Any Handlebar Light Bracket

-- Light Bar and Bracket Available Individually



Straight Bolt  
For Handlebar  
Clamp Bracket



Handlebar  
Clamp Kit



Pivot Bolt  
For Universal  
Application



Stock Banshee  
Kit



7/8" Bar  
Yamaha Stem



7/8" Bar w/ Key  
Switch Provision



7/8" Bar w/  
Indicator  
Provisions



Stock  
Location  
on Banshee



Universal  
For 1-1/8"  
Bar



# LAZER STAR® B I L L E T L I G H T S

Type	Polish Finish Part Number	Black Anodize Finish Part Number	Total Amp Draw @ 12v	Total Wattage
<b>Straight Bolt Light Kits Used with Lazer Star Handlebar Clamp Bracket</b>				
20 Watt	<b>ATVK4120S</b>	<b>ATVK4220S</b>	3	20
35 Watt	<b>ATVK4135S</b>	<b>ATVK4235S</b>	6	35
50 Watt	<b>ATVK4150S</b>	<b>ATVK4250S</b>	9	50
75 Watt	<b>ATVK4175S</b>	<b>ATVK4275S</b>	14	75
100 Watt	<b>ATVK41100S</b>	<b>ATVK42100S</b>	19	100
35/20 Watt	<b>ATVYK4100S*</b>	<b>ATVYK4200S*</b>	4.5	20/35
<b>Pivot Bolt Light Kits for Universal Application</b>				
20 Watt	<b>ATV4120</b>	<b>ATV4220</b>	3	20
35 Watt	<b>ATV4135</b>	<b>ATV4235</b>	6	35
50 Watt	<b>ATV4150</b>	<b>ATV4250</b>	9	50
75 Watt	<b>ATV4175</b>	<b>ATV4275</b>	14	75
100 Watt	<b>ATV41100</b>	<b>ATV42100</b>	19	100
35/20 Watt	<b>ATVYK4100*</b>	<b>ATVYK4200*</b>	4.5	20/35

Kits feature 1 Each - Spot / Flood Beam Type

### Handlebar Brackets

### Kits

Description	Polish Finish Part Number	Black Anodize Finish Part Number	Handlebar Light Kits-Polished ONLY Includes Clamp with Pair of 35* watt Bulbs
<b>Standard Handlebar Clamp Fits: Honda / Yamaha** / Suzuki / Kawasaki / Artic Cat</b>			
With Key Switch	<b>LSM087-K</b>	<b>LSM287-K</b>	<b>ATV9907-4100-K</b>
Without Key Switch	<b>LSM087</b>	<b>LSM287</b>	<b>ATV9907-4100</b>
With Key Switch / Indicator Lights	<b>LSM117-K</b>	<b>LSM1172-K</b>	<b>ATVZ407-4100-K</b>
Universal 1-1/8"	<b>LSM150</b>	<b>LSM250</b>	<b>ATV150-4100</b>
Lower 1-1/8" Clamp	<b>LSM150-HL</b>	<b>LSM150-HL</b>	-
<b>Narrow Handlebar Clamp Fits: Yamaha**</b>			
Stock Banshee	<b>LSM020</b>	<b>N/A</b>	<b>ATVY357-4100-B</b>
With Key Switch	<b>LSM057-K</b>	<b>LSM057-K</b>	<b>ATVY357-4100-K</b>
Without Key Switch	<b>LSM057</b>	<b>LSM058</b>	<b>ATVY357-4100</b>
Raptor 660	<b>LSM097-K</b>	<b>LSM097-K</b>	<b>ATVY667-4100-K</b>
Universal 1-1/8"	<b>LSM150</b>	<b>LSM151</b>	<b>ATV150-4132*</b>
Lower 1-1/8" Clamp	<b>LSM150-YL</b>	<b>N/A</b>	-

\* Stock Stator Yamaha (Except Raptor 700) Should Use 55 Watt Kits

\*\* Yamaha Steering Stems Vary: Use Narrow for Banshee & Raptor 660. Use Standard for Raptor 700 & YFZ 450



# ACCENT LIGHTING

## iSTAR POD/LED WHIP BULBS/FLEXLED/BILLETLED

### iStar Pod Lights

#### Rock Out With Your Pod Out!

iStar Pod lights offer superior illumination in a small, flat housing. These lights are perfect for any interior lighting, accent lighting, rock lights, or custom lighting applications where powerful compact LED lighting is needed. Offered in 5 solid colors or color-changing RGB; featuring bluetooth with smart phone controller app.

#### Available colors

- Red, white, blue, green, and amber
- Plug n' play color changing RGB

#### Kits

- Solid colors - in single, two, or six pack options
- RGB - six pack only

#### Optional

- Radius and 30° backer sold separately

### LED Whip Bulbs

Efficient, affordable, and easy to use LED Whip bulbs.

- 1156 bayonet-style base fits most whip poles
- 3 year replacement warranty on LED function
- Green, purple, white, blue, red, and amber colors
- Low amperage draw means it can be left on for hours!

### Lazer Star FlexLED

The original: Lazer Star FlexLED utilizes flexible tubing with an easy-to-use 3M adhesive backing. Available in multiple lengths and colors, they are perfect as dome lights, taillights, accent lights for engines, chrome, and under car lighting. Wire in diode for dual function, sold separately.

- 1", 3", 6", 12", or 20" lengths housed in clear 3M adhesive flexible tubing
- Available in red, amber, blue, green and white
- Custom lengths up To 40"
- LED can be cut every 1/2" or 3 LED segments
- 100,000 hour life rating
- 3 year warranty

### BilletLED

Billet aluminum housing, with ultra-bright FlexLED imbedded inside. Lazer Star's BilletLED is the answer to customized interior lighting as well as tail/brake lights or custom accent lighting. Offered in 5 colors, 3 lengths and 3 different mounting positions. Wire in diode for dual function, sold separately.

- CNC machined billet housing
- White and red color options - amber, blue and green available as special order
- 3 mounting positions - back mount/bottom mount/or radius tube mount
- 3 lengths - 4", 7", and 12"





**LAZER STAR**



### iStar LED Pods



AMBER

GREEN

RED

WHITE

BLUE



Plug 'n' Play RGB Kit



Radius Backer



30° Backer



Single  
Shown with Included Backer & Hardware



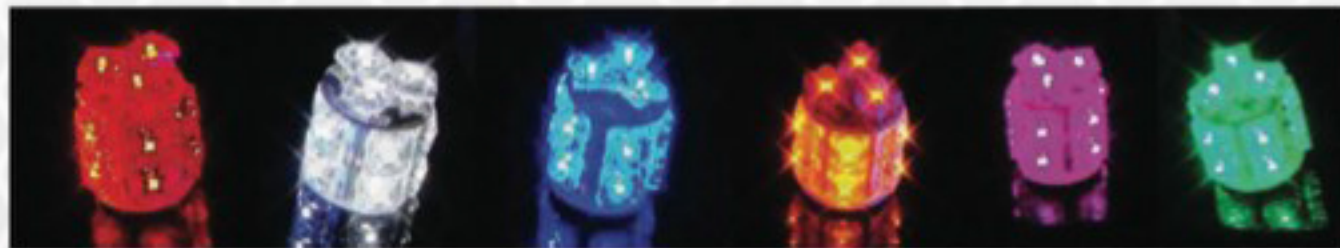
Pair



6-Pack

### LED WHIP BULBS

### LED Whip Bulbs w/ 1156 Base



RED

WHITE

BLUE

AMBER

PURPLE

GREEN



LED Pods

Color	Single Part Number	Pair Part Number	6-Pack Part Number
Amber	570204	5702042	5702046
Green	570206	5702062	5702066
Red	570205	5702052	5702056
White	570207	5702072	5702076
Blue	570208	5702082	5702086
RGB	N/A	N/A	5702568
30° Backer	570272	N/A	N/A
Radius Backer	570292	N/A	N/A

SPECIFICATIONS

- Flat Surface Backer Included - Radius and 30° Rubber Backers Available; Sold Each
- Aluminum Cast Housing with Stainless Steel Hardware
- Available In: Amber, Green, Red, White, Blue or RGB
- RGB Controlled with Convenient Smart Phone App
- Product Dimensions: 1.5" x .5" x 2.75"
- Total Amp Draw @ 14.2v: .93
- XBD Cree LED



LED Whip Bulbs

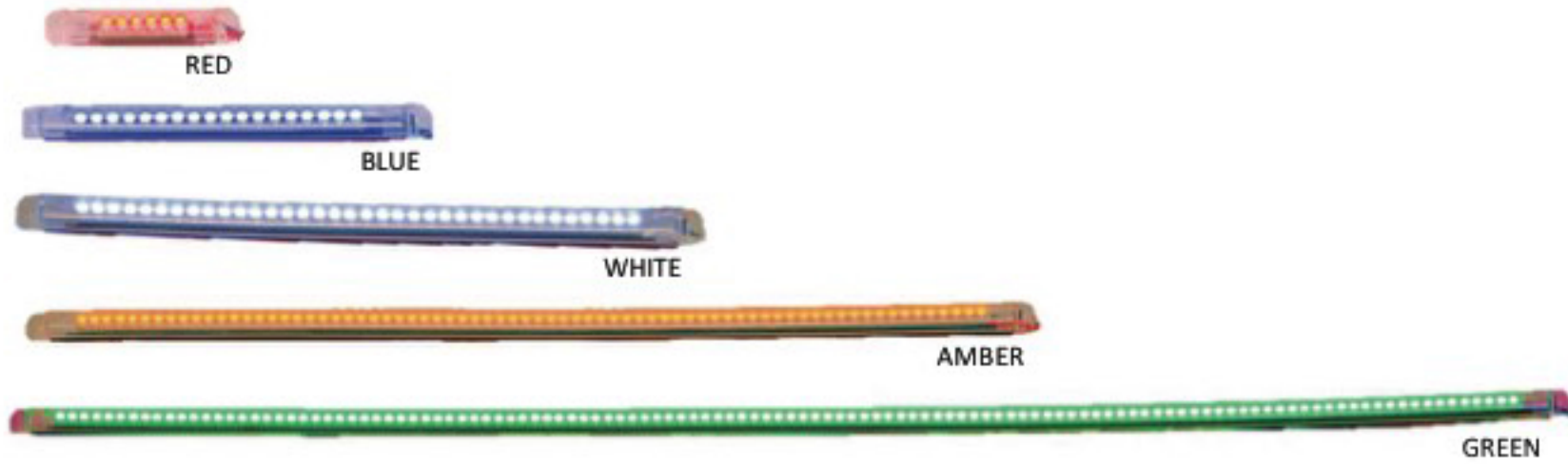
Color	Part Number	Bulb Dimensions Dia. x H [Not Including Base]	Amps @ 13.8v
Red	LS512R	.81" x .94"	0.04
White	LS512W	.81" x .94"	0.04
Blue	LS512B	.81" x .94"	0.04
Amber	LS512A	.81" x .94"	0.04
Purple	LS512B	.81" x .94"	0.04
Green	LS51G	.81" x .94"	0.04

SPECIFICATIONS

- Fits 1156 Bayonet Socket
- For Use in Socket Equipped Whip Pole
- Sold Each
- Whip Pole Not Included



**FlexLED**



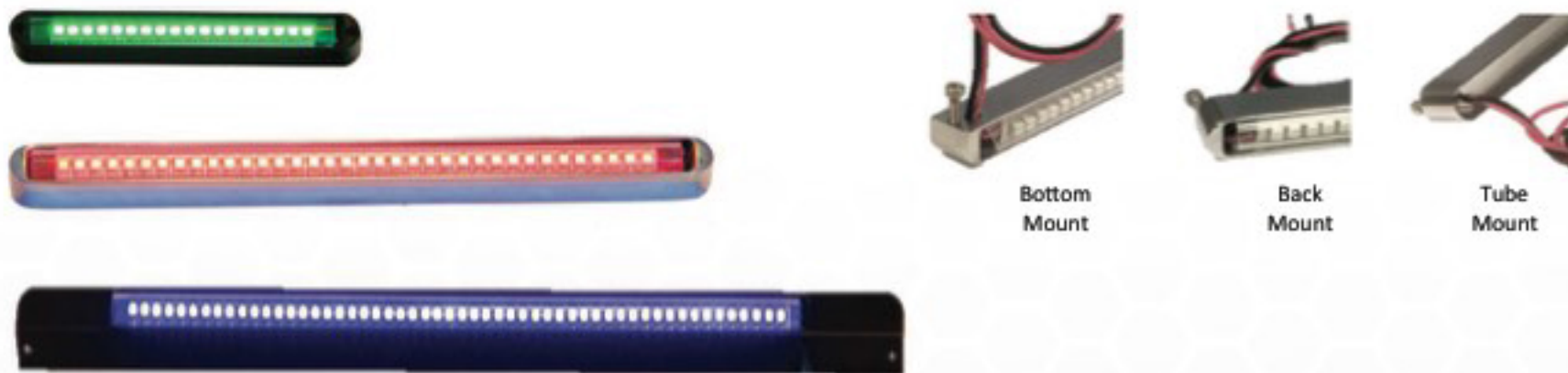
**SPECIFICATIONS**

- MADE IN THE USA
- Ultra-Bright LED
- Utilizes Flexible Tubing with 3M Adhesive Backing
- 6 Lengths: 1", 3", 6", 12", 20" and 40"
- 5 Colors: Red, White, Blue, Green and Amber
- 18" Color Coded Wire Included
- 10,000 Hour LED Life Rating
- 3 Year Warranty
- Sold Individually

**TECHNICAL DATA**

Light Dimensions	LED Count	Weight (lbs)
1" = .35" H x .4" W x 2-1/8" L	6	0.04
3" = .35" H x .4" W x 4-1/8" L	18	0.04
6" = .35" H x .4" W x 7" L	36	0.08
12" = .35" H x .4" W x 12-7/8" L	72	0.14
20" = .35" H x .4" W x 20-3/4" L	120	0.26
40" = .35" H x .4" W x 40-1/4" L	240	0.51

**BILLET LED**



**SPECIFICATIONS**

- MADE IN THE USA
- Ultra-Bright LED
- Machined 6061 Billet Housing
- 3 Mounting Options
- Hardware Included
- 18" Color Coded Wire Included
- 10,000 Hour LED Life Rating
- 3 Year Warranty
- Sold Individually

**TECHNICAL DATA**

Light Dimensions	LED Count	Weight (lbs)
4" = 1/2" H x 1/2" D x 4" W	18	0.12
7" = 1/2" H x 1/2" D x 7" W	36	0.20
12" = 1/2" H x 1/2" D x 12" W	54	0.35



### FlexLED

**Light Options**

**Part Numbers**

Length	Red	Blue	White	Amber	Green
1"	LS521R	LS521B	LS521W	LS521A	LS521G
3"	LS523R	LS523B	LS523W	LS523A	LS523G
6"	LS526R	LS526B	LS526W	LS526A	LS526G
12"	LS5212R	LS5212B	LS5212W	LS5212A	LS5212G
20"	LS5220R	LS5220B	LS5220W	LS5220A	LS5220G
40"	LS5240R	LS5240B	LS5240W	LS5240A	LS5240G

- Dual Element Diode Available- See Electrical Section: Pg. 80

### BilletLED

**Light Options**

**Part Numbers**

Length	Mount	Finish	Red	Blue	White	Amber	Green
4"	Bottom	Chrome	LS534R	LS534B	LS534W	LS534A	LS534G
		Black	LS544R	LS544B	LS544W	LS544A	LS544G
	Back	Chrome	LS534R-2	LS534B-2	LS534W-2	LS544A-2	LS534G-2
		Black	LS544R-2	LS544B-2	LS544W-2	LS544A-2	LS544G-2
	Tube	Chrome	LS534R-3	LS534B-3	LS534W-3	LS534A-3	LS534G-3
		Black	LS544R-3	LS544B-3	LS544W-3	LS544A-3	LS544G-3
7"	Bottom	Chrome	LS537R	LS537B	LS537W	LS537A	LS537G
		Black	LS547R	LS547B	LS547W	LS547A	LS547G
	Back	Chrome	LS537R-2	LS537B-2	LS537W-2	LS537A-2	LS537G-2
		Black	LS547R-2	LS547B-2	LS547W-2	LS547A-2	LS547G-2
	Tube	Chrome	LS537R-3	LS537B-3	LS537W-3	LS537A-3	LS537G-3
		Black	LS547R-3	LS547B-3	LS547W-3	LS547A-3	LS547G-3
12"	Bottom	Chrome	LS5312R	LS5312B	LS5312W	LS5312A	LS5312G
		Black	LS5412R	LS5412B	LS5412W	LS5412A	LS5412G
	Back	Chrome	LS5312R-2	LS5312B-2	LS5312W-2	LS5312A-2	LS5312G-2
		Black	LS5412R-2	LS5412B-2	LS5412W-2	LS5412A-2	LS5412G-2
	Tube	Chrome	LS5312R-3	LS5312B-3	LS5312W-3	LS5312A-3	LS5312G-3
		Black	LS5412R-3	LS5412B-3	LS5412W-3	LS5412A-3	LS5412G-3

- Dual Element Diode Available- See Electrical Section: Pg. 80



# OEM UPGRADES

## LED HEADLIGHT CAPSULES/FULL FACE TURN SIGNAL RETRO-FITS

### LED Capsule Upgrade

LX LED upgrade capsules are Plug n' Play to upgrade most applications. Cool white 5500° kelvin feature 20,000 hour life cycle, with a low 1.09 amp draw at 13.8 volts. Capsules measure 1.75" diameter x 3.25" long and carry a 3 year warranty. These capsules meet EU safety standards.

- Powerful 10 Watt Cree XM-L LED's
  - Lamp base options:
 

9005	30w	H13	40w
9006	30w	H3*	30w
880*	30w	H4	40w
H11	30w	H9	30w
- And more!

**Note:** These lamps are UPGRADES and not replacements for the base types shown and are for off-road use only. Know the laws in your state and municipality prior to upgrading. \*These items are larger than originals. Check your clearance behind the reflector prior to ordering.

### Full Face Retro

Retrofit LED boards fit Harley Davidson bullet 'Deuce' style or 'Classic' style lights. Our boards come pre-wired with standard 1156 or 1157 bayonet-base in an Amber or Red LED. These easy to use plug-n-play LED's give you 30% BETTER VISIBILITY over existing incandescent bulbs. Full Face Retro's come with a 3 year warranty.

- 47 count LED board
- 6th generation LED provide the best optics available
- 1156 or 1157 bayonet-style base for Plug n' Play, user friendly installation
- Load equalizer or no load flasher required (except H-D can bus)
- 3 year warranty
- 1156 red LED kits available with red lenses included



**LAZER STAR**

LX LED HEADLIGHT CAPSULE UPGRADES



5750530



5751340



5751440

SPECIFICATIONS

- Ultra-Bright 10 Watt LED Diode
- Plug & Play Installation
- Internal Cooling Fan



Upgrade

Stock

FULL FACE RETRO 1156/1157



1156 / 1157 Base  
HD Bullet Style



1156 Base  
w/ Red Lens  
[LEDK53-156R2]



1156 / 1157 Base  
H-D Classic Style

SPECIFICATIONS

- Ultra-Bright LED
- 1156 or 1157 Bayonet Base
- Available for OEM Harley
- Bullet 'Duece' Style Light
- Available for OEM Harley
- Classic 'Puck' Style Light
- Red or Amber LED Options
- 50,000 Hour LED Life Rating
- 3 Year Warranty
- Sold in Pairs

FITS THESE MODEL HARLEY DAVIDSON



Bullet  
"Duece"



Classic  
"Puck" Style





## LED Headlight Capsule Upgrades

Part Number	Base Type	Beam Type	Lumens*	Dimensions	Amp Draw @ 13.8v	LED Count	Watts
5750530	9005	Single	3000	3.25" x 1.75"x1.5"	2.6	3	30
5750630	9006	Single	3000	3.25" x 1.75"x1.5"	2.6	3	30
5750930	H9	Single	3000	3.25" x 1.75"x1.5"	2.6	3	30
5751130	H11	Single	3000	3.25" x 1.75"x1.5"	2.6	3	30
5751340	H13	Hi / Lo	4000 / 2000	3.25" x 1.75"x1.5"	3.4 / 1.9	4 Hi / 2 Lo	40 / 20
5751440	H4	Hi / Lo	4000 / 2000	3.25" x 1.75"x1.5"	3.4 / 1.9	4 Hi / 2 Lo	40 / 20

\* Raw Lumen is based on LED Manufacturer Specifications

– Check Website for our Newest Available Models



## Full Face Retro 1156 / 1157

Part Number	Base Type	Color	Dimensions Dia. X D	Amp Draw @ 12v	Housing Style
LEDK53-156A	1156	Amber	1.95" x .6"	0.22	H-D Bullet
LEDK53-156R	1156	Red	1.95" x .6"	0.22	H-D Bullet
LEDK53-156R2	1156	Red	1.95" x .6"	0.22	H-D Bullet
LEDK53-157A	1157	Amber	1.95" x .6"	0.22	H-D Bullet
LEDK53-157R	1157	Red	1.95" x .6"	0.22	H-D Bullet
LEDSK53-156A	1156	Amber	2.875" x .6"	0.22	H-D Classic
LEDSK53-156R	1156	Red	2.875" x .6"	0.22	H-D Classic
LEDSK53-157A	1157	Amber	2.875" x .6"	0.22	H-D Classic
LEDSK53-157R	1157	Red	2.875" x .6"	0.22	H-D Classic

# ELECTRICAL

## Wire Controllers

Lazer Star central light controllers are for your Jeep JK, UTV, Truck, SUV, or other universal applications. Our wire controllers make installation of accessories and lights a snap by providing a central location under the hood to house up to 6 circuits, while only needing to run a single line through the cab to the switch panel. Comes complete with everything you need for plug n' play installation.

- 3 types available: Jeep JK, UTV, or universal application
- Easy plug n' play installation
- System includes\*: switch panel/carling style back-lit switches or touch pad/80A circuit breaker/relays  
20 & 30 amp fuses/ACC tap connection
- Mounting face plate or touch pad

## Wire Kits

Wire kits are custom designed for reliable service with specific Harley-Davidson, general motorcycle, off road, and UTV configurations. These are available with a relay that features a built-in fuse for higher amperage situations or in a standard fused version for lower amperage applications.

- Feature all necessary wire, connectors, shrink tube, tie wraps and exclusive Lazer Star fused relay
- Harley-Davidson specific model that includes a handlebar mounted switch
- General motorcycle model that includes a sealed toggle switch
- Off-road model designed for Jeeps, Trucks and Sandrails
- LX LED model for use on a single light or low amp draw applications
- Round Rocker switch substitute available for most kits

## Load Equalizers

Load equalizers are often needed to make flasher systems work correctly. We offer a wide range of equalizers by Namz, Badlands, and Biketronics. Most vehicles require a load equalizer when changing from the factory turn signals.

- Equalize the resistance Load on your turn system to allow correct flashing brightness and speed when using aftermarket turn signals including LED
- Available for most years Harley-Davidson in specific plug n' play applications
- Available in wire-in applications for use on any vehicle.
- Load equalizers NOT REQUIRED on can bus equipped Harley-Davidson

## Multi-Function

- Add run & turn or run, turn & brake function to your aftermarket turn signals
- Use the Lazer Star converter for two mode operation of run/brake or run/turn on any vehicle (LED or standard up to 50-Watt per light)
- Use Badlands Illuminator for three functions of run, turn and brake for LED or Halogen Illuminator features a built-in load equalizer : wire-in for any vehicle or plug in for Harley-Davidson
- Use Biketronics Frontrunner, Tailstopper, and Tailbones for Harley-Davidson applications



**LAZER STAR**



555926

Universal Controller with 5-switch panel



555927

Universal Wire Controller with Mini Push Pad



555925

Jeep JK Wire Controller with 6-switch Roker Panel



555928

Polaris Dog House 5-switch Controller  
(Not Pictured: Wire Controller & Accessories)



Lazer Star now offers wire controllers for your Jeep JK, UTV, and universal applications. Our wire controllers make installation of additional lighting and accessories a breeze by providing a central location under the hood for up to 6 circuits, all while only needing to run a single line from the cab to the switch panel.

Comes as a complete kit with everything you need for an easy plug n' play installation.

Part Number	Description
<b>555927</b>	<b>Universal Wire Controller w/ Mini 6-Switch Push Pad Kit</b>
<b>555926</b>	<b>Universal Wire Controller w/ 5-Switch Rocker Panel Kit</b>
<b>555928</b> */**	<b>Polaris Wire Controller w/ 5-Switch Rocker Panel in Enclosed Dog House Kit</b>
<b>555925</b>	<b>Jeep JK Wire Controller w/ 6-Switch Rocker Panel in Enclosed Jeep Specific Housing Kit</b>

\* 2015-16, Polaris RZR S/XP, ALL

\*\* 2017, Polaris RZR S/XP, Except Ride Command

## SPECIFICATIONS

- 3 Application Types Available: Jeep JK, Polaris, or Universal
- Easy Plug & Play Installation
- System Includes\*\*\*:
  - Switch Panel / Carling Type Switches / 80A Circuit Breaker / Relays
  - 20 Amp & 30 Amp Fuses / ACC Tap Connection
- Mounting Face Plate - For Rocker Panel
- Back-Lit Switches

\*\*\* Applies to 555926, 555928, & 555925 Only.

**LSW3815****UTV Wire Kit - "LED Bar" Switch**

\*\*\*Contents of Kit Listed Below / Relay Not Included

12' of Wire - For 1 Light

"LED Bar" Screened Rocker Switch

10 Amps Maximum

**LSW1820\*****LX LED Racer Special Wire Kit**

\*\*\*Contents of Kit Listed Below / Relay Not Included

Custom 2 Circuit Kit; with 2-Way Toggle Switch

12' Wire

10 Amps Maximum

**LSW1815\*\*/\*\*\*****LX LED Wire Kit for Single Light**

\*\*\*Contents of Kit Listed Below / Relay Not Included

12' of Wire - For 1 Light

Sealed Toggle Switch

10 Amps Maximum

**LSW2815\*\*/\*\*\*****LX LED Wire Kit for 2 Lights**

\*\*\*Contents of Kit Listed Below / Relay Not Included

12' of Wire - For 2 Lights

Sealed Toggle Switch

10 Amps Maximum

**LSW1012****LX LED Harley Wire Kit**

\*\*\*Contents of Kit Listed Below / Relay Not Included

12' of Wire - For 2 Lights

Snap On Fuse Holder

Harley Handlebar Switch

10 Amps Maximum

**32901 • 32903 • 32906****Daisy Chain Single Wire Loom**

1' - 32901 // 3' - 32903 // 6' - 32906

Male Duetch Connectors Included on Both Ends

Connect Any LX LED Light Bar to  
Any Other LX LED Light Bar

(Except 50+" or Racer Series)

**Extra's:**

\* Add "-R" to End of Part Number to Substitute Round Rocker Switch (RS33-017) for Sealed Toggle Switch

\*\* Add "-J" to End of Part Number for Jeep Specific Application

\*\*\* All Wire Kits Include: Wire, Switch, Connector, Shrink Tubing & Cable Ties



**LSW1005**

**Motorcycle Wire Kit**

\*\*Contents of Kit Listed Below  
 Color Coded Black Wire - For 2 Lights  
 Sealed Toggle Switch  
 30 Amps Maximum



**LSW1010**

**Wire Kit For Harley Davidson**

\*\*Contents of Kit Listed Below  
 Color Coded Black Wire - For 2 Lights  
 Specific H-D Handlebar Switch  
 30 Amps Maximum



**LSW1220\***

**Off Road Wire Kit**

\*\*Contents of Kit Listed Below  
 12' of Wire - For 2 Lights  
 Sealed Toggle Switch  
 30 Amps Maximum



**LSW0815\***

**On Road Wire Kit**

\*\*Contents of Kit Listed Below  
 8' of Wire - For 2 Lights  
 Sealed Toggle Switch  
 30 Amps Maximum



**RS330-017**

**Round Rocker Switch**

\*Add "-R" to Wire Kit PN to Substitute Rocker Switch for Toggle Switch



**LXBAR1 / LXUAL1**

**Screen Printed Carling® Switch for UTV**

LXBAR1 - 'LED Light' / LXUAL1 - 'AUX Light'



**LSW1230F**

**Lazer Star Relay with Fuse**

30 Amp Fuse Included



**LSW1210\***

**On Road Single Light LED Wire Kit**

\*\*Contents of Kit Listed Below  
 12' of Wire - For 1 Light  
 Sealed Toggle Switch  
 30 Amps Maximum

**Extra's:**

\* Add "-R" to End of Part Number to Substitute Round Rocker Switch (RS33-017) for Sealed Toggle Switch

\*\* All Wire Kits Include: Wire, Switch, Connector, Shrink Tubing & Cable Ties

**LSWC808\*****Lazer Star Converter**

Converts 1-Function to 2-Function on 2 Lights  
For Lazer Star's Up to 35 Watts or LED

**LSILL01\*****Illuminator - Wire In**

Run/Turn/Brake Function on Rear Lights  
Built-In Load Equalizer  
Operates 2 Lazer Star Lights  
Universal

**LSILL01-A\*****Illuminator - Plug & Play**

Equipped With Factory Harley Connectors  
Fits Most Years Harley-Davidson 2001 & Up  
Functions the Same as LSILL01

**LSILLPRO-M-3\*****Illuminator Pro - Wire In - Except Honda**

Run / Turn / Brake Function on Rear Lights  
Run / Turn on Front Lights  
Built-In Load Equalizer: Works 4 Lights  
Built-In Auto Cancel

**Extra's:**

\* Must Use Red Lens in Rear Lights with This Product

**LS50CON\*****Dual Element Diode**

Converts 1-Function to 2-Function  
For Use on FlexLED & BilletLED Only

**LSBT600****Front Runner**

For Front Lights Only  
Use with Single Filament Lazer Star or Vizor  
Adds Dual Function to Single Filament Light

**LSBT400\*****TailStopper**

Adds Brake Function to Single Filament Light  
Fits Most Years Harley-Davidson 2001 & Up

**LSBT300\*****Tailbones Plug-In**

Run/Turn/Brake Function in Rear Lights  
Fits Most Years Harley-Davidson 2001 & Up



**LSLE03****Load Equalizer III - Wire In - Universal**

For Converting OEM to LED Turn Signals  
 Corrects Load Resistance on Standard Flashers  
 Use On Any Vehicle

**LSBT803****Smart Equalizer - Wire In**

For Converting OEM to LED Turn Signals  
 For Pre-1996 Harley Davidson  
 Uses Computer Chip Tech. to Balance Load

**LSHLE****Load Equalizer - Wire In - Honda Only**

For Converting OEM to LED Turn Signals

**LSBT802****Smart Equalizer 2 - Plug In**

Fits Most Harley's 1996 & Up Without Alarm  
 For Converting OEM to LED Turn Signals  
 Uses Computer Chip Tech. to Balance Load

**LSMLE****Load Equalizer - Wire In - Metric**

For Converting OEM to LED Turn Signals

**LSBT801****Smart Equalizer - Plug in**

Fits Most Harley's 2001 & Up With Alarm  
 For Converting OEM to LED Turn Signals  
 Uses Computer Chip Tech. to Balance Load

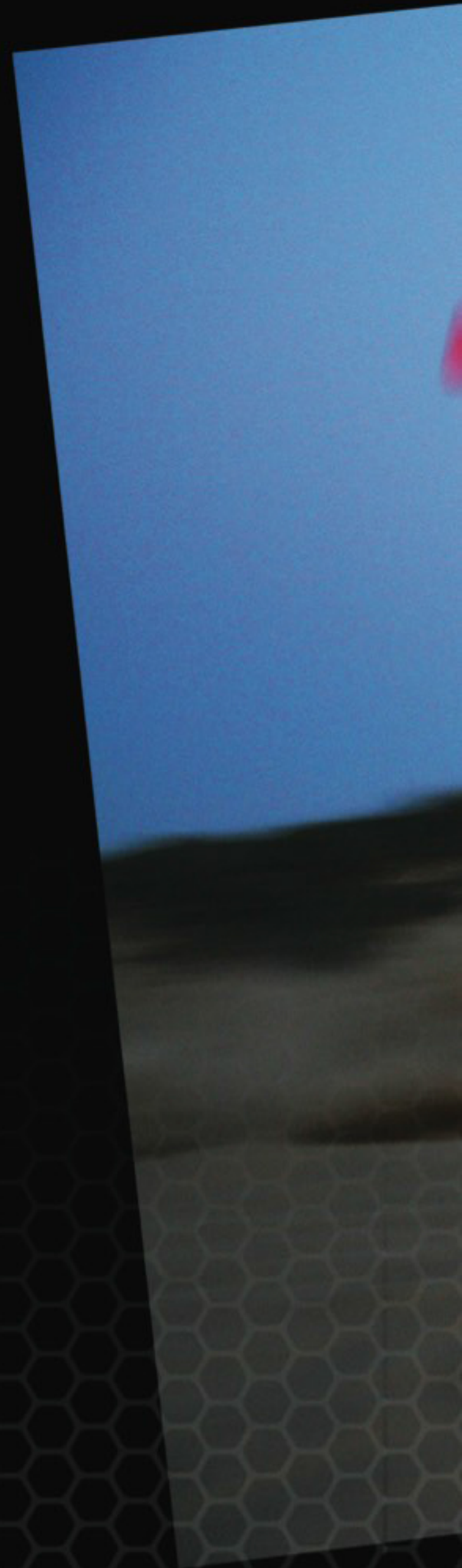
**Extra's:**

\* No Load Equalizer Required on Can-Bus Equipped Harley Davidson

# *PARTS & ACCESSORIES*







Lazer Star Lights offer many products which are hand built in our facility, this allows us to offer an extensive list of parts you may need to repair or replace components of your light. Many products offer a life-time guarantee, if you have your receipt, be sure to give us a call and establish warranty coverage.

**LAZER STAR**






**LAZER STAR**

	Part #	Specifications
<p><b>Automotive Universal LED License Plate Mount</b></p> 	<p><b>LSM200</b></p>	<ul style="list-style-type: none"> <li>• Powdercoat Finish</li> <li>• Universal Application</li> <li>• Utilizes License Plate Bolts for Installation</li> <li>• Allows Mounting of up to 20" LED Light Bar</li> <li>• Kits Available, See Page: XXX</li> </ul>
<p><b>Harley Davidson FL License Plate Relocator</b></p> 	<p><b>LSM100</b></p>	<ul style="list-style-type: none"> <li>• MADE IN THE USA</li> <li>• Stainless Steel</li> <li>• Relocates Plate Below Taillight</li> <li>• Utilizes Mounting Bolts on Stock Light Bar</li> <li>• Fits Most H-D FL Bikes w/ Standard Style Light Bar</li> </ul>
<p><b>Harley Davidson Diamond Base Signal Adaptors</b></p> 	<p><b>LSM060-5</b></p>	<ul style="list-style-type: none"> <li>• MADE IN THE USA</li> <li>• Machined 6061 Billet Aluminum</li> <li>• Chrome Finish</li> <li>• Designed for 5/16 Mounting Bolt</li> <li>• Fits Most Classic Style H-D FL Series Light Bars</li> <li>• Sold in Pairs</li> </ul>
<p><b>Hollow Bolt Kits for Billet Lights</b></p>  <p>*Replacement Bolt for Rigid Mount Billet Lights</p>	<p><b>3/4" – MK1</b>  <b>1-1/2" – MK3*</b>  <b>1-3/4" – MK4</b>  <b>2" – MK2</b></p>	<ul style="list-style-type: none"> <li>• MADE IN THE USA</li> <li>• Stainless Steel Hollow Mounting Bolt</li> <li>• 5/16-24 Thread</li> <li>• 4 Lengths Offered: 3/4", 1-1/2", 1-3/4", 2"</li> <li>• Sold in Pairs</li> </ul>
<p><b>1" Spacer Bolt Kits for Billet Lights</b></p> 	<p><b>Micro B / XS</b>  <b>Chrome – LSM120</b>  <b>Black – LSM122</b></p> <p><b>Bullet / Shorty</b>  <b>Chrome – LSM125</b></p>	<ul style="list-style-type: none"> <li>• MADE IN THE USA</li> <li>• Stainless Steel Bolt / Billet Sleeve</li> <li>• Chrome or Black Anodize Finishes</li> <li>• 1" Sleeve for Extending Rigid Mount Lazer Star</li> <li>• Sold in Pairs</li> </ul>
<p><b>Harley Davidson Handle Bar Signal Adaptors</b></p> 	<p><b>LSM030</b></p>	<ul style="list-style-type: none"> <li>• MADE IN THE USA</li> <li>• Stainless Steel</li> <li>• Retrofits Bullet, Shorty &amp; Micro B</li> <li>• Ball Design Lets Light Swivel in Mounting Nut</li> <li>• Fits Most Harley Davidson Handlebar Mount</li> <li>• Sold in Pairs</li> </ul>

LED Series Tube Mounts

	Inner Diameter	Part #	
<ul style="list-style-type: none"> <li>• 2 Piece Clamp</li> <li>• Black Anodize Finish</li> <li>• Mounts Any LED Light Bar</li> <li>• Hardware Included</li> <li>• Accepts 6mm and 8mm Bolt</li> <li>• Sold Each</li> </ul> <p><b>Extra's</b></p> <ul style="list-style-type: none"> <li>- Packaged Weight: .46 lbs.</li> <li>- Packaged Dimensions: 5" H x 1.5" D x 4" W</li> </ul>	32mm // 1.25"	592125	
	38mm // 1.5"	592150	
	41mm // 1.6"	592162	
	44mm // 1.75"	592175	
	51mm // 2"	592200	

Billet Series Tube Mounts



Chrome Part Numbers

	INNER DIAMETER	Accepts 3/8-16 Thread	Accepts 5/16-24 Thread*
<ul style="list-style-type: none"> <li>• MADE IN THE USA</li> <li>• Machined 6061 Billet Aluminum</li> <li>• Chrome or Black Finish</li> <li>• Stainless Steel Hardware</li> <li>• No-Gap Design</li> <li>• Sold in Pairs</li> </ul> <p><b>Extra's</b></p> <ul style="list-style-type: none"> <li>- Packaged Weight: 1.18 lbs.</li> <li>- Packaged Dimensions: 2-3/8" H x 11-1/2" D x 7" W</li> <li>* Sleeve Included on 5/16-24 Threaded Hardware</li> </ul>	22mm // 0.875"	LSM048-37587	N/A
	25mm // 1"	LSM048-37501	N/A
	29mm // 1.125"	LSM048-37512	LSM048-31212
	32mm // 1.25"	LSM048-37125	LSM048-31125
	39mm // 1.5"	LSM048-37539	LSM048-3139
	41mm // 1.6"	LSM048-37541	LSM048-3141
	49mm // 1.9"	LSM048-37549	LSM048-3149

Polished Part Numbers

INNER DIAMETER	Accepts 3/8-16 Thread	Accepts 5/16-24 Thread*
39mm // 1.5"	LSM040-375150	N/A
44mm // 1.75"	LSM040-37517	N/A

Black Anodized Part Numbers

INNER DIAMETER	Accepts 3/8-16 Thread	Accepts 5/16-24 Thread*
32mm // 1.25"	LSM042-37125	N/A
38mm // 1.5"	LSM042-375150	N/A
44mm // 1.75"	LSM042-37517	N/A
39mm // 1.5"	LSM042-37539	LSM042-3139
41mm // 1.6"	LSM042-37541	LSM042-3141
49mm // 1.9"	LSM042-37549	LSM042-3149



**Bullet / Shorty 100 Watt**

2" Diameter

Spot - **EMS**  
Flood - **EMF**



**Bullet / Shorty 75 Watt**

2" Diameter

Spot - **EYF-P**  
Flood - **EYC-P**



**Bullet / Shorty / Vizor 50 Watt**

2" Diameter

Spot - **EXT-P**  
Flood - **EXN-P**  
Large Vizor - **EXT-VL**



**Bullet / Shorty / Vizor 35 Watt**

2" Diameter

Spot - **FRB-P**  
Flood - **FMV-P**  
Large Vizor - **FRB-VL** Spot | **FMT-VL** Flood



**Bullet / Shorty / Vizor 20 Watt**

2" Diameter

Spot - **ESX-P**  
Flood - **BAB-P**  
Large Vizor - **ESX-VL**



**Micro B / Vizor 35 Watt**

1-3/8" Diameter

Spot - **FTE-P**  
Flood - **FTH-P**  
Small Vizor - **FTE-VL**



**Micro B / Vizor 20 Watt**

1-3/8" Diameter

Flood - **FTD-P**  
Small Vizor - **FTD-VL**



**H3 Halogen Bulb**

Fits H3 Reflector

35 Watt - **JA12V-35**  
55 Watt - **JA12V- 55**  
100 Watt - **JA12V-100**  
130 Watt - **JA12V-130**



**H4 Halogen Bulb**

Hi / Lo Headlight Bulb

Standard 55/65 - **H4720**  
Ultra Xenon 55/65 - **LSH4X**  
Xenon 55/100 - **XE100**



**881 Halogen Bulb**

H-D Passing Rep/Upgrade

35 Watt - **JA881-35**  
55 Watt - **JA881-55**



**Bullet / Shorty LED Board**

1.95" X .61"

Amber - **LED53AM**



**Bullet / Shorty LED Board**

1.95" X .61"

Red - **LED53RE**



I

1.38" X .61"

Amber - **LED33AM**



**Micro B LED Board**

1.38" X .61"

Red - **LED33RE**



**XS LED Board**

1" X .5"

Red - **LED16RE**  
Amber - **LED16AM**

Lenses



**RK01**

**Bullet/Shorty Clear Lens Kit**

Sold Each  
Includes O-Rings & Gasket | Gasket Kit Only: **RK01-GSK**  
Dimensions: 2.05" x .070"



**RK01-33**

**Micro B Clear Lens Kit**

Sold Each  
Includes O-Rings  
Dimensions: 1.45" x .070"



**RK01-66**

**XS Clear Lens Kit**

Sold Each  
Includes O-Rings  
Dimensions: 1.05" x .070"



**RK02A**

**Bullet / Shorty Amber Lens Kit**

Sold Each  
Includes O-Rings & Gasket  
Dimensions: 2.05" x .070"



**RK02B**

**Bullet / Shorty Blue Lens Kit**

Sold Each  
Includes O-Rings & Gasket  
Dimensions: 2.05" x .070"



**RK02R**

**Bullet / Shorty Red Lens Kit**

Sold Each  
Includes O-Rings & Gasket  
Dimensions: 2.05" x .070"



**RK02-33A**

**Micro B Amber Lens Kit**

Sold Each ~ Includes O-Rings  
Dimensions: 1.45" x .070"



**RK02-33B**

**Micro B Blue Lens Kit**

Sold Each ~ Includes O-Rings  
Dimensions: 1.45" x .070"



**RK02-33R**

**Micro B Red Lens Kit**

Sold Each ~ Includes O-Rings  
Dimensions: 1.45" x .070"



**V11A**

**Amber LED Small Vizor Replacement**

Sold Each  
Dimensions: 1-3/8" Diameter



**RK30**

**Large Vizor Light Clear Lens**

Sold in Pairs  
Dimensions: 2.12" x .075"



**RK10**

**Small Vizor Light Clear Lens**

Sold in Pairs  
Dimensions: 1.53" x .075"



**V11R**

**Red LED Small Vizor Replacement**

Sold Each  
Dimensions: 1-3/8" Diameter



**RK10R**

**Small Vizor Light Red Lens**

Sold in Pairs  
Dimensions: 1.53" x .075"



**RK10A**

**Small Vizor Light Amber Lens**

Sold in Pairs  
Dimensions: 1.53" x .075"



**RK07**

**Pivot Assembly - Bullet/Shorty**  
Stainless Steel - Sold Each 3/8-16 Thread



**RK07B**

**Pivot Bolt Bottom Only - Bullet/Shorty**  
Stainless Steel - Sold Each 3/8-16 Thread



**RK07T**

**Pivot Top Only - All**  
Stainless Steel - Sold Each



**RK03-33**

**Micro B Pivot Bolt**  
Stainless Steel - Sold Each 5/16-18 Thread



**RK04-2**

**Pivot 3" Extended Bolt - Bullet/Shorty**  
Sold Each - with Hardware 3/8-16 Thread



**RK08**

**ATV Rigid Bolt - Bullet/Shorty**  
Stainless Steel - Sold Each 3/8-16 Thread



**MK3**

**Rigid Mount Replacement Bolt**  
Sold Pairs - Fits All Billet Lights - 5/16-24 Thread



**RK05-Q**

**Lazer Star Halogen Wire Loom**  
Sold Each



**RKV50-Q**

**Vizion Light Wire Loom**  
Sold Each



**LXM003**

**LX LED - Gen 2 Lightbar Mount**  
Replacement - Sold Each



**RKV70R**

**Small Vizion Rigid Bolt**  
Sold in Pairs



**RKV70**

**Large Vizion Pivot Bolt**  
Sold Each



**LXM005**

**LX LED Gen 1 Light Bar Mount**  
Replacement - Sold Each



**LXR1**

**LX Wire Loom**  
Sold Each



**LX Duetch Connectors**

Male - **LXR3**  
Female - **LXR2**  
Racer Special Male - **LXR4**





**TACFL-CDF\***  
 Cal Fire Logo  
 Flashlight Kit



**TACFL\***  
 Lazer Star Logo  
 Flashlight Kit

**SPECIFICATIONS**

Dimensions: 6"H x 1.75"D x 1.75"W  
 Flashlight Weight: 1.70lbs  
 Flood Beam  
 IP68  
 5 Different Light Settings



\* Kits Includes: (1) Flashlight, (2) Spare Large O-Rings, (2) Spare Small O-Rings, (1) Rechargeable Battery, (1) Plug In Charging Base, (4) Spare Screws, (1) Spare Button Cover, (1) Clip On Carrying Case, (1) Complete Kit Case



**14T**

**Lazer Star T-Shirts**  
 Sizes: Small - XXXL



**14-HAT**

**Lazer Star Hat**  
 Snap Back - Black // Striped



**LSDECAL**

**Lazer Star Stickers**  
 3" or 6" Die Cut  
 Oval



**LAZER STAR**