



The following section contain all the parts you need for restoring & repairing your Jeep®! From 1941 to current, **Omixon-ADA®** has you covered. Keeping the Jeep® Legend Alive!



OFFICIAL LICENSED PRODUCT

MOPAR, JEEP, DODGE, HEMI, PLYMOUTH, RAM, and CHRYSLER vehicles, images and logos are trademarks of Chrysler Group LLC used under license to Omixon-ADA®. © Chrysler Group LLC 2011



AUTHENTIC RESTORATION PRODUCT

MOPAR, JEEP, DODGE, HEMI, PLYMOUTH, RAM, and CHRYSLER vehicles, images and logos are trademarks of Chrysler Group LLC used under license to Omixon-ADA®. © Chrysler Group LLC 2011

Look for the star to check out all the Mopar Licensed Products

This emblem is Mopar's "Seal Of Approval" that the product meets their standards and is truly a licensed product. Parts identified with the Mopar Authentic Restoration Product emblem are the only parts in this catalog officially authorized and licensed by Chrysler Group LLC.

A Few Words About Product Safety: To help you make informed decisions about safety; this catalog and the instructions accompanying our products have provided certain information in the form of "Notices", "Warnings" and "Cautions". This information alerts you to potential hazards that could hurt you or others.

NOTICE

This is a caution against anything which may cause damage to the vehicle or its equipment if the caution is ignored. The Notice includes information about how you can avoid or reduce those risks.

WARNING

This is a signal telling you that **you CAN be KILLED or SERIOUSLY HURT if you don't follow the Warning**. The **Warning** includes information about what you must or must not do in order to reduce the risk of injury to yourself and others.

CAUTION

This is a signal telling you that **you or others CAN be HURT if you don't follow the instruction**. The **Caution** includes information about how you can avoid those risks.

! WARNING

Your safety and the safety of other motorists is very important. Your Jeep® is an off road capable vehicle that readily lends itself to restoration and customization. As the owner of a modified suspension vehicle you are the person choosing the combination of suspension, wheels, tires, drive train and accessories that best fit your intended use. Likewise, you are the person responsible for the safety and legality of the vehicle you modify. In modifying your vehicle's suspension, balance your off-road capabilities against how the vehicle may actually be used off-road and on-road.

It is not practical or possible to warn about all hazards associated with your Jeep® restoration or modifying your suspension for improved off road capabilities. Start by familiarizing yourself with all vehicle manufacturers' instructions and warnings and the instructions and warnings accompanying your aftermarket product. Follow recommended maintenance procedures and routinely inspect your vehicle components for unusual wear or off-road damage. Restoration parts are direct replacements of original components and are not designed or warranted as meeting current safety standards [including FMVSS].

Always wear seat belts and/or appropriate off-road restraints, reduce your speed, tread lightly® and safely enjoy your off-road vehicle.

A FEW WORDS ABOUT PARTS AVAILABLE FROM THIS CATALOG.

PARTS IDENTIFIED AS MOPAR® APPROVED AUTHENTIC RESTORATION PRODUCTS™ REFLECT THAT THE PRODUCT IS LICENSED BY MOPAR® FOR MANUFACTURE BY THIRD PARTIES AND MEETS MOPAR® STANDARDS. OMIX-ADA® AND ITS LICENSEES ARE NOT AFFILIATED WITH CHRYSLER GROUP LLC. ALL PARTS LISTED ARE AFTERMARKET ORIGIN AND PART NUMBERS ARE FOR PURPOSES OF CROSS-REFERENCE ONLY. THE RUGGED RIDGE®, OUTLAND®, ALLOY USA®, AND PRECISION GEAR® PARTS ARE OMIX-ADA® BRANDED PRODUCTS MANUFACTURED BY QUALIFIED THIRD PARTIES. PARTS LISTED OTHER THAN MOPAR® APPROVED RESTORATION PARTS, ARE SUPPLIED BY QUALIFIED OMIX-ADA® VENDORS WORLDWIDE. THIS CATALOG MAY BE REPRODUCED BY INDEPENDENT RETAILERS UNDER LICENSE FROM OMIX-ADA®.

THIS CATALOG REPRODUCED UNDER LICENSE FROM OMIX-ADA INC. PARTS IDENTIFIED WITH THE MOPAR AUTHENTIC RESTORATION PRODUCT EMBLEM ARE THE ONLY PARTS IN THIS CATALOG OFFICIALLY AUTHORIZED AND LICENSED BY CHRYSLER GROUP LLC.

ALL RIGHTS RESERVED. NO PART OF THIS CATALOG MAY BE REPRODUCED BY ANY MEANS, ELECTRONIC OR OTHERWISE, WITHOUT EXPLICIT WRITTEN AUTHORIZATION FROM OMIX-ADA, INC. © COPYRIGHT OMIX-ADA, INC.

BY ORDERING FROM THIS CATALOG THE PURCHASER AGREES TO THE FOLLOWING TERMS AND CONDITIONS: THIS CATALOG IS BEING DELIVERED AS IS AND OMIX-ADA®, INC. OR LICENSEE MAKE NO WARRANTIES, EXPRESSED OR IMPLIED, ON MERCHANTABILITY OR FITNESS FOR ANY PARTICULAR PURPOSE. OMIX-ADA®, INC. OR LICENSEE DISCLAIM ALL LIABILITY FOR DIRECT OR INDIRECT DAMAGES ARISING FROM THE USE OR PERFORMANCE OF THIS CATALOG OR THE PRODUCTS HEREIN. DEFECTIVE ITEMS WILL BE CREDITED OR REPLACED AT OMIX®'S SOLE DISCRETION. OMIX® IS NOT RESPONSIBLE FOR LABOR, CONSEQUENTIAL DAMAGES OR BODILY INJURIES ARISING FROM INSTALLING OR USING ITS PARTS, CATALOG OR LISTINGS. NO RETURNS ARE ALLOWED ON SPECIAL ORDERS, FACTORY DROPSHIPS, ELECTRICAL AND BODY PARTS. OMIX-ADA® OR LICENSEE ARE NOT RESPONSIBLE FOR TECHNICAL ERRORS, OMISSIONS OR PRINTING ERRORS. PRICES, AVAILABILITY AND BRAND NAMES ARE SUBJECT TO CHANGE WITHOUT NOTICE.

JEEP®, WILLYS®, AMC™, WRANGLER™, CHEROKEE™, GRAND CHEROKEE™, LIBERTY™, CJ™, YJ™, XJ™, TJ™, JK™, ZJ™, WJ™, SJ™, KJ™, JEEP® GRILLE DESIGN AND OTHER NAMES USED IN THIS CATALOG ARE TRADEMARKS OF CHRYSLER GROUP LLC. OMIX-ADA® OR ITS LICENSEES ARE NOT AFFILIATED WITH CHRYSLER GROUP LLC. ALL PARTS LISTED ARE AFTERMARKET REPLACEMENT PARTS. PART NUMBERS, ILLUSTRATIONS AND IMAGES USED FOR REFERENCE PURPOSE ONLY. NO IMPLICATION IS MADE THAT THESE ARE ORIGINAL EQUIPMENT PARTS, FROM THOSE SOURCES WHOSE PART NUMBERS ARE USED HERE FOR REFERENCE OR THAT THEY ARE APPROVED BY THOSE COMPANIES.

© OMIX-ADA®, INC. 2011. ALL RIGHTS RESERVED.

Replacement Body Tubs, Panels & Parts for Jeep®



- » Replace Steel Body Tubs and Body Kits from 1941 – 1995
- » Replacement Body Panels from 1941 – 2014
- » Jeep®/Willys Licensed Body Tubs, Kits & Panels Available!
- » Body Tubs are completely assembled, and primed. Ready to be shipped to your door.
- » 16 gauge steel used on body tubs for all side and tail panels. In most cases it is thicker than original!
- » 18 Gauge steel used on body tubs in the front and rear flooring, all mounting brackets, top cowl assembly, and wheel housings.
- » Manufactured using a seven-step metal preparation process, including:
 - A 5 bath dip to totally eliminate rust, dirt and grease.
 - A phosphate and acid rinse step to ensure corrosion resistance and proper adhesion of the primer.
 - New primer formula and application method that is designed for a smooth and even finish.
- » Includes all major factory mounting locations, including channels for body mounting.
- » Dash and shifter tunnels left blank in some applications with varied OE locations.

REBUILT ENTIRELY FROM PARTS LISTED IN THE CATALOG!

Our body panels are more than just parts; they are built with a legacy and heritage in mind. No other supplier can match Omix's passion and dedication to quality. This is why we have been authorized to use the "MOPAR Authentic Restoration" and "MOPAR Official Licensed Product" logos for more than 30 licensed body tubs and panels we produce. We take pride in being one of the few manufacturers strong enough to stand behind the legendary Jeep® name.

Our Body Tub is a completely assembled body shell from the firewall to the tail light panel. Fitted, welded and assembled together with the cowl panel, rear wheel housings, dash panel, and glove box already in place. Or you can upgrade to a Body Tub Kit. It features the same great body tub, (2) front fenders, windshield frame, hood and tailgate. It is the ultimate restoration accessory, primed and shipped to your door.

No more grinding, welding, or cutting out rusty panels, just to struggle as you fight to line up the new part. All the hard work is done for you. Primed and nearly ready for paint. The hardest part will be picking out the new paint color. How quickly can you say Olive Drab?

Of course the body tubs are not completely finished, there will still be some fitting and working to make everything line up. Just the same; as if you were working with a 50 year old body tub. But our tubs are as close as you can get today to a body off the original Toledo assembly line. Why else would MOPAR authorize us to use the "Willys" and "Jeep" scripts on the officially licensed bodies and panels we produce?







[A] 12001.03



A. Jeep® Body Kits

	Part#
1941-1942 MB [Before 3/1/42], Body With Fenders, Hood, Windshield & Tailgate	12001.03
1942-1943 MB, [After 3/1/42], Body With Fenders, Hood, Windshield & Tailgate	12001.20
1944-1945 MB, Body With Fenders, Hood, Windshield & Tailgate	12001.02
1941-1945 Ford GPW, Body With Fenders, Hood, Windshield & Tailgate	12001.04
1950-1952 M38, Body With Fenders, Hood, Windshield & Tailgate	12001.05
1952-1971 M38A1, Body With Fenders, Hood, Windshield & Tailgate	12001.15
1945-1949 CJ2A, Body With Fenders, Hood, Windshield & Tailgate	12001.07
1945-1949 CJ2A, Willys Stamped, Body With Fenders, Hood W/ Willys Script, Windshield & Tailgate W/ Willys Script	 DMC-673859-2A
1948-1953 CJ3A, Body With Fenders, Hood, Windshield & Tailgate	12001.08
1948-1953 CJ3A, Willys Stamped, Body With Fenders, Hood W/ Willys Script, Windshield & Tailgate W/ Willys Script	 DMC-673859-3A
1953-1964 CJ3B, Body With Fenders, Hood, Windshield & Tailgate	12001.09
1953-1964 CJ3B, Willys Stamped, Body With Fenders, Hood W/ Willys Script, Windshield & Tailgate W/ Willys Script	 DMC-693197
1955-1968 CJ5, Body With Fenders, Hood, Windshield & Tailgate	12001.10
1969 CJ5, Body With Fenders, Hood, Windshield & Tailgate	12001.11
1970-1971 CJ5, Body With Fenders, Hood, Windshield & Tailgate	12001.12
1972-1975 CJ5, Body With Fenders, Hood, Windshield & Tailgate	12001.13
1955-1968 CJ6, Body With Fenders, Hood, Windshield & Tailgate	12001.14
1976-1983 CJ5, Body With Fenders, Hood, Windshield & Tailgate	12001.16
1976-1986 CJ7, Body With Fenders, Hood, Windshield & Tailgate	12001.17
1981-1986 CJ8 Scrambler, Body With Fenders, Hood, Windshield & Tailgate	12001.18
1969-1971 CJ6, Body With Fenders, Hood, Windshield & Tailgate	12001.19

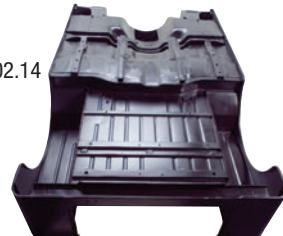
B. Jeep® Body Tubs

	Part#
1941-1942 MB [Before 3/1/42]	12002.02
1942-1945 MB [After 3/1/42]	12002.01
1941-1945 Ford GPW	12002.03
1950-1952 M38	12002.04
1945-1949 CJ2A	12002.06
1948-1953 CJ3A	12002.07
1953-1967 CJ3B	12002.08
1955-1969 CJ5	12002.09
1955-1969 CJ5, With Jeep Script Stamped In Cowl Sides 	DMC-680637
1970-1971 CJ5	12002.10
1970-1971 CJ5, With Jeep Script Stamped In Cowl Sides 	DMC-680637-VC
1972-1975 CJ5	12002.11
1972-1975 CJ5, With Jeep Script Stamped In Cowl Sides 	DMC-680637-VD
1955-1971 CJ6	12002.12
1976-1983 CJ5	12002.13
1976-1983 CJ5, With Jeep Script Stamped In Cowl Sides 	DMC-5461335
1976-1986 CJ7	12002.14
1976-1986 CJ7, With Jeep Script Stamped In Cowl Sides 	DMC-5464362
1981-1986 CJ8 Scrambler	12002.15
1987-1995 Wrangler, With Jeep Script Stamped In Cowl Sides NEW 	DMC-55050500

[B] 12002.06



[B] 12002.14



Body kits, body tubs and body parts are sold "As Is". See Limited Warranty Information inside back cover. Drilling, cutting and other modifications may be required for proper installation. Claims for freight damage must be placed with freight carriers.

Jeep® Licensed Items

Nothing represents a Jeep® more than its very name! It's just not the same unless, well, it says "Jeep®"! The visual appearance of the name stands for a legacy and history that no other vehicle in the world can match. Now you can return your Jeep® to its original markings with these stamped Hoods, Tailgates, Back Panels, Side Panels, Toolbox, Body Tubs, Valve Covers, Grilles and Dash Pads!



AUTHENTIC RESTORATION PRODUCT

MOPAR, JEEP, DODGE, HEMI, PLYMOUTH, RAM, and CHRYSLER vehicles, images and logos are trademarks of Chrysler Group LLC used under license to Omix-Ada®. © Chrysler Group LLC 2011

WILLYS® & JEEP® MARKED ITEMS

C. Hoods

	Part#
1945-49 CJ2A, 1948-1953 CJ3A, With Willys Script	DMC-670969
1953-1967 CJ3B, With Willys Script	DMC-681334

D. Grilles

	Part#
1945-46 CJ2A	DMC-663536
1947-49 CJ2A	DMC-668124
1948-53 CJ3A	DMC-673149
1959-67 CJ3B, With Willys Script	DMC-681798
1955-71 CJ5	DMC-815385
1972-1986 CJ5, CJ6, CJ7, CJ8	DMC-5752656

E. Jeep® Tailgates

	Part#
1941-1945 "Willys" Script Rear (Tail) Panel	DMC-2758
1945-1968 CJ2A, CJ3A, CJ5, Willys Script	DMC-663188
1969-1983 CJ5 With Jeep® Script	DMC-685459
1976-1986 CJ7, 1981-1986 CJ8 With Jeep® Script	DMC-5454025



[E] DMC-663188



[E] DMC-5454025



MOPAR, JEEP, DODGE, HEMI, PLYMOUTH, RAM, and CHRYSLER vehicles, images and logos are trademarks of Chrysler Group LLC used under license to Omix-Ada®. © Chrysler Group LLC 2011

Look for the star to check out all the Mopar Licensed Products



[H] DMC-5760458



[I] DMC-6914

H. Dash Pads

	Part#
1976-1986 CJ5, CJ7, CJ8, Jeep Script Dashpad, Black, With Moveable Vent Window	DMC-5760458
1976-1986 CJ5, CJ7, CJ8, Jeep Script Dashpad, Light Gray [Dyeable], With Moveable Vent Window	DMC-5760459

I. Valve Covers

	Part#
1981-1986 CJ5, CJ7, CJ8 and SJ Cherokee 4.2L 6 Cyl Engine, Aluminum Diecast With Jeep Script	DMC-6914
1972-1991 CJ5, CJ7, CJ8 and SJ Cherokee AMC V8 304 CI, 360 CI, 390 CI Engine, Aluminum Diecast With Jeep Script	DMC-6920



[G] DMC-5451627



[G] DMC-5457017



[D] DMC-5752656



[F] DMC-8133339



[C] DMC-670969



Omixon-ADA
BUY WITH CONFIDENCE
MINIMUM 5 YEAR WARRANTY



[F] DMC-3227K

F. Jeep® Body Panels

	Part#
1945-1949 CJ2A, Windshield Frame With Willys Script	DMC-663628
1945-1975 CJ2A, CJ3A, CJ3B, CJ5, CJ6, Toolbox With Jeep® Script	DMC-3227K
1976-1983 CJ5, Side Panel With Jeep® Script, Left	DMC-8133112
1976-1983 CJ5, Side Panel With Jeep Script, Right	DMC-8133337
1976-1986 CJ7, 1987-1995 Wrangler, Side Panel With Jeep® Script, Left	DMC-8133339
1976-1986 CJ7, 1987-1995 Wrangler, Side Panel With Jeep® Script, Right	DMC-8133338

G. Exterior Emblems

	Part#
1976-1990 All Jeeps®, Jeep® AMC Flag Emblem, Self Adhesive	DMC-5451627
1972-1983 CJ5, CJ5 Emblem, Self Adhesive	DMC-5455179
1976-1986 CJ7, CJ7 Emblem, Self Adhesive	DMC-5457017
1981-1986 CJ8, CJ8 Emblem, Self Adhesive	DMC-5758601
1981-1986 CJ8, Scrambler Emblem, Self Adhesive	DMC-5763509

Body kits, body tubs and body parts are sold "As Is". See Limited Warranty Information inside back cover. Drilling, cutting and other modifications may be required for proper installation. Claims for freight damage must be placed with freight carriers.

Lighting



A. Headlight Assemblies

Part#	Part#
2007-2014 Wrangler, Left	12402.21
2007-2014 Wrangler, Right	12402.20
1993-1998 Grand Cherokee, Left	12402.07
1993-1998 Grand Cherokee, Right	12402.06
1999-2004 Grand Cherokee Laredo, Left	12402.09
1999-2004 Grand Cherokee Laredo, Right	12402.08
1999-2004 Grand Cherokee Limited, Left	12402.11
1999-2004 Grand Cherokee Limited, Right	12402.10
2005-2007 Grand Cherokee, Left	12402.19
2005-2007 Grand Cherokee, Right	12402.18
2008-2010 Grand Cherokee, Left	12402.23
2008-2010 Grand Cherokee, Right	12402.22
2002 Liberty (Before 11/5/02), Left	12402.13
2002 Liberty (Before 11/5/02), Right	12402.12
2002-2004 Liberty (After 11/6/02), Left	12402.15
2002-2004 Liberty (After 11/6/02), Right	12402.14
2005-2007 Liberty, Left	12402.17
2005-2007 Liberty, Right	12402.16
2008-2010 Liberty, Without Fog Lights, Left	12402.23
2008-2010 Liberty, Without Fog Lights, Right	12402.22
2011-2013 Grand Cherokee, Headlight Assembly, Right NEW	12402.26
2011-2013 Grand Cherokee, Headlight Assembly, Left NEW	12402.27
2006-2010 Commander, Headlight Assembly, Right NEW	12402.28
2006-2010 Commander, Headlight Assembly, Left NEW	12402.29
2007-2009 Compass & Patriot, Headlight, Right NEW	12402.30
2007-2009 Compass & Patriot, Headlight, Left NEW	12402.31
2011-2013 Compass, Headlight Assembly, Right NEW	12402.32
2011-2013 Compass, Headlight Assembly, Left NEW	12402.33
2008-2012 Liberty, Headlamp, No Fog Lights, Right NEW	12402.34
2008-2012 Liberty, Headlamp, No Fog Lights, Left NEW	12402.35

B. Round Sealed Beam Headlight Bulbs

Part#	Part#
1941-1945 MB, GPW, Sealed Beam, 6v	12409.03
1945-1964 CJ, Sealed, 6v	12409.02
1965-1986 CJ, Sealed, 12v	12409.01
1965-1986 CJ, Halogen	12409.04
1997-2006 Wrangler	12409.04

C. Rectangular Sealed Beam Headlight Bulbs

Part#	Part#
1987-1995 Wrangler	12409.05
1984-2001 Cherokee	12409.05

D. Headlight Housings

Part#	Part#
1941-1945 MB & Ford GPW	12402.05
1941-1945 MB & Ford GPW, Headlight Housing Bracket, Right	12021.50
1941-1945 MB & Ford GPW, Headlight Housing Bracket, Left	12021.51
1941-1945 MB & Ford GPW, Blackout Light Housing, Fender Mounted, LH or RH	12021.80
1941-1945 MB & Ford GPW, Blackout Light Bracket, LH or RH	12021.49
1950-1952 M38, Headlight Brush Guard, LH or RH	12023.21
1950-1952 M38, Blackout Light Bracket, LH or RH	12023.23
1972-1986 CJ (Does One Side) With Bulb, LH or RH	12402.01
1972-1986 CJ (Pair) With Bulb	12402.02
1987-1995 Wrangler, Right	12421.02
1987-1995 Wrangler, Left	12421.01
1997-2006 Wrangler, With Bulb, Right	12402.04
1997-2006 Wrangler, With Bulb, Left	12402.03
1984-2001 Cherokee, Right	12421.02
1984-2001 Cherokee, Left	12421.01

A. 12402.11



F. 12419.08



B. 12409.03



E. Headlight Retaining Rings

Part#	Part#
1972-1986 CJ	12420.01
1987-1995 Wrangler	12420.03
1997-2006 Wrangler	12420.02
1984-2001 Cherokee	12420.03

F. Headlight Bezels

Part#	Part#
1945-1949 CJ2A, Chrome (Each)	12419.01
1948-1953 CJ3A, Chrome (Each)	12419.01
1953-1967 CJ3B, Chrome (Each)	12419.02
1955-1971 CJ5, Chrome (Each)	12419.02
1955-1971 CJ6, Chrome (Each)	12419.02
1972-1986 CJ, Chrome (Each)	12419.03
1972-1986 CJ, Chrome (Pair)	12419.04
1987-1995 Wrangler, Black (Pair)	12419.24
1987-1995 Wrangler, Chrome, (Pair)	12419.05
1987-1995 Wrangler, Chrome, Left	12419.21
1987-1995 Wrangler, Chrome, Right	12419.22
1997-2006 Wrangler, Black (Pair)	12419.23
1997-2006 Wrangler, Pair, Chrome	12419.08
1997-2006 Wrangler, Chrome, Left	12419.07
1997-2006 Wrangler, Chrome, Right	12419.06
1984-1990 Cherokee, Gray, Left	12419.09
1984-1990 Cherokee, Gray, Right	12419.10
1984-1990 Cherokee, Chrome, Left	12419.11
1984-1990 Cherokee, Chrome, Right	12419.12
1991-1996 Cherokee, Flat Black / Chrome, Left	12419.13
1991-1996 Cherokee, Flat Black / Chrome, Right	12419.14
1991-1996 Cherokee, Black, Left	12419.15
1991-1996 Cherokee, Black, Right	12419.16
1997-2001 Cherokee, Black, Left	12419.17
1997-2001 Cherokee, Black, Right	12419.18
1997-2001 Cherokee, Neutral (Paintable), Left	12419.19
1997-2001 Cherokee, Neutral (Paintable), Right	12419.20

G. Fog Lights

Part#	Part#
2007-2009 Wrangler, LH or RH	12407.12
1997-2001 Cherokee, Left	12407.01
1997-2001 Cherokee, Right	12407.02
1993-1995 Grand Cherokee, RH or LH	12407.09
1996 Grand Cherokee, Left	12407.13
1996 Grand Cherokee, Right	12407.14
1997-1998 Grand Cherokee, Left	12407.05
1997-1998 Grand Cherokee, Right	12407.06
1999-2003 Grand Cherokee, Left	12407.03
1999-2003 Grand Cherokee, Right	12407.04
2004 Grand Cherokee, LH or RH	12407.15
2005-2010 Grand Cherokee, LH or RH	12407.11
2002-2004 Liberty, Left	12407.07
2002-2004 Liberty, Right	12407.08
2005-2007 Liberty (Except Renegade), LH or RH	12407.10
2011-2013 Grand Cherokee, 2010-2014 Wrangler, Fog Light Assembly NEW	12407.16
2007-2009 Patriot, Fog Light Assembly, LH NEW	12407.17
1987-1996 Cherokee, Fog Light NEW	12407.18

H. Headlight Hardware

Part#	Part#
1972-1986 CJ, Headlight Adjusting Screw	12410.01



[J] 12401.06



[M] 12408.01



[L] 12403.37



[I] 12405.14



[L] 12403.51

I. Parking & Turn Signal Lights

	Part#
1955-1971 CJ, Assembly With Amber Lens, LH or RH	12405.01
1955-1971 CJ, Lens, Amber, LH or RH	12405.03
1955-1971 CJ, Assembly With Clear Lens, LH or RH	12405.02
1955-1971 CJ, Lens, Clear, LH or RH	12405.04
1976-1986 CJ, Assembly With Clear Lens, LH or RH	12405.06
1976-1986 CJ, Lens, Clear, LH or RH	12405.08
1976-1986 CJ, Assembly With Amber Lens [OE for Export Models], LH or RH	12405.07
1976-1986 CJ, Lens, Amber [OE for Export Models], LH or RH	12405.09
1987-1993 Wrangler, LH or RH	12405.10
1997-2006 Wrangler, LH or RH	12405.11
2007-2014 Wrangler, Left	12405.25
2007-2014 Wrangler, Right	12405.24
1984-1996 Cherokee, Left	12405.13
1984-1996 Cherokee, Right	12405.12
1997-2001 Cherokee, Left	12405.15
1997-2001 Cherokee, Right	12405.14
1993-1998 Grand Cherokee, Parking Light, Left	12405.17
1993-1998 Grand Cherokee, Parking Light, Right	12405.16
1993-1998 Grand Cherokee, Turn Signal, Clear, Left	12401.13
1993-1998 Grand Cherokee, Turn Signal, Clear, Right	12401.14
1993-1998 Grand Cherokee [Export Models], Turn Signal, Amber, Left	12401.15
1993-1998 Grand Cherokee [Export Models], Turn Signal, Amber, Right	12401.16
2002-2004 Liberty, Left	12401.17
2002-2004 Liberty, Right	12401.18
2005-2007 Liberty, Right	12401.22
2005-2007 Liberty, Left	12401.23
2008-2010 Liberty, Left	12405.27
2008-2010 Liberty, Right	12405.26
2007-2010 Compass, Turn Signal Assembly, Right NEW	12405.28
2007-2010 Compass, Turn Signal Assembly, Left NEW	12405.29
2007-2010 Patriot, Turn Signal, Right NEW	12405.30
2007-2010 Patriot, Turn Signal, Left NEW	12405.31

J. Side Marker Lights

	Part#
1972-1986 CJ, Assembly [Includes Lens, Bulb and Wiring Pigtail], Amber, Front, LH or RH	12401.02
1972-1986 CJ, Lens, Amber, Front, LH or RH	12401.01
1972-1986 CJ, Assembly [Includes Lens, Bulb and Wiring Pigtail], Red, Rear, LH or RH	12401.04
1976-1986 CJ, Lens, Red, Rear, LH or RH	12401.03
1972-1986 CJ, Wiring Pigtail, Front or Rear, LH or RH	12401.05
1987-1995 Wrangler, LH or RH	12401.06
1997-2006 Wrangler, Left	12401.07
1997-2006 Wrangler, Right	12401.08
2007-2014 Wrangler, Left	12401.25
2007-2014 Wrangler, Right	12401.24
1984-1996 Cherokee, Left	12401.09
1984-1996 Cherokee, Right	12401.10
1997-2001 Cherokee, Left	12401.11
1997-2001 Cherokee, Right	12401.12
2005-2007 Liberty, Left	12401.21
2005-2007 Liberty, Right	12401.20
2008-2010 Liberty, Left	12402.23
2008-2010 Liberty, Right	12402.22

K. Back-Up Lights

	Part#
1945-1975 CJ, Assembly [Includes Lens, Bulb and Wiring Pigtail], LH or RH	12406.01
1946-1975 CJ, Lens, LH or RH	12405.04

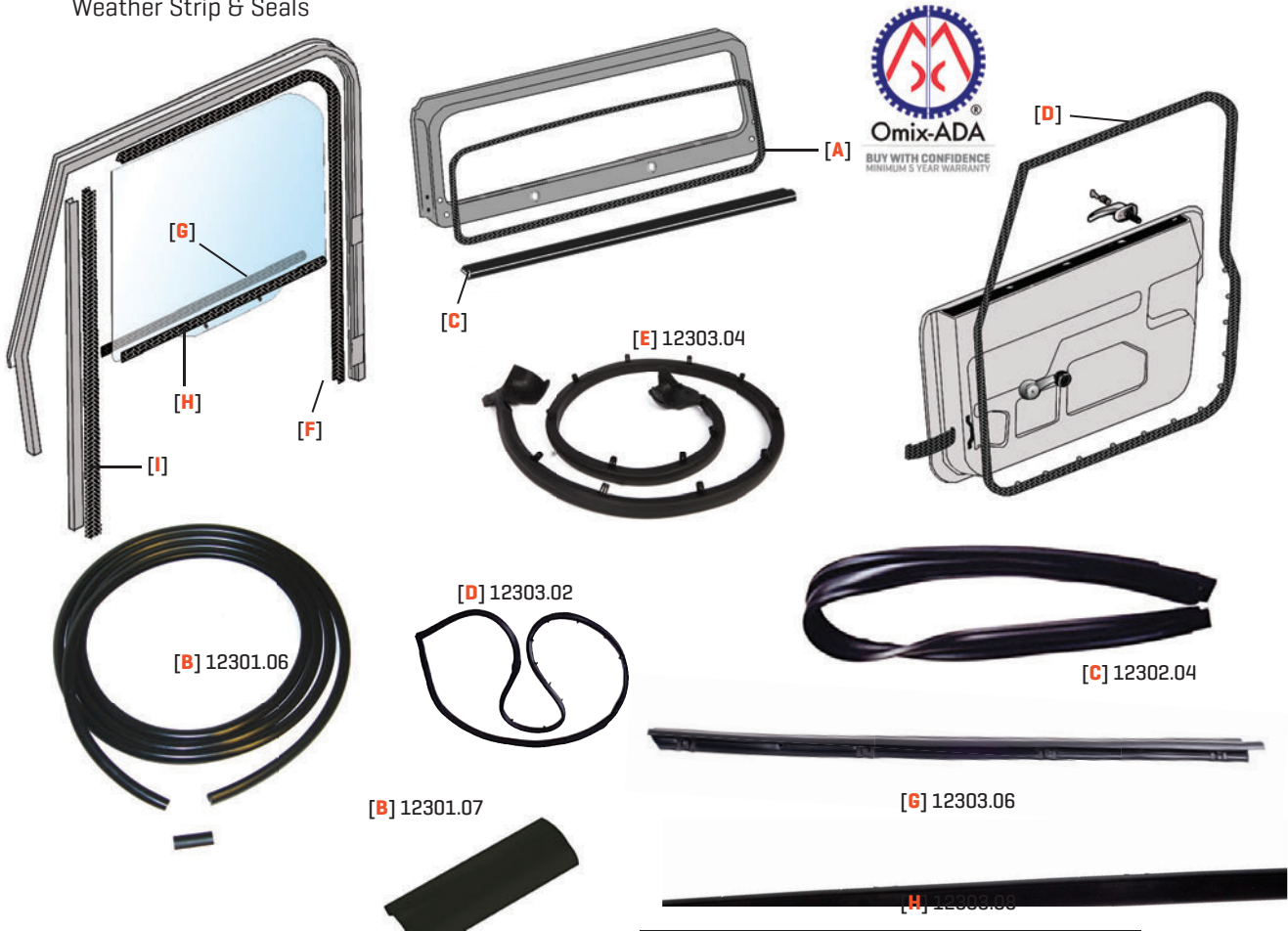
L. Tail Lights

	Part#
1941-1945 MB and Ford GPW, Assembly, Left	12403.51
1941-1945 MB and Ford GPW, Assembly, Right	12403.52
1941-1945 MB and Ford GPW, Housing, LH or RH	12403.50
1945-1975 CJ, Left	12403.01
1945-1975 CJ, Right	12403.02
1976-1980 CJ, With Black Housing, Left	12403.03
1976-1980 CJ, With Black Housing, Right	12403.04
1976-1980 CJ, With Chrome Housing, Left	12403.05
1976-1980 CJ, With Chrome Housing, Right	12403.06
1981-1986 CJ, With Black Housing, Left	12403.07
1981-1986 CJ, With Black Housing, Right	12403.08
1976-1986 CJ, Lens, LH or RH	12404.01
1991-1997 Wrangler, With Black Housing, Left	12403.13
1991-1997 Wrangler, With Black Housing, Right	12403.14
1987-2006 Wrangler, Lens, LH or RH	12404.01
2007-2014 Wrangler, Left	12403.37
2007-2014 Wrangler, Right	12403.36
1987-1990 Wrangler, Tail Light w/ black housing, Left NEW	12403.11
1987-1990 Wrangler, Tail Light w/ black housing, Right NEW	12403.12
1997-2006 Wrangler, Tail Light, Export NEW	12403.43
1987-1995 Wrangler, Export Tail Light NEW	12403.44
1998-2006 Wrangler, Tail Light with Black Housing, Left NEW	12403.47
1998-2006 Wrangler, Tail Light with Black Housing, Right NEW	12403.48
1984-1996 Cherokee, Left	12403.17
1984-1996 Cherokee, Right	12403.18
1997-2001 Cherokee, Left	12403.19
1997-2001 Cherokee, Right	12403.20
1993-1998 Grand Cherokee, Left	12403.21
1993-1998 Grand Cherokee, Right	12403.22
1999-2004 Grand Cherokee, Left	12403.23
1999-2004 Grand Cherokee, Right	12403.24
2005-2006 Grand Cherokee, Left	12403.33
2005-2006 Grand Cherokee, Right	12403.32
2007-2010 Grand Cherokee, Left	12403.35
2007-2010 Grand Cherokee, Right	12403.34
2011-2013 Grand Cherokee, Tail Light, Right NEW	12403.45
2011-2013 Grand Cherokee, Tail Light, Left NEW	12403.46
2002-2004 Liberty, Left	12403.25
2002-2004 Liberty, Right	12403.26
2005-2007 Liberty, Without Air Dam, Left	12403.29
2005-2007 Liberty, Without Air Dam, Right	12403.28
2005-2007 Liberty, With Air Dam, Left	12403.31
2005-2007 Liberty, With Air Dam, Right	12403.30
2008-2010 Liberty, Left	12403.39
2008-2010 Liberty, Right	12403.38
2011-2013 Compass, Tail Light, Right NEW	12403.53
2011-2013 Compass, Tail Light, Left NEW	12403.54
2008-2013 Patriot, Tail Light, Left NEW	12403.55
2008-2013 Patriot, Tail Light, Right NEW	12403.56
2006-2010 Commander, Tail Light Assembly, Right NEW	12403.40
2006-2010 Commander, Tail Light Assembly, Left NEW	12403.41

M. Replacement Bulbs

	Part#
1972-1986 CJ, Front Parking Light Bulb, Amber, LH or RH	12408.01
1972-1986 CJ, Side Marker Light Bulb, Clear, LH or RH	12408.06
1976-1986 CJ, Back Up Light Bulb, Clear, LH or RH	12408.04
1976-1986 CJ, Tail Light Bulb, Multi Function, Clear, LH or RH	12408.05
1987-1993 Wrangler, Front Parking Light Bulb, Amber, LH or RH	12408.02
1987-1993 Wrangler, Side Marker Light Bulb, Clear, LH or RH	12408.06
1987-2006 Wrangler, Tail Light Bulb, Multi Function, Clear, LH or RH	12408.04
1994-2006 Wrangler, Front Parking Light Bulb, Amber, LH or RH	12408.03
1987-2006 Wrangler, Tail Light Bulb, Multi Function, Clear, LH or RH	12408.05
1984-2001 Cherokee, 1997-2006 Wrangler, Interior Courtesy Light Bulb	12408.07
2003-2006 Wrangler, Dome Light Bulb	12408.08

Weather Strip & Seals



A. Windshield Glass Shields

	Part#
1941-49 MB, CJ2A (Seal Between Inner & Outer Windshield)	12301.01
1941-49 MB, CJ2A Glass Seal [2 Needed]	12301.02
1951-75 M38, M38A1, CJ3A, CJ3B, CJ5, CJ6	12301.03
1976-86 CJ	12301.04
1987-95 Wrangler, Glass Seal	12301.05
1997-06 Wrangler, Seal, Inner Windshield	12301.09

B. Windshield Glass Hardware

	Part#
1987-95 Wrangler, Glass Seal Lock Only	12301.06
1987-95 Wrangler, Windshield Glass Seal Clip	12301.07
1997-06 Wrangler, Windshield Reveal Molding	12301.08

C. Cowls Rubber Seals

	Part#
1941-63 MB, M38, CJ2A, CJ3A, CJ3B	12302.01
1951-75 CJ5, CJ6	12302.02
1976-86 CJ	12302.03
1987-95 Wrangler	12302.04
1997-02 Wrangler	12302.05

D. Door Seals

	Part#
1976-86 CJ Door Weather Seal Pass. Side [RH]	12303.02
1987-95 Wrangler Door Weather Seal Passenger Side [RH]	12303.02
1976-86 CJ Door Weather Seal, Driver Side [LH]	12303.01
1987-95 Wrangler Door Weather Seal, Driver Side [LH]	12303.01
1997-06 Wrangler With Full Door, RH, Weatherstrip Outer Door	12303.12
1997-06 Wrangler With Full Door, LH, Weatherstrip Outer Door	12303.13
1987-95 Wrangler Half Door Weather Seal [RH]	12303.04
1987-95 Wrangler Half Door Weather Seal [LH]	12303.03
1997-06 Wrangler RH, Half Door, Outer Seal	12303.14
1997-06 Wrangler LH, Half Door, Outer Seal	12303.15

E. Door Glass Edge Seals

	Part#
1987-1995 Wrangler, Door Seal Kit, With Hardtop & Moveable Vent Windows, Left [5 Piece Kit]	12303.51
1987-1995 Wrangler, Door Seal Kit, With Hardtop & Moveable Vent Windows, Left [5 Piece Kit]	12303.50
1987-1995 Wrangler, Door Seal Kit, With Hardtop & Moveable Vent Windows, Left [5 Piece Kit]	12303.53
1987-1995 Wrangler, Door Seal Kit, With Hardtop & Moveable Vent Windows, Left [5 Piece Kit]	12303.52
1987-1995 Wrangler, Door Seal [For Half Doors], Left	12303.03
1987-1995 Wrangler, Door Seal [For Half Doors], Right	12303.04
1987-1995 Wrangler, Door Seal [For Full Steel Doors], Left	12303.01
1987-1995 Wrangler, Door Seal [For Full Steel Doors], Right	12303.02

F. Door Window Seals

	Part#
1976-86 CJ, Door Window Rear Seal, LH=RH	12303.05
1987-95 Wrangler, Door Window Rear Seal, LH=RH	12303.05

G. Door Glass Outer Seals

	Part#
1976-86 CJ, Door Glass Outer Seal, RH	12303.06
1976-86 CJ, Door Glass Outer Seal, LH	12303.07
1987-95 Wrangler, Door Glass Outer Seal, RH	12303.06
1987-95 Wrangler, Door Glass Outer Seal, LH	12303.07

H. Door Glass Inner Seals

	Part#
1976-86 CJ, Door Glass Outer Seal, RH	12303.08
1976-86 CJ, Door Glass Outer Seal, LH	12303.09
1987-95 Wrangler, Door Glass Outer Seal, RH	12303.08
1987-95 Wrangler, Door Glass Outer Seal, LH	12303.09

I. Door Glass Edge Seals

	Part#
1982-86 CJ, Door Edge Seal w/ Movable Vent Window, LH=RH	12303.10
1987-95 Wrangler, Door Edge Seal With Movable Vent Window, LH=RH	12303.10
1978-81 CJ, Door Glass Edge Seal With Stationary Vent Window	12303.11



J. Hardtop, Tailgate & Liftgate Seals & Components

	Part#
1977-86 CJ7 Liftgate Outer Seal With Plastic Locks	12304.01
1977-86 CJ7 Liftgate Inner Glass Seal	12304.02
1976-86 CJ Hardtop Rear Side Window Seal, RH=LH	12304.03
1977-86 CJ Hardtop Liftgate Hinge	11901.01
1977-86 CJ Hardtop T-Handle	11901.02
1976-86 CJ7 & CJ8 Tailgate Seal	12305.01
1977-86 Hardtop Seal Kit, CJ	12304.07
1977-86 Cam & Cable, CJ7 Hardtop	11901.03
1977-86 Latch Assembly, CJ7 Hardtop, Each	11901.04
1977-86 Hardtop To Windshield Frame Seal	12304.04
1987-95 Hardtop To Windshield Frame Seal	12304.04
1987-95 Wrangler, Weatherstrip, Rear Lift-Gate Glass	12304.08
1987-95 Wrangler Tailgate Seal	12305.02
1997-06 Wrangler Lower Tailgate Seal	12305.03
1987-95 Wrangler Tailgate's Upper Weatherstrip [Between Liftgate & Tailgate]	12304.09
1987-95 Wrangler Corner Hardtop Seal, RH	12304.06
1987-95 Wrangler Corner Hardtop Seal, LH	12304.05
1987-95 Hardtop Seal Kit, Wrangler	12304.07
1987-95 Wrangler Hardtop Fastener Kit	12215.11
1997-2014 Wrangler Liftgate Ball Stud, Right NEW	12012.30
1997-2014 Wrangler Liftgate Ball Stud, Left NEW	12012.31

K. Soft Top Seals	Part#
1987-95 Wrangler With Factory Soft Top, Plastic Door Seal, RH	12306.04
1987-95 Wrangler With Factory Soft Top, Plastic Door Seal, LH	12306.03

L. Soft Top Seal Hardware	Part#
1987-95 Wrangler With Factory Soft Top, Door Seal Clip	12306.08
1987-95 Wrangler Replacement Soft Top Snaps	12306.07

1941-1945 MB & GPW Body Parts



Look for the star to check out all the Mopar Licensed Products



OFFICIAL LICENSED PRODUCT

MOPAR, JEEP, DODGE, HEMI, PLYMOUTH, RAM, and CHRYSLER vehicles, images and logos are trademarks of Chrysler Group LLC, used under license to Omix-ADA. © Chrysler Group LLC 2011



A. Steel Body Kits

Part#	Description
12001.03	1941-1942 MB (Before 3/1/42), Body With Fenders, Hood, Windshield & Tailgate
12001.20	1942-1943 MB, (After 3/1/42), Body With Fenders, Hood, Windshield & Tailgate
12001.02	1944-1945 MB, Body With Fenders, Hood, Windshield & Tailgate
12001.04	1941-1945 Ford GPW, Body With Fenders, Hood, Windshield & Tailgate
12001.01	Mini MB, For Use with ATV, UTV, Go Kart, Riding Lawn Mower Chassis. With Fenders, Hood, Top Bow, Windshield & Tailgate

B. Steel Body Tubs

Part#	Description
12002.02	1941-1942 MB (Before 3/1/42)
12002.01	1942-1945 MB (After 3/1/42)
12002.03	1941-1945 Ford GPW

C. Body Mounting Hardware

Part#	Description
12201.01	1941-1945 MB and Ford GPW, Body Mounting Kit, To Mount Body To Frame, Includes Washers, Rubber Spacers, and Bolts

D. Hood & Components

Part#	Description
12003.01	1941-1945 MB and Ford GPW, Hood
12021.01	1941-1945 MB and Ford GPW, Hood Hinge, [1 Required]
12021.83	1941-1945 MB and Ford GPW, Hood Catch Assembly, Primered, LH or RH
11210.04	1941-1945 MB and Ford GPW, Hood Catch Assembly, Black Powdercoat, LH or RH
12021.77	1941-1945 MB and Ford GPW, Hood Catch Bracket, LH or RH

E. Fenders & Components

Part#	Description
12004.01	1941-1945 MB and Ford GPW, Fender, Left
12004.02	1941-1945 MB and Ford GPW, Fender, Right
12021.03	1941-1945 MB and Ford GPW, Fender Brace, Left
12021.02	1941-1945 MB and Ford GPW, Fender Brace, Right

F. Body Panels

Part#	Description
12021.99	1941-1945 MB and Ford GPW, Grille, Stamped, 9 Slats
12009.01	1941-1945 MB and Ford GPW, Side (Quarter) Panel, With Axe Sheath, Left
12009.02	1941-1945 MB and Ford GPW, Side (Quarter) Panel, Right
12010.01	1941-1945 MB and Ford GPW, Cowl Side Panel, With Step, Left
12010.02	1941-1945 MB and Ford GPW, Cowl Side Panel, With Step, Right
12021.15	1941-1945 MB and Ford GPW, Cowl Side Step, Left
12021.16	1941-1945 MB and Ford GPW, Cowl Side Step, Right
12021.21	1941-1942 MB and Ford GPW, Gas Tank Well (Cover)
12021.22	1943-1945 MB and Ford GPW, Gas Tank Well (Cover)

G. Tail Panels

Part#	Description
DMC-2758	1941-1945 MB, "Willys" Script Rear (Tail) Panel
12005.01	1941-1945 MB and Ford GPW, Rear (Tail) Panel

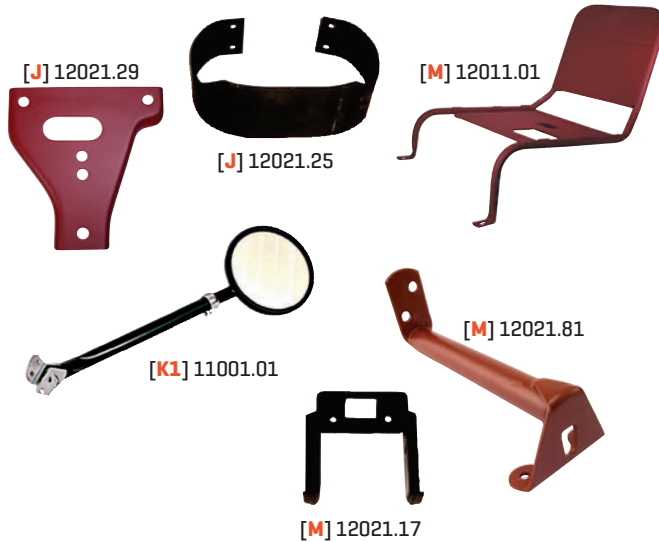
H. Floor Panel

Part#	Description
12007.01	1941-1945 MB and Ford GPW, Floor Pan, Front, One Piece
12008.01	1941-1945 MB and Ford GPW, Floor Pan, Rear, One Piece
12021.60	1941-1945 MB and Ford GPW, Floor Access Cover for Brake Master Cylinder
12021.31	1941-1945 MB, Front Frame Rail Section (18.5"), Left
12021.32	1941-1945 MB, Front Frame Rail Section (18.5"), Right
12021.91	1941-1945 MB, Front Frame Rail Section (49"), Left
12021.92	1941-1945 MB, Front Frame Rail Section (49"), Right
12021.55	1941-1945 MB and Ford GPW, Rear Floor Bracket, Inner
12021.56	1941-1945 MB and Ford GPW, Rear Floor Bracket, Outer
12021.64	1941-1945 MB and Ford GPW, Frame to Crossmember V Bracket
12021.23	1941-1945 MB and Ford GPW, Transmission & Transfer Case Crossmember

I. Windshield Frame & Components

Part#	Description
12006.01	1941-1943 MB and Ford GPW, Windshield Frame Assembly, Includes Inner and Outer Frame
12021.07	1941-1943 MB and Ford GPW, Inner Windshield Frame
12021.05	1941-1943 MB and Ford GPW, Windshield Adjusting Arm, LH or RH [2 Required] Allows Inner Windshield Frame to Tilt.
12021.06	1941-1943 MB and Ford GPW, Windshield Adjusting Knob [2 Required]
12021.09	1941-1945 MB and Ford GPW, Windshield to Cowl Bracket
12021.04	1941-1943 MB and Ford GPW, Windshield Interior Latch, LH or RH [2 Required]
12021.84	1941-1945 MB and Ford GPW, Windshield Catch Assembly (Vertical Mount), Primered, LH or RH
11210.05	1941-1945 MB and Ford GPW, Windshield Catch Assembly (Vertical Mount), Black, LH or RH
12021.10	1941-1945 MB and Ford GPW, Windshield Catch Bracket, LH or RH
12021.08	1941-1945 MB and Ford GPW, Windshield Hood Rest, Wooden

1941-1945 MB & GPW Body Parts



J. Bumpers & Components	Part#
1941-1945 MB and Ford GPW, Front Bumper	12021.26
1941-1945 MB, Front Bumper Wood Filler	12021.69
1941-1945 Ford GPW, Front Bumper Wood Filler	12021.70
1941-1945 Ford GPW, Front Bumper Gusset, Lower, Left	12021.29
1941-1945 Ford GPW, Front Bumper Gusset, Lower, Right	12021.30
1941-1945 Ford GPW, Front Bumper Gusset, Upper, Left	12021.27
1941-1945 Ford GPW, Front Bumper Gusset, Upper, Right	12021.28
1941-1945 MB and Ford GPW, Rear Bumper [Crossmember]	12021.24
1941-1945 MB and Ford GPW, Front Bumperette [2 Required]	12021.25
1941-1945 MB and Ford GPW, Windshield Hood Rest, Wooden	12021.08

K1. Body Accessories Mirrors	Part#
1941-1945 MB and Ford GPW, Round Mirrors, Black, Pair	11001.01
1941-1945 MB and Ford GPW, Side Mirror Arm	11001.10

K2. Body Accessories Handles & Mounts	Part#
1941-1945 MB and Ford GPW, Footman Loop	12021.43
1941-1945 MB and Ford GPW, Side Body Lift Handle [2 Required]	12021.48
1941-1945 MB and Ford GPW, Rear Body Lift Handle [Mounts on Rear Corners] [2 Required]	12021.47
1941-1945 MB and Ford GPW, Axe Sheath	12021.41
1941-1945 MB and Ford GPW, Axe Clamp, Front	12021.39
1941-1945 MB and Ford GPW, Axe Clamp, Rear	12021.40
1941-1945 MB and Ford GPW, Jerry Can Carrier	12021.62
1941-1945 MB and Ford GPW, Jerry Can Strap Bracket	12021.79
1941-1945 MB and Ford GPW, Shovel Mounting Bracket	12021.42
1941-1945 MB and Ford GPW, Oil Can Mounting Bracket	12021.63
1941-1945 MB and Ford GPW, Machine Gun Mounting Plate	12021.54
1941-1945 MB and Ford GPW, Pintle Hook	11550.01
1941-1945 MB and Ford GPW, 1950-1952 M38, Steel Shovel	12021.96
NEW	
1941-1945 MB and Ford GPW, 1950-1952 M38, Steel Axe NEW	12021.97

K3. Body Accessories Battery Tray	Part#
1941-1945 Ford GPW, Battery Tray	12021.61
1941-1945 Ford GPW, Battery Tray Hold Down	12021.85
1941-1945 Ford GPW, Battery Tray Hold Down Strap	12021.93
1941-1945 Ford GPW, Battery Tray Hold Down J-Bolt	12021.82

L. Top Frame	Part#
1941-1945 MB and Ford GPW, Convertible Top Frame [Bow] Assembly	12021.33
1941-1945 MB and Ford GPW, Top Bow Pivot Bracket [2 Required]	12021.34
1941-1945 MB and Ford GPW, Top Bow Side Pivot [2 Required]	12021.35
1941-1945 MB and Ford GPW, Top Bow Front Pivot, Right	12021.36
1941-1945 MB and Ford GPW, Top Bow Front Pivot, Left	12021.37

M. Interior	Part#
1941-1945 MB and Ford GPW, Rear View Mirror	11020.01
1941-1945 MB, Driver's Footrest	12021.57
1941-1945 Ford GPW, Driver's Footrest	12021.81
1941-1945 MB and Ford GPW, Glove Box Door	12021.46
1941-1945 MB, Tool Box Lid	12021.44
1941-1945 Ford GPW, Tool Box Lid	12021.45
1941-1945 MB and Ford GPW, Tool Box Lock Set	12021.76
1941-1945 MB and Ford GPW, Seat Frame, Front, Left	12011.01
1941-1945 MB and Ford GPW, Seat Frame, Front, Right	12011.02
1941-1945 MB, Seat Frame, Rear	12011.03
1941-1945 Ford GPW, Seat Frame, Rear	12011.15
1941-1945 MB and Ford GPW, Rear Seat Pivot Bracket	12021.18
1941-1945 MB and Ford GPW, Rear Seat Pivot Retainer	12021.19
1941-1945 MB and Ford GPW, Rear Seat Hook	12021.20
1941-1945 MB and Ford GPW, Rear Seat to Wheelhouse Support	12021.17
1941-1945 MB and Ford GPW, 60" Seat Belt [Lap Belt], Black	13202.04
1941-1945 MB and Ford GPW, 60" Seat Belt [Lap Belt], Tan	13202.20
1941-1945 MB and Ford GPW, 60" Seat Belt [Lap Belt], Gray	13202.30
1941-1945 MB and Ford GPW, 60" Seat Belt [Lap Belt], Olive Drab	13202.40
1941-1945 MB and Ford GPW, 60" Seat Belt Retractable [Lap Belt], Black	13202.02
1941-1945 MB and Ford GPW, 60" Seat Belt Retractable [Lap Belt], Tan	13202.21
1941-1945 MB and Ford GPW, 60" Seat Belt Retractable [Lap Belt], Gray	13202.31
1941-1945 MB and Ford GPW, 60" Seat Belt Retractable [Lap Belt], Olive Drab	13202.41

N. Weatherstrip & Felt	Part#
1941-1945 MB and Ford GPW, Windshield Weatherstrip, Inner to Outer Frame [1 Required]	12301.01
1941-1945 MB and Ford GPW, Windshield Glass Seal, Seals Glass to Inner Frame [2 Required]	12301.02
1941-1945 MB and Ford GPW, Cowl Seal	12302.01
1941-1945 MB and Ford GPW, Gas Tank Felt Kit	12021.87
1941-1945 MB and Ford GPW, Tool Box Lid Felt Kit	12021.89
1941-1945 MB and Ford GPW, Radiator Air Deflector Welting	12021.86

O. Wheels & Accessories	Part#
1941-1945 MB and Ford GPW, Steel Wheel, One Piece [Civilian Style] 16"x5.75"	16725.01
1941-1945 MB and Ford GPW, Steel Wheel, Split [Military Style] 16"x5.75"	16725.02
1941-1943 MB and Ford GPW, Tire Carrier, 2 Bolt Style	12021.12
1941-1943 MB and Ford GPW, Tire Carrier Support Bracket	12021.13
1941-1943 MB and Ford GPW, Tire Carrier Retainer Plate	12021.14
1944-1945 MB and Ford GPW, Tire Carrier, 3 Bolt Style	12021.11

Body kits, body tubs and body parts are sold "As Is". See Limited Warranty Information inside back cover. Drilling, cutting and other modifications may be required for proper installation. Claims for freight damage must be placed with freight carriers.

1950-1952 M38 Body Parts

[G] 12005.02



[C] 12201.01

[A] 12001.05



[D] 12021.01

[E] 12004.03



[I] 12023.01



[F] 12009.03

[F] 12010.03



[I] 12006.02



A. Steel Body Kits

Part#

1950-1952 M38, Body With Fenders, Hood, Windshield & Tailgate 12001.05

B. Steel Body Tubs

Part#

1950-1952 M38, Body Tub 12002.04

C. Body Mounting Hardware

Part#

1950-1952 M38, Body Mounting Kit, To Mount Body To Frame, Includes Washers, Rubber Spacers, and Bolts 12201.01

D. Hood & Components

Part#

1950-1952 M38, Hood 12003.02

1950-1952 M38, Hood Hinge, [1 Required] 12021.01

E. Fenders & Components

Part#

1950-1952 M38, Fender, Left 12004.03

1950-1952 M38, Fender, Right 12004.04

F. Body Panels

Part#

1950-1952 M38, Side [Quarter] Panel, Left 12009.03

1950-1952 M38, Side [Quarter] Panel, Right 12009.04

1950-1952 M38, Cowl Side Panel, With Step, Left 12010.03

1950-1952 M38, Cowl Side Panel, With Step, Right 12010.04

1950-1952 M38, Cowl Side Panel Step, Left 12021.15

1950-1952 M38, Cowl Side Panel Step, Right 12021.16

1950-1952 M38, Cowl Panel Top 12023.47

1950-1952 M38, Door Channel, Left 12023.33

1950-1952 M38, Door Channel, Right 12023.32

1950-1952 M38, Door Hinge Bracket, Left 12023.35

1950-1952 M38, Door Hinge Bracket, Right 12023.34

G. Tailgates

Part#

1950-1952 M38, Tailgate 12005.02

1950-1952 M38, Tailgate Hine, LH or RH 12023.22

H. Floor Panel

Part#

1950-1952 M38, Floor Pan, Front, One Piece 12007.02

1950-1952 M38, Floor Pan, Rear, One Piece 12008.02

1950-1952 M38, Floor Drain Hole Cover [2 Required] 12023.38

1950-1952 M38, Floor Access Cover for Brake Master Cylinder 12023.37

1950-1952 M38, Transmission Floor Access Cover, Center 12023.39

1950-1952 M38, Transmission & Transfer Case Crossmember 12023.18

1950-1952 M38, Intermediate Frame Crossmember 12023.48

I. Windshield Frame & Components

Part#

1950-1952 M38, Windshield Frame 12006.02

1950-1952 M38, Windshield Pivot Bracket, Right 12023.02

1950-1952 M38, Windshield Pivot Bracket, Left 12023.01

1950-1952 M38, Windshield Pivot Bolt [2 Required] 12023.03

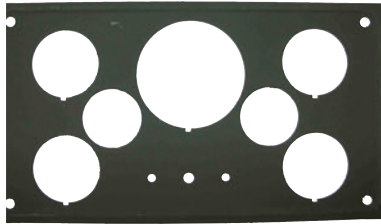
1950-1952 M38, Windshield Hood Rest [Wooden] 12023.05

1950-1952 M38, Ventilator Cover [Windshield Mounted] 12023.06

1950-1952 M38, Windshield Top Retainer Channel 12023.46

1950-1952 M38, Windshield Interior Latch, LH or RH [2 Required] 12023.04

Body kits, body tubs and body parts are sold "As Is". See Limited Warranty Information inside back cover. Drilling, cutting and other modifications may be required for proper installation. Claims for freight damage must be placed with freight carriers.



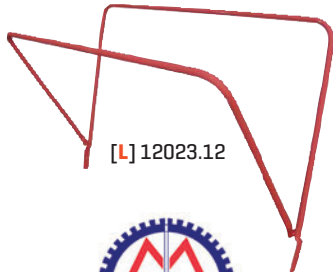
[M] 12023.36



[K] 12023.25



[O] 16725.01



[L] 12023.12



[M] 12011.07



[J] 12023.19



[N] 12021.86



[M] 13202.40

J. Bumpers & Components

	Part#
1950-1952 M38, Front Bumper	12023.19
1950-1952 M38, Rear Bumper [Crossmember]	12023.20

K. Body Accessories

	Part#
1950-1952 M38, Round Mirrors, Black, Pair	11001.01
1950-1952 M38, Footman Loop, Olive Drab	12023.27
1950-1952 M38, Footman Loop, Chrome	12023.28
1950-1952 M38, Axe Sheath	12023.25
1950-1952 M38, Axe Clamp, Front	12023.24
1950-1952 M38, Shovel Bracket	12023.26
1950-1952 M38, Radio Bracket	12023.29
1950-1952 M38, First Aid Kit Mounting Bracket	12023.40
1950-1952 M38, Machine Gun Mounting Bracket	12023.31
1950-1952 M38, Fuel Filler Brush Guard	12023.30
1950-1952, Jerry Can Carrier	12021.62

L. Top Frame

	Part#
1950-1952 M38, Convertible Top Frame [Bow] Assembly	12023.12
1950-1952 M38, Top Bow Storage Bracket, Rear	12023.14
1950-1952 M38, Top Bow Socket [2 Required]	12023.13
1950-1952 M38, Top Bow Storage Bracket, Front	12023.15

M. Interior

	Part#
1950-1952 M38, Rear View Mirror	11020.01
1950-1952 M38, Instrument Cluster	12023.36
1950-1952 M38, Glove Box Door	12023.41
1950-1952 M38, Tool Box Lid	12023.42
1950-1952 M38, Seat Frame, Front, Left	12011.05
1950-1952 M38, Seat Frame, Front, Right	12011.06
1950-1952 M38, Seat Frame, Rear	12011.07
1950-1952 M38, Rear Seat to Wheelhouse Support	12023.07
1950-1952 M38, Rear Seat Pivot Bracket	12023.08
1950-1952 M38, Rear Seat Pivot Retainer	12023.09
1950-1952 M38, Rear Seat Frame Spring Retainer [2 Required]	12023.10
1950-1952 M38, 60" Seat Belt [Lap Belt], Black	13202.04
1950-1952 M38, 60" Seat Belt [Lap Belt], Tan	13202.20
1950-1952 M38, 60" Seat Belt [Lap Belt], Gray	13202.30
1950-1952 M38, 60" Seat Belt [Lap Belt], Olive Drab	13202.40
1950-1952 M38, 60" Seat Belt Retractable [Lap Belt], Black	13202.02
1950-1952 M38, 60" Seat Belt Retractable [Lap Belt], Tan	13202.21
1950-1952 M38, 60" Seat Belt Retractable [Lap Belt], Gray	13202.31
1950-1952 M38, 60" Seat Belt Retractable [Lap Belt], Olive Drab	13202.41

N. Weatherstrip & Felt

	Part#
1950-1952 M38, Windshield Weatherstrip	12301.03
1950-1952 M38, Windshield to Cowl Weatherstrip	12302.01
1950-1952 M38, Fuel Filler Neck Grommet	12023.11
1950-1952 M38, Gas Tank Felt Kit	12021.87
1950-1952 M38, Radiator Air Deflector Welting	12021.86

O. Wheels & Accessories

	Part#
1950-1952 M38, Steel Wheel, One Piece [Civilian Style] 16"x5.75"	16725.01
1950-1952 M38, Spare Tire Carrier	12023.16
1950-1952 M38, Tire Carrier Mounting Bracket Retainer	12023.17

Body kits, body tubs and body parts are sold "As Is". See Limited Warranty Information inside back cover. Drilling, cutting and other modifications may be required for proper installation. Claims for freight damage must be placed with freight carriers.

1945-1949 CJ2A, 1948-1953 CJ3A, 1953-1967 CJ3B Body Parts



[H] 12005.03



[F] 12004.05



[A] 12001.07

[I] 12008.03



[G] 12009.05



[F] 12004.06



[E] DMC-670969



AUTHENTIC RESTORATION PRODUCT

MOPAR, JEEP, DODGE, HEMI, PLYMOUTH, RAM, and CHRYSLER vehicles, images and logos are trademarks of Chrysler Group LLC used under license to Omix-Ada. © Chrysler Group LLC 2011

Look for the star to check out all the Mopar Licensed Products



[D] DMC-681798

[C] 12201.01



[B] 12002.06

A. Steel Body Kits

Part#

1945-1949 CJ2A, Body With Fenders, Hood, Windshield & Tailgate	12001.07
1945-1949 CJ2A, Willys Stamped, Body With Fenders, Hood W/ Willys Script, Windshield & Tailgate W/ Willys Script	DMC-673859-2A
1948-1953 CJ3A, Body With Fenders, Hood, Windshield & Tailgate	12001.08
1948-1953 CJ3A, Willys Stamped, Body With Fenders, Hood W/ Willys Script, Windshield & Tailgate W/ Willys Script	DMC-673859-3A
1953-1964 CJ3B, Body With Fenders, Hood, Windshield & Tailgate	12001.09
1953-1967 CJ3B, Willys Stamped, Body With Fenders, Hood W/ Willys Script, Windshield & Tailgate W/ Willys Script	DMC-693197

B. Steel Body Tubs

Part#

1945-1949 CJ2A, Body Tub	12002.06
1948-1953 CJ3A, Body Tub	12002.07
1953-1967 CJ3B, Body Tub	12002.08

C. Body Mounting Hardware

Part#

1945-1949 CJ2A, 1948-1953 CJ3A, 1953-1967 CJ3B, Body Mounting Kit, To Mount Body To Frame, Includes Washers, Rubber Spacers, and Bolts	12201.01
--	----------

D. Grilles

Part#

1945-1946 CJ2A, Grille	DMC-663536
1947-1949 CJ2A, Grille	DMC-668124
1948-1953 CJ3A, Grille	DMC-673149
1959-1967 CJ3B, Grille With Willys Script	DMC-681798

E. Hood & Components

Part#

1945-1949 CJ2A, 1948-1953 CJ3A, Hood With Willys Script	DMC-670969
1945-1949 CJ2A, 1948-1953 CJ3A, Hood	12003.01
1953-1967 CJ3B Hood	12003.03
1953-1967 CJ3B, Hood With Willys Script	DMC-681334
1945-1949 CJ2A, 1948-1953 CJ3A, 1953-1967 CJ3B, Hood Hinge [1 Required]	12021.01

F. Fenders & Components

Part#

1945-1949 CJ2A, Fender, Left	12004.05
1945-1949 CJ2A, Fender, Right	12004.06
1948-1953 CJ3A, 1953-1967 CJ3B, Fender Left	12004.03
1948-1953 CJ3A, 1953-1967 CJ3B, Fender Right	12004.04

G. Body Panels

Part#

1945-1949 CJ2A, 1948-1953 CJ3A, Side [Quarter] Panel, Left	12009.05
1945-1949 CJ2A, 1948-1953 CJ3A, Side [Quarter] Panel, Right	12009.06
1945-1949 CJ2A, 1948-1953 CJ3A, Cowl Panel Top	12025.11
1945-1949 CJ2A, 1948-1953 CJ3A, Cowl Side Panel, With Step, Left	12010.05
1945-1949 CJ2A, 1948-1953 CJ3A, Cowl Side Panel, With Step, Right	12010.06
1945-1949 CJ2A, 1948-1953 CJ3A, Cowl Side Step, Left	12021.15
1945-1949 CJ2A, 1948-1953 CJ3A, Cowl Side Step, Right	12021.16
1945-1949 CJ2A, 1948-1953 CJ3A, Firewall Panel	12025.16
1945-1949 CJ2A, Wheel Well, Lower Rear, Left	12025.43
1945-1949 CJ2A, Wheel Well, Lower Rear, Right	12025.44
1945-1949 CJ2A, Wheel Well, Upper Rear, Left	12025.41
1945-1949 CJ2A, Wheel Well, Upper Rear, Right	12025.42
1948-1953 CJ3A, Wheel Well, Lower Rear, Left	12025.19
1948-1953 CJ3A, Wheel Well, Lower Rear, Right	12025.20
1948-1953 CJ3A, Wheel Well, Upper Rear, Left	12025.21
1948-1953 CJ3A, Wheel Well, Upper Rear, Right	12025.22
1945-1949 CJ2A, 1948-1953 CJ3A, 1953-1967 CJ3B, Fuel Filler Neck Housing	12025.25
1945-1949 CJ2A, 1948-1953 CJ3A, Tail Light Panel, Left	12025.17
1945-1949 CJ2A, 1948-1953 CJ3A, Tail Light Panel, Right	12025.18

H. Tailgates

Part#

1945-1949 CJ2A, 1948-1953 CJ3A, 1953-1967 CJ3B, Tailgate	12005.03
1945-1949 CJ2A, 1948-1953 CJ3A, 1953-1967 CJ3B, Tailgate With Willys Script	DMC-663188
1945-1949 CJ2A, 1948-1953 CJ3A, 1953-1967 CJ3B, Tailgate Hinge [2 Required]	12025.01

I. Floor Pans & Frame Rails

Part#

1945-1949 CJ2A, 1948-1953 CJ3A, Floor Pan, Front, One Piece	12007.03
1945-1949 CJ2A, 1948-1953 CJ3A, Floor Pan, Rear, One Piece	12008.03
1945-1949 CJ2A, 1948-1953 CJ3A, 1953-1967 CJ3B, Rear Floor Bracket, Inner	12021.55
1945-1949 CJ2A, 1948-1953 CJ3A, 1953-1967 CJ3B, Frame to Crossmember V Bracket	12021.64
1945-1949 CJ2A, 1948-1953 CJ3A, 1953-1967 CJ3B, Body Outrigger [Frame] Mounts [6 Required]	12025.31

Body kits, body tubs and body parts are sold "As Is". See Limited Warranty Information inside back cover. Drilling, cutting and other modifications may be required for proper installation. Claims for freight damage must be placed with freight carriers.

1945-1949 CJ2A, 1948-1953 CJ3A, 1953-1967 CJ3B Body Parts



[M] 12011.10



[K] 12025.35



[O] 16725.01



[M] 12011.08



[L] 12025.34



J. Windshield Frame & Components	Part#
1945-1949 CJ2A, Windshield Frame Assembly, Includes Inner and Outer Frame	12006.03
1948-1953 CJ3A, Windshield Frame	12006.04
1945-1949 CJ2A, Inner Windshield Frame	12025.03
1953-1967 CJ3B, Windshield Frame	12006.05
1945-1949 CJ2A, Windshield Interior Latch, Center Mount	12025.04
1945-1949 CJ2A, Windshield Adjusting Arm Assembly, Left	12025.05
1945-1949 CJ2A, Windshield Adjusting Arm Assembly, Right	12025.06
1945-1949 CJ2A, Windshield Adjusting Arm Thumb Bolt (Winged) [2 Required]	12025.07
1945-1949 CJ2A, Windshield Ventilation Cover Kit, With Handle and Spring	12025.08
1945-1949 CJ2A, Windshield Ventilation Handle & Spring Kit	12025.09
1945-1949 CJ2A, 1948-1953 CJ3A, 1953-1967 CJ3B, Windshield Interior Latch, LH or RH [2 Required]	12021.04
1945-1949 CJ2A, 1948-1953 CJ3A, 1953-1967 CJ3B, Windshield Pivot Bracket, Left	12023.01
1945-1949 CJ2A, 1948-1953 CJ3A, 1953-1967 CJ3B, Windshield Pivot Bracket, Right	12023.02
1945-1949 CJ2A, 1948-1953 CJ3A, 1953-1967 CJ3B, Windshield Tie Down Strap	11825.20

K. Top Frame	Part#
1945-1949 CJ2A, 1948-1953 CJ3A, Top Bow Bracket, Front, Center	12025.37
1945-1949 CJ2A, 1948-1953 CJ3A, Top Bow Bracket, Front, Left	12025.35
1945-1949 CJ2A, 1948-1953 CJ3A, Top Bow Bracket, Front, Right	12025.36
1945-1949 CJ2A, 1948-1953 CJ3A, Top Bow Bracket, Rear, Left	12025.39
1945-1949 CJ2A, 1948-1953 CJ3A, Top Bow Bracket, Rear, Right	12025.38
1945-1949 CJ2A, 1948-1953 CJ3A, Top Bow Bracket, Rear	12025.40

L. Body Accessories	Part#
1945-1949 CJ2A, 1948-1953 CJ3A, 1953-1967 CJ3B, Round Mirrors, Black, Pair	11001.01
1945-1949 CJ2A, 1948-1953 CJ3A, 1953-1967 CJ3B, Footman Loop, Chrome	12023.28
1945-1949 CJ2A, 1948-1953 CJ3A, Battery Tray	12021.90
1945-1949 CJ2A, 1948-1953 CJ3A, Battery Tray Hold Down J-Bolt	12021.82
1945-1949 CJ2A, 1948-1953 CJ3A, 1953-1967 CJ3B, Side Step [Pair], Later CJ5 Style	12025.34
1945-1949 CJ2A, 1948-1953 CJ3A, 1953-1967 CJ3B, Jerry Can Carrier	12021.62
1945-1949 CJ2A, 1948-1953 CJ3A, 1953-1967 CJ3B, Pintle Hook	11550.01

M. Interior	Part#
1945-1949 CJ2A, 1948-1953 CJ3A, 1953-1967 CJ3B, Rear View Mirror	11020.01
1945-1949 CJ2A, 1948-1953 CJ3A, Dash Panel, With Cutouts	12025.15
1945-1949 CJ2A, 1948-1953 CJ3A, 1953-1967 CJ3B, Tool Box Lid	12023.42
1945-1949 CJ2A, 1948-1953 CJ3A, 1953-1967 CJ3B, Tool Box Assembly With Lid	12025.10
1945-1949 CJ2A, 1948-1953 CJ3A, 1953-1967 CJ3B, Toolbox With Jeep Script	DMC-3227K
1945-1949 CJ2A, Seat Frame, Front, Left	12011.09
1945-1949 CJ2A, Seat Frame, Front, Right	12011.10
1945-1949 CJ2A, Seat Frame, Rear	12011.08
1948-1953 CJ3A, 1953-1967 CJ3B, Seat Frame, Front, Left	12011.13
1948-1953 CJ3A, 1953-1967 CJ3B, Seat Frame, Front, Right	12011.14
1948-1953 CJ3A, 1953-1967 CJ3B, Seat Frame, Rear	12011.12
1945-1949 CJ2A, 1948-1953 CJ3A, 1953-1967 CJ3B, 60" Seat Belt [Lap Belt], Black	13202.04
1945-1949 CJ2A, 1948-1953 CJ3A, 1953-1967 CJ3B, 60" Seat Belt [Lap Belt], Tan	13202.20
1945-1949 CJ2A, 1948-1953 CJ3A, 1953-1967 CJ3B, 60" Seat Belt [Lap Belt], Gray	13202.30
1945-1949 CJ2A, 1948-1953 CJ3A, 1953-1967 CJ3B, 60" Seat Belt [Lap Belt], Olive Drab	13202.40
1945-1949 CJ2A, 1948-1953 CJ3A, 1953-1967 CJ3B, 60" Seat Belt Retractable [Lap Belt], Black	13202.02
1945-1949 CJ2A, 1948-1953 CJ3A, 1953-1967 CJ3B, 60" Seat Belt Retractable [Lap Belt], Tan	13202.21
1945-1949 CJ2A, 1948-1953 CJ3A, 1953-1967 CJ3B, 60" Seat Belt Retractable [Lap Belt], Gray	13202.31
1945-1949 CJ2A, 1948-1953 CJ3A, 1953-1967 CJ3B, 60" Seat Belt Retractable [Lap Belt], Olive Drab	13202.41
1949-1964 CJ-3A & CJ3-B, Rear Seat Frame NEW	12011.04

N. Weatherstrip	Part#
1945-1949 CJ2A, Windshield Weatherstrip, Inner to Outer Frame [1 Required]	12301.01
1945-1949 CJ2A, Windshield Glass Seal, Seals Glass to Inner Frame [2 Required]	12301.02
1945-1949 CJ2A, 1948-1953 CJ3A, 1953-1967 CJ3B, Windshield to Cowl Weatherstrip	12302.01
1948-1953 CJ3A, 1953-1967 CJ3B, Windshield Weatherstrip	12301.03
1945-1949 CJ2A, 1948-1953 CJ3A, 1953-1967 CJ3B, Fuel Filler Neck Grommet	12025.23
1945-1949 CJ2A, 1948-1953 CJ3A, 1953-1967 CJ3B, Gas Tank Felt Kit [8 Piece Kit]	12021.87
1945-1949 CJ2A, 1948-1953 CJ3A, 1953-1967 CJ3B, Radiator Air Deflector Welting	12021.86

O. Wheels & Accessories	Part#
1945-1949 CJ2A, 1948-1953 CJ3A, 1953-1967 CJ3B, Steel Wheel, One Piece [Civilian Style] 16"x5.75"	16725.01
1945-1949 CJ2A, 1948-1953 CJ3A, 1953-1967 CJ3B, Spare Tire Carrier	12025.27



MOPAR, JEEP, DODGE, HEMI, PLYMOUTH, RAM, and CHRYSLER vehicles, images and logos are trademarks of Chrysler Group LLC used under license to Omix-Ada®, © Chrysler Group LLC 2011

1955-1975 CJ5, 1955-1975 CJ6, 1952-1971 M38A1



A. Steel Body Kits

	Part#
1955-1968 CJ5, Body With Fenders, Hood, Windshield & Tailgate	12001.10
1969 CJ5, Body With Fenders, Hood, Windshield & Tailgate	12001.11
1970-1971 CJ5, Body With Fenders, Hood, Windshield & Tailgate	12001.12
1972-1975 CJ5, Body With Fenders, Hood, Windshield & Tailgate	12001.13
1955-1968 CJ6, Body With Fenders, Hood, Windshield & Tailgate	12001.14
1969-1971 CJ6, Body With Fenders, Hood, Windshield & Tailgate	12001.19
1952-1971 M38A1, Body With Fenders, Hood, Windshield & Tailgate	12001.15

B. Steel Body Tubs

	Part#
1955-1969 CJ5, Body Tub	12002.09
1955-1969 CJ5, Body Tub, With Jeep Script Stamped In Cowl Sides	DMC-680637
1970-1971 CJ5, Body Tub	12002.10
1970-1971 CJ5, Body Tub, With Jeep Script Stamped In Cowl Sides	DMC-680637-VC
1972-1975 CJ5, Body Tub	12002.11
1972-1975 CJ5, Body Tub, With Jeep Script Stamped In Cowl Sides	DMC-680637-VD
1955-1971 CJ6, Body Tub	12002.12

C. Body Mounting Hardware

	Part#
1955-1975 CJ5 & CJ6, 1952-1971 M38A1, To Mount Body To Frame, Includes Washers, Rubber Spacers, and Bolts	12201.01
1972-1975 CJ5 & CJ6, Body Mounting Washer Kit (8 Pieces)	12217.01
1955-1971, CJ5 & CJ6, Body Fastner Kit (405 Pieces)	12215.01
1972-1975, CJ5 & CJ6, Body Fastner Kit, Without Tailgate (456 Pieces)	12215.03
1955-1975, CJ5 & CJ6, Body Fastner Kit, With Tailgate (539 Pieces)	12215.02

D. Grilles

	Part#
1972-1975 CJ5 & CJ6, Grille	DMC-5752656

E. Hood & Components

	Part#
1955-1975 CJ5 & CJ6, 1952-1971 M38A1, Hood	12003.04
1972-1975 CJ5 & CJ6, Hood	12003.05

F. Fenders & Components

	Part#
1955-1975 CJ5 & CJ6, 1952-1971 M38A1, Fender Left	12004.07
1955-1975 CJ5 & CJ6, 1952-1971 M38A1, Fender Right	12004.08
1969-1971 CJ5 & CJ6, Fender, With Side Marker Indent, Left	12004.09
1969-1971 CJ5 & CJ6, Fender, With Side Marker Indent, Right	12004.10
1972-1975 CJ5 & CJ6, Fender, With Side Marker Indent, Left	12004.11
1972-1975 CJ5 & CJ6, Fender, With Side Marker Indent, Right	12004.12

G. Floor Pans & Frame Rails

	Part#
1955-1969 CJ5 & CJ6, 1952-1971 M38A1, Floor Pan, Front (One Piece)	12007.04
1970-1975 CJ5 & CJ6, Floor Pan, Front (One Piece)	12007.07
1955-1975 CJ5 & CJ6, 1952-1971 M38A1, Floor Pan, Rear (One Piece)	12008.04
1955-1971 CJ5 & CJ6, 1952-1971 M38A1, Transmission Floor Access Cover, Center	12027.02

I. Windshield Frame & Components

	Part#
1955-1968 CJ5 & CJ6, Windshield Frame, With Top Mounted Wipers	12006.06
1967-1975 CJ5 & CJ6, Windshield Frame, With Bottom Mounted Wipers	12006.07
1955-1975 CJ5 & CJ6, 1952-1971 M38A1, Windshield Hinge Set	12027.07
1955-1975 CJ5 & CJ6, 1952-1971 M38A1, Windshield Hinge, Upper, Left	12027.03
1955-1975 CJ5 & CJ6, 1952-1971 M38A1, Windshield Hinge, Upper, Right	12027.04
1955-1975 CJ5 & CJ6, 1952-1971 M38A1, Windshield Hinge, Lower, Left	12027.05
1955-1975 CJ5 & CJ6, 1952-1971 M38A1, Windshield Hinge, Lower, Right	12027.06
1955-1975 CJ5 & CJ6, 1952-1971 M38A1, Windshield Tie Down Strap	11825.20

J. Tailgates

	Part#
1955-1975 CJ5 & CJ6, Tailgate	12005.03
1955-1968 CJ5 & CJ6, Tailgate, With Willys Script	DMC-663188
1969-1975 CJ5 & CJ6, Tailgate, With Jeep Script	DMC-685459
1952-1971 M38A1 Rear Tailgate Panel	12005.04
1955-1975 CJ5 & CJ6, Tailgate Hinge (2 Required)	12025.01

K. Bumpers & Components

	Part#
1955-1975 CJ5 & CJ6, 1952-1971 M38A1, Front Bumper	12029.03
1955-1975 CJ5 & CJ6, 1952-1971 M38A1, Rear Bumper (Crossmember)	12027.01

Body kits, body tubs and body parts are sold "As Is". See Limited Warranty Information inside back cover. Drilling, cutting and other modifications may be required for proper installation. Claims for freight damage must be placed with freight carriers.



Look for the star to check out all the Mopar Licensed Products



L. Fender Flares	Part#
1955-1975 CJ5, Fender Flare Kit (Includes hardware)	11601.01
1955-1975 CJ5 & CJ6, Fender Flare, Front, Left	11601.03
1955-1975 CJ5 & CJ6, Fender Flare, Front, Right	11601.02
1955-1975 CJ5, Fender Flare, Rear, Left	11601.05
1955-1975 CJ5, Fender Flare, Rear, Right	11601.04
1955-1975 CJ5 & CJ6, Fender Flare Hardware Kit	11601.06

M. Body Accessories	Part#
1955-1964 CJ5 & CJ6, 1952-1964 M38A1, Round Mirrors, Black, Pair	11001.01
1965-1975 CJ5 & CJ6, 1955-1971 M38A1, Square Mirrors, Black, Pair	11001.02
1965-1975 CJ5 & CJ6, 1955-1971 M38A1, Square Mirrors, Convex, Black, Pair	11001.03
1965-1975 CJ5 & CJ6, 1955-1971 M38A1, Square Mirrors, Stainless Steel, Pair	11005.01
1965-1975 CJ5 & CJ6, 1955-1971 M38A1, Square Mirrors, Convex, Stainless Steel, Pair	11005.02
1965-1975 CJ5 & CJ6, 1955-1971 M38A1, Square Mirrors, Chrome, Pair	11010.01
1955-1971 CJ5 & CJ6, 1952-1971 M38A1, Side Steps (Pair)	12025.34
1955-1971 CJ5 & CJ6, 1952-1971 M38A1, Jerry Can Carrier	12021.62
1955-1971 CJ5 & CJ6, 1952-1971 M38A1, Pintle Hook	11550.01
1955-1975 CJ5, CJ5 Emblem (Self Adhesive) (OE for 1972 & up)	DMC-5455179
1955-1975 CJ5 & CJ6, Jeep Emblem (Self Adhesive) (OE for 1972 & up)	DMC-5451627

N. Interior	Part#
1972-1975 CJ5 & CJ6, Torx Head Dash Bolt	17258.01
1955-1975 CJ5 & CJ6, 1952-1971 M38A1, Grab Bar Handle, Stainless Steel	11123.01
1955-1975 CJ5 & CJ6, 1952-1971 M38A1, Grab Bar Handle, Black	11203.01
1955-1975 CJ5 & CJ6, Glove Box Door, Black	11228.01
1955-1975 CJ5 & CJ6, Glove Box Door, Stainless Steel	11125.01
1955-1971 CJ5 & CJ6, Glove Box Insert, Extra Large Capacity (Plastic)	13316.03
1955-1971 CJ5 & CJ6, Glove Box Insert (Plastic)	13316.02
1972-1975 CJ5 & CJ6, Glove Box Insert (Plastic)	13316.01
1968-1975 CJ5 & CJ6, Heater & Wiper Switch Knob, Black	13318.05
1973-1975 CJ5 & CJ6, Heater & Wiper Switch Knob, Black	13318.06
1955-1971 CJ5 & CJ6, 1952-1971 M38A1, Rear View Mirror	11020.01
1955-1971 CJ5 & CJ6, 1952-1971 M38A1, Tool Box Compartment, With Lid	12025.10
1955-1975 CJ5 & CJ6, 1952-1971 M38A1, Toolbox With Jeep Script	DMC-3227K
1955-1971 CJ5 & CJ6, 1952-1971 M38A1, Tool Box Compartment Lid	12023.42
1972-1975 CJ5 & CJ6, Sun Visor, Black, LH or RH	13301.01
1972-1975 CJ5 & CJ6, Sun Visor, Gray, LH or RH	13301.09
1972-1975 CJ5 & CJ6, Sun Visor, Charcoal, LH or RH	13301.15
1972-1975 CJ5 & CJ6, Sun Visor, Spice, LH or RH	13301.37
1955-1971 CJ5 & CJ6, 1952-1971 M38A1, 60" Seat Belt (Lap Belt), Black	13202.04
1955-1971 CJ5 & CJ6, 1952-1971 M38A1, 60" Seat Belt (Lap Belt), Tan	13202.20
1955-1971 CJ5 & CJ6, 1952-1971 M38A1, 60" Seat Belt (Lap Belt), Gray	13202.30
1955-1971 CJ5 & CJ6, 1952-1971 M38A1, 60" Seat Belt (Lap Belt), Olive Drab	13202.40
1955-1971 CJ5 & CJ6, 1952-1971 M38A1, 60" Seat Belt Retractable (Lap Belt), Black	13202.02
1955-1971 CJ5 & CJ6, 1952-1971 M38A1, 60" Seat Belt Retractable (Lap Belt), Tan	13202.21
1955-1971 CJ5 & CJ6, 1952-1971 M38A1, 60" Seat Belt Retractable (Lap Belt), Gray	13202.31
1955-1971 CJ5 & CJ6, 1952-1971 M38A1, 60" Seat Belt Retractable (Lap Belt), Olive Drab	13202.41
1952-1971 M38-A1, Front Seat Frame, Left NEW	12011.16
1952-1971 M38-A1, Front Seat Frame, Right NEW	12011.17
1952-1971 M38-A1, Rear Seat Frame NEW	12011.18



O. Weatherstrip & Felt	Part#
1955-1975 CJ5 & CJ6, 1952-1971 M38A1, Windshield Weatherstrip	12301.03
1955-1975 CJ5 & CJ6, 1952-1971 M38A1, Windshield to Cowl Weatherstrip	12302.02
1972-1975 CJ5 & CJ6, Grille to Hood Grommet (Bumper) [4 Required]	12029.01
1955-1971 CJ5 & CJ6, 1952-1971 M38A1, Fuel Filler Neck Housing	12025.25
1955-1969 CJ5 & CJ6, 1952-1971 M38A1, Gas Tank Felt Kit (8 Piece Kit)	12021.87

P. Wheels & Accessories	Part#
1955-1971 CJ5 & CJ6, 1952-1971 M38A1, One Piece Wheel (Civilian Style) 16"x5.75"	16725.01
1955-1971 CJ5 & CJ6, 1952-1971 M38A1, Tire Carrier	12025.27

1976-1983 CJ5, 1976-1986 CJ7, 1981-1986 CJ8 Body Parts



[E] 12003.05



[G] 12007.05



[A] 12001.17



[H] 19135.01

[I] 12005.03



[H] 12006.08



[B] 12002.13





[C] 12201.02

A. Steel Body Kits

	Part#
1976-1986 CJ7, Body With Fenders, Hood, Windshield & Tailgate	12001.17
1981-1986 CJ8 Scrambler, Body With Fenders, Hood, Windshield & Tailgate	12001.18


B. Steel Body Tubs

	Part#
1976-1983 CJ5, Body Tub	12002.13
1976-1983 CJ5, Body Tub, With Jeep Script Stamped In Cowl Sides 	DMC-5461335
1976-1986 CJ7, Body Tub	12002.14
1976-1986 CJ7, Body Tub, With Jeep Script Stamped In Cowl Sides 	DMC-5464362
1981-1986 CJ8 Scrambler, Body Tub	12002.15

C. Body Mounting Hardware

	Part#
1976-1983 CJ5, 1976-1986 CJ7, 1981-1986 CJ8, Body Mount Bushing Kit (Polyurethane)	12201.02
1976-1986 CJ7, Body Mount Bushing Kit, For Fiberglass Bodies (Polyurethane)	12201.03
1976-1983 CJ5, Body Fastener Kit, Without Tailgate (582 Pieces)	12215.05
1976-1983 CJ5, Body Fastener Kit, With Tailgate (624 Pieces)	12215.04
1976-1986 CJ7, Body Fastener Kit, With Soft Top (620 Pieces)	12215.07
1976-1986 CJ7, Body Fastener Kit, With Hardtop (785 Pieces)	12215.06
1981-1986 CJ8, Body Fastener Kit, With Soft Top (640 Pieces)	12215.10
1981-1986 CJ8, Body Fastener Kit, With Hardtop (714 Pieces)	12215.09

D. Grilles

	Part#
1976-1983 CJ5, 1976-1986 CJ7, 1981-1986 CJ8, Grille 	DMC-5752656

E. Hood & Components

	Part#
1976-1983 CJ5, 1976-1986 CJ7, 1981-1986 CJ8, Hood	12003.05
1976-1983 CJ5, 1976-1986 CJ7, 1981-1986 CJ8, Hood Hinge Bolt	12029.30

F. Fenders & Components

	Part#
1976-1983 CJ5, 1976-1986 CJ7, 1981-1986 CJ8, Fender, Left	12004.11
1976-1983 CJ5, 1976-1986 CJ7, 1981-1986 CJ8, Fender, Right	12004.12

G. Floor Pans

	Part#
1976-1983 CJ5, Floor Panel, One Piece, Front	12007.05
1976-1986 CJ7, 1981-1986 CJ8, Floor Panel, One Piece, Front	12007.06
1976-1983 CJ5, Floor Panel, One Piece, Rear	12008.05
1976-1986 CJ7, Floor Panel, One Piece, Rear	12008.06
1976-1983 CJ5, 1976-1986 CJ7, 1981-1986 CJ8, Floor Grommet (1" Diameter)	12029.19



MOPAR, JEEP, DODGE, HEMI, PLYMOUTH, RAM, and CHRYSLER Vehicles, Images and Logos are Trademarks of Chrysler Group LLC used under license to Omix-Ada®. © Chrysler Group LLC 2011

 Look for the star to check out all the Mopar Licensed Products



[F] 12004.11



[F] 12004.12



[D] DMC-5752656



H. Windshield Frame & Components

	Part#
1976-1983 CJ5, 1976-1986 CJ7, 1981-1986 CJ8, Windshield Frame	12006.08
1976-1983 CJ5, 1976-1986 CJ7, 1981-1986 CJ8, Windshield Hinge Set	12029.07
1976-1983 CJ5, 1976-1986 CJ7, 1981-1986 CJ8, Windshield Hinge, Left	12029.09
1976-1983 CJ5, 1976-1986 CJ7, 1981-1986 CJ8, Windshield Hinge, Right	12029.08
1976-1983 CJ5, 1976-1986 CJ7, 1981-1986 CJ8, Windshield Hinge Screw (16 Required)	12029.06
1976-1983 CJ5, 1976-1986 CJ7, 1981-1986 CJ8, Windshield Frame Wiper Access Hole Cover	13318.02
1976-1983 CJ5, 1976-1986 CJ7, 1981-1986 CJ8, Windshield Frame Knob, Black	13318.01
1976-1983 CJ5, 1976-1986 CJ7, 1981-1986 CJ8, Windshield Wiper Motor Cover	19135.01
1976-1983 CJ5, 1976-1986 CJ7, 1981-1986 CJ8, Windshield Tie Down Strap	11825.20

I. Tailgates

	Part#
1976-1983 CJ5, Tailgate	12005.03
1976-1983 CJ5, Tailgate, With Jeep Script 	DMC-685459
1976-1986 CJ7, 1981-1986 CJ8, Tailgate	12005.05
1976-1986 CJ7, 1981-1986 CJ8, Tailgate, With Jeep Script 	DMC-5454025
1976-1983 CJ5, Tailgate Hinge, LH or RH	12023.22
1976-1986 CJ7, 1981-1986 CJ8, Tailgate Cable, (2 Required)	12029.02
1976-1986 CJ7, 1981-1986 CJ8, Tailgate Latch Bracket Set (Bracket w/ Mounting Hardware) (Pair)	12029.27
1976-1986 CJ7, 1981-1986 CJ8, Tailgate Latch Bracket Kit (Bracket w/ Mounting Hardware) (Does One Side)	12029.26
1976-1986 CJ7, 1981-1986 CJ8, Tailgate Latch Bracket	12029.25
1976-1986 CJ7, 1981-1986 CJ8, Tailgate Latch Bolt	12029.28
1976-1986 CJ7, 1981-1986 CJ8, Tailgate Latch Wave Washer	12029.29

1976-1983 CJ5, 1976-1986 CJ7, 1981-1986 CJ8 Body Parts



[K] 12029.03



[K] 12029.04



[K] 11215.01



[L] 11601.01



Omix-ADA
BUY WITH CONFIDENCE
MINIMUM 5 YEAR WARRANTY



[J] 12029.14

[J] 12029.13



AUTHENTIC RESTORATION PRODUCT

MOPAR, JEEP, DODGE, HEMI, PLYMOUTH, RAM, and CHRYSLER vehicles, images and logos are trademarks of Chrysler Group LLC used under license to Omix-ADA, © Chrysler Group LLC 2011

Look for the star to check out all the Mopar Licensed Products

[N] DMC-5457017



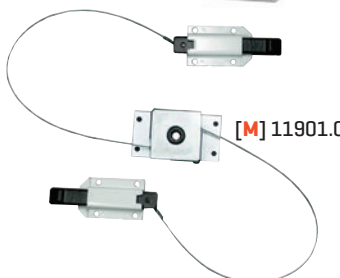
[J] 12009.09



[M] 11901.04



[M] 11810.01



[M] 11901.03

J. Body Panels	Part#
1976-1983 CJ5, Side [Quarter] Panel, Left	12009.07
1976-1983 CJ5, Side [Quarter] Panel, Right	12009.08
1976-1983 CJ5, Side Panel With Jeep Script, Left	DMC-8133112
1976-1983 CJ5, Side Panel With Jeep Script, Right	DMC-8133337
1976-1986 CJ7, Side [Quarter] Panel, Left	12009.09
1976-1986 CJ7, Side [Quarter] Panel, Right	12009.10
1976-1986 CJ7, Side Panel With Jeep Script, Left	DMC-8133339
1976-1986 CJ7, Side Panel With Jeep Script, Right	DMC-8133338
1976-1986 CJ7, Cowl Side, With Door Opening, Left	12009.11
1976-1986 CJ7, Cowl Side, With Door Opening, Right	12009.12
1981-1986 CJ8, Side [Quarter] Patch Panel, Left [Behind Door Opening]	12009.13
1981-1986 CJ8, Side [Quarter] Patch Panel, Right [Behind Door Opening]	12009.14
1976-1983 CJ5, 1976-1986 CJ7, 1981-1986 CJ8, Cowl Top Panel	12029.17
1976-1983 CJ5, 1976-1986 CJ7, 1981-1986 CJ8, Firewall Panel	12029.18
1976-1986 CJ7, Wheel Housing, Rear, Left	12029.16
1976-1986 CJ7, Wheel Housing, Rear, Right	12029.15
1981-1986 CJ8, Wheel Housing, Rear, Left	12029.33
1981-1986 CJ8, Wheel Housing, Rear, Right	12029.34
1981-1986 CJ8, Wheel Housing Inner Corner, Rear, Left	12029.34
1981-1986 CJ8, Wheel Housing Inner Corner, Rear, Right	12029.33
1976-1983 CJ5, Tail Light Panel, Left	12029.11
1976-1983 CJ5, Tail Light Panel, Right	12029.12
1976-1986 CJ7, Tail Light Panel, Left	12029.13
1976-1986 CJ7, Tail Light Panel, Right	12029.14

K. Bumpers & Components	Part#
1976-1983 CJ5, 1976-1986 CJ7, 1981-1986 CJ8, Front Bumper	12029.03
1976-1983 CJ5, 1976-1986 CJ7, 1981-1986 CJ8, Rear Bumper [Crossmember]	12029.04
1976-1983 CJ5, 1976-1986 CJ7, 1981-1986 CJ8, Rear Bumperettes	11215.01

L. Fender Flares	Part#
1976-1983 CJ5, 1976-1986 CJ7 Fender Flare Kit [Includes hardware]	11601.01
1976-1983 CJ5, 1976-1986 CJ7 Fender Flare, Front, Left	11601.03
1976-1983 CJ5, 1976-1986 CJ7 Fender Flare, Front, Right	11601.02
1976-1983 CJ5, 1976-1986 CJ7 Fender Flare, Rear, Left	11601.05
1976-1983 CJ5, 1976-1986 CJ7 Fender Flare, Rear, Rear	11601.04
1976-1983 CJ5, 1976-1986 CJ7 Fender Flare Hardware Kit	11601.06

M. Body Accessories	Part#
1976-1980 CJ7, Door Handle With Key [For Full Steel Doors], Chrome, Pair [Keyed Alike]	11812.02
1976-1980 CJ7, Door Handle With Key [For Full Steel Doors], LH or RH	11812.01
1981-1986 CJ7, 1981-1986 CJ8, Door Paddle Handle [With Full Steel Doors], Black, Left	11812.05
1981-1986 CJ7, 1981-1986 CJ8, Door Paddle Handle [With Full Steel Doors], Black, Right	11812.06
1981-1986 CJ7, 1981-1986 CJ8, Door Paddle Handle [With Full Steel Doors], Chrome, Left	11812.03
1981-1986 CJ7, 1981-1986 CJ8, Door Paddle Handle [With Full Steel Doors], Chrome, Right	11812.04
1981-1986 CJ7, 1981-1986 CJ8, Door Latch Bracket [With Full Steel Doors], Black, Left	11810.01
1981-1986 CJ7, 1981-1986 CJ8, Door Latch Bracket [With Full Steel Doors], Black, Right	11810.02
1981-1986 CJ7, 1981-1986 CJ8, Door Latch Bracket Set [With Full Steel Doors], Stainless Steel, pair	11810.05
1981-1986 CJ7, 1981-1986 CJ8, Door Latch Bracket [With Full Steel Doors], Stainless Steel, Left	11810.03
1981-1986 CJ7, 1981-1986 CJ8, Door Latch Bracket [With Full Steel Doors], Stainless Steel, Right	11810.04
1981-1986 CJ7, 1981-1986 CJ8, Door Latch Striker Plate [With Full Steel Doors], LH or RH	11811.01
1981-1986 CJ7, 1981-1986 CJ8, Door Latch Striker Pin, LH or RH	11811.02
1976-1986 CJ7, 1981-1986 CJ8, Hardtop Liftgate T-Handle	11901.02
1976-1986 CJ7, 1981-1986 CJ8, Liftgate Latch [For Hardtop] (2 Required)	11901.04
1976-1986 CJ7, 1981-1986 CJ8, Liftgate Cable Cam Assembly, With Cables [For Hardtop]	11901.03
1976-1986 CJ7, 1981-1986 CJ8, Hardtop Liftgate Hinge, LH or RH	11901.01
1976-1986 CJ7, 1981-1986 CJ8, Liftgate Latch [For Hardtop] (2 Required)	11813.01
1976-1986 CJ5, 1976-1986 CJ7, 1981-1986 CJ8 Footman Loop Kit, Stainless Steel	11105.01
1965-1975 CJ5 & CJ6, 1955-1971 M38A1, Square Mirrors, Black, Pair	11001.02
1965-1975 CJ5 & CJ6, 1955-1971 M38A1, Square Mirrors, Convex, Black, Pair	11001.03
1965-1975 CJ5 & CJ6, 1955-1971 M38A1, Square Mirrors, Stainless Steel, Pair	11005.01
1965-1975 CJ5 & CJ6, 1955-1971 M38A1, Square Mirrors, Convex, Stainless Steel, Pair	11005.02
1965-1975 CJ5 & CJ6, 1955-1971 M38A1, Square Mirrors, Chrome, Pair	11010.01

N. Exterior Emblems	Part#
1976-1983 CJ5, 1976-1986 CJ7, 1981-1986 CJ8, Jeep AMC Flag Emblem, Self Adhesive	DMC-5451627
1976-1983 CJ5, "CJ5" Emblem, Self Adhesive	DMC-5455179
1976-1986 CJ7, "CJ7" Emblem, Self Adhesive	DMC-5457017
1981-1986 CJ8, "CJ8" Emblem, Self Adhesive	DMC-5758601

1976-1983 CJ5, 1976-1986 CJ7, 1981-1986 CJ8 Body Parts



Look for the star to check out all the Mopar Licensed Products

O. Interior	Part#
1976-1983 CJ5, 1976-1986 CJ7, 1981-1986 CJ8, Jeep Script Dashpad, Black, With Moveable Vent Window	DMC-5760458
1976-1983 CJ5, 1976-1986 CJ7, 1981-1986 CJ8, Jeep Script Dashpad, Light Gray [Dyeable], With Moveable Vent Window	DMC-5760459
1976-1983 CJ5, 1976-1986 CJ7, 1981-1986 CJ8, Dashpad Screw Kit	12029.32
1976-1983 CJ5, 1976-1986 CJ7, 1981-1986 CJ8, Dashpad Screw [8 Required]	12029.31
1976-1983 CJ5, 1976-1986 CJ7, 1981-1986 CJ8, Dash Panel, Black, Blank [Without Holes]	13320.10
1976-1983 CJ5, 1976-1986 CJ7, 1981-1986 CJ8, Dash Panel, Black, With Gauge Cutouts	13320.11
1976-1983 CJ5, 1976-1986 CJ7, 1981-1986 CJ8, Dash Panel, Black, With Gauge, Speaker & Radio Cutouts	13320.12
1976-1983 CJ5, 1976-1986 CJ7, 1981-1986 CJ8, Dash Panel, Stainless Steel, Blank [Without Holes]	11144.10
1976-1983 CJ5, 1976-1986 CJ7, 1981-1986 CJ8, Dash Panel, Stainless Steel, With Gauge Cutouts	11144.11
1976-1983 CJ5, 1976-1986 CJ7, 1981-1986 CJ8, Dash Panel, Stainless Steel, With Gauge, Speaker & Radio Cutouts	11144.12
1976-1983 CJ5, 1976-1986 CJ7, 1981-1986 CJ8, Dash Panel, Primered With Glove Box Hole	13320.01
1976-1983 CJ5, 1976-1986 CJ7, 1981-1986 CJ8, Radio Delete Panel Hardware Kit	13318.04
1976-1983 CJ5, 1976-1986 CJ7, 1981-1986 CJ8, Radio Delete Panel	13318.03
1976-1983 CJ5, 1976-1986 CJ7, 1981-1986 CJ8, Torx Head Dash Bolt	17258.01
1976-1983 CJ5, 1976-1986 CJ7, 1981-1986 CJ8, Dash Indicator Light Bezel Kit [6 Pieces]	13319.01
1976-1983 CJ5, 1976-1986 CJ7, 1981-1986 CJ8, Dash Indicator Light Bezel "Lights"	13319.02
1976-1983 CJ5, 1976-1986 CJ7, 1981-1986 CJ8, Dash Indicator Light Bezel "Wipers Washer"	13319.03
1976-1983 CJ5, 1976-1986 CJ7, 1981-1986 CJ8, Dash Indicator Light Bezel "Air"	13319.04
1976-1983 CJ5, 1976-1986 CJ7, 1981-1986 CJ8, Dash Indicator Light Bezel "Temp"	13319.05
1976-1983 CJ5, 1976-1986 CJ7, 1981-1986 CJ8, Dash Indicator Light Bezel "Defrost"	13319.06
1976-1983 CJ5, 1976-1986 CJ7, 1981-1986 CJ8, Dash Indicator Light Bezel "Fan"	13319.07
1976-1983 CJ5, 1976-1986 CJ7, 1981-1986 CJ8, Heater & Wiper Switch Knob, Black	13318.05
1976-1983 CJ5, 1976-1986 CJ7, 1981-1986 CJ8, Headlight Switch Knob, Black	13318.06
1976-1983 CJ5, 1976-1986 CJ7, 1981-1986 CJ8, Turn Signal Lever	13318.07
1976-1983 CJ5, 1976-1986 CJ7, 1981-1986 CJ8, Steering Column Cover, Black, Plastic	13318.08
1976-1983 CJ5, 1976-1986 CJ7, 1981-1986 CJ8, Grab Bar Handle, Black	11203.01
1976-1983 CJ5, 1976-1986 CJ7, 1981-1986 CJ8, Grab Bar Handle, Stainless Steel	11123.01

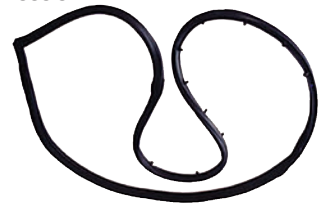


[P] 12305.01



[P] 11020.02

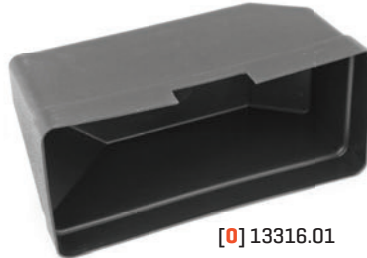
[P] 12303.02



[O] 11228.01



[O] 11801.01



[O] 13316.01

[O] 13690.01



O. Interior Cont'd

Part#

1976-1983 CJ5, 1976-1986 CJ7, 1981-1986 CJ8, Glove Box Door, Black	11228.01
1976-1983 CJ5, 1976-1986 CJ7, 1981-1986 CJ8, Glove Box Door, Stainless Steel	11125.01
1976-1983 CJ5, 1976-1986 CJ7, 1981-1986 CJ8, Glove Box Insert (Plastic)	13316.01
1976-1983 CJ5, 1976-1986 CJ7, 1981-1986 CJ8, Glove Box Release Button	11813.11
1976-1983 CJ5, 1976-1986 CJ7, 1981-1986 CJ8, Glove Box Latch Bracket	13317.01
1976-1986 CJ5, 1976-1986 CJ7, 1981-1986 CJ8, Rear View Mirror Kit (Includes Mirror, Button and Glue)	11020.02
1976-1986 CJ5, 1976-1986 CJ7, 1981-1986 CJ8, Mirror Mounting Adhesive	11021.01
1976-1986 CJ5, 1976-1986 CJ7, 1981-1986 CJ8 Window Crank Handle (With Full Steel Doors), LH or RH	11814.01
1976-1983 CJ5, 1976-1986 CJ7, 1981-1986 CJ8, Door Handle Pull, Black LH or RH	11801.01
1976-1986 CJ7, 1981-1986 CJ8, Sun Visor, Black, LH or RH	13301.01
1976-1986 CJ7, 1981-1986 CJ8, Sun Visor, Gray, LH or RH	13301.09
1976-1986 CJ7, 1981-1986 CJ8, Sun Visor, Charcoal, LH or RH	13301.15
1976-1986 CJ7, 1981-1986 CJ8, 60" Seat Belt (Lap Belt), Black	13202.04
1976-1986 CJ7, 1981-1986 CJ8, 60" Seat Belt (Lap Belt), Tan	13202.20
1976-1986 CJ7, 1981-1986 CJ8, 60" Seat Belt (Lap Belt), Gray	13202.30
1976-1986 CJ7, 1981-1986 CJ8, 60" Seat Belt (Lap Belt), Olive Drab	13202.40
1976-1986 CJ7, 1981-1986 CJ8, 60" Seat Belt Retractable (Lap Belt), Black	13202.02
1976-1986 CJ7, 1981-1986 CJ8, 60" Seat Belt Retractable (Lap Belt), Tan	13202.21
1976-1986 CJ7, 1981-1986 CJ8, 60" Seat Belt Retractable (Lap Belt), Gray	13202.31
1976-1986 CJ7, 1981-1986 CJ8, 60" Seat Belt Retractable (Lap Belt), Olive Drab	13202.41
1976-1983 CJ5, 1976-1986 CJ7, 1981-1986 CJ8, 3-Point Seat Belt, Black	13202.01
1976-1983 CJ5, 1976-1986 CJ7, 1981-1986 CJ8, 3-Point Seat Belt, Tan	13202.22
1976-1983 CJ5, 1976-1986 CJ7, 1981-1986 CJ8, 3-Point Seat Belt, Gray	13202.32
1976-1986 CJ7, 1981-1986 CJ8, Seatbelt Mount Round, For Lap Belt Floor Mount, 1/2-20 Bolt Hole	13202.05
1976-1986 CJ7, 1981-1986 CJ8, Seatbelt Mount Oval, For Lap Belt Floor Mount, 1/2-20 Bolt Hole	13202.06
1976-1986 CJ7, 1981-1986 CJ8, Seatbelt Mount Round, For Lap Belt Floor Mount, 7/16-20 Bolt Hole	13202.08
1976-1986 CJ7, 1981-1986 CJ8, Seat Belt Retractor (For Use With Lap Belts)	13202.07
1976-1986 CJ7, Deluxe Carpet Kit, Black (6 Pieces, Includes Tailgate Carpet)	13690.01
1976-1986 CJ7, Deluxe Carpet Kit, Gray (6 Pieces, Includes Tailgate Carpet)	13690.09
1976-1986 CJ7, Deluxe Carpet Kit, Honey (6 Pieces, Includes Tailgate Carpet)	13690.10
1976-83 CJ5, 1976-1986 CJ7, 1981-1986 CJ8, Radio Delete Panel NEW	13318.03



Omix-ADA
BUY WITH CONFIDENCE
MINIMUM 5 YEAR WARRANTY



[O] 13202.20

P. Weatherstrip

Part#

1976-1983 CJ5, 1976-1986 CJ7, 1981-1986 CJ8, Windshield Weatherstrip	12301.04
1976-1983 CJ5, 1976-1986 CJ7, 1981-1986 CJ8, Cowl Seal	12302.03
1976-1986 CJ7, 1981-1986 CJ8, Hardtop Weatherstrip Kit (Hardtop to Body Seals)	12304.07
1976-1986 CJ7, 1981-1986 CJ8, Hardtop to Windshield Frame Weatherstrip	12304.04
1982-1983 CJ5, 1982-1986 CJ7, 1982-1986 CJ8, Door Seal Kit, With Hardtop & Moveable Vent Windows, Left (5 Piece Kit)	12303.51
1976-1983 CJ5, 1976-1986 CJ7, 1981-1986 CJ8, Door Seal Kit, With Hardtop & Moveable Vent Windows, Right (5 Piece Kit)	12303.50
1976-1981 CJ5, 1976-1981 CJ7, 1981 CJ8, Door Seal Kit, With Hardtop & Fixed Vent Windows, Left (5 Piece Kit)	12303.53
1976-1983 CJ5, 1976-1986 CJ7, 1981-1986 CJ8, Door Seal Kit, With Hardtop & Fixed Vent Windows, Right (5 Piece Kit)	12303.52
1976-1986 CJ7, 1981-1986 CJ8, Hardtop Side Window Seal, LH or RH	12304.03
1976-1986 CJ7, 1981-1986 CJ8, Door Seal (For Full Steel Doors), Left	12303.01
1976-1986 CJ7, 1981-1986 CJ8, Door Seal (For Full Steel Doors), Right	12303.02
1976-1986 CJ7, Liftgate Outer Glass Seal	12304.01
1976-1986 CJ7, Liftgate Inner Glass Seal	12304.02
1976-1986 CJ7, 1981-1986 CJ8, Tailgate Seal	12305.01
1976-1983 CJ5, 1976-1986 CJ7, 1981-1986 CJ8, Grille to Hood Grommet (Bumper) (4 Required)	12029.01

1987-2014 Wrangler & Wrangler Unlimited Body Parts



[C] 12033.01



[F] 12009.09



[E] 12004.16



[B] 12217.03



MOPAR, JEEP, DODGE, HEMI, PLYMOUTH, RAM, and CHRYSLER vehicles, images and logos are trademarks of Chrysler Group LLC used under license to Omix-Ada® © Chrysler Group LLC 2011

Look for the star to check out all the Mopar Licensed Products



[G] 12006.09



[D] 12003.06

[D] 11210.08



A. Steel Body Tubs

Part#

1987-1995 Wrangler, Body Tub, With Jeep Script Stamped In Cow Sides DMC-55050500

B. Body Mounting Hardware

Part#

1987-1995 Wrangler, Body Mounting Washer Kit (8 Pieces) 12217.03
 1987-1995 Wrangler, Body Fastener Kit, With Soft Top (703 Pieces) 12215.12
 1987-1995 Wrangler, Body Fastener Kit, With Hardtop (754 Pieces) 12215.11

C. Grille Covers (Genuine Mopar)

Part#

1987-1995 Wrangler, Grille Overlay (Applique), Chrome 12033.06
 1997-2006 Wrangler, 2004-2006 Wrangler Unlimited, Grille Overlay (Applique), Chrome 12033.01
 2007-2014 Wrangler & Wrangler Unlimited, Grille Overlay (Applique), Chrome 12033.05

D. Hood & Components

Part#

1987-1995 Wrangler, Hood 12003.06
 1998-2000 Wrangler, Hood (Before 02/07/00), With Dual Wiper Nozzle Holes 12003.07
 2000-2006 Wrangler, 2004-2006 Wrangler Unlimited, Hood (After 02/07/00), With Single Wiper Nozzle Hole 12003.08
 2007-2014 Wrangler & Wrangler Unlimited, Hood 12040.01
 1997-2006 Wrangler, 2004-2006 Wrangler Unlimited, Hood Catch Kit, Includes: Catch and Bracket (pair) 11210.09
 1997-2006 Wrangler, 2004-2006 Wrangler Unlimited, Hood Catch Kit, Includes: Catch and Bracket (Does One Side) 11210.08
 1997-2006 Wrangler, 2004-2006 Wrangler Unlimited, Hood Catch, Black, LH or RH 11210.07
 1987-1995 Wrangler, Hood Hinge Bolt 12029.30



[D] 11210.09



[I] 12031.10



[H] 12005.06



[I] 11215.01

E. Fenders & Components

Part#

1987-1995 Wrangler, Fender, Left 12004.13
 1987-1995 Wrangler, Fender, Right 12004.14
 1997-2006 Wrangler, 2004-2006 Wrangler Unlimited, Fender, Left 12004.15
 1997-2006 Wrangler, 2004-2006 Wrangler Unlimited, Fender, Right 12004.16
 2007-2014 Wrangler & Wrangler Unlimited, Fender, Left 12040.02
 2007-2014 Wrangler & Wrangler Unlimited, Fender, Right 12040.03

F. Body Panels

Part#

1987-1995 Wrangler, Side (Quarter) Panel, Left 12009.09
 1987-1995 Wrangler, Side Panel With Jeep Script, Left DMC-8133339
 1987-1995 Wrangler, Side (Quarter) Panel, Right 12009.10
 1987-1995 Wrangler, Side Panel With Jeep Script, Right DMC-8133338
 1987-1995 Wrangler, Wheel Housing, Rear, Left 12029.16
 1987-1995 Wrangler, Wheel Housing, Rear, Right 12029.15

G. Windshield Frame & Components

Part#

1987-1995 Wrangler, Windshield 12006.09
 1997-2002 Wrangler, Windshield 12006.10
 2003-2006 Wrangler, 2004-2006 Wrangler Unlimited Windshield 12006.11
 1987-1995 Wrangler, Windshield Hinge Screw (16 Required) 12029.06
 1987-2006 Wrangler, 2004-2006 Wrangler Unlimited, Windshield Tie Down Strap 11825.20

H. Tailgates

Part#

1987-1995 Wrangler, Tailgate 12005.06
 1997-2006 Wrangler, 2004-2006 Wrangler Unlimited, Tailgate 12005.07
 1987-1995 Wrangler, Tailgate Handle, Black 11812.08
 1997-2006 Wrangler, 2004-2006 Wrangler Unlimited, Tailgate Handle, Black 11812.10
 1991-1994 Wrangler, Tailgate Lock Cylinder, With Key 11813.09
 1997 Wrangler, Tailgate Lock Cylinder, With Key 11813.10
 1998-2002 Wrangler, Tailgate Lock Cylinder, With Key 11813.04
 2003-2006 Wrangler, 2004-2006 Wrangler Unlimited, Tailgate Lock Cylinder, With Key 11813.05

I. Bumpers & Components

Part#

1987-1995 Wrangler, Front Bumper, OE Style 12031.03
 1987-1995 Wrangler, Front Bumper Extensions (Pair) 12031.04
 1987-1995 Wrangler, Rear Bumperettes (Pair) 11215.01
 1997-2006 Wrangler, 2004-2006 Wrangler Unlimited, Front Bumper, OE Style 12033.02
 1997-2006 Wrangler, 2004-2006 Wrangler Unlimited, Front Bumper, Stainless Steel, OE Style 11107.05
 1997-2006 Wrangler, 2004-2006 Wrangler Unlimited, Front Bumper Extension, Left 12031.07
 1997-2006 Wrangler, 2004-2006 Wrangler Unlimited, Front Bumper Extension, Right 12031.08
 1997-2006 Wrangler, 2004-2006 Wrangler Unlimited, Rear Bumper, OE Style 12033.03
 1997-2006 Wrangler, 2004-2006 Wrangler Unlimited, Rear Bumper, Stainless Steel, OE Style 11107.06
 1997-2006 Wrangler, 2004-2006 Wrangler Unlimited, Rear Bumper Extension, Left 12031.09
 1997-2006 Wrangler, 2004-2006 Wrangler Unlimited, Rear Bumper Extension, Right 12031.10
 1997-2006 Wrangler, 2004-2006 Wrangler Unlimited, Bumper Extension Screw, Front or Rear (4 Required Per Extension) 12032.01
 2007-2014 Wrangler & Wrangler Unlimited, Front Bumper Cover, With Fog Light 12040.05

1987-2014 Wrangler & Wrangler Unlimited Body Parts



[J] 11602.01



[K] 11002.03



[K] 11812.08

[K] 11810.02



[K] 11813.03



[L] 11251.02



BUY WITH CONFIDENCE
MINIMUM 5 YEAR WARRANTY

[L] 12306.04



[L] 12012.17

J. Fender Flares

Part#

1987-1995 Wrangler, Fender Flare Kit, Includes: 4 Flares, 2 Fender Extensions & Hardware Kit	11602.01
1987-1995 Wrangler, Fender Flare Kit, Includes: 4 Flares & Hardware Kit	11602.02
1987-1995 Wrangler, Fender Flare, Front, Left	11602.03
1987-1995 Wrangler, Fender Flare, Front, Right	11602.04
1987-1995 Wrangler, Fender Flare, Rear, Left	11602.05
1987-1995 Wrangler, Fender Flare, Rear, Right	11602.06
1987-1995 Wrangler, Fender Flare Extension, Front, Left	11602.07
1987-1995 Wrangler, Fender Flare Extension, Front, Right	11602.08
1987-1995 Wrangler, Fender Flare Hardware Kit	11601.06
1987-1995 Wrangler, Fender Extension Bracket, Front, LH or RH	11602.09
1997-2006 Wrangler, 2004-2006 Wrangler Unlimited, Fender Flare Kit, Includes: 4 Flares, 2 Fender Extensions & Hardware Kit	11603.01
1997-2006 Wrangler, 2004-2006 Wrangler Unlimited, Fender Flare Kit, Includes: 4 Flares & Hardware Kit	11603.02
1997-2006 Wrangler, 2004-2006 Wrangler Unlimited, Fender Flare, Front, Left	11603.03
1997-2006 Wrangler, 2004-2006 Wrangler Unlimited, Fender Flare, Front, Right	11603.04
1997-2006 Wrangler, 2004-2006 Wrangler Unlimited, Fender Flare, Rear, Left	11603.05
1997-2006 Wrangler, 2004-2006 Wrangler Unlimited, Fender Flare, Rear, Right	11603.06
1997-2006 Wrangler, 2004-2006 Wrangler Unlimited, Fender Flare Extension, Front, Left	11603.07
1997-2006 Wrangler, 2004-2006 Wrangler Unlimited, Fender Flare Extension, Front, Right	11603.08
1997-2006 Wrangler, 2004-2006 Wrangler Unlimited, Fender Flare Hardware Kit	11603.09
2007-2014 Wrangler & Wrangler Unlimited, Fender Flare Kit NEW	11609.01
2007-2014 Wrangler & Wrangler Unlimited, Fender Flare, Front, Left	11609.11
2007-2014 Wrangler & Wrangler Unlimited, Fender Flare, Front, Right	11609.10
2007-2014 Wrangler & Wrangler Unlimited, Fender Flare, Rear, Left	11609.13
2007-2014 Wrangler & Wrangler Unlimited, Fender Flare, Rear, Right	11609.12
2007-2014 Wrangler & Wrangler Unlimited, Plastic Fender Flare Push Retainer NEW	11609.26
2007-2014 Wrangler & Wrangler Unlimited, Fender Flare Blind Rivet NEW	11609.27
2007-2014 Wrangler & Wrangler Unlimited, T-style Fender Flare & Rocker Molding Clip NEW	11609.28

K. Body Accessories

Part#

1987-2002 Wrangler (With Half Doors), 1994-2002 Wrangler With Full Steel Doors, Mirrors, Black [Pair]	11002.03
1987-2002 Wrangler (With Half Doors), 1994-2002 Wrangler With Full Steel Doors, Mirrors, Stainless Steel [Pair]	11005.08
2003-2006 Wrangler, 2004-2006 Wrangler Unlimited, Mirrors, Black [Pair]	11002.09
1987-1995 Wrangler, Door Paddle Handle (With Full Steel Doors), Black, Left	11812.05
2007-2014 Wrangler & Wrangler Unlimited, Mirrors, Black [Pair]	11002.21
1987-1995 Wrangler, Door Paddle Handle (With Full Steel Doors), Black, Right	11812.06
1987-1995 Wrangler, Door Paddle Handle (With Full Steel Doors), Chrome, Left	11812.03
1987-1995 Wrangler, Door Paddle Handle (With Full Steel Doors), Chrome, Right	11812.04
1997-2006 Wrangler, 2004-2006 Wrangler Unlimited, Door Paddle Handle (With Full Steel Doors), Black, Left	11812.06
1997-2006 Wrangler, 2004-2006 Wrangler Unlimited, Door Paddle Handle (With Full Steel Doors), Black, Right	11812.05
1997-2006 Wrangler, 2004-2006 Wrangler Unlimited, Door Paddle Handle (With Full Steel Doors), Chrome, Left	11812.04
1997-2006 Wrangler, 2004-2006 Wrangler Unlimited, Door Paddle Handle (With Full Steel Doors), Chrome, Right	11812.03
1987-2006 Wrangler, 2004-2006 Wrangler Unlimited, Door Handle, With Half Doors, Black, Right	11812.08
1987-2006 Wrangler, 2004-2006 Wrangler Unlimited, Door Handle, With Half Doors, Black, Left	11812.09
1987-1995 Wrangler, Door Latch Bracket (With Full Steel Doors), Black, Left	11810.01
1987-1995 Wrangler, Door Latch Bracket (With Full Steel Doors), Black, Right	11810.02
1987-1995 Wrangler, Door Latch Bracket (With Full Steel Doors), Stainless Steel, Left	11810.03
1987-1995 Wrangler, Door Latch Bracket (With Full Steel Doors), Stainless Steel, Right	11810.04
1987-1995 Wrangler, Door Latch Bracket Set (With Full Steel Doors), Stainless Steel, pair	11810.05
1987-1995 Wrangler, Door Latch Striker Plate (With Full Steel Doors), LH or RH	11811.01
1987-1995 Wrangler, Door Latch Striker Pin, LH or RH	11811.02
1991-1994 Wrangler, Door Lock Cylinder, With Key, LH or RH	11813.03
1987-2006 Wrangler, 2004-2006 Wrangler Unlimited, Foot-man Loop Kit, Stainless Steel	11105.01
2007-2014 Wrangler & Wrangler Unlimited, Power Window Regulator, Front, Right NEW	11821.20
2007-2014 Wrangler & Wrangler Unlimited, Power Window Regulator, Front, Left NEW	11821.21
2007-2014 Wrangler & Wrangler Unlimited, Power Window Regulator, Rear, Right NEW	11821.22
2007-2014 Wrangler & Wrangler Unlimited, Power Window Regulator, Rear, Left NEW	11821.23
1987-1995 Wrangler with Full Steel Doors, Mirror Kit, Black, Pair NEW	11002.19

L. Top Components

Part#

1987-1995 Wrangler, Soft Top Spreader Bar, OE Replacement	11251.01
1987-1995 Wrangler, Soft Top Spreader Bar, OE Replacement	11251.02
1987-1995 Wrangler, Soft Top Windshield Retainer, Left	12306.03
1987-1995 Wrangler, Soft Top Windshield Retainer, Right	12306.04
1987-1995 Wrangler, Soft Top Door Seal Clip, Left	12306.08
1987-1995 Wrangler, Soft Top Snaps	12306.07
1987-1995 Wrangler, Liftgate Support Strut (Shock), LH or RH	12012.01
1997-2005 Wrangler, 2004-2005 Wrangler Unlimited, Liftgate Support Strut (Shock), LH or RH	12012.02
2006-2014 Wrangler & Wrangler Unlimited, Liftgate Support Strut (Shock), LH or RH	12012.17
1997-1995 Wrangler, Window Retaining Channels, Black NEW	13701.81

Body kits, body tubs and body parts are sold "As Is". See Limited Warranty Information inside back cover. Drilling, cutting and other modifications may be required for proper installation. Claims for freight damage must be placed with freight carriers.

1987-2014 Wrangler & Wrangler Unlimited Body Parts

[M] 13691.10



[M] 11818.01



[M] 13312.09



[M] 13202.22



[M] 12103.01



[M] 13202.31



[M] 11840.01



M. Interior

Part#

1987-1995 Wrangler, Deluxe Carpet Kit, Black [6 Pieces, Includes Tailgate Carpet]	13690.01
1987-1995 Wrangler, Deluxe Carpet Kit, Gray [6 Pieces, Includes Tailgate Carpet]	13690.09
1987-1995 Wrangler, Deluxe Carpet Kit, Honey [6 Pieces, Includes Tailgate Carpet]	13690.10
1997-2006 Wrangler, Deluxe Carpet Kit, Black [6 Pieces, Includes Tailgate Carpet]	13691.01
1997-2006 Wrangler, Deluxe Carpet Kit, Gray [6 Pieces, Includes Tailgate Carpet]	13691.09
1997-2006 Wrangler, Deluxe Carpet Kit, Honey [6 Pieces, Includes Tailgate Carpet]	13691.10
1987-1995 Wrangler, Grab Bar Handle, Black	11203.01
1987-1995 Wrangler, Grab Bar Handle, Stainless Steel	11123.01
1987-1995 Wrangler, Torx Head Dash Bolt	17258.01
1987-1991 Wrangler, Window Crank Handle [With Full Steel Doors], LH or RH	11814.01
1987-1995 Wrangler, Interior Door Handle Pull Kit, Black [Does One Side], Full or half Doors	11816.01
1987-1995 Wrangler, Interior Door Handle Pull Kit, Spice [Does One Side], Full or Half Doors	11816.37
1987-1995 Wrangler, Interior Door Handle Pull Kit, Gray [Does One Side], Full or Half Doors	11816.09
1987-1995 Wrangler, Interior Door Handle, Full or Half Doors, Left	11812.13
1987-1995 Wrangler, Interior Door Handle, Full or Half Doors, Right	11812.12
1987-1995 Wrangler, Door Limiting Strap, Black, LH or RH	11817.01
1987-1995 Wrangler, Adjustable Door Limiting Straps, Black [Pair]	12103.01
1987-2006 Wrangler, 2004-2006 Wrangler Unlimited, Door Panel Insert, With Half Doors, Black [6 Required]	11818.01
1987-2006 Wrangler, 2004-2006 Wrangler Unlimited, Door Panel Insert, With Half Doors, Gray [6 Required]	11818.09
1987-2006 Wrangler, 2004-2006 Wrangler Unlimited, Door Panel Insert, With Half Doors, Spice [6 Required]	11818.37
1987-2014 Wrangler, 2004-2012 Wrangler Unlimited, Rear View Mirror Kit [Includes Mirror, Button & Adhesive]	11020.02
1987-2014 Wrangler, 2004-2012 Wrangler Unlimited, Rear View Mirror Glue	11021.01
1987-1995 Wrangler, 60" Seat Belt [Lap Belt], Black	13202.04

1987-1995 Wrangler, 60" Seat Belt [Lap Belt], Tan	13202.20
1987-1995 Wrangler, 60" Seat Belt [Lap Belt], Gray	13202.30
1987-1995 Wrangler, 60" Seat Belt [Lap Belt], Olive Drab	13202.40
1987-1995 Wrangler, 60" Seat Belt Retractable [Lap Belt], Black	13202.02
1987-1995 Wrangler, 60" Seat Belt Retractable [Lap Belt], Tan	13202.21
1987-1995 Wrangler, 60" Seat Belt Retractable [Lap Belt], Gray	13202.31
1987-1995 Wrangler, 60" Seat Belt Retractable [Lap Belt], Olive Drab	13202.41
1987-1995 Wrangler, 3-Point Seat Belt, Black	13202.01
1987-1995 Wrangler, 3-Point Seat Belt, Tan	13202.22
1987-1995 Wrangler, 3-Point Seat Belt, Gray	13202.32
1987-1995 Wrangler, Seatbelt Mount Round, For Lap Belt Floor Mount, 1/2-20 Bolt Hole	13202.05
1987-1995 Wrangler, Seatbelt Mount Oval, For Lap Belt Floor Mount, 1/2-20 Bolt Hole	13202.06
1987-1995 Wrangler, Seatbelt Mount Round, For Lap Belt Floor Mount, 7/16-20 Bolt Hole	13202.08
1987-1995 Wrangler, Sun Visor, Black, LH or RH	13312.01
1987-1995 Wrangler, Sun Visor, Gray, LH or RH	13312.09
1987-1995 Wrangler, Sun Visor, Charcoal, LH or RH	13312.15
1987-1995 Wrangler, Sun Visor, Spice, LH or RH	13312.37
1997-2006 Wrangler, Window Crank Handle NEW	11814.02
1987-1995 Wrangler w/ steel door, Window Crank Handle, Black NEW	11814.03
1991-1995 Wrangler w/ steel door, Window Crank Cover, Black NEW	11814.04
1982-1995 CJ & Wrangler, Door Panel, Left, Black NEW	11840.01
1982-1995 CJ & Wrangler, Door Panel, Left, Spice NEW	11840.37
1982-1995 CJ & Wrangler, Door Panel, Right, Black NEW	11841.01
1982-1995 CJ & Wrangler, Door Panel, Right, Spice NEW	11840.37
1997-2002 Wrangler, Tri-Lock Off Road Seat Belt, Right NEW	13202.12
1997-2002 Wrangler, Tri-Lock Off Road Seat Belt, Left NEW	13202.13
2003-2006 Wrangler, Tri-Lock Off Road Seat Belt, Right NEW	13202.14
2003-2006 Wrangler, Tri-Lock Off Road Seat Belt, Left NEW	13202.15



N. Weatherstrip	Part#	
1987-1995 Wrangler, Windshield Weatherstrip, Inner Glass Seal	12301.05	
1987-1995 Wrangler, Windshield Weatherstrip, Outer Glass Seal	12301.06	
1987-1995 Wrangler, Windshield Weatherstrip Clip	12301.07	
1997-2006 Wrangler, 2004-2006 Wrangler Unlimited, Windshield Weatherstrip, Inner	12301.09	
1997-2006 Wrangler, 2004-2006 Wrangler Unlimited, Windshield Weatherstrip, Outer	12301.08	
1987-1995 Wrangler, Cowl Seal	12302.04	
1997-2002 Wrangler, Cowl Seal	12302.05	
1987-1995 Wrangler, Hood Grommet (2 Required)	12031.01	
1987-2006 Wrangler, 2004-2006 Wrangler Unlimited, Hood to Fender Grommet (2 Required)	12031.02	
1987-1995 Wrangler, Door Seal Kit, With Hardtop & Moveable Vent Windows, Left (5 Piece Kit)	12303.51	
1987-1995 Wrangler, Door Seal Kit, With Hardtop & Moveable Vent Windows, Left (5 Piece Kit)	12303.50	
1987-1995 Wrangler, Door Seal Kit, With Hardtop & Moveable Vent Windows, Left (5 Piece Kit)	12303.53	
1987-1995 Wrangler, Door Seal Kit, With Hardtop & Moveable Vent Windows, Left (5 Piece Kit)	12303.52	
1987-1995 Wrangler, Door Seal (For Half Doors), Left	12303.03	
1987-1995 Wrangler, Door Seal (For Half Doors), Right	12303.04	
1987-1995 Wrangler, Door Seal (For Full Steel Doors), Left	12303.01	
1987-1995 Wrangler, Door Seal (For Full Steel Doors), Right	12303.02	
1987-1995 Wrangler, Door Edge Seal (For Full Steel Doors), Front, LH or RH	12303.10	
1987-1995 Wrangler, Door Edge Seal (For Full Steel Doors), Rear, LH or RH	12303.05	
1987-1995 Wrangler, Door Inner Glass Seal (For Full Steel Doors), Left	12303.09	
1987-1995 Wrangler, Door Inner Glass Seal (For Full Steel Doors), Right	12303.08	
1987-1995 Wrangler, Door Outer Glass Seal (For Full Steel Doors), Left	12303.07	
1987-1995 Wrangler, Door Outer Glass Seal (For Full Steel Doors), Right	12303.06	
1997-2006 Wrangler, 2004-2006 Wrangler Unlimited, Door Seal (For Half Doors), Left	12303.15	
1997-2006 Wrangler, 2004-2006 Wrangler Unlimited, Door Seal (For Half Doors), Right	12303.14	
1997-2006 Wrangler, 2004-2006 Wrangler Unlimited, Door Seal (For Full Steel Doors), Left	12303.13	
1997-2006 Wrangler, 2004-2006 Wrangler Unlimited, Door Seal (For Full Steel Doors), Right	12303.12	
1987-1995 Wrangler, Hardtop to Windshield Frame Weatherstrip	12304.04	
1987-1995 Wrangler, Hardtop Weatherstrip Kit (Hardtop to Body Seals)	12304.07	
1987-1995 Wrangler, Hardtop Corner Seal, Left	12304.05	
1987-1995 Wrangler, Hardtop Corner Seal, Right	12304.06	
1987-1995 Wrangler, Rear Lift Gate Glass Weatherstrip	12304.08	
1987-1995 Wrangler, Tailgate Seal	12305.02	
1997-2006 Wrangler, 2004-2006 Wrangler Unlimited, Tailgate Seal	12305.03	
1997-2006 Wrangler, 2004-2006 Wrangler Unlimited, Tailgate Seal Upper	12304.09	
1987-1995 Wrangler, Floor Pan Grommet (11 Required)	12031.05	
1997-2006 Wrangler, Hood to Cowl Seal NEW	12302.11	



1984-2001 Cherokee Body Parts



[A] 12035.03



[B] 12035.04



[I] 12303.61

[F] 12012.03

[D] 12035.46



[F] 12035.38



[E] 11605.01



[I] 12303.69

A. Hoods

	Part#
1984-1986 Cherokee, Hood	12035.01
1987-1996 Cherokee, Hood	12035.02
1997-2001 Cherokee, Hood	12035.03
1984-2001 Cherokee, Underhood Insulation Liner NEW	12035.56

B. Fenders

	Part#
1984-1996 Cherokee, Fender, Right	12035.04
1984-1996 Cherokee, Fender, Left	12035.05
1997-2001 Cherokee, Fender, Right	12035.06
1997-2001 Cherokee, Fender, Left	12035.07

C. Grilles

	Part#
1984-1990 Cherokee, Header Panel	12035.22
1991-1996 Cherokee, Header Panel	12035.23
1997-2001 Cherokee, Header Panel	12035.24

D. Bumpers & Components

	Part#
1984-1996 Cherokee, Front Bumper, Black	12035.40
1984-1996 Cherokee, Front Bumper, Chrome	12035.42
1984-1996 Cherokee, Front Bumper Guard, Left	12035.35
1984-1996 Cherokee, Front Bumper Guard, Right	12035.34
1984-1996 Cherokee, Front Bumper Extension (End Cap), Left	12035.47
1984-1996 Cherokee, Front Bumper Extension (End Cap), Right	12035.46
1984-1996 Cherokee, Rear Bumper, Black	12035.41
1984-1996 Cherokee, Rear Bumper, Chrome	12035.43
1984-1996 Cherokee, Rear Bumper Guard, Left	12035.37
1984-1996 Cherokee, Rear Bumper Guard, Right	12035.36
1984-1996 Cherokee, Rear Bumper Extension (End Cap), Left	12035.49
1984-1996 Cherokee, Rear Bumper Extension (End Cap), Right	12035.48
1984-1996 Cherokee, Rear Bumper Bracket, Front or Rear	12035.55
1997-2001 Cherokee, Front Bumper, Black	12035.44
1997-2001 Cherokee, Front Bumper, Chrome	12035.61
1997-2001 Cherokee, Rear Bumper, Black	12035.45
1997-2001 Cherokee, Rear Bumper, Chrome	12035.62

E. Fender Flares

	Part#
1984-1996 Cherokee, Fender Flare Kit (4 Piece)	11605.01
1984-1996 Cherokee, Fender Flare, Front, Left	11605.03
1984-1996 Cherokee, Fender Flare, Front, Right	11605.02
1984-1996 Cherokee, Fender Flare, Rear, Left	11605.05
1984-1996 Cherokee, Fender Flare, Rear, Right	11605.04

F. Body Accessories

	Part#
1984-1996 Cherokee, Outer Door Handle, Black, Front or Rear, left	12035.39
1984-1996 Cherokee, Outer Door Handle, Black, Front or Rear, Right	12035.38
1991-1994 Cherokee, Door Lock Cylinder, With Key, LH or RH	11813.03
1984-1996 Cherokee, Mirror, Black, Folding, Non-Remote, Non-Power, Left	12035.09
1984-1996 Cherokee, Mirror, Black, Folding, Non-Remote, Non-Power, Right	12035.08
1984-1996 Cherokee, Mirror, Black, Folding, Remote, Non-Power, Left	12035.11
1984-1996 Cherokee, Mirror, Black, Folding, Remote, Non-Power, Right	12035.10
1984-1996 Cherokee, Mirror, Black, Folding, Remote, Power, Left	12035.13
1984-1996 Cherokee, Mirror, Black, Folding, Remote, Power, Right	12035.12
1984-1996 Cherokee, Mirror, Chrome, Folding, Remote, Non-Power, Left	12035.15
1984-1996 Cherokee, Mirror, Chrome, Folding, Remote, Non-Power, Right	12035.14
1997-2001 Cherokee, Mirror, Black, Folding, Remote, Non-Power, Left	12035.17
1997-2001 Cherokee, Mirror, Black, Folding, Remote, Non-Power, Right	12035.16
1997-2001 Cherokee, Mirror, Black, Folding, Remote, Power, Left	12035.19
1997-2001 Cherokee, Mirror, Black, Folding, Remote, Power, Right	12035.18
1997-2001 Cherokee, Mirror, Black, Folding, Remote, Power, Heated, Left	12035.21
1997-2001 Cherokee, Mirror, Black, Folding, Remote, Power, Heated, Right	12035.20
1984-1994 Cherokee, Liftgate Support Strut (Shock) LH or RH	12012.03
1995-1996 Cherokee, Liftgate Support Strut (Shock) LH or RH	12012.04
1997-2001 Cherokee, Liftgate Support Strut (Shock) LH or RH	12012.05
1974-1991 Grand Wagoneer & Cherokee, Door Lock Rod Retainer, Right NEW	11811.10
1974-1991 Grand Wagoneer & Cherokee, Door Lock Rod Retainer, Left NEW	11811.11
1984-2001 Cherokee, Rear License Plate Light, Export NEW	12035.57

G. Interior

	Part#
1984-2001 Cherokee, Rear View Mirror Kit (Includes Mirror, Button and Glue)	11020.02
1984-2001 Cherokee, Rear View Mirror Glue	11021.01
1984-1986 Cherokee, Dual Cup Holder	12035.50
1984-1995 Cherokee, Floor Pan Grommet (11 Required)	12031.05
1984-1996 Cherokee, Spare Tire Wing Nut NEW	12035.70

H. Crossmembers & Braces

	Part#
1984-2001 Cherokee, Heavy Duty Transfer Case Crossmember	12035.60
1984-2001 Cherokee, Heavy Duty Steering Box Brace	18021.05

I. Weatherstrip

	Part#
1984-1996 Cherokee, Door Seal, Front or Rear Door, LH or RH	12303.69
1984-1996 Cherokee, Inner Glass Seal, Front Door, Left	12303.67
1984-1996 Cherokee, Inner Glass Seal, Front Door, Right	12303.66
1984-1996 Cherokee, Outer Glass Seal, Front Door, Left	12303.73
1984-1996 Cherokee, Outer Glass Seal, Front Door, Right	12303.72
1984-1996 Cherokee, Door Glass Run Weatherstrip, Front Door, Left	12303.75
1984-1996 Cherokee, Door Glass Run Weatherstrip, Front Door, Right	12303.74
1984-1996 Cherokee, Door Belt Seal, Front Position, Rear Door, LH or RH	12303.61
1984-1996 Cherokee, Door Belt Seal, Rear Position, Rear Door, LH or RH	12303.64
1984-1996 Cherokee, Door Glass Run Weatherstrip, Rear Door, Left	12303.63
1984-1996 Cherokee, Door Glass Run Weatherstrip, Rear Door, Right	12303.62
1984-1996 Cherokee, Inner Glass Seal, Rear Door, Left	12303.71
1984-1996 Cherokee, Inner Glass Seal, Rear Door, Right	12303.70
1984-2001 Cherokee, Liftgate Weatherstrip	12303.68
1994-2001 Cherokee, One Piece Windshield Molding NEW	12035.58

1993-2014 Grand Cherokee Body Parts



[A] 12037.01

[B] 12037.03



[D] 12037.11



[F] 12037.23



[F] 12039.08

A. Hoods

	Part#
1993-1998 Grand Cherokee, Hood	12037.01
1999-2004 Grand Cherokee, Hood	12039.01
2005-2010 Grand Cherokee, Hood	12041.01
1999-2003 Grand Cherokee, Hood Support Strut [Shock] LH or RH	12012.11
2004 Grand Cherokee, Hood Support Strut [Shock] LH or RH	12012.12
2005-2010 Grand Cherokee, Hood Support Strut [Shock] LH or RH	12012.14
2011-2013 Aluminum Replacement Hood NEW	12046.01

B. Fenders

	Part#
1993-1998 Grand Cherokee, Fender, Left	12037.03
1993-1998 Grand Cherokee, Fender, Right	12037.02
1999-2004 Grand Cherokee, Fender, Left	12039.03
1999-2004 Grand Cherokee, Fender, Right	12039.02
2005-2010 Grand Cherokee, Fender, Right	12041.02
2011-2013 Grand Cherokee, Fender, Left NEW	12046.05
2011-2013 Grand Cherokee, Fender, Right NEW	12046.06

C. Grilles

	Part#
1993-1995 Grand Cherokee, Header Panel	12037.04
1996-1998 Grand Cherokee, Header Panel	12037.05
1999-2003 Grand Cherokee, Header Panel	12039.04

D. Bumpers & Components

	Part#
1996-1996 Grand Cherokee Base, Laredo, Sport TSi, Front Bumper Cover, Without Fog Lights	12037.28
1996-1996 Grand Cherokee Base, Laredo, Sport TSi, Front Bumper Cover, With Fog Lights	12037.29
1993-1998 Grand Cherokee Laredo, Rear Bumper Cover	12037.11
1993-1998 Grand Cherokee Limited, Rear Bumper Cover	12037.10
1999-2003 Grand Cherokee Laredo, Front Bumper Cover, Without Fog Lights, Dark Gray	12039.20
1999-2003 Grand Cherokee Laredo, Front Bumper Cover, With Fog Lights, Dark Gray	12039.21
1999-2003 Grand Cherokee Laredo, Front Bumper Cover, With Fog Lights, Dark Brownstone	12039.22
1999-2000 Grand Cherokee Limited, Front Bumper Cover	12039.23
2001-2003 Grand Cherokee Limited, Front Bumper Cover	12039.24
2005-2007 Grand Cherokee Limited & Overland, Front Bumper Cover, Without Chrome Insert	12041.05
2005-2007 Grand Cherokee Limited & Overland, Front Bumper Cover, With Chrome Insert	12041.06
2011-2013 Grand Cherokee, Front Bumper Cover NEW	12046.10
2011-2013 Grand Cherokee, Front Bumper Cover NEW	12046.11
2011-2013 Compass & Grand Cherokee, Rear Bumper Reflector, Right NEW	12046.24
2011-2013 Compass & Grand Cherokee, Rear Bumper Reflector, Left NEW	12046.25

E. Crossmembers & Braces

	Part#
1993-1998 Grand Cherokee, Front Crossmember	12037.08
1993-1998 Grand Cherokee, Lower Radiator Support Crossmember	12037.09

F. Body Accessories

	Part#
1993-1998 Grand Cherokee, Exterior Door Handle, Front, Left	12037.23
1993-1998 Grand Cherokee, Exterior Door Handle, Front, Right	12037.22
1993-1998 Grand Cherokee, Exterior Door Handle, Rear, Left	12037.25
1993-1998 Grand Cherokee, Exterior Door Handle, Rear, Right	12037.24
1991-1994 Grand Cherokee, Door Lock Cylinder, With Key, LH or RH	11813.03
1993-1998 Grand Cherokee, Power Window Motor, Front, Left	11821.51
1993-1998 Grand Cherokee, Power Window Motor, Front, Right	11821.50
1993-1998 Grand Cherokee, Window Regulator, Manual, Front, Left	11821.01
1993-1998 Grand Cherokee, Window Regulator, Manual, Front, Right	11821.02
1993-1998 Grand Cherokee, Window Regulator, Power, Front, Left	11821.03
1993-1998 Grand Cherokee, Window Regulator, Power, Front, Right	11821.04
1999-2000 Grand Cherokee, Window Regulator, Power, Front, Left	11821.05
1999-2000 Grand Cherokee, Window Regulator, Power, Front, Right	11821.06
2001-2004 Grand Cherokee, Window Regulator, Power, Front, Left	11821.08
2001-2004 Grand Cherokee, Window Regulator, Power, Front, Right	11821.07
1993-1996 Grand Cherokee, Mirror, Black, Folding, Power Remote, Left	12037.17
1993-1996 Grand Cherokee, Mirror, Black, Folding, Power Remote, Right	12037.16
1993-1995 Grand Cherokee, Mirror, Black, Folding, Power Remote, Heated, Left	12037.19
1993-1995 Grand Cherokee, Mirror, Black, Folding, Power Remote, Heated, Right	12037.18
1996-1998 Grand Cherokee, Mirror, Black, Folding, Power Remote, Heated, Left	12037.21
1996-1998 Grand Cherokee, Mirror, Black, Folding, Power Remote, Heated, Right	12037.20
1999-2004 Grand Cherokee, Mirror, Black, Folding, Power Remote, Left	12039.07
1999-2004 Grand Cherokee, Mirror, Black, Folding, Power Remote, Right	12039.06
1999-2004 Grand Cherokee, Mirror, Black, Folding, Power Remote, Heated, Left	12039.09
1999-2004 Grand Cherokee, Mirror, Black, Folding, Power Remote, Heated, Right	12039.08
2005-2010 Grand Cherokee, Mirror, Black, Folding, Power Remote, Left	12039.11
2005-2010 Grand Cherokee, Mirror, Black, Folding, Power Remote, Right	12039.10
2005-2010 Grand Cherokee, Mirror, Black, Folding, Power Remote, Heated, Left	12039.13
2005-2010 Grand Cherokee, Mirror, Black, Folding, Power Remote, Heated, Right	12039.12
1993-1998 Grand Cherokee, Liftgate Support Strut [Shock], Left	12012.07
1993-1998 Grand Cherokee, Liftgate Support Strut [Shock], Right	12012.06
1996-1998 Grand Cherokee, Liftgate Glass Support Strut [Shock], LH or RH	12012.09
1999-2004 Grand Cherokee, Liftgate Support Strut [Shock], LH or RH	12012.08
1999-2004 Grand Cherokee, Liftgate Glass Support Strut [Shock], LH or RH	12012.10
2005-2010 Grand Cherokee, Liftgate Support Strut [Shock] LH or RH	12012.18
2005-2007 Grand Cherokee, Liftgate Glass Support Strut [Shock] LH or RH	12012.16
2008-2010 Grand Cherokee, Liftgate Glass Support Strut [Shock] LH or RH	12012.18
2005 Grand Cherokee, Power Window Regulator, LH, Front NEW	11821.09
2005 Grand Cherokee, Power Window Regulator, RH, Front NEW	11821.10
2001-2004 Grand Cherokee, Power Window Regulator, RH, Rear NEW	11821.12
2001-2004 Grand Cherokee, Power Window Regulator, LH, Rear NEW	11821.13
1999-2000 Grand Cherokee, Power Window Regulator, RH, Rear NEW	11821.24
1999-2000 Grand Cherokee, Power Window Regulator, LH, Rear NEW	11821.25
1999-2004 Grand Cherokee, Exterior Door Handle, RH, Front, Blk NEW	12039.14
1999-2004 Grand Cherokee, Exterior Door Handle, LH, Front, Blk NEW	12039.15
1999-2004 Grand Cherokee, Side Mirror, Power, Non-heated, RH NEW	12039.25
1999-2004 Grand Cherokee, Side Mirror, Power, Non-heated, LH NEW	12039.26
2011-2013 Grand Cherokee, Side Mirror, Heated, RH NEW	12046.40
2011-2013 Grand Cherokee, Side Mirror, Heated, LH NEW	12046.41



[E] 12042.32



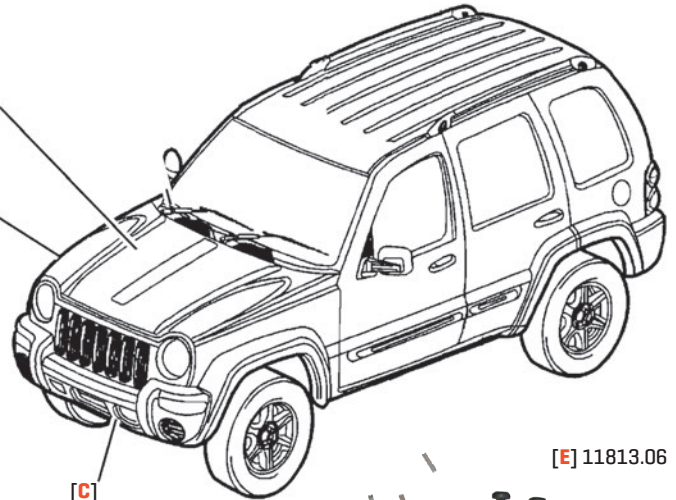
[E] 12042.31



[C] 12042.05



Omixon-ADA
BUY WITH CONFIDENCE
MINIMUM 5 YEAR WARRANTY



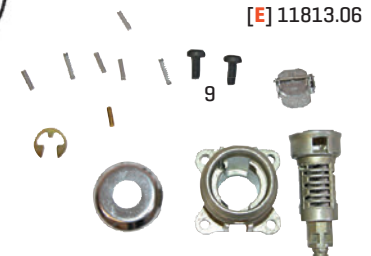
[E] 12042.11



[A] 12012.13



[E] 12012.15



[E] 11813.06

A. Hoods	Part#
2002-2004 Liberty, Hood	12042.01
2002-2007 Liberty, Hood Support Strut (Shock) LH or RH	12012.13
2005-2007 Liberty, Hood NEW	12042.20
2008-2012 Liberty, Hood NEW	12043.01

B. Fenders	Part#
2002-2004 Liberty, Fender, Left	12042.03
2002-2004 Liberty, Fender, Right	12042.02
2005-2007 Liberty, Front Fender, Right NEW	12042.22
2005-2007 Liberty, Front Fender, Left NEW	12042.23
2008-2012 Liberty, Grille, Matte Black NEW	12043.04
2008-2012 Liberty, Grille, Chrome NEW	12043.05

C. Bumpers & Components	Part#
2002-2004 Liberty Base, Limited, Sport, Front Bumper Cover, Primed for Paint	12042.05
2002-2004 Liberty Base, Limited, Sport, Front Bumper Cover, Gray	12042.06
2002-2004 Liberty Renegade, Front Bumper Cover	12042.07
2005-2007 Liberty, Bumper Cover, Rear	12042.29

D. Grilles	Part#
2002-2004 Liberty, Header Panel	12042.04
2005-2007 Liberty, Grille Support NEW	12042.24
2008-2012 Liberty, Grille Support NEW	12043.37



[A] 12042.01

E. Body Accessories	Part#
2002-2007 Liberty, Mirror, Black Textured, Folding, Non-power, Left	12042.11
2002-2007 Liberty, Mirror, Black Textured, Folding, Non-power, Right	12042.10
2002-2007 Liberty, Mirror, Black Textured, Folding, Power, Left	12042.13
2002-2007 Liberty, Mirror, Black Textured, Folding, Power, Right	12042.12
2002-2007 Liberty, Mirror, Black Textured, Folding, Power, Heater, Left	12042.15
2002-2007 Liberty, Mirror, Black Textured, Folding, Power, Heater, Right	12042.14
2002-2007 Liberty, Exterior Door Handle, Black Textured, Front, Left	12042.31
2002-2007 Liberty, Exterior Door Handle, Black Textured, With Lock Hole, Front, Right	12042.32
2002-2007 Liberty, Exterior Door Handle, Black Textured, Without Lock Hole, Front, Right	12042.34
2002-2007 Liberty, Exterior Door Handle, Black Textured, Rear, Left	12042.35
2002-2007 Liberty, Exterior Door Handle, Black Textured, Rear, Right	12042.36
2002-2003 Liberty, 2005-2007 Liberty, Door Lock Cylinder With Key, LH or RH	11813.07
2002-2007 Liberty, Liftgate Support Strut (Shock) LH or RH	12012.15



F. Window Components	Part#
2002-2007 Liberty, Window Regulator, Front, Left NEW	11821.15
2002-2007 Liberty, Window Regulator, Front, Right NEW	11821.16
2002-2007 Liberty, Window Regulator, Rear, Left NEW	11822.01
2002-2007 Liberty, Window Regulator, Rear, Right NEW	11822.02



[C] 12045.13



[D] 12045.40



[D] 12045.41



[E] 12044.06



[A] 12012.23



[F] 12044.11



[C] 12045.10

A. Commander Support Struts

Part#

2006-2010 Commander, Liftgate Strut NEW	12012.21
2006-2010 Commander, Hood Support Strut NEW	12012.22
2006-2010 Commander, Rear Window Support Strut NEW	12012.23

B. Commander Fenders

Part#

2006-2010 Commander, Front Fender, Right NEW	12045.04
2006-2010 Commander, Front Fender, Left NEW	12045.05

C. Commander Bumpers & Components

Part#

2006-2010 Commander, Front Bumper Cover NEW	12045.10
2006-2010 Commander, Front Bumper Cover NEW	12045.11
2006-2010 Commander, Front Bumper Insert, Chrome NEW	12045.12
2006-2010 Commander, Fog Light Inserts NEW	12045.13

D. Commander Body Accessories

Part#

2006-2010 Commander, Mirror, Power Heated, Right NEW	12045.40
2006-2010 Commander, Mirror, Power Heated, Left NEW	12045.41

E. Compass & Patriot Fenders

Part#

2007-2010 Compass, Front Fender, Right NEW	12044.04
2007-2010 Compass, Front Fender, Left NEW	12044.05
2007-2010 Patriot, Front Fender, Right NEW	12044.06
2007-2010 Patriot, Front Fender, Left NEW	12044.07

F. Compass & Patriot Bumpers & Components

Part#

2007-2010 Compass, Front Bumper Cover NEW	12044.10
2007-2010 Patriot, Front Bumper Cover, without tow hooks NEW	12044.11
2007-2010 Compass, Lower Front Bumper Cover NEW	12044.15



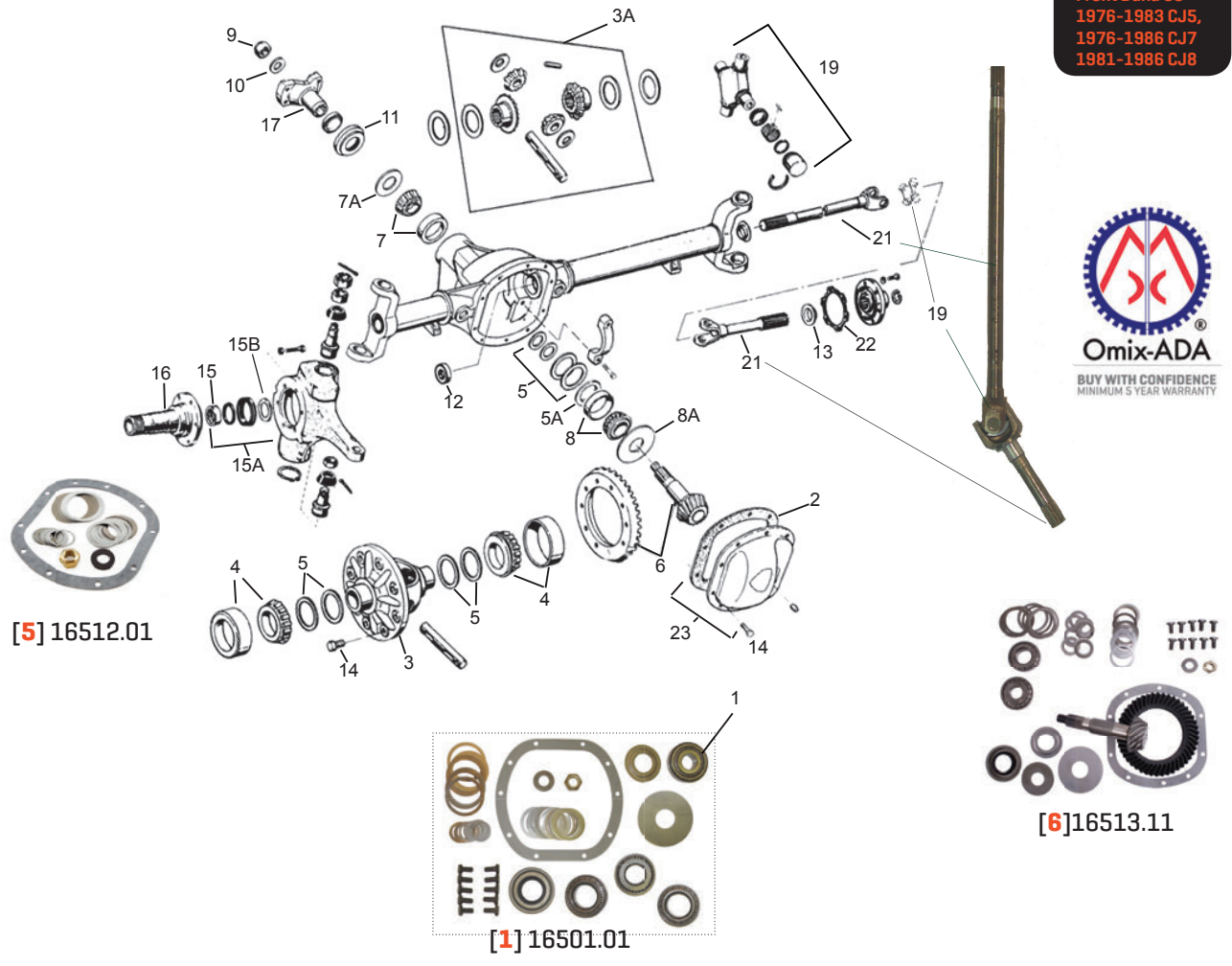
Keeping The **JEEP LEGEND** *Alive*

We are more than just a Jeep® parts and accessories manufacturer... we are Jeep® people. Over the years we have amassed an extensive Jeep® collection including this Willys MB.



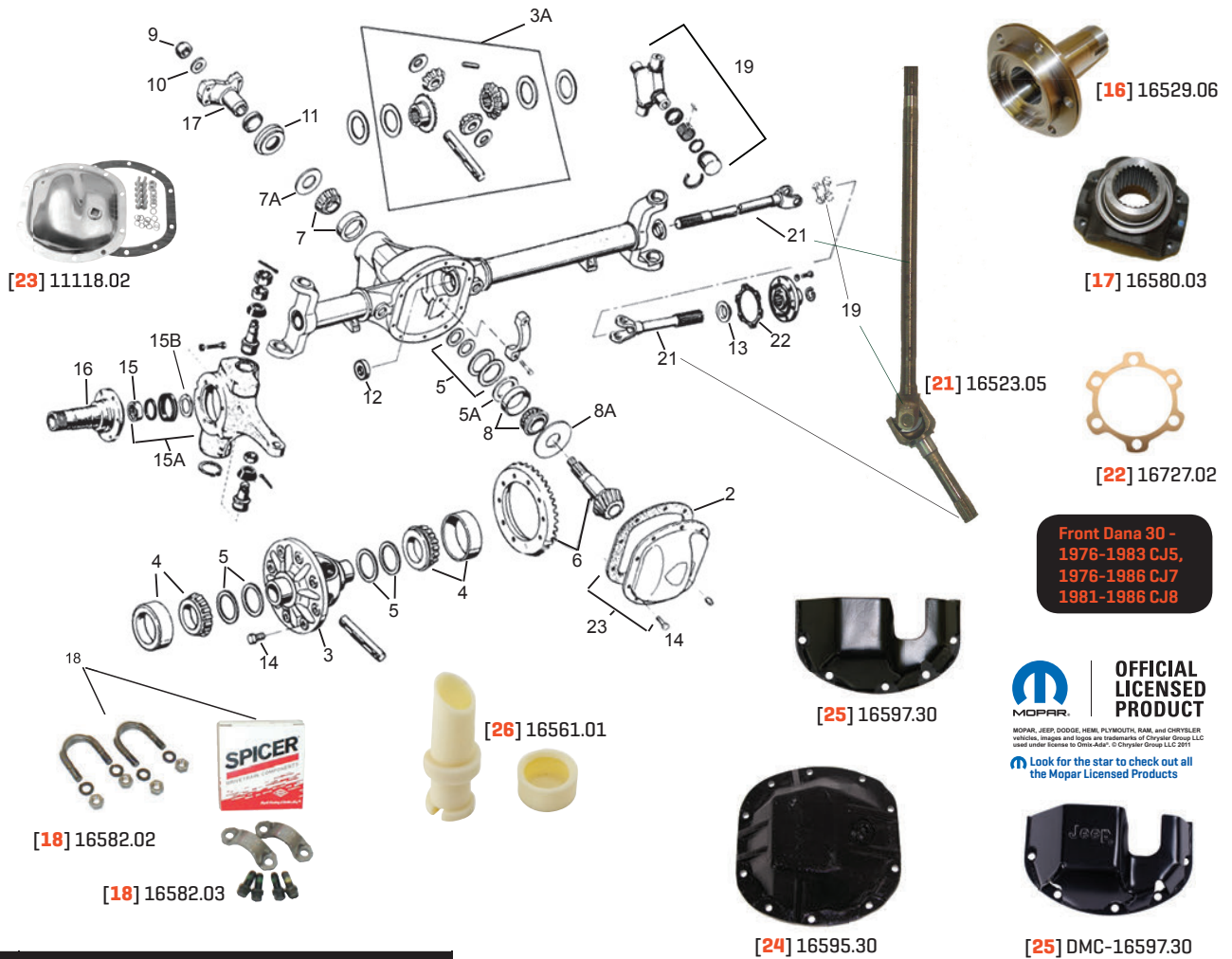
Axle - Front Dana Model 30

Front Dana 30 -
1976-1983 CJ5,
1976-1986 CJ7
1981-1986 CJ8



B. Front Dana 30		Part#
1	1972-1983 CJ5, 1972-1975 CJ5, 1976-1986 CJ7, 1981-1986 CJ8, Master Rebuild Kit (Dana 30) Alloy USA UPGRADE	352065
2	1972-1983 CJ5, 1972-1975 CJ5, 1976-1986 CJ7, 1981-1986 CJ8, Differential Cover Gasket (Dana 30)	16502.01
3	1981-1986 CJ8, Standard Differential Case (Dana 30), 2.75-3.54 Ratio	16503.04
3	1976-1983 CJ5, 1976-1986 CJ7, 1981-1986 CJ8, Standard Differential Case (Dana 30), 3.73 (1981), 4.09 to 4.10 (1976-1986) Ratio	16503.49
3	1976-1983 CJ5, 1976-1986 CJ7, 1981-1986 CJ8, Standard Differential Case (Dana 30), 3.73 to 5.38 Ratio	16503.05
3A	1972-1983 CJ5, 1972-1975 CJ5, 1976-1986 CJ7, 1981-1986 CJ8, Spider Gear Kit (Dana 30)	16507.02
4	1972-1983 CJ5, 1972-1975 CJ5, 1976-1986 CJ7, 1981-1986 CJ8, Differential Side Bearing Kit (Dana 30), Includes: 2 Bearings & 2 Cups	16509.05
5	1972-1983 CJ5, 1972-1975 CJ5, 1976-1986 CJ7, 1981-1986 CJ8, Carrier Shim Kit (Dana 30)	16512.01
5A	1972-1983 CJ5, 1972-1975 CJ5, 1976-1986 CJ7, 1981-1986 CJ8, Inner Pinion Bearing Baffle (Dana 30)	16512.53
6	1972-1983 CJ5, 1972-1975 CJ5, 1976-1986 CJ7, 1981-1986 CJ8, Ring & Pinion Kit (Dana 30), 3.54 Ratio [46x13 Teeth]	16513.11
6	1972-1983 CJ5, 1972-1975 CJ5, 1976-1986 CJ7, 1981-1986 CJ8, Ring & Pinion (Dana 30), 3.73 Ratio [41 x 11 Teeth] Alloy USA UPGRADE	D30373
6	1972-1983 CJ5, 1972-1975 CJ5, 1976-1986 CJ7, 1981-1986 CJ8, Ring & Pinion Kit (Dana 30), 4.10 Ratio [41 x 10 Teeth] Alloy USA UPGRADE	D30410

6	1972-1983 CJ5, 1972-1975 CJ5, 1976-1986 CJ7, 1981-1986 CJ8, Ring & Pinion Kit (Dana 30), 4.27 Ratio [47 x 11 Teeth]	16513.14
6	1972-1983 CJ5, 1972-1975 CJ5, 1976-1986 CJ7, 1981-1986 CJ8, Ring & Pinion Kit (Dana 30), 4.56 Ratio [41 x 9 Teeth] Alloy USA UPGRADE	D30456
6	1972-1983 CJ5, 1972-1975 CJ5, 1976-1986 CJ7, 1981-1986 CJ8, Ring & Pinion Kit (Dana 30), 4.88 Ratio Alloy USA UPGRADE	D30486
7	1972-1983 CJ5, 1972-1975 CJ5, 1976-1986 CJ7, 1981-1986 CJ8, Outer Pinion Bearing Kit (Dana 30), Includes: 1 Bearing Race & 1 Bearing Cup	16517.01
7A	1972-1983 CJ5, 1972-1975 CJ5, 1976-1986 CJ7, 1981-1986 CJ8, Outer Pinion Oil Slinger (Dana 30)	16512.52
8	1972-1983 CJ5, 1972-1975 CJ5, 1976-1986 CJ7, 1981-1986 CJ8, Inner Pinion Bearing Kit (Dana 30), Includes: 1 Bearing Race & 1 Bearing Cup	16515.02
8A	1972-1983 CJ5, 1972-1975 CJ5, 1976-1986 CJ7, 1981-1986 CJ8, Inner Pinion Oil Slinger (Dana 30)	16512.51
9	1972-1983 CJ5, 1972-1975 CJ5, 1976-1986 CJ7, 1981-1986 CJ8, Pinion Nut (Dana 30)	16584.01
10	1972-1983 CJ5, 1972-1975 CJ5, 1976-1986 CJ7, 1981-1986 CJ8, Pinion Washer (Dana 30)	16584.02
11	1972-1983 CJ5, 1972-1975 CJ5, 1976-1986 CJ7, 1981-1986 CJ8, Pinion Oil Seal (Dana 30)	16521.01
11	1972-1983 CJ5, 1972-1975 CJ5, 1976-1986 CJ7, 1981-1986 CJ8, Pinion Oil Seal (Dana 30), National Brand	16521.02
12	1972-1983 CJ5, 1972-1975 CJ5, 1976-1986 CJ7, 1981-1986 CJ8, Inner Axle Oil Seal (Dana 30), LH or RH	16526.02
13	1972-1983 CJ5, 1972-1975 CJ5, 1976-1986 CJ7, 1981-1986 CJ8, Inner Axle Dust Shield (Dana 30)	16527.04



B. Front Dana 30		Part#
14	1972-1983 CJ5, 1972-1975 CJ5, 1976-1986 CJ7, 1981-1986 CJ8, Ring Gear Bolt (Dana 30), [10 Required]	16522.01
14	1972-1983 CJ5, 1972-1975 CJ5, 1976-1986 CJ7, 1981-1986 CJ8, Differential Cover Bolt (Dana 30)	16522.02
15	1972-1983 CJ5, 1972-1975 CJ5, 1976-1986 CJ7, 1981-1986 CJ8, Spindle Bearing (Dana 30)	16529.03
15A	1972-1983 CJ5, 1972-1975 CJ5, 1976-1986 CJ7, 1981-1986 CJ8, Spindle Bearing Kit (Dana 30), With Seal & Washer	16529.04
15B	1972-1977 CJ5, 1972-1975 CJ5, 1976-1977 CJ7, Spindle Thrust Washer (Dana 30), With Drum Brakes	16529.05
16	1972-1977 CJ5, 1972-1975 CJ5, 1976-1977 CJ7, Spindle (Dana 30), With Drum Brakes	16529.06
16	1977-1986 CJ5, 1977-1986 CJ7, 1981-1986 CJ8, Spindle (Dana 30), With Disc Brakes	16529.07
17	1972-1983 CJ5, 1972-1975 CJ5, 1976-1986 CJ7, 1981-1986 CJ8, Yoke (Dana 30), (U-Bolt Style)	16580.02
17	1981-1983 CJ, 1981-1986 CJ7, 1981-1986 CJ8, Yoke (Strap & Bolt Style (Dana 30)), With Dana 300 Transfer Case	16580.03
17	1972-1983 CJ5, 1972-1975 CJ5, 1976-1986 CJ7, 1981-1986 CJ8, Yoke Kit, (U-Bolt Style (Dana 30)), Includes: Yoke, Pinion Spacer, Pinion Seals, U-Joints & Pinion Nut	16580.27
18	1972-1983 CJ5, 1972-1975 CJ5, 1976-1986 CJ7, 1981-1986 CJ8, Yoke U-Bolts (Dana 30), Pair	16582.01
18	1972-1983 CJ5, 1972-1975 CJ5, 1976-1986 CJ7, 1981-1986 CJ8, Yoke U-Bolts (Dana 30), Pair, Dana Spicer Brand	16582.02
18	1981-1983 CJ, 1981-1986 CJ7, 1981-1986 CJ8, Yoke Strap & Bolt Kit (Dana 30), With Dana 300 Transfer Case	16582.03
19	1972-1983 CJ5, 1972-1975 CJ5, 1976-1986 CJ7, 1981-1986 CJ8, U-Joint (Dana 30), LH or RH, Greasable	16525.01
19	1972-1983 CJ5, 1972-1975 CJ5, 1976-1986 CJ7, 1981-1986 CJ8, U-Joint (Dana 30), LH or RH, Non-Greasable	16525.03

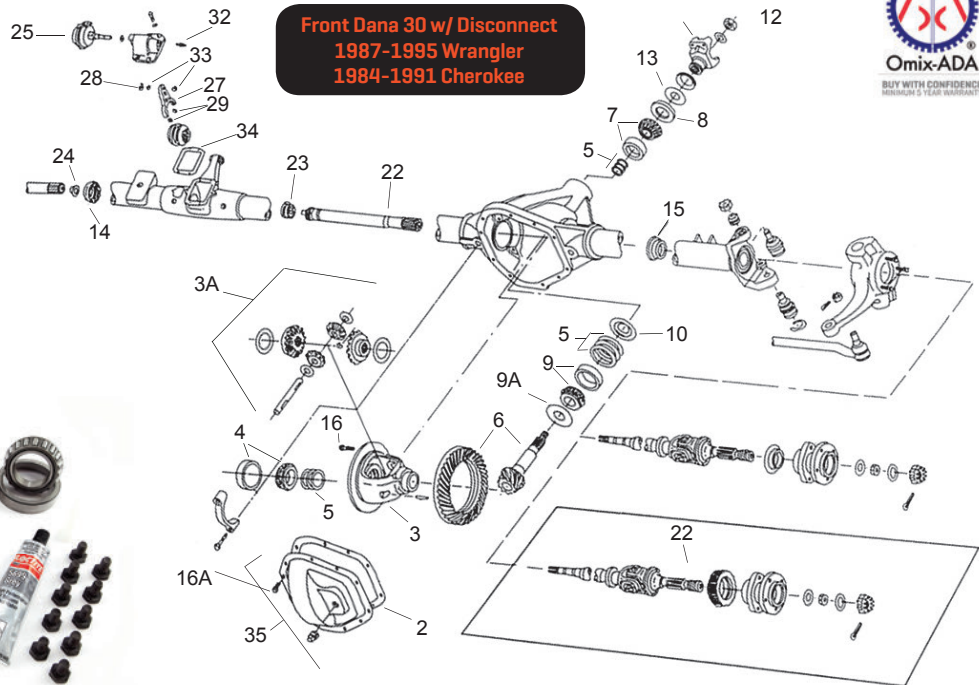
21	1977-1981 CJ5, 1977-1981 CJ7, 1981 CJ8, Dana 30 Grande 30-Spline Kit [Narrow-Trac Kit]	12129
	Alloy USA UPGRADE	
21	1977-1981 CJ5, 1977-1981 CJ7, 1981 CJ8, Dana 30 Grande 30-Spline Kit with ARB Locker [Narrow-Trac Kit] 3.73 & Up	12129-ARB
	Alloy USA UPGRADE	
21	1977-1981 CJ5, 1977-1981 CJ7, 1981 CJ8, Dana 30 27-Spline Kit [Narrow-Trac Kit]	12139
21	1982-1986 CJ7, 1982-1986 CJ8, Dana 30 Grande 30-Spline Kit [Wide-Trac Kit]	12130
	Alloy USA UPGRADE	
21	1982-1986 CJ7, 1982-1986 CJ8, Dana 30 Grande 30-Spline Kit with ARB Locker [Wide-Trac Kit] 3.73 & Up	12130-ARB
	Alloy USA UPGRADE	
21	1982-1986 CJ7, 1982-1986 CJ8, Dana 30 Grande 27-Spline Kit [Wide-Trac Kit]	12142
	Alloy USA UPGRADE	
22	1972-1983 CJ5, 1972-1975 CJ5, 1976-1986 CJ7, 1981-1986 CJ8, Drive Flange Gasket (Dana 30)	16727.02
23	1972-1983 CJ5, 1972-1975 CJ5, 1976-1986 CJ7, 1981-1986 CJ8, Differential Cover Kit (Dana 30), Stainless Steel	11118.02
	UPGRADE	
24	1972-1983 CJ5, 1972-1975 CJ5, 1976-1986 CJ7, 1981-1986 CJ8, Differential Cover Kit (Dana 30), Heavy Duty, Cast Steel	16595.30
	UPGRADE	
25	1972-1983 CJ5, 1972-1975 CJ5, 1976-1986 CJ7, 1981-1986 CJ8, Differential Cover (Dana 30), Heavy Duty, Cast Steel	11206
	Alloy USA UPGRADE	
25	1972-1983 CJ5, 1972-1975 CJ5, 1976-1986 CJ7, 1981-1986 CJ8, Differential Cover (Dana 30), Heavy Duty, Stamped Steel	11200
	Alloy USA UPGRADE	
25	1972-1983 CJ5, 1972-1975 CJ5, 1976-1986 CJ7, 1981-1986 CJ8, Differential Skid Plate (Dana 30), Heavy Duty, Cast Steel	16597.30
	UPGRADE	
25	1972-1983 CJ5, 1972-1975 CJ5, 1976-1986 CJ7, 1981-1986 CJ8, Axle Breather (Dana 30)	DMC-16597.30
	UPGRADE	
26	1972-1983 CJ5, 1972-1975 CJ5, 1976-1986 CJ7, 1981-1986 CJ8, Axle Breather (Dana 30)	16561.01



[1] 16711.01



[3B] 16505.01



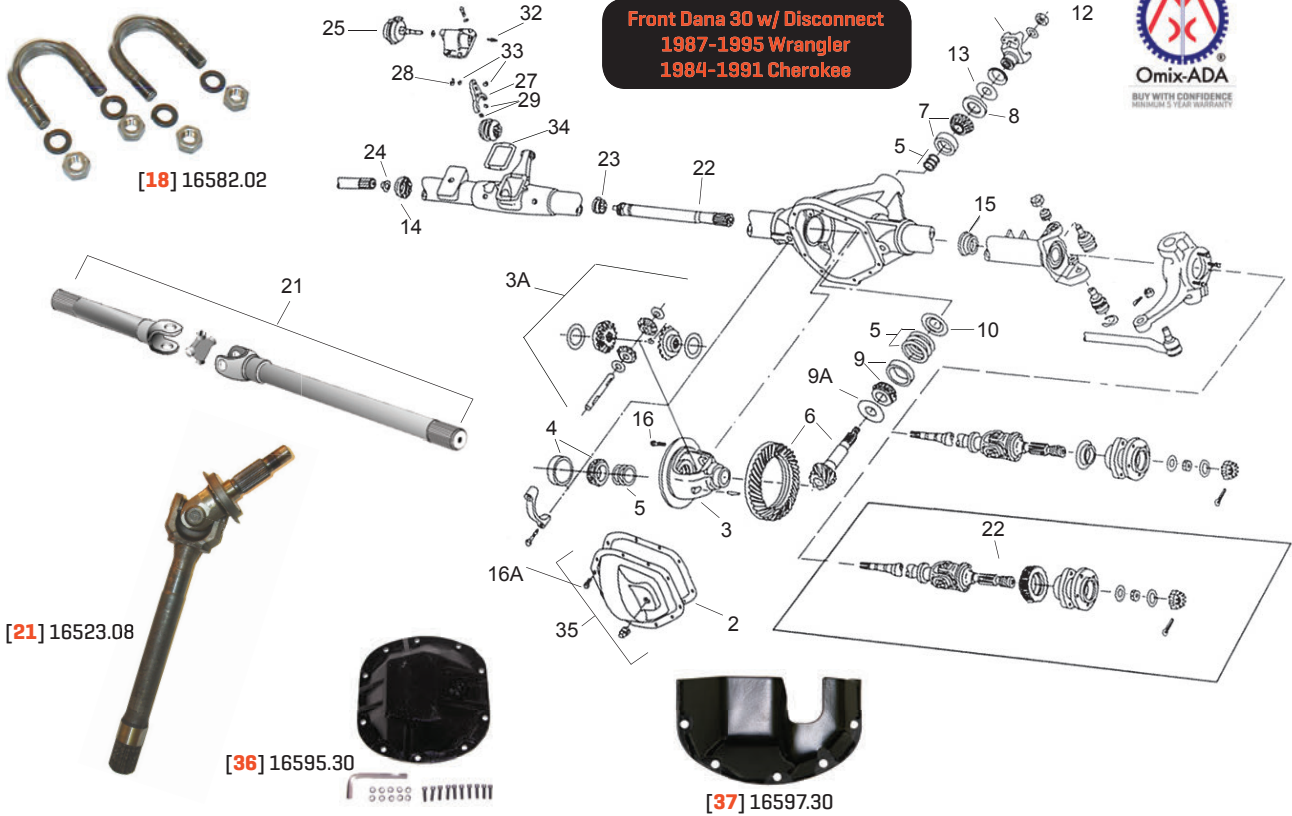
C. Front Dana 30 With Disconnect

Part#

	1984-1991 Cherokee, 1987-1995 Wrangler, <i>Differential Master Overhaul Kit</i> (Dana 30 w/ Disconnect) Alloy USA UPGRADE	352032
1	1972-1983 CJ5, 1972-1975 CJ5, 1976-1986 CJ7, 1981-1986 CJB, <i>Spindle Nut Socket</i> (Dana 30)	16711.01
1A	1984-1991 Cherokee, 1987-1995 Wrangler, <i>Differential Rebuild Kit</i> (Dana 30 w/ Disconnect)	16501.02
2	1984-1991 Cherokee, 1987-1995 Wrangler, <i>Differential Cover Gasket</i> (Dana 30 w/ Disconnect)	16502.01
3	1984-1991 Cherokee, 1987-1995 Wrangler, <i>Standard Differential Case</i> (Dana 30 w/ Disconnect), 2.75 to 3.54 Ratio	16503.04
3	1984-1991 Cherokee, 1987-1995 Wrangler, <i>Standard Differential Case</i> (Dana 30 w/ Disconnect), 3.73 to 5.38 Ratio	16503.05
3A	1984-1991 Cherokee, 1987-1995 Wrangler, <i>Spider Gear Kit, With Standard Differential</i> (Dana 30 w/ Disconnect)	16507.03
3B	1990-1995 Wrangler, 1990-1991 Cherokee, <i>Standard Differential Case Assembly Kit</i> (Dana 30 w/ Disconnect), 3.07 to 3.55 Ratio, Includes: Case, Spider Gears, Shims, Ring Gear Bolts & Gasket	16505.01
3B	1990-1995 Wrangler, 1990-1991 Cherokee, <i>Standard Differential Case Assembly Kit</i> (Dana 30 w/ Disconnect), 3.73 to 4.10 Ratio, Includes: Case, Spider Gears, Shims, Ring Gear Bolts & Gasket	16505.02
4	1984-1991 XJ Cherokee, 1987-1995 Wrangler, <i>Differential Side Bearing Kit</i> (Dana 30 w/ Disconnect), Includes 2 Bearings & 2 Cups	16509.05
5	1984-1991 Cherokee, 1987-1995 Wrangler, <i>Differential Side Bearing Shim Kit</i> (Dana 30 w/ Disconnect)	16512.02
Ring & Pinion Kits		
6	1984-1991 Cherokee, 1987-1995 Wrangler, <i>Ring & Pinion Kit</i> (Dana 30 w/ Disconnect), 3.07 Ratio (43 x 14 Teeth)	16513.20
6	1984-1991 Cherokee, 1987-1995 Wrangler, <i>Ring & Pinion Kit</i> (Dana 30 w/ Disconnect), 3.54 Ratio (39 x 11 Teeth)	16513.21
6	1984-1991 Cherokee, 1987-1995 Wrangler, <i>Ring & Pinion Kit</i> (Dana 30 w/ Disconnect), 3.73 Ratio (41 x 11 Teeth)	16513.22
6	1984-1991 Cherokee, 1987-1995 Wrangler, <i>Ring & Pinion Kit</i> (Dana 30 w/ Disconnect), 4.10 Ratio (41 x 10 Teeth)	16513.23
6	1984-1991 Cherokee, 1987-1995 Wrangler, <i>Ring & Pinion Kit</i> (Dana 30 w/ Disconnect), 4.56 Ratio (41 x 9 Teeth)	16513.24
6	1984-1991 Cherokee, 1987-1995 Wrangler, <i>Ring & Pinion Kit</i> (Dana 30 w/ Disconnect), 4.88 Ratio (43 x 9 Teeth)	16513.25

Ring & Pinion Gear Set

6A	1984-1991 Cherokee, 1987-1995 Wrangler, <i>Ring & Pinion Gear Set</i> (Dana 30 w/ Disconnect), 3.73 Ratio Alloy USA UPGRADE	D30373R
6A	1984-1991 Cherokee, 1987-1995 Wrangler, <i>Ring & Pinion Gear Set</i> (Dana 30 w/ Disconnect), 4.10 Ratio Alloy USA UPGRADE	D30410R
6A	1984-1991 Cherokee, 1987-1995 Wrangler, <i>Ring & Pinion Gear Set</i> (Dana 30 w/ Disconnect), 4.56 Ratio Alloy USA UPGRADE	D30456R
6A	1984-1991 Cherokee, 1987-1995 Wrangler, <i>Ring & Pinion Gear Set</i> (Dana 30 w/ Disconnect), 4.88 Ratio Alloy USA UPGRADE	D30488R
7	1984-1991 Cherokee, 1987-1995 Wrangler, <i>Outer Pinion Bearing Kit</i> (Dana 30 w/ Disconnect), Includes: 1 Bearing Race & 1 Bearing Cup	16517.01
8	1984-1991 Cherokee, 1987-1995 Wrangler, <i>Outer Pinion Oil Slinger</i> (Dana 30 w/ Disconnect)	16512.52
9	1984-1991 Cherokee, 1987-1995 Wrangler, <i>Inner Pinion Bearing Kit</i> (Dana 30 w/ Disconnect), Includes: 1 Bearing Race & 1 Bearing Cup	16515.02
9A	1984-1991 Cherokee, 1987-1995 Wrangler, <i>Inner Pinion Oil Slinger</i> (Dana 30 w/ Disconnect)	16512.51
10	1984-1991 Cherokee, 1987-1995 Wrangler, <i>Inner Pinion Bearing Baffle</i> (Dana 30 w/ Disconnect)	16512.53
11	1984-1991 Cherokee, 1987-1995 Wrangler, <i>Pinion Nut</i> (Dana 30 w/ Disconnect)	16584.01
12	1984-1991 Cherokee, 1987-1995 Wrangler, <i>Pinion Washer</i> (Dana 30 w/ Disconnect)	16584.02
13	1984-1991 Cherokee, 1987-1995 Wrangler, <i>Pinion Oil Seal</i> (Dana 30 w/ Disconnect)	16521.01
13	1984-1991 Cherokee, 1987-1995 Wrangler, <i>Pinion Oil Seal</i> (Dana 30 w/ Disconnect), National Brand	16521.02
14	1984-1991 Cherokee, 1987-1995 Wrangler, <i>Inner Axle Oil Seal</i> (Dana 30 w/ Disconnect), RH [2.12" O.D.]	16526.03
14	1984-1991 Cherokee, 1987-1995 Wrangler, <i>Inner Axle Oil Seal</i> (Dana 30 w/ Disconnect), RH [2.29" O.D.]	16526.06
15	1984-1991 Cherokee, 1987-1995 Wrangler, <i>Inner Axle Oil Seal</i> (Dana 30 w/ Disconnect), LH	16526.02



C. Front Dana 30 With Disconnect		Part#
16	1984-1991 Cherokee, 1987-1995 Wrangler, Ring Gear Bolt [Dana 30 w/ Disconnect], [10 Required]	16522.01
16A	1984-1991 Cherokee, 1987-1995 Wrangler, Differential Cover Bolt [Dana 30 w/ Disconnect]	16522.02
17	1984-1991 Cherokee, 1987-1995 Wrangler, Yoke U-Bolt Style [Dana 30 w/ Disconnect]	16580.02
17	1984-1991 Cherokee, 1987-1995 Wrangler, Yoke Strap & Bolt Style [Dana 30 w/ Disconnect]	16580.07
18	1984-1991 Cherokee, 1987-1995 Wrangler, Yoke U-Bolts [Dana 30 w/ Disconnect], Pair	16582.01
18	1984-1991 Cherokee, 1987-1995 Wrangler, Yoke U-Bolts [Dana 30 w/ Disconnect], Pair, Dana Spicer Brand	16582.02
19	1984-1991 Cherokee, 1987-1995 Wrangler, Yoke Strap & Bolt Kit [Dana 30 w/ Disconnect]	16582.03
20	1984-1991 Cherokee, 1987-1994 Wrangler, U-Joint [Dana 30 w/ Disconnect], LH or RH, Greasable	16525.01
20	1984-1991 Cherokee, 1987-1994 Wrangler, U-Joint [Dana 30 w/ Disconnect], LH or RH, Non-Greasable	16525.03
20	1995 Wrangler, U-Joint [Dana 30 w/ Disconnect], LH or RH, Greasable	16525.04
20	1995 Wrangler, U-Joint [Dana 30 w/ Disconnect], LH or RH, Non-Greasable	16525.05
21	1987-1995 Wrangler, Axle Shaft Assembly [Dana 30 w/ Disconnect], RH Without ABS	16523.08
21	1987-1995 Wrangler, Axle Shaft Assembly [Dana 30 w/ Disconnect], RH Without ABS	16523.10
21	1987-1995 Wrangler, Axle Shaft Assembly [Dana 30 w/ Disconnect], LH Without ABS	16523.09
21	1987-1995 Wrangler, Axle Shaft Assembly [Dana 30 w/ Disconnect], LH Without ABS	16523.11
21A	1984-1991 Cherokee, 1987-1995 Wrangler, Axle Shaft Kit [Dana 30 w/ Disconnect], Front Alloy USA UPGRADE	12145
21A	1984-1991 Cherokee, 1987-1995 Wrangler, Grande 30 Axle Shaft Kit [Dana 30 w/ Disconnect], Front Alloy USA UPGRADE	12131
21A	1984-1991 Cherokee, 1987-1995 Wrangler, Grande 30 Axle Shaft & ARB Air Locker Kit [Dana 30 w/ Disconnect], Front Alloy USA UPGRADE	12131-ARB
21A	1984-1991 Cherokee, 1987-1995 Wrangler, Grande 30 Axle Shaft Kit [Dana 30 w/ Disconnect], Front Alloy USA UPGRADE	12231
21A	1984-1991 Cherokee, 1987-1995 Wrangler, Grande 30 Axle Shaft & ARB Air Locker Kit [Dana 30 w/ Disconnect], Front Alloy USA UPGRADE	12231-ARB

22	1987-1994 Wrangler, Outer Axle [Stub] Shaft [Dana 30 w/ Disconnect], LH or RH Without ABS	16523.13
23	1987-1989 Wrangler, Inner Bushing Bearing [Dana 30 w/ Disconnect]	16527.20
23	1990-1995 Wrangler, Inner Bushing Bearing [Dana 30 w/ Disconnect], Without ABS	16527.06
24	1984-1989 Cherokee, 1987-1989 Wrangler, Outer Axle Shaft Bearing [Dana 30 w/ Disconnect]	16527.07
24	1990-1995 Wrangler, 1990-1991 Cherokee, Outer Axle Shaft Bearing [Dana 30 w/ Disconnect]	16527.08
25	1991-1995 Wrangler, Axle Disconnect Motor Assembly [Dana 30 w/ Disconnect]	16527.10
27	1987-1995 Wrangler, Axle Disconnect Shift Fork [Dana 30 w/ Disconnect]	16527.12
28	1987-1995 Wrangler, Axle Disconnect Motor Retaining Clip [Dana 30 w/ Disconnect]	16527.13
29	1987-1995 Wrangler, Axle Disconnect Shift Fork Insert [Dana 30 w/ Disconnect]	16527.14
33	1987-1995 Wrangler, Axle Disconnect Shift Fork Snap Ring [Dana 30 w/ Disconnect]	16527.18
34	1984-1991 Cherokee, 1987-1995 Wrangler [Dana 30 w/ Disconnect], Axle Disconnect Housing Cover Gasket	16527.19
35	1984-1991 Cherokee, 1987-1995 Wrangler, Differential Cover Kit [Dana 30 w/ Disconnect], Stainless Steel	11118.01
36	1984-1991 Cherokee, 1987-1995 Wrangler, Differential Cover Kit [Dana 30 w/ Disconnect], Heavy Duty, Cast Steel	16595.30
37	1984-1991 Cherokee, 1987-1995 Wrangler, Differential Skid Plate [Dana 30 w/ Disconnect], Heavy Duty, Cast Steel	16597.30
37	1984-1991 Cherokee, 1987-1995 Wrangler, Differential Skid Plate [Dana 30 w/ Disconnect], Heavy Duty, Cast Steel	DMC-16597.30

Axle - Front Dana Model 30

**1997-2014 Wrangler
1992-2001 Cherokee
1993-1998 Grand Cherokee**



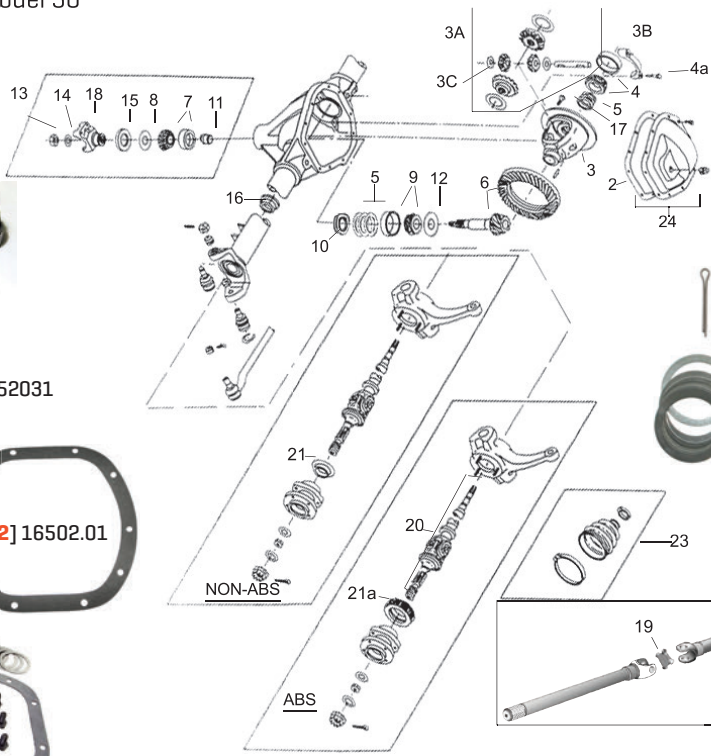
[1] 352031



[2] 16502.01



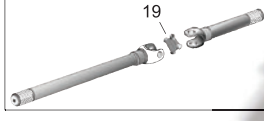
[3] 16503.04



[4] 16509.05



[5] 16512.05



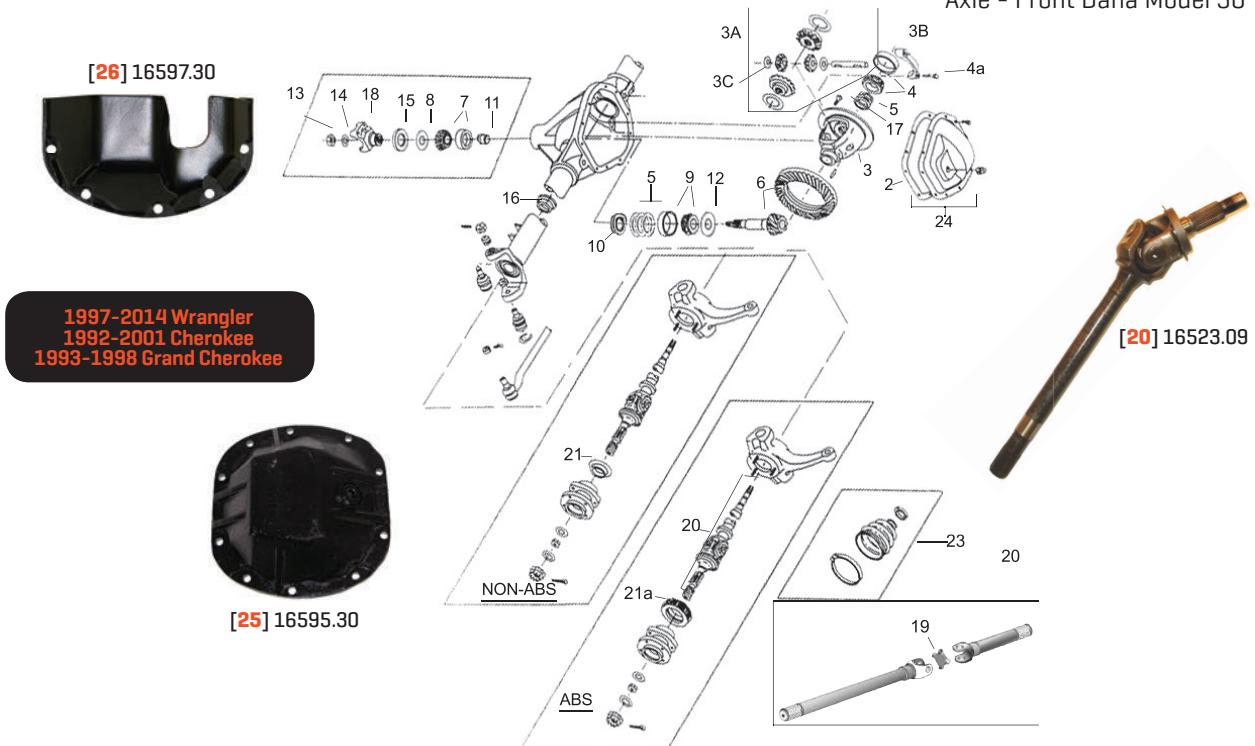
[6A] D30373TJ

D. Front Dana 30 Without Disconnect

	Part#
1	1992-2006 Wrangler & Cherokee, <i>Differential Master Overhaul Kit</i> , [Dana 30] Alloy USA UPGRADE
1	2007-2014 Wrangler, <i>Differential Master Overhaul Kit</i> , [Dana 30] Alloy USA UPGRADE
1	1993-1998 Grand Cherokee, <i>Differential Master Overhaul Kit</i> , [Dana 30] Alloy USA UPGRADE
2	1992-2001 Cherokee, 1993-1998 Cherokee, 1997-2011 Wrangler, <i>Differential Cover Gasket</i> [Dana 30]
3	1992-2001 Cherokee, 1993-1998 Cherokee, 1997-2011 Wrangler, <i>Standard Differential Case Kit</i> , 2.75 to 3.54 Ratio
3	1992-2001 Cherokee, 1993-1998 Cherokee, 1997-2011 Wrangler, <i>Standard Differential Case Kit</i> [Dana 30], 3.73 to 5.38 Ratio
3A	1992-2001 Cherokee, 1993-1998 Cherokee, 1997-2011 Wrangler, <i>Spider Gear Kit</i> (Dana 30), With Standard Differential
3A	2007-2013 Wrangler, <i>Differential Part Kit (Front)</i> NEW
3B	2007-2013 Wrangler, <i>Differential Case with Internal Parts (Front)</i> NEW
3B	1992-2001 Cherokee, 1993-1998 Cherokee, 1997-2011 Wrangler, <i>Cross Shaft</i> [Dana 30]
3B	1999-2006 Wrangler, 1999 Cherokee, <i>Differential Case Assembly</i> [Dana 30], 3.07 to 3.55 Ratio
3B	2002-2007 Liberty, <i>Differential Case Assembly</i> [Dana 30] 3.73 or 4.10 Ratio
3B	2005-2006 Liberty, <i>Differential Case Assembly</i> [Dana 30], 3.55 Ratio
3B	1999 Cherokee, <i>Differential Case Kit</i> [Dana 30], 3.07 to 3.55 Ratio
3C	1999-2006 Wrangler, <i>Pinion Thrust Washer</i> [Dana 30]
4	1992-2001 Cherokee, 1993-98 Grand Cherokee, 1997-2006 Wrangler, <i>Differential Side Bearing Kit</i> [Dana 30], Includes 2 Bearings & 2 Cups
4A	1992-2001 Cherokee, 1993-1998 Cherokee, 1997-2011 Wrangler, <i>Differential Bearing Cap Bolt</i> [Dana 30]
5	1999-2001 Cherokee, <i>Differential Bearing Shim Set</i> [Dana 30]
5	1999-2006 Wrangler, <i>Differential Bearing Shim Set</i> [Dana 30]
5	1993-1998 Grand Cherokee, 1997-2006 Wrangler, <i>Side or Pinion Bearing Shim Kit</i> [Dana 30]
Ring & Pinion Kits	
6	1992-2001 Cherokee, 1997-2006 Wrangler, <i>Ring & Pinion Kit</i> [Dana 30], 3.07 Ratio [34 x 14 Teeth]
6	1992-2001 Cherokee, 1997-2006 Wrangler, <i>Ring & Pinion Kit</i> [Dana 30], 3.55 Ratio [39 x 11 Teeth]
6	1992-2001 Cherokee, 1997-2006 Wrangler, <i>Ring & Pinion Kit</i> [Dana 30], 3.73 Ratio [41 x 11 Teeth]
6	1992-2001 Cherokee, 1997-2006 Wrangler, <i>Ring & Pinion Kit</i> [Dana 30], 4.10 Ratio [41 x 10 Teeth]

6	2001-2006 Wrangler, 2001 Cherokee, <i>Ring & Pinion Kit</i> [Dana 30], 3.07 Ratio [34 x 14]	16514.36
6	1993-1996 Grand Cherokee, <i>Ring & Pinion Kit</i> [Dana 30], 3.55 Ratio [39 x 11]	16513.38
6	1993-1996 Grand Cherokee, <i>Ring & Pinion Kit</i> [Dana 30], 3.55 Ratio [39 x 11]	16513.39
6	1999-2003 Grand Cherokee, <i>Ring & Pinion</i> [Dana 30], 3.55 Ratio [39 x 11]	16514.38
6	2000 Cherokee, <i>Ring & Pinion Kit</i> [Dana 30], 3.55 Ratio [41 x 11]	16514.39
6	2001-2006 Wrangler, 2001 Cherokee, <i>Ring & Pinion Kit</i> [Dana 30], 3.55 Ratio [39 x 11]	16514.47
6	2005-2006 Liberty, <i>Ring & Pinion</i> [Dana 30], 3.55 Ratio [39 x 11]	16514.45
6	2000 Cherokee [2.5L Diesel], <i>Ring & Pinion Kit</i> [Dana 30], 3.73 Ratio [41 x 11], LHD or RHD	16514.53
6	2002-2006 Wrangler, <i>Ring & Pinion</i> [Dana 30], 3.73 Ratio [41 x 11]	16513.90
6	2002-2007 Liberty, <i>Ring & Pinion</i> [Dana 30], 3.73 Ratio [41 x 11]	16514.50
6	2002-2006 Liberty, <i>Ring & Pinion</i> [Dana 30], 4.10 Ratio [41 x 10 Teeth]	16514.44
6	2001-2004 Wrangler, <i>Ring & Pinion Kit</i> [Dana 30], 4.10 Ratio [41 x 10 Teeth]	16514.42

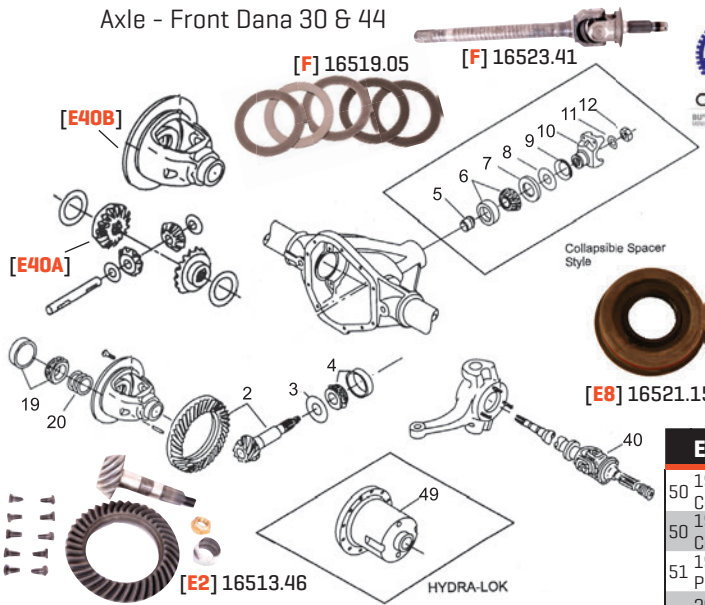
Ring & Pinion Gear Set		
6A	1997-2006 Wrangler, <i>Ring & Pinion Gear Set</i> [Dana 30], 3.73 Ratio Alloy USA UPGRADE	D30373TJ
6A	1997-2006 Wrangler, <i>Ring & Pinion Gear Set</i> [Dana 30], 4.10 Ratio Alloy USA UPGRADE	D30410TJ
6A	1997-2006 Wrangler, <i>Ring & Pinion Gear Set</i> [Dana 30], 4.56 Ratio Alloy USA UPGRADE	D30456TJ
6A	1997-2006 Wrangler, <i>Ring & Pinion Gear Set</i> [Dana 30], 4.88 Ratio Alloy USA UPGRADE	D30488TJ
6A	2007-2014 Wrangler, <i>Ring & Pinion Gear Set</i> [Dana 30], 3.73 Ratio Alloy USA UPGRADE	D30373RJK
6A	2007-2014 Wrangler, <i>Ring & Pinion Gear Set</i> [Dana 30], 4.10 Ratio Alloy USA UPGRADE	D30410RJK
6A	2007-2014 Wrangler, <i>Ring & Pinion Gear Set</i> [Dana 30], 4.88 Ratio Alloy USA UPGRADE	D30488RJK
6A	2007-2014 Wrangler, <i>Ring & Pinion Gear Set</i> [Dana 30], 5.13 Ratio Alloy USA UPGRADE	D30513RJK



D. Front Dana 30 Without Disconnect		Part#
7	1997-2014 Wrangler, 1992-2001 Cherokee, 1993-2004 Grand Cherokee 2002-2007 Liberty, Outer Pinion Bearing Kit (Dana 30), Includes: 1 Bearing & 1 Cup	16517.02
8	1997-2014 Wrangler, 1992-2001 Cherokee, 1993-2004 Grand Cherokee 2002-2007 Liberty, Outer Pinion Oil Slinger (Dana 30)	16512.52
8	2003-2014 Wrangler, Inner & Outer Pinion Oil Slinger (Dana 30)	16512.61
9	1997-2014 Wrangler, 1992-2001 Cherokee, 1993-1998 Grand Cherokee, Inner Pinion Bearing Kit (Dana 30), Includes: 1 Bearing & 1 Cup	16515.02
10	1997-2011 Wrangler, 1992-2001 Cherokee, 1993-1998 Grand Cherokee, Inner Pinion Bearing Baffle (Dana 30)	16512.53
10	2008-2012 Liberty, 2007-2013 Wrangler, Front Pinion Baffle (Dana 30) NEW	16512.22
11	1997-2006 Wrangler, 1992-2001 Cherokee, 1996-1998 Grand Cherokee, Collapsible Pinion Spacer (Dana 30)	16512.54
11	1997-2004 Wrangler, Collapsible Pinion Spacer (Dana 30)	16512.63
11	2007-2014 Wrangler, Pinion Crush Sleeve (Dana 30)	16512.65
12	1993-1998 Grand Cherokee, Inner Oilin Oil Slinger (Dana 30)	16512.51
12	2003-2014 Wrangler, Inner Pinion Oil Slinger (Dana 30)	16512.61
12	1999-2006 Wrangler, 1992-2001 Cherokee, Inner Pinion Oil Slinger (Dana 30)	16512.58
13	1997-2014 Wrangler, 1992-2001 Cherokee, 1993-1998 Grand Cherokee, Pinion Nut (Dana 30)	16584.01
13	2003-2006 Wrangler, Pinion Nut (Dana 30)	16584.04
14	1997-2014 Wrangler, 1992-2001 Cherokee, 1993-1998 Grand Cherokee, Pinion Washer (Dana 30)	16584.02
15	1997-2014 Wrangler, 1992-2001 Cherokee, 1993-1998 Grand Cherokee, Pinion Oil Seal (Dana 30)	16521.01
15	1997-2014 Wrangler, 1992-2001 Cherokee, 1993-1998 Grand Cherokee, Pinion Oil Seal (Dana 30), National Brand	16521.02
15	1997-2014 Wrangler, 1992-2001 Cherokee, 1993-1998 Grand Cherokee, Flanged Pinion Oil Seal (Dana 30)	16521.12
15	2007-2012 Wrangler, Front Pinion Oil Seal (Dana 30) NEW	16521.22
16	1992-2001 Cherokee, 1997-2006 TJ Wrangler, 1993-1998 Grand Cherokee, Inner Axle Oil Seal (Dana 30), LH or RH	16526.02
17	1992-2001 Cherokee, 1993-1998 Grand Cherokee, 1997-2011 Wrangler, Ring Gear Bolt (Dana 30)	16522.01
18	1992-2001 Cherokee, 1993-1998 Grand Cherokee, 1997-2006 Wrangler (Dana 30), Yoke U-Bolt Style (Dana 30 w/ Disconnect)	16580.02
18	1992-2001 Cherokee, 1993-1998 Grand Cherokee, 1997-2006 Wrangler (Dana 30), Yoke Strap & Bolt Style (Dana 30 w/ Disconnect)	16580.07
18A	1992-2001 Cherokee, 1993-1998 Grand Cherokee, 1997-2006 Wrangler (Dana 30), Yoke U-Bolt Pair (Dana 30)	16582.01
18A	1992-2001 Cherokee, 1993-1998 Grand Cherokee, 1997-2006 Wrangler (Dana 30), Yoke U-Bolt Pair (Dana 30), Dana Spicer Brand	16582.02
18B	1992-2001 Cherokee, 1993-1998 Grand Cherokee, 1997-2006 Wrangler (Dana 30), Yoke Strap & Bolt (Dana 30)	16582.03
19	1992-2001 Cherokee, 1993-1998 Grand Cherokee, 1997-2011 Wrangler (Dana 30), U-Joint, Greasable, LH or RH	16525.04
19	1992-2001 Cherokee, 1993-1998 Grand Cherokee, 1997-2011 Wrangler (Dana 30), U-Joint, Non-Greasable, LH or RH, Dana Spicer Brand	16525.05

20	1997-2006 Wrangler, 1992-2001 Cherokee, Axle Shaft Assembly (Dana 30), RH Without ABS	16523.16
20	1997-2006 Wrangler, 1992-2001 Cherokee, 1997-1998 Grand Cherokee, Axle Shaft Assembly (Dana 30), RH With ABS	16523.18
20	1997-2006 Wrangler, 1992-2001 Cherokee, Axle Shaft Assembly (Dana 30), LH Without ABS	16523.09
20	1997-2006 Wrangler, 1992-2001 Cherokee, 1997-1998 Grand Cherokee, Axle Shaft Assembly (Dana 30), RH With ABS	16523.11
20	1993-1998 Grand Cherokee, Axle Shaft Assembly (Dana 30), RH, CV Style	16523.20
20	1993-1998 Grand Cherokee, Axle Shaft Assembly (Dana 30), LH, CV Style	16523.21
20	1993-1998 Grand Cherokee, Axle (Stub) Shaft (Dana 30), Outer LH or RH, CV Style	16523.22
20	2007-2013 Wrangler, Axle Shaft Assembly (Dana 30), RH NEW	16523.54
20	2007-2013 Wrangler, Axle Shaft Assembly (Dana 30), LH NEW	16523.55
20	1997-2006 Wrangler, 1992-2001 Cherokee, 1997-1998 Grand Cherokee, Axle Shaft Outer Dust Shield (Dana 30), RH With ABS	16527.21
21	1992-2006 Wrangler, 1992-2001 Cherokee, Axle Shaft kit (Dana 30), Front Alloy USA UPGRADE	12148
21	1997-2006 & 2004-2006 Wrangler, 1992-2001 Cherokee, Grande 30 Axle Shaft Kit (Dana 30), Front Alloy USA UPGRADE	12132
21	1997-2006 & 2004-2006 Wrangler, 1992-2001 Cherokee, Grande 30 Axle Shaft & ARB Air Locker Kit (Dana 30), Front Alloy USA UPGRADE	12132-ARB
21	1997-2006 & 2004-2006 Wrangler, 1992-2001 Cherokee, Grande 30 Axle Shaft Kit (Dana 30), Front Alloy USA UPGRADE	12232
21	1997-2006 & 2004-2006 Wrangler, 1992-2001 Cherokee, Grande 30 Axle Shaft & ARB Air Locker Kit (Dana 30), Front Alloy USA UPGRADE	12232-ARB
21	2007-2014 Wrangler, Axle Shaft Kit (Dana 30), Front, LH or RH Alloy USA UPGRADE	12152
21A	1997-2006 Wrangler, 1992-2001 Cherokee, 1997-1998 Grand Cherokee, Axle Tone Ring (Dana 30), With ABS	16527.42
22	1997-2006 Wrangler, 1992-2001 Cherokee, 1997-1998 Grand Cherokee, Inner Axle Dust Shield (Dana 30), LH or RH	16527.22
22	1993-1998 Grand Cherokee, Outer Axle Oil Slinger (Dana 30)	16512.57
23	1993-1998 Grand Cherokee, CV Axle Boot Kit, LH or RH (Dana 30)	16527.30
24	1997-2014 Wrangler, 1992-2001 Cherokee, 1997-1998 Grand Cherokee, Differential Cover Kit (Dana 30)	16595.81
24	2002-2007 Liberty, Differential Cover Kit (Dana 30)	16595.82
25	1997-2014 Wrangler, 1992-2001 Cherokee, 1997-1998 Grand Cherokee, Differential Cover Kit (Dana 30), Heavy Duty, Cast Steel	16595.30
26	1997-2011 Wrangler, 1992-2001 Cherokee, 1997-1998 Grand Cherokee, Differential Skid Plate (Dana 30), Heavy Duty, Cast Steel	16597.30
26	1997-2014 Wrangler, 1992-2001 Cherokee, 1997-1998 Grand Cherokee, Differential Skid Plate (Dana 30), Heavy Duty, Cast Steel	DMC-16597.30
26	1997-2006 Wrangler, 1992-2001 Cherokee, 1997-1998 Grand Cherokee, Differential Cover Drain Plug (Dana 30)	16595.95

Axle - Front Dana 30 & 44



**Front Dana Super 30 -
1999-2004 Grand Cherokee
2002-2007 Liberty**



MOPAR, JEEP, DODGE, RAM, PLYMOUTH, and CHRYSLER vehicles. Images and logos are trademarks of Chrysler Group LLC used under license to Omix-ADA. © Chrysler Group LLC 2011
Look for the star to check out all the Mopar Licensed Products



E. Front Dana Super 30

E. Front Dana Super 30

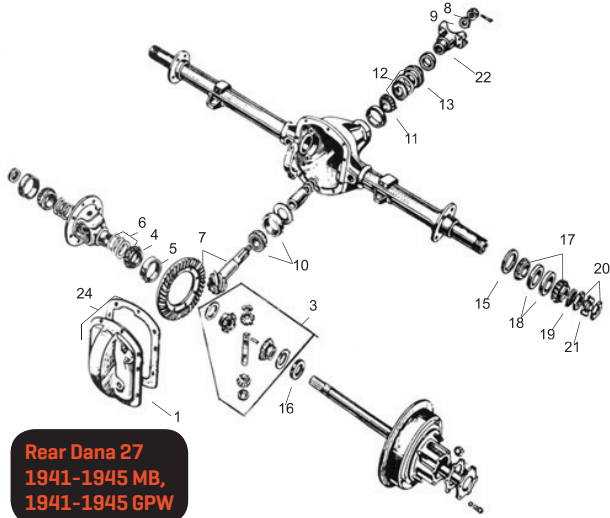
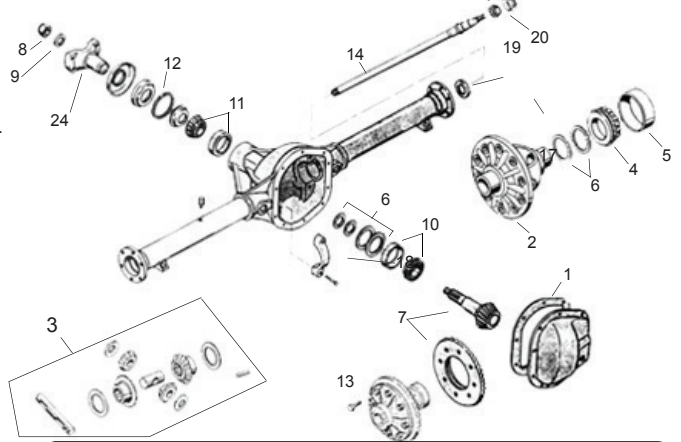
	Part#
1	1999-2004 Grand Cherokee, Ring & Pinion (Dana Super 30), 3.55 Ratio
2	1999-2004 Grand Cherokee, Ring & Pinion Kit (Dana Super 30), 3.73 Ratio
2	1999-2004 Grand Cherokee, Ring & Pinion (Dana Super 30), 3.91 Ratio
3	2002-2007 Liberty, Pinion Shim Kit (Dana Super 30)
4	1999-2004 Grand Cherokee, Inner Pinion Bearing Kit (Dana Super 30)
4	2002-2007 Liberty, Inner Pinion Bearing Kit (Dana Super 30)
5	1999-2000 Grand Cherokee, Collapsible Pinion Spacer (Dana Super 30)
5	2001-2004 Grand Cherokee, Collapsible Pinion Spacer (Dana Super 30)
6	1999-2004 Grand Cherokee 2002-2007 Liberty, Outer Pinion Bearing (Dana Super 30), Includes: 1 Bearing & 1 Cup
7	2002-2007 Liberty, Outer Pinion Oil Slinger (Dana Super 30)
7	2002-2006 Liberty, Pinion Bearing Slinger (Dana Super 30) NEW
8	1999-2000 Grand Cherokee, Inner Pinion Seal (Dana Super 30)
8	2001-2004 Grand Cherokee, Inner Pinion Oil Seal (Dana Super 30)
9	1999-2004 Grand Cherokee, Outer Pinion Seal (Dana Super 30)
11	1999-2004 Grand Cherokee, 2002-2007 Liberty, Pinion Washer (Dana Super 30)
12	1999-2004 Grand Cherokee, 2002-2007 Liberty, Pinion Nut (Dana Super 30)
19	2002-2007 Liberty, Differential Side Bearing Kit (Dana Super 30), Includes: 2 Bearings & 2 Cups
20	1999-2004 Grand Cherokee, Differential Seal Kit (Dana Super 30)
21	1999-2004 Grand Cherokee, 2002-2007 Liberty, Differential Bearing Cap Bolt (Dana Super 30)
	2002-2007 Liberty, Differential Parts Kit (Dana Super 30)
40	1999-2004 Grand Cherokee, CV Axle Shaft Assembly (Dana Super 30), Front LH With Vari-Lok & ABS
40	2002-2007 Liberty, Axle Shaft (Dana Super 30), Front Inner, LH or RH
40	1999-2004 Grand Cherokee, CV Axle Shaft Assembly (Dana Super 30), Front RH With ABS
40	1999-2004 Grand Cherokee, CV Axle Shaft Assembly (Dana Super 30), Front LH With ABS
40	1999-2004 Grand Cherokee, CV Axle Shaft Assembly (Dana Super 30), Front RH With Vari-Lok & ABS
40	2002-2007 Liberty, Axle Bearing (Dana Super 30)
40	2002-2009 Liberty, Axle Shaft Oil Seal (Dana Super 30)
40	2002-2009 Liberty, Axle Snap Ring (Dana Super 30)
40A	2002-2009 Liberty, Spider Gear Set (Dana Super 30)
40B	1999-2004 Grand Cherokee, Standard Differential Case Assembly (Dana Super 30), 3.55 Ratio
40B	1999-2004 Grand Cherokee, Differential Case Assembly (Dana Super 30), With Vari-Lok, 3.73 to 3.91 Ratio
49	1999-2004 Grand Cherokee, Vari-Lok 3.73 and UP Ratio (Dana Super 30)
49	1999-2004 Grand Cherokee, Vari-Lok Axle Plenum (Dana Super 30)

	Part#
50	1999-2004 Grand Cherokee, 2002-2007 Liberty, Differential Cover Kit (Dana Super 30), Heavy Duty, Cast Steel UPGRADE
50	1999-2004 Grand Cherokee, 2002-2007 Liberty, Differential Cover Kit (Dana Super 30), Heavy Duty, Cast Steel UPGRADE
51	1999-2004 Grand Cherokee, 2002-2007 Liberty, Differential Skid Plate (Dana Super 30), Heavy Duty, Cast Steel UPGRADE
	2002-2007 Liberty, Pinion Oil Seal (Dana Super 30)
	2002-2007 Liberty, CV Axle Boot Kit (Dana Super 30), Inner
	2002-2007 Liberty, CV Axle Boot Kit (Dana Super 30), Outer
	2002-2007 Liberty, Axle Shaft Assembly (Dana Super 30), RH
	2002-2007 Liberty, Axle Shaft Assembly (Dana Super 30), LH
	2002-2006 Liberty, Axle Shaft Assembly (Dana Super 30), Front RH NEW
	2002-2006 Liberty, Axle Shaft Assembly (Dana Super 30), Front LH NEW
	2005-2010 Grand Cherokee, CV Axle Boot Kit (Dana Super 30), Inner
	2005-2010 Grand Cherokee, CV Axle Boot Kit (Dana Super 30), Outer
	2005-2010 Grand Cherokee, Axle Shaft Assembly (Dana Super 30), RH With or Without Limited Slip Differential
	2005-2010 Grand Cherokee, Axle Shaft Assembly (Dana Super 30), LH Without Limited Slip Differential
	2005-2010 Grand Cherokee, Axle Shaft Assembly (Dana Super 30), LH With Limited Slip Differential

	Part#
	2007-2011 Compass, Axle Shaft Assembly, Front RH NEW
	2007-2011 Compass, Axle Shaft Assembly, Front RH NEW
	2007-2010 Compass & Patriot, CV Boot Kit, Outer Front NEW
	2007-2010 Compass & Patriot, CV Boot Kit, Inner Front NEW
	2004-2007 Grand Cherokee, CV Boot Kit, Outer Front NEW

	Part#
	2003-2006 Wrangler, Inner Pinion Oil Seal (Dana 44 Front)
	2003-2006 Wrangler, Pinion Nut (Dana 44 Front)
	2003-2014 Wrangler, Inner & Outer Pinion Oil Slinger (Dana 44 Front)
	2003-2014 Wrangler, Pinion Shim Kit [0.050-0.054] (Dana 44 Front)
	2003-2014 Wrangler, Pinion Shim Kit [0.035-0.039] (Dana 44 Front)
	2003-2014 Wrangler, Pinion Shim Kit [0.040-0.044] (Dana 44 Front)
	2003-2014 Wrangler, Pinion Shim Kit [0.045-0.049] (Dana 44 Front)
	2007-2014 Wrangler, Pinion Crush Sleeve (Dana 44 Front)
	2003-2006 Wrangler, Dana 44 with Trac Lok Air Locker, Ring and Pinion, 4.10 Ratio (Dana 44 Front)
	2003-2006 Wrangler, Differential Case Assembly, 4.10-4.56 Ratio (Dana 44 Front)
	1997-2014 Wrangler, Differential Bearing Cap Bolt (Dana 44 Front)
	2001-2006 Wrangler, Differential Cover Gasket (Dana 44 Front)
	2003-2006 Wrangler, Axle Shaft Assembly (Dana 44 Front), LH
	2003-2006 Wrangler, Axle Shaft Assembly (Dana 44 Front), RH
	2007-2013 Wrangler, Axle Shaft Assembly (Dana 44 Front), RH NEW
	2007-2013 Wrangler, Axle Shaft Assembly (Dana 44 Front), LH NEW
	2007-2014 Wrangler, Ring & Pinion (Front Dana 44), 4.10 Ratio
	2008-2014 Wrangler, Ring & Pinion (Rear Dana 44), 3.73 Ratio NEW
	1972-1983 CJ5, 1972-1975 CJ6, 1986 CJ7, 1987-2011 Wrangler, 1993-1998 Grand Cherokee, Differential Skid Plate (Rear Dana 44), Heavy Duty, Cast Steel
	Differential Skid Plate, Heavy Duty, Jeep Logo, Dana 44, Mopar Licensed
	2007-2011 Wrangler, Differential Bearing Kit (Dana 44 Front) NEW
	2007-2014 Wrangler, Differential Shim Kit (Dana 44 Front) NEW
	2007-2013 Wrangler Rubicon, U-Joint (Dana 44 Front) NEW
	2007-2014 Wrangler, Axle Seal & Guide (Dana 44 Front) NEW

Axle - Rear Dana 27 & Rear Dana 44 with Tapered Axles



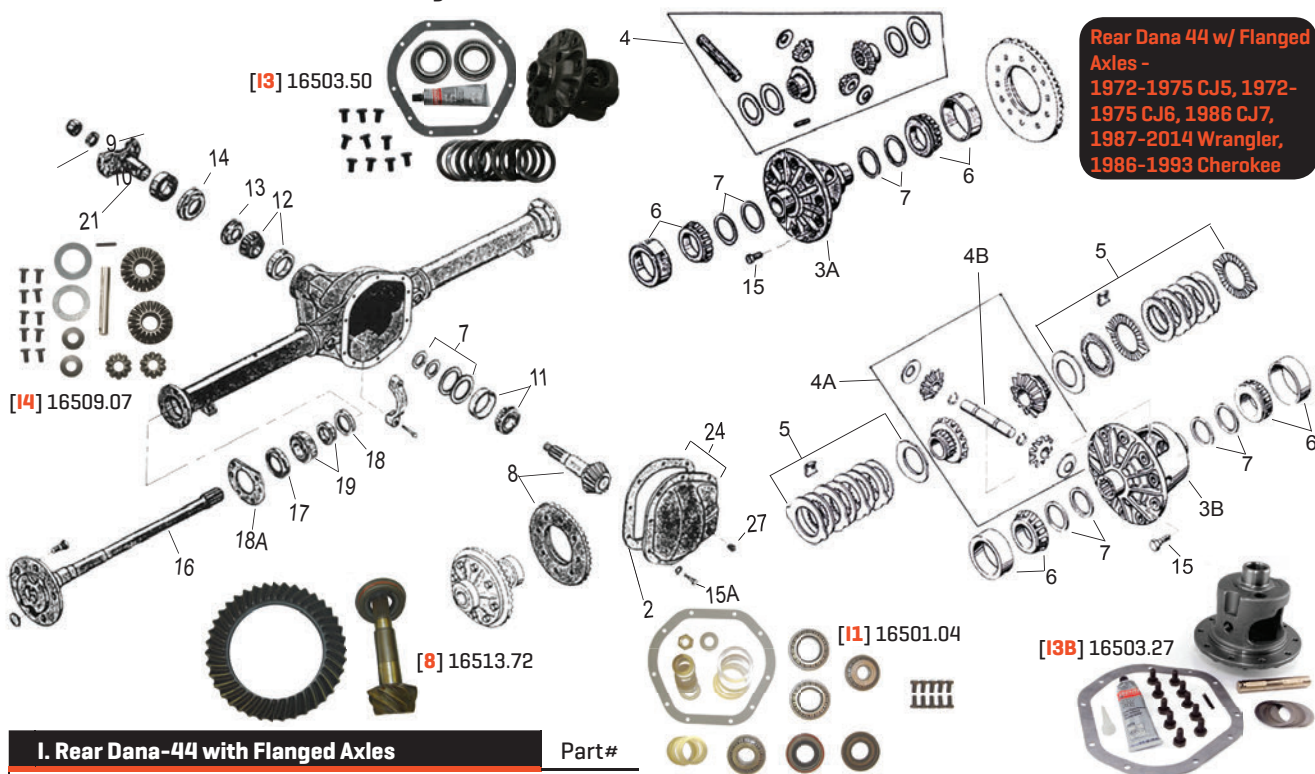
Rear Dana 27
1941-1945 MB,
1941-1945 GPW

Rear Dana 44 w/ Tapered Axles -
1950-1953 CJ3A, 1950-1952 M38, 1952-1971 M38A1, 1946-1964 Truck, 1946-1964 Station Wagon, 1953-1967 CJ3B, 1955-1971 CJ5, 1955-1971 CJ6

G. Rear Dana 27		Part#
1	1941-1945 MB, 1941-1945 Ford GPW, Differential Cover Gasket [Dana 27 Rear]	16502.01
3	1941-1945 MB, 1941-1945 Ford GPW, Spider Gear Kit for Standard Differential [Dana 27 Rear]	16507.01
4	1941-1945 MB, 1941-1945 Ford GPW, Differential Side Bearing [Dana 27 Rear], [2 Required]	16509.01
5	1941-1945 MB, 1941-1945 Ford GPW, Differential Side Bearing Cup [Dana 27 Rear], [2 Required]	16509.03
6	1941-1945 MB, 1941-1945 Ford GPW, Differential Side Bearing Shim Kit [Dana 27 Rear]	16511.01
7	1941-1945 MB, 1941-1945 Ford GPW, Ring & Pinion, 4.88 Ratio [Dana 27 Rear], 39 x 8 Teeth	16513.02
8	1941-1945 MB, 1941-1945 Ford GPW, Pinion Nut [Dana 27 Rear]	16584.01
9	1941-1945 MB, 1941-1945 Ford GPW, Pinion Washer [Dana 27 Rear]	16584.02
10	1941-1945 MB, 1941-1945 Ford GPW, Inner Pinion Bearing [Dana 27 Rear]	16515.01
11	1941-1945 MB, 1941-1945 Ford GPW, Outer Pinion Bearing [Dana 27 Rear]	16517.01
12	1941-1945 MB, 1941-1945 Ford GPW, Pinion Bearing Shim Kit [Dana 27 Rear]	16519.01
13	1941-1945 MB, 1941-1945 Ford GPW, Pinion Oil Seal [Dana 27 Rear]	16521.01
15	1941-1945 MB, 1941-1945 Ford GPW, Outer Wheel Oil Seal [Dana 27 Rear]	16708.01
16	1941-1945 MB, 1941-1945 Ford GPW, Inner Axle Oil Seal [Dana 27 Rear]	16526.01
17	1941-1945 MB, 1941-1945 Ford GPW, Axle Shaft Hub Bearing [Dana 27 Rear], Inner or Outer	16706.01
18	1941-1945 MB, 1941-1945 Ford GPW, Axle Shaft Hub Bearing Cap [Dana 27 Rear], Inner or Outer	16707.01
19	1941-1945 MB, 1941-1945 Ford GPW, Wheel Bearing Lock Washer [Dana 27 Rear]	16710.02
20	1941-1945 MB, 1941-1945 Ford GPW, Wheel Bearing Nut [Dana 27 Rear]	16710.03
21	1941-1945 MB, 1941-1945 Ford GPW, Wheel Bearing Nut Washer [Dana 27 Rear]	16710.04
21	1941-1945 MB, 1941-1945 Ford GPW, Spindle Nut and Washer Kit [Dana 27 Rear], Includes: 2 Nuts & 2 Washers	16710.01
22	1941-1945 MB, 1941-1945 Ford GPW, Pinion Shaft Yoke [Dana 27 Rear], 10 Spline	16580.04
25	1941-1945 MB, 1941-1945 Ford GPW, Yoke [Dana 27 Rear], 10 Spline	16582.01
25	1941-1945 MB, 1941-1945 Ford GPW, Yoke U-Bolts [Dana 27 Rear], Pair	16582.02

H. Rear Dana 44 With Tapered Axles		Part#
1	1950-1971 Models, Differential Cover Gasket Rear [Dana 44 W/ Tapered Axles]	16502.02
2	1950-1971 Models, Standard Differential Case [Dana 44 W/ Tapered Axles], 3.92 to 5.38 Ratio	16503.20
3	1951 Truck, 1946-1951 Station Wagon, Differential Spider Gear Kit [Dana 44 W/ Tapered Axles], 10 Spine	16507.15
3	1952-1964 Truck, 1952-1964 Station Wagon, 1953-1967 CJ3B, 1955-1971 C55, 1955-1971 CJ6, Differential Spider Gear Kit [Dana 44 W/ Tapered Axles], 19 Spine	16507.16
4	1950-1971 Models, Rear Dana 44, Differential Side Bearing [Dana 44 W/ Tapered Axles], [2 Required]	16509.20
5	1950-1971 Models, Rear Dana 44, Differential Cup [Dana 44 W/ Tapered Axles], [2 Required]	16509.21
6	1950-1971 Models, Differential Side & Pinion Bearing Shim Kit [Dana 44 W/ Tapered Axles]	16512.20
7	1950-1971 Models, Ring & Pinion [Dana 44 W/ Tapered Axles], 5.38 Ratio (43x8 Teeth), 10 Spline	16513.60
7	1950-1971 Models, Ring & Pinion [Dana 44 W/ Tapered Axles], 4.27 Ratio (47x11 Teeth), 10 Spline	16513.61
7	1950-1971 Models, Ring & Pinion [Dana 44 W/ Tapered Axles], 3.73 Ratio (41x11 Teeth), 26 Spline	16513.62
8	1950-1971 Models, Pinion Nut [Dana 44 W/ Tapered Axles]	16584.01
9	1950-1971 Models, Pinion Washer [Dana 44 W/ Tapered Axles]	16584.02
10	1950-1971 Models, Inner Pinion Bearing and Cup Kit [Dana 44 W/ Tapered Axles]	16515.01
11	1950-1971 Models, Outer Pinion Bearing and Cup Kit [Dana 44 W/ Tapered Axles]	16517.01
12	1950-1971 Models, Pinion Oil Seal [Dana 44 W/ Tapered Axles]	16521.01
13	1950-1971 Models, Ring Gear Bolt [Dana 44 W/ Tapered Axles]	16522.01
14	1948-1969 CJ, Rear Dana 44, Axle Shaft [Dana 44 W/ Tapered Axles], Front RH, 10 Spline	16530.04
14	1948-1969 CJ, Rear Dana 44, Axle Shaft [Dana 44 W/ Tapered Axles], Front RH, 19 Spline	16530.06
14	1948-1969 CJ, Rear Dana 44, Axle Shaft [Dana 44 W/ Tapered Axles], Front LH, 10 Spline	16530.03
14	1948-1969 CJ, Rear Dana 44, Axle Shaft [Dana 44 W/ Tapered Axles], Front LH, 19 Spline	16530.05
15	1950-1971 Models, Axle Shaft Nut [Dana 44 W/ Tapered Axles]	16533.01
16	1950-1971 Models, Axle Hub Key [Dana 44 W/ Tapered Axles]	16533.02
16	1950-1971 Models, Oversized Axle Hub Key [Dana 44 W/ Tapered Axles], For Use with Worn Hub Key Area	16533.12
17	1950-1971 Models, Rear Outer Axle Oil Seal [Dana 44 W/ Tapered Axles]	16534.01
18	1948-1969 CJ, Rear Dana 44, Rear Inner Axle Oil Seal [Dana 44 W/ Tapered Axles]	16535.01
19	1950-1971 Models, Inner Rear Output Shaft Bearing [Dana 44 W/ Tapered Axles]	16536.01
20	1950-1971 Models, Inner Rear Output Shaft Cup [Dana 44 W/ Tapered Axles]	16536.02
21	1950-1971 Models, Shim Kit Rear Axle Shaft Retainer [Dana 44 W/ Tapered Axles]	16533.03
22	1950-1971 Models, Rear Axle Hub [Dana 44 W/ Tapered Axles]	16537.01
24	1950-1971 Models, Yoke [Dana 44 W/ Tapered Axles], 10 Spline	16580.04
24	1950-1971 Models, Yoke [Dana 44 W/ Tapered Axles], 26 Spline	16580.02
25	1950-1971 Models, Yoke U-Bolt [Dana 44 W/ Tapered Axles], Pair	16582.01
25	1950-1971 Models, Yoke U-Bolt [Dana 44 W/ Tapered Axles], Pair, Dana Spicer Brand	16582.02

Axle - Rear Dana 44 with Flanged Axles



I. Rear Dana-44 with Flanged Axles

Part#

1	1972-2006 CJ & Wrangler, Differential Master Overhaul Kit (Rear Dana 44) Alloy USA UPGRADE	352033
1	2007-2014 Wrangler, Differential Master Overhaul Kit (Rear Dana 44) Alloy USA UPGRADE	352051
1	1972-1975 CJ5, 1972-1975 CJ6, 1986 CJ7, 1987-2000 Wrangler, 1986-1993 Cherokee, Differential Cover Gasket (Rear Dana 44)	16502.02
2	2001-2006 Wrangler, Differential Cover Gasket (Rear Dana 44)	16502.05
3	2003-2006 Wrangler, Trac Lok Differential Case Assembly Kit (Rear Dana 44)	16503.50
3A	1972-1975 CJ5, 1972-1975 CJ6, 1986 CJ7, Standard Differential Case (Rear Dana 44), 2.87 to 3.73 Ratio	16503.25
3A	1972-1975 CJ5, 1972-1975 CJ6, 1986 CJ7, Standard Differential Case (Rear Dana 44), 3.92 to 5.38 Ratio	16503.26
3A	2001-2003 Wrangler, Standard Differential Case Kit (Rear Dana 44), 3.73 Ratio	16503.65
3B	2001-2003 Wrangler, Trac Lok Differential Case Kit (Rear Dana 44), 3.73 Ratio	16503.27
3B	1972-1975 CJ5, 1972-1975 CJ6, 1986 CJ7, Trac Lok Differential Case Kit (Rear Dana 44), 3.92 to 5.38 Ratio	16503.28
3B	1987-1995 Wrangler, Trac Lok Differential Case Assembly Kit (Rear Dana 44), 3.07 to 3.54 Ratio	16505.10
3B	1997-2006 Wrangler, Trac Lok Differential Case Assembly Kit (Rear Dana 44), 3.07 to 3.54 Ratio, Except Rubicon	16503.27
3B	1997-2006 Wrangler, Trac Lok Differential Case (Rear Dana 44), 3.07 to 3.54 Ratio	16505.27
4	1972-1975 CJ5, 1972-1975 CJ6, 1986 CJ7, Spider Gear Set for Standard Differential (Rear Dana 44)	16507.17
4	2001-2006 Wrangler, Spider Gear Kit for Standard Differential (Rear Dana 44)	16509.07
4A	1972-1975 CJ5, 1972-1975 CJ6, 1986 CJ7 (With Rear Disc Brakes), Spider Gear Kit for Standard Differential (Rear Dana 44)	16507.18
4A	1987-2006 Wrangler, Spider Gear Kit with Disk Kit (Rear Dana 44)	16507.19
4A	2001-2006 Wrangler, Spider Gear Kit for Trac Lok (Rear Dana 44)	16509.08
5	1972-1975 CJ5, 1972-1975 CJ6, 1987-2006 Wrangler, Trac Lok Disk Kit (Rear Dana 44)	16508.01
6	1972-1975 CJ5, 1972-1975 CJ6, 1986 CJ7, 1987-2010 Wrangler, 1986-1993 Cherokee, Differential Side Bearing Kit (Rear Dana 44), Includes: 2 Bearings & 2 Cups	16509.22
7	Wrangler, 1986-1993 Cherokee, Differential Side & Pinion Bearing Shim Kit (Rear Dana 44)	16512.20
7	2001-2003 Wrangler, Differential Side Shim Kit (Rear Dana 44)	16512.07
7	2003-2006 Wrangler, Pinion Bearing Shim Kit (Rear Dana 44), 25 Pieces	16519.06
7	2003-2006 Wrangler Rubicon, Differential Shim Kit (Rear Dana 44)	16519.08
7	2003-2014 Wrangler, Pinion Shim Kit (Rear Dana 44), (0.035-0.039")	16519.02
7	2003-2014 Wrangler, Pinion Shim Kit (Rear Dana 44), (0.040-0.044")	16519.03
7	2003-2014 Wrangler, Pinion Shim Kit (Rear Dana 44), (0.015-0.049")	16519.04
7	2003-2014 Wrangler, Pinion Shim Kit (Rear Dana 44), (0.050-0.054")	16519.05

I. Rear Dana-44 with Flanged Axles

Part#

8	1972-1975 CJ5, 1972-1975 CJ6, 1986 CJ7, Ring & Pinion Kit (Rear Dana 44), 3.31 Ratio	16513.65
8	1972-1975 CJ5, 1972-1975 CJ6, 1986 CJ7, Ring & Pinion Kit (Rear Dana 44), 3.54 Ratio	16513.66
8	1997-2006 Wrangler, Ring & Pinion (Rear Dana 44), 3.55 Ratio	16513.67
8	1972-1975 CJ5, 1972-1975 CJ6, 1986 CJ7, 1987-2006 Wrangler, Ring & Pinion (Rear Dana 44), 3.73 Ratio	16513.62
8	1972-1975 CJ, 1986 CJ7, Rear Dana 44, Ring & Pinion Kit (Rear Dana 44), 4.09 Ratio	16513.68
8	1972-1975 CJ, 1986 CJ7, Ring & Pinion (Rear Dana 44), 4.27 Ratio	16513.70
8	1972-1975 CJ, 1986 CJ7, Ring & Pinion Kit (Rear Dana 44), 4.55 Ratio	16513.71
8	1972-1975 CJ, 1986 CJ7, Ring & Pinion (Rear Dana 44), 4.89 Ratio	16513.72
8	1972-1975 CJ, 1986 CJ7, Ring & Pinion (Rear Dana 44), 5.38 Ratio	16513.73
8	1991-1995 Wrangler, 1986-1993 Cherokee, Ring & Pinion (Rear Dana 44), 4.09 Ratio	16514.31
8	1997-2006 Wrangler, Ring & Pinion (Rear Dana 44), 4.10 Ratio	D44410
8	1997-2006 Wrangler, Ring & Pinion Kit (Rear Dana 44), 4.56 Ratio Alloy USA UPGRADE	D44456
8	2001-2003 Wrangler, Ring & Pinion Kit (Rear Dana 44), 3.07 Ratio	16514.41
8	2003-2006 Wrangler Rubicon, Ring & Pinion (Rear Dana 44), 4.88 Ratio Alloy USA UPGRADE	D44488X
8	2003-2006 Wrangler Rubicon, Ring & Pinion (Rear Dana 44), 5.13 Ratio Alloy USA UPGRADE	D44513X
8	2003-2006 Wrangler, Ring & Pinion Kit (Rear Dana 44), 3.73 Ratio Alloy USA UPGRADE	D44373
8	2003-2006 Wrangler, Ring & Pinion Kit (Rear Dana 44), 4.10 Ratio Alloy USA UPGRADE	D44410
8	2007-2014 Wrangler, Ring & Pinion Kit (Rear Dana 44), 4.10 Ratio Alloy USA UPGRADE	D44410JK
8	2007-2014 Wrangler, Ring & Pinion Kit (Rear Dana 44), 4.88 Ratio Alloy USA UPGRADE	D44488JK
8	2007-2014 Wrangler, Ring & Pinion Kit (Rear Dana 44), 5.13 Ratio Alloy USA UPGRADE	D44513JK
8	1986-1993 Cherokee, Ring & Pinion (Rear Dana 44), 3.54 Ratio	16514.32
9	1972-1975 CJ5, 1972-1975 CJ6, 1986 CJ7, 1987-2000 Wrangler, 1986-1993 Cherokee, 1993-1998 Grand Cherokee, Pinion Nut (Rear Dana 44)	16584.01
9	2003-2006 Wrangler, Pinion Nut (Rear Dana 44)	16584.04
10	1972-1975 CJ5, 1972-1975 CJ6, 1986 CJ7, 1987-2011 Wrangler, 1986-1993 Cherokee, 1993-1998 Grand Cherokee, Pinion Washer (Rear Dana 44)	16584.02
10	2001-2006 Wrangler, Pinion Thrust Washer (Rear Dana 44)	16584.09
10	2006-2010 Grand Cherokee, Thrust Washer (Rear Dana 44), 6.1L NEW	16584.13
11	1986-1993 Cherokee, 1993-1998 Grand Cherokee, Inner Pinion Bearing & Cup Kit (Rear Dana 44)	16515.01
12	1972-1975 CJ5, 1972-1975 CJ6, 1986 CJ7, 1987-2010 Wrangler, 1986-1993 Cherokee, 1993-1998 Grand Cherokee, Outer Pinion Bearing & Cup Kit (Rear Dana 44)	16517.01



OFFICIAL LICENSED PRODUCT

MOPAR, JEEP, DODGE, HEMI, PLYMOUTH, RAM, and CHRYSLER vehicles, images and logos are trademarks of Chrysler Group LLC used under license to Omix-Ada®, © Chrysler Group LLC 2011

Look for the star to check out all the Mopar Licensed Products



[17] 16534.02



BUY WITH CONFIDENCE
MINIMUM 5 YEAR WARRANTY

Rear Dana 44 w/ Flanged Axles -
1972-1975 CJ5, 1972-1975 CJ6, 1986 CJ7,
1987-2014 Wrangler, 1986-1993 Cherokee



[23] 16582.03



[22] 16582.01



[27] 16595.96



[26] DMC-16597.44



[16] 16530.12



[21] 16580.02



[14] 16521.08

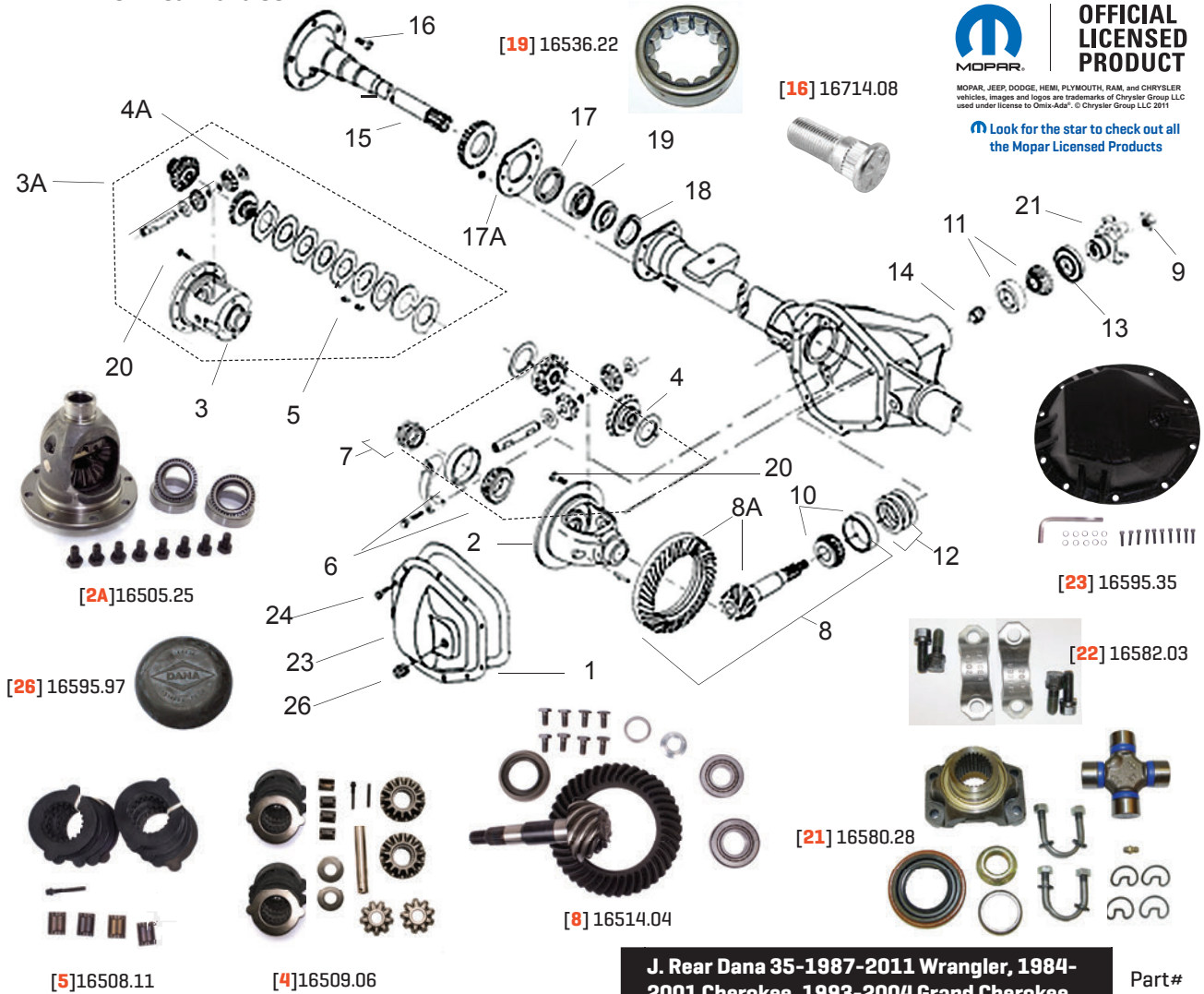


[25] 16595.44

I. Rear Dana-44 with Flanged Axles (Cont.)		Part#
13	1972-1975 CJ5, 1972-1975 CJ6, 1986 CJ7, 1987-2006 Wrangler, 1986-1993 Cherokee, 1993-1998 Grand Cherokee, Outer Pinion Oil Slinger [Rear Dana 44]	16512.52
13	2007-2014 Wrangler, Collapsible Pinion Spacer [Rear Dana 44]	16512.67
14	1972-1975 CJ5, 1972-1975 CJ6, 1986 CJ7, 1987-1990 Wrangler, 1986-1993 Cherokee, 1993-1998 Grand Cherokee, Pinion Oil Seal [Rear Dana 44]	16521.01
14	1972-1975 CJ5, 1972-1975 CJ6, 1986 CJ7, 1987-1990 Wrangler, 1986-1993 Cherokee, 1993-1998 Grand Cherokee, Pinion Oil Seal [Rear Dana 44], National Brand	16521.02
14	1991-2000 Wrangler, 1986-1993 Cherokee, 1993-1998 Grand Cherokee, Pinion Oil Seal [Rear Dana 44]	16521.08
14	2001-2014 Wrangler, Pinion Oil Seal [Rear Dana 44], Flanged	16521.12
15	1972-1975 CJ5, 1972-1975 CJ6, 1986 CJ7, 1986-1993 Cherokee, 1987-2014 Wrangler, 1993-2004 Grand Cherokee, Ring Gear Bolt [Rear Dana 44]	16522.01
15A	1972-1986 CJ, 1987-2010 Wrangler, 1986-1993 Cherokee, 1993-2004 Grand Cherokee, Differential Cover Bolt [Rear Dana 44]	16522.02
16	1972-1975 CJ5, 1972-1975 CJ6, Axle Shaft [Rear Dana 44] LH or RH	16530.07
16	1972-1975 CJ5, 1972-1975 CJ6, Axle Shaft Kit [Rear Dana 44] LH or RH [Does one Side], Includes: 1 Shaft, Bearing & Seals	16530.08
16	1997-2006 Wrangler, Axle Shaft [Rear Dana 44], LH Without ABS	21107
16	Alloy USA UPGRADE	
16	1997-2006 Wrangler, Axle Shaft [Rear Dana 44], RH Without ABS	21106
16	Alloy USA UPGRADE	
16	2007-2014 Wrangler, Axle Shaft [Rear Dana 44], LH or RH	21204C
16	Alloy USA UPGRADE	
16	2007-2014 Wrangler, Axle Shaft [Rear Dana 44], LH	21205C
16	Alloy USA UPGRADE	
16	2007-2014 Wrangler, Axle Shaft [Rear Dana 44], RH	21206C
16	Alloy USA UPGRADE	
16	1994-1998 Grand Cherokee, Axle Shaft [Rear Dana 44], RH	21124
16	USA UPGRADE	
16	1994-1998 Grand Cherokee, Axle Shaft [Rear Dana 44], LH	21125
16	USA UPGRADE	
16	2003-2006 Wrangler, Axle Shaft [Rear Dana 44], LH With ABS & Rear Drums	21143
16	Alloy USA UPGRADE	
16	2003-2006 Wrangler, Axle Shaft [Rear Dana 44], RH With ABS & Rear Drums	21142
16	Alloy USA UPGRADE	
16	2003-2006 Wrangler, Axle Shaft [Rear Dana 44], LH With ABS & Rear Disc	21145
16	Alloy USA UPGRADE	
16	2003-2006 Wrangler, Axle Shaft [Rear Dana 44], RH With ABS & Rear Disc	21144
16	Alloy USA UPGRADE	
16A	1994-1998 Grand Cherokee, Axle Shaft Kit [Rear Dana 44]	12202
16A	Alloy USA UPGRADE	
16A	1997-2006 Wrangler, Axle Shaft Kit [Rear Dana 44], No ABS	12135
16A	Alloy USA UPGRADE	
16A	1997-2006 Wrangler, Axle Shaft Kit [Rear Dana 44], No ABS	12235
16A	Alloy USA UPGRADE	
16A	1997-2006 Wrangler, Axle Shaft Kit [Rear Dana 44]	12136
16A	Alloy USA UPGRADE	
16A	1997-2006 Wrangler, Axle Shaft Kit & ARB Locker [Rear Dana 44]	12136-ARB
16A	Alloy USA UPGRADE	
16A	1997-2006 Wrangler, Axle Shaft Kit & Detroit Locker [Rear Dana 44]	12136-DET
16A	Alloy USA UPGRADE	
16A	1997-2006 Wrangler, Axle Shaft Kit [Rear Dana 44]	12137
16A	Alloy USA UPGRADE	

I. Rear Dana-44 with Flanged Axles (Cont.)		Part#
16A	1997-2006 Wrangler, Axle Shaft Kit ARB Locker [Rear Dana 44]	12137-ARB
16A	Alloy USA UPGRADE	
16A	2007-2014 Wrangler, Axle Shaft Kit [Rear Dana44], 30-Spline	12156
16A	Alloy USA UPGRADE	
16A	2007-2014 Wrangler, Axle Shaft Kit [Rear Dana44], 32-Spline	12158
16A	Alloy USA UPGRADE	
17	1972-1975 CJ, 1986 CJ7, 1987-2006 Wrangler, 1986-1993 Cherokee, Outer Axle Oil Seal [Rear Dana 44]	16534.02
17	2003-2006 Wrangler, Inner Axle Seal [Front Dana 44] NEW	16534.15
17	2007-2014 Wrangler, Outer Axle Oil Seal [Rear Dana 44]	16534.14
18	1972-1975 CJ5, 1972-1975 CJ6, Inner Axle Oil Seal [Rear Dana 44]	16535.02
18A	1987-1995 Wrangler, Axle Shaft Retainer Plate [Rear Dana 44]	16536.38
19	1972-1975 CJ, 1986 CJ7, 1987-2011 Wrangler, 1986-1993 Cherokee, Axle Shaft Bearing & Cup with Retainer [Rear Dana 44]	16536.05
21	1948-1969 CJ, 1972-1986 CJ, 1987-95 Wrangler, 1984-1991 Cherokee, Front Dana 30 Rear Dana 44 Axle, Dana 20/300 Transfer Case, Yoke 26 Spline [u-bolt style]	16580.02
21	1987-2014 Wrangler, 1984-2001 Cherokee, 1993-1998 Grand Cherokee, 2002-2007 Liberty, Dana 30 Rear Dana 44 [97 Wrangler only], Strap & Bolt Style Yoke [26 Spline]	16580.07
21	1998-2006 Wrangler, Rear Dana 44, Yoke [26 Spline] [Strap & Bolt Design]	16580.15
22	1941-1969 CJ, 1972-1986 CJ, 1987-2014 Wrangler, 1984-2001 Cherokee, 1993-1998 Grand Cherokee, 2002-2007 Liberty, Dana 25/2730/44, AMC 20 Axle, Dana 20/300 & Quadtrac Transfer Case, U-bolt kit for Yoke part number 16580.02 Pair	16582.01
22	1941-1969 CJ, 1972-1986 CJ, 1987-2014 Wrangler, 1984-2001 Cherokee, 1993-1998 Grand Cherokee, 2002-2007 Liberty, Dana 25/2730/44, AMC 20 Axle, Dana 20/300 & Quadtrac Transfer Case, U-bolt kit for Yoke part number 16580.02 Pair [Spicer Br&]	16582.02
23	1981-1986 CJ, 1987-2014 Wrangler, 1981-2001 Cherokee, 1993-1998 Grand Cherokee, 2002-2007 Liberty, Front Dana 30, Rear Dana 35/44, AMC 20 Axle, Dana 300 Transfer Case, U-Bolt Kit for Yoke 16580.03	16582.03
24	1972-1983 CJ5, 1972-1975 CJ6, 1986 CJ7, 1987-2011 Wrangler, 1993-1998 Grand Cherokee, Differential Cover Kit [Rear Dana 44], Includes: Cover, Gasket & Bolts	16595.83
24	2002-2006 Wrangler, Differential Cover Kit [Rear Dana 44], With Air Locker, Includes: Cover, Gasket & Bolts	16595.85
24	1972-1983 CJ5, 1972-1975 CJ6, 1986 CJ7, 1987-2011 Wrangler, 1993-1998 Grand Cherokee, Differential Cover [Rear Dana 44]	16595.86
24	1972-1983 CJ5, 1972-1975 CJ6, 1986 CJ7, 1987-2011 Wrangler, 1993-1998 Grand Cherokee, Differential Cover Kit [Rear Dana 44], Heavy Duty, Cast Steel	16595.44
24	1972-1983 CJ5, 1972-1975 CJ6, 1986 CJ7, 1987-2011 Wrangler, 1993-1998 Grand Cherokee, Differential Skid Plate [Rear Dana 44], Heavy Duty, Cast Steel	16597.44
26	1993-1998 Grand Cherokee, Differential Skid Plate [Rear Dana 44], Heavy Duty, Cast Steel	16597.44
26	Differential Skid Plate, Heavy Duty, Jeep Logo, Dana 44,	DMC-16597.44
27	2002-2006 Wrangler, Differential Cover Drain Plug [Rear Dana 44], With Air Locker	16595.96
27	1987-1995 Wrangler, Differential Side Gear Set [Rear Dana 44]	16507.42
27	1987-1995 Wrangler, Differential Cross Shaft [Rear Dana 44]	16507.60
27	2007-2014 Wrangler, Ring & Pinion Kit [Rear Dana 44], 4.10 Ratio	16513.52

Axle - Rear Dana 35



OFFICIAL LICENSED PRODUCT

MOPAR, JEEP, DODGE, HEMI, PLYMOUTH, RAM, and CHRYSLER vehicles, images and logos are trademarks of Chrysler Group LLC used under license to Omnicast. © Chrysler Group LLC 2011

Look for the star to check out all the Mopar Licensed Products

J. Rear Dana 35-1987-2011 Wrangler, 1984-2001 Cherokee, 1993-2004 Grand Cherokee

	Part#	
1	RTV Silicon [3 oz]	19201.01
1	1987-2011 Wrangler, 1984-2001 Cherokee, 1993-2004 Grand Cherokee, Dana 35, Differential Cover Gasket	16502.04
1A	1984-2006 Wrangler & Cherokee, Differential Master Overhaul Kit [Rear Dana 35] Alloy USA UPGRADE	352049
1A	1991-2004 Grand Cherokee [Rear Dana 35] Alloy USA UPGRADE	352061
2	1987-1993 Wrangler, Dana 35, Standard Differential Case 2.73-3.31 Ratio [Except 1993 BOM 605528]	16503.40
2	1993 Wrangler [with BOM 605528], 1994-2006 Wrangler, 1993-2001 Cherokee, 1993-1998 Grand Cherokee, Dana 35, Standard Differential Case 2.73-3.31 Ratio	16503.41
2	1993 Wrangler [with BOM 605528], 1994-2006 Wrangler, 1993-2001 Cherokee, 1993-1998 Grand Cherokee, Dana 35, Standard Differential Case 3.55-4.56 Ratio	16503.44
2	2001-2002 Wrangler, Dana 35, Standard Differential Case 3.07 Ratio	16503.66
2A	1987-1995 Wrangler, 1984-2000 Cherokee, 1993-2004 Grand Cherokee, Dana 35, Standard Differential Kit 2.73-307 Ratio	16505.23
2A	2001-2002 Wrangler, 2001 Cherokee, Dana 35, Standard Differential Kit 3.07 Ratio	16505.11
2A	1987-1993 Wrangler, 1987-1993 Cherokee, Dana 35, Standard Differential Kit 3.31-4.56 Ratio	16505.20
2A	1992-1994 Cherokee, Dana 35, Standard Differential Kit 3.55-4.56 Ratio [Spicer]	16505.21
2A	1994-2006 Wrangler, 1994-2001 Cherokee, 1994-1998 Grand Cherokee, Dana 35, Standard Differential Kit 3.55-4.56 Ratio	16505.24
2A	1993-2004 Grand Cherokee, Dana 35, Standard Differential Kit 3.55-3.73 Ratio	16505.25

J. Rear Dana 35-1987-2011 Wrangler, 1984-2001 Cherokee, 1993-2004 Grand Cherokee

	Part#	
2A	2001-2002 Wrangler with 4.11/4.56 and without Trac Loc, 2001 Cherokee with 3.55 and Trac Loc, Dana 35, Standard Differential Kit	16505.19
2A	2001-2002 Wrangler, Dana 35, Standard Differential Kit 3.73 Ratio with Trac Loc	16505.17
3	1987-2000 Wrangler, Dana 35, Trac-Loc Case Only 3.55-4.56 Ratio [will not fit 1992-1993 Wrangler]	16503.48
3	2001-2002 Wrangler with 3.73-4.56 Ratio, 2001 Cherokee with 4.55 Ratio, Dana 35, Trac-Loc Case Only	16503.63
3A	1987-2000 Wrangler, Dana 35, Trac-Loc Case Assembly with Gear Kit 2.73-3.31 ratio [will not fit 1992-1993 Wrangler]	16505.29
3A	1987-2000 Wrangler, Dana 35, Trac-Loc Case Assembly with Gear Kit 3.55-4.56 ratio [will not fit 1992-1993 Wrangler]	16505.30
3A	1999-2004 Grand Cherokee, Dana 35, Trac-Loc Case Assembly Kit	16505.31
3A	2001-2002 Wrangler, 2001 Cherokee, Dana 35, Trac-Loc Case Assembly Kit 3.07 Ratio	16503.51
4	1987-1993 Wrangler, Dana 35, Standard Differential Spider Gear Kit [Not for 1993 with BOM 605528]	16507.30
4	1993 Wrangler with BOM 605528, 1994-2000 Wrangler, Dana 35, Standard Differential Kit	16507.31
4	1997-2002 Wrangler, Dana 35, Trac-Loc Differential Spider Gear Kit	16509.06
4A	1999-2003 Wrangler, Dana 35, Differential Pinion Thrust Washer	16584.06
5	1987-2006 Wrangler, Dana 35, Trac-Loc Differential Spider Gear Kit with Disc Kit	16507.32
5	1990-2002 Wrangler, Dana 35, Trac-Loc Differential Disc Kit	16508.11
6	1987-2011 Wrangler, 1984-2001 Cherokee, 1993-2004 Grand Cherokee, Dana 35, Differential Case Bearing and Cup Kit [2 Bearings and 2 Cups]	16509.05
7	1987-2011 Wrangler, 1984-2001 Cherokee, 1993-2004 Grand Cherokee, Dana 35, Differential Side Shim Kit	16511.10
7	1999-2004 Grand Cherokee, Differential Shim Kit [Dana 35] NEW	16533.21
8	1987-2006 Wrangler, 1987-2001 Cherokee, DANA 35, Ring and Pinion Kit 3.07 Ratio [43x14 Teeth] [Bearings, Cups, Shims, Seals, Hardware]	16514.01



J. Rear Dana 35-1987-2011 Wrangler, 1984-2001 Cherokee, 1993-2004 Grand Cherokee		Part#
8	1987-1993 Wrangler, Ring and Pinion Kit 3.55 Ratio (39x11 Teeth) [Bearings, Cups, Shims, Seals, Hardware]	16514.02
	1994-2006 Wrangler, 1994-2001 Cherokee, 1994-1998 Grand Cherokee, Ring and Pinion Kit 3.55 Ratio (39x11 Teeth) [Bearings, Cups, Shims, Seals, Hardware]	16514.03
8	1994-2006 Wrangler, 1994-2001 Cherokee, 1994-1998 Grand Cherokee, Ring and Pinion Kit 3.73 Ratio [Bearings, Cups, Shims, Seals, Hardware]	16514.04
8	1997-2001 Wrangler, Ring and Pinion Kit 4.11 Ratio (37x9 Teeth) [Bearings, Cups, Shims, Seals, Hardware]	16514.05
8	2000-2001 Wrangler, Ring and Pinion Kit 4.56 Ratio (41x9 Teeth) [Bearings, Cups, Shims, Seals, Hardware]	16514.06
8	2002 Wrangler, Ring and Pinion Kit 4.56 Ratio (41x9 Teeth) [Bearings, Cups, Shims, Seals, Hardware]	16514.37
8A	2001-2002 Wrangler, 2001 Cherokee, Dana 35, Ring and Pinion Kit 3.07 Ratio	16514.52
8A	1999-2004 Grand Cherokee, Dana 35, Ring and Pinion Set 3.55 Ratio	16514.08
8A	2001 Cherokee Standard, 1999-2004 Grand Cherokee with Trac-Loc, Dana 35, Ring and Pinion Set 3.55 Ratio	16514.46
8A	1999-2003 Grand Cherokee with Trac-Loc, Dana 35, Ring and Pinion Only 3.73 Ratio	16514.48
8A	1999-2004 Grand Cherokee, Dana 35, Ring and Pinion Set 3.73 Ratio	16514.09
8A	1987-2006 Wrangler, 1984-2001 Cherokee, Ring & Pinion Gear Set (Rear Dana 35), 3.73 Ratio Alloy USA UPGRADE	035373
8A	1987-2006 Wrangler, 1984-2001 Cherokee, Ring & Pinion Gear Set (Rear Dana 35), 4.10 Ratio Alloy USA UPGRADE	035410
8A	1987-2006 Wrangler, 1984-2001 Cherokee, Ring & Pinion Gear Set (Rear Dana 35), 4.56 Ratio Alloy USA UPGRADE	035456
8A	1987-2006 Wrangler, 1984-2001 Cherokee, Ring & Pinion Gear Set (Rear Dana 35), 4.88 Ratio Alloy USA UPGRADE	035488
9	1976-1986 CJ, 1987-2011 Wrangler, 1984-2001 Cherokee, 1993-2004 Grand Cherokee, Dana 35/Rear AMC-20, Pinion Nut	16584.03
10	1987-2011 Wrangler, 1984-2001 Cherokee, 1993-2004 Grand Cherokee, Dana 35, Inner Pinion Bearing and Cup Kit	16515.15
11	1997-2010 Wrangler, 1992-2001 Cherokee, 1993-2004 Grand Cherokee 2002-2007 Liberty, Dana 30/Super 30 Rear Dana 35, Outer Pinion Bearing (1 Bearing and 1 Cup)	16517.02
11	1999-2002 Wrangler, Dana 35, Pinion Thrust Washer	16584.07
12	1987-2006 Wrangler, 1984-2001 Cherokee, 1993-2004 Grand Cherokee, Dana 35, Pinion Shim Set	16519.10
12	2003-2011 Wrangler, 1999-2004 Grand Cherokee Dana 35/44, Pinion Shim Kit (0.035-0.039)	16519.02
12	2003-2011 Wrangler, 1999-2004 Grand Cherokee Dana 35/44, Pinion Shim Kit (0.040-0.044)	16519.03
12	2003-2011 Wrangler, 1999-2004 Grand Cherokee Dana 35/44, Pinion Shim Kit (0.045-0.049)	16519.04
12	2003-2011 Wrangler, 1999-2004 Grand Cherokee Dana 35/44, Pinion Shim Kit (0.050-0.054)	16519.05
13	1987-2006 Wrangler, Dana 35, Inner Pinion Oil Seal	16521.10
13	1999-2001 Cherokee, 199-2003 Grand Cherokee, Dana 35, Inner Pinion Oil Seal	16521.16
13	1999-2001 Cherokee, 199-2003 Grand Cherokee, Dana 35, Outer Pinion Oil Seal	16521.13
14	1987-1995 Wrangler, 1984-2001 Cherokee, 1993-1998 Grand Cherokee, 2003-2004 Grand Cherokee with 3.55 Ratio, Dana 35, Collapsible Pinion Spacer	16512.59
14	2007-2011 Wrangler, Rear Dana 35/44, Collapsible Pinion Spacer	16512.67
14	1999-2002 Grand Cherokee with 3.55 Ratio, 1999-2004 Grand Cherokee, Dana 35, Collapsible Pinion Spacer	16512.64
15	1987-1989 Wrangler, 1984-1989 Cherokee, Dana 35, LH, w/o ABS Alloy USA UPGRADE	21137
15	1987-1989 Wrangler, 1984-1989 Cherokee, Dana 35, RH, w/o ABS Alloy USA UPGRADE	21136
15	1990-1992 Wrangler, 1990-1991 Cherokee, Dana 35, RH, w/ ABS Alloy USA UPGRADE	21138
15	1990-1992 Wrangler, 1990-1991 Cherokee, Dana 35, LH, w/ ABS Alloy USA UPGRADE	21139
15	1990-1995 Wrangler, 1992-2001 Cherokee, Dana 35, RH, w/o ABS Alloy USA UPGRADE	21120
15	1990-1995 Wrangler, 1992-2001 Cherokee, Dana 35, LH, w/o ABS Alloy USA UPGRADE	21121

J. Rear Dana 35-1987-2011 Wrangler, 1984-2001 Cherokee, 1993-2004 Grand Cherokee (Cont.)		Part#
15	1993-1995 & 1997-2002 Wrangler, 1992-2001 Cherokee, Dana 35, RH, w/o ABS & Drum Alloy USA UPGRADE	21140
15	1993-1995 & 1997-2002 Wrangler, 1992-2001 Cherokee, Dana 35, LH, w/o ABS & Drum Alloy USA UPGRADE	21141
15	2003-2006 Wrangler, Dana 35, RH, w/ ABS & Drum Alloy USA UPGRADE	21148
15	2003-2006 Wrangler, Dana 35, LH, w/ ABS & Drum Alloy USA UPGRADE	21149
15	2003-2006 Wrangler, Dana 35, RH, w/ ABS & Rear Disc Alloy USA UPGRADE	21150
15	2003-2006 Wrangler, Dana 35, LH, w/ ABS & Rear Disc Alloy USA UPGRADE	21151
	1991-2000 Wrangler, Dana 35, C-Clip	16533.20
16	1987-2006 Wrangler, 1984-2001 Cherokee, Rear Drum Brakes, Wheel Stud	16714.08
16	1987-2006 Wrangler, 1984-2001 Cherokee, Disc Brakes, Wheel Stud	16714.09
17	1987-1989 Wrangler, 1984-1986 Cherokee, Dana 35, Outer Axle Oil Seal	16534.10
17	1990-2000 Wrangler, 1990-2000 Cherokee, 1993-2000 Grand Cherokee, Dana 35, Outer Axle Oil Seal [each]	16534.11
17	2007-2011 Wrangler, Dana 35, Outer Axle Oil Seal [each]	16534.14
17A	1987-1989 Wrangler, 1984-1989 Cherokee, Dana 35, Retainer	16536.20
	1993-2004 Grand Cherokee, Dana 35, Retainer	16536.39
18	1987-1989 Wrangler, 1984-1989 Cherokee, Dana 35, Inner Axle Oil Seal	16535.10
19	1987-1989 Wrangler, 1984-1989 Cherokee, Dana 35, Bearing Cup and Retainer [each Side]	16536.21
19	1990-2006 Wrangler, 1990-2001 Cherokee, 1993-2004 Grand Cherokee, Dana 35, Wheel Bearing [each side]	16536.22
20	1948-69 CJ, 1972-1986 CJ, 1984-2001 XJ Cherokee, 1993-2004 Grand Cherokee, 2002-2007 Liberty, 1987-2010 Wrangler Rear Dana 44 with Flanged Axle, Front Dana 30 Rear Dana 35/44 Ring gear bolt	16522.01
20	1948-69 CJ, 1972-1986 CJ, 1984-2001 XJ Cherokee, 1993-2004 Grand Cherokee, 2002-2007 Liberty, 1987-2010 Wrangler Rear Dana 44 with Flanged Axle, Front Dana 30 Rear Dana 35/44 Ring Gear Bolt Set	16521.81
20	1972-1986 CJ, 1987-2010 Wrangler, 1984-01 Cherokee, 1993-2004 Grand Cherokee, Dana 30/35/44 AMC 20	16522.02
21	1987-1993 Wrangler, 1997 Wrangler, Dana 35, Yoke [Strap and Bolt Design]	16580.20
21	1994-1995 Wrangler, Dana 35, Yoke [use with 3 5/8 inch U-Joints]	16580.21
21	1987-1993 Wrangler, 1997-2002 Wrangler, Dana 35, U-Bolt Design Yoke Kit	16580.23
21	1987-1993 Wrangler, 1997-2002 Wrangler, 1984-1995 Cherokee, Dana 35, Yoke Kit	16580.28
22	1981-1986 CJ, 1987-2010 Wrangler, 1981-2001 Cherokee, 1993-1998 Grand Cherokee, 2002-2007 Liberty, Front Dana 30, Rear Dana 35/44, AMC 20 Axle, Dana 300 Transfer Case, U-Bolt Kit for Yoke 16580.03	16582.03
22	1990-2006 Wrangler, 1990-2001 Cherokee, 1993-2004 Grand Cherokee, Dana 35, Cross Shaft Locking Bolt	16507.33
23	1984-2007 Jeep Models [Rear Dana 35], Heavy Duty 5/16 inch Stamped Steel Differential Cover Alloy USA UPGRADE	11201
23	1987-2011 Wrangler, 1984-2001 Cherokee, 1993-2004 Grand Cherokee, Dana 35, Heavy Duty 3/8 inch Thick Cast Steel Differential Cover [with Hardware]	16595.35
23	Heavy Duty Differential Cover For Dana 35	DMC-16595.35
24	1972-1986 CJ, 1987-2010 Wrangler, 1987-01 Cherokee, 1993-2004 Grand Cherokee, Dana 30/35/44 AMC 20, Differential Bolt Cover	16522.02
25	1987-2011 Wrangler, 1984-2001 Cherokee, 1993-2004 Grand Cherokee, Dana 35, Heavy Duty 3/8 inch Thick Cast Steel Differential Skid Plate [with Hardware]	16597.35
26	1987-2011 Wrangler, 1984-2001 Cherokee, 1993-2004 Grand Cherokee, Dana 35, Differential Cover Plug	16595.97



AMC 20:
Narrow Track: 1976-1983 CJ5,
1976-1981 CJ7, 1981 CJ8
Quadratrac: 1976-1979 CJ7
Wide Track: 1982-1986 CJ7
1982-1986 CJ8



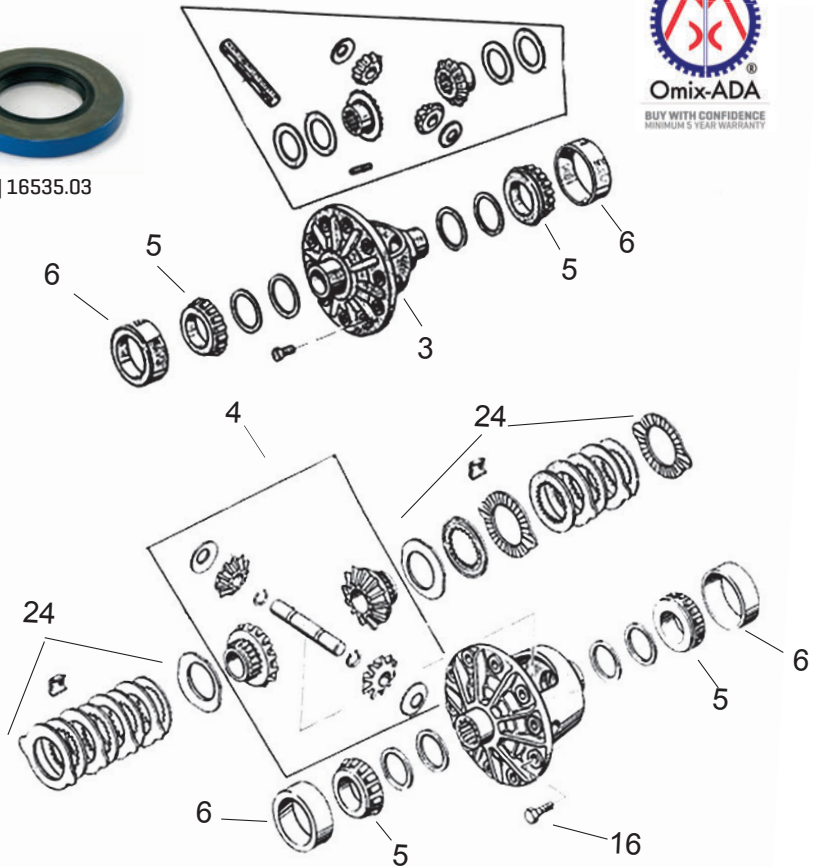
[K] 16535.03



[K] 16530.22



[K1] 16501.05



K. Rear AMC Model-20 (1 Pc Axles)

Part#

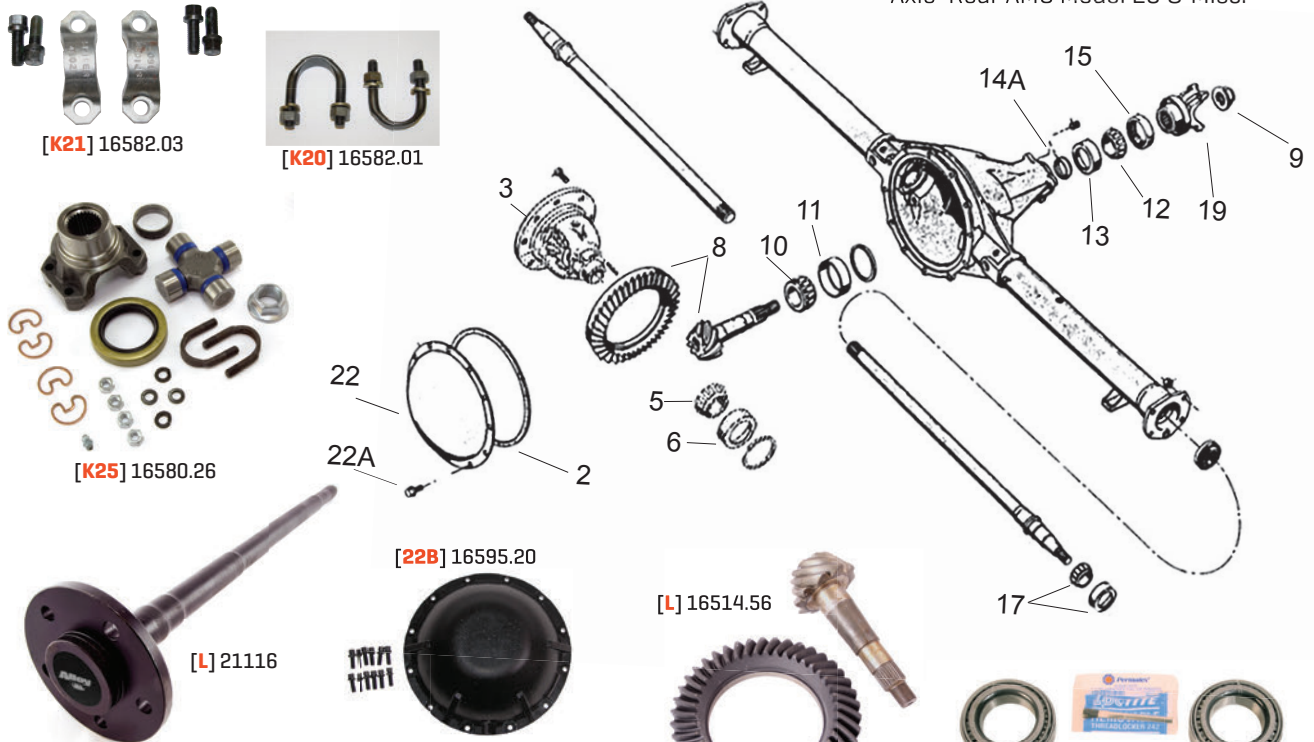
1976-1983 CJ5, 1976-1981 CJ7, 1981 CJ8, One Piece Axle Conversion Kit [AMC 20 Narrow Track]. Includes: Axles, Bearings, Retainers, Spacers, Inner and Outer Seals, Studs Alloy USA UPGRADE	12125
1982-1986 CJ7, 1982-1986 CJ8, One Piece Axle Conversion Kit [AMC 20 Wide Track]. Includes: Axles, Bearings, Retainers, Spacers, Inner and Outer Seals, Studs Alloy USA UPGRADE	12126
1976-1979 CJ7, One Piece Axle Conversion Kit [AMC 20 Quadratrac]. Includes: Axles, Bearings, Retainers, Spacers, Inner and Outer Seals, Studs Alloy USA UPGRADE	12127
1976-1983 CJ5, 1976-1981 CJ7, 1981 CJ8, One Piece Axle Kit [AMC 20 Narrow Track], Left. Includes: LH Axle, Bearings, Retainers, Spacers, Inner and Outer Seals, Studs	16530.37
1976-1983 CJ5, 1976-1981 CJ7, 1981 CJ8, One Piece Axle Kit [AMC 20 Narrow Track], Right. Includes: RH Axle, Bearings, Retainers, Spacers, Inner and Outer Seals, Studs	16530.38
1976-1979 CJ7, One Piece Axle Kit [AMC 20 Quadratrac], Left. Includes: LH Axle, Bearings, Retainers, Spacers, Inner and Outer Seals, Studs	16530.39
1976-1979 CJ7, One Piece Axle Kit [AMC 20 Quadratrac], Right. Includes: RH Axle, Bearings, Retainers, Spacers, Inner and Outer Seals, Studs	16530.40
1976-1983 CJ5, 1976-1986 CJ7, 1981-1986 CJ8, Once Piece Axle Conversion Bearing & Hardware Kit [AMC 20], Does Both Sides	16536.06
1976-1983 CJ5, 1976-1986 CJ7, 1981-1986 CJ8, Once Piece Axle Conversion Bearing & Hardware Kit [AMC 20], Does One Side, LH or RH	16536.07
1976-1983 CJ5, 1976-1986 CJ7, 1981-1986 CJ8, Once Piece Axle Conversion Axle Bearing [AMC 20], LH or RH	16536.08
1976-1983 CJ5, 1976-1986 CJ7, 1981-1986 CJ8, Once Piece Axle Conversion Axle Bearing Retainer [AMC 20], LH or RH	16536.09
1976-1986 CJ, AMC-20, Once Piece Axle Conversion Axle Bearing Spacer [AMC 20], LH or RH	16536.10
1976-1983 CJ5, 1976-1986 CJ7, 1981-1986 CJ8, Once Piece Axle Conversion Inner Axle Oil Seal [AMC 20] LH or RH	16535.03
1976-1986 CJ, AMC-20, Once Piece Axle Conversion Spare Outer Axle Oil Seal [AMC 20], Each	16534.03
1976-1983 CJ5, 1976-1986 CJ7, 1981-1986 CJ8, Once Piece Axle Conversion Sealed Wheel Bearing Kit [AMC 20]	16560.59
1976-1983 CJ5, 1976-1981 CJ7, 1981 CJ8, Axle Shaft [AMC 20 Narrow Track], LH [26.25"]	16530.25

K. Rear AMC Model-20

Part#

1972-1986 Jeep CJ Models, AMC20 Differential Master Overhaul Kit Alloy USA UPGRADE	352025
1976-1983 CJ5, 1976-1986 CJ7, 1981-1986 CJ8, Differential Cover Gasket [AMC 20]	16502.03
1976-1983 CJ5, 1976-1986 CJ7, 1981-1986 CJ8, Standard Differential Case [AMC 20], [Except 2.73 Ratio]	16503.31
1976-1983 CJ5, 1976-1986 CJ7, 1981-1986 CJ8, Spider Gear Kit With Trac-Loc [AMC 20]	16507.23
1976-1983 CJ5, 1976-1986 CJ7, 1981-1986 CJ8, Differential Side Bearing [AMC 20], [2 Required]	16509.25
1976-1983 CJ5, 1976-1986 CJ7, 1981-1986 CJ8, Differential Side Cup [AMC 20] [2 Required]	16509.26
1976-1983 CJ5, 1976-1986 CJ7, 1981-1986 CJ8, Ring & Pinion [AMC 20], 3.31 Ratio [43x13 Teeth]	16513.81
1976-1983 CJ5, 1976-1986 CJ7, 1981-1986 CJ8, Ring & Pinion [AMC 20], 3.54 Ratio [39x11 Teeth]	16513.82
1976-1983 CJ5, 1976-1986 CJ7, 1981-1986 CJ8, Ring & Pinion Gear Set [AMC 20], 3.73 Ratio Alloy USA UPGRADE	AMC373
1976-1983 CJ5, 1976-1986 CJ7, 1981-1986 CJ8, Ring & Pinion Gear Set [AMC 20], 4.10 Ratio Alloy USA UPGRADE	AMC410
1976-1983 CJ5, 1976-1986 CJ7, 1981-1986 CJ8, Ring & Pinion Gear Set [AMC 20], 4.56 Ratio Alloy USA UPGRADE	AMC456
1976-1983 CJ5, 1976-1986 CJ7, 1981-1986 CJ8, Ring & Pinion Gear Set [AMC 20], 4.88 Ratio Alloy USA UPGRADE	AMC488
1976-1983 CJ5, 1976-1986 CJ7, 1981-1986 CJ8, Pinion Nut [AMC 20]	16584.03
1976-1983 CJ5, 1976-1986 CJ7, 1981-1986 CJ8, Inner Pinion Bearing [AMC 20]	16515.20
1976-1983 CJ5, 1976-1986 CJ7, 1981-1986 CJ8, Inner Pinion Cup [AMC 20]	16515.21
1976-1983 CJ5, 1976-1986 CJ7, 1981-1986 CJ8, Outer Pinion Bearing [AMC 20]	16517.20
1976-1983 CJ5, 1976-1986 CJ7, 1981-1986 CJ8, Outer Pinion Cup [AMC 20]	16517.21
1976-1983 CJ5, 1976-1986 CJ7, 1981-1986 CJ8, Collapsible Pinion Spacer [AMC 20]	16512.60
1976-1983 CJ5, 1976-1986 CJ7, 1981-1986 CJ8, Pinion Oil Seal [AMC 20]	16521.07
1976-1983 CJ5, 1976-1986 CJ7, 1981-1986 CJ8, Axle Shaft Bearing & Cup [AMC 20], With Retainer	16536.15
1976-1983 CJ5, 1976-1986 CJ7, 1981-1986 CJ8, Wheel Stud [AMC 20], Right Hand Thread, Each	16714.06

Axle-Rear AMC Model 20 & Misc.



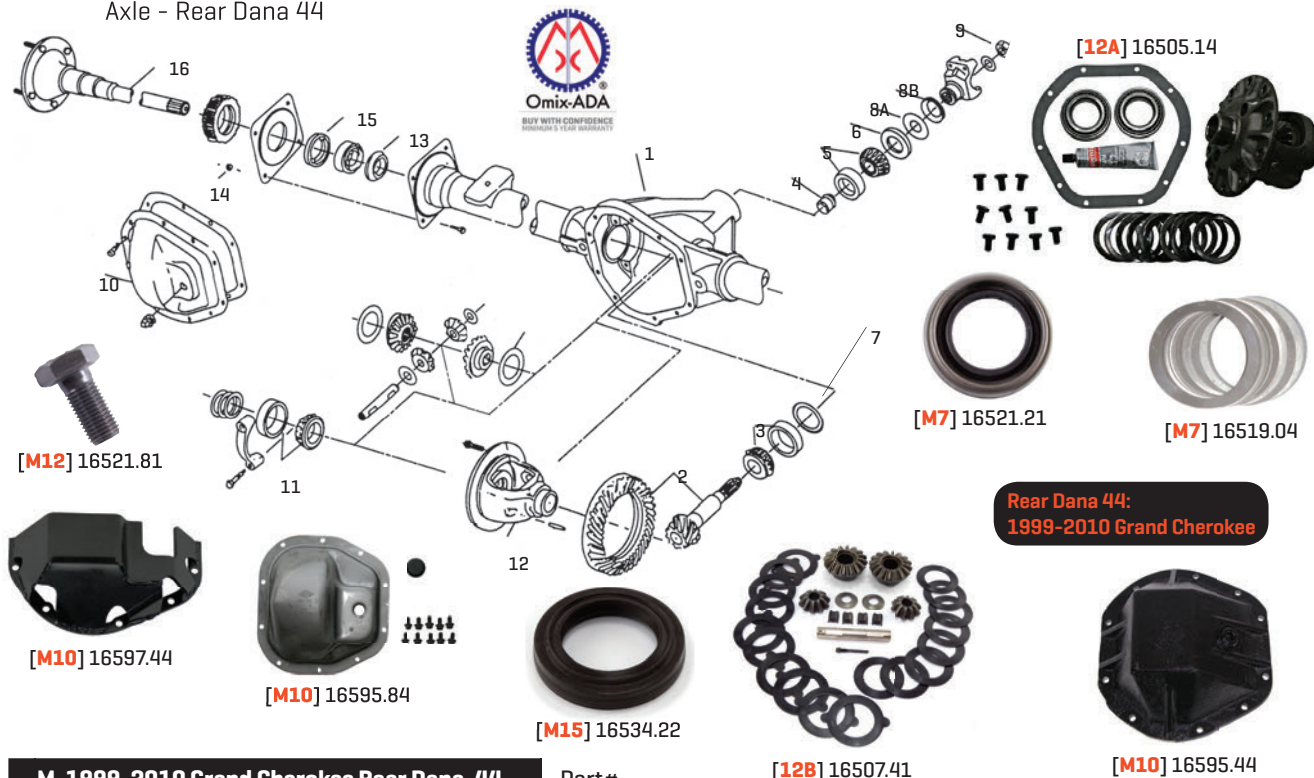
K. Rear AMC Model-20		Part#
19	1976-1983 CJ5, 1976-1986 CJ7, 1981-1986 CJ8, Yoke U-Bolt Design [AMC 20]	16580.05
19	1976-1983 CJ5, 1976-1986 CJ7, 1981-1986 CJ8, Yoke Strap & Bolt Design [AMC 20]	16580.16
20	1976-1983 CJ5, 1976-1986 CJ7, 1981-1986 CJ8, Yoke U-Bolt [AMC 20], Pair	16582.01
21	1976-1983 CJ5, 1976-1986 CJ7, 1981-1986 CJ8, Yoke U-Bolt [AMC 20], Pair, Dana Spicer Brand	16582.02
21	1976-1983 CJ5, 1976-1986 CJ7, 1981-1986 CJ8, Yoke Strap & Bolt Kit [AMC 20]	16582.03
22	1976-1983 CJ5, 1976-1986 CJ7, 1981-1986 CJ8, Differential Cover Kit [AMC 20], Stainless Steel	11118.04
22B	1976-1983 CJ5, 1976-1986 CJ7, 1981-1986 CJ8, Heavy Duty Differential Cover 3/8" Thick Cast Steel with Hardware	16595.20
22A	1976-1983 CJ5, 1976-1986 CJ7, 1981-1986 CJ8, Differential Cover Bolt [AMC 20]	16522.02
23	1976-1986 CJ, Rear AMC-20, Axle Housing Spring Pad [AMC 20], Pair	16527.40
24	1976-1983 CJ5, 1976-1986 CJ7, 1981-1986 CJ8, Trac-Loc Disk Kit [AMC 20]	16508.05
25	1976-1983 CJ5, 1976-1986 CJ7, 1981-1986 CJ8, Yoke Kit U-Bolt Design [AMC 20], Includes: Yoke & Spicer U-Joints	16580.26
	1976-1983 CJ5, 1976-1981 CJ7, 1981 CJ8, Axle Shaft Kit [AMC 20 Narrow Track], LH [26.25"], Includes: Axle, Hub, Bearing, Cup, Inner Seal Outer Seal, Nut, Washer, & Key	16530.27
	1976-1983 CJ5, 1976-1981 CJ7, 1981 CJ8, Axle Shaft [AMC 20 Narrow Track], RH [29.25"] Alloy USA UPGRADE	21130
	1976-1983 CJ5, 1976-1981 CJ7, 1981 CJ8, Axle Shaft [AMC 20 Narrow Track], RH [29.25"] Alloy USA UPGRADE	21131
	1976-1983 CJ5, 1976-1981 CJ7, 1981 CJ8, Axle Shaft Kit [AMC 20 Narrow Track], RH [29.25"], Includes: Axle, Hub, Bearing, Cup, Inner and Outer Seal, Nut, Washer & Key	16530.28
	1976-1981 CJ5, CJ7 & CJ8, Axle Shaft [AMC 20 Wide Track], LH [28.5"] Alloy USA UPGRADE	21100
	1982-1986 CJ7, 1982-1986 CJ8, Axle Shaft [AMC 20 Wide Track], LH [28.5"], Includes: Axle, Hub, Bearing, Cup, Inner and Outer Seal, Nut, Washer & Key	16530.31
	1976-1981 CJ5, CJ7 & CJ8, Axle Shaft [AMC 20 Wide Track], LH [28.5"] Alloy USA UPGRADE	21101
	1982-1986 CJ7, 1982-1986 CJ8, Axle Shaft [AMC 20 Wide Track], RH [31.5"], Includes: Axle, Hub, Bearing, Cup, Inner and Outer Seal, Nut, Washer & Key	16530.32
	1976-1979 CJ7, Axle Shaft [AMC 20 Quadratrax], LH [33.5"] Alloy USA UPGRADE	21133
	1976-1979 CJ7, Axle Shaft [AMC 20 Quadratrax], LH [33.5"], Includes: Axle, Hub, Bearing, Cup, Inner and Outer Seal, Nut, Washer & Key	16530.35
	1976-1979 CJ7, Axle Shaft [AMC 20 Quadratrax], RH [22"] Alloy USA UPGRADE	21132
	1976-1979 CJ7, Axle Shaft [AMC 20 Quadratrax], RH [22"], Includes: Axle, Hub, Bearing, Cup, Inner and Outer Seal, Nut, Washer & Key	16530.36

K. Rear AMC Model-20		Part#
	1976-1983 CJ5, 1976-1986 CJ7, 1981-1986 CJ8, Hub with Studs [AMC 20]	16537.02
	1976-1983 CJ5, 1976-1986 CJ7, 1981-1986 CJ8, Hub Kit [AMC 20], Includes: Hub, Bearing, Cup, Oil Seals, Nut, Washer & Key	16537.03
	1976-1986 CJ, Axle Bearing & Cup [AMC 20]	16536.15
	1976-1983 CJ5, 1976-1986 CJ7, 1981-1986 CJ8, Inner Axle Oil Seal [AMC 20]	16535.03
	1976-1983 CJ5, 1976-1986 CJ7, 1981-1986 CJ8, Outer Axle Oil Seal [AMC 20]	16534.03
	1976-1983 CJ5, 1976-1986 CJ7, 1981-1986 CJ8, Axle Nut, Washer, Key Kit [AMC 20], LH or RH	16533.04
	1976-1983 CJ5, 1976-1986 CJ7, 1981-1986 CJ8, Rear Axle Shim [AMC 20], [0.0003"]	16533.05
	1976-1983 CJ5, 1976-1986 CJ7, 1981-1986 CJ8, Rear Axle Shim [AMC 20], [0.0010"]	16533.06
	1976-1983 CJ5, 1976-1986 CJ7, 1981-1986 CJ8, Rear Axle Shim Kit [AMC 20], Includes: 1-0.0003", 1-0.0010"	16533.07
	1976-1983 CJ5, 1976-1986 CJ7, 1981-1986 CJ8, Outer Axle Dust Shield [AMC 20]	16533.08
	1976-1983 CJ5, 1976-1986 CJ7, 1981-1986 CJ8, Axle Hub Dust Cap [AMC 20], Metal	16533.09
	1976-1983 CJ5, 1976-1986 CJ7, 1981-1986 CJ8, Axle Hub Dust Cap [AMC 20], Plastic	16533.10

L. Miscellaneous Axle		Part#
	1968-1970 Jeep Pickup with Dana 44, J100, J2500, J2600 J3500 / Dana 60, Outer Axle Seal	16534.35
	1991-2001 Cherokee, Axle Rebuild Kit [Chrysler 8.25"]	16501.08
	1991-2001 Cherokee, Ring & Pinion, 3.55 Ratio [Chrysler 8.25"]	16514.56
	1991-2001 Cherokee, Ring & Pinion, 4.10 Ratio [Chrysler 8.25"]	16514.57
	1991-1996 Cherokee, Axle Shaft [Chrysler 8.25"], Rear LH or RH [27 Spline] Upgrade	21116
	1997-2001 Cherokee, Axle Shaft [Chrysler 8.25"], Rear LH or RH [29 Spline] Upgrade	21118

[L] 16501.07

Axle - Rear Dana 44



[M12] 16521.81

[M10] 16597.44

[M10] 16595.84

[M15] 16534.22

[12B] 16507.41

[M7] 16521.21

[M7] 16519.04

Rear Dana 44:
1999-2010 Grand Cherokee

[M10] 16595.44

M. 1999-2010 Grand Cherokee Rear Dana-44

Part#

1999-2000 Grand Cherokee (Before 3/29/00), Rear Dana 44, Differential Rebuild Kit with 3/8 inch Ring Gear Bolts	352062
Alloy USA UPGRADE	
1 2000-2004 Grand Cherokee, Rear Dana 44, Differential Rebuild Kit with 7/16 inch Ring Gear Bolts Alloy USA UPGRADE	352063
2 1996-1998 Grand Cherokee, Rear Dana 44, Ring and Pinion Only 3.55 Ratio	16514.20
2 1996-1998 Grand Cherokee, Rear Dana 44, Ring and Pinion Only 3.73 Ratio	16514.21
2 1999-2004 Grand Cherokee, Rear Dana 44, Ring and Pinion Only 3.37 Ratio with 3/8 inch Ring Gear Bolts	16514.25
2 1999-2004 Grand Cherokee, Rear Dana 44, Ring and Pinion Only 3.91 Ratio with 3/8 inch Ring Gear Bolts	16514.26
2A 1999-3/29/2000 Grand Cherokee, Rear Dana 44, Ring and Pinion Kit 3.73 Ratio with 3/8 inch Ring Gear Bolts	16514.33
2A 1999-2004 Grand Cherokee, Rear Dana 44, Ring and Pinion Kit 3.55 Ratio with 7/16 inch Ring Gear Bolts	16514.34
2A 1999-2004 Grand Cherokee, Rear Dana 44, Ring and Pinion Kit 3.91 Ratio with 7/16 inch Ring Gear Bolts	16514.35
2A 3/30/2000-2004 Grand Cherokee, Rear Dana 44, Ring and Pinion Kit 3.73 Ratio with 7/16 inch Ring Gear Bolts	16514.40
3 1996-2004 Grand Cherokee, Rear Dana 44, Inner Pinion Bearing	16515.26
4 1996-2004 Grand Cherokee, Rear Dana 44, Collapsible Spacer	16512.62
5 1996-2004 Grand Cherokee, Rear Dana 44, Outer Pinion Bearing Set	16517.30
6 1999-2004 Grand Cherokee, Rear Dana 44, Pinion Thrust Washer	16584.08
7 1999-2000 Grand Cherokee, Rear Dana 44, Inner Pinion Oil Seal with 3/8 inch Ring Gear Bolts and Outer Pinion Oil Seal 1999-2004 2003-2010 Wrangler, 1999-2004 Grand Cherokee Dana 44, Pinion Shim Kit [0.035-0.039]	16519.02
7 2003-2010 Wrangler, 1999-2004 Grand Cherokee Dana 44, Pinion Shim Kit [0.040-0.044]	16519.03
7 2003-2010 Wrangler, 1999-2004 Grand Cherokee Dana 44, Pinion Shim Kit [0.045-0.049]	16519.04
7 2003-2010 Wrangler, 1999-2004 Grand Cherokee Dana 44, Pinion Shim Kit [0.050-0.054]	16519.05
8A 1996-1998 Grand Cherokee, Rear Dana 44, Inner Pinion Oil Seal	16521.30
8A 1999-2004 Grand Cherokee, Rear Dana 44, Inner Pinion Oil Seal	16521.31
8A 2001-2003 Grand Cherokee, Rear Dana 44, Standard Differential Inner Pinion Oil Seal	16521.14
8B 1999-2004 Grand Cherokee, Rear Dana 44, Outer Pinion Seal Only	16521.32
9 1999-2004 Grand Cherokee, Rear Dana 44, Pinion Nut	16584.10
10 1999-2004 Grand Cherokee, Rear Dana 44, Differential Cover with Hardware	16595.84
10 1972-1975 CJ, 1986 CJ, 1987-2011 Wrangler, 1987-2001 Cherokee, 1999-2004 Grand Cherokee, Rear Dana 44, Heavy Duty Differential Cover 3/8" Thick Cast Steel [with Gasket and hardware]	16595.44
10 Cherokee, 1999-2004 Grand Cherokee, Rear Dana 44, Heavy Duty Differential Skid Plate 3/8" Thick Cast Steel [with Gasket and hardware]	16597.44

M. 1999-2010 Grand Cherokee Rear Dana-44

Part#

11 1996-2004 Grand Cherokee, Rear Dana 44, Differential Bearing Kit	16525.30
11 1999-2004 Grand Cherokee, Rear Dana 44, 3/8 Ring Gear Bolt [10 Required]	16521.80
12 1948-69 CJ, 1972-1986 CJ, 1984-2001 XJ Cherokee, 1993-2004 Grand Cherokee, 2002-2007 Liberty, 1987-2010 Wrangler Rear Dana 44 with Flanged Axle, Front Dana 30 Rear Dana 35/44 Ring Gear Bolt Set [7/16 inch Bolts]	16521.81
12 2000-2003 Grand Cherokee, Rear Dana 44, Standard Differential Case [with 7/16 inch Ring Gear Bolts]	16503.64
12 3/30/2000-2003 Grand Cherokee, Rear Dana 44, Hydra-Loc Differential Case	16505.39
12 2000-2003 Grand Cherokee, Differential Case Assembly Kit, [Rear Dana 44], 3.31 to 3.91 Ratio with Hydra Lok & ABS	16505.37
12A 1996-3/29/2000 Grand Cherokee, Rear Dana 44, Standard Differential Case Assembly Kit	16505.35
12A 3/30/2000-2003 Grand Cherokee, Rear Dana 44, Standard Differential Case Assembly Kit with Hydra-Loc	16505.14
12A 3/30/2000-2003 Grand Cherokee, Rear Dana 44, Hydra-Loc Differential Case Assembly	16505.37
12A 1996-3/29/2000 Grand Cherokee, Rear Dana 44, Trac-Lok Differential Case Assembly Kit 3.73 Ratio and Down	16505.36
12A 3/29/2000-2001 Grand Cherokee, Rear Dana 44, Trac-Lok Differential Case Assembly Kit	16505.12
12B 1996-2004 Grand Cherokee, Rear Dana 44, Trac-Loc Spider Gear Kit	16507.41
13 1999-2004 Grand Cherokee, Rear Dana 44, Axle Shaft Retainer	16534.21
14 1999-2004 Grand Cherokee, Rear Dana 44, Axle Shaft Bearing	16536.31
15 1996-1998 Grand Cherokee, Rear Dana 44, Axle Shaft Oil Seal	16534.20
15 1999-2004 Grand Cherokee, Rear Dana 44, Axle Shaft Oil Seal	16534.22
15 1999-2001 Grand Cherokee, Rear Dana 44, Axle Plenum [with 3/8 inch Ring Gear Bolts]	16508.41
15 2007-2013 Wrangler, Rear Dana 44, Axle Seal Retainer NEW	16535.40
16 1996-1998 Grand Cherokee, Rear Dana 44, Passenger Side Axle Shaft [without Hydra-Loc]	16530.12
16 1999-2004 Grand Cherokee, Rear Dana 44, Passenger Side Axle Shaft [without Hydra-Loc] Alloy USA UPGRADE	21126
16 1996-1998 Grand Cherokee, Rear Dana 44, Driver Side Axle Shaft [without Hydra-Loc]	16530.11
16 1999-2004 Grand Cherokee, Rear Dana 44, Driver Side Axle Shaft [without Hydra-Loc] Alloy USA UPGRADE	21127
16 1999-2004 Grand Cherokee, Rear Dana 44, Passenger Side Axle Shaft [with Hydra-Loc] Alloy USA UPGRADE	21128
16 1999-2004 Grand Cherokee, Rear Dana 44, Driver Side Axle Shaft [with Hydra-Loc] Alloy USA UPGRADE	21129
1996-1998 Grand Cherokee, Rear Dana 44, Trac-Loc Disk Kit	16508.21
1999-2004 Grand Cherokee, Rear Dana 44, Trac-Loc Disk Kit	16508.20

**A. Slip Yoke Eliminators**

	Part#
1988-2006 Wrangler (Except Rubicon), 1988-2001 Cherokee, SYE Kit for NP231	18676.60
Pinion Yoke For SYE Kit	18676.61
Seal For SYE Kit	18676.62
Hardware For SYE Kit	18676.64
1988-2006 Wrangler (Except Rubicon), 1988-2001 Cherokee, Mega Short SYE Kit for NP231	18676.72

B. CV Drive Shaft for 1987-2014 Wrangler

	Part#
1987-1993 Wrangler with Up to 3" Lift	16592.01
1987-1995 Wrangler with Over 3" Lift	16592.02
1994-1995 Wrangler with Up to 3" Lift	16592.03
1994-1995 Wrangler with Over 3" Lift	16592.04
1997-2006 Wrangler with 2" to 6" Lift	16592.05
1997-2006 Wrangler with 3.5" to 6" Lift [Use with Mega Short SYE]	16592.06
2007-2014 Wrangler 2 or 4 Door Front CV Style	16592.22
2007-2014 Wrangler 2 Door Rear CV Style	16592.21
2007-2014 Wrangler 4 Door Rear CV Style	16592.20

C. CJ Front Drive Shaft

	Part#
1946-1966 CJ, 1950-1966 M38 and M38A1, Front Drive Shaft	16590.01
1976-1979 CJ7 with 6 or 8 Cylinder and Automatic Transmission, Front Drive Shaft [36 3/8 inch]	16590.02
1976-1976 CJ7 and CJ5 with 6 or 8 Cylinder and T150, Front Drive Shaft [26.5 inches]	16590.03
1976-1976 CJ7 and CJ5 with 6 or 8 Cylinder and T18, 1981 CJ7 and CJ8 with 4 Cylinder and Automatic, Front Drive Shaft [30.25 inches]	16590.04
1980-1986 CJ5, CJ7 and CJ8 with 6 or 8 Cylinder and T170, 1983-1986 CJ with 4 Cylinder and T4 or T5, Front Drive Shaft [29.5 inch]	16590.07
1982-1986 CJ5 and CJ7 with 4 Cylinder and T176, Front Drive Shaft [27.25 inch]	16590.08

D. CJ Rear Drive Shafts

	Part#
1976-1979 CJ7 with 6 or 8 Cylinder and T150, Rear Drive Shaft [26.5 inch]	16591.01
1980 CJ7 with 4, 6 or 8 Cylinder, and Automatic, 1981 CJ7 with 4, 6 or 8 Cylinder and SR4, 1982-1986 CJ7 with 6 Cylinder and T4 or T5, Rear Drive Shaft [20.75 inch]	16591.02
1980 CJ7 with 4, 6 or 8 Cylinder with T170 or SR4, Rear Drive Shaft [23 5/8 inch]	16591.03
1981-1986 CJ7 4, 6 or 8 Cylinder with T4, T5, or T170, Rear Drive Shaft [23 inch]	16591.04
1981-1986 CJ8 7 6 or 8 Cylinder with Automatic, Rear Drive Shaft	16591.05
1976-1979 CJ5 6 or 8 Cylinder with T150, Rear Drive Shaft [18.25 inch]	16591.06
1980 CJ5 4 or 6 Cylinder with SR4, Rear Drive Shaft [13 7/8 inch]	16591.07
1981-1986 CJ5 4 or 6 Cylinder with SR4, T4 or T5, Rear Drive Shaft [13 inch]	16591.08
1981-1986 CJ8 4 or 6 Cylinder with T170, T4 or T5, Rear Drive Shaft [33 inch]	16591.09
1981-1986 4 or 6 Cylinder with SR4, T4 or T5, Rear Drive Shaft [30.75 inch]	16591.10
1946-1966 CJ, 1950-1966 M38 and M38A1, Rear Drive Shaft	16591.11

E. Wrangler Driveshafts

	Part#
1987-1995 Wrangler with 6 Cylinder with Automatic, Front Drive Shaft	S-52088028
1994-1995 Wrangler with Manual and 3" Slip Yoke, Rear Drive Shaft	S-52098221
1997-2002 Wrangler with 2.5L, AX15 Manual, Front Drive Shaft	16590.22
1997-2002 Wrangler with 4.0L, AX15 Manual, Front Drive Shaft	16590.23
2001-2002 Wrangler with 2.5L, Automatic, Front Drive Shaft	16590.25
2001-2006 Wrangler with 4.0L, Manual, Dana 35, Rear Drive Shaft	16591.24
2003-2006 Wrangler with 4 Cylinder, Automatic, Front Drive Shaft	16590.27
2003-2006 Wrangler with 4.0L, Manual, Front Drive Shaft	16590.24
2003-2006 Wrangler with 4 Cylinder, Manual, Front Drive Shaft	16590.28
2003-2006 Wrangler with 4 Cylinder, Automatic, Dana 35, Rear Drive Shaft	16591.25
2003-2006 Wrangler with 4 Cylinder, Manual, Dana 35, Rear Drive Shaft	16591.26
2007-2014 Wrangler 2 or 4 Door, Front CV Style Drive Shaft	16592.22
2007-2014 Wrangler 2 Door, Rear CV Style Drive Shaft	16592.21
2007-2014 Wrangler 4 Door, Rear CV Style Drive Shaft	16592.20

F. Cherokee Drive Shafts

	Part#
1989-2000 Cherokee with 4.0L, Manual, Front Drive Shaft	16590.30
1989-2000 Cherokee with 4.0L, Automatic, Front Drive Shaft	16590.31
1995-2000 Cherokee [Export] with 2.5L Diesel, Front Drive Shaft	16590.32
1982-1992 Cherokee [Export] with 4.0L, Manual, Front Drive Shaft	16590.33
1987-1996 Cherokee with 4.0L, 4WD, Automatic and Dana 35, Rear Drive Shaft	16591.30

G. Grand Cherokee Drive Shafts

	Part#
1992-1993 Grand Cherokee with 6 Cylinder, Automatic, Front Drive Shaft	16590.40
1993-1995 Grand Cherokee with V8, Automatic, Front Drive Shaft	16590.43
1994 Grand Cherokee with 6 Cylinder, A500 Automatic, Front Drive Shaft	16590.42
1984-1995 Grand Cherokee with V8, A500 Automatic, Front Drive Shaft	16590.44

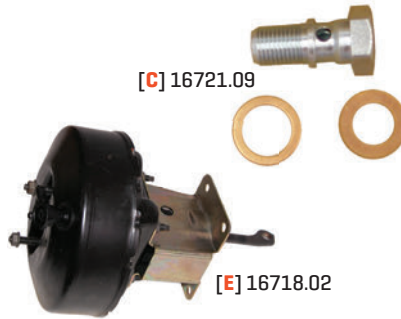
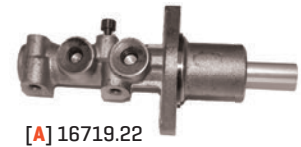
H. Misc. Drive Shaft Components

	Part#
1994-1999 Cherokee, Dana 30, Front CV Boot Kit [Boot and Clamp]	16527.30
1941-1999 CJ and Wrangler [Except 1967-1971 CJ], Front and Rear Drive Shaft U Joint 3 7/32 inch	16585.01
1941-1999 CJ and Wrangler [Except 1967-1971 CJ], Front and Rear Drive Shaft U Joint 3 7/32 inch [Spicer]	16585.02
1967-1971 CJ, Front Drive Shaft U-Joint	16585.03
1967-1992 Wagoneer, Grand Cherokee U-Joint	16585.04
1955-1999 CJ and Wrangler, Drive Shaft Greasable U-Joint Kit 3 7/32 inch [Spicer]	16585.05
1994-1997 Wrangler, Rear Drive Shaft 3 5/8 inch U-Joint	16585.06
1941-1969 CJ, 1972-1986 CJ, 1987-2010 Wrangler, 1984-2001 Cherokee, 1993-1998 Grand Cherokee, 2002-2007 Liberty, Dana 25/2730/44, AMC 20 Axle, Dana 20/300 and Quadtrac Transfer Case, U-bolt kit for Yoke part number 16580.02 Pair	16582.01
1941-1969 CJ, 1972-1986 CJ, 1987-2010 Wrangler, 1984-2001 Cherokee, 1993-1998 Grand Cherokee, 2002-2007 Liberty, Dana 25/2730/44, AMC 20 Axle, Dana 20/300 and Quadtrac Transfer Case, U-bolt kit for Yoke part number 16580.02 Pair [Spicer Brand]	16582.02
1981-1986 CJ, 1987-2010 Wrangler, 1981-2001 Cherokee, 1993-1998 Grand Cherokee, 2002-2007 Liberty, Front Dana 30, Rear Dana 35/44, AMC 20 Axle, Dana 300 Transfer Case, U-Bolt Kit for Yoke 16580.03	16582.03
1946-1971 CJ, Front or Rear Drive Shaft Sliding Yoke	16580.51
1974-1986 CJ, Front or Rear Drive Shaft Sliding Yoke	16580.52
1987-1995 Wrangler, Sliding Yoke	16580.53
1975-1986 CJ and SJ, Front Drive Shaft Constant Velocity Yoke Thread Locker [5 ML], Red	16580.54
	19201.02

Brake Components - Master Cylinders & Boosters

A. Master Cylinders	Part#
1941-1945 MB, 1941-1945 Ford GPW, 1945-1948 CJ2A, Brake Master Cylinder *	16719.01
1948-1949 CJ2A, 1948-1953 CJ3A, 1953-1967 CJ3B, 1950-1952 M38, 1952-1971 M38A1, 1955-1966 CJ5, 1955-1966 CJ6, 1946-1964 Truck, 1946-1964 Station Wagon, 1948-1951 Jeepster, Brake Master Cylinder (Drum Brakes) *	16719.03
1950-1952 M38, 1952-1971 M38A1, 1948-1964 Truck, 1948-1964 Station Wagon, 1948-1951 Jeepster, Master Cylinder (Drum Brakes)	16719.03
1962-1965 Galdiator, 1962-1965 Wagon, Brake Master Cylinder, With 230 CI	16719.24
1972-1976 CJ5, 1972-1975 CJ6, 1976 CJ7, Brake Master Cylinder (Drum Brakes)	16719.06
1974-1990 Cherokee / Grand Wagoneer [SJ], Brake Master Cylinder, With Power Brakes	16719.18
1976-1978 CJ5, 1976-1978 CJ7, Master Cylinder (Disc Brakes), With Manual Brakes (For 6-Bolt Calipers)	16719.09
1976-1978 CJ5, 1976-1978 CJ7, Master Cylinder (Disc Brakes), With Power Brakes (For 6-Bolt Calipers)	16719.08
1977-1978 CJ5, 1977-1978 CJ7, Master Cylinder (Drum Brakes)	16719.07
1978-1983 CJ5, 1978-1986 CJ7, 1981-1986 CJ8, Brake Master Cylinder (Disc Brake), With Manual Brakes (For 2-Bolt Calipers)	16719.10
1978-1983 CJ5, 1978-1986 CJ7, 1981-1986 CJ8, Master Cylinder (Disc Brake), With Power Brakes (For 2-Bolt Calipers)	16719.11
1990-1994 Wrangler, Brake Master Cylinder (Without ABS)	16719.14
1995 Wrangler, Brake Master Cylinder (All Models)	16719.16
1995-2001 Cherokee, 1995-1998 Grand Cherokee, Brake Master Cylinder (All Models)	16719.23
1997-2006 Wrangler, Brake Master Cylinder (All Models)	16719.17
1987-1989 Wrangler, 1984-1989 Cherokee, Brake Master Cylinder	16719.13
2007-2014 Wrangler, Brake Master Cylinder NEW	16719.31
2007-2014 Wrangler, 2012 Liberty (Except BR6), Brake Master Cylinder NEW	16719.25
1990-1994 Cherokee, Brake Master Cylinder (Without ABS)	16719.20
1990-1994 Cherokee [Export Models], Brake Master Cylinder	16719.21
1992-1993 Cherokee, 1993 Grand Cherokee, Brake Master Cylinder (With ABS)	16719.22
1993-1994 Grand Cherokee, 1994 Wrangler (With Rear Disc Brakes), 1994 Cherokee, Brake Master Cylinder (With ABS)	16719.15
2007-2010 Compass & Liberty, Brake Master Cylinder NEW	16719.26
1999-2004 Grand Cherokee, Brake Master Cylinder NEW	16719.27
2005 Grand Cherokee, Brake Master Cylinder (Without ESP) NEW	16719.28
2006-2010 Commander & Grand Cherokee, Brake Master Cylinder NEW	16719.29
2006-2007 Liberty, Brake Master Cylinder NEW	16719.30
1981-1990 Grand Wagoneer [SJ], Brake Master Cylinder (All Models)	16719.19
1982-1984 DJ5-M (Postal), Brake Master Cylinder	16719.12

B. Master Cylinder Repair Kits	Part#
1941-1945 MB, 1941-1945 Ford GPW, 1945-1949 CJ2A, 1948-1953 CJ3A, 1953-1967 CJ3B, 1950-1952 M38, 1952-1971 M38A1, 1955-1966 CJ5, 1955-1966 CJ6, 1946-1964 Truck, 1946-1964 Station Wagon, 1948-1951 Jeepster, Brake Master Cylinder Repair Kit	16720.01
1978-1981 CJ5, 1978-1986 CJ7, 1981-1986 CJ8, Brake Master Cylinder Repair Kit (Disc Brake), With Manual Brakes (For 2-Bolt Calipers)	16720.06
1987-1989 Wrangler, 1984-1989 Cherokee, Brake Master Cylinder Repair Kit	16720.04



C. Master Cylinder Components	Part#
1941-1945 MB, 1941-1945 Ford GPW, 1945-1949 CJ2A, 1948-1953 CJ3A, 1953-1967 CJ3B, 1950-1952 M38, 1952-1971 M38A1, 1955-1966 CJ5, 1955-1966 CJ6, 1946-1964 Truck, 1946-1964 Station Wagon, 1948-1951 Jeepster, Brake Master Cylinder Fitting Bolt Kit, With Washers (3 Pieces)	16721.09
1941-1945 MB, 1941-1945 Ford GPW, 1945-1949 CJ2A, 1948-1953 CJ3A, 1953-1967 CJ3B, 1950-1952 M38, 1952-1971 M38A1, 1955-1966 CJ5, 1955-1966 CJ6, 1946-1964 Truck, 1946-1964 Station Wagon, 1948-1951 Jeepster, Brake Master Cylinder Fitting Bolt	16721.08
1941-1945 MB, 1941-1945 Ford GPW, 1945-1949 CJ2A, 1948-1953 CJ3A, 1953-1967 CJ3B, 1950-1952 M38, 1952-1971 M38A1, 1955-1966 CJ5, 1955-1966 CJ6, 1946-1964 Truck, 1946-1964 Station Wagon, 1948-1951 Jeepster, Brake Master Cylinder Washer, Between Master Cylinder & Fitting	16721.06
1941-1945 MB, 1941-1945 Ford GPW, 1945-1949 CJ2A, 1948-1953 CJ3A, 1953-1967 CJ3B, 1950-1952 M38, 1952-1971 M38A1, 1955-1966 CJ5, 1955-1966 CJ6, 1946-1964 Truck, 1946-1964 Station Wagon, 1948-1951 Jeepster, Brake Master Cylinder Washer, Between Fitting & Bolt	16721.07

D. Power Brake Booster & Master Cylinder Kits	Part#
1976-1978 CJ5, 1976-1978 CJ7, Power Brake Booster Kit, With Master Cylinder (For 6-Bolt Calipers)	16718.21
1978-1981 CJ5, 1978-1986 CJ7, 1981-1986 CJ8, Power Brake Booster Kit, With Master Cylinder (For 2-Bolt Calipers)	16718.20
1995-1996 Cherokee (With 2.5L or 4.0L Engine), Power Brake Booster Kit, With Master Cylinder	S-52008647

E. Power Brake Booster	Part#
1976-1983 CJ5, 1976-1986 CJ7, 1981-1986 CJ8, Power Brake Booster Bracket	16721.10
1982-1983 CJ5, 1982-1986 CJ7, 1982-1986 CJ8, Power Brake Booster	16718.01
1987-1990 Wrangler, Power Brake Booster	16718.02
1984-1990 Cherokee (With 2.5L, 2.8L or 4.0L Engine), 1991-1994 Cherokee [Export Models] Power Brake Booster	16718.04
1995-1996 Cherokee (With 2.5L or 4.0L Engine), Power Brake Booster	16718.05
1995-1998 Grand Cherokee, Power Brake Booster	16718.06
1997-2001 Cherokee, Power Brake Booster	16718.07

* CJ2A Before Serial #215649 + CJ2A After Serial #215649



F. Brake Hose - Front	Part#
1941-1945 MB, 1945-1945 Ford GPW, 1945-1949 CJ2A, 1948-1953 CJ3A, 1950-1952 M38, 1952-1971 M38A1, 1953-1967 CJ3B, 1955-1965 CJ5, 1955-1965 CJ6, Brake Hose (Front), For 9" Brakes	16732.01
1941-1945 MB, 1945-1945 Ford GPW, 1945-1949 CJ2A, 1948-1953 CJ3A, 1950-1952 M38, 1952-1971 M38A1, 1953-1967 CJ3B, 1955-1965 CJ5, 1955-1965 CJ6, Brake Hose (Front Center), For 9" Brakes	16732.02
1966-1971 CJ5, 1966-1971 CJ6, 1967-1970 Jeepster, Brake Hose (Front), For 10" Brakes	16732.03
1972-1973 CJ5, 1972-1973 CJ6, Brake Hose (Front), For 11" Brakes	16732.04
1974-1977 CJ5, 1974-1975 CJ6, 1976-1977 Brake Hose (Front), For 11" Drum Brakes	16732.05
1976-1978 CJ5, 1976-1978 CJ7, Brake Hose (Front), For Disc Brakes With 6-Bolt Calipers	16732.06
1978-1981 CJ5, 1978-1981 CJ7, 1981 CJ8, Brake Hose (Front), For Disc Brakes With 2-Bolt Calipers	16732.07
1982-1983 CJ5, Brake Hose (Front), For Disc Brakes	16732.08
1982-1986 CJ7, 1982-1986 CJ8, Brake Hose (Front), For Disc Brakes, Left	16732.09
1982-1986 CJ7, 1982-1986 CJ8, Brake Hose (Front), For Disc Brakes, Right	16732.10
1987-1989 Wrangler, Brake Hose (Front), For Disc Brakes, Left	16732.11
1987-1989 Wrangler, Brake Hose (Front), For Disc Brakes, Right	16732.12
1990-1995 Wrangler, Brake Hose (Front), Without ABS, Left	16732.13
1990-1995 Wrangler, Brake Hose (Front), Without ABS, Right	16732.14
1997-2006 Wrangler, Brake Hose (Front), With or Without ABS, Left	16732.15
1997-2006 Wrangler, Brake Hose (Front), With or Without ABS, Right	16732.16
2007-2014 Wrangler, Brake Hose (Front), Left NEW	16732.29
2007-2014 Wrangler, Brake Hose (Front), Right NEW	16732.30
1974-1978 Cherokee / Grand Wagoneer (SJ), Brake Hose (Front)	16732.19
1984-1989 Cherokee, Brake Hose (Front), Left	16732.17
1984-1989 Cherokee, Brake Hose (Front), Right	16732.18
1990-2001 Cherokee, Brake Hose (Front), Left	16732.21
1990-2001 Cherokee, Brake Hose (Front), Right	16732.24
1999-2004 Grand Cherokee, Brake Hose (Front), Left	16732.25
1999-2004 Grand Cherokee, Brake Hose (Front), Right	16732.26
2005-2010 Grand Cherokee, 2006-2010 Commander, Brake Hose (Front), Left *	16732.27
2005-2010 Grand Cherokee, 2006-2010 Commander, Brake Hose (Front), Left *	16732.28

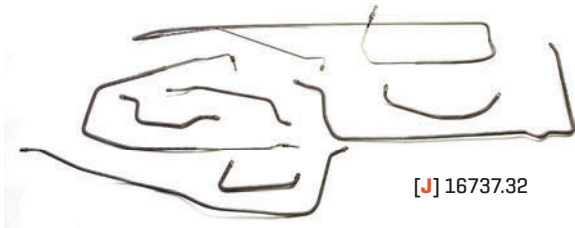
G. Brake Hose - Rear	Part#
1941-1945 MB, 1945-1945 Ford GPW, 1945-1949 CJ2A, 1948-1953 CJ3A, 1950-1952 M38, 1952-1971 M38A1, 1953-1967 CJ3B, 1955-1965 CJ5, 1955-1965 CJ6, Brake Hose (Rear), For 9" Brakes	16733.01
1972-1975 CJ5, 1972-1975 CJ6, Brake Hose (Rear), For 11" Brakes	16733.02
1976-1983 CJ5, 1976-1986 CJ7, 1981-1986 CJ8, Brake Hose (Rear)	16733.03
1984-1989 Cherokee, Brake Hose (Rear)	16733.07
1987-1995 Wrangler, Brake Hose (Rear)	16733.05
1990-1991 Cherokee, Brake Hose (Rear)	16733.08
1992-2001 Cherokee, Brake Hose (Rear)	16733.09
1993-1998 Grand Cherokee, Brake Hose (Rear)	16733.10
1997-2006 Wrangler, Brake Hose (Rear), With Rear Drums	16733.06
1999-2004 Grand Cherokee, Brake Hose (Rear), Right NEW	16733.11
1999-2004 Grand Cherokee, Brake Hose (Rear), Left NEW	16733.12
2007-2014 Grand Cherokee, Brake Hose (Rear), Right NEW	16733.14
2007-2014 Grand Cherokee, Brake Hose (Rear), Left NEW	16733.15

H. Brake Hose Hardware	Part#
1976-1983 CJ5, 1976-1986 CJ7, 1981-1986 CJ8, 1974-1991 Cherokee / Grand Wagoneer (SJ), Brake Hose Clip	16736.01
1976-1981 CJ5, 1976-1981 CJ7, 1981 CJ8, Brake Hose to Caliper Bolt (Front), For 2 or 6 Bolt Calipers	16736.02
1976-1981 CJ5, 1976-1981 CJ7, 1981 CJ8, Brake Hose to Caliper Washer (Front), For 2 or 6 Bolt Calipers	16751.09
1982-1983 CJ5, 1982-1986 CJ7, 1982-1986 CJ8, Brake Hose to Caliper Bolt (Front)	16736.03
1982-1983 CJ5, 1982-1986 CJ7, 1982-1986 CJ8, Brake Hose to Caliper Washer (Front)	16751.10
1987-2006 Wrangler, 1990-2001 Cherokee, Brake Hose to Caliper Washer (Front)	16751.10

I. Brake Lines - Standard Steel	Part#
1941-1945 MB, 1941-1945 Ford GPW, 1945-1949 CJ2A, 1948-1953 CJ3A, 1953-1967 CJ3B, 1950-1952 M38, 1952-1971 M38A1, 1955-1966 CJ5, 1955-1966 CJ6, Wheel Cylinder Brake Line	16732.50
1941-1942 MB, 1941-1942 Ford GPW, Full Brake Line Set	16737.01
1943-1945 MB, 1943-1945 Ford GPW, Full Brake Line Set	16737.02
1945-1949 CJ2A, 1948-1953 CJ3A, Brake Line Set, Front, For Model 25 Axle	16737.06
1945-1949 CJ2A, Brake Line Set, Rear, For Model 41 Axle	16737.07
1945-1947 CJ2A, Brake Line Set, Frame Lines	16737.09
1948-1949 CJ2A, 1949-1953 CJ3A, 1953-1955 CJ3B, Brake Line Set, Frame Lines	16737.10
1949-1953 CJ3A, 1953-1967 CJ3B, Brake Line Set, Rear, For Dana 44 Axle	16737.08
1950-1952 M38, Full Brake Line Set	16737.03
1953-1971 M38A1, Full Brake Line Set	16737.04
1955-1964 CJ5, Full Brake Line Set, For 9" Rear Brakes	16737.05
1955-1964 CJ5, Full Brake Line Set, For 10" Rear Brakes	16737.12
1956-1967 CJ3B, Brake Line Set, Frame Lines	16737.11
Universal Brake Line, 25' Coil, 13/16" X .028", With 16 Fittings	16737.80
Universal Brake Line, 25' Coil, 1/4" X .028", With 14 Fittings	16737.81
Universal Brake Line, 25' Coil, 5/16" X .028", With 10 Fittings	16737.82
Universal Brake Line, 25' Coil, 3/8" X .028", With 6 Fittings	16737.83

* Except SRT8

Brake - Hydraulics



[J] 16737.32



[K] 16722.09



[L] 16723.10



[M] 16724.04



J. Brake Lines - Stainless Steel

Part#

1967-1968 CJ5, Full Brake Line Set (12 Pieces), With Drums, Stainless Steel	16737.30
1977-1980 CJ5, Full Brake Line Set, With Manual Disc, Stainless Steel UPGRADE	16737.36
1969-1971 CJ5, Full Brake Line Set (12 Pieces), With Drums, Stainless Steel UPGRADE	16737.31
1972-1973 CJ5, Full Brake Line Set, With Drums, Stainless Steel UPGRADE	16737.32
1974-1975 CJ5, Full Brake Line Set, With Drums, Stainless Steel UPGRADE	16737.33
1976-1978 CJ5, Full Brake Line Set, With Drums, Stainless Steel UPGRADE	16737.34
1976-1978 CJ7, Full Brake Line Set, With Drums, Stainless Steel UPGRADE	16737.40
1976-1978 CJ7, Full Brake Line Set, With Power Drums, Stainless Steel UPGRADE	16737.41
1976-1980 CJ7, Full Brake Line Set, With Manual Disc, Stainless Steel UPGRADE	16737.42
1976-1980 CJ7, Full Brake Line Set, With Power Disc, Stainless Steel UPGRADE	16737.43
1976-1979 CJ7 (With Quadratrak), Full Brake Line Set, With Drums, Stainless Steel UPGRADE	16737.46
1976-1979 CJ7 (With Quadratrak), Full Brake Line Set, With Power Drums, Stainless Steel UPGRADE	16737.47
1976-1979 CJ7 (With Quadratrak), Full Brake Line Set, With Disc, Stainless Steel UPGRADE	16737.48
1976-1979 CJ7 (With Quadratrak), Full Brake Line Set, With Power Disc, Stainless Steel UPGRADE	16737.49
1977-1980 CJ5, Full Brake Line Set, With Power Disc, Stainless Steel UPGRADE	16737.37
1981-1983 CJ5, Full Brake Line Set, With Drums, Stainless Steel UPGRADE	16737.38
1981-1983 CJ5, Full Brake Line Set, With Power Disc, Stainless Steel UPGRADE	16737.39
1981-1986 CJ7, Full Brake Line Set, With Drums, Stainless Steel UPGRADE	16737.44
1981-1986 CJ7, Full Brake Line Set, With Power Disc, Stainless Steel UPGRADE	16737.45
1987-1995 Wrangler, Full Brake Line Set, With Disc, Stainless Steel UPGRADE	16737.50
1997-2006 Wrangler, Full Brake Line Set, With Disc, Stainless Steel UPGRADE	16737.51

K. Wheel Cylinders Front

Part#

1941-1945 MB, 1945-1945 Ford GPW, 1945-1949 CJ2A, 1948-1953 CJ3A, Wheel Cylinder (Front), LH or RH	16722.01
1946-1964 Truck, 1946-1964 Station Wagon, Brake Shoes (Front), 11" x 2", LH	16722.11
1946-1964 Truck, 1946-1964 Station Wagon, Brake Shoes (Front), 11" x 2", RH	16722.12
1953-1967 CJ3B, 1952-1971 M38A1, 1955-1965 CJ5, 1955-1965 CJ6, Wheel Cylinder (Front), Without Angled Hose Connection, LH or RH	16722.03
1963-1967 CJ3B, 1963-1966 CJ5, 1963-1966 CJ6, Wheel Cylinder (Front), With Angled Hose Connection, LH	16722.05
1963-1967 CJ3B, 1963-1966 CJ5, 1963-1966 CJ6, Wheel Cylinder (Front), With Angled Hose Connection, RH	16722.06
1966-1971 CJ5, 1966-1971 CJ6, 1967-1970 Jeepster, Wheel Cylinder (Front), For 10" x 2" Brakes, 1" Bore	16722.07
1966-1971 CJ5, 1966-1971 CJ6, 1967-1970 Jeepster, Wheel Cylinder (Front), For 10" x 2" Brakes, 1-1/8" Bore	16722.08
1972-1977 CJ5, 1972-1977 CJ6, 1976-1977 CJ7, Wheel Cylinder (Front), 11" x 2", LH	16722.09
1972-1977 CJ5, 1972-1977 CJ6, 1976-1977 CJ7, Wheel Cylinder (Front), 11" x 2", RH	16722.10
1979-1988 J20 Truck, Wheel Cylinder (Front), LH or RH	16723.22
1982-1984 DJ5-M (Postal), Wheel Cylinder (Front), LH	16723.21
1982-1984 DJ5-M (Postal), Wheel Cylinder (Front), RH	16723.20

L. Wheel Cylinders Rear

Part#

1941-1945 MB, 1945-1945 Ford GPW, 1945-1949 CJ2A, 1948-1953 CJ3A, Wheel Cylinder (Rear), LH or RH, 3/4" Bore	16723.01
1946-1964 Truck, 1946-1964 Station Wagon, Wheel Cylinders (Rear), 11" x 2", LH	16723.13
1946-1964 Truck, 1946-1964 Station Wagon, Wheel Cylinders (Rear), 11" x 2", RH	16723.14
1953-1967 CJ3B, 1952-1971 M38A1, 1955-1965 CJ5, 1955-1965 CJ6, Wheel Cylinders (Rear), 9" x 1-3/4", LH or RH	16723.03
1955-1964 DJ3A (Postal), Wheel Cylinder (Rear), 1" Bore	16722.14
1966-1971 CJ5, 1966-1971 CJ6, 1967-1970 Jeepster, Wheel Cylinder (Rear), For 10" x 2" Brakes, LH	16723.05
1966-1971 CJ5, 1966-1971 CJ6, 1967-1970 Jeepster, Wheel Cylinder (Rear), For 10" x 2" Brakes, RH	16723.06
1972-1974 CJ5, 1972-1974 CJ6, Wheel Cylinder (Rear), For 11" x 2" Unfinned Drums, LH	16723.07
1972-1974 CJ5, 1972-1974 CJ6, Wheel Cylinder (Rear), For 11" x 2" Unfinned Drums, RH	16723.08
1976-1983 CJ5, 1978-1986 CJ7, 1981-1986 CJ8, 1984-1989 Cherokee, 1987-1989 Wrangler, Wheel Cylinder (Rear), 10" or 11" Brakes, Left	16723.09
1976-1983 CJ5, 1978-1986 CJ7, 1981-1986 CJ8, 1984-1989 Cherokee, 1987-1989 Wrangler, Wheel Cylinder (Rear), 10" or 11" Brakes, Right	16723.10
1978-1991 Cherokee / Grand Cherokee, Wheel Cylinder (Rear), LH or RH	16723.12
1979-1988 J20 Truck, Wheel Cylinder (Rear), LH or RH	16723.22
1990-2000 Wrangler, 1990-2001 Cherokee, 1993-1998 Grand Cherokee, Wheel Cylinder (Rear), 9" x 2.5" Without ABS, LH or RH *	16723.11
2000-2006 Wrangler, 1991-2001 Cherokee, 1993-1998 Grand Cherokee, Wheel Cylinders (Rear), 10" x 1-3/4", With ABS, LH or RH +	16723.18
2002 Liberty, Wheel Cylinder (Rear), For 10" x 1-3/4" Drum	16723.19

M. Wheel Cylinder Repair Kits

Part#

Wheel Cylinder Repair Kit, For All 3/4" Bore Wheel Cylinders	16724.01
Wheel Cylinder Repair Kit, For All 13/16" Bore Wheel Cylinders	16724.02
Wheel Cylinder Repair Kit, For All 7/8" Bore Wheel Cylinders	16724.03
Wheel Cylinder Repair Kit, For All 15/16" Bore Wheel Cylinders	16724.06
Wheel Cylinder Repair Kit, For All 1" Bore Wheel Cylinders	16724.04
Wheel Cylinder Repair Kit, For All 1-1/8" Bore Wheel Cylinders	16724.05



[N] 16745.01



[O] 16748.01



[P] 16747.03



[Q] 16749.01



[R] 16706.01

N. Disc Brake Calipers - Front	Part#
1976-1978 CJ5, 1976-1978 CJ7, Disc Brake Calipers (Front), For 6-Bolt Bracket, Left	16744.01
1976-1978 CJ5, 1976-1978 CJ7, Disc Brake Calipers (Front), For 6-Bolt Bracket, Right	16744.02
1978-1981 CJ5, 1978-1981 CJ7, 1981 CJ8, Disc Brake Calipers (Front), For 2-Bolt Bracket, Left	16744.03
1978-1981 CJ5, 1978-1981 CJ7, 1981 CJ8, Disc Brake Calipers (Front), For 2-Bolt Bracket, Right	16744.04
1982-1983 CJ5, 1982-1986 CJ7, 1982-1986 CJ8, 1984-1989 Cherokee, 1987-1989 Wrangler, Disc Brake Caliper, Left	16744.07
1982-1983 CJ5, 1982-1986 CJ7, 1982-1986 CJ8, 1984-1989 Cherokee, 1987-1989 Wrangler, Disc Brake Caliper, Right	16744.06
1990-2006 Wrangler, 1990-2001 Cherokee (4WD), 1993-1998 Grand Cherokee, Disc Brake Caliper (Front), Left	16745.01
1990-2006 Wrangler, 1990-2001 Cherokee (4WD), 1993-1998 Grand Cherokee, Disc Brake Caliper (Front), Right	16745.02
2003-2006 Wrangler, Disc Brake Caliper (Front & Rear), Left NEW	16757.01
2003-2006 Wrangler, Disc Brake Caliper (Front & Rear), Right NEW	16757.02
1999-2004 Grand Cherokee, Disc Brake Caliper (Front), Akebono Style, Left *	16745.07
1999-2004 Grand Cherokee, Disc Brake Caliper (Front), Akebono Style, Right *	16745.06
2002-2007 Liberty, Disc Brake Caliper (Front), Left	16745.05
2002-2007 Liberty, Disc Brake Caliper (Front), Right	16745.04
2005-2010 Grand Cherokee, 2006-2010 Commander, Disc Brake Caliper (Front & Rear) NEW	16745.10
1994-1998 Grand Cherokee, Disc Brake Caliper (Front & Rear), Right NEW	16757.03
1994-1998 Grand Cherokee, Disc Brake Caliper (Front & Rear), Left NEW	16757.04
2003-2007 Liberty, 2009 Compass & Patriot, Disc Brake Caliper (Front & Rear), Right NEW	16757.05
2003-2007 Liberty, 2009 Compass & Patriot, Disc Brake Caliper (Front & Rear), Left NEW	16757.06

O. Disc Brake Caliper Hardware Kit	Part#
1976-1978 CJ5, 1976-1978 CJ7, Disc Brake Caliper Hardware Kit (Front), For 6-Bolt Caliper, LH or RH	16748.01
1978-1981 CJ5, 1978-1981 CJ7, 1981 CJ8, Disc Brake Caliper Hardware Kit (Front), For 2-Bolt Caliper, LH or RH	16748.02
1982-1983 CJ5, 1982-1986 CJ7, 1982-1986 CJ8, 1984-1989 Cherokee, 1987-1989 Wrangler, Disc Brake Caliper Hardware Kit (Front), LH or RH	16748.03
1990-2006 Wrangler, 1990-2001 Cherokee (4WD), 1993-1998 Grand Cherokee, Disc Brake Caliper Hardware Kit (Front), LH or RH	16748.04
1999-2004 Grand Cherokee, Disc Brake Caliper Hardware Kit (Front), Akebono Style, LH or RH	16748.05

P. Disc Brake Caliper Pistons & Seals	Part#
1976-1978 CJ5, 1976-1978 CJ7, Disc Brake Caliper Piston & Seal Kit (Front), For 6-Bolt Caliper, LH or RH	16747.01
1978-1981 CJ5, 1978-1981 CJ7, 1981 CJ8, Disc Brake Caliper Piston & Seal Kit (Front), For 2-Bolt Caliper, LH or RH	16747.02
1982-1983 CJ5, 1982-1986 CJ7, 1982-1986 CJ8, 1984-1989 Cherokee, 1987-1989 Wrangler, Disc Brake Caliper Seal Kit (Front), LH or RH	16746.01
1982-1983 CJ5, 1982-1986 CJ7, 1982-1986 CJ8, 1984-1989 Cherokee, 1987-1989 Wrangler, Disc Brake Caliper Piston & Seal Kit (Front), LH or RH	16747.03
1990-2006 Wrangler, 1990-2001 Cherokee (4WD), 1993-1998 Grand Cherokee, Disc Brake Caliper Seal Kit (Front), LH or RH	16747.04
1999-2002 Grand Cherokee, Disc Brake Caliper Piston & Seal Kit (Front), Teves Style, LH or RH	16747.05
2002-2007 Liberty, Disc Brake Caliper Seal (Front), LH or RH	16746.02
2002-2007 Liberty, Disc Brake Caliper Piston (Front), LH or RH	16746.50

Q. Disc Brake Caliper Bolts & Pins	Part#
1976-1981 CJ5, 1976-1981 CJ7, 1981 CJ8, Disc Brake Caliper Bolt (Front), For 2 or 6 Bolt Calipers, LH or RH	16749.01
1982-1983 CJ5, 1982-1986 CJ7, 1982-1986 CJ8, 1984-1989 Cherokee, 1987-1989 Wrangler, Disc Brake Caliper Bolt (Front), LH or RH	16749.02
1990-2006 Wrangler, 1990-2001 Cherokee (4WD), 1993-1998 Grand Cherokee, Disc Brake Caliper Pin (Front), LH or RH	16749.09
2007-2014 Wrangler, Disc Brake Caliper Pin Set (Front)	16749.10
2007-2014 Wrangler, Disc Brake Caliper Pin Set (Rear)	16749.11
1982-1983 CJ5, 1982-1986 CJ7, 1982-1986 CJ8, 1984-1989 Cherokee, 1987-1989 Wrangler, Disc Brake Caliper Bushing (Front), LH or RH	16749.05
1990-2006 Wrangler, 1990-2001 Cherokee (4WD), 1993-1998 Grand Cherokee, Disc Brake Caliper Bushing (Front), LH or RH	16749.06
1982-1983 CJ5, 1982-1986 CJ7, 1982-1986 CJ8, 1984-1989 Cherokee, 1987-1989 Wrangler, Disc Brake Caliper Sleeve (Front), LH or RH	16749.07
1990-2006 Wrangler, 1990-2001 Cherokee (4WD), 1993-1998 Grand Cherokee, Disc Brake Caliper Sleeve (Front), LH or RH	16749.08
1982-1983 CJ5, 1982-1986 CJ7, 1982-1986 CJ8, 1984-2001 Cherokee, 1987-2006 Wrangler, 1993-1998 Grand Cherokee, Disc Brake Caliper Anti-Rattle Clip (Front), LH or RH	16749.04
1982-1983 CJ5, 1982-1986 CJ7, 1982-1986 CJ8, 1984-2001 Cherokee, 1987-2006 Wrangler, 1993-1998 Grand Cherokee, Disc Brake Caliper Bleeder Screw (Front), LH or RH	16749.03

R. Wheel Bearings	Part#
1941-1945 MB (Front & Rear), 1945-1945 Ford GPW (Front & Rear), 1945-1949 CJ2A, 1948-1953 CJ3A, 1953-1967 CJ3B, 1950-1952 M38, 1952-1971 M38A1, 1955-1966 CJ5, 1955-1966 CJ6, Wheel Bearing Cone (Front), Inner and Outer, With Dana 25	16706.01
1941-1945 MB (Front & Rear), 1945-1945 Ford GPW (Front & Rear), 1945-1949 CJ2A, 1948-1953 CJ3A, 1953-1967 CJ3B, 1950-1952 M38, 1952-1971 M38A1, 1955-1966 CJ5, 1955-1966 CJ6, Wheel Bearing Cup (Front), Inner and Outer, With Dana 25	16707.01
1960-1967 CJ3B, 1960-1983 CJ5, 1960-1966 CJ6, 1976-1986 CJ7, 1981-1986 CJ8 Wheel Bearing Cone (Front), Inner & Outer With Dana 27 , Outer With Dana 30	16706.02
1960-1967 CJ3B, 1960-1983 CJ5, 1960-1966 CJ6, 1976-1986 CJ7, 1981-1986 CJ8 Wheel Bearing Cup (Front), Inner & Outer With Dana 27 , Outer With Dana 30	16707.02
1976-1983 CJ5, 1976-1986 CJ7, 1981-1986 CJ8 Wheel Bearing Cone (Front), Inner, With Dana 30	16706.03
1976-1983 CJ5, 1976-1986 CJ7, 1981-1986 CJ8 Wheel Bearing Cup (Front), Inner, With Dana 30	16707.03
1984-1989 Cherokee, 1987-1989 Wrangler, Wheel Bearing Assembly (Front), Inner or Outer, With Dana 30	16709.01

* Replaces Teves Style Caliper

Brake & Wheel Components



[S] 16705.01



[T] 16708.01



[U] 16712.01

[V] 16710.01



[V] 16715.01



[W] 16714.01

S. Wheel Hubs

	Part#
1941-1945 MB (Front & Rear), 1945-1945 Ford GPW (Front & Rear), 1945-1949 CJ2A, 1948-1953 CJ3A, 1953-1967 CJ3B, 1950-1952 M38, 1952-1971 M38A1, 1955-1968 CJ5, 1955-1968 CJ6, Wheel Hub (Front)	16705.03
1941-1945 MB (Front & Rear), 1945-1945 Ford GPW (Front & Rear), 1945-1949 CJ2A, 1948-1953 CJ3A, 1953-1967 CJ3B, 1950-1952 M38, 1952-1971 M38A1, 1955-1968 CJ5, 1955-1968 CJ6, Wheel Hub Assembly (Front), With LH Threaded Wheel Studs	16705.01
1941-1945 MB (Front & Rear), 1945-1945 Ford GPW (Front & Rear), 1945-1949 CJ2A, 1948-1953 CJ3A, 1953-1967 CJ3B, 1950-1952 M38, 1952-1971 M38A1, 1955-1968 CJ5, 1955-1968 CJ6, Wheel Hub Assembly (Front), With RH Threaded Wheel Studs	16705.02
1966-1981 CJ5, 1966-1975 CJ6, 1976-1981 CJ7, Wheel Hub (Front), For Models With 6 Bolt Locking Hubs, LH or RH	16705.04
1981-1983 CJ5, 1981-1986 CJ7, 1981-1986 CJ8, Wheel Hub (Front), For Models With 5 Bolt Locking Hubs, LH or RH	16705.05
1990-1999 Wrangler, 1990-1999 Cherokee, 1993-1998 Grand Cherokee, Wheel Hub Assembly (Front), LH or RH	16705.07
2000-2006 Wrangler, 2000-2001 Cherokee, Wheel Hub Assembly (Front), LH or RH	16705.08
2007-2014 Wrangler, Wheel Hub Assembly (Front)	16705.14
1984-1989 Cherokee, 1987-1989 Wrangler, Wheel Hub Assembly (Front), LH or RH	16705.06
1999-2004 Grand Cherokee, Wheel Hub Assembly (Front), LH or RH	16705.09
2005-2010 Grand Cherokee, Wheel Hub Assembly (Front)	16705.16
2005-2010 Grand Cherokee, Wheel Hub Assembly (Rear)	16705.60
2005-2010 Grand Cherokee, Wheel Hub Assembly (Rear) NEW	16705.60
2002-2007 Liberty, Wheel Hub Assembly (Front), With 4 Wheel Disc & ABS, Left	16705.11
2002-2007 Liberty, Wheel Hub Assembly (Front), With 4 Wheel Disc & ABS, Right	16705.12
2002-2005 Liberty, Wheel Hub Assembly (Front), Without ABS, LH or RH	16705.10
2008-2011 Liberty, Wheel hub Assembly (Front)	16705.15
2008-2010 Compass & Patriot, Wheel Bearing Hub, Without AWD NEW	16705.17
2007-2011 Compass & Patriot, Wheel Bearing (Front), LH or RH NEW	16705.18

T. Hub Bearing Oil Seals

	Part#
1941-1945 MB (Front & Rear), 1945-1945 Ford GPW (Front & Rear), 1945-1949 CJ2A, 1948-1953 CJ3A, 1953-1967 CJ3B, 1950-1952 M38, 1952-1971 M38A1, 1955-1968 CJ5, 1955-1968 CJ6, Wheel Hub Bearing Seal (Front), With Dana 25	16708.01
1960-1967 CJ3B, 1960-1976 CJ5, 1960-1975 CJ6, 1976 CJ7, Wheel Hub Bearing Seal (Front), With Dana 27 or Dana 30	16708.02
1974-1991 Cherokee / Grand Wagoneer (SJ), Wheel Hub Bearing Seal (Front)	16708.05
1976-1983 CJ5, 1976-1986 CJ7, 1981-1986 CJ8, Wheel Hub Bearing Seal (Front), With Dana 30	16708.03
1984-1989 Cherokee, 1987-1989 Wrangler, Wheel Hub Bearing Seal (Front), Inner, With Dana 30	16708.04
1984-1989 Cherokee, 1987-1989 Wrangler, Wheel Hub Bearing Seal (Front), Center, With Dana 30	16708.06

U. Bearing Cap

	Part#
1941-1945 MB (Front & Rear), 1945-1945 Ford GPW (Front & Rear), 1945-1949 CJ2A, 1948-1953 CJ3A, 1953-1967 CJ3B, 1950-1952 M38, 1952-1971 M38A1, 1955-1968 CJ5, 1955-1968 CJ6, Wheel Hub Bearing Cap, With Dana 25 or dana 27	16712.01

V. Spindle Nuts

	Part#
1941-1945 MB (Front & Rear), 1945-1945 Ford GPW (Front & Rear), 1945-1949 CJ2A, 1948-1953 CJ3A, 1953-1967 CJ3B, 1950-1952 M38, 1952-1971 M38A1, 1955-1966 CJ5, 1955-1966 CJ6, Spindle Nut Kit (Front), With Dana 25, Dana 27 & Dana 30 *	16710.01
1941-1945 MB (Front & Rear), 1945-1945 Ford GPW (Front & Rear), 1945-1949 CJ2A, 1948-1953 CJ3A, 1953-1967 CJ3B, 1950-1952 M38, 1952-1971 M38A1, 1955-1966 CJ5, 1955-1966 CJ6, Spindle Nut Socket, With Dana 25, Dana 27 & Dana 30	16711.01

W. Wheel Studs

	Part#
1941-1945 MB (Front & Rear), 1945-1945 Ford GPW (Front & Rear), 1945-1949 CJ2A, 1948-1953 CJ3A, Wheel Stud (Front or Rear), LH Thread	16714.01
1941-1945 MB (Front & Rear), 1945-1945 Ford GPW (Front & Rear), 1945-1949 CJ2A, 1948-1953 CJ3A, Wheel Stud (Front or Rear), RH Thread	16714.02
1965-1978 CJ5, 1965-1975 CJ6, 1976-1978 CJ7, Wheel Stud, Front (With Drum Brakes)	16714.03
1972-1983 CJ5, 1972-1975 CJ6, 1976-1986 CJ7, 1981-1986, Wheel Stud, Front (With AMC 20 or Dana 44)	16714.06
1977-1981 CJ5, 1977-1986 CJ7, 1981-1986 CJ8, Wheel Stud, Front (With Disc Brakes)	16714.04
1990-1999 Wrangler, 1993-1999 Cherokee, 1993-1998 Grand Cherokee, Wheel Stud (Front)	16714.07
2001-2002 Wrangler, Wheel Stud, Rear	16714.10
2003-2006 Wrangler, Wheel Stud, Rear	16714.11

Y. Lug Nuts

	Part#
1941-1945 MB (Front & Rear), 1945-1945 Ford GPW (Front & Rear), 1945-1946 CJ2A, Lug Nut (Front or Rear), LH Thread	16715.01
1941-1945 MB (Front & Rear), 1945-1945 Ford GPW (Front & Rear), 1945-1946 CJ2A, Lug Nut (Front or Rear), RH Thread	16715.02
1946-1949 CJ2A, 1948-1953 CJ3A, 1953-1967 CJ3B, 1950-1952 M38, 1952-1971 M38A1, 1955-1971 CJ5, 1955-1971 CJ6, Lug Nut (Front or Rear), LH Thread	16715.03
1946-1949 CJ2A, 1948-1953 CJ3A, 1953-1967 CJ3B, 1950-1952 M38, 1952-1971 M38A1, 1955-1983 CJ5, 1955-1975 CJ6, 1976-1986 CJ7, 1981-1986 CJ8, Lug Nut (Front or Rear), RH Thread	16715.04
1946-1949 CJ2A, 1948-1953 CJ3A, 1953-1967 CJ3B, 1950-1952 M38, 1952-1971 M38A1, 1955-1983 CJ5, 1955-1975 CJ6, 1976-1986 CJ7, 1981-1986 CJ8, Lug Nut (Front or Rear), RH Thread, Chrome	16715.05
1987-2014 Wrangler, 1984-2001 Cherokee, 1993-2010 Grand Cherokee, 2002-2010 Liberty, Lug Nut, RH Thread, Chrome	16715.06
1/2-20 Thread, Black Nut Wheel Lug NEW	16715.07
1/2-20 Thread, Five-Piece Locking Lug Nut Set, Chrome NEW	16715.20
1/2-20 Thread, Five-Piece Locking Lug Nut Set, Black NEW	16715.21
Locking Lug Nut, Rugged Ridge Tire Carrier NEW	16715.22

* Includes 2 Spindle Nuts & 2 Washers



[Z] 16767.01



[Z-1] 16701.01



[Z-3] 16738.01



[Z-2] 16726.09

Z. Drum Brake Kits	Part#
1941-1945 MB, 1945-1945 Ford GPW, 1945-1949 CJ2A, 1948-1953 CJ3A, Brake Drum Rebuild Kit (Front or Rear), 9" x 1-3/4" *	16767.01
1948-1949 CJ2A, 1948-1953 CJ3A, Brake Drum Rebuild Kit (Front or Rear), 9" x 1-3/4" *	16767.02
1953-1967 CJ3B, 1952-1971 M38A1, 1955-1965 CJ5, 1955-1965 CJ6, Brake Drum (Front or Rear), 9" x 1-3/4"	16767.03
1978-1983 CJ5, 1978-1986 CJ7, 1981-1986 CJ8, Brake Drum Rebuild Kit (Rear), 10" x 2"	16766.04
1984-1989 Cherokee, 1987-1989 Wrangler, Brake Drum Rebuild Kit (Rear), 10" x 1-3/4" With Dana 35	16766.02
1986-1989 Cherokee, 1987-1993 Wrangler, Brake Drum Rebuild Kit (Rear), 10" x 2.5" With Dana 44	16766.03
1990-2006 Wrangler, 1990-2001 Cherokee, 1993-1998 Grand Cherokee, Brake Drum Rebuild Kit (Rear), 9" x 2.5" With Dana 35	16766.01
1974-1978 CJ5, 1974-1975 CJ6, 1976-1978 CJ7, Brake Drum Rebuild Kit (Front or Rear), 11" x 2", Finned	16765.01

Z-1. Brake Drums	Part#
1941-1945 MB, 1945-1945 Ford GPW, 1945-1949 CJ2A, 1948-1953 CJ3A, Brake Drum (Front or Rear), 9" x 1-3/4"	16701.01
1946-1955 Station Wagon (2WD with Planar Suspension), 1948-1951 Jeepster, Brake Drum (Front or Rear), 10" x 1-3/4"	16701.11
1946-1964 Truck, 1946-1964 Station Wagon, Brake Drum (Front or Rear), 11" x 2"	16701.10
1953-1967 CJ3B, 1952-1971 M38A1, 1955-1965 CJ5, 1955-1965 CJ6, Brake Drum (Front or Rear), 9" x 1-3/4"	16701.02
1966-1971 CJ5, 1966-1971 CJ6, 1967-1970 Jeepster, Brake Drum (Front or Rear), 10" x 2"	16701.03
1972-1974 CJ5, 1972-1974 CJ6, Brake Drum (Front or Rear), 11" x 2", Unfinned	16701.04
1974-1978 CJ5, 1974-1975 CJ6, 1976-1978 CJ7, Brake Drum (Front or Rear), 11" x 2", Finned	16701.05
1978-1983 CJ5, 1978-1986 CJ7, 1981-1986 CJ8, Brake Drum (Rear), 10" x 2"	16701.06
1987-1989 Wrangler, 1984-1989 Cherokee, Brake Drum (Rear), 10" x 1-3/4" With Dana 35	16701.07
1987-1993 Wrangler, 1986-1989 Cherokee, Brake Drum (Rear), 10" x 2.5" With Dana 44	16701.09
1990-2006 Wrangler, 1990-2001 Cherokee, 1993-1998 Grand Cherokee, Brake Drum (Rear), 9" x 2.5" With Dana 35	16701.08
1974-1978 Cherokee / Grand Cherokee, Brake Drum (Front or Rear), Unfinned	16701.12
1978-1991 Cherokee / Grand Cherokee, Brake Drum (Rear), Finned	16701.13
1991-2001 Cherokee, 1993-1998 Grand Cherokee, Brake Drum (Rear), 10" x 1-3/4"	16701.16
2002 Liberty, Brake Drum (Rear), 10" x 1-3/4"	16701.17
Brake Drum, 07-10 Jeep Compass and Patriot NEW	16701.18

Z-2. Brake Shoes	Part#
1941-1945 MB, 1945-1945 Ford GPW, 1945-1949 CJ2A, 1948-1953 CJ3A, Brake Shoes (Front or Rear), 9" x 1-3/4"	16726.01
1941-1945 MB, 1945-1945 Ford GPW, 1945-1949 CJ2A, 1948-1953 CJ3A, Brake Shoe Linings, (Front or Rear), With Rivets, 9" x 1-3/4"	16727.01
1946-1964 Truck, 1946-1964 Station Wagon, Brake Shoes (Front or Rear), 11" x 2"	16726.11
1953-1967 CJ3B, 1952-1971 M38A1, 1955-1965 CJ5, 1955-1965 CJ6, Brake Shoes (Front or Rear), 9" x 1-3/4"	16726.02
1966-1971 CJ5, 1966-1971 CJ6, 1967-1970 Jeepster, Brake Shoes (Front), 10" x 2"	16726.03
1972-1974 CJ5, 1972-1974 CJ6, Brake Shoes (Front or Rear), 11" x 2"	16726.04
1978-1983 CJ5, 1978-1986 CJ7, 1981-1986 CJ8, Brake Shoes (Rear), 10" x 2"	16726.05
1978-1983 CJ5, 1978-1986 CJ7, 1981-1986 CJ8, Brake Shoes (Rear), 10" x 2", Genuine Bendix Brand UPGRADE	16726.16
1987-1989 Wrangler, 1984-1989 Cherokee, Brake Shoes (Rear), 10" x 1-3/4" With Dana 35	16726.05
1987-1989 Wrangler, 1984-1989 Cherokee, Brake Shoes (Rear), 10" x 1-3/4" With Dana 35, Genuine Bendix Brand Upgrade	16726.16
1987-1993 Wrangler, 1986-1989 Cherokee, Brake Shoes (Rear), 10" x 2.5" With Dana 44	16726.08
1990-2006 Wrangler, 1990-2001 Cherokee, 1993-1998 Grand Cherokee, Brake Shoes (Rear), 9" x 2.5" With Dana 35	16726.06
1990-2006 Wrangler, 1990-2001 Cherokee, 1993-1998 Grand Cherokee, Brake Shoes (Rear), 9" x 2.5" With Dana 35, Genuine Bendix Brand	16726.17
1974-1978 Cherokee / Grand Cherokee, Brake Shoes (Front or Rear), For Unfinned Drums	16726.13
1978-1991 Cherokee / Grand Cherokee, Brake Shoes (Rear), For Finned Drum	16726.12
1991-2001 Cherokee, 1993-1998 Grand Cherokee, Brake Shoes (Rear), 10" x 1-3/4"	16726.14
1991-2001 Cherokee, 1993-1998 Grand Cherokee, Brake Shoes (Rear), 10" x 1-3/4", Genuine Bendix Brand UPGRADE	16726.18
2002 Liberty, Brake Shoes (Rear), 10" x 1-3/4"	16726.15
2007-2012 Compass & Patriot 2WD, Brake Shoes (Rear) NEW	16726.19
1982-1984 DJ5-M (Postal), Brake Shoes (Front), 10.31" OD	16726.09
1982-1984 DJ5-M (Postal), Brake Shoes (Rear), 10.625" OD	16726.10
1946-1955 Wagon, 1948-1951 Jeepster 2WD, Brake Shoes (Front or Rear) NEW	16726.20

Z-3. Brake Shoe Hold Down Kits	Part#
1953-1967 CJ3B, 1952-1971 M38A1, 1955-1965 CJ5, 1955-1965 CJ6, Brake Shoe Hold Down Kit, With 9" Drums	16750.03
1972-1977 CJ5, 1972-1977 CJ6, 1976-1977 CJ7, Brake Shoe Hold Down Kits, For 11" x 2", Fits Front or Rear	16738.01
1978-1983 CJ5, 1978-1986 CJ7, 1981-1986 CJ8, 1984-2001 Cherokee, 1993-1998 Grand Cherokee, 2000-2006 Wrangler, Brake Shoe Hold Down Kits, With 10" Brakes, Front or Rear	16738.02
1987-1989 Wrangler, 1984-1989 Cherokee, Brake Shoe Hold Down Kits, With 10" Brakes, Front or Rear	16738.02
1990-2000 Wrangler, 1990-2001 Cherokee, 1993-1998 Grand Cherokee, Brake Shoe Hold Down Kits, With 10" Brakes, Front or Rear *	16738.03

* CJ2A Before Serial 215469 + CJ2A After Serial 215469 + TJ Before 3/9/00

Brake Components



[Z-4] 16739.01



[Z-5] 16750.13

[Z-7] 16752.24



[Z-6] 16750.01



Z-4. Drum Brake Self Adjusting Hardware Kits

	Part#
1978-1983 CJ5, 1979-1986 CJ7, 1981-1986 CJ8, Drum Brake Self Adjusting Screw w 9" Brakes	16752.24
1972-1977 CJ5, 1972-1977 CJ6, 1976-1977 CJ7, Drum Brake Self Adjusting Hardware Kits, For 11" x 2", Fits Front or Rear, LH	16739.01
1972-1977 CJ5, 1972-1977 CJ6, 1976-1977 CJ7, Drum Brake Self Adjusting Hardware Kits, For 11" x 2", Fits Front or Rear, RH	16739.02
1978-1983 CJ5, 1978-1986 CJ7, 1981-1986 CJ8, 2000-2006 Wrangler, 1984-2001 Cherokee, 1993-1998 Grand Cherokee, Drum Brake Self Adjusting Hardware Kit, With 10" Brakes, Front or Rear, LH	16739.03
1978-1983 CJ5, 1978-1986 CJ7, 1981-1986 CJ8, 2000-2006 Wrangler, 1984-2001 Cherokee, 1993-1998 Grand Cherokee, Drum Brake Self Adjusting Hardware Kit, With 10" Brakes, Front or Rear, RH	16739.04
1990-2000 Wrangler, 1990-2001 Cherokee, 1993-1998 Grand Cherokee, Drum Brake Self Adjusting Hardware Kit, With 9" Brakes, LH	16739.05
1990-2000 Wrangler, 1990-2001 Cherokee, 1993-1998 Grand Cherokee, Drum Brake Self Adjusting Hardware Kit, With 9" Brakes, RH	16739.06

Z-5. Brake Shoe Return Springs

	Part#
1941-1945 MB (Front & Rear), 1945-1945 Ford GPW (Front & Rear), 1945-1949 CJ2A, 1948-1953 CJ3A, 1950-1952 M38, Upper Brake Shoe Return Spring (Front or Rear), 2 Required Per Drum	16750.13
1953-1967 CJ3B, 1952-1971 M38A1, 1955-1965 CJ5, 1955-1965 CJ6, Brake Show Return Spring (Lower)	16750.14
1978-1983 CJ5, 1978-1986 CJ7, 1981-1986 CJ8, 2000-2006 Wrangler, 1984-2001 Cherokee, 1993-1998 Grand Cherokee, Brake Shoe Return Spring, With 10" Brakes	16752.04
1990-2000 Wrangler, 1990-2001 Cherokee, 1993-1998 Grand Cherokee, Brake Shoe Return Spring, With 9" Brakes	16752.14

Z-6. Brake Hold Down Springs

	Part#
1941-1945 MB (Front & Rear), 1945-1945 Ford GPW (Front & Rear), 1945-1949 CJ2A, 1948-1953 CJ3A, 1950-1952 M38, Brake Show Adjusting Anchor Cam (Front or Rear), 2 Required Per Drum	16750.01
1941-1945 MB (Front & Rear), 1945-1945 Ford GPW (Front & Rear), 1945-1949 CJ2A, 1948-1953 CJ3A, 1950-1952 M38, Brake Show Adjusting Anchor Pin (Front or Rear), 2 Required Per Drum	16750.02
1978-1983 CJ5, 1978-1986 CJ7, 1981-1986 CJ8, 2000-2006 Wrangler, 1984-2001 Cherokee, 1993-1998 Grand Cherokee, Brake, Shoe Retaining Plate, With 10" Brakes, Front or Rear, RH	16751.01
1982-1983 CJ5, 1982-1986 CJ7, 1982-1986 CJ8, 1987-1989 Wrangler, Brake Shoe Hold Down Cups	16752.01
1982-1983 CJ5, 1982-1986 CJ7, 1982-1986 CJ8, Brake Shoe Equalizer Spring	16752.03
1982-1983 CJ5, 1982-1986 CJ7, 1982-1986 CJ8, 1987-1989 Wrangler, Brake Shoe Hold Down Spring	16752.02
1990-2000 Wrangler, 1990-2001 Cherokee, 1993-1998 Grand Cherokee, Brake Shoe Hold Down Spring, With 9" Drums	16752.12
1990-2000 Wrangler, 1990-2001 Cherokee, 1993-1998 Grand Cherokee, Brake Shoe Equalizer Spring, With 9" Drums	16752.20

[Z-4] 16739.02



Z-7. Drum Brake Self Adjusting Cables

	Part#
1978-1983 CJ5, 1978-1986 CJ7, 1981-1986 CJ8, Drum Brake Self Adjusting Screw, With 9" Brakes	16752.24
1978-1983 CJ5, 1978-1986 CJ7, 1981-1986 CJ8, 2000-2006 Wrangler, 1984-2001 Cherokee, 1993-1998 Grand Cherokee, Brake, Wheel Cylinder Link, With 10" Brakes, Front or Rear, RH	16751.02
1982-1983 CJ5, 1982-1986 CJ7, 1982-1986 CJ8, 1987-1989 Wrangler, 1984-1989 Cherokee, Drum Brake Self Adjusting Screw, LH	16752.09
1982-1983 CJ5, 1982-1986 CJ7, 1982-1986 CJ8, 1987-1989 Wrangler, 1984-1989 Cherokee, Drum Brake Self Adjusting Screw, RH	16752.10
1982-1983 CJ5, 1982-1986 CJ7, 1982-1986 CJ8, 1987-1989 Wrangler, 1984-1989 Cherokee, Brake Shoe Hold Down Spring, LH	16752.05
1982-1983 CJ5, 1982-1986 CJ7, 1982-1986 CJ8, 1987-1989 Wrangler, 1984-1989 Cherokee, Drum Brake Self Adjusting Lever, LH or RH	16752.06
1982-1983 CJ5, 1982-1986 CJ7, 1982-1986 CJ8, 1987-1989 Wrangler, 1984-1989 Cherokee, Brake Drum Adjuster Spring, LH or RH	16752.11
1982-1983 CJ5, 1982-1986 CJ7, 1982-1986 CJ8, 1987-1989 Wrangler, 1984-1989 Cherokee, Drum Brake Self Adjusting Cable Guide, LH or RH	16752.08
1982-1983 CJ5, 1982-1986 CJ7, 1982-1986 CJ8, 1987-1989 Wrangler, 1984-1989 Cherokee, Drum Brake Self Adjusting Cable, LH or RH	16752.07
1990-2000 Wrangler, 1990-2001 Cherokee, 1993-1998 Grand Cherokee, Drum Brake Self Adjusting Screw, With 9" Brakes, LH	16752.16
1990-2000 Wrangler, 1990-2001 Cherokee, 1993-1998 Grand Cherokee, Drum Brake Self Adjusting Screw, With 9" Brakes, RH *	16752.15
1990-2000 Wrangler, 1990-2001 Cherokee, 1993-1998 Grand Cherokee, Drum Brake Self Adjusting Lever, With 9" Brakes, LH or RH *	16752.18
1990-2000 Wrangler, 1990-2001 Cherokee, 1993-1998 Grand Cherokee, Drum Brake Self Adjusting Cable Guide, With 9" Brakes, LH or RH *	16752.13
1990-2000 Wrangler, 1990-2001 Cherokee, 1993-1998 Grand Cherokee, Drum Brake Self Adjusting Cable, With 9" Brakes, LH or RH *	16752.17
1990-2000 Wrangler, 1990-2001 Cherokee, 1993-1998 Grand Cherokee, Brake Drum Adjuster Spring, With 9" Brakes, LH or RH	16752.19
1991-2001 Cherokee, 1993-1998 Grand Cherokee, Drum Brake Self Adjusting Lever, With 10" Brakes, LH	16752.23
1991-2001 Cherokee, 1993-1998 Grand Cherokee, Drum Brake Self Adjusting Lever, With 10" Brakes, RH	16752.22
1991-2001 Cherokee, 1993-1998 Grand Cherokee, Drum Brake Self Adjusting Cable, With 10" Brakes, LH or RH	16752.21

* TJ Before 3/9/00



[Z-8] 16752.02



[Z-9] 16760.07



[Z-10] 16704.01



[Z11] 11212.01



[Z-12] 16702.03



[Z-13] 16703.01



Z-8. Brake Hold Down Springs

Part#	Description
16750.01	1941-1945 MB (Front & Rear), 1945-1945 Ford GPW (Front & Rear), 1945-1949 CJ2A, 1948-1953 CJ3A, 1950-1952 M38, Brake Show Adjusting Anchor Cam (Front or Rear), 2 Required Per Drum
16750.02	1941-1945 MB (Front & Rear), 1945-1945 Ford GPW (Front & Rear), 1945-1949 CJ2A, 1948-1953 CJ3A, 1950-1952 M38, Brake Show Adjusting Anchor Pin (Front or Rear), 2 Required Per Drum
16751.01	1978-1983 CJ5, 1978-1986 CJ7, 1981-1986 CJ8, 2000-2006 Wrangler, 1984-2001 Cherokee, 1993-1998 Grand Cherokee, Brake, Shoe Retaining Plate, With 10" Brakes, Front or Rear, RH
16752.01	1982-1983 CJ5, 1982-1986 CJ7, 1982-1986 CJ8, 1987-1989 Wrangler, Brake Shoe Hold Down Cups
16752.03	1982-1983 CJ5, 1982-1986 CJ7, 1982-1986 CJ8, Brake Shoe Equalizer Spring
16752.02	1982-1983 CJ5, 1982-1986 CJ7, 1982-1986 CJ8, 1987-1989 Wrangler, Brake Shoe Hold Down Spring
16752.12	1990-2000 Wrangler, 1990-2001 Cherokee, 1993-1998 Grand Cherokee, Brake Shoe Hold Down Spring, With 9" Drums
16752.20	1990-2000 Wrangler, 1990-2001 Cherokee, 1993-1998 Grand Cherokee, Brake Shoe Equalizer Spring, With 9" Drums *
16746.05	2007-2014 Wrangler, 2008-2012 Liberty, Disc Brake Pad Spring Kit NEW

Z-9. Disc Brake Kits

Part#	Description
16760.07	1976-1978 CJ5, 1976-1978 CJ7, Disc Brake Rebuild Kit (Front), For 6-Bolt Calipers
16760.06	1978-1981 CJ5, 1978-1981 CJ7, 1981 CJ8, Disc Brake Rebuild Kit (Front), For 2-Bolt Calipers
16760.05	1982-1983 CJ5, 1982-1986 CJ7, 1982-1986 CJ8, Disc Brake Rebuild Kit (Front)
16760.03	1987-1989 Wrangler, 1984-1989 Cherokee (4WD), Disc Brake Rebuild Kit (Front)
16760.02	1990-1999 Wrangler, 1990-1999 Cherokee (4WD), 1993-1998 Grand Cherokee, Disc Brake Rebuild Kit (Front)
16760.01	2000-2006 Wrangler, 2000-2001 Cherokee, Disc Brake Rebuild Kit (Front)
16761.01	2003-2006 Wrangler, Disc Brake Rebuild Kit (Rear)
16762.01	2000-2006 Wrangler, Premium Brake Service Kit (Front) NEW
16760.04	1999-2002 Grand Cherokee, Disc Brake Rebuild Kit (Front)

Z-10. Rotor & Hub Assemblies

Part#	Description
16704.01	1976-1978 CJ5, 1976-1978 CJ7, Disc Brake Rotor & Hub Kit (Front), Unassembled (For 6-Bolt Calipers)
16704.02	1978-1981 CJ5, 1978-1981 CJ7, 1981 CJ8, Disc Brake Rotor & Hub Assembly (Front), (For 2-Bolt Calipers with 6 Bolt Hub)
16704.04	1981-1983 CJ5, 1981-1986 CJ7, 1981-1986 CJ8, Disc Brake Rotor & Hub Kit (Front), Unassembled (For 2-Bolt Calipers with 5 Bolt Hub)
16704.05	1981-1983 CJ5, 1981-1986 CJ7, 1981-1986 CJ8, Disc Brake Rotor & Hub Assembly (Front), (For 2-Bolt Calipers with 5 Bolt Hub)
16705.07	1990-2000 Jeep Models, Hub Assembly (Front) NEW
16705.14	2007-2014 Jeep Wrangler, Hub Assembly (Front) NEW

Z-11. Disc Brake Rotor Splash Shields

Part#	Description
11212.01	1976-1978 CJ5, 1976-1978 CJ7, Disc Brake Rotor Splash Shields (Front), For 6-Bolt Calipers, Black Powder Coated UPGRADE
11121.01	1976-1978 CJ5, 1976-1978 CJ7, Disc Brake Rotor Splash Shields (Front), For 6-Bolt Calipers, Stainless Steel UPGRADE
11212.02	1978-1983 CJ5, 1978-1986 CJ7, 1981-1986 CJ8, Disc Brake Rotor (Front), For 2-Bolt Calipers, Black Powder Coated UPGRADE
11121.02	1978-1983 CJ5, 1978-1986 CJ7, 1981-1986 CJ8, Disc Brake Rotor (Front), For 2-Bolt Calipers, Stainless Steel UPGRADE

Z-12. Disc Brake Rotors - Front

Part#	Description
16702.06	1974-1991 Cherokee / Grand Wagoneer, Disc Brake Rotor (Front)
16702.01	1976-1978 CJ5, 1976-1978 CJ7, Disc Brake Rotor (Front), For 6-Bolt Calipers
16702.02	1978-1981 CJ5, 1978-1981 CJ7, 1981 CJ8, Disc Brake Rotor (Front), For 2-Bolt Calipers
16702.03	1984-1989 Cherokee (4WD Only), 1987-1989 Wrangler, Disc Brake Rotor (Front)
16702.07	1986-1992 Cherokee (2WD), Disc Brake Rotor (Front)
16702.04	1990-1999 Wrangler, 1990-1999 Cherokee (4WD Only), Disc Brake Rotor (Front)
16702.05	2000-2006 Wrangler, 2000-2001 Cherokee, Disc Brake Rotor (Front)
16702.12	2007-2014 Wrangler, Disc Brake Rotor (Front), With Dana 30
16702.15	2008-2011 Jeep Wrangler, BR6, Disc Brake Rotor (Front) NEW
16702.08	1999-2004 Grand Cherokee, Disc Brake Rotor (Front)
16702.10	2005-2010 Grand Cherokee, Disc Brake Rotor (Front) +
16702.11	2006-2010 Grand Cherokee SRT8, Disc Brake Rotor (Front)
16702.14	2007-2008 Jeep Compass & Patriot, Disc Brake Rotor (Front) NEW
16702.16	2011-2013 Jeep Grand Cherokee, Disc Brake Rotor (Front) NEW
16702.09	2002-2007 Liberty, Disc Brake Rotor (Front)

Z-13. Disc Brake Rotors - Rear

Part#	Description
16703.05	2007-2014 Wrangler, Disc Brake Rotor (Rear)
16703.01	1993-1998 Grand Cherokee, Disc Brake Rotor (Rear)
16703.02	1999-2004 Grand Cherokee, Disc Brake Rotor (Rear)
16703.04	2005-2010 Grand Cherokee, Disc Brake Rotor (Rear) +
16703.07	2011-2013 Jeep Grand Cherokee, Disc Brake Rotor (Rear) NEW
16703.06	2007-2008 Jeep Compass & Patriot, Disc Brake Rotor (Rear) NEW
16703.03	2002-2007 Liberty, 2003-2006 Wrangler, Disc Brake Rotor (Front)

* TJ Before 3/9/00 + Except SRT8

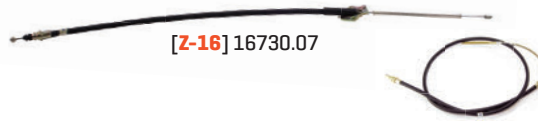
Brake Components



[Z-14] 16728.01



[Z-15] 16729.06



[Z-16] 16730.07

[Z-16] 16730.04

Z-14. Disc Brake Pads - Front

	Part#
1974-1991 Cherokee / Grand Wagoneer, Disc Brake Pads (Front)	16728.05
1976-1978 CJ5, 1976-1978 CJ7, Disc Brake Pads (Front), For 6-Bolt Caliper	16728.01
1978-1981 CJ5, 1978-1981 CJ7, 1981 CJ8, Disc Brake Pads (Front), For 2-Bolt Calipers	16728.02
1978-1981 CJ5, 1978-1981 CJ7, 1981 CJ8, Disc Brake Pads (Front), For 2-Bolt Calipers, Ceramic, Riveted, Genuine Bendix Brand UPGRADE	16728.11
1982-1983 CJ5, 1982-1986 CJ7, 1982-1986 CJ8, 1984-1989 Cherokee, 1987-1989 Wrangler, Disc Brake Pads (Front), Semi-Metallic	16728.03
1982-1983 CJ5, 1982-1986 CJ7, 1982-1986 CJ8, 1984-1989 Cherokee, 1987-1989 Wrangler, Disc Brake Pads (Front), Titanium	16728.07
1982-1983 CJ5, 1982-1986 CJ7, 1982-1986 CJ8, 1984-1989 Cherokee, 1987-1989 Wrangler, Disc Brake Pads (Front), Semi-Metallic, Riveted, Genuine Bendix Brand UPGRADE	16728.12
1990-2006 Wrangler, 1990-2001 Cherokee (4WD), 1993-1998 Grand Cherokee, Disc Brake Pads (Front), Semi-Metallic	16728.04
1990-2006 Wrangler, 1990-2001 Cherokee (4WD), 1993-1998 Grand Cherokee, Disc Brake Pads (Front), Titanium	16728.08
1990-2006 Wrangler, 1990-2001 Cherokee (4WD), 1993-1998 Grand Cherokee, Disc Brake Pads (Front), Semi-Metallic, Genuine Bendix UPGRADE	16728.14
2007-2014 Wrangler, Disc Brake Pads (Front)	16728.15
1999-2002 Grand Cherokee, Disc Brake Pads (Front), Teves Style, Semi-Metallic	16728.06
1999-2002 Grand Cherokee, Disc Brake Pads (Front), Teves Style, Semi-Metallic, Genuine Bendix	16728.13
2006-2009 Grand Cherokee (SRT8), Disc Brake Pads (Front)	16728.16
1999-2004 Grand Cherokee, Disc Brake Pads (Front) NEW	16728.19
2011-2013 Grand Cherokee, Disc Brake Pads (Front) NEW	16728.21
2007-2010 Compass & Patriot, Disc Brake Pads (Front) NEW	16728.18
2002-2007 Liberty, Disc Brake Pads (Front)	16728.09
2002-2007 Liberty, Disc Brake Pads (Front), Genuine Bendix UPGRADE	16728.17

Z-15. Disc Brake Pads - Rear

	Part#
1994 Grand Cherokee, Disc Brake Pads (Rear) Semi-Metallic	16729.02
1994 Grand Cherokee, Disc Brake Pads (Rear) Semi-Metallic, Genuine Bendix UPGRADE	16729.08
1995-1998 Grand Cherokee, Disc Brake Pads (Rear) Semi-Metallic	16729.01
1995-1998 Grand Cherokee, Disc Brake Pads (Rear) Titanium	16729.05
1995-1998 Grand Cherokee, Disc Brake Pads (Rear) Semi-Metallic, Genuine Bendix UPGRADE	16729.08
1999-2004 Grand Cherokee, Disc Brake Pads (Rear) Titanium	16729.04
1999-2004 Grand Cherokee, Disc Brake Pads (Rear) Semi-Metallic, Genuine Bendix UPGRADE	16729.09
2003-2006 Wrangler, Disc Brake Pads (Rear) Semi-Metallic	16729.06
2003-2006 Wrangler, Disc Brake Pads (Rear) Semi-Metallic, Genuine Bendix UPGRADE	16729.10
2007-2014 Wrangler, 2008-2011 Liberty, Disc Brake Pads (Rear), Semi-Metallic	16729.11
2003-2007 Liberty, Disc Brake Pads (Rear) Semi-Metallic	16729.07
2005-2010 Grand Cherokee, 2006-2009 Commander, Disc Brake Pads (Rear) Semi-Metallic *	16279.08
2006-2010 Grand Cherokee SRT8, Disc Brake Pads (Rear) Semi-Metallic	16279.09
2009-2012 Compass & Patriot, Disc Brake Pads (Rear) NEW	16721.13
2007-2008 Compass & Patriot, Disc Brake Pads (Rear) NEW	16729.12

Z-16. Emergency Brake Cables

	Part#
1942-1945 MB, 1942-1945 Ford GPW, 1945-1948 CJ2A, Emergency Brake Cable (42.25") *	16730.01
1948-1949 CJ2A, 1948-1953 CJ3A, 1953-1967 CJ3B, Emergency Brake Cable (44.5") *	16730.02
1952-1964 Truck, Emergency Brake Cable (120") NEW	16730.14
1952-1964 Station Wagon, Emergency Brake Cable (120") NEW	16730.15
1955-1971 CJ5, Emergency Brake Cable (63-5/8")	16730.03
1972-1975 CJ5, Emergency Brake Cable (Front), To Equalizer NEW	16730.04
1972-1975 CJ5, Emergency Brake Cable (Rear), LH or RH NEW	16730.05
1976-1983 CJ5, Emergency Brake Cable (Front), To Equalizer	16730.10
1976-1986 CJ7, Emergency Brake Cable (Front), To Equalizer	16730.11
1976-1978 CJ5, 1976-1978 CJ7, Emergency Brake Cable (Rear), With 11" Brakes, Left	16730.07
1976-1978 CJ5, 1976-1978 CJ7, Emergency Brake Cable (Rear), With 11" Brakes, Right	16730.06
1976-1978 CJ5, 1976-1978 CJ7, Emergency Brake Cable (Rear), With 11" Brakes, Left	16730.09
1976-1978 CJ5, 1976-1978 CJ7, Emergency Brake Cable (Rear), With 11" Brakes, Right	16730.08
1981-1986 CJ8, Emergency Brake Cable (Front), To Equalizer	16730.12
1987-1990 Wrangler, Emergency Brake Cable (Front), To Equalizer	16730.17
1987-1989 Wrangler, Emergency Brake Cable (Rear), Left	16730.19
1987-1989 Wrangler, Emergency Brake Cable (Rear), Right	16730.18
1990 Wrangler, Emergency Brake Cable (Rear), Left	16730.21
1990 Wrangler, Emergency Brake Cable (Rear), Right	16730.20
1991-1995 Wrangler, Emergency Brake Cable (Front), To Equalizer	16730.22
1991-1995 Wrangler, Emergency Brake Cable (Rear), Left	16730.25
1991-1995 Wrangler, Emergency Brake Cable (Rear), Right	16730.24
1997-2006 Wrangler, Emergency Brake Cable (Rear), With Rear Drums, Without ABS, LH or RH	16730.26
1997-2006 Wrangler, Emergency Brake Cable (Front), To Equalizer	16730.33
2003-2006 Wrangler, Emergency Brake Cable (Rear), With Rear Drums, With ABS, LH or RH	16730.26
2003-2006 Wrangler, Emergency Brake Cable (Rear) (Rear), With Rear Disc, With ABS, Left	16730.47
2003-2006 Wrangler, Emergency Brake Cable (Rear) (Rear), With Rear Disc, With ABS, Right	16730.48
2004-2006 Wrangler Unlimited, Emergency Brake Cable (Rear), With Rear Disc, With ABS, Left	16730.53
2004-2006 Wrangler Unlimited, Emergency Brake Cable (Rear), With Rear Disc, With ABS, Right	16730.52
1984-1986 Cherokee, Emergency Brake Cable (Rear), LH or RH	16730.32
1987-1989 Cherokee, Emergency Brake Cable (Rear), LH or RH	16730.27
1990-1991 Cherokee, Emergency Brake Cable (Rear), LH or RH	16730.28
1992-1996 Cherokee, Emergency Brake Cable (Rear), LH or RH	16730.29
1997-2001 Cherokee, Emergency Brake Cable (Rear), LH or RH	16730.30
1993-1998 Grand Cherokee, Emergency Brake Cable (Front), To Equalizer	16730.31
1993-1998 Grand Cherokee, Emergency Brake Cable (Rear), With Drums Brakes, Left	16730.49
1993-1998 Grand Cherokee, Emergency Brake Cable (Rear), With Drums Brakes, Left	16730.56
1994-1998 Grand Cherokee, Emergency Brake Cable (Rear), With Disc Brakes, Left	16730.50
1994-1998 Grand Cherokee, Emergency Brake Cable (Rear), With Disc Brakes, Left	16730.51
1999-2004 Grand Cherokee, Emergency Brake Cable (Front), To Equalizer	16730.34
1999-2001 Grand Cherokee, Emergency Brake Cable (Rear), Left	16730.39
1999-2001 Grand Cherokee, Emergency Brake Cable (Rear), Right	16730.40
2005-2009 Grand Cherokee, Emergency Brake Cable (Front), To Equalizer	16730.35
2005-2009 Grand Cherokee, Emergency Brake Cable (Rear), LH or RH	16730.36
2002 Liberty, Emergency Brake Cable (Rear), Left	16730.41
2002 Liberty, Emergency Brake Cable (Rear), Right	16730.42
2003-2005 Liberty, Emergency Brake Cable (Rear), Left	16730.45
2003-2005 Liberty, Emergency Brake Cable (Rear), Right	16730.46
1982-1984 DJ5-M (Postal), Emergency Brake Cable (Rear), LH or RH	16730.13

* Except SRT8 + CJ2A Before Serial #183498 • CJ2A After Serial #183498



[Z-17] 16756.01



[Z-21] 16753.03



[Z-21] 16750.12



[Z-18] 16751.03



[Z-19] 16755.01



[Z-22] 16750.07



[Z-20] 16731.02



[Z-20] 16731.01



[Z-22] 16750.04

Z-17. Emergency Brake Equalizer

Part#

1976-1983 CJ5, 1976-1986 CJ7, 1981-1986 CJ8, Emergency Brake Equalizer	16756.01
1987-1992 Wrangler, 1987-1990 Cherokee, Emergency Brake Equalizer	16751.14
1987-1995 Wrangler, Emergency Brake Equalizer Retainer Clip (Front), To Front Cable	16751.11

Z-18. Emergency Brake Levers

Part#

1972-1978 CJ5, 1972-1975 CJ6, 1976-1978 CJ7, Emergency Brake Lever, With 11" Brakes, Left	16751.03
1972-1978 CJ5, 1972-1975 CJ6, 1976-1978 CJ7, Emergency Brake Lever, With 11" Brakes, Right	16751.04
1978-1983 CJ5, 1978-1986 CJ6, 1978-1986 CJ7, 1987-1989 Wrangler, Emergency Brake Lever Bar, With 10" Brakes, LH or RH	16751.06
1972-1978 CJ5, 1972-1975 CJ6, 1976-1978 CJ7, Emergency Brake Lever Bar, With 11" Brakes, LH or RH	16751.05
1984-1989 Cherokee, 1987-1989 Wrangler, Emergency Brake Lever, Left	16751.13
1984-1989 Cherokee, 1987-1989 Wrangler, Emergency Brake Lever, Right	16751.12

Z-19. Emergency Brake Return Springs

Part#

1941-1945 MB, 1945-1945 Ford GPW, 1945-1949 CJ2A, 1948-1953 CJ3A, 1950-1952 M38, 1952-1971 M38A1, 1953-1967 CJ3B, 1955-1965 CJ5, 1955-1965 CJ6, Emergency Brake Return Spring (Anchor Side)	16755.01
1941-1945 MB, 1945-1945 Ford GPW, 1945-1949 CJ2A, 1948-1953 CJ3A, 1950-1952 M38, 1952-1971 M38A1, 1953-1967 CJ3B, 1955-1965 CJ5, 1955-1965 CJ6, Emergency Brake Return Spring (Adjusting Side)	16755.02
2007-2014 Wrangler, 2008-2013 Liberty, Emergency Brake Shoe NEW	16731.08
2007-2010 Compass & Patriot, With Rear Drum, Emergency Brake Shoe NEW	16731.09

Z-20. Emergency Brake Shoes

Part#

1941-1945 MB, 1945-1945 Ford GPW, 1945-1949 CJ2A, 1948-1953 CJ3A, 1950-1952 M38, 1952-1971 M38A1, 1953-1967 CJ3B, 1955-1971 CJ5, 1955-1971 CJ6, Emergency Brake Shoes	16731.01
1994 Grand Cherokee, Emergency Brake Shoes *	16731.07
1994-1998 Grand Cherokee, Emergency Brake Shoes +	16731.02
1999-2004 Grand Cherokee, Emergency Brake Shoes	16731.05
2005-2010 Grand Cherokee, 2005-2010 Commander, Emergency Brake Shoes	16731.06
2003-2006 Liberty, 2004-2006 Wrangler, Emergency Brake Shoes	16731.03

Z-21. Brake Pedal Pads

Part#

1941-1945 MB, 1945-1945 Ford GPW, Brake Pedal (Steel)	16750.12
1945-1949 CJ2A, 1948-1953 CJ3A, 1950-1952 M38, 1952-1971 M38A1, 1953-1967 CJ3B, 1955-1983 CJ5, 1955-1975 CJ6, 1976-1986 CJ7, 1981-1986 CJ8, Brake Pedal / Clutch Pad (With Manual Transmission)	16753.01
1972-1983 CJ5, 1972-1975 CJ6, 1976-1986 CJ7, 1981-1986 CJ8, 1987-1995 Wrangler, Emergency Brake Pedal Pad	16751.07
1987-2006 Wrangler, 1987-2001 Cherokee, Brake Pedal / Clutch Pad (With Manual Transmission)	16753.03
1987-2006 Wrangler, 1987-2001 Cherokee, 1993-1998 Grand Cherokee, Brake Pedal (With Automatic Transmission)	16753.02
1997-2006 Wrangler 1984-2001 Cherokee, Brake Pedal NEW	16753.04

Z-22. Brake Pedal Components

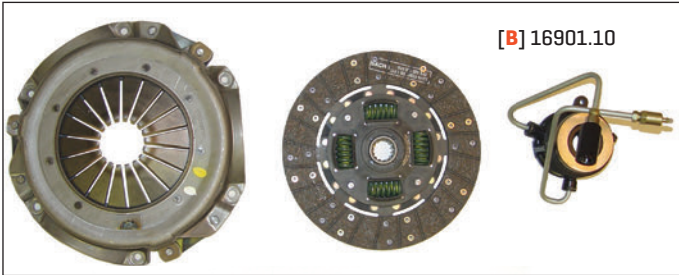
Part#

1941-1945 MB, 1945-1945 Ford GPW, 1945-1949 CJ2A, 1948-1953 CJ3A, 1950-1952 M38, 1952-1971 M38A1, 1953-1967 CJ3B, 1955-1965 CJ5, 1955-1965 CJ6, Brake Pedal Arm	16750.04
1941-1945 MB, 1945-1945 Ford GPW, 1945-1949 CJ2A, 1948-1953 CJ3A, 1950-1952 M38, 1952-1971 M38A1, 1953-1967 CJ3B, 1955-1965 CJ5, 1955-1965 CJ6, Brake Pedal Return Spring	16750.06
1941-1945 MB, 1945-1945 Ford GPW, 1945-1949 CJ2A, 1948-1953 CJ3A, 1950-1952 M38, 1952-1971 M38A1, 1953-1967 CJ3B, 1955-1965 CJ5, 1955-1965 CJ6, Brake / Clutch Pedal Cross Shaft	16750.07
1941-1945 MB, 1945-1945 Ford GPW, 1945-1949 CJ2A, 1948-1953 CJ3A, 1950-1952 M38, 1952-1971 M38A1, 1953-1967 CJ3B, 1955-1965 CJ5, 1955-1965 CJ6, Brake / Clutch Pedal Rod Seal Kit (Draft Kit)	16750.09

* Before VIN #358321 + After VIN # 358321



OMIX-ADA, Inc.



[B] 16901.10



[C] 16902.03



[D] 16903.02

A. Yokes	Part#
1941-1971 CJ, Front Dana 25/27, Rear Dana 27, Yoke [10 Spline]	16580.04
1946-1971 CJ, Front Dana 27 Axle, Dana 18/20 and Quadratrac Transfer case, Yoke [10 Spline]	16580.01
1946-1971 CJ, Dana 18, Yoke	18670.27
1972-1986 CJ, Dana 30, Yoke [u-bolt style] [with Larger Dust Shield]	16580.40

B. Regular Clutch Kits	Part#
1946-1967 CJ with 4 Cylinder 134 "L" or "F" Head Motor, 8 1/2 inch Regular Clutch Kit	16901.01
1967-1971 CJ with 4 Cylinder 134 "L" or "F" Head Motor, 9 1/4 inch Regular Clutch Kit	16901.02
1972-1975 CJ with 6 or 8 Cylinder, 11 inch Regular Clutch Kit	16901.05
1972-1975 CJ with 6 or 8 Cylinder, 10.5 inch Regular Clutch Kit	16901.06
1976-1979 CJ with 6 or 8 Cylinder, 10.5 inch Regular Clutch Kit	16901.07
1980-1981 CJ with 6 or 8 Cylinder, 10.5 inch Regular Clutch Kit	16901.08
1980-1983 CJ with 4 Cylinder GM 151, Regular Clutch Kit	16901.03
1982-1986 CJ with 6 or 8 Cylinder, 10.5 inch Regular Clutch Kit	16901.09
1987-1989 Wrangler with 6 Cylinder, Peugeot Transmission, Regular Clutch Kit	16901.15
1987-1990 Wrangler, Cherokee with 4 Cylinder, Regular Clutch Kit	16901.10
1989-1992 Wrangler, Cherokee with 6 Cylinder, Regular Clutch Kit	16901.16
1991-1992 Wrangler, Cherokee with 4 Cylinder, Regular Clutch Kit	16901.11
1993 Wrangler, Cherokee with 4 Cylinder, Regular Clutch Kit	16901.12
1993 Wrangler, Cherokee with 6 Cylinder, Regular Clutch Kit	16901.17
1994-2006 Wrangler, 1994-2001 Cherokee with 4 Cylinder, Regular Clutch Kit	16901.13
1994-1999 Wrangler, Cherokee, 1993-1998 Grand Cherokee with 6 Cylinder, Regular Clutch Kit	16901.18
1994-2006 Wrangler, 1994-1997 Cherokee, 1993-1994 Grand Cherokee with 6 Cylinder, Regular Clutch Kit	16901.19
2002-2004 Liberty with 4 Cylinder, Master Clutch Kit	16901.21
2002-2004 Liberty with 6 Cylinder, Master Clutch Kit	16901.20

C. Master Clutch Kits	Part#
1946-1967 CJ with 4 Cylinder 134 "L" or "F" Head Motor, 8 1/2 inch Master Clutch Kit	16902.01
1967-1971 CJ with 4 Cylinder 134 "L" or "F" Head Motor, 9 1/4 inch Master Clutch Kit	16902.02
1972-1975 CJ with 6 or 8 Cylinder, 11 inch Master Clutch Kit	16902.05
1972-1975 CJ with 6 or 8 Cylinder, 10.5 inch Master Clutch Kit	16902.06
1976-1979 CJ with 6 or 8 Cylinder, 10.5 inch Master Clutch Kit (Includes: Cover, Disc, Throw Out Bearing, Fork and Pilot Bearing)	16902.07
1980-1981 CJ with 6 or 8 Cylinder, 10.5 inch Master Clutch Kit (Includes: Cover, Disc, Throw Out Bearing, Fork and Pilot Bearing)	16902.08
1980-1983 CJ with 4 Cylinder GM 151, Master Clutch Kit (Includes: Cover, Disc, Throw Out Bearing, Fork and Pilot Bearing)	16902.03
1982-1986 CJ with 6 or 8 Cylinder, 10.5 inch Master Clutch Kit (Includes: Cover, Disc, Throw Out Bearing, Fork and Pilot Bearing)	16902.09
1987-1989 Wrangler, 1987-1989 Cherokee with 6 Cylinder, Peugeot Transmission, Master Clutch Kit (Includes: Cover, Disc, Throw Out Bearing, Fork and Pilot Bearing)	16902.15
1987-1990 Wrangler, 1987-1990 Cherokee with 4 Cylinder, Master Clutch Kit (Includes: Cover, Disc, Throw Out Bearing, Fork and Pilot Bearing)	16902.10
1989-1991 Wrangler, 1989-1991 Cherokee with 6 Cylinder, Master Clutch Kit (Includes: Cover, Disc, Throw Out Bearing, Fork and Pilot Bearing)	16902.16
1991-1992 Wrangler, 1991-1992 Cherokee with 4 Cylinder, Master Clutch Kit (Includes: Cover, Disc, Throw Out Bearing, Fork and Pilot Bearing)	16902.11
1992 Wrangler, 1992 Cherokee with 6 Cylinder, Master Clutch Kit (Includes: Cover, Disc, Throw Out Bearing, Fork and Pilot Bearing)	16902.17
1993 Wrangler, 1993 Cherokee with 4 Cylinder, Master Clutch Kit (Includes: Cover, Disc, Throw Out Bearing, Fork and Pilot Bearing)	16902.12
1993 Wrangler, 1993 Cherokee with 6 Cylinder, Master Clutch Kit (Includes: Cover, Disc, Throw Out Bearing, Fork and Pilot Bearing)	16902.18
1994-2006 Wrangler, 1994-2001 Cherokee with 4 Cylinder, Master Clutch Kit (Includes: Cover, Disc, Throw Out Bearing, Fork and Pilot Bearing)	16902.13
1994-1999 Wrangler, 1994-1999 Cherokee, 1993-1998 Grand Cherokee with 6 Cylinder, Master Clutch Kit (Includes: Cover, Disc, Throw Out Bearing, Fork and Pilot Bearing)	16902.19

D. Junior Clutch Kits	Part#
1987-2006 Wrangler, 1994-1997 Cherokee, 1993-1994 Grand Cherokee with 6 Cylinder, Junior Clutch Kit (Includes: Cover and Disk Only)	16903.03
1991-2001 Wrangler, 1991-1996 Cherokee with 4 Cylinder, Junior Clutch Kit (Includes: Cover and Disk Only)	16903.01
2003-2006 Wrangler, 2005 Liberty with 4 Cylinder, Junior Clutch Kit (Includes: Cover and Disk Only)	16903.07
1991-1996 Cherokee with 2.1L Diesel, Junior Clutch Kit (Includes: Cover and Disk Only)	16903.02
2002-2004 Liberty with 4 Cylinder, Junior Clutch Kit (Includes: Cover and Disk)	16903.06
2002-2004 Liberty with 6 Cylinder, Junior Clutch Kit (Includes: Cover and Disk)	16903.05

E. Clutch Cover	Part#
1946-1967 CJ with 4 Cylinder 134 "L" or "F" Head Motor, 8 1/2 inch Clutch Cover	16904.01
1967-1971 CJ with 4 Cylinder 134 "L" or "F" Head Motor, 9 1/4 inch Clutch Cover	16904.02
1972-1975 and 1980-1983 CJ with 6 or 8 Cylinder, 11 inch Clutch Cover	16904.05
1972-1981 CJ with 6 or 8 Cylinder, 10.5 inch Clutch Cover	16904.06
1980-1983 CJ with 4 Cylinder GM 151, Clutch Cover	16904.03
1982-1986 CJ with 6 or 8 Cylinder, 10.5 inch Clutch Cover	16904.07
1987-1999 Wrangler and Cherokee, 1993-1998 Grand Cherokee with 6 Cylinder, Clutch Cover	16904.12
1987-1990 Wrangler and Cherokee with 4 Cylinder, Clutch Cover	16904.08
1991-2001 Wrangler and Cherokee with 4 Cylinder, Clutch Cover	16904.09
2002-2006 Wrangler, 2000-2001 Cherokee with 6 Cylinder, Clutch Cover	16904.13
2003-2006 Wrangler with 4 Cylinder, Clutch Cover	16904.18
2003-2004 Wrangler, 2002-2004 Liberty with 4 Cylinder, Clutch Disk	16904.15
1991-1996 Cherokee with 2.1L Diesel, Clutch Cover	16904.10
2002-2006 Liberty with 3.7L, Clutch Cover	16904.14
2002-2004 Liberty with 2.4L, Clutch Cover	16904.11



OMIX-ADA, Inc.

Clutch & Flywheel

F. Clutch Disc

	Part#
1946-1967 CJ with 4 Cylinder 134 "L" or "F" Head Motor, 8 1/2 inch Clutch Disk	16905.01
1967-1971 CJ with 4 Cylinder 134 "L" or "F" Head Motor, 9 1/4 inch Clutch Disk	16905.02
1972-1975 and 1980-1983 CJ with 6 or 8 Cylinder, 11 inch Clutch Disk	16905.05
1972-1975 and 1980-1986 CJ with 6 or 8 Cylinder, 1987-1999 Wrangler, Cherokee and Grand Cherokee with 6 Cylinder, 10.5 inch Clutch Disk	16905.06
1976-1979 CJ with 6 or 8 Cylinder, 10.5 inch Clutch Disk	16905.13
1980-1983 CJ with 4 Cylinder GM 151, Clutch Disk	16905.03
1983-1986 CJ with 4 Cylinder AMC 150, 1987-1990 Wrangler and Cherokee with 4 Cylinder, Clutch Disk	16905.04
1991-2001 Wrangler and Cherokee with 4 Cylinder, Clutch Disk	16905.07
2002-2006 Wrangler, 2000-2001 Cherokee with 6 Cylinder, Clutch Disk	16905.10
1991-1996 Cherokee with 2.1L Diesel, Clutch Disk	16905.08
2002-2006 Liberty with 3.7L, Clutch Disk	16905.11

G. Clutch Bearing

	Part#
1946-1971 CJ with 4 Cylinder 134 "L" or "F" Head Motor, 8 1/2 or 9 1/4 inch Clutch Bearing	16906.01
1966-1971 CJ with 225 V6, Clutch Bearing	16906.10
1976-1986 CJ, 1987-1990 Wrangler, 1987-1990 Cherokee with 4, 6, or 8 Cylinder, Clutch Bearing	16906.04
1972-1975 CJ with 6 or 8 Cylinder, Clutch Bearing	16906.05
1980-1983 CJ with 4 Cylinder GM 151, Clutch Bearing	16906.02
1983-1986 CJ with 4 Cylinder AMC 150, Clutch Bearing	16906.03
1987-1989 Wrangler and Cherokee with 6 Cylinder and Peugeot Transmission, Clutch Bearing	16909.03
1990-1992 Wrangler and Cherokee with 6 Cylinder and Aisin Transmission, Clutch Bearing	16909.05
1993 Wrangler and Cherokee with 4 or 6 Cylinder, Clutch Bearing	16909.06
1994-2001 Wrangler and Cherokee, 2002-2004 Liberty with 4 Cylinder, Clutch Bearing	16909.04
2003-2004 Wrangler with 4 Cylinder, 1994-2014 Wrangler, 1994-2001 Cherokee, 1993-1998 Grand Cherokee, 2002-2008 Liberty with 6 Cylinder, Clutch Bearing	16906.06

H. Clutch Master & Slave Cylinder Kits

	Part#
1994-1995 Wrangler 4 or 6 Cylinder, Master and Slave Cylinder Kit	16907.01
1997-2004 Wrangler 4 or 6 Cylinder, Master and Slave Cylinder Kit	16907.02
1997-1999 Wrangler Right Hand Drive, Master and Slave Cylinder Kit	16907.03
2001-2001 Wrangler Right Hand Drive, Master and Slave Cylinder Kit	16907.04
1994-1996 Cherokee 4or 6 Cylinder, Master and Slave Cylinder Kit	16907.05
1994-1996 Cherokee 4 or 6 Cylinder Right Hand Drive, Master and Slave Cylinder Kit	16907.06
1998-1999 Cherokee 4 or 6 Cylinder, Master and Slave Cylinder Kit	16907.08
2000-2001 Cherokee 4 or 6 Cylinder, Master and Slave Cylinder Kit	16907.09
1997-2001 Cherokee Right Hand Drive, Diesel, Master and Slave Cylinder Kit	16907.10
2000-2001 Cherokee 4 or 6 Cylinder Right Hand Drive, Master and Slave Cylinder Kit	16907.11
1993-1998 Grand Cherokee 6 or 8 Cylinder, Master and Slave Cylinder Kit	16907.12

I. Clutch Master Cylinders

	Part#
1980-1986 CJ 6 or 8 Cylinder, Clutch Master Cylinder	16908.01
1987-1990 Wrangler 4 or 6 Cylinder, Clutch Master Cylinder	16908.02
1991-1995 Wrangler 4 or 6 Cylinder, Clutch Master Cylinder	16908.03
1994-1996 Wrangler 4 or 6 Cylinder, Clutch Master Cylinder	16908.04
1997-2004 Wrangler, 1997-2001 Cherokee, Clutch Master Cylinder	16908.11
1984-1985 Cherokee 4 Cylinder, 1984 Cherokee V6, Clutch Master Cylinder	16908.05
1986 Cherokee 4 Cylinder, 1985-1986 Cherokee V6 or Diesel, Clutch Master Cylinder	16908.06
1987-1990 Cherokee 4 or 6 Cylinder and Diesel, Clutch Master Cylinder	16908.07
1991-1993 Cherokee, Clutch Master Cylinder	16908.08
1994-1996 Cherokee, Clutch Master Cylinder	16908.09
1993-1996 Grand Cherokee, Clutch Master Cylinder	16908.10

[H] 16907.01



[I] 16908.02



[J] 16909.02



[K] 16910.11



[F] 16905.01



[L] 16912.05

J. Clutch Slave Cylinders

	Part#
1976-1983 CJ with 4 Cylinder GM 151 or Diesel, 1980-1986 CJ with 6 or 8 Cylinder, 1984-1996 Cherokee 4 Cylinder Diesel, Clutch Slave Cylinder	16909.01
1983-1986 CJ AMC 150, 1984-1986 Cherokee 4 or 6 Cylinder, Clutch Slave Cylinder	16909.02
1987-1992 Wrangler and Cherokee 4 Cylinder, Clutch Slave Cylinder	16909.04
1987-1989 Wrangler and Cherokee 6 Cylinder with Peugeot Transmission, Clutch Slave Cylinder	16909.03
1989-1992 Wrangler and Cherokee 6 Cylinder with Aisin Transmission, Clutch Slave Cylinder	16909.05
1993 Wrangler and Cherokee with 4 or 6 Cylinder, Clutch Slave Cylinder	16909.06
1994-1999 Wrangler and Cherokee, 1994-1998 Grand Cherokee, Clutch Slave Cylinder	16909.07
1997-2001 Wrangler Right Hand Drive, Clutch Slave Cylinder	16909.08

K. Pilot Bushings & Bearing

	Part#
1941-1971 CJ 134 4 Cylinder, Pilot Bushing	16910.01
1965-1971 CJ 6 Cylinder, Pilot Bushing	16910.09
1980-1983 CJ 4 Cylinder GM 151, Pilot Bearing	16910.02
1983-1986 CJ 4 Cylinder, 1987-1999 Wrangler and Cherokee 4 Cylinder, Pilot Bearing	16910.03
1972-1975 CJ with 6 or 8 Cylinder, Pilot Bearing	16910.04
1976-1979 CJ 6 or 8 Cylinder, Pilot Bearing	16910.05
1982-1986 CJ 6 or 8 Cylinder, Pilot Bushing	16910.06
1987-1991 Wrangler 6 Cylinder, Pilot Bearing	16910.07
1992-2001 Wrangler and Cherokee, 1993-1998 Grand Cherokee 6 Cylinder, Pilot Bearing	16910.08
2001-2006 Wrangler 6 Cylinder, 2000-2002 Wrangler 4 Cylinder, 2002-2007 Liberty 6 Cylinder, Pilot Bearing	16910.12
1993-1998 Grand Cherokee V8 with Manual Transmission, Pilot Bearing	16910.10

L. Flywheels

	Part#
1972-1979 232 and 258, Manual Transmission Flywheel	16912.03
1972-1986 AMC V8 360, Manual Transmission Flywheel	16912.08
1972-1979 AMC V8 401, Manual Transmission Flywheel	16912.09
1972-1986 CJ with GM V8 Conversion, Manual Transmission Flywheel [168 Teeth]	16912.10
1982-1987 4.2L CJ and Wrangler, Manual Transmission Flywheel	16912.05
1988-1990 4.2L Wrangler, Manual Transmission Flywheel	16912.06
1991-1999 4.0L Wrangler and Cherokee, Manual Transmission Flywheel	16912.07
1991-2002 2.5L, Manual Transmission Flywheel	16912.02

Clutch & Flywheel



M. Flywheel Ring Gears	Part#
1941-1949 MB and CJ2A with 134, Flywheel Ring Gear	16911.01
1953-1971 CJ with 134, Flywheel Ring Gear	16911.02
1983-1986 CJ, 1997-2002 Wrangler, 1984-1996 Cherokee 4 Cylinder, Flywheel Ring Gear	16911.03
1967-1971 CJ V6 225, Flywheel Ring Gear	16911.04
1965-1971 SJ 6 Cylinder, Flywheel Ring Gear	16911.05
1972-1986 CJ, 1987-06 Wrangler, 1987-1998 Grand Cherokee with 6 Cylinder, 1972-1981 CJ and SJ with AMC 8 Cylinder, Flywheel Ring Gear	16911.06

N. Flexplates	Part#
1976-1979 CJ 258 6 Cylinder, Automatic Transmission Flex Plate	16913.01
1976-1979 CJ 304 V8, Automatic Transmission Flex Plate	16913.02
1976-1979 CJ 360 V8, Automatic Transmission Flex Plate	16913.03
1976-1978 CJ 401 V8, Automatic Transmission Flex Plate	16913.04
1980-1986 CJ 258 6 Cylinder, Automatic Transmission Flex Plate	16913.05
1980-1983 CJ and SJ 304 and 360 V8, Automatic Transmission Flex Plate	16913.06
1972-1974 DJ Postal Jeeps, Automatic Transmission Flex Plate	16913.07
1972-1986 CJ with GM V8 Conversion, Automatic Transmission Flex Plate	16913.08
1984-1986 Cherokee, 2.8L, Flexplate NEW	16913.12
1987-1990 Cherokee 4.0L, Automatic Transmission Flex Plate	16913.11
1991-2000 Cherokee 4.0L, Automatic Transmission Flex Plate	16913.10

O. Bellhousings & Components	Part#
1976-1986 CJ with 6 or 8 Cylinder and T150 or T176, Bellhousing	16916.01
1980-1986 CJ with SR4, T4, T5, Bellhousing	16916.02
1972-1986 CJ 6 or 8 Cylinder, Clutch Housing Cover	16917.01
1972-1986 CJ 6 or 8 Cylinder, Clutch Engine Spacer	16917.02

P. Clutch Forks	Part#
1941-1945 MB, 1950-1952 M38, M38A1, 1945-1971 CJ with 4 Cylinder 134, Clutch Fork	16914.01
1947-1955 Utility Wagon (475), Clutch Fork	16914.02
1980-1983 CJ with GM 151, Clutch Fork	16914.03
1972-1975 CJ with 6 or 8 Cylinder, Clutch Fork	16914.05
1976-1986 CJ with 6 or 8 Cylinder, Clutch Fork	16914.06
1994-2014 Wrangler, 1994-1999 Cherokee with 4 or 6 Cylinder, 1994-1998 Grand Cherokee 6 or 8 Cylinder, 2002-2007 Liberty 6 Cylinder, Clutch Fork	16914.07

Q. Clutch Fork Boots	Part#
1972-1975 CJ with 6 or 8 Cylinder, Clutch Boot	16918.01
1976-1979 CJ with 6 or 8 Cylinder, Clutch Boot	16918.02
1980-1986 CJ with 6 or 8 Cylinder, Clutch Boot	16918.03

R. Clutch Pedal Covers	Part#
1946-1986 CJ Clutch Pedal Cover	16953.01
1945-1986 CJ Clutch Pedal Cover	16753.01
1987-2006 Wrangler, 1987-2001 Cherokee Clutch Pedal Cover	16753.03

S. 1941-1971 CJ Clutch Pedal	Part#
1941-1971 CJ 4 or 6 Cylinder, Clutch Pedal	16920.01
1941-1971 CJ 4 or 6 Cylinder, Clutch Pedal Return Spring	16750.06
1941-1971 CJ, Pedal Draft Pad Kit	16750.09
1941-45MB, 1941-1945 Ford GPW, Clutch Pedal	16920.18

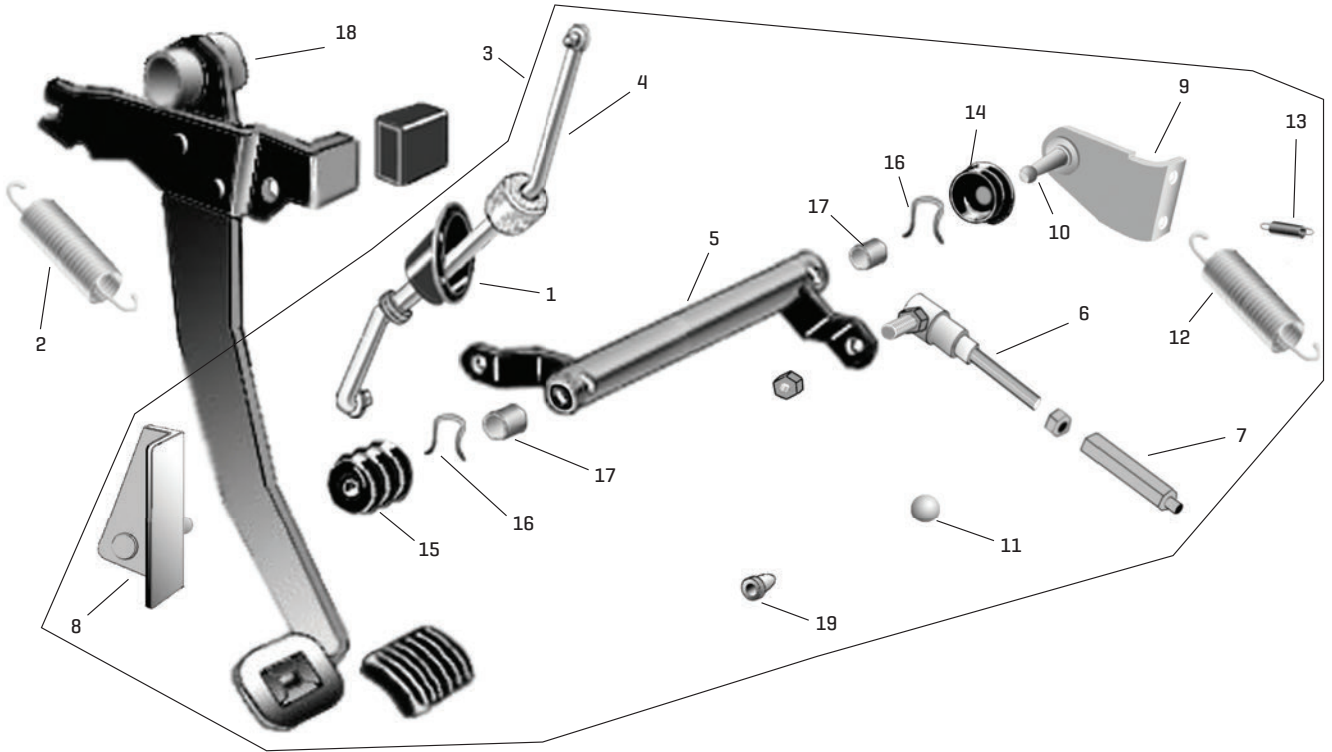
T. Clutch Rods	Part#
1941-1945 MB, Clutch Rod	16920.14
1946-1971 CJ with 4 Cylinder 134 "L" or "F" Head Motor, Clutch Rod	16920.15

U. 1941-1971 CJ Idler Cross Shaft	Part#
1941-1971 CJ Cross Shaft	16920.04
1941-1971 CJ Cross Shaft Hold Bracket	16920.07
1941-1971 CJ Idler Cross Shaft Felt	16920.08
1941-1971 CJ Idler Cross Shaft Plate	16920.09
1941-1971 CJ Idler Cross Shaft Spring	16920.10
1941-1971 CJ Idler Cross Shaft Boot	16920.11

V. 1941-1971 CJ Clutch Bellcrank	Part#
1941-1945 MB, Bellcrank Kit	16920.05
1946-1971 CJ 4 Cylinder, Bellcrank Kit	16920.06
1941-1945 MB, Clutch Cable [9.25 inch]	16920.12
1946-1971 CJ 4 Cylinder, Clutch Cable [Bellcrank to Clutch Fork]	16920.13

W. 1941-1971 CJ Misc Clutch	Part#
1946-1971 CJ 4 Cylinder, Clutch Linkage [Clutch to Spring]	16920.03
1946-1971 CJ 4 Cylinder, Clutch Linkage Yoke	16920.16

1972-1986 CJ Clutch Linkage Components



[X20] 16919.24



[X21] 16919.30

X. 1972-1986 CJ Clutch Linkage	Part#
1972-1986 CJ Bellcrank Kits (Includes: 1, 4, 5, 6, 7, 8, 9, 10, 11, 12, 13, 14, 15, and 2 of both 16, 17)	16919.01
1 1972-1986 CJ Clutch Linkage Rod Boot	16919.02
2 1972-1986 CJ Clutch Pedal Return Spring	16919.03
3 1972-1975 CJ 6 or 8 Cylinder Clutch Rod Assembly	16919.04
4 1976-1986 CJ Pedal to Bellcrank Rod	16919.05
5 1972-1975 CJ Bellcrank	16919.06
5 1976-1986 CJ Bellcrank	16919.07
6 1972-1986 CJ Lower Clutch Rod	16919.08
7 1972-1986 CJ Clutch Rod Adjuster	16919.09
8 1976-1986 CJ Body Bracket with Pivot Stud	16919.10
9 1976-1986 CJ Bellhousing Bracket with Stud	16919.11
10 1972-1975 CJ Bellcrank Pivot Stud	16919.12
11 1972-1986 CJ Clutch Fork Pivot Ball	16919.13
12 1972-1986 CJ Clutch Fork Return Outer Spring	16919.14
13 1972-1975 CJ Clutch Fork Return Inner Spring	16919.15
13 1976-1986 CJ 6 or 8 Cylinder Clutch Fork Inner Spring	16919.16
14 1972-1986 CJ Bellcrank Inner Boot	16919.17
15 1972-1986 CJ Bellcrank Outer Boot	16919.18
16 1972-1986 CJ Bellcrank Clip	16919.19
17 1972-1986 CJ Bellcrank Plastic Bushing [2 Needed]	16919.20
18 1972-1981 CJ with 6 or 8 Cylinder Clutch Pedal Bearing [2 Needed]	16919.21
18 1981-1986 CJ, 1987-1995 Wrangler Clutch Pedal Bushing	16919.22
19 1980-1986 CJ 4 or 6 Cylinder Clutch Slave Plastic Pivot	16919.23
20 1980-1986 CJ Clutch Master Cylinder Hose [Except 4 Cylinder with AMC 150]	16919.24
20 1980-1986 CJ Slave Cylinder Return Spring	16919.25
21 1976-1983 CJ5, 1976-1986 CJ7, 1981-1986 CJ8, Heavy Duty Clutch Linkage [Up to 3 inch Body Lift]	16919.30

Cooling System



A. Radiators

	Part#
1941-1945 MB, 1941-1945 Ford GPW, CJ2A 1945-1949, M38 1950-1952, Radiator, With Shroud, 2 Row *	17101.01
1941-1945 MB, 1941-1945 Ford GPW, CJ2A 1945-1949, M38 1950-1952, Radiator, Without Shroud, 2 Row	17101.02
1955-1971 CJ5, 1955-1971 CJ6, Radiator, 2 Row [For 134 CI Engine]	17101.04
1972-1983 CJ5, 1972-1975 CJ6, 1976-1986 CJ7, 1981-1986 CJ8, Radiator, 3 Row, With Center Filler [For 4.2L or 5.0L Engine With MT or AT]	17101.07
1981-1983 CJ5, 1981-1986 CJ7, 1981-1986 CJ8, Radiator, 2 Row, With LH Offset Filler [For 4.2L Engine With MT or AT]	17101.10
1981-1983 CJ5, 1981-1986 CJ7, 1981-1986 CJ8, Radiator, 2 Row, With Center Filler [For 4.2L Engine With MT or AT]	17101.09
1972-1983 CJ5, 1972-1975 CJ6, 1976-1986 CJ7, 1981-1986 CJ8, Radiator, 3 Row, With Center Filler [For 5.0L or 5.7L GM Engine Conversion With MT or AT]	17101.15
1987-1991 Wrangler [2.5L & 4.2L] [MT or AT], 1997-2006 Wrangler [2.4L, 2.5L or 4.0L] [AT], 2004-2006 Wrangler Unlimited [4.0L] [AT], Radiator, 2 Row [With or Without AC]	17101.13
1992-1995 Wrangler [2.5L & 4.2L], Radiator, 2 Row [With or Without AC] [MT or AT]	17101.12
1987-1995 Wrangler, Radiator, 3 Row, With Center Filler [For 5.0L or 5.7L GM Engine Conversion With MT or AT]	17101.16
1997-2006 Wrangler [2.4L, 2.5L & 4.0L] [MT], 2004-2006 Wrangler Unlimited [4.0L] [MT], Radiator, 2 Row [With or Without AC]	17101.14
2007-2011 Wrangler [3.8L], 1 Row, Radiator	17101.38
1997-2006 Wrangler [2.4L/2.5L/4.0L], Radiator, Auto NEW	17101.45
1984-1994 Cherokee [2.5L], 1984-1986 Cherokee [2.8L], Radiator, 2 Row, [With or Without AC] [MT or AT]	17101.17
1987-1990 Cherokee [4.0L], Radiator, 2 Row, [With or Without AC] [MT or AT]	17101.18
1991-2000 Cherokee [4.0L], Radiator, 2 Row, [With or Without AC] [MT or AT]	17101.21
1993-1994 Cherokee [RHD] [4.0L], Radiator, 2 Row, [With or Without AC] [AT]	17101.34
2001 Cherokee [4.0L], Radiator, 2 Row, [With or Without AC] [MT or AT]	17101.35
1974-1979 Cherokee [SJ] [5.9L & 6.6L], Radiator, 2 Row, [With or Without AC] [MT or AT]	17101.32
1980-1991 Cherokee [SJ] [5.9L & 6.6L], Radiator, 2 Row, [With or Without AC] [MT or AT]	17101.33
1993-1997 Grand Cherokee [4.0L], Radiator, 2 Row, [With or Without AC] [MT or AT]	17101.23
1993-1997 Grand Cherokee [5.2L & 5.9L], Radiator, 2 Row, [With or Without AC] [MT or AT]	17101.27
1998 Grand Cherokee [4.0L], Radiator, 2 Row, [With or Without AC] [MT or AT]	17101.25
1998 Grand Cherokee [5.2L & 5.9L], Radiator, 2 Row, [With or Without AC] [MT or AT]	17101.29
1999-2004 Grand Cherokee [4.0L], Radiator, 1 Row, [With or Without AC]	17101.26
2001-2004 Grand Cherokee [4.7L], Radiator, 1 Row, [With or Without AC]	17101.31
2005-2008 Grand Cherokee [3.7L & 4.7L], 2006-2009 Grand Cherokee [6.1L], Radiator, 1 Row	17101.39
1999-2000 Grand Cherokee [4.7L], Radiator, 1 Row, [With or Without AC]	17101.3
2005-2009 Grand Cherokee [5.7L], Radiator	17101.4
2011-2012 Grand Cherokee [3.7L & 5.7L], HD Radiator NEW	17101.43
2011-2012 Grand Cherokee [3.7L & 5.7L], Radiator, Auto NEW	17101.44
1993-1998 Grand Cherokee [4.0L], Radiator NEW	17101.46
2002-2005 Liberty [2.4L], Radiator, 1 Row [With AC]	17101.37
2002-2006 Liberty [3.7L], Radiator, 1 Row [With or Without AC]	17101.36
2007-2010 Compass & Patriot [2.0L & 2.4L], Radiator NEW	17101.41
2008-2012 Liberty [3.7L], Radiator, Auto NEW	17101.42

B. Radiator Caps

	Part#
1941-1945 MB, 1941-1945 GPW, 1945-1949 CJ2A, 1948-1953 CJ3A, 1950-1952 M38, Radiator Cap [4 lbs], [For 134 CI With L-Head] *	17108.01
1952-1971 M38A1, 1953-1967 CJ3B, 1955-1971 CJ5, 1955-1971 CJ6, Radiator Cap [7 lbs], [For 134 CI With F-Head]	17108.08
1974-1983 CJ5 [3.8L, 4.2L & 5.0L], 1976-1986 CJ7 [3.8L, 4.2L & 5.0L], 1981-1986 CJ8 [4.2L & 5.0L], Radiator Cap [16lbs]	17108.02
1984-1990 Cherokee [2.5L], 1984-1986 Cherokee [2.8L], 1991-1993 Cherokee [4.0L], 1987-1993 Wrangler [2.5L, 4.0L & 4.2L], Radiator Cap [16 lbs]	17108.03
1993-1998 Grand Cherokee, [4.0L, 5.2L & 5.9L], 1999-2004 Grand Cherokee [4.0L], Wrangler 1997-2006 [2.4L, 2.5L & 4.0L], Radiator Cap [18lbs]	17108.05
1999-2004 Grand Cherokee [4.7L], Radiator Cap [20 lbs]	17108.06

C. Drain Cocks

	Part#
41-45 Mb, Gpw, Drain Cock, 1/8" [New] 1941-1945 MB, 1941-1945 Ford GPW, CJ2A 1945-1949, M38 1950-1952, Drain Cock [1/8"]	17470.13
1980-86 Cj, Drain Cock [Also Fits Other Applications]	
1983-1986 CJ7, 1983-1986 CJ8, 1987-2006 Wrangler, Drain Cock [1/4"]	17120.01

D. Radiator Hoses Upper

	Part#
1941-1945 MB, 1941-1945 GPW, 1945-1949 CJ2A, 1948-1950 CJ3A, Upper Radiator Hose [For 134 CI]	17113.01
1949-1953 CJ3A, 1950-1952 M38, 1946-1950 Truck, 1946-1950 Station Wagon, 1948-1950 Jeepster, Upper Radiator Hose [For 134 CI]	17113.02
1953-1967 CJ3B, 1950-1953 Truck, 1950-1953 Station Wagon, 1950-1951 Jeepster, Upper Radiator Hose [For 134 CI]	17113.03
1955-1971 CJ5, 1955-1971 CJ6, Upper Radiator Hose [For 134 CI Engine]	17113.04
1983 CJ5, 1983-1986 CJ7, 1983-1986 CJ8, Upper Radiator Hose [For 2.5L AMC]	17113.04
1974-1981 CJ5, 1974-1975 CJ6, 1976-1986 CJ7, 1981-1986 CJ8, Upper Radiator Hose [For 4.2L]	17113.11
1980-1983 CJ5, 1980-1983 CJ7, 1981-1983 CJ8, Upper Radiator Hose [For 2.5L GM]	17113.05
1972-1981 CJ5, 1972-1975 CJ6, 1976-1981 CJ7, 1981 CJ8, Upper Radiator Hose [For 5.0L]	17113.18
1954-1964 Truck and Station Wagon [226 CI], Upper Radiator Hose	17113.10
1987-1995 Wrangler [2.5L], Upper Radiator Hose	17113.07
1987-1990 Wrangler [4.2L], Upper Radiator Hose	17113.12
1991-1995 Wrangler [4.0L], Upper Radiator Hose	17113.13
1997-2002 Wrangler [2.5L] Upper Radiator Hose	17113.20
1997-2006 Wrangler [4.0L], Upper Radiator Hose	17113.14
2003-2006 Wrangler [2.4L], Upper Radiator Hose	17113.23
2007-2011 Wrangler [3.8L], Upper Radiator Hose	17113.27
2012-2014 Wrangler [3.6L], Upper Radiator Hose NEW	17113.06
1987-1998 Cherokee [2.5L Without AC], Upper Radiator Hose	17113.08
1987-1997 Cherokee [2.5L With AC], Upper Radiator Hose	17113.09
1987-1998 Cherokee [4.0L Without AC], Upper Radiator Hose	17113.15
1987-1990 Cherokee [4.0L With AC], Upper Radiator Hose	17113.15
1991-1998 Cherokee [4.0L With AC], Upper Radiator Hose	17113.16
1999-2001 Cherokee [4.0L With AC], Upper Radiator Hose	17113.22
1993-1998 Grand Cherokee [4.0L], Upper Radiator Hose	17113.17
1999-2004 Grand Cherokee [4.0L], Upper Radiator Hose	17113.21
1993-1998 Grand Cherokee [5.2L], 1998 Grand Cherokee [5.9L], Upper Radiator Hose	17113.19
2005-2010 Grand Cherokee [3.7L], Upper Radiator Hose	17113.24
2005-2009 Grand Cherokee [4.7L], Upper Radiator Hose	17113.25
2011-2012 Grand Cherokee [3.6L], Upper Radiator Hose NEW	17113.30
2011-2012 Grand Cherokee [5.7L], Upper Radiator Hose NEW	17113.31
2002-2007 Liberty [3.7L], Upper Radiator Hose	17113.26
2005-2006 Liberty [2.8L Diesel], Upper Radiator Hose	17113.28
2008-2011 Liberty [3.7], Upper Radiator Hose NEW	17113.29
2007-2011 Compass & Patriot [2.0L & 2.4L], Upper Radiator Hose NEW	17113.32

**E. Radiator Hoses Lower**

	Part#
1941-1945 MB, 1941-1945 GPW, 1945-1949 CJ2A, 1948-1950 CJ3A, 1950-1952 M38, 1946-1949 Truck, 1946-1949 Station Wagon, 1948-1949 Jeepster, Lower Radiator Hose (For 134 CI) *	17114.01
1949-1953 CJ3A, 1952-1971 M38A1, 1953-1967 CJ3B, 1950-1953 Truck, 1950-1953 Station Wagon, 1948-1951 Jeepster, Lower Radiator Hose (For 134 CI) *	17114.02
1972-1981 CJ5, 1972-1975 CJ6, 1976-1981 CJ7, 1981 CJ8, Lower Radiator Hose (For 5.0L)	17114.13
1974-1981 CJ5, 1974-1975 CJ6, 1976-1986 CJ7, 1981-1986 CJ8, Lower Radiator Hose (For 4.2L)	17114.08
1980-1983 CJ5, 1980-1983 CJ7, 1981-1983 CJ8, Lower Radiator Hose (For 2.5L GM)	17114.03
1983 CJ5, 1983-1986 CJ7, 1983-1986 CJ8, Lower Radiator Hose (For 2.5L AMC)	17114.04
1954-1964 Truck and Station Wagon (226 CI), Lower Radiator Hose	17114.01
1987-1995 Wrangler (2.5L), Lower Radiator Hose	17114.05
1987-1990 Wrangler (4.2L), Lower Radiator Hose	17114.09
1991-2000 Wrangler (4.0L), 1987-1997 Cherokee (2.5L) Lower Radiator Hose	17114.07
1991-2000 Wrangler (4.0L), 1987-1997 Cherokee (2.5L) Lower Radiator Hose	17114.07
1997-2002 Wrangler (2.5L), Lower Radiator Hose	17114.06
2001-2006 Wrangler (4.0L), Lower Radiator Hose NEW	17114.29
2003-2006 Wrangler (2.4L), Lower Radiator Hose	17114.19
2007-2011 Wrangler (3.8L), Lower Radiator Hose	17114.25
1987-2001 Cherokee (4.0L), Lower Radiator Hose	17114.11
1999-2001 Cherokee (4.0L) (RHD), Lower Radiator Hose	17114.17
1993-1998 Grand Cherokee (4.0L), Lower Radiator Hose	17114.12
1993-1998 Grand Cherokee (5.2L), 1998 Grand Cherokee (5.9L), Lower Radiator Hose	17114.14
1999-2004 Grand Cherokee (4.0L), Lower Radiator Hose	17114.15
1999-2004 Grand Cherokee (4.7L), Lower Radiator Hose	17114.16
2005-2010 Grand Cherokee (3.7L), Lower Radiator Hose	17114.20
2005-2009 Grand Cherokee (4.7L), Lower Radiator Hose	17114.21
2005-2008 Grand Cherokee (5.7L), 2006-2009 Grand Cherokee (6.1L), Lower Radiator Hose	17114.22
2011-2012 Grand Cherokee (3.6L), Lower Radiator Hose NEW	17114.27
2011-2012 Grand Cherokee (5.7L), Lower Radiator Hose NEW	17114.28
2002-2007 Liberty (3.7L), Lower Radiator Hose	17114.24
2005-2006 Liberty (2.8L Diesel), Lower Radiator Hose	17114.26

F. Heater Bypass & Other Hoses

	Part#
1952-1971 M38A1, 1953-1967 CJ3B, 1955-1971 CJ5, 1955-1971 CJ6, Water Pump Bypass Hose	17116.02
1972-1981 CJ5, 1972-1975 CJ6, 1976-1981 CJ7, 1981 CJ8, Bypass Hose	17116.01
1988-1990 Cherokee (4.0L), Heater Valve To Core Hose	17116.63
1988-1990 Cherokee (4.0L), Heater Valve To Tee Hose	17116.65
1988-1990 Cherokee (4.0L), Tee To Water Pump Hose	17116.62
1991-1993 Cherokee (4.0L), Heater Core to Valve Hose	17116.50
1991-1993 Cherokee (4.0L), Heater Valve To Core Hose	17116.64
1987-1990 Wrangler (4.2L), Heater Return Hose	17116.51
1987-1990 Wrangler (4.2L), Supply Return Hose	17116.56
1997-2002 Wrangler (2.5L), Heater Return Hose	17116.54
1997-1997 Wrangler (4.0L), 1999-2004 Grand Cherokee (4.0L), Heater Return Hose	17116.55
1991-1993 Cherokee (4.0L), Heater Return Hose	17116.52
1997-2001 Cherokee (4.0L), Heater Return Hose	17116.53
1993-1998 Grand Cherokee (4.0L & 5.2L) Heater Return Hose	17116.52
1993-1998 Grand Cherokee (5.2L) Heater Return Hose	17116.60
1997-1997 Wrangler (4.0L), 1999-2004 Grand Cherokee (4.0L), Heater Supply Hose	17116.61
1994-1996 Cherokee (4.0L), Heater Supply Hose	17116.58
1997-2001 Cherokee (4.0L), Heater Supply Hose	17116.59
1995-1996 Grand Cherokee (4.0L), Heater Supply Hose	17116.57

G. Hose Clamps

	Part#
Universal, Radiator Hose Clamp, Adjustable 1-5/16" to 2-1/4"	17115.01
1972-1981 CJ5, 1972-1975 CJ6, 1976-1981 CJ7, 1981 CJ8, Heater Hose Clamp (2 Required)	17115.02
1957-1971 Willys & Jeep, Heater Hose Clamp NEW	17115.03
1957-1971 Willys & Jeep, Radiator Hose Clamp NEW	17115.04

H. Fan Blades

	Part#
1991-1995 Wrangler (4.0L), Fan Blade (Asymmetrical 5 Blade)	17109.02

I. Fan Shroud

	Part#
1974-1983 CJ5 (3.8L & 4.2L), 1976-1986 CJ7 (3.8L & 4.2L), 1981-1986 CJ8 (4.2L), Radiator Fan Shroud (Without HD Cooling)	17102.01
1974-1981 CJ5 (5.0L), 1976-1981 CJ7 (5.0L), 1981 CJ8 (5.0L), Radiator Fan Shroud (Without HD Cooling)	17102.03
1981-1983 CJ5 (3.8L & 4.2L), 1981-1986 CJ7 (3.8L & 4.2L), 1981-1986 CJ8 (4.2L), Radiator Fan Shroud (With HD Cooling)	17102.02
1991-1995 Wrangler (4.0L), Radiator Fan Shroud *	17102.04
1997-2006 Wrangler (4.0L), Radiator Fan Shroud NEW	17102.05
2007-2011 Wrangler (3.8L), Fan Shroud NEW	17102.06

J. Hose Intercooler

	Part#
2005-2006 Liberty, Diesel, Intercooler Air Charge Hose, Inlet NEW	17121.01
2005-2006 Liberty, Diesel, Intercooler Air Charge Hose, outlet NEW	17121.02

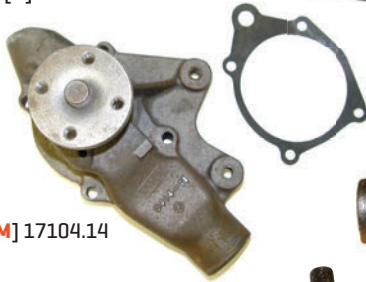
Cooling System



[K] 17105.07



[L] 17102.57



[M] 17104.14



[M] 17104.01



[N] 17104.80



BUY WITH CONFIDENCE
MINIMUM 5 YEAR WARRANTY

K. Fan Clutches

	Part#
1974-1983 CJ5 (3.8L, 4.2L & 5.0L), 1976-1986 CJ7 (3.8L, 4.2L & 5.0L), 1981-1986 CJ8 (4.2L & 5.0L), Fan Clutch, (With V-Belt)	17105.06
1983-1986 CJ7 (AMC 2.5L), 1981-1986 CJ8 (4.2L), 1987-1990 Wrangler (2.5L & 4.2L), 1984-1986 Cherokee (2.5L) Fan Clutch, (With V-Belt)	17105.01
1974-1983 CJ5 (3.8L, 4.2L & 5.0L), 1976-1986 CJ7 (3.8L, 4.2L & 5.0L), 1981-1986 CJ8 (4.2L & 5.0L), 1987-1995 Wrangler (2.5L), 1987-1990 Wrangler (4.2L), 1987-1990 Cherokee (2.5L), Fan Clutch, (With Serpentine Belt)	17105.02
1991-1995 Wrangler (4.0L), Fan Clutch	17105.04
1997-2002 Wrangler (2.5L), 2003-2006 Wrangler (2.4L), Fan Clutch	17105.10
2000-2006 Wrangler (4.0L), Fan Clutch	17105.12
1997-1999 Wrangler (4.0L), Fan Clutch NEW	17105.13
1987-1993 Cherokee (4.0L), Fan Clutch	17105.03
1997-2000 Cherokee (2.5L With AC), Fan Clutch	17105.11
1993-1996 Grand Cherokee (4.0L With HD Cooling), 1997-1998 Grand Cherokee (4.0L), Fan Clutch	17105.07
1993-1998 Grand Cherokee (5.2L), 1998 (5.9), Fan Clutch	17105.09
1974-1991 Cherokee (SJ) / Grand Wagoner (5.9L & 6.6L), Fan Clutch	17105.06
1981-1987 Cherokee (SJ) / Grand Wagoner (4.2L), Fan Clutch, (With V-Belt) [Reverse Rotation]	17105.06
1981-1987 Cherokee (SJ) / Grand Wagoner (4.2L), Fan Clutch, (With Serpentine Belt)	17105.08
1981-1987 Cherokee (SJ) / Grand Wagoner (4.2L), Fan Clutch, (With V-Belt)	17105.05

L. Electric Cooling Fans

	Part#
2007-2011 Wrangler (3.8L), Fan Assembly	17102.57
1987-1996 Cherokee (4.0L), Fan Assembly	17102.51
1997-1999 Cherokee (2.5L), 1997-2001 Cherokee (4.0L), Fan Assembly	17102.52
1999-2004 Grand Cherokee 1999-2004 (4.0L), 1999-2001 (4.7L), 2002-2007 Liberty (3.7L), Fan Assembly	17102.53
2005-2010 Grand Cherokee (3.7L & 5.7), 2005-2009 Grand Cherokee (4.7L), 2006-2010 Grand Cherokee (6.1L) Fan Assembly	17102.54
2008-2010 Liberty (3.7L), Fan Assembly	17102.56
2007-2011 Compass & Patriot, Fan Assembly NEW	17102.58
2011-2012 Grand Cherokee, Fan Assembly NEW	17102.59

M. Water Pumps

	Part#
1941-1945 MB, 1941-1945 GPW, 1945-1949 CJ2A, 1948-1953 CJ3A, 1953-1967 CJ3B, 1955-1971 CJ5, 1955-1971 CJ6, Water Pump (For 134 CI)	17104.01
1950-1952 M38, 1952-1971 M38A1, Water Pump (With Double Groove Pulley)	17104.02
1954-1964 Truck and Station Wagon (226 CI) Water Pump	17104.09
1966-1971 CJ5 & CJ6 (225 CI), Water Pump	17104.10
1972-1974 CJ5 & CJ6 (3.8L & 4.2L), Water Pump	17104.11
1972-1981 CJ5, 1972-1975 CJ6, 1976-1981 CJ7, 1981 CJ8, Water Pump (For 3.8L or 4.2L)	17104.12
1972-1981 CJ5, 1972-1975 CJ6, 1976-1981 CJ7, 1981 CJ8, Water Pump (For 5.0L)	17104.16
1980-1983 CJ5, 1980-1983 CJ7, 1981-1983 CJ8, Water Pump (For 2.5L GM)	17104.03
1980-1983 CJ5, 1980-1986 CJ7, 1981-1986 CJ8, Water Pump (For 4.2L With V-Belt)	17104.04
1980-1983 CJ5, 1980-1986 CJ7, 1981-1986 CJ8, 1987-1990 Wrangler (4.2L), Water Pump (For 4.2L With Serpentine Belt) *	17104.13
1983 CJ5, 1983-1986 CJ7, 1983-1986 CJ8, Water Pump (For 2.5L AMC With V-Belt)	17104.04
1983 CJ5, 1983-1986 CJ7, 1983-1986 CJ8, Water Pump (For 2.5L AMC With Serpentine Belt)	17104.05
1991-2002 Wrangler (2.5L), 1987-1990 Wrangler (4.2L), 1991-1999 Wrangler (4.0L), 1987-2000 Cherokee (2.5L), 1991-2000 Cherokee (4.0L), 1998 Grand Cherokee (4.0L), Water Pump *	17104.07
1987-1990 Wrangler (4.2L) (Export), Water Pump (With V-Belt)	17104.06
2003-2006 Wrangler (2.4L), Water Pump	17104.08
1987-2001 Cherokee (4.0L), 1993-1998 Grand Cherokee (4.0L), Water Pump	17104.14
2007-2011 Wrangler (3.8L), 2007-2008 (2.8L Diesel With AT), 2007 Wrangler (2.8L Diesel With MT) Water Pump	17104.22
1993-1998 Grand Cherokee (5.2L), 1998 Grand Cherokee (5.9L), Water Pump	17104.17
1999-2004 Grand Cherokee (4.0L), 2000-2006 Wrangler (4.0L), Water Pump	17104.20
1999-2004 Grand Cherokee (4.7L), Water Pump	17104.19
2005-2008 Grand Cherokee (5.7L), 2006-2009 Grand Cherokee (6.1L), Water Pump	17104.21
2002-2005 Liberty (2.4L), Water Pump	17104.08
2002-2007 Liberty (3.7L), 2005-2007 Grand Cherokee (3.7 & 4.7), Water Pump	17104.18
2007-2011 Compass & Patriot (2.0L & 2.4L), Water Pump NEW	17104.23

N. Water Pump Gaskets & Components

	Part#
1941-1945 MB, 1941-1945 GPW, 1945-1949 CJ2A, 1948-1953 CJ3A, 1953-1967 CJ3B, 1955-1971 CJ5, 1955-1971 CJ6, Water Pump Service Kit (For 134 CI)	17104.80
1941-1945 MB, 1941-1945 GPW, 1945-1949 CJ2A, 1948-1953 CJ3A, 1953-1967 CJ3B, 1955-1971 CJ5, 1955-1971 CJ6, Water Pump Impeller (For 134 CI)	17104.84
1941-1945 MB, 1941-1945 GPW, 1945-1949 CJ2A, 1948-1953 CJ3A, 1953-1967 CJ3B, 1955-1971 CJ5, 1955-1971 CJ6, Water Pump Impeller Fiber Washer (For 134 CI)	17104.85
1941-1945 MB, 1941-1945 GPW, 1945-1949 CJ2A, 1948-1953 CJ3A, 1953-1967 CJ3B, 1955-1971 CJ5, 1955-1971 CJ6, Water Pump Impeller Shaft Seal (For 134 CI)	17104.86
1941-1945 MB, 1941-1945 GPW, 1945-1949 CJ2A, 1948-1953 CJ3A, 1953-1967 CJ3B, 1955-1971 CJ5, 1955-1971 CJ6, Water Pump Impeller Bearing (For 134 CI)	17104.83
1941-1945 MB, 1941-1945 GPW, 1945-1949 CJ2A, 1948-1953 CJ3A, 1953-1967 CJ3B, 1955-1971 CJ5, 1955-1971 CJ6, Water Pump Gasket (For 134 CI)	17117.50
1950-1971 M38 & M38-A1, Coolant Bypass Fitting NEW	17104.90
1981-1986 (2.5 & 4.2L) CJ, Wrangler 1987-1999 (2.5L, 4.2L & 4.0L), Cherokee 1987-1999 (4.0L), Grand Cherokee 1993-1998 (4.0L), Water Pump Gasket	17104.81
2007-2011 Wrangler (3.8L), Water Pump Gasket NEW	17119.04
1999-2004 Grand Cherokee (4.7L), 2002-2007 Liberty (3.7L), Water Pump Gasket	17119.03
2007-2012 Compass & Patriot (2.0L & 2.4L), Water Pump Outlet Gasket NEW	17104.87
2007-2012 Compass & Patriot (2.0L & 2.4L), Water Pump Inlet Gasket NEW	17104.88

* 1987-1990 Wrangler (4.2L) Use 17104.07 For V-Belt And 17104.05 For Serpentine Belt



[O] 17103.01



[Q] 17117.03



[R] 17118.03



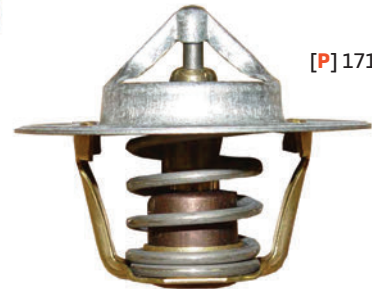
[Q] 17117.05



[R] 17118.05



[P] 17106.03



[P] 17106.01

O. Overflow Reservoir**Part#**

1981-1983 CJ5, 1981-1986 CJ7, 1981-1986 CJ8, 1987-1995 Wrangler, Radiator Coolant Overflow Reservoir	17103.01
1987-1990 Cherokee (4.0L), 1985-1994 Cherokee (2.1L Diesel), Radiator Coolant Overflow Reservoir	17103.02
1997-2006 Wrangler, Radiator Coolant Overflow Reservoir	17103.04
2007-2011 Wrangler, Radiator Coolant Overflow Reservoir	17103.06
2007-2013 Compass & Patriot, Radiator Coolant Overflow Reservoir	17103.05

P. Thermostats**Part#**

1941-1945 MB, 1941-1945 GPW, 1945-1949 CJ2A, 1948-1953 CJ3A, 1950-1952 M38, 1952-1971 M38A1, 1953-1967 CJ3B, 1955-1971 CJ5, 1955-1971 CJ6, 1946-1964 Truck, 1946-1964 Station Wagon, 1948-1951 Jeepster, Thermostat 160°, [For 134 CI, 161 CI & 226 CI Engines]	17106.01
1941-1945 MB, 1941-1945 GPW, 1945-1949 CJ2A, 1948-1953 CJ3A, 1950-1952 M38, 1952-1971 M38A1, 1953-1967 CJ3B, 1955-1971 CJ5, 1955-1971 CJ6, 1946-1964 Truck, 1946-1964 Station Wagon, 1948-1951 Jeepster, Thermostat 180°, [For 134 CI, 161 CI & 226 CI Engines]	17106.02
1972-1983 CJ5 (4.2L & 5.0L), 1972-1976 CJ6 (4.2L & 5.0L), 1976-1986 CJ7 (2.5L AMC, 4.2L & 5.0L), 1981-1986 CJ8 (2.5L AMC, 4.2L & 5.0L), 1987-2006 Wrangler (2.4L, 2.5L AMC & 4.0L), 1997-2001 Cherokee (2.5L & 4.0L), 1993-1998 Grand Cherokee (5.2L & 5.9L), Thermostat 195°	17106.03
2007-2011 Wrangler (3.8L), Thermostat 195°	17106.06
1993-1998 Grand Cherokee (5.2L) 1999-2009 Grand Cherokee (4.7L), 2005-2010 Grand Cherokee (3.7L), 2005-2002-2007 Liberty (3.7L), Thermostat 195°	17106.05

Q. Thermostat Gaskets**Part#**

1941-1945 MB, 1941-1945 GPW, 1945-1949 CJ2A, 1948-1953 CJ3A, 1950-1952 M38, Thermostat Gasket [For 134 CI With L-Head]	17117.01
1941-1945 MB, 1941-1945 GPW, 1945-1949 CJ2A, 1948-1953 CJ3A, 1950-1952 M38, Thermostat Retainer [For 134 CI With L-Head]	17107.01
1952-1971 M38A1, 1953-1967 CJ3B, 1955-1971 CJ5, 1955-1971 CJ6, Thermostat Gasket, [For 134 CI With F-Head]	17117.02
1972-1983 CJ5, 1972-1975 CJ6, 1976-1986 CJ7, 1981-1986 CJ8, 1987-1990 Wrangler, Thermostat Gasket [For 4.2L]	17117.03
1972-1983 CJ5, 1972-1975 CJ6, 1976-1981 CJ7, 1981 CJ8, Thermostat Gasket [For 5.0L]	17117.04
1993-1998 Grand Cherokee(5.2L), Thermostat Gasket NEW	17117.05

R. Thermostat Housing**Part#**

1952-1971 M38A1, 1953-1967 CJ3B, 1955-1971 CJ5, 1955-1971 CJ6, Thermostat Housing, [For 134 CI With F-Head]	17118.01
1972-1983 CJ5, 1972-1975 CJ6, 1976-1986 CJ7, 1981-1986 CJ8, Thermostat Housing [For 3.8L & 4.2L]	17118.04
1972-1981 CJ5, 1972-1975 CJ6, 1976-1981 CJ7, 1981 CJ8, Thermostat Housing [For 5.0L]	17118.05
1981-1983 CJ5, 1981-1986 CJ7, 1981-1986 CJ8, 1987-1990 Wrangler, Thermostat Housing [For 4.2L]	17118.02
1983 CJ5, 1983-1986 CJ7, 1983-1986 CJ8, Thermostat Housing [For 2.5L AMC]	17118.02
1991-2002 Wrangler (2.5L), 1990-1995 Wrangler (4.0L), Thermostat Housing	17118.03
1984-1987 Cherokee (2.5L), 1987-1990 Cherokee (4.0L), 1987 Wrangler (2.5L), Thermostat Housing	17118.02
1991-2000 Cherokee (2.5L), 1991-2001 Cherokee (4.0L), 1991-2006 Wrangler (2.4L, 2.5L & 4.0L), 1999-2004 Grand Cherokee (4.0L), Thermostat Housing	17118.03
1974-1987 Cherokee (SJ) / Grand Wagoneer (5.9L & 6.6L), Fan Clutch, [With Serpentine Belt]	17118.05

S. V-Belts**Part#**

1941-1945 MB, 1941-1945 GPW, 1945-1949 CJ2A, 1948-1953 CJ3A, , 1953-1967 CJ3B, 1955-1971 CJ5, 1955-1971 CJ6, 1946-1964 Truck, 1946-1964 Station Wagon, 1948-1951 Jeepster, V-Belt [For 134 CI]	17110.01
1950-1952 M38, 1952-1971 M38A1, V-Belt Set [For 134 CI], Pair	17110.02
1976-1983 CJ5, 1976-1986 CJ7, 1981-1986 CJ8, V-Belt [For 3.8L, 4.2L & 5.0L]	17110.03
1980-1983 CJ5, 1980-1983 CJ7, 1981-1983 CJ8, V-Belt [For 2.5L GM]	17110.05
1985-1994 Cherokee (2.1L Diesel), 1995-1996 Cherokee (2.5L Diesel), V-Belt, Power Steering	17110.08

* In Some Cases The Firewall Hole May Need To Be Enlarged

Cooling System



[T] 17111.05

[U] 17112.02



[U] 17112.01



[V] 17112.50



T. Serpentine Belts

	Part#
1980-1983 CJ5, 1980-1983 CJ7, 1981-1983 CJ8, V-Belt, Power Steering (For 2.5L GM)	17110.06
1981-1982 CJ5, 1981-1982 CJ7, Serpentine Belt (For 4.2L Without AC, With PS)	17110.07
1981-1982 CJ5, 1981-1982 CJ7, Serpentine Belt (For 4.2L With AC, With PS)	17111.42
1987-1990 Wrangler (4.2L With AC, Without PS), Serpentine Belt	17111.27
1987-1990 Wrangler (4.2L With AC, With PS), Serpentine Belt	17111.28
1991-1994 Wrangler (2.5L & 4.0L Without AC, With PS), Serpentine Belt	17111.15
1991-1993 Wrangler (2.5L & 4.0L With AC, With PS), Serpentine Belt	17111.06
1991-1995 Wrangler (2.5L & 4.0L Without AC, Without PS), Serpentine Belt	17111.08
1994-1995 Wrangler (RHD) (2.5L & 4.0L Without AC, With PS), Serpentine Belt	17111.15
1995 Wrangler (2.5L & 4.0L Without AC, With PS), Serpentine Belt	17111.12
1995-1998 Wrangler (2.5L & 4.0L With AC, With PS), Serpentine Belt	17111.18
1997-2002 Wrangler (2.5L Without AC, Without PS), Serpentine Belt	17111.11
1997-2002 Wrangler (2.5L Without AC, With PS), 1997-1999 Wrangler (4.0L Without AC, Without PS), Serpentine Belt	17111.12
2000-2006 Wrangler (4.0L Without AC), Serpentine Belt	17111.21
2000-2006 Wrangler (4.0L With AC), Serpentine Belt	17111.23
2003-2006 Wrangler (2.4L With AC), Serpentine Belt	17111.31
2007-2011 Wrangler (3.8L Without AC), Serpentine Belt	17111.39
2007-2011 Wrangler (3.8L With AC), Serpentine Belt	17111.38
2012-2014 Wrangler (3.6L), Serpentine Belt NEW	17111.51
1984-1990 Cherokee (2.5L Without AC), Serpentine Belt	17111.05
1984-1990 Cherokee (2.5L With AC), Serpentine Belt	17111.03
1987-1990 Cherokee (4.0L), Serpentine Belt	17111.04
1991-1995 Cherokee (2.5L With AC, With PS), Serpentine Belt	17111.06
1991-1995 Cherokee (2.5L Without AC, With PS), 1993-1995 Grand Cherokee (4.0L Without AC), Serpentine Belt	17111.15
1991-1993 Cherokee (2.5L Without AC, Without PS), Serpentine Belt	17111.08
1991-1995 Cherokee (4.0L), Serpentine Belt	17111.13
1991-1995 Cherokee (RHD) (4.0L), Serpentine Belt	17111.14
1996-2000 Cherokee (2.5L Without AC), Serpentine Belt	17111.12
1996-2000 Cherokee (2.5L With AC, With PS), Serpentine Belt	17111.18
1996-2000 Cherokee (RHD) (2.5L Without AC), Serpentine Belt	17111.16
1996-2000 Cherokee (RHD) (2.5L With AC), Serpentine Belt	17111.17
1996-2001 Cherokee (4.0L), Serpentine Belt	17111.17
1996-2001 Cherokee (RHD) (4.0L), Serpentine Belt	17111.1
1993-1995 Grand Cherokee (4.0L Without AC), Serpentine Belt	17111.24
1993-1994 Grand Cherokee (5.2L), Serpentine Belt	17111.07
1995-1996 Grand Cherokee (5.2L), Serpentine Belt	17111.26
1996-1998 Grand Cherokee (4.0L), 1997-2002 Wrangler (2.5L With AC), Serpentine Belt	17111.09
1993-1995 Grand Cherokee (4.0L With AC), Serpentine Belt	17111.01
1993-1995 Grand Cherokee (2.5L Diesel), Serpentine Belt	17111.40
1996-1998 Grand Cherokee (RHD) (4.0L With AC, With 117 or 136 Amp Alternator), Serpentine Belt	17111.1
1996 Grand Cherokee (2.5L Diesel), Serpentine Belt	17111.35

1997-1998 Grand Cherokee (5.2L), 1998 Grand Cherokee (5.9L), Serpentine Belt	17111.19
1999-2004 Grand Cherokee (4.7L), Serpentine Belt	17111.22
1999-2004 Grand Cherokee (4.0L), Serpentine Belt	17111.23
1999-2001 Grand Cherokee (Export Models) (3.1L Diesel), Serpentine Belt	17111.30
2005-2006 Grand Cherokee (3.7L & 4.7L), Serpentine Belt	17111.33
2005-2006 Grand Cherokee (3.7L & 4.7L), Serpentine Belt, Accessory Drive	17111.34
2005-2008 Grand Cherokee (5.7L), Serpentine Belt	17111.36
2006-2010 Grand Cherokee (6.1L), Serpentine belt	17111.43
2009-2010 Grand Cherokee (5.7L), Serpentine belt	17111.44
2011-2012 Grand Cherokee (3.6L With Electro Hydraulic Power Steering), Serpentine belt	17111.45
2011-2012 Grand Cherokee (3.6L With Mechanical Steering), Serpentine belt	17111.46
2011-2012 Grand Cherokee (5.7L), Serpentine Belt NEW	17111.50
2002-2005 Liberty (2.4L With AC), Serpentine Belt	17111.31
2002-2003 Liberty (2.5L Diesel), 2005-2006 Liberty (2.8L Diesel), Serpentine Belt	17111.37
2005-2010 Commander & Grand Cherokee (3.0L Diesel), Serpentine Belt NEW	17111.47
2007-2010 Compass & Patriot (2.0L & 2.4L Without AC), Serpentine Belt NEW	17111.48
2007-2010 Compass & Patriot (2.0L & 2.4L), Serpentine Belt NEW	17111.49

U. Idler Pulley

	Part#
1997-2002 Wrangler (2.5L), 2000-2006 Wrangler (4.0L), Idler Pulley	17112.02
2000-2006 Wrangler (4.0L), 1999-2004 Grand Cherokee (4.0L), 1999-2007 Grand Cherokee (4.7), Idler Pulley	17112.02
1991-1996 Cherokee (4.0L), 1993-1996 Grand Cherokee (4.0L) Upper, Idler Pulley	17112.01
1996-2001 Cherokee (RHD) (4.0L), 2001-2002 Wrangler (2.5L), Upper Idler Pulley	17112.04
1993-1998 Grand Cherokee (5.2L), 1998 Grand Cherokee (5.9L), Idler Pulley	17112.03
1997-1998 Grand Cherokee (4.0L), Upper Idler Pulley	17112.04
2002-2005 Liberty (2.4L), Idler Pulley	17112.05
2007-2011 Wrangler (3.8L), Grand Cherokee 2007-2010 (5.7L & 6.1L), Idler Pulley	17112.07
2011-2012 Grand Cherokee (5.7L), Idler Pulley NEW	17112.11
2007-2011 Compass & Patriot (2.0L & 2.4L), Lower Idler Pulley NEW	17112.12
2007-2011 Compass & Patriot (2.0L & 2.4L), Upper Idler Pulley NEW	17112.13

V. Tensioner

	Part#
2005-2006 Wrangler (4.0L), Tensioner With Idler Pulley	17112.09
1993-1998 Grand Cherokee (5.2L), 1998 Grand Cherokee (5.9L), Tensioner With Idler Pulley	17112.50
1999-2004 Grand Cherokee (4.0L), 1999-2007 Grand Cherokee (4.7), 2002-2006 Grand Cherokee (3.7L), 2002-2007 Liberty (3.7) Tensioner With Idler Pulley	17112.51
2005-2008 Grand Cherokee (5.7L), 2006-2009 Grand Cherokee (6.1L), Tensioner With idler Pulley	17112.55
2002-2005 Liberty (2.4L), Tensioner With Idler Pulley	17112.52
2007-2011 Compass & Patriot (2.0L & 2.4L), Belt Tensioner NEW	17112.56

A. Alternators	Part#
1975-1979 Jeep CJ5 (3.8L, 4.2L & 5.0L), 1975 CJ6 (3.8L, 4.2L & 5.0L), 1976-1979 CJ7 (3.8L, 4.2L & 5.0L), 1975-1979 Cherokee / Grand Wagoneer (SJ) [4.2L, 5.9L & 6.6L], Alternator (63 Amp)	17225.01
1980-1983 CJ5 (2.5L GM, 2.5L AMC & 4.2L), 1980-1986 CJ7 (2.5L GM, 2.5L AMC & 4.2L), 1981-1986 CJ8 (2.5L GM, 2.5L AMC & 4.2L), 1980-1986 Cherokee / Grand Wagoneer [4.2L, 5.9L & 6.6L], Alternator, (63 Amp)	17225.02
1980-1983 CJ5 (2.5L GM, 2.5L AMC & 4.2L), 1980-1986 CJ7 (2.5L GM, 2.5L AMC & 4.2L), 1981-1986 CJ8 (2.5L GM, 2.5L AMC & 4.2L), 1980-1986 Cherokee / Grand Wagoneer [4.2L, 5.9L & 6.6L], Alternator, (94 Amp)	17225.03
1987-1990 Wrangler (2.5L), 1987-1990 Cherokee (2.5L), Alternator (74 Amp)	17225.05
1987-1990 Wrangler (2.5L), 1987-1990 Cherokee (2.5L), Alternator (105 Amp)	17225.04
1991-1999 Wrangler (2.5L & 4.0L), 1991-1998 Cherokee (2.5L & 4.0L), 1993-1998 Grand Cherokee (4.0L), Alternator (90 Amp)	17225.06
1991-1998 Wrangler (2.5L & 4.0L), 1991-1998 Cherokee (2.5L & 4.0L), 1993-1998 Grand Cherokee (4.0L), Alternator (120 Amp)	17225.22
1999-2000 Wrangler (2.5L), 1999 Wrangler (4.0L), 1999-2000 Cherokee (2.5L & 4.0L), Alternator (81 Amp)	17225.21
1999-2000 Wrangler (2.5L), 1999 Wrangler (4.0L), 1999-2000 Cherokee (2.5L & 4.0L), Alternator (117 Amp)	17225.13
2000 Wrangler (4.0L) Alternator (81 Amp)	17225.28
2000 Wrangler (4.0L) Alternator (117 Amp)	17225.26
2001-2002 Wrangler (2.5L), Alternator (117 AMP)	17225.24
2001-2002 Wrangler (4.0L), Alternator (81 AMP)	17225.27
2001-2006 Wrangler (4.0L), Alternator (117 AMP)	17225.31
2007-2011 Wrangler (3.8L), Alternator (140 Amp)	17225.20
2007-2011 Wrangler (3.8L), Alternator (160 Amp)	17225.18
1987-1990 Cherokee (4.0L), Alternator (61 Amp)	17225.08
1987-1990 Cherokee (4.0L), Alternator (105 Amp)	17225.07
2001 Cherokee (4.0L), Alternator (117 Amp)	17225.14
1993-1994 Grand Cherokee (5.2L), Alternator (90 Amp)	17225.09
1995-1998 Grand Cherokee (5.2L), 1998 Grand Cherokee (5.9L), Alternator (90 Amp)	17225.16
1995-1998 Grand Cherokee (5.2L), 1998 Grand Cherokee (5.9L), Alternator (116 Amp)	17225.16
1995-1998 Grand Cherokee (5.2L), 1998 Grand Cherokee (5.9L), Alternator (136 Amp)	17225.23
1999-2004 Grand Cherokee (4.0L), Alternator (132 Amp)	17225.10
1999-2000 Grand Cherokee (4.7L), Alternator (136 Amp)	17225.11
2001-2003 Grand Cherokee (4.7L), 2003-2009 Jeep Liberty (3.7L), Alternator (136 Amp)	17225.15
2005-2006 Grand Cherokee (3.7 & 4.7L) 2002-2007 Liberty (3.7L), Alternator (160 Amp)	17225.25
2005-2009 Grand Cherokee (5.7L), 2006-2010 Grand Cherokee (6.1L), Alternator (160 Amp)	17225.32
2002-2005 Liberty (2.4L), Alternator (136 Amp)	17225.17
2005-2006 Liberty (2.8L Diesel), Alternator (150 Amp)	17225.33
2003-2009 Jeep Liberty (3.7L), Alternator (136 Amp)	17225.19
2002-2005 Liberty (2.4L), Alternator NEW	17225.34

B. Alternator Components	Part#
1976-1983 CJ5, 1976-1986 CJ7, 1981-1986 CJ8, 1976-1990 Cherokee / Grand Wagoneer, Voltage Regulator [Located in Alternator]	17226.01
1976-1983 CJ5, 1976-1986 CJ7, 1981-1986 CJ8, 1976-1990 Cherokee / Grand Wagoneer, Alternator Rectifier	17226.02
1976-1983 CJ5, 1976-1986 CJ7, 1981-1986 CJ8, 1976-1990 Cherokee / Grand Wagoneer, Alternator Trio Diode	17226.03
1976-1983 CJ5, 1976-1986 CJ7, 1981-1986 CJ8, 1976-1990 Cherokee / Grand Wagoneer, Alternator Needle Bearing	17226.04
1976-1983 CJ5, 1976-1986 CJ7, 1981-1986 CJ8, 1976-1990 Cherokee / Grand Wagoneer, Alternator Front Bearing	17226.05
1941-1966 Models, Generator Support Bushing, 2 Required	17470.04
1941-1966 Models, Generator Bolt	17470.05
2008-2009 Grand Cherokee (3.0L), Alternator Pulley NEW	17225.43



C. Starters	Part#
1972-1983 CJ5 (3.8L, 4.2L & 5.0L), 1976-1986 CJ7 (3.8L, 4.2L & 5.0L), 1981-1986 CJ8 (3.8L, 4.2L & 5.0L), 1972-1987 Cherokee / Grand Wagoneer (SJ) [4.2L, 5.9L, 6.6L], Starter	17227.03
1987-1993 Wrangler (2.5L EFI), 1987-1993 Cherokee (2.5L EFI), Starter	17227.04
1988-2000 Wrangler (4.2L & 4.0L), 1987-1998 Cherokee (4.0L), 1993-1998 Grand Cherokee (4.0L), 1988-1991 Cherokee / Grand Wagoneer (SJ) [6.6L], Starter	17227.06
1994-1998 Wrangler (2.5L), 1994-2000 Cherokee (2.5L), Starter	17227.05
1999-2002 Wrangler (2.5L), Starter (With AT)	17227.09
1999-2002 Wrangler (2.5L), Starter (With MT)	17227.10
2003-2006 Wrangler (4.0L), Starter (With AT)	17227.16
2003 Wrangler (2.4L), Liberty (2.4L), Starter	17227.23
2004-2006 Wrangler (2.4L), 2004-2005 Liberty (2.4L), Starter	17227.24
2004-2006 Wrangler (4.0L), Starter (With MT)	17227.13
2007-2008 Wrangler (3.8L With AT or MT), 2009-2011 Wrangler (3.8L With MT), Starter	17227.18
2009-2011 Wrangler (3.8L With AT), Starter	17227.19
1999-2001 Cherokee(4.0L), 1999-2002 Grand Cherokee (4.0L), Starter	17227.08
1993-1998 Grand Cherokee (5.2L), 1998 Grand Cherokee (5.9L)	17227.07
2003-2004 Grand Cherokee (4.0L), Starter	17227.13
2003-2004 Grand Cherokee (4.7L), Starter	17227.14
2005-2010 Grand Cherokee (3.7L), Starter (1.2 Kw)	17227.27
2005-2009 Grand Cherokee (4.7L), 2006-2007 Liberty (3.7L) Starter (1.2 Kw)	17227.17
2005-2008 Grand Cherokee (5.7L), Starter (1.4 Kw)	17227.28
2006-2010 Grand Cherokee (6.1L), Starter	17227.22
2002-2003 Liberty (3.7L), Starter	17227.25
2004-2005 Liberty (3.7L), Starter	17227.26
2008-2010 Liberty (3.7L) Starter (1.2 Kw)	17227.20

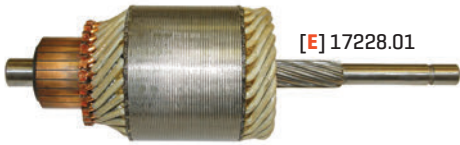
D. Cables	Part#
1941-1971 Willys & Jeep, Solenoid to Starter Cable NEW	17230.08
1941-1971 Willys & Jeep, Battery to Ground Cable NEW	17230.09
1941-1971 Willys & Jeep, Battery to Solenoid Cable NEW	17230.10

Electrical - Distributors & Starter Components

[F] 17230.05



[E] 17228.01



[E] 17229.01



[E] 17228.03



[G] 17239.01



For restoration purposes this distributor has been crafted to look like the original, but on the inside it's a whole new story. The troublesome points have been replaced with a state of the art electromagnetic pickup and a built-in electronic control module. With the hookup of the two simple wires (installation instructions included), this distributor will improve the performance and driveability of any 12-volt 34-engine. No more fooling around in trying to get the points adjusted to the correct setting. Just drop in, plug in and go. (Will not work with 6-volt models and is not original for M38 or M38A1).
For replacement parts specifically for this distributor, order module #17252.05, cap #17244.02, and rotor 17246.02.

E. Starter Components

Part#

MB 1941-1945, Ford GPW 1941-1945, CJ2A 1945-1949, CJ3A 1948-1953, Starter Brush Set [134 CI]	17228.13
1972-1977 CJ5 [3.8L, 4.2L & 5.0L], 1976-1977 CJ7 [3.8L, 4.2L & 5.0L], 1972-1977 Cherokee / Grand Wagoneer [SJ] [4.2L, 5.9L, 6.6L], Starter Bushing [9/16"]	17228.09
1978-1983 CJ5 [3.8L, 4.2L & 5.0L], 1978-1986 CJ7 [3.8L, 4.2L & 5.0L], 1981-1986 CJ8 [3.8L, 4.2L & 5.0L], 1978-1987 Cherokee / Grand Wagoneer [SJ] [4.2L, 5.9L, 6.6L], Starter Armature Bushing [Housing End Bushing]	17228.12
1954-1964 Truck [226 CI], 1954-1964 Station Wagon [226 CI], Starter Brush Set	17228.11
1972-1977 CJ5 [3.8L, 4.2L & 5.0L], 1976-1977 CJ7 [3.8L, 4.2L & 5.0L], 1972-1977 Cherokee / Grand Wagoneer [SJ] [4.2L, 5.9L, 6.6L], Starter Brush Set	17228.10
1988-2000 Wrangler [4.2L & 4.0L], 1987-1998 Cherokee [4.0L], 1993-1998 Grand Cherokee [4.0L], 1988-1991 Cherokee / Grand Wagoneer [SJ] [6.6L], Starter Brush Set	17228.06
1988-2000 Wrangler [4.2L & 4.0L], 1987-1998 Cherokee [4.0L], 1993-1998 Grand Cherokee [4.0L], 1988-1991 Cherokee / Grand Wagoneer [SJ] [6.6L], Starter Brush Holder	17228.07
1953-1967 CJ3B, 1955-1971 CJ5, 1955-1971 CJ6, Starter Drive [With 134 CI] *	17229.01
1953-1967 CJ3B, 1955-1971 CJ5, 1955-1971 CJ6, 1946-1964 Truck, 1946-1964 Station Wagon, Starter Drive [With 134 CI or 226] **	17229.02
1972-1983 CJ5 [3.8L, 4.2L & 5.0L], 1976-1986 CJ7 [3.8L, 4.2L & 5.0L], 1981-1986 CJ8 [3.8L, 4.2L & 5.0L], 1972-1987 Cherokee / Grand Wagoneer [SJ] [4.2L, 5.9L, 6.6L], Starter Drive	17229.03
1988-2000 Wrangler [4.2L & 4.0L], 1987-1998 Cherokee [4.0L], 1993-1998 Grand Cherokee [4.0L], 1988-1991 Cherokee / Grand Wagoneer [SJ] [6.6L], Starter Drive	17229.04
1972-1977 CJ5 [3.8L, 4.2L & 5.0L], 1976-1977 CJ7 [3.8L, 4.2L & 5.0L], 1972-1977 Cherokee / Grand Wagoneer [SJ] [4.2L, 5.9L, 6.6L], Starter End Housing	17228.04
1978-1983 CJ5 [3.8L, 4.2L & 5.0L], 1978-1986 CJ7 [3.8L, 4.2L & 5.0L], 1981-1986 CJ8 [3.8L, 4.2L & 5.0L], 1978-1987 Cherokee / Grand Wagoneer [SJ] [4.2L, 5.9L, 6.6L], Starter End Housing	17228.05
1972-1983 CJ5 [3.8L, 4.2L & 5.0L], 1976-1986 CJ7 [3.8L, 4.2L & 5.0L], 1981-1986 CJ8 [3.8L, 4.2L & 5.0L], 1972-1987 Cherokee / Grand Wagoneer [SJ] [4.2L, 5.9L, 6.6L], Starter Armature	17228.01
1972-1983 CJ5 [3.8L, 4.2L & 5.0L], 1976-1986 CJ7 [3.8L, 4.2L & 5.0L], 1981-1986 CJ8 [3.8L, 4.2L & 5.0L], 1972-1987 Cherokee / Grand Wagoneer [SJ] [4.2L, 5.9L, 6.6L], Starter Points Set	17228.02
1972-1983 CJ5 [3.8L, 4.2L & 5.0L], 1976-1986 CJ7 [3.8L, 4.2L & 5.0L], 1981-1986 CJ8 [3.8L, 4.2L & 5.0L], 1972-1987 Cherokee / Grand Wagoneer [SJ] [4.2L, 5.9L, 6.6L], Starter Coil Field	17228.03

* Autolite MCH-6203, MCH-6307, MCM-6005, MDU-6005, MDU-7004 w/6 or 12 Volt

** Starter MDU-7003, 7004 w/ 12 Volt

F. Starter Solenoids

Part#

1953-1967 CJ3B, 1955-1971 CJ5, 1955-1971 CJ6, 1946-1964 Truck, 1946-1964 Station Wagon, Starter Solenoid *	17230.01
1972-1979 CJ5, 1972-1975 CJ, 1976-1979 CJ7, 1972-1979 Cherokee / Grand Wagoneer [SJ], Starter Solenoid	17230.02
1980-1983 CJ5, 1980-1986 CJ7, 1981-1986 CJ8, 1980-1986 Cherokee / Grand Wagoneer [SJ], Starter Solenoid [With AT]	17230.04
1980-1983 CJ5, 1980-1986 CJ7, 1981-1986 CJ8, 1980-1986 Cherokee / Grand Wagoneer [SJ], Starter Solenoid [With MT]	17230.03
1983 CJ5, 1983-1986 CJ7, 1983-1986 CJ8, Starter Solenoid [With MT]	17230.05
1987-1990 Wrangler [4.2L], 1987-1990 Cherokee [4.0L], 1987-1990 Cherokee [2.1L Diesel], Starter Solenoid	17230.06
1988-1990 Wrangler [4.2L], 1991-1995 Wrangler [4.0L], 1987-1996 Cherokee [4.0L], 1993-1996 Grand Cherokee [4.0L], Starter Solenoid [In Bosch Starters]	17230.07

G. New Distributors

Part#

1941-1945 MB, 1941-1945 Ford GPW, 1945-1949 CJ2A, 1948-1953 CJ3A, 1953-1967 CJ3B, 1952-1971 M38A1, 1955-1971 CJ5, 1955-1971 CJ6, 1946-1964 Truck, 1946-1964 Station Wagon, Distributor, Electronic Solid State [For 134 CI] UPGRADED*	17239.01
1954-1964 Truck and Station Wagon, Electronic Solid State [For 226 CI] UPGRADED	17239.08
1978-1983 CJ5, 1978-1986 CJ7, 1981-1986 CJ8, 1978-1990 Cherokee / Grand Wagoneer [SJ], Distributor [For 4.2L]	17239.02
1978-1983 CJ5, 1978-1986 CJ7, 1981-1986 CJ8, 1978-1990 Cherokee / Grand Wagoneer [SJ], Distributor Kit [For 4.2L], With Cap & Rotor	17239.03
1978-1981 CJ5 [5.0L], 1978-1981 CJ7 [5.0L], 1981 CJ8 [5.0L], 1978-1991 Cherokee / Grand Wagoneer [SJ] [5.9L & 6.6L] Distributor Kit, With Cap & Rotor	17239.06
1991-1993 Wrangler, 1991-1993 Cherokee, 1993 Grand Cherokee, Distributor [For 4.0L]	17239.04
1994-1997 Wrangler, 1994-1997 Cherokee, 1994-1997 Grand Cherokee, Distributor [For 4.0L]	17239.05

* R Volt Only

H. Distributor Caps	Part#
1941-1945 MB, 1941-1945 Ford GPW, 1945-1949 CJ2A, 1948-1953 CJ3A, 1953-1958 CJ3B, 1955-1958 CJ5, 1955-1958 CJ6, 1946-1958 Truck, 1946-1958 Station Wagon, 1948-1951 Jeepster, Distributor Cap [6 Volt]	17244.01
1950-1952 M38, 1952-1971 M38A1, Distributor Cap [24 Volt]	17244.03
1953-71 M38A1 4 Cyl, 24V	17244.03
1959-1967 CJ3B, 1959-1971 CJ5, 1959-1971 CJ6, 1959-1964 Truck, 1959-1964 Station Wagon, Distributor Cap [12 Volt]	17244.02
1954-1964 Truck & Station Wagon [226 CI], 1962-1965 Truck & Station wagon [230 CI], 1963-1964 Wagoneer / Gladiator [230 CI], Distributor Points	17244.06
1972-1974 CJ5 [3.8L & 4.2L], 1972-1974 CJ6 [3.8L & 4.2L], 1972-1974 Cherokee / Grand Wagoneer [SJ] [4.2L], Distributor Cap [Points Style]	17244.07
1972-1974 CJ5 [5.0L], 1972-1974 CJ6 [5.0L], 1972-1974 Cherokee / Grand Wagoneer [SJ] [5.9L & 6.6L], Distributor Cap [Points Style]	17244.13
1975-1977 CJ5 [3.8L & 4.2L], 1975-1977 CJ6 [3.8L & 4.2L], 1975-1977 Cherokee / Grand Wagoneer [SJ] [4.2L], Distributor Cap [Prestolite]	17244.08
1975-1977 CJ5 [5.0L], 1975-1977 CJ6 [5.0L], 1975-1977 Cherokee / Grand Wagoneer [SJ] [5.9L & 6.6L], Distributor Cap [Prestolite]	17244.14
1978-1983 CJ5, 1978-1986 CJ7, 1981-1986 CJ8, 1987-1990 Wrangler, 1978-1990 Cherokee / Grand Wagoneer [SJ], Distributor Cap [For 4.2L]	17244.09
1978-1981 CJ5 [5.0L], 1978-1981 CJ7 [5.0L], 1981 CJ8 [5.0L], 1978-1991 Cherokee / Grand Wagoneer [SJ] [5.9L & 6.6L] Distributor Cap	17244.15
1983 CJ5, 1983-1986 CJ7, 1983-1986 CJ8, 1987-1990 Wrangler, 1984-1990 Cherokee, Distributor Cap [2.5L AMC]	17244.04
1991-2002 Wrangler [2.5L], 1991-2000 Cherokee [2.5L], Distributor Cap	17244.05
1991-1993 Wrangler [4.0L], 1987-1993 Cherokee [4.0L], 1993 Grand Cherokee [4.0L], Distributor Cap	17244.10
1994-2000 Wrangler [4.0L], 1994-2000 Cherokee [4.0L], 1994-1998 Grand Cherokee [4.0L], Distributor Cap	17244.11
1993-1998 Grand Cherokee [5.2L], 1998 Grand Cherokee [5.9L], Distributor Cap	17244.16

I. Distributor Condensers	Part#
1941-1945 MB, 1941-1945 Ford GPW, 1945-1949 CJ2A, 1948-1953 CJ3A, 1953-1967 CJ3B, 1955-1971 CJ5, 1955-1971 CJ6, 1946-1964 Truck, 1946-1964 Station Wagon, Distributor Condenser [For 134 CI]	17242.01
1966-1971 CJ5 & CJ6 [225 CI], Distributor Condenser	17242.02
1972-1974 CJ5 [3.8L & 4.2L], 1972-1974 CJ6 [3.8L & 4.2L], 1972-1974 Cherokee / Grand Wagoneer [SJ] [4.2L], Distributor Condenser	17242.03
1972-1974 CJ5 [5.0L], 1972-1974 CJ6 [5.0L], 1972-1974 Cherokee / Grand Wagoneer [SJ] [5.9L & 6.6L], Distributor Condenser	17242.02

J. Distributor Points	Part#
1941-1945 MB, 1941-1945 Ford GPW, 1945-1949 CJ2A, 1948-1953 CJ3A, 1953-1967 CJ3B, 1955-1971 CJ5, 1955-1971 CJ6, 1946-1964 Truck, 1946-1964 Station Wagon, Distributor Points [For 134 CI]	17243.01
1954-1964 Truck & Station Wagon [226 CI], 1962-1965 Truck & Station wagon [230 CI], 196-1964 Wagoneer / Gladiator [230 CI], Distributor Points	17243.02
1966-1971 CJ5 [225 CI], 1966-1971 CJ6 [225 CI], 1972-1974 CJ5 [5.0L], 1972-1974 CJ6 [5.0L], 1972-1974 Cherokee / Grand Wagoneer [SJ] [5.9L & 6.6L], Distributor Points	17243.04
1972-1974 CJ5 [3.8L & 4.2L], 1972-1974 CJ6 [3.8L & 4.2L], 1972-1974 Cherokee / Grand Wagoneer [SJ] [4.2L], 1965- 1970 J Series Truck, Distributor Points	17243.03



[H] 17244.07



[K] 17246.14



[I] 17242.01

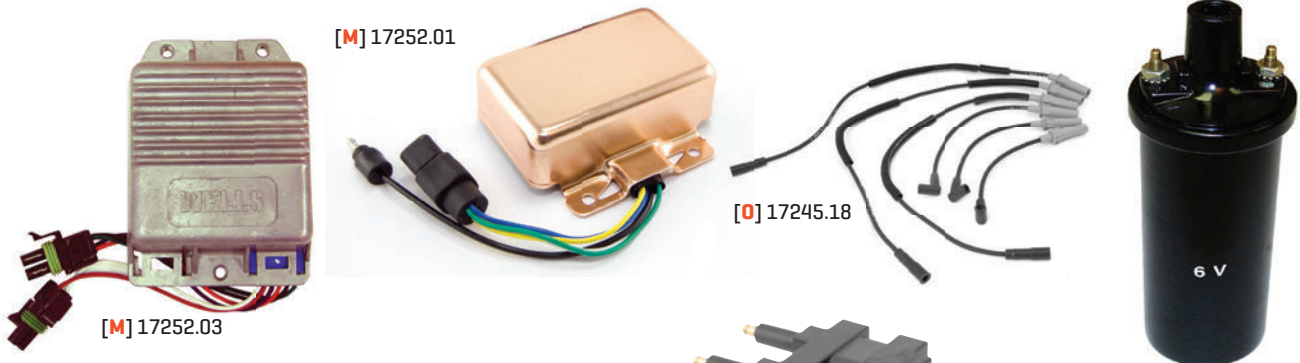


[L] 17241.01

K. Distributor Rotors	Part#
1941-1945 MB, 1941-1945 Ford GPW, 1945-1949 CJ2A, 1948-1953 CJ3A, 1953-1958 CJ3B, 1955-1958 CJ5, 1955-1958 CJ6, 1946-1958 Truck, 1946-1958 Station Wagon, 1948-1951 Jeepster, Distributor Rotor [6 Volt]	17246.01
1954-1964 Truck & Station Wagon [226 CI], Distributor Rotor	17246.20
1959-1967 CJ3B, 1959-1971 CJ5, 1959-1971 CJ6, 1959-1964 Truck, 1959-1964 Station Wagon, Distributor Rotor [12 Volt]	17246.02
1972-1974 CJ5 [3.8L & 4.2L], 1972-1974 CJ6 [3.8L & 4.2L], 1972-1974 Cherokee / Grand Wagoneer [SJ] [4.2L], 1965- 1970 J Series Truck, Distributor Rotor	17246.07
1972-1974 CJ5 [5.0L], 1972-1974 CJ6 [5.0L], 1972-1974 Cherokee / Grand Wagoneer [SJ] [5.9L], 1965-1970 J Series Truck, Distributor Rotor	17246.12
1975-1977 CJ5 [3.8L & 4.2L], 1975-1977 CJ6 [3.8L & 4.2L], 1975-1977 Cherokee / Grand Wagoneer [SJ] [4.2L], Distributor Rotor [Prestolite]	17246.08
1975-1977 CJ5 [5.0L], 1975-1977 CJ6 [5.0L], 1975-1977 Cherokee / Grand Wagoneer [SJ] [5.9L & 6.6L], Distributor Rotor [Prestolite]	17246.13
1978-1983 CJ5, 1978-1986 CJ7, 1981-1986 CJ8, 1987-1990 Wrangler, 1978-1990 Cherokee / Grand Wagoneer [SJ], Distributor Rotor [For 4.2L]	17246.09
1978-1981 CJ5 [5.0L], 1978-1981 CJ7 [5.0L], 1981 CJ8 [5.0L], 1978-1991 Cherokee / Grand Wagoneer [SJ] [5.9L & 6.6L] Distributor Rotor	17246.14
1983 CJ5, 1983-1986 CJ7, 1983-1986 CJ8, 1987-1990 Wrangler, 1984-1990 Cherokee, Distributor Rotor [2.5L AMC]	17246.04
1991-1993 Wrangler, 1987-1993 Cherokee, 1993 Grand Cherokee, Distributor Rotor [For 4.0L]	17246.05
1994-2000 Wrangler [4.0L], 1994-2000 Cherokee [4.0L], 1994-1998 Grand Cherokee [4.0L], Distributor Rotor	17246.06
1984-1986 Cherokee [2.8L], Distributor Rotor	17244.12
1993-1998 Grand Cherokee [5.2L], 1998 Grand Cherokee [5.9L], Distributor Rotor	17246.15

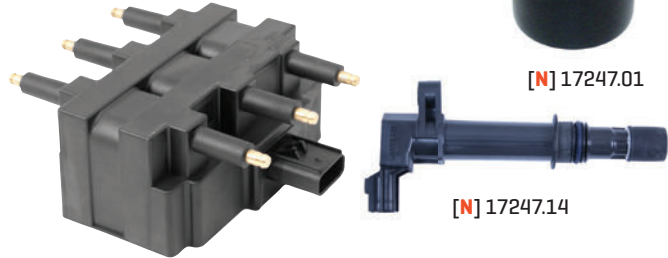
L. Distributor Sensors	Part#
1978-1981 CJ5 [5.0L], 1978-1981 CJ7 [5.0L], 1981 CJ8 [5.0L], 1978-1991 Cherokee / Grand Wagoneer [SJ] [5.9L & 6.6L] Distributor Sensor	17241.01
1987-1990 Wrangler, 1984-1990 Cherokee, Distributor Sensor [2.5L AMC]	17241.02
1991-1995 Wrangler [2.5L & 4.0L], 1991-1997 Cherokee [2.5L & 4.0L], 1993-1997 Grand Cherokee [4.0L], Distributor Switch Plate	17241.03
1998-2002 Wrangler [2.5L & 4.0L], 1998-2000 Cherokee [2.5L], 1998-2001 Cherokee [4.0L], 1998-2002 Grand Cherokee [4.0L], Distributor Switch Plate	17241.05
1993-1997 Grand Cherokee [5.2L], Distributor Switch Plate	17241.04

Electrical - Ignition



M. Ignition Modules

	Part#
1941-1945 MB, 1941-1945 Ford GPW, 1945-1949 CJ2A, 1948-1953 CJ3A, 1953-1967 CJ3B, 1952-1971 M38A1, 1955-1971 CJ5, 1955-1971 CJ6, 1946-1964 Truck, 1946-1964 Station Wagon, Distributor, Ignition Module [For 17239.01]	17252.05
1954-1964 Truck and Station Wagon, Ignition Module [For 17239.08]	17252.06
1975-1977 CJ5 (3.8L, 4.2L & 5.0L), 1975-1977 CJ6 (3.8L, 4.2L & 5.0L), 1975-1977 Cherokee / Grand Wagoneer (SJ) (4.2L), Ignition Module [Prestolite]	17252.01
1978-1979 CJ5 (3.8L), 1978-1983 CJ5 (4.2L) 1983 CJ5 (2.5L AMC), 1978-1979 CJ7 (3.8L), 1978-1986 CJ7 (4.2L), 1983-1986 CJ7 (2.5L AMC), 1981-1986 CJ8 (4.2L), 1983-1986 CJ8 (2.5L AMC), 1987 Wrangler (2.5L & 4.0L), 1984-1987 Cherokee (2.5L), 1978-1987 Cherokee / Grand Wagoneer (SJ) (4.2L, 5.9L & 6.6L), Modules Ignition	17252.02
1987 Wrangler (2.5L & 4.0L), 1984-1987 Cherokee (2.5L), 1978-1987 Cherokee / Grand Wagoneer (SJ) (4.2L, 5.9L & 6.6L), Modules Ignition	17252.03
1988-1990 Wrangler (2.5L & 4.2L), 1988-1990 Cherokee (2.5L & 4.0L)	17252.03



N. Ignition Coils

	Part#
1941-1945 MB, 1941-1945 Ford GPW, 1945-1949 CJ2A, 1948-1953 CJ3A, 1953-1958 CJ3B, 1955-1958 CJ5, 1955-1958 CJ6, 1946-1958 Truck, 1946-1958 Station Wagon, 1948-1951 Jeepster, Ignition Coil (6 Volt)	17247.01
1959-1967 CJ3B, 1959-1971 CJ5, 1959-1971 CJ6, 1959-1964 Truck, 1959-1964 Station Wagon, Ignition Coil (12 Volt)	17247.02
1972-1974 CJ5 (3.8L, 4.2L & 5.0L), 1972-1974 CJ6 (3.8L, 4.2L & 5.0L), 1972-1974 Cherokee / Grand Wagoneer (SJ) (4.2L & 5.9L), Distributor Cap (Points Style)	17247.06
1975-1977 CJ5 (3.8L, 4.2L & 5.0L), 1975-1977 CJ6 (3.8L, 4.2L & 5.0L), 1975-1977 Cherokee / Grand Wagoneer (SJ) (4.2L), Ignition Coil [Prestolite]	17247.07
1978-1983 CJ5 (4.2L) 1983 CJ5 (2.5L AMC), 1978-1986 CJ7 (4.2L), 1983-1986 CJ7 (2.5L AMC), 1981-1986 CJ8 (4.2L), 1983-1986 CJ8 (2.5L AMC), 1987-1990 Wrangler (2.5L & 4.0L), 1984-1990 Cherokee (2.5L), 1978-1990 Cherokee / Grand Wagoneer (SJ) (4.2L), Ignition Coil	17247.03
1991-1997 Wrangler (2.5L & 4.0L), 1991-1997 Cherokee (2.5L & 4.0L), 1993-1997 Grand Cherokee (4.0L & 5.2L), Ignition Coil	17247.04
1998-2002 Wrangler (2.5L), 1998-1999 Wrangler (4.0L), 1998-2000 Cherokee (2.5L), 1998-1999 Cherokee (4.0L), 1998-1999 Grand Cherokee (4.0L), 1998 Grand Cherokee (5.2L & 5.9L), Ignition Coil	17247.05
1999-2004 Grand Cherokee (4.7L), 2002-2007 Liberty (3.7L), 2005-2007 Grand Cherokee (4.7L), 2006-2007 Grand Cherokee (3.7L), Ignition Coil	17247.11
2003-2006 Wrangler (2.4L), 2002-2005 Liberty (2.4L), Ignition Coil	17247.12
2007-2011 Wrangler (3.8L), Ignition Coil	17247.15
1984-1986 Cherokee (2.5L), Ignition Coil	17247.03
1984-1986 Cherokee (2.8L), Ignition Coil	17247.08
1987-1990 Cherokee (2.5L With EFI), Ignition Coil	17247.09
2005 Grand Cherokee (3.7L), Ignition Coil	17247.14
2007-2011 Compass & Patriot (2.4L), Ignition Coil NEW	17247.16



O. Ignition (Spark Plug) Wire Sets

	Part#
1952-1971 M38A1, 1953-1967 CJ3B, 1955-1971 CJ5, 1955-1971 CJ6, Ignition Wire Set, [For 134 CI With F-Head]	17245.02
1954-1964 Truck & Station Wagon (226 CI), 1962-1965 Truck & Station wagon (230 CI), 1963-1964 Wagoneer / Gladiator (230 CI), Wire Set	17245.07
1972-1977 CJ5 (3.8L & 4.2L), 1976-1977 CJ7 (3.8L & 4.2L), 1981-1977 CJ8 (3.8L & 4.2L), 1972-1977 Cherokee / Grand Wagoneer (SJ) (4.2L), Ignition Wire Set	17245.08
1972-1981 CJ5 (5.0L), 1976-1981 CJ7 (5.0L), 1981 CJ8 (5.0L), 1972-1985 Cherokee / Grand Wagoneer (SJ) (5.0L, 5.9L, 6.6L), Ignition Wire Set	17245.13
1978-1983 CJ5, 1978-1986 CJ7, 1981-1986 CJ8, 1987-1990 Wrangler, 1978-1990 Cherokee / Grand Wagoneer (SJ), Ignition Wire Set [For 4.2L]	17245.09
1983 CJ5, 1983-1986 CJ7, 1983-1986 CJ8, 1987-1990 Wrangler, 1984-1990 Cherokee, Ignition Wire Set (2.5L AMC)	17245.05
1991-2002 Wrangler (2.5L), 1991-2000 Cherokee (2.5L), Ignition Wire Set	17245.06
1991-2000 Wrangler (4.0L), 1991-2000 Cherokee (4.0L), 1993-2000 Grand Cherokee (4.0L), Ignition Wire Set	17245.11
2003-2006 Wrangler (2.4L), 2002-2005 Liberty (2.4L), Ignition Wire Set	17245.16
2007-2011 Wrangler (3.8L), Ignition Wire Set	17245.18
1984-1986 Cherokee (2.8L), Ignition Wire Set	17245.15
1987-1990 Cherokee (4.0L), Ignition Wire Set	17245.10
1993-1998 Grand Cherokee (5.2L), 1998 Grand Cherokee (5.9L), Ignition Wire Set	17245.14
2005 Grand Cherokee (5.7L), Ignition Wire Set	17245.17

[P] 17248.04



[Q] 17257.83



Electrical - Ignition



[Q] 17256.15

P. Spark Plugs	Part#
1945-1949 CJ2A, 1948-1953 CJ3A, 1953-1967 CJ3B, 1952-1971 M38A1, 1955-1971 CJ5, 1955-1971 CJ6, 1946-1964 Truck, 1946-1964 Station Wagon, Spark Plug (Non Resistor, Copper Core)	17248.03
1945-1949 CJ2A, 1948-1953 CJ3A, 1953-1967 CJ3B, 1952-1971 M38A1, 1955-1971 CJ5, 1955-1971 CJ6, 1946-1964 Truck, 1946-1964 Station Wagon, Spark Plug (Non Resistor, Copper Core)	RJ8C
1950-1952 M38, 1952-1971 M38A1, Spark Plug (Resistor, Military Shielded Waterproof) *	17248.01
1972-1977 CJ5 (3.8L, 4.2L & 5.0L), 1972-1975 CJ6 (3.8L, 4.2L & 5.0L), 1976-1977 CJ7 (3.8L, 4.2L & 5.0L), 1972-1977 Cherokee / Grand Wagoneer (SJ) (4.2L), 1972-1990 Cherokee / Grand Wagoneer (SJ) (5.9L & 6.6L), Distributor Cap (Points Style)	RN14YC
1950-1952 M38, 1952-1971 M38A1, Spark Plug (Resistor, Military Shielded Waterproof) **	17248.02
1978-1979 CJ5 (3.8L & 4.2L), 1978-1979 CJ7 (3.8L & 4.2L), 1978-1987 Cherokee / Grand Wagoneer (SJ) (4.2L, 5.9L & 6.6L), Spark Plug (Non Resistor, Copper Core)	RN13LYC
1954-1964 Truck & Station Wagon (226 CI), Spark Plug	17248.03
1980-1983 CJ5 (2.5L GM), 1980-1983 CJ7 (2.5L GM), 1981-1983 CJ8 (2.5L GM), Spark Plug (Resistor, Copper Core)	RV17YC6
1972-1977 CJ5 (3.8L, 4.2L & 5.0L), 1972-1975 CJ6 (3.8L, 4.2L & 5.0L), 1976-1977 CJ7 (3.8L, 4.2L & 5.0L), 1972-1977 Cherokee / Grand Wagoneer (SJ) (4.2L), 1972-1990 Cherokee / Grand Wagoneer (SJ) (5.9L & 6.6L), Distributor Cap (Points Style)	17248.05
1980-1983 CJ5 (4.2L), 1983 CJ5 (2.5L AMC), 1980-1986 CJ7 (4.2L), 1983-1986 CJ7 (2.5L AMC), 1981-1986 CJ8 (4.2L), 1983-1986 CJ8 (2.5L AMC), 1987-1990 Wrangler (2.5L & 4.0L), 1984-1985 Cherokee (2.5L), 1978-1987 Cherokee / Grand Wagoneer (SJ) (4.2L, 5.9L & 6.6L), Spark Plug (Resistor, Copper Core)	RFN14LY
1978-1979 CJ5 (3.8L & 4.2L), 1978-1979 CJ7 (3.8L & 4.2L), 1978-1987 Cherokee / Grand Wagoneer (SJ) (4.2L, 5.9L & 6.6L), Spark Plug (Non Resistor, Copper Core)	17248.06
1987-1998 Wrangler (2.5L), 1991-1998 Wrangler (4.0L), 1986-1998 Cherokee (2.5L), 1991-1998 Cherokee (4.0L), 1993-1998 Grand Cherokee (4.0L), Spark Plug (Resistor, Copper Core)	RC12LYC
1980-1983 CJ5 (4.2L), 1983 CJ5 (2.5L AMC), 1980-1986 CJ7 (4.2L), 1983-1986 CJ7 (2.5L AMC), 1981-1986 CJ8 (4.2L), 1983-1986 CJ8 (2.5L AMC), 1987-1990 Wrangler (2.5L & 4.0L), 1984-1987 Cherokee (2.5L), 1978-1987 Cherokee / Grand Wagoneer (SJ) (4.2L, 5.9L & 6.6L), Spark Plug (Resistor, Copper Core)	17248.04
1999-2002 Wrangler (2.5L), 1999-2006 Wrangler (4.0L), 1999-2000 Cherokee (2.5L), 1999-2001 Cherokee (4.0L), 1999-2004 Grand Cherokee (4.0L), Spark Plug (Resistor, Copper Core)	RC12ECC
2003-2006 Wrangler (2.4L), 2002-2005 Liberty (2.4L), Spark Plug (Resistor, Copper Core)	RE14MCC5
2007-2011 Wrangler (3.8L), Spark Plug (Resistor, Platinum)	RE14PLP5
1984-1986 Cherokee (2.8L), 1993-1996 Grand Cherokee (5.2L), Spark Plug (Resistor, Copper Core) °	RV12YC
1984-1986 Cherokee (2.8L), 1993-1996 Grand Cherokee (5.2L), Spark Plug (Resistor, Copper Core) °°	RN12YC
1987-1990 Cherokee (4.0L), 2002-2004 Liberty (3.7L), Spark Plug (Resistor, Copper Core)	RC9YC
1997-1998 Grand Cherokee (5.2L), 1998 Grand Cherokee (5.9L), Spark Plug (Resistor, Copper Core)	RC12LC4
1999-2004 Grand Cherokee (4.7L), Spark Plug (Resistor, Copper Core, Heat Range 7)	RC7YC
1999-2004 Grand Cherokee (4.7L), Spark Plug (Resistor, Copper Core, Heat Range 12)	RC12MCC4
1999-2004 Grand Cherokee (4.7L), Spark Plug (Resistor, Platinum)	RC7PYCB4

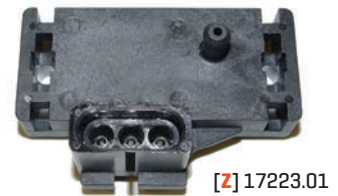
* Autolite #2243 ** Autolite #2245 ° 11.6mm Reach °° 19mm Reach

Q. Tune-Up Kits	Part#
1941-1945 MB, 1941-1945 Ford GPW, Ignition Tune Up Kit (134 CI)	17257.71
1945-1949 CJ2A, 1948-1953 CJ3A, Ignition Tune Up Kit (134 CI)	17257.72
1953-1967 CJ3B, 1955-1966 CJ5, 1955-1966 CJ6, Ignition Tune Up Kit (134 CI)	17257.73
1954-1964 Truck and Station Wagon, Ignition Tune Up Kit (226 CI With Disposable Oil Filter)	17257.78
1954-1964 Truck and Station Wagon, Ignition Tune Up Kit (226 CI With Canister Style Oil Filter)	17257.77
1964-1971 CJ5, 1964-1971 CJ6, Ignition Tune Up Kit (134 CI)	17257.74
1972-1973 CJ5 (3.8L & 4.2L), 1972-1973 CJ6 (3.8L & 4.2L), 1972-1973 Cherokee / Grand Wagoneer (SJ) (4.2L), Ignition Tune Up Kit	17257.79
1972-1974 CJ5 (5.0L), 1972-1974 CJ6 (5.0L), 1972-1974 Cherokee / Grand Wagoneer (SJ) (5.9L & 6.6L), Ignition Tune Up Kit (With Points)	17257.82
1974 CJ5 (3.8L & 4.2L), 1974 CJ6 (3.8L & 4.2L), 1974 Cherokee / Grand Wagoneer (SJ) (4.2L), Ignition Tune Up Kit	17257.80
1975-1977 CJ5 (3.8L & 4.2L), 1975 CJ6 (3.8L & 4.2L), 1976-1977 CJ7 (3.8L & 4.2L), 1975-1977 Cherokee / Grand Wagoneer (SJ) (4.2L) Ignition Tune Up Kit (Prestolite)	17257.81
1975-1977 CJ5 (5.0L), 1975 CJ6 (5.0L), 1976-1977 CJ7 (5.0L), 1981 CJ8 (5.0L), Ignition Tune Up Kit (Prestolite)	17257.83
1978-1979 CJ5 (3.8L), 1978-1983 CJ5 (4.2L), 1978-1979 CJ7 (3.8L), 1978-1986 CJ7 (4.2L), 1981-1986 CJ8 (4.2L), 1978-1979 Cherokee / Grand Wagoneer (SJ) (4.2L), Ignition Tune Up Kit	17256.27
1978-1981 CJ5 (5.0L), 1978-1981 CJ7 (5.0L), 1981 CJ8 (5.0L), Ignition Tune Up Kit	17256.30
1980-1982 CJ5 (4.2L), 1980-1982 CJ7 (4.2L), 1980-1982 CJ8 (4.2L), Ignition Tune Up Kit	17256.28
1983 CJ5 (2.5L AMC), 1983-1986 CJ7 (2.5L AMC), 1983-1986 CJ8 (2.5L AMC), Ignition Tune Up Kit	17257.85
1983 CJ5 (4.2L), 1983-1986 CJ7 (4.2L), 1983-1986 CJ8 (4.2L), Ignition Tune Up Kit	17256.29
1987-1990 Wrangler (2.5L), Ignition Tune Up Kit	17256.12
1987-1990 Wrangler (4.2L), Ignition Tune Up Kit	17256.01
1991-1993 Wrangler (2.5L With Carburetor), Ignition Tune Up Kit	17256.14
1991-1993 Wrangler (2.5L With EFI), Ignition Tune Up Kit	17256.13
1991-1993 Wrangler (4.0L), Ignition Tune Up Kit	17256.02
1994-1995 Wrangler (2.5L), Ignition Tune Up Kit	17256.15
1994-1995 Wrangler (4.0L), Ignition Tune Up Kit	17256.03
1997-1998 Wrangler (2.5L), Ignition Tune Up Kit	17256.16
1997-1998 Wrangler (4.0L), Ignition Tune Up Kit	17256.04
1999-2000 Wrangler (2.5L), Ignition Tune Up Kit	17256.26
1999-2000 Wrangler (4.0L), Ignition Tune Up Kit	17256.25
1987-1990 Cherokee (2.5L), Ignition Tune Up Kit	17256.17
1987-1990 Cherokee (4.2L), Ignition Tune Up Kit	17256.05
1991-1993 Cherokee (2.5L With Carburetor), Ignition Tune Up Kit	17256.18
1991-1993 Cherokee (2.5L With EFI), Ignition Tune Up Kit	17256.19
1991-1993 Cherokee (4.0L), Ignition Tune Up Kit	17256.06
1994-1996 Cherokee (2.5L), Ignition Tune Up Kit	17256.20
1994-1996 Cherokee (4.0L), Ignition Tune Up Kit	17256.07
1997-1998 Cherokee (2.5L), Ignition Tune Up Kit	17256.21
1997-1998 Cherokee (4.0L), Ignition Tune Up Kit	17256.08
1999-2000 Cherokee (2.5L), Ignition Tune Up Kit	17256.22
1999-2000 Cherokee (4.0L), Ignition Tune Up Kit	17256.09
1994-1996 Grand Cherokee (4.0L), Ignition Tune Up Kit	17256.10
1994-1996 Grand Cherokee (5.2L), Ignition Tune Up Kit	17256.23
1997-1998 Grand Cherokee (4.0L), Ignition Tune Up Kit	17256.11
1997-1998 Grand Cherokee (5.2L), 1998 Grand Cherokee (5.9L) Ignition Tune Up Kit	17256.24
1999-2002 Grand Cherokee (4.0L), Ignition Tune Up Kit	17256.35
1999-2002 Grand Cherokee (4.7L), Ignition Tune Up Kit	17256.36

R. Oxygen Sensors	Part#
1981-1982 CJ5, 1981-1982 CJ7, 1981-1982 CJ8, Oxygen Sensor (For 2.5L GM) (Before Cat)	17222.01
1981-1983 CJ5 (4.2L), 1983 CJ5 (2.5L AMC), 1981-1986 CJ7 (4.2L), 1983-1986 CJ7 (2.5L AMC), 1981-1986 CJ8 (4.2L), 1983-1986 CJ8 (2.5L AMC), 1984-1985 Cherokee (2.5L), 1981-1986 Cherokee / Wagoneer (SJ) (4.2L), Oxygen Sensor (Before Cat)	17222.02
1987-1990 Wrangler (4.2L), 1984-1986 Cherokee (2.8L), Oxygen Sensor (Before Cat)	17222.08
1991-1995 Wrangler (2.5L), 1991-1996 Cherokee (2.5L), Oxygen Sensor (Before Cat)	17222.04
1991-1995 Wrangler (4.0L), 1991-1996 Cherokee (4.0L), 1993-1995 Grand Cherokee (5.2L), Oxygen Sensor (Before Cat)	17222.09
1997-1999 Wrangler (2.5L), 1997-1999 Cherokee (2.5L), 1997-1998 Grand Cherokee (5.2L & 5.9L), Oxygen Sensor (Before Cat)	17222.07
1997-1999 Wrangler (2.5L), Oxygen Sensor (After Cat)	17222.06
1997-1999 Wrangler (4.0L), 1996-2000 Cherokee (2.5L & 4.0L), 1996-1998 Grand Cherokee (4.0L), Oxygen Sensor (After Cat)	17222.05
2000 Wrangler (2.5L), Oxygen Sensor (After Cat)	17222.14
2000 Wrangler (4.0L), Oxygen Sensor (After Cat)	17222.15
2001-2002 Wrangler (2.5L), 2003-2004 Wrangler (2.4L), Oxygen Sensor (Before Cat)	17222.23
2001-2003 Wrangler (4.0L), Oxygen Sensor (Rear Before Cat)	17222.23
2003-2004 Wrangler (2.5L), Oxygen Sensor (After Cat)	17222.18
2005-2006 Wrangler (2.4L), 2004 Liberty (2.4L), Oxygen Sensor (Before Cat)	17222.28
2004 Wrangler (4.0L), Oxygen Sensor (Front After Cat)	17222.31
2004 Wrangler (4.0L), Oxygen Sensor (Rear After Cat)	17222.36
2005-2006 Wrangler (4.0L), 2007-2011 Wrangler (3.8L), 2005-2009 Grand Cherokee (3.7L & 4.7L), 2006-2009 Grand Cherokee (6.1L), 2005 Liberty (2.5L), 2005-2009 Liberty (3.7L), Oxygen Sensor (Rear After Cat)	17222.28
2005-2006 Wrangler (4.0L), Oxygen Sensor (Rear Before Cat)	17222.39
2005-2006 Wrangler (4.0L), 2004 Liberty (2.4L), Oxygen Sensor (Rear After Cat)	17222.37
2007-2011 Wrangler (3.8L), Oxygen Sensor (Before Cat RH)	17222.40
2007-2011 Wrangler (3.8L), Oxygen Sensor (Before Cat LH)	17222.41
1986-1990 Cherokee (2.5L), Oxygen Sensor (Before Cat)	17222.03
1987-1990 Cherokee (4.0L), Oxygen Sensor (Before Cat)	17222.16
1997-1999 Cherokee (4.0L), Oxygen Sensor (Before Cat)	17222.11
1993-1995 Grand Cherokee (4.0L), Oxygen Sensor (Before Cat)	17222.10
1997-1998 Grand Cherokee (4.0L), Oxygen Sensor (Before Cat)	17222.12
1999-2000 Cherokee (4.0L), 1999-2000 Grand Cherokee (4.7L) Oxygen Sensor (Before Cat)	17222.22
1999-2000 Grand Cherokee (4.0L & 4.7L), Oxygen Sensor (After Cat)	17222.19
2001-2003 Grand Cherokee (4.0L), Oxygen Sensor (Front After Cat)	17222.17
2001-2003 Grand Cherokee (4.0L & 4.7L), Oxygen Sensor (After Cat LH)	17222.19
2001-2003 Grand Cherokee (4.7L), Oxygen Sensor (Before Cat LH)	17222.24
2001-2003 Grand Cherokee (4.7L), Oxygen Sensor (Before Cat RH)	17222.26
2001-2003 Grand Cherokee (4.7L), Oxygen Sensor (After Cat RH)	17222.24
2004 Grand Cherokee (4.0L), Oxygen Sensor (Front After Cat)	17222.32
2004 Grand Cherokee (4.0L), Oxygen Sensor (Rear After Cat)	17222.36
2004 Grand Cherokee (4.7L), Oxygen Sensor (After Cat RH)	17222.20
2004 Grand Cherokee (4.7L), Oxygen Sensor (Front After Cat)	17222.32
2004 Grand Cherokee (4.7L), Oxygen Sensor (Rear After Cat)	17222.36
2005-2007 Grand Cherokee (4.7L), Oxygen Sensor (Before Cat)	17222.29
2002-2003 Liberty (3.7L), Oxygen Sensor (Before Cat LH)	17222.25
2002-2003 Liberty (3.7L), Oxygen Sensor (After Cat RH)	17222.17
2002-2003 Liberty (2.4L), 2002-2003 Liberty (3.7L) (LH), Oxygen Sensor (After Cat)	17222.18
2004 Liberty (2.4L), Oxygen Sensor (After Cat)	17222.37



S. Oil Pressure Sending Units	Part#
1979-1981 CJ5 (4.2L & 5.0L), 1979-1981 CJ7 (4.2L & 5.0L), 1981 CJ8 (4.2L & 5.0L), 1979-1981 Cherokee / Wagoneer (SJ) (4.2L, 5.9L & 6.6L), Oil Pressure Switch (3 Terminals)	17219.04
1987-1993 Wrangler (2.5L & 4.0L), 1987-1990 Cherokee (2.5L) Export Models, 1974-1979 Cherokee / Grand Wagoneer (SJ) (4.2L, 5.9L & 6.6L), Oil Pressure Switch (2 Terminals)	17219.05
2003-2006 Wrangler (2.4L), 2007-2011 Wrangler (3.8L), 2003-2007 Liberty (3.7L), 2003-2004 Grand Cherokee (4.0L & 4.7L), 2005-2009 Grand Cherokee (3.7L & 4.7L), Oil Pressure Sender	17219.15
2003-2006 Wrangler (2.4L & 4.0L), 2007-2011 Wrangler (3.8L), 2002-2005 Liberty (3.7L), Oil Pressure Switch	17219.17
1984-1991 Cherokee (2.5L & 4.0L), Oil Pressure Switch	17219.08
1941-1945 MB, 1941-1945 Ford GPW, 1945-1949 CJ2A, 1948-1953 CJ3A, 1953-1967 CJ3B, 1952-1971 M38A1, 1955-1971 CJ5, 1955-1971 CJ6, 1946-1964 Truck, 1946-1964 Station Wagon, Oil Pressure Sending Unit (For 134 CI)	17219.01
1974-1983 CJ5 (3.8L, 4.2L & 5.0L), 1976-1986 CJ7 (3.8L, 4.2L & 5.0L), 1981-1986 CJ8 (4.2L & 5.0L), 1974-1979 Cherokee / Grand Wagoneer (SJ) (4.2L, 5.9L & 6.6L), Oil Pressure Sending Unit (Single Post)	17219.02
1981-1983 CJ5 (2.5L GM), 1981-1983 CJ7 (2.5L GM), 1981-1983 CJ8 (2.5L GM), Oil Pressure Sending Unit	17219.03
1987-1991 Wrangler (2.5L & 4.2L), 1984-1990 Cherokee (2.1L Diesel, 2.5L, 2.8L & 4.0L), Oil Pressure Sending Unit (Single Post)	17219.06
1992-1995 Wrangler (2.5L & 4.0L), Oil Pressure Sending Unit	17219.07
1997-1999 Wrangler (2.5L & 4.0L), 1996-1997 Cherokee (2.5L Diesel), 1996-1997 Grand Cherokee (4.0L & 5.2L), Oil Pressure Sending Unit	17219.13
2000-2002 Wrangler (2.5L & 4.0L), 2003-2006 Wrangler (2.4L), 1997-2001 Cherokee (4.0L & 2.5L), 1999-2002 Grand Cherokee (4.0L & 4.7L), 2002-2005 Liberty (2.4L), 2003 Liberty (3.7L), 2005-2006 Liberty (2.8L Diesel), Oil Pressure Sending Unit	17219.12
1984-1990 Cherokee (2.1L Diesel), 1991-1996 Cherokee (2.5L & 4.0L) Export Models, Oil Pressure Sending Unit	17219.09
1992-1996 Cherokee (2.5L & 4.0L), Oil Pressure Sending Unit	17219.11
1993-1995 Grand Cherokee (4.0L & 5.2L), Oil Pressure Sending Unit	17219.07



T. Temperature Sensors

Part#	
17218.02	1972-1983 CJ5 (2.5L, 3.8L, 4.2L & 5.0L), 1976-1986 CJ7 (2.5L, 3.8L, 4.2L & 5.0L), 1981-1986 CJ8 (2.5L, 3.8L, 4.2L & 5.0L), 1972-1985 Cherokee / Grand Wagoneer (SJ) (4.2L, 5.9L, 6.6L), Temperature Sensor
17218.03	1987-1990 Wrangler (2.5L & 4.2L), 1986-1991 Cherokee / Grand Wagoneer (SJ) (4.2L, 5.9L, 6.6L), 1987-1990 Cherokee (2.1L & 2.5L), Temperature Sending Unit (With Temp Gauge)
17218.04	1992-1995 Wrangler (2.5L & 4.2L), Temperature Sensor (With Temp Gauge)
17217.01	1988-1990 Wrangler (4.2L), 1991-1995 Wrangler (2.5L), 1991-1997 Wrangler (4.0L), 1991-1996 Cherokee (2.5L & 4.0L), Temperature Sending Unit*
17218.06	1997-2006 Wrangler (2.4L, 2.5L & 4.0L), 1997-2001 Cherokee (2.5L & 4.0L), 1997-2004 (4.0L & 4.7L) Grand Cherokee, 2002-2007 Liberty, Temperature Sensor
17217.03	1984-1990 Cherokee (2.5L & 4.0L), Temperature Sensor
17218.05	1992-1996 Cherokee (2.5L & 4.0L), 1993-1996 Grand Cherokee (4.0L), 1994-1995 Wrangler (2.5L & 4.0L), Temperature Sensor (With Warning Light)**
17217.02	1993-1998 Grand Cherokee (5.2L), 1996-Grand Cherokee (4.0L), 1998 Grand Cherokee (5.9L), Temperature Sending Unit (With Temp Gauge)
17218.09	2007-2010 Jeep (3.7L & 3.8L), Coolant Temperature Coolant NEW
17262.01	2007-2010 Compass & Patriot, Oil Temperature Sending Unit NEW

* Without Temperature Gauge ** Located in Cylinder Head

U. Intake Temperature Sensors

Part#	
17221.01	1990-1995 Wrangler (4.0L), 1991-1995 Wrangler (2.5L), 1991-1996 Cherokee (2.5L & 4.0L), Intake Temperature Sensor
17221.02	1997-2002 Wrangler (2.5L), 1997-2005 Wrangler (4.0L), 1997-2000 Cherokee (2.5L), 1997-2001 Cherokee (4.0L), 1997-2004 Grand Cherokee (4.0L), Intake Temperature Sensor
17221.03	2003-2006 Wrangler (2.4L), 2006 Wrangler (4.0L), 2001-2004 Grand Cherokee (4.7L), 2005-2010 Grand Cherokee (3.7L), 2003-2004 Liberty (3.7L), Intake Temperature Sensor
17221.04	2004-2011 Jeep, Intake Temperature Sensor NEW

V. Throttle Position Sensors

Part#	
17224.01	1987-1990 Wrangler (2.5L), 1986-1990 Cherokee (2.5L), Throttle Position Sensor
17224.02	1990-1995 Wrangler (4.0L), 1991-1995 Wrangler (2.5L), 1991-1996 Cherokee (2.5L & 4.0L), 1993-1996 Grand Cherokee (4.0L & 5.2L), Throttle Position Sensor
17224.04	1997-2001 Wrangler (2.5L & 4.0L), 1997-2000 Cherokee (2.5L), 1997-2001 Cherokee (4.0L), 1997-2001 Grand Cherokee (4.0L), Throttle Position Sensor
17224.06	2002-2006 Wrangler (4.0L), 2003-2006 Wrangler (2.4L), 2002-2004 Grand Cherokee (4.0L), 2005-2006 Grand Cherokee (3.7L), 2002-2005 Liberty (2.4L), 2002-2006 Liberty (3.7L), Throttle Position Sensor
17224.03	1997-1998 Grand Cherokee (5.2L), 1998 Grand Cherokee (5.9L), Throttle Position Sensor
17224.05	1999-2007 Grand Cherokee (4.7), Crankshaft Positions Sensor

W. Camshaft Position Sensors

Part#	
17257.03	2003-2006 Wrangler (2.4L), 2002-2005 Liberty (2.4L), Camshaft Sensor
17257.01	1999-2004 Grand Cherokee (4.0L), Camshaft Position Sensor
17257.02	1999-2004 Grand Cherokee (4.7L), 2005-2007 Grand Cherokee (3.7L, 4.7L & 5.7L), 2002-2007 Liberty (3.7L), Camshaft Position Sensor
17257.05	2007 Wrangler (3.8L), Cam Position Sensor NEW
17257.06	2007-209 Compass & Patriot (2.0L Diesel), Cam Position Sensor NEW

Electrical - Emission & Sensors

X. Crankshaft Position Sensors

Part#	
17220.03	1991-1992 Wrangler (2.5L & 4.0L), 1991-1992 Cherokee (2.5L & 4.0L), Crankshaft Position Sensor
17220.02	1993-1995 Wrangler (2.5L With AT or MT)], 1993-1995 Wrangler (4.0L With MT), 1993-1996 Cherokee (4.0L), Crankshaft Positions Sensor
17220.07	1993-1995 Wrangler (4.0L), 1994-1996 Grand Cherokee (4.0L), Crankshaft Positions Sensor (With Automatic Transmission)
17220.13	1997-2002 Wrangler (2.5L With MT or AT), 1997-2004 Wrangler (4.0L With MT), 1997-2000 Cherokee (2.5L), Crankshaft Position Sensor
17220.05	1997-2002 Wrangler (4.0L), 1997-2004 Grand Cherokee (4.0L), Crankshaft Positions Sensor (With Automatic Transmission)
17220.04	2003-2006 Wrangler (4.0L With AT), 2009-2011 Wrangler (3.8L with MT), Crankshaft Position Sensor
17220.16	2007-2011 Wrangler (3.8L), Crankshaft Position Sensor NEW
17220.12	1997-2001 Cherokee (4.0L), Crankshaft Position Sensor
17220.01	1994-1996 Grand Cherokee (5.2L), Crankshaft Position Sensor
17220.14	1997-1998 Grand Cherokee (5.2L), 1998 Grand Cherokee (5.9L), Crankshaft Position Sensor
17220.08	1999-2009 Grand Cherokee (4.7L), Crankshaft Position Sensor
17220.10	2002-2004 Liberty (2.4L), Crankshaft Positions Sensor
17220.09	2002-2003 Liberty (3.7), Crankshaft Position Sensor
17220.11	2004-2007 Liberty (3.7), Crankshaft Position Sensor

Y. Knock Sensors

Part#	
17223.50	1990-1995 Wrangler (4.0L), 1996-1996 Cherokee (4.0L), 1993-1996 Grand Cherokee (4.0L), Knock Sensor
17223.51	2003-2007 Grand Cherokee (4.7L), Knock Sensor
17223.52	2007-2011 Wrangler (3.8L), 2007-2011 Compass (2.0L, 2.4L & 3.5L), 2007-2011 Patriot (2.0L, 2.4L & 3.5L), 2005-2010 Grand Cherokee (5.7L), 2006-2010 Grand Cherokee (6.1L), Knock Sensor

Z. Map Sensors

Part#	
17223.01	1987-1995 Wrangler (2.5L, 4.0L & 4.2L), 1986-1995 Cherokee (2.5L), 1987-1995 Cherokee (4.0L), Map Sensor
17223.02	1997-2002 Wrangler (2.5L & 4.0L), 1997-2001 Cherokee (2.5L & 4.0L), 1993-1996 Grand Cherokee (4.0L) MAP Sensor
17223.03	1993-1996 Grand Cherokee (5.2L), Map Sensor
17223.04	2007-2010 Commander (5.7L), 2007-2011 Wrangler (3.8L) & Compass (2.4L), MAP Sensor NEW

Electrical - Switches & Relays



[Z-4] 13318.05



[Z-5] 17234.03



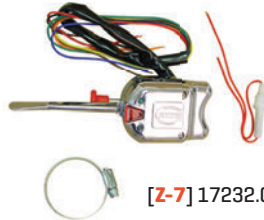
[Z-1] 17251.01



[Z-3] 17259.04



[Z-2] 17250.02



[Z-7] 17232.01

Z-1. Ignition Switches

Part#	Part#
1941-1945 MB, 1941-1945 Ford GPW, 1945-1949 CJ2A, Ignition Switch (Floor Mounted)	17251.01
1976-1983 CJ5, 1976-1986 CJ7, 1981-1986 CJ8, 1987-1995 Wrangler, Ignition Switch (Without Tilt Column)	17251.02
1976-1983 CJ5, 1976-1986 CJ7, 1981-1986 CJ8, 1987-1995 Wrangler, Ignition Switch (With Tilt Column)	17251.03
1997-2000 Wrangler, 1997-2001 Cherokee, Ignition Switch (Without Tilt Colum)	17251.07
2001-2006 Wrangler, Ignition Switch	17251.04
2007-2014 Wranglers, 2005-2007 Grand Cherokee, 2006-2007 Commanders, 2007-2001 Compass & Patriots and 2008-2012 Libertys, Ignition Switch NEW	17251.09
1993-1996 Grand Cherokee, Ignition Switch	17251.05
1997-1998 Grand Cherokee, Ignition Switch	17251.08
1999-2004 Grand Cherokee, Ignition Switch	17251.06

Z-2. Ignition Lock Cylinders With Keys

Part#	Part#
1945-1949 CJ2A, 1948-1953 CJ3A, 1953-1967 CJ3B, 1952-1971 M38A1, 1955-1971 CJ5, 1955-1971 CJ6, 1946-1964 Truck, 1946-1964 Station Wagon, Distributor, Ignition Lock Cylinder With Keys	17250.01
1967-1972 Jeepster, Ignition Lock Cylinder With Keys	17250.02
1976-1983 CJ5, 1976-1986 CJ7, 1981-1986 CJ8, 1987-1995 Wrangler, 1976-1986 Cherokee / Grand Wagoneer (SJ), Ignition Lock Cylinder With Keys	17250.03
1987-1990 Wrangler, 1987-1990 Cherokee, Ignition Lock Cylinder With Keys	17250.04
1990-1995 Wrangler, 1990-1996 Cherokee, Ignition Lock Cylinder With Keys	17250.05
1997-1998 Grand Cherokee, Ignition Lock Cylinder With Keys	17250.08

Z-3. ABS Speed Sensors

Part#	Part#
1999-2004 Grand Cherokee, ABS Speed Sensor, Rear, LH	17259.05
1999-2004 Grand Cherokee, ABS Speed Sensor, Rear, RH	17259.04
2007-2014 Wrangler, ABS Speed Sensor, Front NEW	17259.06
2007-2014 Wrangler, 2008-2012 Liberty, ABS Speed Sensor, Rear NEW	17259.07

Z-4. Headlight Knobs

Part#	Part#
1945-1949 CJ2A, 1948-1953 CJ3A, 1953-1967 CJ3B, 1955-1971 CJ5, 1955-1971 CJ6, Headlight Knob	17234.02
1968-1983 CJ5, 1968-1975 CJ6, 1976-1986 CJ7, 1981-1986 CJ8, Heater Switch Knob	13318.05
1972-1979 CJ5, 1972-1975 CJ6, 1976-1979 CJ7, 1972-1979 Cherokee / Grand Wagoneer (SJ), Headlight Knob	13318.06

Z-5. Headlight Switches

Part#	Part#
1945-1949 CJ2A, 1948-1953 CJ3A, 1953-1967 CJ3B, 1955-1971 CJ5, 1955-1971 CJ6, Headlight Switch	17234.01
1945-1949 CJ2A, 1948-1953 CJ3A, 1953-1967 CJ3B, 1955-1983 CJ5, 1955-1975 CJ6, 1976-1986 CJ7, 1981-1986 CJ8, Headlight Switch Nut	17234.11
1945-1949 CJ2A, 1948-1953 CJ3A, 1953-1967 CJ3B, 1955-1983 CJ5, 1955-1975 CJ6, 1976-1986 CJ7, 1981-1986 CJ8, Headlight Switch Bezel	17234.12
1972-1979 CJ5, 1972-1975 CJ6, 1976-1979 CJ7, 1972-1979 Cherokee / Grand Wagoneer (SJ), Headlight Switch	17234.03
1979-1983 CJ5, 1979-1986 CJ7, 1981-1983 CJ8, 1979-1985 Cherokee / Grand Wagoneer (SJ), Headlight Switch	17234.04
1987-1995 Wrangler, Headlight Switch	17234.05
1997-1999 Wrangler, 1997-2000 Cherokee, Headlight Switch	17234.06
1984-1991 Cherokee, Headlight Switch	17234.08
1992-1996 Cherokee, Headlight Switch	17234.09
1986-1991 Cherokee / Grand Wagoneer (SJ), Headlight Switch	17234.07

* With Brass Terminal Connector

Z-6. Multifunction Switches

Part#	Part#
1997-2000 Wrangler, Multi Function Switch	17234.16
2001-2006 Wrangler, Multi Function Switch (Without Fog Lights)	17234.17
2001-2006 Wrangler, Multi Function Switch (With Fog Lights)	17234.19
2007-2014 Wrangler, Multi-Function Switch (With Fog Lights) NEW	17234.25
2007-2010 Wrangler, Multi-Function Switch (Without Fog Lights) NEW	17234.26
1993-1998 Grand Cherokee, Multi Function Switch	17234.10
1993-1998 Grand Cherokee, Multi Function Switch (With Auto Leveling Headlights, Without Fog Lights)	17234.18
2005-2007 Grand Cherokee, 2006-2007 Commander, Turn Signal Switch (Without Fog Lights) NEW	17234.22
2005-2008 Grand Cherokee, 2006-2008 Commander, Turn Signal Switch (With Fog Lights) NEW	17234.23
2005-2007 Grand Cherokee, 2006-2010 Commander, Turn Signal Switch NEW	17234.24
2002-2005 Liberty, Multi Function Switch (Without Fog Lights)	17234.14
2002-2005 Liberty, Multi Function Switch (With Fog Lights)	17234.15

Z-7. Turn Signal Switches & Cancel Cams

Part#	Part#
1941-1945 MB, 1941-1945 Ford GPW, 1945-1949 CJ2A, 1948-1953 CJ3A, 1953-1967 CJ3B, 1955-1971 CJ5, 1955-1971 CJ6, 1946-1964 Truck, 1946-1964 Station Wagon, Turn Signal Switch**	17232.01
1976-1983 CJ5, 1976-1986 CJ7, 1981-1986 CJ8, Turn Signal Lever	13318.07
1976-1983 CJ5, 1976-1986 CJ7, 1981-1986 CJ8, 1987-1995, Turn Signal Cancel Cam (With Tilt Column)	17232.04
1976-1983 CJ5, 1976-1986 CJ7, 1981-1986 CJ8, 1987-1995, 1984-1993 Cherokee, Turn Signal Cancel Cam (Without Tilt Column)	17232.02

** Column Mounted Universal Style

Z-8. Dimmer Switches

Part#	Part#
1945-1949 CJ2A, 1948-1953 CJ3A, 1953-1967 CJ3B, 1955-1971 CJ5, 1955-1971 CJ6, Headlight Dimmer Switch	17233.01
1972-1983 CJ5, 1972-1975 CJ6, 1976-1986 CJ7, 1981-1986 CJ8, 1987-1995, Headlight Dimmer Switch	17233.02
1987-1989 Wrangler, 1984-1888 Cherokee, Headlight Dimmer Switch	17233.03
1990-1995 Wrangler, 1989-1996 Cherokee, Headlight Dimmer Switch	17233.04



[Z-9] 17238.02



[Z-10] 12411.01



[Z-11] 17231.02



[Z-12] 17237.01



[Z-12] 17237.02



[Z-17] 17255.05

Z-9. Brake Light Switches	Part#
1941-1945 MB, 1941-1945 Ford GPW, 1945-1949 CJ2A, 1948-1953 CJ3A, 1953-1967 CJ3B, 1952-1971 M38A1, 1955-1966 CJ5, 1955-1966 CJ6, 1946-1964 Truck, 1946-1964 Station Wagon, 1948-1951 Jeepster, Brake Light Switch*	17238.01
1966-1972 CJ5, 1966-1972 CJ6, 1967-1972 Jeepster, Brake Light Switch**	17238.02
1973-1983 CJ5, 1976-1986 CJ7, 1981-1986 CJ8, 1987-1990 Wrangler, 1986-1991 Cherokee, 1974-1986 Cherokee / Grand Wagoneer [SJ], Brake Light Switch [Without Cruise Control]	17238.06
1987-1990 Wrangler, 1984-1991 Cherokee, Brake Light Switch [With Cruise Control]	17238.03
1987-1990 Wrangler, 1984-1990 Cherokee, Brake Switch [Without Cruise Control]	17238.09
1991-1995 Wrangler, Brake Light Switch [With Cruise Control]	17238.07
1997-2006 Wrangler, 2007-2011 Wrangler, 1992-2001 Cherokee, 1993-2004 Grand Cherokee, Brake Light Switch	17238.04
2002 Liberty, Brake Light Switch	17238.08
2003-2011 Liberty, Brake Light Switch	17238.05
2007-2011 Liberty & Wrangler, Backup Switch NEW	17234.27
2005-2010 Grand Cherokee, Brake Light Switch NEW	17238.11

*With Female Terminal Post **With Blade Terminals

Z-10. Flashers	Part#
1976-1983 CJ5, 1976-1986 CJ7, 1981-1986 CJ8, 1984-1986 Cherokee, 1993 Grand Cherokee, 1974-1991 Cherokee / Grand Wagoneer [SJ], Flasher Relay [2 Blade #552]	12411.01
1976-1983 CJ5, 1976-1986 CJ7, 1981-1986 CJ8, 1984-1986 Cherokee, 1993 Grand Cherokee, 1974-1991 Cherokee / Grand Wagoneer [SJ], Flasher Relay [2 Blade #224]	12411.02
1987-1995 Wrangler, 1984-1996 Cherokee, Flash [3 Blade #550]	12411.03

Z-11. Voltage Regulators	Part#
1941-1945 MB, 1941-1945 Ford GPW, Voltage Regulator [6V]	17231.06
1945-1949 CJ2A, 1948-1953 CJ3A, 1953-1958 CJ3B, 1955-1958 CJ5, 1955-1958 CJ6, 1946-1958 Truck, 1946-1958 Station Wagon, 1948-1951 Jeepster, Voltage Regulator [6V]	17231.02
1941-1945 MB, 1941-1945 Ford GPW, 1945-1949 CJ2A, 1948-1953 CJ3A, 1953-1967 CJ3B, 1952-1971 M38A1, 1955-1971 CJ5, 1955-1971 CJ6, 1946-1964 Truck, 1946-1964 Station Wagon, 1948-1951 Jeepster, Voltage Regulator [12V]	17231.03

Z-12. Misc Switches	Part#
1997-2000 Wrangler, 2001 Cherokee, Fog Light Switch	17234.21
1987-1992 Wrangler, Relay For Fog Lamp, Headlight, Rear Wiper & Power Lock [#AR 502-R]	17237.02
1994-2001 Cherokee, Door Ajar Switch	17237.01
1999-2010 Grand Cherokee, Glove Box Light Switch	17237.03
1992-1995 Wrangler, Rear Defrost Switch [With Hardtop]	17237.05
1987-1993 Wrangler, 1979-1981 Cherokee / Grand Wagoneer [SJ], Horn Relay	17249.03
1993-2011 Wrangler, 1993-2001 Cherokee, 1993-2004 Grand Cherokee, Relay Various Positions [5 Blade]	17237.07
1993-2006 Wrangler, 1993-1998 Cherokee, 1993-1998 Grand Cherokee, Starter Relay	17237.15
1994-1996 Cherokee, 1994-1996 Grand Cherokee, Circuit Breaker [30 Amp]	17237.10
2005-2007 Grand Cherokee, 2006-2007 Commander, Windshield Wiper Switch NEW	17236.09
1984-2001 Jeep, Courtesy Light Switch, Right NEW	17237.16
1984-2001 Jeep, Courtesy Light Switch, Left NEW	17237.17
2002-2004 Wrangler & Liberty, Reverse Light Switch NEW	

Z-13. Neutral Safety Switch	Part#
2007-2011 Wrangler [Automatic Transmission], Neutral Safety Switch	17261.01

Z-14. Tire Pressure Monitors	Part#
2007-2014 Wrangler, Tire Pressure Monitor [TPM] Service Kit	17237.11
2007-2014 Wrangler, Tire Pressure Monitor [TPM] Sensor	17237.13
2007-2012 Jeep, TPMS Sensor NEW	17237.18

Z-15. Ambient Temperature Sensor	Part#
1999-2011 Grand Cherokee, 2006-2010 Commander, Ambient Temperature Sensor	17237.08

Z-16. Wiring Harnesses	Part#
1945-1946 CJ2A, Complete Wiring Harness [Horn on Firewall, Without Turn Signals]	17201.01
1947-1949 CJ2A, Complete Wiring Harness [Horn on Firewall, With Turn Signals]	17201.02
1946-1949 CJ2A, Complete Wiring Harness [Horn on Fender, Without Turn Signals]	17201.03
1946-1949 CJ2A, Complete Wiring Harness [Horn on Fender, With Turn Signals]	17201.04
1948-1953 CJ3A, Complete Wiring Harness [Without Turn Signals]	17201.05
1948-1953 CJ3A, Complete Wiring Harness [With Turn Signals]	17201.06
1953-1956 CJ3, Complete Wiring Harness [With Early Small Speedometer & Cloth Wire Cover]	17201.07
1953-1956 CJ3, Complete Wiring Harness [With Late Larger Speedometer & Plastic Wire Cover]	17201.08
1955-1956 CJ5, Complete Wiring Harness [With Cloth Wire Cover]	17201.09
1955-1956 CJ5, Complete Wiring Harness [With Plastic Wire Cover]	17201.10

Z-17. Fuses	Part#
3 Amp, Mini Fuse	17255.06
5 Amp, Mini Fuse	17255.01
7.5 Amp, Mini Fuse	17255.07
10 Amp, Mini Fuse	17255.02
15 Amp, Mini Fuse	17255.03
20 Amp, Mini Fuse	17255.04
30 Amp, Mini Fuse	17255.05
20 Amp, Maxi Fuse	17254.01
30 Amp, Maxi Fuse	17254.02
40 Amp, Maxi Fuse	17254.03
50 Amp, Maxi Fuse	17254.04
60 Amp, Maxi Fuse	17254.05
5 Amp, ATO Fuse	17253.01
7.5 Amp, ATO Fuse	17253.02
10 Amp, ATO Fuse	17253.03
15 Amp, ATO Fuse	17253.04
20 Amp, ATO Fuse	17253.05
25 Amp, ATO Fuse	17253.06
30 Amp, ATO Fuse	17253.07

Electrical - Gauges



[Z-20] 17208.03



[Z-21] 17215.02



[Z-18] 17206.01



[Z-23] 17210.05



[Z-25] 17210.01



Omix-ADA
BUY WITH CONFIDENCE
MINIMUM 5 YEAR WARRANTY



[Z-24] 17210.02



[Z-22] 17210.06



[Z-18] 17206.04



[Z-18] 17205.03



[Z-26] 17215.01

Z-18. Speedometer Assemblies [MPH]

Part#

1941-1943 MB & Ford GPW, Speedometer Assembly [0-60 MPH] (Long Style Needle)	17206.02
1944-1945 MB & Ford GPW, 1950-1952 M38, 1952-1971 M38A1, Speedometer Assembly [0-60 MPH] (Short Style Needle)	17206.03
1945-1949 CJ2A, 1948-1953 CJ3A, 1953-1958 CJ3B, Speedometer Assembly [0-60 MPH]	17206.01
1955-1979 CJ5, 1955-1979 CJ6, 1959-1967 CJ3B, 1976-1979 CJ7, Speedometer Assembly [0-90 MPH]	17206.04
1980-1983 CJ5, 1980-1986 CJ7, 1981-1986 CJ8, Speedometer Assembly [5-85 MPH]	17206.05
1955-1979 CJ5, 1955-1979 CJ6, 1959-1967 CJ3B, 1976-1979 CJ7, Speedometer Assembly [0-140 KPH]	17205.02
1980-1983 CJ5, 1980-1986 CJ7, 1981-1986 CJ8, Speedometer Assembly [0-140 KPH]	17205.03



[Z-27] 17237.04



[Z-23] 17209.01



Z-19. Speedometer Gauge [MPH]

Part#

1955-1979 CJ5, 1955-1979 CJ6, 1959-1967 CJ3B, 1976-1979 CJ7, Speedometer Gauge [0-90 MPH]	17207.01
1980-1983 CJ5, 1980-1986 CJ7, 1981-1986 CJ8, Speedometer Gauge [5-85 MPH]	17207.03
1955-1979 CJ5, 1955-1979 CJ6, 1959-1967 CJ3B, 1976-1979 CJ7, Speedometer Gauge [0-140 KPH]	17207.02
1980-1983 CJ5, 1980-1986 CJ7, 1981-1986 CJ8, Speedometer Gauge [0-140 KPH]	17207.04

Z-20. Speedometer Cables

Part#

1941-1945 MB, 1941-1945 Ford GPW, 1945-1949 CJ2A, 1948-1953 CJ3A, 1953-1967 CJ3B, 1952-1971 M38A1, 1955-1975 CJ5, 1955-1975 CJ6, Speedometer Cable [60"], [With 3 Speed Transmission]	17208.01
1941-1945 MB, 1941-1945 Ford GPW, 1945-1949 CJ2A, 1948-1953 CJ3A, 1953-1967 CJ3B, 1952-1971 M38A1, 1955-1971 CJ5, 1955-1971 CJ6, 1946-1964 Truck, 1946-1964 Station Wagon, Speedometer Driven Gear [With Dana 18 Transfer Case]	17211.01
1963-1975 CJ5, 1963-1975 CJ6, Speedometer Cable [67"], [With 4 Speed Transmission]	17208.02
1976-1979 CJ5, 1976-1979 CJ7, Speedometer Cable [69"], [With Automatic Transmission]	17208.04
1977-1983 CJ5, 1977-1986 CJ7, 1981-1986 CJ8, Speedometer Cable [69"], [With Manual Transmission]	17208.03

Z-21. Tachometer Gauges

Part#

1976-1983 CJ5, 1976-1986 CJ7, 1981-1986 CJ8, Tachometer [0-6000 RPM], [All Engines]	17215.02
1987-1991 Wrangler, Tachometer [2.5L]	17215.10
1987-1991 Wrangler, Tachometer [4.0L & 4.2L]	17215.11

Z-22. Fuel Gauges

Part#

1941-1945 MB, 1941-1945 GPW, 1948-1949 CJ2A, 1948-1953 CJ3A, 1953-1967 CJ3B, Fuel Gauge (For 6V Systems)	17210.06
1941-1945 MB, 1941-1945 GPW, 1948-1949 CJ2A, 1948-1953 CJ3A, 1953-1967 CJ3B, Fuel Gauge (For 12V Systems)	17210.07
1955-1983 CJ5, 1955-1975 CJ6, 1976-1986 CJ7, 1981-1986 CJ8, Fuel Gauge	17209.04
1955-1983 CJ5, 1955-1975 CJ6, 1976-1986 CJ7, 1981-1986 CJ8, Fuel and Temperature Gauge Set	17209.01
1987-1991 Wrangler, Fuel Gauge	17210.10
1992-1995 Wrangler, Fuel Gauge	17210.13

Z-23. Temperature Gauges

Part#

1941-1945 MB, 1941-1945 Ford GPW, 1945-1947 CJ2A, Temperature Gauge	17210.04
1948-1949 CJ2A, 1948-1953 CJ3A, 1953-1967 CJ3B, Temperature Gauge	17210.05
1955-1983 CJ5, 1955-1975 CJ6, 1976-1986 CJ7, 1981-1986 CJ8, Temperature Gauge	17209.05
1955-1983 CJ5, 1955-1975 CJ6, 1976-1986 CJ7, 1981-1986 CJ8, Fuel and Temperature Gauge Set	17209.01
1987-1991 Wrangler, Temperature Gauge [In Gauge Cluster]	17210.15
1992-1995 Wrangler, Temperature Gauge [In Gauge Cluster]	17210.18

Z-24. Oil Gauges

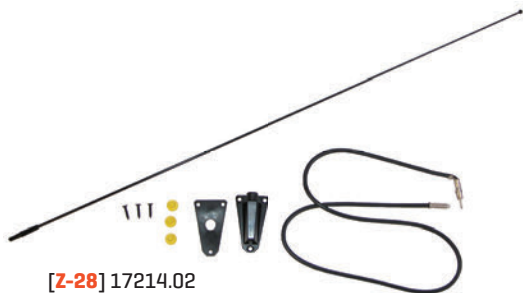
Part#

1941-1945 MB, 1941-1945 Ford GPW, 1945-1947 CJ2A, Oil Gauge	17210.02
1948-1949 CJ2A, 1948--1953 CJ3A, 1953-1967 CJ3B, Oil Gauge	17210.03
1976-1983 CJ5, 1976-1986 CJ7, 1981-1986 CJ8, Oil Gauge	17215.04
1987-1991 Wrangler, Oil Gauge [In Gauge Cluster]	17210.16
1992-1995 Wrangler, Oil Gauge [In Gauge Cluster]	17210.17

Z-25. Gauge Cluster

Part#

1987-1990 Wrangler, Gauge Cluster, Black NEW	17206.12
1987-1990 Wrangler, Gauge Cluster, Tan NEW	17206.13
1993-1995 Wrangler, Gauge Cluster, Black NEW	17206.16
1993-1995 Wrangler, Gauge Cluster, Tan NEW	17206.17



[Z-28] 17214.02



[Z-30] 11214.53



[Z-29] 11249.02



[Z-30] 17265.01



[Z-30] 11214.01

Z-25. Ammeters / Volt Gauges	Part#
1941-1945 MB, 1941-1945 Ford GPW, 1945-1949 CJ2A, 1948-1953 CJ3A, 1953-1967 CJ3B, Ammeter Gauge	17210.01
1976-1983 CJ5, 1976-1986 CJ7, 1981-1986 CJ8, Voltmeter	17215.03
1987-1991 Wrangler, Voltmeter Gauge (In Gauge Cluster)	17210.12
1992-1995 Wrangler, Voltmeter Gauge (In Gauge Cluster)	17210.14

Z-26. Clocks	Part#
1976-1983 CJ5, 1976-1986 CJ7, 1981-1986 CJ8, Clock	17215.01
1987-1991 Wrangler, Clock (In Gauge Cluster)	17210.11

Z-27. Misc Gauge Parts	Part#
1987-1995 Wrangler, Instrument Panel Light Socket	17237.04
1987-1991 Wrangler, Gauge Cluster Lens	17210.80
1987-1991 Wrangler, Gauge Cluster Circuit Board	17210.90
1992-1995 Wrangler, Speedometer and Tachometer Lens	17210.82
1992-1995 Wrangler, Speedometer and Tachometer Circuit Board	17210.92
1992-1995 Wrangler, Gauge Cluster Lens	17210.81
1992-1995 Wrangler, Gauge Cluster Circuit Board	17210.91

Z-28. Antennas	Part#
1976-1983 CJ5, 1976-1986 CJ7, 1981-1986 CJ8, 1987-1995 Wrangler, Antenna Kit, Black	17214.02
1976-1983 CJ5, 1976-1986 CJ7, 1981-1986 CJ8, 1987-1995 Wrangler, Antenna Kit, Chrome	17214.01

Z-29. Replacement Horns	Part#
1976-1983 CJ5, 1976-1986 CJ7, 1981-1986 CJ8, 1987-1995 Wrangler, Horn (Low Pitch)	17249.01
1976-1983 CJ5, 1976-1986 CJ7, 1981-1986 CJ8, 1987-1995 Wrangler, Horn (High Pitch)	17249.02

Z-30. Battery Tray Kits	Part#
1976-1983 CJ5, 1976-1986 CJ7, 1981-1986 CJ8, Battery Tray Kit, Black	11214.01
1976-1983 CJ5, 1976-1986 CJ7, 1981-1986 CJ8, Battery Tray Kit, Stainless Steel	11132.01
1970-1983 CJ5, 1970-1975 CJ6, 1976-1986 CJ7, 1981-1986 CJ8, 1987-1990 Wrangler, Dual Battery Tray Kit UPGRADE	11214.50
1991-1995 Wrangler, Dual Battery Tray Kit UPGRADE	11214.51
1997-2006 Wrangler, Dual Battery Tray Kit UPGRADE	11214.52
2007-2011 Wrangler, Dual Battery Tray Kit UPGRADE	11214.53
1970-1983 CJ5, 1970-1975 CJ6, 1976-1986 CJ7, 1981-1986 CJ8, 1987-2011 Wrangler, Dual Battery Relay UPGRADE	17265.01

Engine



[A] DMC-6914



[C] 17402.02



[D] 17403.01



[G] 17738.01



A. Aluminum Valve Covers

	Part#
1972-1981 CJ5 (5.0L), 1972-1976 CJ6 (5.0L), 1976-1981 CJ7 (5.0L), 1981 CJ8 (5.0L), 1972-1991 Cherokee / Grand Wagoneer (5.0L, 5.9L, 6.6L), Valve Cover, AMC V8 Engine, Die Cast Aluminum, Black Wrinkle Finish [With Jeep Script] 	DMC-6920
1972-1981 CJ5 (5.0L), 1972-1976 CJ6 (5.0L), 1976-1981 CJ7 (5.0L), 1981 CJ8 (5.0L), 1972-1991 Cherokee / Grand Wagoneer (5.0L, 5.9L, 6.6L), Valve Cover, Die Cast Aluminum, Polished Finish [With Blanks for Emblems]	17401.12
1972-1981 CJ5 (5.0L), 1972-1976 CJ6 (5.0L), 1976-1981 CJ7 (5.0L), 1981 CJ8 (5.0L), 1972-1991 Cherokee / Grand Wagoneer (5.0L, 5.9L, 6.6L), Valve Cover, Die Cast Aluminum, Black Wrinkle Finish [With Blanks for Emblems]	17401.13
1972-1981 CJ5 (5.0L), 1972-1976 CJ6 (5.0L), 1976-1981 CJ7 (5.0L), 1981-1981 CJ8 (5.0L), 1972-1991 Cherokee / Grand Wagoneer (5.0L, 5.9L, 6.6L), Valve Cover (4.2L), Die Cast Aluminum, Polished Finish [With Omix Logo]	17401.10
1981-1983 CJ5, 1981-1986 CJ7, 1981-1986 CJ8, 1987 Wrangler, 1981-1987 Cherokee / Grand Cherokee (SJ), Valve Cover (4.2L), Die Cast Aluminum, Black Wrinkle Finish [With Jeep Script] 	DMC-6914
1981-1983 CJ5, 1981-1986 CJ7, 1981-1986 CJ8, 1987 Wrangler, 1981-1987 Cherokee / Grand Cherokee (SJ), Valve Cover (4.2L), Die Cast Aluminum, Black Wrinkle Finish [With 4.2L Script]	17401.08
1981-1983 CJ5, 1981-1986 CJ7, 1981-1986 CJ8, 1987 Wrangler, 1981-1987 Cherokee / Grand Cherokee (SJ), Valve Cover (4.2L), Die Cast Aluminum, Polished Finish [With 4.2L Script]	17401.09
1981-1983 CJ5, 1981-1986 CJ7, 1981-1986 CJ8, 1987 Wrangler, 1981-1987 Cherokee / Grand Cherokee (SJ), Valve Cover (4.2L), Die Cast Aluminum, Blue Finish [With 4.2L Script]	17401.11
1981-1983 CJ5, 1981-1986 CJ7, 1981-1986 CJ8, 1987 Wrangler, 1981-1987 Cherokee / Grand Cherokee (SJ), Valve Cover (4.2L), Die Cast Aluminum, Red Finish [With 4.2L Script]	17401.14
1981-1983 CJ5, 1981-1986 CJ7, 1981-1986 CJ8, 1987 Wrangler, 1981-1987 Cherokee / Grand Cherokee (SJ), Valve Cover (4.2L), Die Cast Aluminum, Black Wrinkle Finish [With 258 Script]	17401.15
1981-1983 CJ5, 1981-1986 CJ7, 1981-1986 CJ8, 1987 Wrangler, 1981-1987 Cherokee / Grand Cherokee (SJ), Valve Cover (4.2L), Die Cast Aluminum, Black Wrinkle Finish [With Omix Logo]	17401.07
1981-1983 CJ5, 1981-1986 CJ7, 1981-1986 CJ8, 1987 Wrangler, 1981-1987 Cherokee / Grand Cherokee (SJ), Rocker Arm Bridge (For 4.2L With Aluminum Valve Cover), 2 Required	17408.11
1981-1983 CJ5, 1981-1986 CJ7, 1981-1986 CJ8, 1987 Wrangler, 1981-1987 Cherokee / Grand Cherokee (SJ), Rocker Arm Bridge (For 4.2L With Aluminum Valve Cover), 2 Required	17402.01

B. Plastic Valve Covers

	Part#
1981-1983 CJ5, 1981-1986 CJ7, 1981-1986 CJ8, 1987 Wrangler, 1981-1987 Cherokee / Grand Cherokee (SJ), Valve Cover (4.2L), Plastic	17401.03
1981-1983 CJ5, 1981-1986 CJ7, 1981-1986 CJ8, 1987 Wrangler, 1981-1987 Cherokee / Grand Cherokee (SJ), Valve Cover Kit (4.2L), Plastic, Includes Valve Cover, Gasket [Cork] & Hardware	17401.04
1981-1983 CJ5, 1981-1986 CJ7, 1981-1986 CJ8, 1987 Wrangler, 1981-1987 Cherokee / Grand Cherokee (SJ), Valve Cover Kit (4.2L), Plastic, Includes Valve Cover, Gasket [Rubber] & Hardware [SJ], Valve Cover Kit (4.2L), Plastic, Includes Valve Cover, Gasket [Rubber], Rocker Arm Bridges & Hardware	17401.05
1983 CJ5, 1983-1986 CJ7, 1983-1986 CJ8, 1987-1993 Wrangler, Valve Cover (2.5L AMC With Carb), Plastic	17401.01



[F] 17438.03

[E] 17437.01

C. Valve Cover Grommets

	Part#
1972-1981 CJ5 (5.0L), 1972-1976 CJ6 (5.0L), 1976-1981 CJ7 (5.0L), 1981-1981 CJ8 (5.0L), 1972-1991 Cherokee / Grand Wagoneer (5.0L, 5.9L, 6.6L), Valve Cover Grommet	17402.05
1976-1979 CJ5 (3.8L), 1976-1980 CJ5 (4.2L), 1976-1979 CJ7 (3.8L), 1976-1980 CJ7 (4.2L), Valve Cover Grommet	17402.03
1981-1983 CJ5 (4.2L), 1981-1986 CJ7 (4.2L), 1981-1986 CJ8 (4.2L), 1987-1990 Wrangler (4.2L), Valve Cover Grommet	17402.02
1982-1983 CJ5 (2.5L GM & 2.5L AMC), 1982-1986 CJ7 (2.5L GM & 2.5L AMC), 1982-1986 CJ8 (2.5L GM & 2.5L AMC), Valve Cover Grommet	17402.02
258 Cubic Inch Engine, Oil Fill Plug NEW	17402.09



[H] 17405.01

D. Oil Caps

	Part#
1972-1979 CJ5 (3.8L), 1972-1980 CJ5 (4.2L), 1980-1983 CJ5 (2.5L GM), 1972-1979 CJ7 (3.8L), 1972-1980 CJ7 (4.2L), 1980-1983 CJ7 (2.5L GM), 1981-1983 CJ8 (2.5L GM), 1965-1970 J-Series Truck, 1965-1971 Wagoneer, 1974-1979 Cherokee (SJ), Oil Cap	17403.01
1981-1983 CJ5 (4.2L), 1983 CJ5 (2.5L AMC), 1981-1986 CJ7 (4.2L), 1983-1986 CJ7 (2.5L AMC), 1981-1986 CJ8 (4.2L), 1983-1986 CJ8 (2.5L AMC), 1987-1993 Wrangler (2.5L), 1987-1990 Wrangler (4.2L), 1986-1993 Cherokee (2.5L), 1987-1990 Cherokee (4.0L), Oil Cap	17403.02
1991-2006 Wrangler (4.0L), 1987-2006 Cherokee (4.0L), 1993-2004 Grand Cherokee (4.0L), 1994-1998 Grand Cherokee (5.2L), 1998 Grand Cherokee (5.9L), 1972-1990 Cherokee / Grand Wagoneer (5.0L, 5.9L & 6.6L), Oil Cap	17403.03
2011-2013 Grand Cherokee & Wrangler (3.6L), Oil Cap NEW	17403.09

E. Oil Pans

	Part#
1972-1979 Models (3.8L), 1972-1990 (4.2L), Oil Pan	17437.01
1987-2006 Models, Oil Pan (4.0L)	17437.02

F. Oil Pan Drain Plugs

	Part#
1941-1971 Models, Oil Pan Drain Plug (134 CI)	17438.01
1941-1971 Models, Oil Pan Drain Plug Gasket (134 CI)	17438.02
1972-1979 Models (3.8L), 1972-1990 (4.2L), Oil Pan Drain Plug	17438.03
1987-2006 Models (4.0L), 2002-2006 (2.4L), Oil Pan Drain Plug	17438.04

G. Intake Manifold

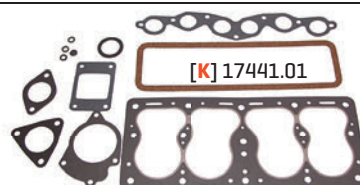
	Part#
1941-1945 MB, 1941-1945 GPW, 1945-1949 CJ2A, 1948-1953 CJ3A, 1950-1952 M38, Intake Manifold (134 CI L-Head)	17738.01

H. Engine Overhaul Kits

	Part#
-1945 MB, 1941-1945 Ford GPW, Engine Overhaul Kit (134 CI L-Head With Chain Driven Camshaft)	17405.01
1945-1949 CJ2A, 1948-1953 CJ3A, 1950-1952 M38, Engine Overhaul Kit (134 CI L-Head With Gear Driven Camshaft)	17405.02
1952-1971 M38A1, 1953-1967 CJ3B, 1955-1971 CJ5, 1955-1971 CJ6, Engine Overhaul Kit (134 CI With F-Head)	17405.03



I. Engine Gasket Sets	Part#
1941-1945 MB, 1941-1945 GPW, 1945-1949 CJ2A, 1948-1953 CJ3A, 1950-1952 M38, Engine Gasket Set (134 CI L-Head)	17440.01
1952-1971 M38A1, 1953-1967 CJ3B, 1955-1971 CJ5, 1955-1971 CJ6, Engine Gasket Set (134 CI With F-Head)	17440.02
1954-1964 Models, Engine gasket Set (226 CI)	17440.03
1972-1980 Models, Engine Gasket Set (3.8L & 4.2L)	17440.04
1972-1981 Models, Engine Gasket Set (5.0L)	17440.07
1972-1991 Models, Engine Gasket Set (5.9L & 6.6L)	17440.08
1981-1990 Models, Engine Gasket Set (4.2L)	17440.05
1987-1990 Models, Engine Gasket Set (4.0L)	17440.06
2007 Grand Cherokee, 5.7L, Engine Gasket Set NEW	17440.12



[L] 17446.04



[M] 17447.01



J. Lower Gasket Sets	Part#
1972-1990 Models (3.8L & 4.2L), 1987-1991 Models (4.0L), Lower Gasket Set	17442.04
1972-1981 Models (5.0L), 1972-1991 Models (5.9L & 6.6L), Lower Gasket Set	17442.07
1980-1983 Models, Lower Gasket Set (2.5L GM)	17442.01
1983-1992 Models, Lower Gasket Set (2.5L AMC)	17442.02
1992-2002 Models, Lower Gasket Set (2.5L)	17442.03
1992-2000 Models, Lower Gasket Set (4.0L)	17442.06
2002-2009 Models, Lower Gasket Set (3.7L)	17442.09
2004-2009 Models, Lower Gasket Set (4.7L)	17442.10
2007-2011 Wrangler, 3.8L, Lower Engine Gasket Set NEW	17442.11

M. Valve Cover Gaskets	Part#
1941-1971 Models, Lifter Cover Gasket (134 CI)	17450.07
1952-1971 M38A1, 1953-1967 CJ3B, 1955-1971 CJ5, 1955-1971 CJ6, Valve Cover Gasket	17447.01
1972-1979 CJ5 (3.8L), 1972-1980 CJ5 (4.2L), 1972-1979 CJ7 (3.8L), 1972-1980 CJ7 (4.2L), 1965-1970 J-Series Truck, 1965-1971 Wagoneer, 1974-1979 Cherokee (SJ), Valve Cover Gasket	17447.02
1972-1981 CJ5 (5.0L), 1972-1976 CJ6 (5.0L), 1976-1981 CJ7 (5.0L), 1981 CJ8 (5.0L), 1972-1991 Cherokee / Grand Wagoneer (5.0L, 5.9L, 6.6L), Valve Cover Gaskets (Pair)	17447.06
1981-1983 CJ5, 1981-1986 CJ7, 1981-1986 CJ8, 1987 Wrangler, 1981-1987 Cherokee / Grand Cherokee (SJ), Aluminum Valve Cover Gasket Kit (4.2L), Includes Gasket (Rubber), Grommets, Oil Cap & Valve Cover Bolts	17447.05
1981-1983 CJ5 (4.2L), 1981-1986 CJ7 (4.2L), 1981-1986 CJ8 (4.2L), 1987-1990 Wrangler (4.2L), Valve Cover Gasket, Cork	17447.03
1981-1983 CJ5 (4.2L), 1981-1986 CJ7 (4.2L), 1981-1986 CJ8 (4.2L), 1987-1990 Wrangler (4.2L), Valve Cover Gasket, Rubber	17447.04
1983-2002 Models, Valve Cover Gasket (2.5L), Rubber	17477.14
1993-1998 Grand Cherokee (5.2L), 1998 Grand Cherokee (5.9L), Valve Cover Gaskets, Pair	17447.08
1997-2006 Wrangler (4.0L), 1996-2001 Cherokee (4.0L), 1996-2004 Grand Cherokee (4.0L), Valve Cover Gasket	17447.09
1999-2003 Grand Cherokee (4.7L), Valve Cover Gasket, Left	17447.10
1999-2003 Grand Cherokee (4.7L), Valve Cover Gasket, Right	17447.12
2002-2005 Liberty (3.7L), Valve Cover Gasket, Left	17447.11
2002-2005 Liberty (3.7L), Valve Cover Gasket, Right	17447.13
2003-2006 Wrangler (2.4L), 2002-2005 Liberty (2.4L), Valve Cover gasket	17447.07
2007-2011 Wrangler, 3.8L, Valve Cover Gaskets NEW	17447.15
2007-2012 Compass & Patriot, 2.0 & 2.4L, Valve Cover Gasket Set NEW	17447.16
2005-2012 Jeep models, 3.7L, Valve Cover Gasket, Left NEW	17447.17
2005-2012 Jeep models, 3.7L, Valve Cover Gasket, Right NEW	17447.18
2004-2007 Grand Cherokee, Valve Cover Gasket, Left NEW	17447.19
2004-2007 Grand Cherokee, Valve Cover Gasket, Right NEW	17447.20
2007-2007 Grand Cherokee, 4.7L, Valve Cover Gasket Kit NEW	17447.21
2005-2007 Liberty, Grand Cherokee, Commander, Valve Cover Gasket Kit NEW	17447.22

K. Upper Gasket Sets	Part#
1941-1953 Models, Upper Gasket Set (134 CI With L-Head)	17441.01
1952-1971 Models, Upper Gasket Set (134 CI With F-Head)	17441.02
1966-1971 Models, Upper Gasket Set (225 CI)	17441.12
1972-1980 Models, Upper Gasket Set (3.8L & 4.2L)	17441.06
1972-1981 Models, Upper Gasket Set (5.0L)	17441.10
1972-1991 Models, Upper Gasket Set (5.9L & 6.6L)	17441.11
1980-1983 Models, Upper Gasket Set (2.5L GM)	17441.03
1981-1990 Models, Upper Gasket Set (4.2L)	17441.07
1983-1986 Models, Upper Gasket Set (2.5L AMC)	17441.04
1987-1993 Models, Upper Gasket Set (2.5L)	17441.05
1987-1990 Models, Upper Gasket Set (4.0L)	17441.08
1991-1998 Models, 1999 Wrangler, Upper Gasket Set (4.0L)	17441.09
2007-2011 Wrangler, 3.8L, Upper Engine Gasket Set NEW	17441.13
1994-2002 Jeep models, 2.5L, Upper Engine Gasket Set NEW	17442.12
2005-2008 Grand Cherokee, 2006-2008 Commander, 5.7L, Upper Engine Gasket Set NEW	17442.13
2008-2009 Grand Cherokee, 4.7L, Upper Engine Gasket Set NEW	17442.14

L. Cylinder Head Gaskets	Part#
1954-1964 Models, Cylinder Head Gasket (226 CI)	17446.09
1966-1971 Models, Cylinder Head Gasket Set (225 CI)	17446.10
1972-1980 Models, Cylinder Head Gasket (3.8L, & 4.2L)	17446.04
1972-1981 Models, Head Gasket (5.0L)	17446.06
1972-1991 Models, Head Gasket (5.9L & 6.6L)	17446.07
1983-2002 Models, Cylinder Head Gasket (2.5L AMC)	17446.03
1987-1996 Models, Cylinder Head Gasket (4.0L)	17446.05
1997-2006 Models, Cylinder Head Gasket (4.0L)	17466.09
1999-2007 Models, Head Gasket (4.7L), LH or RH	17466.10
2002-2009 Models, Cylinder Head Gasket (3.7L), LH or RH	17466.11
2007-2011 Wrangler, 3.8L, Cylinder Head Gasket, Right NEW	17466.12
2007-2011 Wrangler, 3.8L, Cylinder Head Gasket, Left NEW	17466.13
2006-2010 Grand Cherokee, 6.1L, Head Gasket, LH or RH NEW	17466.14

N. Oil Pan Gaskets	Part#
1941-1971 Models, Oil Pan Gasket (134 CI)	17439.01
1966-1971 Models, Oil Pan Gasket (225 CI)	17439.08
1972-1979 Models (3.8L), 1972-1990 (4.2L), Oil Pan Gasket, Cork	17439.05
1972-1979 Models (3.8L), 1972-1990 (4.2L), Oil Pan Gasket, Rubber	17439.06
1972-1981 Models (5.0L), 1972-1991 (5.9L), 1974-1979 (6.6L), Oil Pan Gasket	17439.07
1983-1990 Models, Oil Pan Gasket (2.5L AMC), Cork	17439.02
1987-2006 Models, Oil Pan Gasket (4.0L)	17439.06
1991-1996 Models, Oil Pan Gasket (2.5L), Cork	17439.03
1997-2002 Models, Oil Pan Gasket (2.5L), Rubber	17439.04
1999-2009 Models, Oil Pan Gasket (4.7L)	17439.09
2002-2011 Models, Oil Pan Gasket (3.7L)	17439.10

O. Timing Cover Gaskets	Part#
1972-1990 (3.8L & 4.2L), 1983-1993 Models (2.5L), 1987-1992 (4.0L), Timing Cover Gasket	17449.01
1972-1991 Jeep Models, AMC Models: 1966 Classic, 1967-1974 Ambassador, 1967-1968 American, 1967-1970 Rebel, 1968-1979 AMX, 1968-1974 Javelin, 1969, Rambler, 1970-1977 Hornet, 1971-1978 Matador, 1972-1976 Gremlin, 1978-1979 Concord, 1978-1979 Pacer, Timing Cover Gasket (5.0L, 5.9L & 6.6L)	17449.03
1972-1991 Jeep Models, AMC Models: 1966 Classic, 1967-1974 Ambassador, 1967-1968 American, 1967-1970 Rebel, 1968-1979 AMX, 1968-1974 Javelin, 1969, Rambler, 1970-1977 Hornet, 1971-1978 Matador, 1972-1976 Gremlin, 1978-1979 Concord, 1978-1979 Pacer, Timing Cover Gasket Kit (5.0L, 5.9L & 6.6L)	17449.02
2005-2010 Grand Cherokee & Commander, Timing Cover Gasket NEW	17449.05

Engine

P. Intake & Exhaust Manifold Gaskets	Part#
1966-1971 Models, Intake Gasket Set [225 CI]	17445.01
1972-1981 Models [5.0L], 1972-1991 Models [5.9L & 6.6L], Intake Manifold Gasket	17451.07
1999-2006 Models, Intake Gasket Set [4.7L]	17445.03
2002-2007 Models, Intake Gasket [3.7L]	17445.04
2005-2008 Grand Cherokee 5.7L, Intake Manifold Gasket Set NEW	17445.06

Q. Camshaft Seal	Part#
2002-2006 Models, Camshaft Seal [2.4L]	17466.63

R. Crankshaft Oil Seals	Part#
1941-1971 Models, Rear Main Bearing Cap Side Oil Seal [134 CI]	17458.06
1941-1971 Models, Crankshaft Oil Seal [134 CI], 4 Piece Kit	17458.01
1972-1990 Models [3.8L & 4.2L], 1987-2006 Models [4.0L], Crankshaft Oil Seal	17459.01
1972-1990 Models [3.8L & 4.2L], 1987-2006 Models [4.0L], Crankshaft Oil Seal, Pair	17458.03
1972-1981 Models [5.0L], 1972-1991 Models [5.9L & 6.6L], Crank Shaft Seal, Front [Timing Cover]	17449.50
1972-1981 Models [5.0L], 1972-1991 Models [5.9L & 6.6L], Crank Shaft Seal, Rear	17458.04
1980-1983 Models, Crankshaft Oil Seal [2.5L GM]	17458.07
1983-2002 Models, Crankshaft Oil Seal [2.5L AMC]	17458.02

S. Pistons	Part#
1941-1971 Models, Piston [134 CI], Std, each	17427.01
1941-1971 Models, Piston [134 CI], .020" Over	17427.02
1941-1971 Models, Piston [134 CI], .030" Over	17427.03
1941-1971 Models, Piston [134 CI], .040" Over	17427.04
1941-1971 Models, Piston [134 CI], .060" Over	17427.05
1941-1971 Models, Piston [134 CI], .080" Over	17427.06
1954-1964 Models, Piston [226 CI], Std	17427.13
1954-1964 Models, Piston [226 CI], .020" Over	17427.14
1954-1964 Models, Piston [226 CI], .030" Over	17427.15
1954-1964 Models, Piston [226 CI], .040" Over	17427.16
1954-1964 Models, Piston [226 CI], .060" Over	17427.17
1954-1964 Models Piston Pin Bushing Set [226 CI], 6 Pieces	17428.01
1966-1971 Models, Piston [225 CI], Std	17427.30
1966-1971 Models, Piston [225 CI], .020" Over	17427.31
1966-1971 Models, Piston [225 CI], .030" Over	17427.32
1966-1971 Models, Piston [225 CI], .040" Over	17427.33
1972-1978 Models, Piston [3.8L or 4.2L], Std	17427.18
1972-1978 Models, Piston [3.8L or 4.2L], .020" Over	17427.19
1972-1978 Models, Piston [3.8L or 4.2L], .030" Over	17427.20
1972-1981 Models, Piston [5.0L], Std	17427.23
1972-1981 Models, Piston [5.0L], .030" Over	17427.24
1972-1991 Models, Piston [5.9L], Std	17427.25
1972-1991 Models, Piston [5.9L], .030" Over	17427.26
1974-1979 Models, Piston [6.6L], Std	17427.27
1974-1979 Models, Piston [6.6L], .030" Over	17427.28
1979-1990 Models, Piston [4.2L], Std	17427.21
1979-1990 Models, Piston [4.2L], .020" Over	17427.22
1979-1990 Models, Piston [4.2L], .030" Over	17427.29
1983-1995 Models, Piston [2.5L AMC], Std	17427.07
1983-1995 Models, Piston [2.5L AMC], .010" Over	17427.11
1983-1995 Models, Piston [2.5L AMC], .020" Over	17427.08
1983-1995 Models, Piston [2.5L AMC], .030" Over	17427.09
1983-1995 Models, Piston [2.5L AMC], .040" Over	17427.10
1987-1993 Models, Piston [4.0L], Std	17427.07
1987-1993 Models, Piston [4.0L], .010" Over	17427.11
1987-1993 Models, Piston [4.0L], .020" Over	17427.08
1987-1993 Models, Piston [4.0L], .030" Over	17427.09
1987-1993 Models, Piston [4.0L], .040" Over	17427.10
1996-2006 Models Piston [2.5L], Std	17427.12
1996-2000 Models, Piston [4.0L], Std	17427.12
1999-2007 Models [4.7L] 2003-2011 [3.7L], Piston, Std	17427.38
1999-2007 Models [4.7L] 2003-2011 [3.7L], Piston, 10mm Over	17427.39
1999-2007 Models [4.7L] 2003-2011 [3.7L], Piston, 25mm Over	17427.40
1999-2007 Models [4.7L] 2003-2011 [3.7L], Piston, 50mm Over	17427.41
1999-2007 Models [4.7L] 2003-2011 [3.7L], Piston, 75mm Over	17427.42
1999-2007 Models [4.7L] 2003-2011 [3.7L], Piston, 100mm Over	17427.43



T. Piston Ring Sets	Part#
1941-1971 Models, Piston Ring Sets [134 CI], Std	17430.01
1941-1971 Models, Piston Ring Sets [134 CI], .020 Over	17430.02
1941-1971 Models, Piston Ring Sets [134 CI], .030 Over	17430.03
1941-1971 Models, Piston Ring Sets [134 CI], .040 Over	17430.04
1941-1971 Models, Piston Ring Sets [134 CI], .060 Over	17430.05
1941-1971 Models, Piston Ring Sets [134 CI], .080 Over	17430.06
1954-1964 Models, Piston Ring Set [226 CI], Std	17430.13
1954-1964 Models, Piston Ring Set [226 CI], .010" Over	17430.14
1954-1964 Models, Piston Ring Set [226 CI], .020" Over	17430.15
1954-1964 Models, Piston Ring Set [226 CI], .030" Over	17430.16
1954-1964 Models, Piston Ring Set [226 CI], .040" Over	17430.17
1954-1964 Models, Piston Ring Set [226 CI], .060" Over	17430.18
1966-1971 Models, Piston Ring Set [225 CI], Std	17430.50
1966-1971 Models, Piston Ring Set [225 CI], .010" Over	17430.50
1966-1971 Models, Piston Ring Set [225 CI], .020" Over	17430.51
1966-1971 Models, Piston Ring Set [225 CI], .030" Over	17430.52
1966-1971 Models, Piston Ring Set [225 CI], .040" Over	17430.53
1966-1971 Models, Piston Ring Set [225 CI], .060" Over	17430.54
1972-1990 Models, Piston Ring Set [3.8L or 4.2L], Std	17430.19
1972-1990 Models, Piston Ring Set [3.8L or 4.2L], .020" Over	17430.20
1972-1990 Models, Piston Ring Set [3.8L or 4.2L], .030" Over	17430.21
1972-1990 Models, Piston Ring Set [3.8L or 4.2L], .040" Over	17430.22
1972-1990 Models, Piston Ring Set [3.8L or 4.2L], .060" Over	17430.23
1972-1981 Models, Piston Ring Set [5.0L], Std	17430.28
1972-1981 Models, Piston Ring Set [5.0L], .020" Over	17430.29
1972-1981 Models, Piston Ring Set [5.0L], .030" Over	17430.30
1972-1991 Models, Piston Ring Set [5.9L], Std	17430.31
1972-1991 Models, Piston Ring Set [5.9L], .010" Over	17430.32
1972-1991 Models, Piston Ring Set [5.9L], .020" Over	17430.33
1972-1991 Models, Piston Ring Set [5.9L], .030" Over	17430.34
1974-1979 Models, Piston Ring Set [6.6L], Std	17430.35
1974-1979 Models, Piston Ring Set [6.6L], .020" Over	17430.36
1974-1979 Models, Piston Ring Set [6.6L], .030" Over	17430.37
1983-1995 Models, Piston Ring Set [2.5L AMC], Std	17430.09
1983-1995 Models, Piston Ring Set [2.5L AMC], .010" Over	17430.10
1983-1995 Models, Piston Ring Set [2.5L AMC], .020" Over	17430.11
1983-1995 Models, Piston Ring Set [2.5L AMC], .030" Over	17430.12
1987-1993 Models, Piston Ring Set [4.0L], Std	17430.24
1987-1993 Models, Piston Ring Set [4.0L], .010	17430.25
1987-1993 Models, Piston Ring Set [4.0L], .020	17430.26
1987-1993 Models, Piston Ring Set [4.0L], .030	17430.27
1993-1998 Models, Piston Ring Set [5.2L], Std	17430.38
1993-1998 Models, Piston Ring Set [5.2L], .020" Over	17430.39
1993-1998 Models, Piston Ring Set [5.2L], .030" Over	17430.40
1999-2007 Models, Piston Ring Set [4.7L], Std	17430.45
1999-2007 Models, Piston Ring Set [4.7L], 25mm Over	17430.46
1999-2007 Models, Piston Ring Set [4.7L], 50mm Over	17430.47
1999-2007 Models, Piston Ring Set [4.7L], 75mm Over	17430.48
1999-2007 Models, Piston Ring Set [4.7L], 100mm Over	17430.49

V. Main Bearings

	Part#
1941-1971 Models, Main Bearing Set (134 CI), Std Bore	17465.01
1941-1971 Models, Main Bearing Set (134 CI), .010" Over	17465.02
1941-1971 Models, Main Bearing Set (134 CI), .020" Over	17465.03
1941-1971 Models, Main Bearing Set (134 CI), .030" Over	17465.04
1941-1971 Models, Main Bearing Set (134 CI), .040" Over	17465.05
1941-1971 Models, Main Bearing Set (134 CI), .050" Over	17465.06
1941-1971 Models, Main Bearing Set (134 CI), .060" Over	17465.07
1941-1971 Models, Main Bearing Set (134 CI), .070" Over	17465.08
1941-1971 Models, Main Bearing Set (134 CI), .080" Over	17465.09
1954-1964 Models, Main Bearing Set (226 CI), .010" Over	17465.28
1954-1964 Models, Main Bearing Set (226 CI), .030" Over	17465.30
1954-1964 Models, Main Bearing Set (226 CI), .060" Over	17465.32
1972-1990 Models, Main Bearing Set (3.8L, 4.0L & 4.2L), Std Bore	17465.35
1972-1990 Models, Main Bearing Set (3.8L, 4.0L & 4.2L), .010" Over	17465.36
1972-1990 Models, Main Bearing Set (3.8L, 4.0L & 4.2L), .020" Over	17465.37
1972-1990 Models, Main Bearing Set (3.8L, 4.0L & 4.2L), .030" Over	17465.38
1972-1981 Models (5.0L), 1972-1991 (5.9L), Main Bearing Set, Std Bore	17465.49
1972-1981 Models (5.0L), 1972-1991 (5.9L), Main Bearing Set, .010" Over	17465.50
1972-1981 Models (5.0L), 1972-1991 (5.9L), Main Bearing Set, .020" Over	17465.51
1972-1981 Models (5.0L), 1972-1991 (5.9L), Main Bearing Set, .030" Over	17465.52
1974-1979 Models (6.6L), Main Bearing Set, Std Bore	17465.56
1974-1979 Models (6.6L), Main Bearing Set, .010" Over	17465.57
1974-1979 Models (6.6L), Main Bearing Set, .030" Over	17465.59
1974-1979 Models (6.6L), Main Bearing Set, .020" Over	17465.58
1983-1990 Models, Main Bearing Set (2.5L AMC), Std Bore	17465.12
1983-1990 Models, Main Bearing Set (2.5L AMC), .010" Over	17465.13
1983-1990 Models, Main Bearing Set (2.5L AMC), .020" Over	17465.14
1983-1990 Models, Main Bearing Set (2.5L AMC), .030" Over	17465.15
1991-2002 Models (2.5L), 1997-2006 (4.0L), Main Bearing Set, Std Bore	17465.18
1991-2002 Models (2.5L), 1997-2006 (4.0L), Main Bearing Set, .010" Over	17465.19
1991-2002 Models (2.5L), 1997-2006 (4.0L), Main Bearing Set, .020" Over	17465.20
1991-2002 Models (2.5L), 1997-2006 (4.0L), Main Bearing Set, .030" Over	17465.21
1991-2002 Models (2.5L), 1997-2006 (4.0L), Main Bearing Set, .040" Over	17465.22
1991-1996 Models, Main Bearing Set (4.0L), Std Bore	17465.42
1991-1996 Models, Main Bearing Set (4.0L), .010" Over	17465.43
1991-1996 Models, Main Bearing Set (4.0L), .020" Over	17465.44
1991-1996 Models, Main Bearing Set (4.0L), .030" over	17465.45
1993-1998 Models, Main Bearing Set (5.2L), Std Bore	17465.80
1993-1998 Models, Main Bearing Set (5.2L), .010" Over	17465.81
1993-1998 Models, Main Bearing Set (5.2L), .020" Over	17465.82
1993-1998 Models, Main Bearing Set (5.2L), .030" Over	17465.83
1993-1998 Models, Main Bearing Set (5.2L), .040" Over	17465.84
1998 Models, Main Bearing Set (5.9L), Std Bore	17465.90
1998 Models, Main Bearing Set (5.9L), .010" Over	17465.91
1998 Models, Main Bearing Set (5.9L), .020" Over	17465.92
1998 Models, Main Bearing Set (5.9L), .030" Over	17465.93
1998 Models, Main Bearing Set (5.9L), .040" Over	17465.94
1999-2006 Models, Main Bearing Set (4.7L), Std Bore	17465.70
1999-2006 Models, Main Bearing Set (4.7L), .010" Over	17465.71
1999-2006 Models, Main Bearing Set (4.7L), .020" Over	17465.72
1999-2006 Models, Main Bearing Set (4.7L), .030" Over	17465.73
1999-2006 Models, Main Bearing Set (4.7L), .040" Over	17465.74
2002-2006 Models, Main Bearing Set (2.4L), Std Bore	17465.65
2002-2006 Models, Main Bearing Set (2.4L), .010" Over	17465.66
2002-2006 Models, Main Bearing Set (2.4L), .020" Over	17465.67
2002-2006 Models, Main Bearing Set (2.4L), .030" Over	17465.68
2002-2006 Models, Main Bearing Set (2.4L), .040" Over	17465.69
2002-2005 Models, Main Bearing Set (3.7L), Std Bore	17465.75
2002-2005 Models, Main Bearing Set (3.7L), .010" Over	17465.76
2002-2005 Models, Main Bearing Set (3.7L), .020" Over	17465.77
2002-2005 Models, Main Bearing Set (3.7L), .030" Over	17465.78
2002-2005 Models, Main Bearing Set (3.7L), .040" Over	17465.79
1966-1971 Models, Main Bearing Set, .010" Over, 225 Cubic Inch NEW	17465.61
1966-1971 Models, Main Bearing Set, .020" Over, 225 Cubic Inch NEW	17465.62
1966-1971 Models, Main Bearing Set, .030" Over, 225 Cubic Inch NEW	17465.63
1966-1971 Models, Main Bearing Set, .040" Over, 225 Cubic Inch NEW	17465.64
2007-2011 Wrangler, Main Bearing Set (3.8L), Standard NEW	17465.95

[U] 16910.01



Engine

[U] 16910.03



[V] 17465.04



[V] 17465.06

[V] 17465.03



[V] 17465.32

U. Crankshaft Pilot Bearings

	Part#
1941-1971 Models, Crankshaft Pilot Bearing (134 CI)	16910.01
1972-1975 Models, Crankshaft Pilot Bearing (3.8L, 4.2L, 5.0L & 5.9L)	16910.04
1977-1979 Models, Crankshaft Pilot Bearing (3.8L, 4.2L, 5.0L & 5.9L)	16910.05
1980-1983 Models, Crankshaft Pilot Bearing (2.5L 6M)	16910.02
1980-1986 Models, Crankshaft Pilot Bearing (4.2L, 5.0L & 5.9L)	16910.06
1983-2000 Models, Crankshaft Pilot Bearing (2.5L AMC With MT)	16910.03
1987-1991 Models, Crankshaft Pilot Bearing (4.0L & 4.2L)	16910.07
1992-1999 Models, Crankshaft Pilot Bearing (4.0L)	16910.08
2003-2006 Models, Crankshaft Pilot Bearing (2.4L)	16910.10

Engine



[W1] 17467.01



[W1] 17467.13



[Y] 17421.10



[Y] 17420.02

W1. Connecting Rod Bearings (Each)

Part#

1941-1971 Models, Connecting Rod Bearing (134 CI), Std Bore	17467.01
1941-1971 Models, Connecting Rod Bearing (134 CI), .010" Over	17467.02
1941-1971 Models, Connecting Rod Bearing (134 CI), .020" Over	17467.03
1941-1971 Models, Connecting Rod Bearing (134 CI), .030" Over	17467.04
1941-1971 Models, Connecting Rod Bearing (134 CI), .040" Over	17467.05
1941-1971 Models, Connecting Rod Bearing (134 CI), .050" Over	17467.06
1941-1971 Models, Connecting Rod Bearing (134 CI), .060" Over	17467.07
1941-1971 Models, Connecting Rod Bearing (134 CI), .070" Over	17467.08
1941-1971 Models, Connecting Rod Bearing (134 CI), .080" Over	17467.09
1954-1964 Models, Connecting Rod Bearing (226 CI Odd Cylinders), Std Bore	17467.12
1954-1964 Models, Connecting Rod Bearing (226 CI Odd Cylinders), .010 Over	17467.13
1954-1964 Models, Connecting Rod Bearing (226 CI Odd Cylinders), .020" Over	17467.14
1954-1964 Models, Connecting Rod Bearing (226 CI Odd Cylinders), .030" Over	17467.15
1954-1964 Models, Connecting Rod Bearing (226 CI Odd Cylinders), .040" Over	17467.16
1954-1964 Models, Connecting Rod Bearing (226 CI Even Cylinders), Std Bore	17467.18
1954-1964 Models, Connecting Rod Bearing (226 CI Even Cylinders), .010 Over	17467.19
1954-1964 Models, Connecting Rod Bearing (226 CI Even Cylinders), .020" Over	17467.20
1954-1964 Models, Connecting Rod Bearing (226 CI Even Cylinders), .030" Over	17467.21
1954-1964 Models, Connecting Rod Bearing (226 CI Even Cylinders), .040" Over	17467.22
1972-1990 Models (3.8L, 4.0L & 4.2L), 1972-1981 (5.0L), 1974-1979 (6.6L), 1983-2002 (2.5L AMC), 1987-1999 (4.0L), Connecting Rod Bearing, Std Bore	17467.24
1972-1990 Models (3.8L, 4.0L & 4.2L), 1972-1981 (5.0L), 1974-1979 (6.6L), 1983-2002 (2.5L AMC), 1987-1999 (4.0L), Connecting Rod Bearing, .001" Over	17467.25
1972-1990 Models (3.8L, 4.0L & 4.2L), 1972-1981 (5.0L), 1974-1979 (6.6L), 1983-2002 (2.5L AMC), 1987-1999 (4.0L), Connecting Rod Bearing, .010" Over	17467.26
1972-1990 Models (3.8L, 4.0L & 4.2L), 1972-1981 (5.0L), 1974-1979 (6.6L), 1983-2002 (2.5L AMC), 1987-1999 (4.0L), Connecting Rod Bearing, .020" Over	17467.27
1972-1990 Models (3.8L, 4.0L & 4.2L), 1972-1981 (5.0L), 1974-1979 (6.6L), 1983-2002 (2.5L AMC), 1987-1999 (4.0L), Connecting Rod Bearing, .030" Over	17467.28
1974-1979 Models, Connecting Rod Bearing (6.6L), Std Bore	17467.32
1974-1979 Models, Connecting Rod Bearing (6.6L), .010" Over	17467.33
1974-1979 Models, Connecting Rod Bearing (6.6L), .020" Over	17467.34
1974-1979 Models, Connecting Rod Bearing (6.6L), .030" Over	17467.35
1993-1998 Models, Connecting Rod Bearing (5.2L), Std Bore	17467.39
1993-1998 Models, Connecting Rod Bearing (5.2L), .001" Over	17467.40
1993-1998 Models, Connecting Rod Bearing (5.2L), .002" Over	17467.41
1993-1998 Models, Connecting Rod Bearing (5.2L), .010" Over	17467.42

W2. Connecting Rod Bearings (Set)

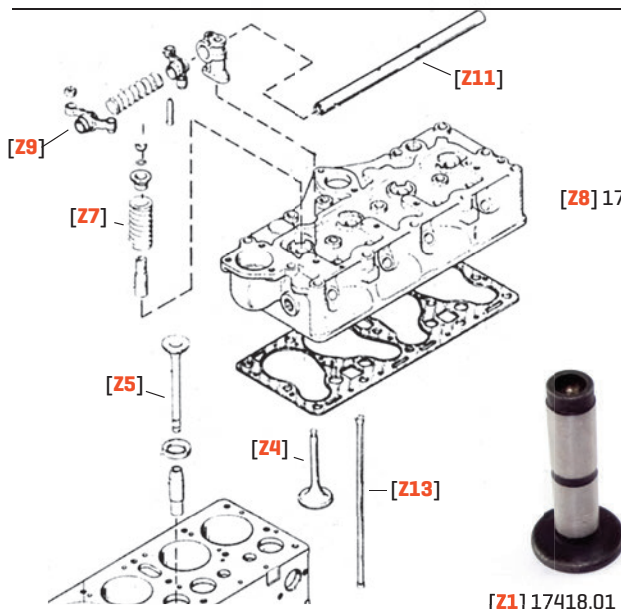
Part#

1941-1971 Models, Connecting Rod Bearing Set (134 CI), Std Bore	17467.60
1941-1971 Models, Connecting Rod Bearing Set (134 CI), .010" Over	17467.61
1941-1971 Models, Connecting Rod Bearing Set (134 CI), .020" Over	17467.62
1941-1971 Models, Connecting Rod Bearing Set (134 CI), .030" Over	17467.63
1941-1971 Models, Connecting Rod Bearing Set (134 CI), .040" Over	17467.64
1941-1971 Models, Connecting Rod Bearing Set (134 CI), .050" Over	17467.65
1941-1971 Models, Connecting Rod Bearing Set (134 CI), .060" Over	17467.66
1941-1971 Models, Connecting Rod Bearing Set (134 CI), .070" Over	17467.67
1941-1971 Models, Connecting Rod Bearing Set (134 CI), .080" Over	17467.68
1993-1998 Models, Connecting Rod Bearing Set (5.2L), Std Bore	17467.80
1993-1998 Models, Connecting Rod Bearing Set (5.2L), .001" Over	17467.81
1993-1998 Models, Connecting Rod Bearing Set (5.2L), .010" Over	17467.82
1993-1998 Models, Connecting Rod Bearing (5.2L), .020" Over	17467.83
1993-1998 Models, Connecting Rod Bearing (5.2L), .030" Over	17467.84
1993-1998 Models, Connecting Rod Bearing (5.2L), .040" Over	17467.85
1999-2006 Models, Connecting Rod Bearing Set (4.7L), Std Bore	17467.50
1999-2006 Models, Connecting Rod Bearing Set (4.7L), .010" Over	17467.51
1999-2006 Models, Connecting Rod Bearing Set (4.7L), .020" Over	17467.52
1999-2006 Models, Connecting Rod Bearing Set (4.7L), .030" Over	17467.53
1999-2006 Models, Connecting Rod Bearing Set (4.7L), .040" Over	17467.54
2002-2006 Models, Connecting Rod Bearing Set (2.4L), Std Bore	17467.55
2002-2006 Models, Connecting Rod Bearing Set (2.4L), .010" Over	17467.56
2002-2006 Models, Connecting Rod Bearing Set (2.4L), .020" Over	17467.57
2002-2006 Models, Connecting Rod Bearing Set (2.4L), .030" Over	17467.58
2002-2006 Models, Connecting Rod Bearing Set (3.7L), Std Bore	17467.70
2002-2006 Models, Connecting Rod Bearing Set (3.7L), .010" Over	17467.71
2002-2006 Models, Connecting Rod Bearing Set (3.7L), .020" Over	17467.72
2002-2006 Models, Connecting Rod Bearing Set (3.7L), .030" Over	17467.73
2002-2006 Models, Connecting Rod Bearing Set (3.7L), .040" Over	17467.74
2006-2010 Grand Cherokee, Connecting Rod Bearing (6.1L), STD NEW	17467.86
2006-2010 Grand Cherokee, Connecting Rod Bearing (6.1L), 25mm NEW	17468.87
2006-2010 Grand Cherokee, Connecting Rod Bearing (6.1L), 50mm NEW	17467.88

Y. Camshafts

Part#

1941-1945 MB, 1941-1945 Ford GPW, Camshaft (134 CI L-Head With Chain Driven Camshaft)	17421.01
1945-1949 CJ2A, 1948-1953 CJ3A, 1950-1952 M38, Camshaft (134 CI L-Head With Gear Driven Camshaft)	17421.01
1945-1971 Models, Camshaft Thrust Plate (134 CI L-Head With Gear Driven Camshaft & F-Head)	17470.03
1952-1971 M38A1, 1953-1967 CJ3B, 1955-1971 CJ5, 1955-1971 CJ6, Camshaft (134 CI With F-Head)	17421.03
1972-1978 Models, Camshaft (3.8L & 4.2L)	17421.07
1972-1978 Models, Camshaft Kit (3.8L & 4.2L), Includes Camshaft, Lube and Lifters	17420.01
1972-1991 Models, Camshaft (5.0L, 5.9L, 6.6L)	17421.10
1972-1991 Models, Camshaft Kit (5.0L, 5.9L & 6.6L), Includes Camshaft, Lube and Lifters	17420.03
1979-1990 Models, Camshaft (4.2L)	17421.08
1979-1990 Models, Camshaft Kit (4.2L), Includes Camshaft, Lube and Lifters	17420.02
1987-1995 Models, Camshaft (4.0L)	17421.09
1996-2002 Models, Camshaft (2.5L)	17421.14
1999-2006 Models, Camshaft (4.0L)	17421.15



[Z8] 17411.04

[Z6] 17743.01

[Z9] 17408.06

[Z1] 17418.01

Z. Camshaft Bearings	Part#
1941-1971 Models, Camshaft Bearing (134 CI), Std	17422.01
1941-1971 Models, Camshaft Bearing (134 CI), .010" Over	17422.02
1954-1964 Models, Camshaft Bearing Set (226 CI), Std	17422.05
1972-1990 Models, Camshaft Bearing Set (3.8L & 4.2L), Std Bore	17422.03
1972-1990 Models, Camshaft Bearing Set (3.8L & 4.2L), .010" Over	17422.04
1972-1991 Models, Camshaft Bearing Set (5.0L, 5.9L, 6.6L), Std	17422.06
1983-2002 Models (2.5L AMC), 1987-2003 (4.0L), Camshaft Bearing Set, Std	17422.03
1983-2002 Models (2.5L AMC), 1987-2003 (4.0L), Camshaft Bearing Set, .010" Over	17422.04
1993-1998 Models (5.2L), 1998 (5.9L), Camshaft Bearing Set, Std	17422.09

Z1. Lifters / Tappets	Part#
1952-1971 M38A1, 1953-1967 CJ3B, 1955-1971 CJ5, 1955-1971 CJ6, Flat Tappet Lifter	17418.01
1972-1979 (3.8L), 1972-1990 (4.2L), 1972-1981 (5.0L), 1983-2002 (2.5L), 1987-1996 (4.0L), Lifter, (8 Required for 4 Cyl, 12 Required for 6 Cyl & 16 Required for V8)	17418.03
1993-1998 Models (5.2L), 1998 (5.9L), Lifter, 16 Required	17418.04

Z2. Connecting Rods	Part#
1941-1971 Models, Connecting Rod Bolt With Nut	17470.12
1972-1976 Models, Connecting Rod (3.8L & 4.2L)	17469.03
1977-1982 Models, Connecting Rod (3.8L & 4.2L)	17469.04
1983-1990 Models, Connecting Rod (4.2L)	17469.05

Z3. Cylinder Head	Part#
1987-1990 Wrangler, Cylinder Head, Assembled	17407.01

Z4. Intake Valves	Part#
1941-1945 MB, 1941-1945 Ford GPW, 1945-1949 CJ2A, 1948-1953 CJ3A, Intake Valve (134 CI L-Head)	17417.01
1952-1971 M38A1, 1953-1967 CJ3B, 1955-1971 CJ5, 1955-1971 CJ6, Intake Valve (134 CI F-Head)	17417.02
1954-1964 Models, Intake Valve (226 CI)	17417.13
1972-1980 Models, Intake Valve (3.8L, 4.2L & 5.0L), Std	17417.05
1972-1980 Models, Intake Valve (3.8L, 4.2L & 5.0L), .003" Over	17417.06
1972-1980 Models, Intake Valve (3.8L, 4.2L & 5.0L), .015" Over	17417.07
1974-1979 Models (6.6L), 1974-1991 (5.9L), Intake Valve	17417.11
1981-1990 Models, Intake Valve (4.2L), Std	17417.08
1981-1990 Models, Intake Valve (4.2L), .003" Over	17417.09
1987-1998 Models, Intake Valve (2.5L & 4.0L), Std	17417.03
1987-1998 Models, Intake Valve (2.5L & 4.0L), .015" Over	17417.04
1993-1998 Models, Intake Valve (5.2L)	17417.12
2002-2009 Models, Intake Valve (3.7L)	17417.19

Z5. Exhaust Valves	Part#
1941-1945 MB, 1941-1945 Ford GPW, 1945-1949 CJ2A, 1948-1953 CJ3A, Intake Spring (134 CI L-Head)	17415.01
1952-1971 M38A1, 1953-1967 CJ3B, 1955-1971 CJ5, 1955-1971 CJ6, Exhaust Valve (134 CI F-Head)	17415.02
1954-1964 Models, Exhaust Valve (226 CI)	17415.13
1966-1971 Models, Exhaust Valve (225 CI), 1.375" Diameter	17415.14
1972-1980 Models, Exhaust Valve (3.8L, 4.2L & 5.0L), Std	17415.05
1972-1980 Models, Exhaust Valve (3.8L, 4.2L & 5.0L), .003" Over	17415.06
1972-1980 Models, Exhaust Valve (3.8L, 4.2L & 5.0L), .015" Over	17415.07
1974-1979 Models (6.6L), 1974-1991 (5.9L), Exhaust Valve	17415.11
1981-1990 Models, Exhaust Valve (4.2L), Std	17415.08
1981-1990 Models, Exhaust Valve (4.2L), .003" Over	17415.09
1981-1990 Models, Exhaust Valve (4.2L), .015" Over	17415.10
1987-1998 Models, Exhaust Valve (2.5L & 4.0L), Std	17415.03
1987-1998 Models, Exhaust Valve (2.5L & 4.0L), .015" Over	17415.04
1993-1998 Models, Exhaust Valve (5.2L)	17415.12

Z6. Valve Stem Seals & Guides	Part#
1952-1971 M38A1, 1953-1967 CJ3B, 1955-1971 CJ5, 1955-1971 CJ6, Intake Valve Guide (134 CI F-Head)	17416.03
1952-1971 M38A1, 1953-1967 CJ3B, 1955-1971 CJ5, 1955-1971 CJ6, Intake Valve Stem Seal (134 CI F-Head)	17443.06
1972-1991 Models, Valve Stem Seal (3.8L, 4.2L, 5.0L, 5.9L & 6.6L), Intake & Exhaust	17443.05
1987-1993 Models, Valve Stem Seal (2.5L & 4.0L), Intake	17443.03
1993-1998 Models (5.2L), 1998 (5.9L), 1994-2002 (2.5L), 1994-2006 (4.0L), Exhaust Stem Seal	17443.04
2007-2011 Wrangler (3.8L) Valve Stem Seal NEW	17443.07
2007-2011 Wrangler (3.8L) Valve Stem Seal NEW	17443.07
2005-2010 Grand Cherokee & Commander (5.7L & 6.1L) Valve Guide Seal NEW	17443.08
2006-2010 Grand Cherokee (6.1L), Intake Valve Guide Seal NEW	17443.09
1984-2002 Models, Intake Valve Guide Seal	17443.10

Z7. Valve Springs	Part#
1941-1945 MB, 1941-1945 Ford GPW, 1945-1949 CJ2A, 1948-1953 CJ3A, Intake Spring (134 CI L-Head)	17409.01
1941-1971 Models, Exhaust Spring (134 CI)	17409.01
1952-1971 M38A1, 1953-1967 CJ3B, 1955-1971 CJ5, 1955-1971 CJ6, Intake Spring (134 CI F-Head)	17409.02

Z8. Rocker Arm Kits	Part#
1952-1971 M38A1, 1953-1967 CJ3B, 1955-1971 CJ5, 1955-1971 CJ6, Rocker Arm Kit, Includes Arm, Brackets & Shaft	17411.01
1972-1991 Models, Rocker Arm Kit (5.0L, 5.9L & 6.6L), Includes 2 Arms, 2 Pivots & 1 Bridge	17411.05
1974-1982 Models, Rocker Arm Kit (3.8L & 4.2L), Includes 2 Arms, 2 Pivots & 1 Bridge	17411.02
1981-1986 Models, Rocker Arm Kit (4.2L), Includes 2 Arms, 2 Pivots & 1 Bridge With Stud	17411.04
1983-1990 Models, Rocker Arm Kit (4.2L), Includes 2 Arms, 2 Pivots & 1 Bridge Without Stud	17411.03

Z9. Rocker Arms	Part#
1952-1971 M38A1, 1953-1967 CJ3B, 1955-1971 CJ5, 1955-1971 CJ6, Rocker Arm, Left, 2 Required	17408.03
1952-1971 M38A1, 1953-1967 CJ3B, 1955-1971 CJ5, 1955-1971 CJ6, Rocker Arm, Right, 2 Required	17408.04
1972-1991 Models, Rocker Arm (5.0L, 5.9L & 6.6L)	17408.14
1974-1982 Models, Rocker Arm (3.8L & 4.2L)	17408.07
1983-2002 Models, Rocker Arm (2.5L AMC)	17408.06
1983-1990 Models (4.2L), 1987-2006 (4.0L), Rocker Arm	17408.06

Engine



[Z13] 17410.04



[Z14] 17433.07



[Z17] 17435.01



[Z10] 17408.10



[Z11] 17408.02



[Z15] 17470.10



[Z16] 17424.01



[Z14] 17433.01



[Z16A] 17436.11

Z10. Rocker Arm Pivots	Part#
1972-1991 Models (5.0L, 5.9L & 6.6L), 1983-2002 (2.5L AMC), 1983-1990 (4.2L), 1987-2006 (4.0L), Rocker Arm Pivot	17408.10
1974-1982 Models, Rocker Arm Pivots (3.8L & 4.2L)	17408.13

Z11. Rocker Arm Shafts	Part#
1952-1971 M38A1, 1953-1967 CJ3B, 1955-1971 CJ5, 1955-1971 CJ6, Rocker Arm Bracket	17408.02
1952-1971 M38A1, 1953-1967 CJ3B, 1955-1971 CJ5, 1955-1971 CJ6, Rocker Arm Shaft	17408.05
1972-1973 Models, Rocker Arm Shaft (3.8L & 4.2L)	17408.09

Z12. Rocker Arm Bridges	Part#
1972-1991 Models (5.0L, 5.9L & 6.6L), 1983-1990 (4.2L Without Stud), 1987-2006 (4.0L), Rocker Arm Bridge	17408.11
1981-1986 Models, Rocker Arm Bridge (4.2L), Without Stud	17408.12
1983-2002 Models, Rocker Arm Bridge (2.5L AMC)	17408.11

Z13. Push Rods	Part#
1972-1991 Models, Push Rod (5.0L, 5.9L & 6.6L)	17410.06
1972-1977 Models, Push Rod (3.8L & 4.2L)	17410.02
1978-1980 Models, Push Rod (3.8L & 4.2L)	17410.03
1981-1990 Models, Push Rod (4.2L)	17410.04
1983-2002 Models, Push Rod (2.5L)	17410.01

Z14. Oil Pump	Part#
1941-1945 MB, 1941-1945 Ford GPW, Oil Pump	17433.01
1945-1949 CJ2A, 1948-1953 CJ3A, 1953-1967 CJ3B, 1952-1971 M38A1, 1955-1971 CJ5, 1955-1971 CJ6, 1946-1964 Truck, 1946-1964 Station Wagon, Oil Pump (134 CI)	17433.02
1954-1964 Models, Oil Pump (226 CI)	17433.04
1972-1980 Models, Oil Pump (3.8L & 4.2L)	17433.05
1972-1980 Models, Oil Pump Kit (3.8L & 4.2L), Includes Oil Pump & Screen	17433.07
1972-1991 Models, Oil Pump Repair Kit (5.0L, 5.9L & 6.6L)	17433.11
1972-1991 Models, Oil Pump Cover (5.0L, 5.9L & 6.6L)	17470.15
1972-1991 Models, Oil Pump Cover Gasket (5.0L, 5.9L & 6.6L)	17439.12
1981-1990 Models (4.2L), 1983-2002 (2.5L AMC), 1987-2006 (4.0L), Oil Pump	17433.03
1981-1990 Models, Oil Pump Kit (4.2L), Includes Oil Pump & Screen	17433.09
2002-2006 Models, Oil Pump (2.4L)	17433.15

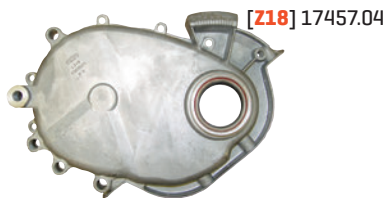
Z14. Oil Pump Screen	Part#
1972-1980 Models, Oil Pump Screen (3.8L & 4.2L)	17433.06
1972-1991 Models, Oil Pump Screen (5.0L, 5.9L & 6.6L)	17433.12
1981-1990 Models, Oil Pump Screen (4.2L)	17433.08
1997-2002 Models, Oil Pump Screen (2.5L)	17433.13

Z15. Oil Lines	Part#
1941-1953 Models, Oil Line (134 CI L-Head), Inlet (25")	17470.06
1941-1953 Models, Oil Line (134 CI L-Head), Outlet (10")	17470.07
1953-1971 Models, Oil Line (134 CI F-Head), Inlet (23")	17470.08
1953-1971 Models, Oil Line (134 CI F-Head), Inlet (30.5")	17470.09
1953-1971 Models, Oil Line (134 CI F-Head), Outlet (12")	17470.10

Z16. Oil Dipsticks	Part#
1974-1981 Models (5.0L), 1974-1979 (6.6L), Oil Dipstick	17424.03
1974-1981 Models (5.0L), 1974-1979 (6.6L), Oil Dipstick Tube	17424.02
1974-1981 Models (5.0L), 1974-1979 (6.6L), Oil Dipstick Kit	17424.01
1997-1999 Wrangler (2.5L), Oil Dipstick	17424.04
1997-2006 Wrangler (4.0L), Oil Dipstick	17424.05

Z16A. Oil Filters	Part#
1941-1945 MB, 1941-1945 GPW, 1950-1952 M38, 1952-1971 M38A1, Oil Filter (134 CI With L-Head), Canister Style	17436.01
1945-1949 CJ2A, 1948-1953 CJ3A, 1953-1967 CJ3B, 1955-1966 CJ5, 1955-1966 CJ6, 1946-1964 Truck, 1946-1964 Station Wagon, Oil Filter (134 CI), Canister Style	17436.02
1945-1949 CJ2A, 1948-1953 CJ3A, 1953-1967 CJ3B, 1955-1966 CJ5, 1955-1966 CJ6, 1946-1964 Truck, 1946-1964 Station Wagon, Oil Filter Cover (134 CI With Canister Style Filter)	17436.05
1945-1949 CJ2A, 1948-1953 CJ3A, 1953-1967 CJ3B, 1955-1966 CJ5, 1955-1966 CJ6, 1946-1964 Truck, 1946-1964 Station Wagon, Oil Canister Assembly (134 CI), Fram Style	17436.03
1954-1964 Truck and Station Wagon, Oil Filter (226 CI), Canister Style	17436.14
1966-1971 CJ5, 1966-1971 CJ6, Oil Filter (134 CI), Disposable Style	17436.04
1972-1973 CJ5 (3.8L & 4.2L), 1972-1973 CJ6 (3.8L & 4.2L), 1972-1973 Cherokee / Grand Wagoneer (SJ) (4.2L), Oil Filter	17436.10
1974-1980 Models, Oil Filter (3.8L, 4.2L, 5.0L, 5.9L)	17436.11
1980-1983 (2.5L GM), 1983-1986 (2.5L AMC), Oil Filter	17436.06
1981-1986 (4.2L), Oil Filter	17436.12
1986-1996 (2.1L Diesel), 1987-1993 Models (2.5L), 1987-1990 (4.2L), Oil Filter (Metric Thread)	17436.07
1991-2002 (2.5L), 1991-2006 (4.0L), 1993-1998 (5.2L), 1998 (5.8L), 1999-2008 (4.7L), 2005-Oil Filter (SAE Thread)	17436.08
1999-2003 Export Models, Oil Filter (3.1L Diesel)	17436.15
2002-2006 Models (2.4L), 2007-2011 (3.8L), Oil Filter	17436.09
2002-2008 Models, Oil Filter (3.7L)	17436.13
2005-2006 Liberty (2.8L Diesel), Oil Filter	17436.16
2005-2011 Models (3.0L Diesel), Oil Filter	17436.18
2008-2011 Models, Oil Filter (4.7L, 5.7L, 6.1L)	17436.17
2009-2010 Models, Oil Filter (3.7L)	17436.19
2011-2014 Models, Oil Filter (3.6L)	17436.20

Z17. Oil Filter Bracket	Part#
1941-1945 MB, 1941-1945 GPW, 1945-1949 CJ2A, 1948-1953 CJ3A, 1950-1952 M38, 1946-1949 Truck, 1946-1949 Station Wagon, 1948-1949 Jeepster, Oil Filter Bracket (134 CI With L-Head)	17435.01



[Z19] 17452.02



[Z21] 17453.18



[Z23] 17461.01

Z18. Timing Covers	Part#
1972-1990 (3.8L & 4.2L), 1983-1993 Models (2.5L), 1987-1992 (4.0L), Timing Cover	17457.01
1972-1990 (3.8L & 4.2L), 1987-1992 (4.0L), Timing Cover Kit, Includes Cover & Rubber Oil Pan Gasket	17457.07
1972-1991 Jeep Models, AMC Models: 1966 Classic, 1967-1974 Ambassador, 1967-1968 American, 1967-1970 Rebel, 1968-1979 AMX, 1968-1974 Javelin, 1969, Rambler, 1970-1977 Hornet, 1971-1978 Matador, 1972-1976 Gremlin, 1978-1979 Concord, 1978-1979 Pacer, Timing Cover (5.0L, 5.9L & 6.6L)	17457.05
1972-1991 Jeep Models, AMC Models: 1966 Classic, 1967-1974 Ambassador, 1967-1968 American, 1967-1970 Rebel, 1968-1979 AMX, 1968-1974 Javelin, 1969, Rambler, 1970-1977 Hornet, 1971-1978 Matador, 1972-1976 Gremlin, 1978-1979 Concord, 1978-1979 Pacer, Timing Cover Kit (5.0L, 5.9L & 6.6L)	17449.10
1983-1993 Models, Timing Cover Kit (2.5L), Includes Timing Cover & Rubber Oil Pan Gasket	17457.06
1993-1999 Wrangler (4.0L), 1993-2001 Cherokee (4.0L), 1993-1999 Grand Cherokee (4.0L), 1994-2002 Wrangler (2.5L), 1994-2001 Cherokee (2.5L) Timing Cover	17457.04
1993-1999 Wrangler (4.0L), 1993-2001 Cherokee (4.0L), 1993-1999 Grand Cherokee (4.0L), Timing Cover Kit, Includes Timing Cover & Rubber Oil Pan Gasket	17457.03
1994-2002 Wrangler (2.5L), 1994-2001 Cherokee (2.5L) Timing Cover Kit, Includes Timing Cover & Rubber Oil Pan Gasket	17457.02
2007-2009 Patriot (2.0 & 2.4L), Timing Cover Seal NEW	17449.09

Z19. Timing Chain Kits	Part#
1941-1945 MB, 1941-1945 Ford GPW, Timing Chain Kit (134 CI L-Head With Chain Driven Camshaft)	17452.01
1945-1949 CJ2A, 1948-1953 CJ3A, 1950-1952 M38, 1952-1971 M38A1, 1953-1967 CJ3B, 1955-1971 CJ5, 1955-1971 CJ6, Timing Chain Kit (134 CI L-Head & F-Head), L-Head With Gear Driven Camshaft	17452.02
1966-1971 Models Timing Chain Kit (225 CI)	17452.10
1972-1990 Models, Timing Chain Kit (3.8L & 4.2L)	17452.06
1972-1986 Models, Timing Chain Kit (5.0L, 5.9L & 6.6L)	17452.07
1979-1991 Models, Timing Chain Kit (5.0L & 6.6L)	17452.08
1983-2002 Models, Timing Chain Kit (2.5L AMC)	17452.03
1993-1998 Models (5.2L), 1998 (5.9L), Timing Chain Kit	17452.09

Z20. Timing Chains	Part#
1941-1945 MB, 1941-1945 Ford GPW, Timing Chain (134 CI L-Head With Chain Driven Camshaft)	17453.01
1954-1967 Truck and Station Wagon, Timing Chain (226 CI)	17453.04
1958-1964 Truck and Station Wagon, Timing Chain (226 CI)	17453.05
1962-1965 Models, Timing Chain (230 CI)	17453.07
1966-1971 Models, Timing Chain (225 CI)	17453.06
1972-1990 Models, Timing Chain (3.8L & 4.2L)	17453.08
1972-1986 Models, Timing Chain (5.0L, 5.9L & 6.6L)	17453.13
1979-1991 Models, Timing Chain (5.9L & 6.6L)	17453.12
1983-2002 Models, Timing Chain (2.5L AMC)	17453.02
1983-2002 Models, Timing Chain Tensioner (2.5L AMC)	17453.03
1987-1993 Models, Timing Chain (4.0L)	17453.09
1993-1998 Models (5.2L), 1998 (5.9L), Timing Chain	17453.14
1994-2006 Models, Timing Chain (4.0L)	17453.10
1999-2006 Models (4.7L), Timing Chain, Crankshaft Sprocket to Idler Sprocket (4.7L)	17453.16
2002-2007 Models, Timing Chain (3.7L), 2 Required	17453.17
2007-2011 Wrangler (3.8L), Timing Chain NEW	17453.19

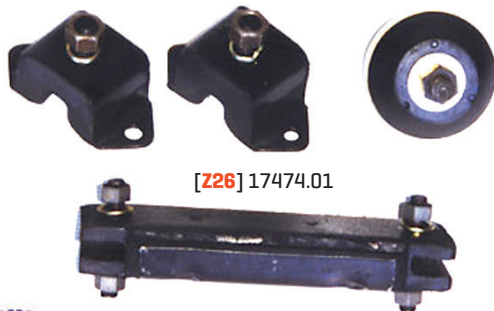
Z21. Timing Belts & Camshaft Sprockets	Part#
2002-2006 Models, Timing Belt (2.4L)	17453.18
1941-1945 MB, 1941-1945 Ford GPW, Camshaft Sprocket (134 CI L-Head With Chain Driven Camshaft)	17454.01
1945-1949 CJ2A, 1948-1953 CJ3A, 1950-1952 M38, 1952-1971 M38A1, 1953-1967 CJ3B, 1955-1971 CJ5, 1955-1971 CJ6, Timing Chain Kit (134 CI L-Head & F-Head)	17454.02
1966-1971 Models, Camshaft Sprocket (225 CI)	17454.06
1972-1990 Models, Camshaft Sprocket (3.8L & 4.2L), Steel	17454.07
1972-1990 Export Models, Camshaft Sprocket (3.8L & 4.2L), Nylon	17454.08
1972-1986 Models, Camshaft Sprocket (5.0L, 5.9L & 6.6L)	17454.11
1979-1991 Models, Camshaft Sprocket (5.9L & 6.6L)	17454.12
1983-2002 Models, Camshaft Sprocket (2.5L AMC)	17454.03
1987-1993 Models, Camshaft Sprocket (4.0L)	17454.09
1993-1998 Models (5.2L), 1998 (5.9L), Camshaft Sprocket	17454.13
1994-1998 Models, Camshaft Sprocket (4.0L)	17454.10
1999-2006 Models, Camshaft Sprocket (4.0L)	17454.14
1999-2006 Models, Camshaft Sprocket (4.7L), LH	17454.15
1999-2006 Models, Camshaft Sprocket (4.7L), RH	17454.16
1999-2009 Models (4.7L), 2002-2011 (3.7L), Camshaft Idler Sprocket	17455.14
2002-2011 Models, Camshaft Sprocket (3.7L), LH	17454.17
2002-2011 Models, Camshaft Sprocket (3.7L), RH	17454.18
2005-2006 Liberty (2.8L CRD) Timing Belt NEW	17453.50

Z22. Crankshaft Sprockets	Part#
1941-1945 MB, 1941-1945 Ford GPW, Crankshaft Sprocket (134 CI L-Head With Chain Driven Camshaft)	17455.01
1945-1949 CJ2A, 1948-1953 CJ3A, 1950-1952 M38, 1952-1971 M38A1, 1953-1967 CJ3B, 1955-1971 CJ5, 1955-1971 CJ6, Timing Chain Kit (134 CI L-Head & F-Head)	17455.02
1954-1967 Truck and Station Wagon, Timing Chain (226 CI)	17455.04
1958-1964 Truck and Station Wagon, Crankshaft Sprocket (226 CI)	17455.05
1966-1971 Models, Crankshaft Sprocket (225 CI)	17455.06
1972-1990 Models, Crankshaft Sprocket (3.8L & 4.2L)	17455.07
1972-1986 Models, Crankshaft Sprocket (5.0L, 5.9L & 6.6L)	17455.10
1979-1991 Models, Crankshaft Sprocket (5.9L & 6.6L)	17455.11
1983-2002 Models, Crankshaft Sprocket (2.5L AMC)	17455.03
1987-1993 Models, Crankshaft Sprocket (4.0L)	17455.08
1993-1998 Models (5.2L), 1998 (5.9L), Crankshaft Sprocket	17455.12
1994-2006 Models, Crankshaft Sprocket (4.0L)	17455.09
1999-2009 Models (4.9L), 2002-2011 (3.7L), Crankshaft Sprocket	17455.13
1999-2006 Models (4.7L), Timing Chain, Idler Sprocket to Camshaft Sprocket (4.7L), 2 Required	17453.15

Z23. Harmonic Balancers	Part#
1972-1991, Harmonic Balancer (5.9L)	17461.03
1972-86 Models, Harmonic Balancer (4.2L With V-Belt)	17461.01
1987-2006 Models, Harmonic Balancer (4.0L)	17461.02



[Z24] 17460.03



[Z26] 17474.01



[Z28] 17473.05



[Z27] 17472.02



[Z28] 17472.02



[Z25] 17423.03

Z24. Crank Pulleys	Part#
1941-1945 MB, 1941-1945 GPW, 1945-1949 CJ2A, 1948-1953 CJ3A, 1950-1952 M38, 1952-1971 M38A1, 1953-1967 CJ3B, 1955-1971 CJ5, 1955-1971 CJ6, 1946-1964 Truck, 1946-1964 Station Wagon, 1948-1951 Jeepster, Crankshaft Pulley [134 CI], Single Groove	17460.03
1941-1945 MB, 1941-1945 GPW, 1945-1949 CJ2A, 1948-1953 CJ3A, 1950-1952 M38, 1952-1971 M38A1, 1953-1967 CJ3B, 1955-1971 CJ5, 1955-1971 CJ6, 1946-1964 Truck, 1946-1964 Station Wagon, 1948-1951 Jeepster, Crankshaft Pulley [134 CI], Double Groove	17460.01
1972-86 Models, Crankshaft Pulley [4.2L With V-Belt, Without AC], Single Groove	17460.02

Z25. Distributor Drive Gears	Part#
1972-1991 Models, Distributor Drive Gear [5.0L, 5.9L, 6.6L], Camshaft Mounted	17423.01
1972-1991 Models, Distributor Drive Gear [5.0L, 5.9L, 6.6L], Distributor Mounted	17423.02
1972-1991 Models, Distributor Drive Gear Set [5.0L, 5.9L, 6.6L], Includes both Camshaft & Distributor Mounted Gears	17423.03

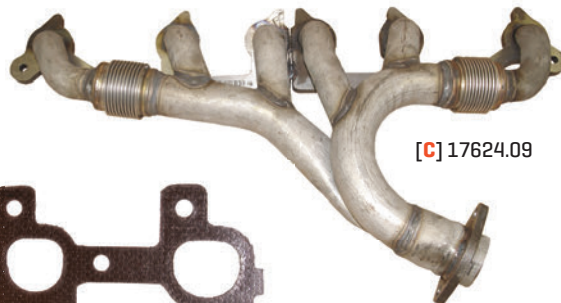
Z26. Engine Mount Kits	Part#
1972-1986 Models, Engine Mounting Kit [4.2L], Includes: 2 Engine Mounts, Transmission Mount, Transmission Stabilizer Bolt & 2 Engine Stabilizer Bushings	17474.03
1941-1971 Models, Engine Mounting Kit [134 CI], Includes: 2 Engine Mounts & Transmission Mount	17474.01
1972-1981 Models, Engine Mounting Kit [5.0L], Includes: 2 Engine Mounts & 4 Mounting Brackets	17472.05
1972-1981 Models, Engine Mounting Kit [5.0L], Includes: 2 Engine Mounts, Transmission Mount, Transmission Stabilizer Bolt & 2 Engine Stabilizer Bushings	17474.05
1987-1990 Wrangler [2.5L], Engine Mounting Kit, Includes: 2 Engine Mounts, Transmission Mount, Transmission Stabilizer Bolt & 2 Engine Stabilizer Bushings	17474.02
1987-1996 Wrangler [4.0L & 4.2L], Engine Mounting Kit, Includes: 2 Engine Mounts, Transmission Mount, Transmission Stabilizer Bolt & 2 Engine Stabilizer Bushings	17474.04

Z27. Engine Mounting Brackets	Part#
1972-1981 Models, Engine Mounting Bracket [5.0L], Lower, Left	17472.01
1972-1981 Models, Engine Mounting Bracket [5.0L], Lower, Right	17472.02
1972-1981 Models, Engine Mounting Bracket [5.0L], Upper, Left	17472.03
1972-1981 Models, Engine Mounting Bracket [5.0L], Upper, Right	17472.04

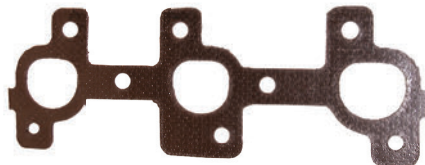
Z28. Engine Mounts	Part#
1941-1971 Models, Engine Mount [134 CI], LH or RH	17473.01
1954-1964 Models [226 CI], Engine Mount, LH or RH	17473.05
1972-1976 Models [3.8L & 4.2L], Engine Mount, LH or RH	17473.06
1972-1991 Models [5.0L, 5.9L & 6.6L], Engine Mounts, LH or RH	17473.16
1972-1991 Models [5.0L, 5.9L & 6.6L], Engine Mounts, Black Polyurethane, Pair UPGRADE	17473.18
1972-1991 Models [5.0L, 5.9L & 6.6L], Engine Mounts, Red Polyurethane, Pair UPGRADE	17473.17
1977-1986 Models [3.8L & 4.2L], Engine Mount, LH or RH	17473.07
1977-1986 Models [3.8L & 4.2L], Engine Mounts, Black Polyurethane, Pair UPGRADE	17473.09
1977-1986 Models [3.8L & 4.2L], Engine Mounts, Red Polyurethane, Pair UPGRADE	17473.08
1984-1990 Cherokee [2.5L], Engine Mount, Left	17473.03
1984-1990 Cherokee [2.5L], Engine Mount, Right	17473.02
1987-1990 Wrangler [2.5L], 1991-2000 Cherokee [2.5L], Engine Mount, LH or RH	17473.03
1987-1996 Wrangler [4.0L & 4.2L], 1987-2001 Cherokee [4.0L], Engine Mount, LH or RH	17473.10
1987-2006 Wrangler [4.0L], 1987-2001 Cherokee [4.0L], Engine Mounts, Black Polyurethane, Pair UPGRADE	17473.15
1987-2006 Wrangler [4.0L], 1987-2001 Cherokee [4.0L], Engine Mounts, Red Polyurethane, Pair UPGRADE	17473.14
1997-2002 Wrangler [2.5L], 2003-2006 Wrangler [2.4L], Engine Mount, LH or RH	17473.04
1997-2006 Wrangler [4.0L], Engine Mount, LH or RH	17473.11
1993-1998 Grand Cherokee [4.0L], Engine Mount, Left	17473.13
1993-1998 Grand Cherokee [4.0L], Engine Mount, Right	17473.12
1993-1998 Grand Cherokee [5.2L], 1998 Grand Cherokee [5.9L], Engine Mount, Left	17473.19
1993-1998 Grand Cherokee [5.2L], 1998 Grand Cherokee [5.9L], Engine Mount, Right	17473.20
1999-2004 Grand Cherokee [4.7L], Engine Mount, Left	17473.21
1999-2004 Grand Cherokee [4.7L], Engine Mount, Right	17473.22



[A] 17660.01



[C] 17624.09



[D] 17451.14



[B] 17622.01



C. Exhaust Manifold **Part#**

1941-1945 MB, 1941-1945 GPW, 1945-1949 CJ2A, 1948-1953 CJ3A, 1950-1952 M38, Exhaust Manifold (134 CI L-Head)	17624.01
1941-1945 MB, 1941-1945 GPW, 1945-1949 CJ2A, 1948-1953 CJ3A, 1950-1952 M38, Exhaust Manifold Hardware Kit (134 CI L-Head)	17625.01
1941-1945 MB, 1941-1945 GPW, 1945-1949 CJ2A, 1948-1953 CJ3A, 1950-1952 M38, Exhaust Manifold Spring (134 CI L-Head)	17625.02
1952-1971 M38A1, 1953-1967 CJ3B, 1955-1971 CJ5, 1955-1971 CJ6, Exhaust Manifold (134 CI F-Head)	17624.02
1972-1979 CJ5 (3.8L), 1972-1980 CJ5 (4.2L), 1972-1976 CJ6 (3.8L & 4.2L), 1976-1979 CJ7 (3.8L), 1976-1980 (4.2L), 1972-1980 Cherokee / Grand Wagoneer (SJ) (4.2L), Exhaust Manifold (1972-1981 CJ5 (5.0L), 1972-1976 CJ6 (5.0L), 1976-1981 (5.0L), 1972-1991 Cherokee / Grand Wagoneer (SJ) (5.0L & 5.9L), Exhaust Manifold, Left	17624.06
1972-1981 CJ5 (5.0L), 1972-1976 CJ6 (5.0L), 1976-1981 (5.0L), 1972-1991 Cherokee / Grand Wagoneer (SJ) (5.0L & 5.9L), Exhaust Manifold, Right	17624.12
1981-1983 CJ5, 1981-1986, 1981-1986 CJ8, 1987-19980 Wrangler, 1981-1990 Cherokee / Grand Wagoneer (SJ), Exhaust Manifold(4.2L)	17624.07
1984-1986 CJ7, 1984-1986 CJ8, 1987-1990 Wrangler, 1984-1990 Cherokee, Exhaust Manifold (2.5L)	17624.03
1991-2002 Wrangler, 1991-2000 Cherokee, Exhaust Manifold(2.5L)	17624.05
1987-1990 Cherokee, Exhaust Manifold (4.0L)	17624.08
1991-1998 Wrangler, 1987-1998 Cherokee, 1993-1998 Grand Cherokee, Exhaust Manifold Kit (4.0L)	17624.09
1999-2004 Grand Cherokee (4.7L), Exhaust Manifold (4.7L), Left	17624.15
1999-2004 Grand Cherokee (4.7L), Exhaust Manifold (4.7L), Right	17624.14
2000-2006 Wrangler, 2000-2001 Cherokee, 1999-2001 Grand Cherokee, Exhaust Manifold (4.0L), Front	17624.10
2000-2006 Wrangler, 2000-2001 Cherokee, 1999-2001 Grand Cherokee, Exhaust Manifold (4.0L), Rear	17624.11

A. Rugged Ridge® Exhaust Headers **Part#**

1991-1998 Wrangler, 1987-1998 Cherokee, 1993-1998 Grand Cherokee, Exhaust Header (4.0L), Black Steel	17660.01
2000-2006 Wrangler, 2000-2001 Cherokee, 1999-2001 Grand Cherokee, Exhaust Header (4.0L), Black Steel	17660.02
1991-1998 Wrangler, 1987-1998 Cherokee, 1993-1998 Grand Cherokee, Exhaust Header (4.0L), 409 Stainless Steel	17650.01
2000-2006 Wrangler, 2000-2001 Cherokee, 1999-2001 Grand Cherokee, Exhaust Header (4.0L), 409 Stainless Steel	17650.02
1991-1998 Wrangler, 1987-1998 Cherokee, 1993-1998 Grand Cherokee, Exhaust Header (4.0L), 304 Polished Stainless Steel	17650.51
2000-2006 Wrangler, 2000-2001 Cherokee, 1999-2001 Grand Cherokee, Exhaust Header (4.0L), 304 Polished Stainless Steel	17650.52
1991-1998 Wrangler, 1987-1998 Cherokee, 1993-1998 Grand Cherokee, Exhaust Header (4.0L), Ceramic Coated 409 Stainless Steel	17651.01
2000-2006 Wrangler, 2000-2001 Cherokee, 1999-2001 Grand Cherokee, Exhaust Header (4.0L), Ceramic Coated 409 Stainless Steel	17651.02

B. Exhaust Manifold Kits **Part#**

1941-1945 MB, 1941-1945 GPW, 1945-1949 CJ2A, 1948-1953 CJ3A, 1950-1952 M38, Exhaust Manifold Kit (134 CI L-Head), Includes Manifold, Hardware & Gaskets	17622.01
1952-1971 M38A1, 1953-1967 CJ3B, 1955-1971 CJ5, 1955-1971 CJ6, Exhaust Manifold Kit (134 CI F-Head), Includes Manifold & Gasket	17622.02
1972-1979 CJ5 (3.8L), 1972-1980 CJ5 (4.2L), 1972-1976 CJ6 (3.8L & 4.2L), 1976-1979 CJ7 (3.8L), 1976-1980 (4.2L), 1972-1980 Cherokee / Grand Wagoneer (SJ) (4.2L), Exhaust Manifold Kit, Includes Manifold & Gasket	17622.05
1972-1981 CJ5 (5.0L), 1972-1976 CJ6 (5.0L), 1976-1981 (5.0L), 1972-1991 Cherokee / Grand Wagoneer (SJ) (5.0L & 5.9L), Exhaust Manifold Kit, Right, Includes Manifold & Gasket	17622.10
1972-1981 CJ5 (5.0L), 1972-1976 CJ6 (5.0L), 1976-1981 (5.0L), 1972-1991 Cherokee / Grand Wagoneer (SJ) (5.0L & 5.9L), Exhaust Manifold Kit, Left, Includes Manifold & Gasket	17622.09
1981-1983 CJ5, 1981-1986, 1981-1986 CJ8, 1987-19980 Wrangler, 1981-1990 Cherokee / Grand Wagoneer (SJ), Exhaust Manifold Kit (4.2L), Includes Manifold & Gasket	17622.06
1984-1986 CJ7, 1984-1986 CJ8, 1987-1990 Wrangler, 1984-1990 Cherokee, Exhaust Manifold Kit (2.5L), Includes Manifold & Gasket	17622.03
1987-1990 Cherokee, Exhaust Manifold Kit (4.0L), Includes Manifold & Gasket	17622.07
1991-2002 Wrangler, 1991-2000 Cherokee, Exhaust Manifold Kit (2.5L), Includes Manifold & Gasket	17622.04
1991-1998 Wrangler, 1987-1998 Cherokee, 1993-1998 Grand Cherokee, Exhaust Manifold Kit (4.0L), Includes Manifold & Gasket	17622.08

D. Exhaust Manifold Gaskets **Part#**

1941-1945 MB, 1941-1945 GPW, 1945-1949 CJ2A, 1948-1953 CJ3A, 1950-1952 M38, Exhaust Manifold Gasket	17451.01
1952-1971 M38A1, 1953-1967 CJ3B, 1955-1971 CJ5, 1955-1971 CJ6, Exhaust Manifold Gasket	17451.02
1966-1971 CJ5, 1966-1971 CJ6, Exhaust Manifold Gasket (225 CI)	17450.10
1972-1979 CJ5 (3.8L), 1972-1980 CJ5 (4.2L), 1972-1976 CJ6 (3.8L & 4.2L), 1976-1979 CJ7 (3.8L), 1976-1980 (4.2L) CJ7, 1972-1980 Cherokee / Grand Wagoneer (SJ) (4.2L), Exhaust Manifold (1972-1981 CJ5 (5.0L), 1972-1976 CJ6 (5.0L), 1976-1981 (5.0L), 1972-1991 Cherokee / Grand Wagoneer (SJ) (5.0L & 5.9L), Exhaust Manifold Gasket	17451.03
1981-1983 CJ5, 1981-1986, 1981-1986 CJ8, 1987-19980 Wrangler, 1981-1990 Cherokee / Grand Wagoneer (SJ), Exhaust Manifold Gasket (4.2L)	17451.08
1984-1986 CJ7, 1984-1986 CJ8, 1987-1990 Wrangler, 1984-1990 Cherokee, Exhaust Manifold Gasket (2.5L)	17451.04
1991-1998 Wrangler, 1987-1998 Cherokee, 1993-1998 Grand Cherokee, Exhaust Manifold Gasket (4.0L)	17451.10
2000-2006 Wrangler, 2000-2001 Cherokee, 1999-2001 Grand Cherokee, Exhaust Manifold Gasket (4.0L)	17451.06
2003-2006 Wrangler, 2002-2005 Liberty, Exhaust Manifold Gasket (2.4L)	17451.11
2007-2011 Wrangler, Exhaust Manifold Gasket Set (3.8L)	17451.12
1987-1990 Cherokee, Exhaust Manifold Gasket (4.0L)	17451.16
1999-2007 Grand Cherokee, Exhaust Manifold Gasket Set (4.7L)	17451.05
2002-2007 Liberty, 2005-2007 Grand Cherokee, Exhaust Manifold Gasket (3.7L), Left	17451.14
2002-2007 Liberty, 2005-2007 Grand Cherokee, Exhaust Manifold Gasket (3.7L), Right	17451.13
2002-2007 Liberty, 2005-2007 Grand Cherokee, Exhaust Manifold Gasket Set (3.7L)	17451.15

Exhaust



E. Flange Gaskets

Part#	Part#
1945-1949 CJ2A, 1948-1953 CJ3A, 1953-1967 CJ3B, 1955-1971 CJ5, 1955-1971 CJ6, Exhaust Flange Gasket [134 CI]	17450.01
1954-1964 Truck & Station Wagon, Exhaust Flange Gasket [226 CI]	17450.06
1972-1979 CJ5 (3.8L), 1972-1980 CJ5 (4.2L), 1972-1976 CJ6 (3.8L & 4.2L), 1976-1979 CJ7 (3.8L), 1976-1986(4.2L) CJ7, 1981-1986 CJ8 (4.2L), 1987-1990 Wrangler (4.2L), 1972-1980 Cherokee / Grand Wagoneer (SJ) (4.2L), Exhaust Flange Gasket 1972-1981 CJ5 (5.0L), 1972-1976 CJ6 (5.0L), 1976-1981 (5.0L), 1972-1991 Cherokee / Grand Wagoneer (SJ) (5.0L, 5.9L & 6.6L), Exhaust Flange Gasket	17450.02
1987-1995 Wrangler, Flange gasket (2.5L, 4.0L & 4.2L), Head Pipe to Converter Gasket	17617.05
1991-2000 Wrangler, 1991-2000 Cherokee, 1993-1998 Grand Cherokee, Exhaust Flange Gasket (4.0L)	17450.04
2000-2006 Wrangler, Exhaust Flange Gasket (4.0L)	17617.06

F. Exhaust Kit

Part#	Part#
1945-1949 CJ2A, 1948-1953 CJ3A, 1953-1967 CJ3B, 1955-1971 CJ5, 1955-1971 CJ6, Exhaust Kit [134CI], Includes: Head Pipe, Intermediate Pipe, Tail Pipe & Muffler	17606.11

G. Head Pipe

Part#	Part#
1945-1949 CJ2A, 1948-1953 CJ3A, 1953-1967 CJ3B, 1955-1971 CJ5, 1955-1971 CJ6, Head Pipe [134CI]	17613.01
1976-1978 CJ7, Y-Pipe [5.0L With MT]	17613.12
1983-1986 CJ7, 1983-1986 Head Pipe [4.2L]	17613.07
1984-1986 Cherokee, Head Pipe [2.5L]	17613.03
1984-1986 Cherokee, Head Pipe [2.8L]	17613.15
1987-1992 Wrangler, Head Pipe [2.5L]	17613.02
1987-1990 Wrangler, Head Pipe [4.2L]	17613.08
1987-1992 Cherokee, Head Pipe [2.5L]	17613.04
1987-1990 Cherokee, Head Pipe [4.0L]	17613.10
1991-1992 Wrangler, Head Pipe [4.0L]	17613.09
1991-1992 Cherokee, Head Pipe [4.0L]	17613.11
1993-1995 Wrangler, Head Pipe [2.5L]	17613.19
1993-1995 Cherokee, Head Pipe [2.5L]	17613.16
1993-1995 Cherokee, Head Pipe [4.0L]	17613.17
1996-1998 Cherokee, Head Pipe [4.0L]	17613.18
1993-1995 Grand Cherokee, Y-Pipe [5.2L]	17613.13
2000 Wrangler, Y-Pipe [4.0L]	17613.21
2000 Wrangler, Y-Pipe [4.0L], With Catalytic Converter	17613.24
2001-2003 Wrangler, Y-Pipe [4.0L], With Front Catalytic Converters	17613.22
2004-2006 Wrangler, Y-Pipe [4.0L], With Front Catalytic Converters	17613.23
2002-2003 Grand Cherokee (before 05/02/2003), 4.7L, Head Pipe w/ Converter NEW	17613.25
2002-2003 Grand Cherokee (after 05/02/2003), 4.7L, Head Pipe w/ Converter NEW	17613.26

H. Intermediate Pipe

Part#	Part#
1945-1949 CJ2A, 1948-1953 CJ3A, 1953-1967 CJ3B, 1955-1971 CJ5, 1955-1971 CJ6, Intermediate Pipe [134CI]	17608.01
1981 CJ8, Intermediate Pipe [2.5L GM, 4.2L & 5.0L]	17608.02
2000-2001 Cherokee, Intermediate Pipe [4.0L]	17608.03
2007-2008 Wrangler 4-Door, 3.8L, Intermediate Pipe NEW	17608.05
2005-2008 Grand Cherokee & 2006-2007 Commander, 3.7L/4.7L/5.7L, Intermediate Pipe NEW	17608.06

[J] 17603.01

[J] 17604.06

I. Catalytic Converter Kits

Part#	Part#
1975-1978 CJ5, 1975-1978 CJ7, Catalytic Converter (3.8L, 4.2L & 5.0L) +	17601.04
1981-1983 CJ5, 1981-1986 CJ7, 1981-1986 CJ8, Catalytic Converter [4.2L]*	17601.01
1984-1986 CJ7, 1984-1986 CJ8, Catalytic Converter [2.5L], With Air Tube Hole *	17601.01
1987-1992 Wrangler, Catalytic Converter [2.5L]	17601.02
1987-1990 Wrangler [4.2L], 1984-1985 Cherokee [2.5L], Catalytic Converter, With Air Tube Hole *	17601.05
1991-1992 Wrangler, Catalytic Converter [4.0L] +	17601.02
1993-1995 Wrangler, Catalytic Converter [2.5L] +	17601.03
1993-1995 Wrangler [4.0L] 1993-1995 Cherokee [2.5L & 4.0L], Catalytic Converter +	17601.03

J. Catalytic Converters

Part#	Part#
1975-1978 CJ5, 1975-1978 CJ7, Catalytic Converter (3.8L, 4.2L & 5.0L) +	17604.05
1984-1986 CJ7 [2.5L], 1984-1986 CJ8 [2.5L], 1981Catalytic Converter, With Air Tube *	17604.01
1984-1986 CJ7, 1984-1986 CJ8, 1987-1990 Wrangler, Air Tube Conversion Kit, [For 17601.01, 17601.05, 17604.01 & 17604.02] Catalytic Converters] +	17603.01
1987-1992 Wrangler, Catalytic Converter [2.5L] +	17604.03
1987-1990 Wrangler [4.2L], 1984-1985 Cherokee [2.5L], 1981-1986 Cherokee/ Grand Cherokee (SJ) [4.2L]Catalytic Converter, With Air Tube Hole *	17604.01
1987-1990 Wrangler [4.2L], 1984-1985 Cherokee [2.5L], Catalytic Converter, With Air Tube Hole *	17604.02
1991-1992 Wrangler, 1991-1992 CherpLee, Catalytic Converter [4.0L]	17604.03
1993-1995 Wrangler, Catalytic Converter [2.5L] +	17604.04
1993-1995 Wrangler [4.0L] 1993-1995 Cherokee [2.5L & 4.0L], 1993-1995 Grand Cherokee [4.0L], Catalytic Converter +	17604.04
1997-2000 Wrangler, Catalytic Converter [2.5L & 4.0L] +	17604.10
2000 Wrangler, Head Pipe [4.0L], With Catalytic Converter +	17613.24
2001-2003 Wrangler, Y-Pipe [4.0L], With Front Catalytic Converters +	17613.22
2002-2004 Wrangler, Catalytic Converter [4.0L] +	17604.15
2004-2006 Wrangler, Y-Pipe [4.0L], With Front Catalytic Converters +	17613.23
1996-2000 Cherokee [2.5L], 1996-2001 Cherokee [4.0L] 1996-1998 Grand Cherokee [4.0L, 5.2L & 5.9L], Catalytic Converter +	17604.08
1994-1995 Grand Cherokee, Catalytic Converter [5.2L] +	17604.07
1996-1998 Grand Cherokee [5.2L], 1998 Grand Cherokee [5.9L] Catalytic Converter +	17604.08
2003-2004 Grand Cherokee (After 05/02/2003), 4.7L, Catalytic Converter NEW	17604.16
2002-2004 Grand Cherokee, 4.0L & 4.7L, Catalytic Converter NEW	17604.17
1999-2001 Grand Cherokee, 4.0L, Catalytic Converter NEW	17604.18

* Requires Separate Air Tube Conversion Kit No. 17603.01, EPA Certified in 49 States + EPA Certified in 49 States ♦ After 1-24-00, EPA Certified in 49 States

**K. Mufflers**

Part#	
17609.01	1941-1945 MB, 1941-1945 Ford GPW, Muffler [134 CI], Oval
17609.02	1945-1949 CJ2A, 1948-1953 CJ3A, 1953-1967 CJ3B, 1955-1971 CJ5, 1955-1971 CJ6, Muffler [134 CI], Round
17609.10	1972-1978 CJ5 (3.8L & 4.2L), 1972-1975 CJ5 (5.0L) 1972-1975 CJ6 (3.8L, 4.2L & 5.0L), 1976-1978 CJ7 (3.8L, & 4.2L), Muffler, For Models Without Catalytic Converters
17609.13	1979-1987 J10 / J20 Truck, Muffler [5.0L & 5.9L]
17609.04	1983 CJ5, 1983-1986 CJ7, 1983-1986 CJ8, Muffler [2.5L AMC, 3.8L & 4.2L], For Models With Catalytic Converters
17609.05	1987-1992 Wrangler, Muffler [2.5L]
17609.16	1987-1990 Wrangler, Muffler [4.2L]
17609.05	1991-1992 Wrangler, Muffler [4.0L]
17609.06	1993-1995 Wrangler, Muffler [2.5L]
17609.17	1997-2002 Wrangler, Muffler [2.5L]
17609.24	2000-2006 Wrangler, Muffler [After 1-24-00] *
17609.31	2007-2008 Wrangler, 3.8L, Muffler NEW
17609.14	1981-1991 Cherokee / Grand Cherokee (Sj), Muffler [5.9L]
17609.12	1984-1986 Cherokee, Muffler [2.8L]
17609.07	1986-1989 Cherokee, Muffler [2.5L]
17609.11	1987-1992 Cherokee, Muffler [4.0L]
17609.08	1993-1995 Cherokee, Muffler [2.5L & 4.0L]
17609.19	1996-1998 Cherokee, Muffler [4.0L]
17609.15	1993-1995 Grand Cherokee, Muffler [5.2L]
17609.20	1996-1998 Grand Cherokee, Muffler [4.0L]
17609.27	1999-2001 Grand Cherokee, 4.0L, Muffler NEW
17609.28	2002-2004 Grand Cherokee, 4.0L, 4.7L, Muffler NEW
17609.23	2005-2009 Grand Cherokee, Muffler [3.7L & 4.7L]
17609.25	2002-2007 Liberty, Muffler [2.7L, 2.8L Diesel & 3.7L]
17609.29	2008-2009 Liberty, 3.7L, Muffler NEW
17609.30	2007-2010 Compass & Patriot, Muffler NEW

L. Tailpipes

Part#	
17615.01	1945-1949 CJ2A, 1948-1953 CJ3A, 1953-1967 CJ3B, 1955-1971 CJ5, 1955-1971 CJ6, Tailpipe [134 CI]
17615.07	1966-1971 CJ5, 1966-1971 CJ6, Tailpipe [225 CI]
17615.02	1976-1979 CJ5 (3.8L), 1976-1981 CJ5 (4.2L & 5.0L), 1980-1983 CJ5 (2.5L GM), 1976-1979 CJ7 (3.8L), 1976-1981 CJ (4.2L & 5.0L), 1980-1983 CJ7 (2.5L GM), 1981-1983 CJ8 (2.5L GM), 1981 CJ8 (4.2L & 5.0L), Muffler, For Models With Catalytic Converters
17615.03	1983 CJ5, 1983-1986 CJ7, 1983-1986 CJ8, Tailpipe [2.5L AMC, 3.8L & 4.2L], For Models With Catalytic Converters
17615.04	1987-1995 Wrangler (2.5L, 4.0L & 4.2L), Tailpipe
17615.17	1997-2000 Wrangler, Tailpipe [2.5L & 4.0L]
17615.22	2000-2006 Wrangler, Tailpipe [After 1-24-00] *
17615.12	1984-1985 Cherokee [2.5L], 1984-1986 Cherokee [2.8L], Tailpipe
17615.05	1986-1992 Cherokee [2.5L], 1987-1992 Cherokee [4.0L] Tailpipe
17615.06	1993-1996 Cherokee, Tailpipe [2.5L & 4.0L]
17615.13	1996-1998 Cherokee [4.0L], 1997-2000 Cherokee [2.5L], Tailpipe
17615.10	1993-1995 Grand Cherokee, Tailpipe [4.0L]
17615.11	1993-1995 Grand Cherokee, Tailpipe [5.2L]
17615.15	1996-1998 Grand Cherokee [5.2L], 1998 Grand Cherokee [5.9L], Tailpipe
17615.16	1999-2004 Grand Cherokee, Tailpipe [4.7L]
17615.21	2005-2009 Grand Cherokee, Tailpipe [3.7L & 4.7L]
17615.23	2002-2007 Liberty, Tailpipe [2.7L, 2.8L Diesel & 3.7L]
17615.24	2007-2012 Compass 2.0L, Patriot 2.0 & 2.4L, Tailpipe Spout NEW

**M. Muffler & Tailpipe Kits**

Part#	
17606.10	1976-1981 CJ5, 1979-1981 CJ7 Muffler & Tailpipe Kit [5.0L]
17606.06	1981 CJ8, Muffler & Tailpipe Kit [2.5L GM, 4.2L & 5.0L]
17606.07	1982-1983 CJ5, 1982-1986 CJ7, Muffler & Tailpipe Kit [3.8L & 4.2L], For Models With Catalytic Converters
17606.06	1983-1986 CJ8, Muffler & Tailpipe Kit [2.5L GM, 2.5L AMC & 4.2L]
17606.01	1987-1992 Wrangler, Muffler & Tailpipe Kit [2.5L]
17606.09	1987-1990 Wrangler, Muffler & Tailpipe Kit [4.2L]
17606.01	1991-1992 Wrangler, Muffler & Tailpipe Kit [4.0L]
17606.02	1993-1995 Wrangler, Muffler & Tailpipe Kit [2.5L]
17606.02	1993-1995 Wrangler, Muffler & Tailpipe Kit [4.0L]
17611.09	2000-2006 Wrangler, Muffler & Tailpipe [After 1-24-00] *
17611.10	2002-2007 Liberty, Muffler & Tailpipe [2.7L, 2.8L Diesel & 3.7L]
17611.08	2005-2009 Grand Cherokee, Muffler & Tailpipe [3.7L & 4.7L]

N. Exhaust Hangers

Part#	
17620.01	Universal, Exhaust Hanger, Swivel Style [9.5" Long]
17620.02	Universal, Exhaust Hanger
17620.03	Universal, Exhaust Bracket
17620.04	Universal, Exhaust Insulator Bracket With Rubber Insulator
17620.05	Universal, Exhaust Insulator, Oval Rubber

O. Exhaust Clamps

Part#	
17620.06	Universal, Exhaust Clamp [2"]
17620.09	Universal, Exhaust Clamp [2"], Heavy Duty UPGRADE
17620.07	Universal, Exhaust Clamp [2-1/8"]
17620.08	Universal, Exhaust Clamp [2-1/4"]
17620.10	Universal, Exhaust Clamp [2-1/4"], Heavy Duty UPGRADE
17620.13	Universal, Exhaust Clamp [2-1/4"], Stainless Steel UPGRADE
17620.11	Universal, Exhaust Clamp [2-1/2"], Heavy Duty UPGRADE
17620.12	Universal, Exhaust Clamp [2-1/2"], Stainless Steel UPGRADE
17620.14	Universal, Exhaust Clamp [2.75"], Band Clamp

**Rugged
Ridge**



**FOR ALL YOUR JEEP[®]
ACCESSORIES**



Fuel



[A] 17701.02



[A] 17702.06

[H] 17737.09



[C] 17705.08



[E] 17733.01



[B] 17704.04



[G] 17736.01

A. Carburetors

Part#	Part#
17701.01	1941-1945 MB, 1941-1945 GPW, 1945-1949 CJ2A, 1948-1953 CJ3A, 1950-1952 M38, Solex 1-Barrel Carburetor (For 134 CI With L-Head)
17702.01	1945-1949 CJ2A, 1948-1953 CJ3A, 1953-1967 CJ3B, 1955-1971 CJ5, 1955-1971 CJ6, Carter 1-Barrel Carburetor YF (134 CI), 32/36mm DGEV Webber Design UPGRADE
17701.02	1952-1971 M38A1, 1953-1967 CJ3B, 1955-1971 CJ5, 1955-1971 CJ6, Solex 1-Barrel Carburetor (For 134 CI With F-Head)
17702.05	1972-1978 CJ5 (3.8L & 4.2L), 1972-1975 CJ6 (3.8L & 4.2L), 1976-1978 CJ7 (3.8L & 4.2L), Carter 1-Barrel Carburetor (YF), 32/36mm DGEV Webber Design UPGRADE
17702.06	1972-1983 CJ5 (4.2L), 1976-1986 CJ7 (3.8L & 4.2L), 1981-1986 CJ8 (4.2L), 1987-1990 Wrangler (4.2L), Carter 2-Barrel Carburetor (YF), 34mm DGEV Webber Design (300 CFM) UPGRADE
17702.08	1972-1983 CJ5 (4.2L), 1976-1986 CJ7 (3.8L & 4.2L), 1981-1986 CJ8 (4.2L), 1987-1990 Wrangler (4.2L), Carter 2-Barrel Carburetor YF, 34mm DGEV EMPI Design (300 CFM) UPGRADE
17702.07	1972-1983 CJ5 (4.2L), 1976-1986 CJ7 (3.8L & 4.2L), 1981-1986 CJ8 (4.2L), 1987-1990 Wrangler (4.2L), Carter 2-Barrel Carburetor (YF), 38mm DGEV Webber Design (400 CFM) UPGRADE
17702.03	1980-1983 CJ5 (2.5L GM), 1980-1983 CJ7 (2.5L GM), 1981-1983 CJ8 (2.5L GM), 1984-1986 Cherokee (2.8L), Rochester 2-Barrel Carburetor, 32/36mm DGEV Webber Design UPGRADE
17702.02	1980-1983 CJ5 (2.5L GM), 1980-1983 CJ7 (2.5L GM), 1981-1983 CJ8 (2.5L GM), 1984-1986 Cherokee (2.8L), Rochester 2-Barrel Carburetor [E-2SE], 38mm Webber Design UPGRADE
17702.04	1983 CJ5 (2.5L AMC), 1983-1986 CJ7 (2.5L AMC), 1983-1986 CJ8 (2.5L AMC), 1987-1988 Wrangler (2.5L), Carter 1-Barrel Carburetor (YF), 32/36mm DGEV Webber Design UPGRADE

B. Carburetor Components

Part#	Part#
17704.03	Carburetor Base Plate Adapter, For 17702.06 Carburetor
17704.02	Carburetor Air Filter Adapter Base, for Webber Style Air Cleaner, Fits 17702.01, 17702.02, 17702.03, 17702.04, 17702.05, 17702.06 & 17702.07 Carburetors
17704.01	Carburetor Air Filter Adapter, Converts 32-36 DGEV Base to 5-1/8" Base, Fits 17702.01, 17702.02, 17702.03, 17702.04, 17702.05, 17702.06 & 17702.07 Carburetors
17704.04	Air Filter Assembly, for Webber Style Carburetors, Fits 17702.01, 17702.02, 17702.03, 17702.04, 17702.05, 17702.06 & 17702.07
17704.05	Air Filter, for Webber Style Carburetors, Fits 17702.01, 17702.02, 17702.03, 17702.04, 17702.05, 17702.06 & 17702.07

C. Carburetor Rebuild & Service Kits

Part#	Part#
17705.03	1941-1945 MB, 1941-1945 GPW, 1945-1949 CJ2A, 1948-1953 CJ3A, Carburetor Service Kit, (134 CI With L-Head), For Carter 1-Barrel
17705.01	1941-1945 MB, 1941-1945 GPW, 1945-1949 CJ2A, 1948-1953 CJ3A, 1950-1952 M38, Carburetor Service Kit, (134 CI With L-Head), For Solex 1-Barrel PN 17701.01
17705.04	1941-1945 MB, 1941-1945 GPW, 1945-1949 CJ2A, 1948-1953 CJ3A, 1950-1952 M38, Carburetor Rebuild Kit, (134 CI With L-Head), For Carter 1-Barrel
17706.01	1941-1945 MB, 1941-1945 GPW, 1945-1949 CJ2A, 1948-1953 CJ3A, 1950-1952 M38, Carburetor Base Gasket, (134 CI With L-Head), For Carter 1-Barrel
17705.07	1950-1952 M38, Carburetor Rebuild Kit, (134 CI With L-Head), For Carter 1-Barrel
17705.08	1952-1971 M38A1, Carburetor Service Kit, (134 CI With F-Head), For Carter 1-Barrel
17705.02	1952-1971 M38A1, 1953-1967 CJ3B, 1955-1971 CJ5, 1955-1971 CJ6, Carburetor Service Kit, (134 CI With F-Head), For Solex 1-Barrel PN 17701.01
17705.05	1953-1967 CJ3B, 1955-1971 CJ5, 1955-1971 CJ6, Carburetor Service Kit, (134 CI With F-Head), For Carter 1-Barrel
17705.06	1953-1967 CJ3B, 1955-1971 CJ5, 1955-1971 CJ6, Carburetor Rebuild Kit, (134 CI With F-Head), For Carter 1-Barrel
17705.09	1975-1980 CJ5 (3.8L & 4.2L), 1975 CJ6 (3.8L & 4.2L), 1976-1980 CJ7 (3.8L & 4.2L), Carburetor Service Kit, For Carter 1-Barrel
17705.10	1975-1980 CJ5 (3.8L & 4.2L), 1975 CJ6 (3.8L & 4.2L), 1976-1980 CJ7 (3.8L & 4.2L), Carburetor Service Kit, For Carter 2-Barrel
17703.02	Carburetor Gasket Service Kit for 17702.07
17703.01	Carburetor Gasket Service Kit for 17702.04, 17702.05 & 17702.06

D. Accelerator Cables

Part#	Part#
17716.04	1972-1975 CJ5 (3.8L & 4.2L), 1972-1975 CJ6 (3.8L & 4.2L), Accelerator Cable (27.75")
17716.11	1972-1975 CJ5 (5.0L), 1972-1975 CJ6 (5.0L), Accelerator Cable (35.38")
17716.05	1976-1978 CJ5 (3.8L & 4.2L), 1976-1978 CJ7 (3.8L & 4.2L), Accelerator Cable (30.5")
17716.12	1976 CJ5 (5.0L), 1976 CJ7 (5.0L), Accelerator Cable (21.25")
17737.20	1976-1981 CJ5, 1976-1986 CJ7, 1981-1986 CJ8, 1987-1995 Wrangler, Accelerator Cable Bracket, For Fiberglass Bodies
17716.13	1977-1981 CJ5 (5.0L), 1977-1981 CJ7 (5.0L), 1981 CJ8, Accelerator Cable (18.75")
17716.10	1977-1980 Cherokee (4.2L), Accelerator Cable
17716.06	1979 CJ5 (3.8L), 1979-1980 CJ5 (4.2L), 1979 CJ7 (3.8L), 1979-1980 CJ7 (4.2L), 1981 CJ5 & CJ7 (Export Models), Accelerator Cable
17716.01	1980-1983 CJ5 (2.5L GM), 1980-1983 CJ7 (2.5L GM), 1981-1983 CJ8 (2.5L GM), 1984-1986 Cherokee (2.8L), Accelerator Cable
17716.07	1981-1986 CJ5 (4.2L), 1981-1986 CJ7 (4.2L), 1981-1986 CJ8 (4.2L), Accelerator Cable (24.25")
17716.08	1984-1986 Cherokee (2.8L), Accelerator Cable
17716.02	1987-1990 Wrangler (2.5L With Carburetor), Accelerator Cable
17716.03	1987-1990 Wrangler (2.5L With EFI), Accelerator Cable
17716.14	1987-1991 Grand Wagoneer (5.9L & 6.1L), Accelerator Cable
17716.09	1987-1990 Cherokee (4.0L), Accelerator Cable
17716.15	1991-1995 Cherokee (2.5L & 4.0L), Accelerator Cable

E. Accelerator Pedal Seal

Part#	Part#
17733.01	1941-1945 MB, 1941-1945 GPW, 1945-1949 CJ2A, 1948-1953 CJ3A, 1950-1952 M38, Accelerator Pedal
17734.01	1941-1945 MB, 1941-1945 GPW, 1945-1949 CJ2A, 1948-1953 CJ3A, 1950-1952 M38, 1952-1971 M38A1, 1953-1967 CJ3B, 1955-1971 CJ5, 1955-1971 CJ6, Accelerator Pedal Dust Boot
17733.02	1952-1971 M38A1, 1953-1967 CJ3B, 1955-1971 CJ5, 1955-1971 CJ6, Accelerator Pedal
16753.05	1976-1983 CJ5, 1976-1986 CJ7, 1981-1986 CJ8, 1987-2006 Wrangler, 1984-2001 Cherokee, 1993-2004 Grand Cherokee, Accelerator Pedal

F. Throttle Cables

Part#	Part#
17735.02	1941-1945 MB, 1941-1945 GPW, 1945-1949 CJ2A, 1948-1953 CJ3A, 1950-1952 M38, 1952-1971 M38A1, 1953-1967 CJ3B, 1955-1966 CJ5, 1955-1966 CJ6, Throttle Cable, With Olive Drab Knob
17735.01	1941-1945 MB, 1941-1945 GPW, 1945-1949 CJ2A, 1948-1953 CJ3A, 1950-1952 M38, 1952-1971 M38A1, 1953-1967 CJ3B, 1955-1966 CJ5, 1955-1966 CJ6, Throttle Cable, With Black Knob

G. Choke Cables

Part#	Part#
17736.02	1941-1945 MB, 1941-1945 GPW, 1945-1949 CJ2A, 1948-1953 CJ3A, 1950-1952 M38, 1952-1971 M38A1, 1953-1967 CJ3B, 1955-1971 CJ5, 1955-1971 CJ6, Choke Cable, With Olive Drab Knob
17736.01	1941-1945 MB, 1941-1945 GPW, 1945-1949 CJ2A, 1948-1953 CJ3A, 1950-1952 M38, 1952-1971 M38A1, 1953-1967 CJ3B, 1955-1971 CJ5, 1955-1971 CJ6, Choke Cable, With Black Knob

H. Air Cleaner Assemblies

Part#	Part#
17737.09	1941-1945 MB, 1941-1945 GPW, 1945-1949 CJ2A, 1948-1953 CJ3A, 1950-1952 M38, Air Cleaner Assembly (134 CI L-Head)
17737.13	1941-1945 MB, 1941-1945 GPW, 1945-1949 CJ2A, 1948-1953 CJ3A, 1950-1952 M38, Air Cleaner Assembly Kit (134 CI L-Head), Includes Firewall Brackets

I. Air Cleaner Brackets

Part#	Description
17737.12	1941-1945 MB, 1941-1945 GPW, 1945-1949 CJ2A, 1948-1953 CJ3A, 1950-1952 M38, Air Cleaner to Firewall Bracket [134 CI L-Head], Left
17737.11	1941-1945 MB, 1941-1945 GPW, 1945-1949 CJ2A, 1948-1953 CJ3A, 1950-1952 M38, Air Cleaner to Firewall Bracket [134 CI L-Head], Right

J. Air Cleaner Horns

Part#	Description
12021.58	1941-1945 MB, 1941-1945 GPW, 1945-1949 CJ2A, 1948-1953 CJ3A, 1950-1952 M38, Air Cleaner Horn [134 CI L-Head]
12025.29	1952-1971 M38A1, 1953-1967 CJ3B, 1955-1971 CJ5, 1955-1971 CJ6, Air Cleaner Horn, [134 CI With F-Head]

K. Air Cleaner Hoses

Part#	Description
17737.01	1941-1945 MB, 1941-1945 GPW, 1945-1949 CJ2A, 1948-1953 CJ3A, 1950-1952 M38, Air Horn to Crossover Tube Hose [134 CI L-Head] *
17737.02	1941-1945 MB, 1941-1945 GPW, 1945-1949 CJ2A, 1948-1953 CJ3A, 1950-1952 M38, Air Horn to Carburetor Hose [134 CI L-Head] *
12021.59	1941-1945 MB, 1941-1945 GPW, Crossover Tube [134 CI L-Head], Includes Bracket
12025.30	1945-1949 CJ2A, 1948-1953 CJ3A, 1950-1952 M38, Crossover Tube [134 CI L-Head], Includes Bracket *
17737.06	1953-1967 CJ3B, 1955-1971 CJ5, 1955-1971 CJ6, Air Cleaner Hose, [134 CI With F-Head]

L. Air Cleaner Wing Nuts

Part#	Description
17737.10	1941-1945 MB, 1941-1945 GPW, 1945-1949 CJ2A, 1948-1953 CJ3A, 1950-1952 M38, Air Cleaner Wing Nut [134 CI L-Head]

M. Air Filters

Part#	Description
17719.01	1972-1979 Models [3.8L], 1972-1990 [4.2L], 1981-1983 [2.5L GM], 1983-1986 [2.5L AMC], Air Filter
17719.03	1972-1981 Models [5.0L], 1972-1982 [5.9L], Air Filter
17719.02	1987-1995 Wrangler [2.5L With EFI], 1991-1995 Wrangler [4.0L], Air Filter
17719.04	1997-2002 Wrangler [2.5L], 1997-2006 Wrangler [4.0L], Air Filter
17719.09	2007-2011 Wrangler [3.8L], Air Filter
17719.05	1987-2000 Cherokee [2.5L], 1987-2001 Cherokee [4.0L], Air Filter
17719.06	1993-1998 Grand Cherokee [4.0L, 5.2L, 5.9L], 1994-2004 Grand Cherokee [4.0L & 4.7L], Air filter
17719.08	2002-2005 Liberty [2.4L], 2003-2006 Wrangler [2.4L], Air Filter
17719.07	2002-2007 Liberty [3.7L], 2005-2006 Liberty [2.8L Diesel], 2005-2010 Grand Cherokee [3.7L, 4.7L & 5.7L], 2006-2010 Commander [3.7L, 4.7L & 5.7L], Air Filter
17719.10	2008-2010 Liberty [2.8L Diesel & 3.7L], Air Filter

N. Fuel Filters

Part#	Description
17718.01	1955-1983 CJ5, 1955-1975 CJ6, 1976-1986 CJ7, 1981-1986 CJ8, Fuel Filter Kit [Inline], Includes: Filter, Clamp & Hoses +
17728.01	1955-1983 CJ5, 1955-1975 CJ6, 1976-1986 CJ7, 1981-1986 CJ8, Fuel Filter Kit [Inline]
17728.02	1972-1983 CJ5 [3.8L & 4.2L], 1972-1975 CJ6 [3.8L & 4.2L], 1976-1986 CJ7 [3.8L & 4.2L], 1981-1986 CJ8 [4.2L], 1987-1990 Wrangler [4.2L], 1972-1990 Cherokee / Grand Wagoneer [S.J] [4.2L], Fuel Filter Kit [Inline With Dual Outlet]
17718.03	1987-1995 Wrangler [2.5L], 1984-1995 Cherokee [2.5L, 2.8L & 4.0L], Fuel Filter
17718.04	1993-1996 Grand Cherokee [4.0L & 5.2L], Fuel Filter
17718.05	1997-2004 Wrangler [2.4L, 2.5L & 4.0L], 1996-2001 Cherokee [2.5L & 4.0L], Fuel Filter
17718.05	1997-1998 Grand Cherokee [4.0L, 5.2L & 5.9L], Fuel Filter
17718.06	1999-2004 Grand Cherokee [4.0L, & 4.7L], Fuel Filter, Mounted on Pressure Regulator
17718.07	2005-2009 Grand Cherokee [3.0L Diesel], Fuel Filter

[N] 17718.07



[N] 17718.05



[O] 17712.04



Fuel

[Q] 17404.03



[L] 17737.10



[P] 17715.01



[I] 17737.11



[M] 17719.03



[P] 17715.02

O. EGR Valves

Part#	Description
17712.01	1981-1983 CJ5, 1981-1986 CJ7, 1981-1986 CJ8, 1981-1986 Cherokee / Grand Wagoneer [S.J], EGR Valve [4.2L]
17712.02	1987-1990 Wrangler [2.5L & 4.2L], 1980-1990 Cherokee [2.5L & 4.0L], EGR Valve
17712.03	1993-1998 Grand Cherokee [4.0L, 5.2L & 5.9L], EGR Valve
17712.04	2005-2007 Grand Cherokee [4.7L & 5.7L], EGR Valve

P. Idle Air Control Valves

Part#	Description
17715.06	1987-1990 Cherokee [4.0L], Idle Air Control
17715.01	1991-1995 Wrangler [2.5L], 1991-1995 Cherokee [2.5L], Idle Air Control
17715.03	1991-1995 Cherokee [4.0L], 1994-1995 Wrangler [4.0L], 1993-1997 Grand Cherokee [4.0L], Idle Air Control Valve
17715.04	1993-1998 Grand Cherokee [5.2L], 1998 Grand Cherokee [5.9L], Idle Air Control Valve
17715.02	1997-2002 Wrangler [2.5L], 1997-2004 Wrangler [4.0L], 1998-2000 Cherokee [2.5L], 1998-2001 Cherokee [4.0L], 1998-2004 Grand Cherokee [4.0L], Idle Air Control Valve
17715.07	2004-2005 Liberty [2.4L], 2005-2006 Wrangler [2.4L], Idle Air Control Valve
17715.08	2004-2006 Wrangler [4.0L], 2004-2007 Liberty [3.7L], Idle Air Control Valve

Q. PCV Valves

Part#	Description
17404.06	1966-1971 Models, PCV Valve [225 CI]
17404.03	1972-1981 Models [5.0L], 1972-1982 [5.9L], PCV Valve
17404.01	1980-1983 CJ5 [2.5L GM & 2.5L AMC], 1980-1986 CJ7 [2.5L GM & 2.5L AMC], 1981-1986 CJ8 [2.5L GM & 2.5L AMC], PCV Valve
17404.02	1983 CJ5, 1983-1986 CJ7, 1983-1986 CJ8, PCV Valve [2.5L AMC]
17404.11	2005-2006 Wrangler [2.4L], 2004-2005 Liberty [2.4L], PCV Valve
17404.08	1991-2001 Grand Cherokee [4.7L], PCV Valve
17404.04	1993 Grand Cherokee [5.2L], PCV Valve
17404.05	1994-1998 Grand Cherokee [2.5L], 1998 Grand Cherokee [5.9L], PCV Valve
17404.12	2005 Grand Cherokee [4.7L], 2005-2006 Grand Cherokee [5.7L], PCV Valve
17404.09	2002-2003 Liberty [2.4L], 2003-2004 Wrangler [2.4L], PCV Valve
17404.07	2002-2007 Liberty [3.7L], 2002-2004 Grand Cherokee [4.7L Diesel], 2005-2007 Grand Cherokee [3.7L], PCV Valve

Fuel



[R] 17714.06



[S] 17711.02



[V] 17709.12



[U] 17232.50



[T] 17732.03

[W] 17709.26

R. Fuel Injectors	Part#
1987-1990 Cherokee [4.0L], Fuel Injector	17714.03
1991-1995 Wrangler [2.5L], 1991-1995 Cherokee [2.5L], Fuel Injector	17714.01
1991-1993 Cherokee [4.0L], Fuel Injector	17714.04
1993-1995 Grand Cherokee [5.2L], Fuel Injector	17714.06
1996-2002 Wrangler [2.5L], 1996-1998 Wrangler [4.0L], 1996-2000 Cherokee [2.5L], 1996-1998 Cherokee [4.0L], 1996-1998 Grand Cherokee [4.0L & 5.2L], Fuel Injector	17714.02
1999-2001 Cherokee [4.0L], 1999-2004 Grand Cherokee [4.0L] Fuel Injector	17714.07
1999-2000 Grand Cherokee [4.7L], Fuel Injector	17714.08
2001-2004 Grand Cherokee [4.7L], Fuel Injector	17714.09
2002-2003 Liberty [3.7L], Fuel Injector	17714.10

S. Fuel Pressure Regulators	Part#
1987-1990 Cherokee [4.0L], Fuel Pressure Regulator	17711.02
1991-1995 Wrangler [2.5L & 4.0L], 1991-1996 Cherokee [2.5L & 4.0L], 1993-1996 Grand Cherokee [4.0L & 5.2L], Fuel Pressure Regulator	17711.01

T. Fuel Line Sets	Part#
1941-1944 MB, 1941-1944 Ford GPW, Fuel Line Set	17732.01
1945 MB, 1945 Ford GPW, Fuel Line Set	17732.02
1945-1949 CJ2A, Fuel Line Set	17732.06
1950-1952 M38, Fuel Line Set	17732.03
1952-1971 M38A1, Fuel Line Set	17732.04
1955-1966 CJ5 [134 CI], Fuel Line Set	17732.05

U. Fuel Lines	Part#
1941-1945 MB, 1941-1945 Ford GPW, 1945-1949 CJ2A, 1948-1953 CJ3A, 1953-1967 CJ3B, 1955-1969 CJ5, 1955-1969 CJ6, Fuel Hose [7"], To Fuel Pump NEW	17232.50
1976-1979 CJ5 [3.8L], 1976-1983 CJ5 [4.2L], Fuel Line, Pump to Carburetor	17732.22
1976-1979 CJ5 [3.8L], 1976-1983 CJ5 [4.2L], 1976-1981 CJ5 [5.0L], Fuel Line, Return Line	17732.14
1976-1979 CJ5 [3.8L], 1976-1983 CJ5 [4.2L], 1976-1981 CJ5 [5.0L], Fuel Line, Vapor Line	17732.17
1976-1979 CJ7 [3.8L], 1976-1983 CJ7 [4.2L], Fuel Line, Return Line	17732.13
1976-1979 CJ7 [3.8L], 1976-1981 CJ7 [4.2L], Fuel Line, Vapor Line	17732.19
1976-1979 CJ7 [3.8L], 1976-1981 CJ7 [4.2L], Fuel Line, Tank to Pump	17732.08
1976-1981 CJ7 [5.0L], Fuel Line, Pump to Carburetor	17732.26
1976-1981 CJ5 [5.0L], Fuel Line, Tank to Pump	17732.12
1976-1981 CJ7 [5.0L], Fuel Line, Tank to Pump	17732.11
1976-1981 CJ7 [5.0L], Fuel Line, Vapor Line	17732.16
1982-1986 CJ7 [4.2L], Fuel Line, Return Line	17732.23
1982-1986 CJ7 [4.2L], Fuel Line, Tank to Pump	17732.10
1982-1986 CJ7 [4.2L], Fuel Line, Vapor Return	17732.18
Universal Fuel Line, 25' Coil, 13/16" X .028", With 16 Fittings	16737.80
Universal Fuel Line, 25' Coil, 1/4" X .028", With 14 Fittings	16737.81
Universal Fuel Line, 25' Coil, 5/16" X .028", With 10 Fittings	16737.82
Universal Fuel Line, 25' Coil, 3/8" X .028", With 6 Fittings	16737.83

V. Fuel Pump	Part#
1941-1945 MB, 1941-1945 Ford GPW, 1945-1949 CJ2A, 1948-1953 CJ3A, 1953-1967 CJ3B, 1950-1952 M38, 1952-1971 M38A1, 1955-1966 CJ5, 1955-1966 CJ6, 1946-1964 Truck, 1946-1964 Station Wagon, 1948-1951 Jeepster, Fuel Pump [134 CI], Without Vacuum Operated Wipers, Single Action With Glass Fuel Bowl	17709.01
1941-1945 MB, 1941-1945 Ford GPW, 1945-1949 CJ2A, 1948-1953 CJ3A, 1953-1967 CJ3B, 1950-1952 M38, 1952-1971 M38A1, 1955-1966 CJ5, 1955-1966 CJ6, 1946-1964 Truck, 1946-1964 Station Wagon, 1948-1951 Jeepster, Fuel Pump [134 CI], With Vacuum Operated Wipers, Dual Action Without Glass Fuel Bowl	17709.03
1948-1953 CJ3A, 1946-1949 Truck, 1946-1949 Station Wagon, 1948-1949 Jeepster, Fuel Pump [134 CI], With Vacuum Operated Wipers, Dual Action Without Glass Fuel Bowl	17709.04
1954-1964 Truck, 1954-1964 Station Wagon, Fuel Pump [226 CI]	17709.10
1954-1964 Truck, 1954-1964 Station Wagon, Fuel Pump [230 CI]	17709.11
1966-1971 CJ5, 1966-1971 CJ6, 1966 Jeepster, Fuel Pump [225 CI]	17709.17
1972-1973 CJ5 [3.8L & 4.2L], 1972-1973 CJ6 [3.8L & 4.2L], 1972-1973 Cherokee / Grand Wagoneer [SJ] [4.2L], Fuel Pump	17709.12
1972-1975 CJ5 [5.0L], 1972-1975 CJ6 [5.0L], Fuel Pump	17709.14
1974-1979 CJ5 [3.8L], 1974-1983 CJ5 [4.2L], 1974-1975 CJ6 [3.8L & 4.2L], 1976-1979 CJ7 [3.8L], 1976-1986 CJ7 [4.2L], 1986 CJ8 [4.2L], Fuel Pump	17709.06
1976-1981 CJ5 [5.0L], 1976-1981 CJ7 [5.0L], 1981 CJ8 [5.0L], Fuel Pump	17709.15
1983 CJ5 [2.5L AMC], 1983-1986 CJ7 [2.5L AMC], 1983-1986 CJ8 [2.5L AMC], 1987-1988 Wrangler [2.5L], Fuel Pump	17709.06
1987-1990 Wrangler [2.5L With Carb], 1986-1990 Cherokee [2.5L With Carb], Electric Fuel Pump	17709.07
1987-1990 Wrangler [2.5L With EFI], 1986-1990 Cherokee [2.5L With EFI], Electric Fuel Pump	17709.08
1987-1990 Wrangler [4.2L], Fuel Pump, With Front Inlet Fitting	17709.13
1987-1990 Wrangler [4.2L], Fuel Pump, With Rear Inlet Fitting	17709.06
1987-1993 Cherokee [4.0L], 1991-1993 Wrangler [4.0L], Electric Fuel Pump	17709.09

W. Fuel Pump Module	Part#
1991-1995 Wrangler, Fuel Pump Module [2.5L & 4.0L], With 20 Gallon Tank	17724.16
1997-1999 Wrangler, Fuel Pump Module [2.5 & 4.0L], w 15 Gallon Tank	17709.30
1997-2002 Wrangler, Fuel Pump Module [2.5L & 4.0L], w 19 Gallon Tank	17709.32
1997-2001 Cherokee, Fuel Pump Module [2.5L & 4.0L]	17709.29
1996 Cherokee, Fuel Pump Module [2.5L]	17709.31
1993-1994 Grand Cherokee, Fuel Pump Module [4.0L & 5.2L]	17709.22
1999-2000 Grand Cherokee, Fuel Pump Module [4.0L & 4.7L]	17709.24
1995 Grand Cherokee, Fuel Pump Module [4.0L & 5.2L]	17709.21
1996 Grand Cherokee, Fuel Pump Module [4.0L & 5.2L]	17709.20
2003-2004 Grand Cherokee, Fuel Pump Module [4.0L & 4.7L]	17709.23
2005-2006 Grand Cherokee, Fuel Pump Module [3.7L, 4.7L & 5.7L]	17709.25
1991-1993 Cherokee, Fuel Pump Module [2.5L]	17709.27
1997-1998 Grand Cherokee, Fuel Pump Module [4.0L, 5.2L & 5.9L]	17709.28

Y. Fuel Sending Units

	Part#
1945-1949 CJ2A, 1948-1953 CJ3A, 1953 CJ3B, Fuel Sending Unit *	17724.01
1954-1967 CJ3B, Fuel Sending Unit *	17724.02
1946-1964 Station Wagon, 1948-1951 Jeepster, Fuel Sending Unit [226 CI]	17724.05
1946-1964 Truck, Fuel Sending Unit [226 CI]	17724.06
1955-1966 CJ5, 1955-1966 CJ6, Fuel Sending Unit [134 CI]	17724.02
1963-1979 J10 / J20 Truck, Fuel Sending Unit	17724.21
1966-1971 CJ5, 1967-1971 CJ6, Fuel Sending Unit [225 CI]	17724.04
1967-1971 CJ5, 1967-1971 CJ6, Fuel Sending Unit [134 CI]	17724.03
1970-1983 CJ5, 1970-1975 CJ6, 1976-1986 CJ7, 1981-1986 CJ8, Fuel Tank Sending Unit, For 15 Gallon Steel or Polyethylene Tank	17724.07
1970-1983 CJ5, 1970-1975 CJ6, 1976-1986 CJ7, 1981-1986 CJ8, Fuel Tank Sending Unit, For 20 Gallon Polyethylene Tank	17724.11
1970-1983 CJ5, 1970-1975 CJ6, 1976-1986 CJ7, 1981-1986 CJ8, Fuel Tank Sending Unit Kit, For 20 Gallon Polyethylene Tank, Includes: Sender, Lock Ring, Gasket,	17724.13
1970-1983 CJ5, 1970-1975 CJ6, 1976-1986 CJ7, 1981-1986 CJ8, Fuel Tank Sending Unit Kit, For 15 Gallon Steel or Polyethylene Tank, Includes: Sender, Lock Ring & Gasket	17724.09
1970-1979 Cherokee / Grand Wagoneer (SJ), Fuel Sending Unit	17724.18
1981-1985 Grand Wagoneer (SJ), Fuel Sending Unit	17724.20
1982-1983 CJ5, 1982-1986 CJ7, 1982-1986 CJ8, Fuel Tank Sending Unit, For 20 Gallon Steel Tank	17724.12
1987-1995 Wrangler [2.5L & 4.2L], Fuel Tank Sending Unit, For 20 Gallon Polyethylene Tank	17724.16
1945-1949 CJ2A, 1948-1953 CJ3A, 1953 CJ3B, Fuel Sending Unit Gasket *	17725.01
1954-1967 CJ3B, Fuel Sending Unit Gasket	17725.02
1955-1983 CJ5, 1955-1975 CJ6, 1976-1986 CJ7, 1981-1986 CJ8, Fuel Tank Sending Unit Float, Plastic	17729.01
1970-1983 CJ5, 1970-1975 CJ6, 1976-1986 CJ7, 1981-1986 CJ8, Fuel Tank Sending Unit O-Ring Gasket	17730.01
1970-1983 CJ5, 1970-1975 CJ6, 1976-1986 CJ7, 1981-1986 CJ8, Fuel Tank Sending Unit Lock Ring, For 15 Gallon Tank	17727.01
1970-1983 CJ5, 1970-1975 CJ6, 1976-1986 CJ7, 1981-1986 CJ8, Fuel Tank Sending Unit Lock Ring, For 20 Gallon Tank	17727.02
1970-1979 Cherokee / Grand Wagoneer (SJ), Fuel Sending Unit Pickup Tube	17724.22
1987-1990 Wrangler [2.5L & 4.2L], Fuel Tank Sending Unit Gasket	17730.02
1987-1990 Wrangler, Fuel Tank Sending Unit Lock Ring	17727.03

Z. Fuel Pump Filters

	Part#
1991-1995 Wrangler, 1994-1996 Cherokee, Fuel Pump Filter [2.5L & 4.0L]	17709.18
1997-2002 Wrangler [2.5L & 4.0L], 1997-2001 Cherokee [2.5L & 4.0L], 1997-1998 Grand Cherokee [4.0L, 5.2L & 5.9L], Fuel Pump Filter	17709.19

Z-1. Steel Gas Tanks

	Part#
1941-1942 MB, 1941-1945 Ford GPW, Gas Tank, Small Spout Design	17720.01
1942-1945 MB, 1941-1945 Ford GPW, Gas Tank, Large Spout Design	17720.02
1945-1949 CJ2A, 1948-1953 CJ3A, 1953 CJ3B, Gas Tank *	17720.04
1950-1952 M38, Gas Tank	17720.03
1952-1971 M38A1, Gas Tank	17720.07
1954-1967 CJ3B, Gas Tank *	17720.05
1955-1969 CJ5, 1955-1969 CJ6, Gas Tank [134 CI]	17720.06
1970-1975 CJ5, 1970-1975 CJ6, Gas Tank [2.25" Inlet Diameter, With 6.5" Filler Neck] *	17720.08
1976-1977 CJ5, 1976-1977 CJ7, Gas Tank [2.25" Inlet Diameter, With 1.25" Filler Neck], 15 Gallon	17720.09
1978-1983 CJ5, 1978-1986 CJ7, 1981-1986 CJ8, Gas Tank [1" Inlet Diameter], 15 Gallon	17720.10
1984-1986 Cherokee [2.5L With Carb & 2.8L], 1986-1994 Cherokee [2.1L Diesel], 1995-1996 Cherokee [2.5L Diesel], Gas Tank , 13.5 or 20.2 Gallon Ⓞ	17720.14
1986-1996 Cherokee [2.5L with EFI], 1987-1996 Cherokee [4.0L], Gas Tank, 13.5 or 20.2 Gallon Ⓞ	17720.15
1987-1990 Wrangler [2.5L], Gas Tank	17720.12
1987-1990 Wrangler [4.2L], Gas Tank	17720.13

* CJ3B Up To Serial 39838 + CJ3B After Serial 39838 ♦ Except 225 CI
 Ⓞ Fuel Filler Pipe Determines Fill Level ~ Requires Mounting Kit PN: 17723.01



[Y] 17724.11

[Z] 17709.18

[Z-2] 17722.01

[Z-1] 17720.04

[Z-3] 12021.21

Z-2. Polyethylene Gas Tanks

	Part#
1945-1949 CJ2A, 1948-1953 CJ3A, 1953 CJ3B, Polyethylene Gas Tank UPGRADE *	17722.01
1945-1949 CJ2A, 1948-1953 CJ3A, 1953 CJ3B, Polyethylene Gas Tank, Auxiliary, Mounts Under Passenger Seat UPGRADE *	17722.02
1946-1964 Truck, Polyethylene Gas Tank Kit , 17 Gallon, Includes Gas Tanking & Mounting Kit UPGRADE	17722.14
1946-1964 Station Wagon, Polyethylene Gas Tank Kit , 18 Gallon, Includes Gas Tanking & Mounting Kit UPGRADE	17722.21
1954-1967 CJ3B, Polyethylene Gas Tank UPGRADE	17722.03
1954-1967 CJ3B, Polyethylene Gas Tank, Auxiliary, Mounts Under Passenger Seat UPGRADE +	17722.04
1955-1969 CJ5, 1955-1969 CJ6, Polyethylene Gas Tank [134 CI] UPGRADE	17722.05
1955-1969 CJ5, 1955-1969 CJ6, Polyethylene Gas Tank [134 CI], Auxiliary, Mounts Under Passenger Seat UPGRADE	17722.06
1962-1977 J10 / J20 Truck, Polyethylene Gas Tank, 18 Gallon ~	17722.15
1967-1971 CJ6, Polyethylene Gas Tank [225 CI] UPGRADE	17722.07
1967-1971 CJ6, Polyethylene Gas Tank [225 CI], Auxiliary, Mounts Under Passenger Seat UPGRADE	17722.08
1970-1975 CJ5, 1970-1975 CJ6, Polyethylene Gas Tank [2.25" Inlet Diameter, With 6.5" Filler Neck] UPGRADE	17722.09
1970-1977 Cherokee / Wagoneer (SJ), Polyethylene Gas Tank Kit, 21 Gallon, Includes Tank & Mounting Kit UPGRADE	17722.18
1976-1977 CJ5, 1976-1977 CJ7, Polyethylene Gas Tank [2.25" Inlet Diameter, With 1.25" Filler Neck], 21 Gallon UPGRADE	17722.10
1978-1983 CJ5, 1978-1986 CJ7, 1981-1986 CJ8, Polyethylene Gas Tank [1" Inlet Diameter], 15 Gallon UPGRADE	17722.11
1978-1983 CJ5, 1978-1986 CJ7, 1981-1986 CJ8, Polyethylene Gas Tank [1" Inlet Diameter], 20 Gallon UPGRADE	17722.12
1978-1983 CJ5, 1978-1986 CJ7, 1981-1986 CJ8, Polyethylene Gas Tank Kit [1" Inlet Diameter], 20 Gallon, Includes Gas Tanking & Mounting Kit UPGRADE	17722.22
1978-1979 Cherokee / Wagoneer (SJ), Polyethylene Gas Tank Kit, 21 Gallon, Includes Tank & Mounting Kit UPGRADE	17722.19
1978-1979 J10 / J20 Truck, Polyethylene Gas Tank [With Side Filler Pipe], 18 Gallon UPGRADE ~	17722.16
1978-1979 J10 / J20 Truck, Polyethylene Gas Tank [With Front Filler Pipe], 18 Gallon UPGRADE ~	17722.20
1987-1990 Wrangler [2.5L & 4.2L], Polyethylene Gas Tank, 15 Gallon UPGRADE	17722.13
1987-1995 Wrangler [2.5L & 4.2L], Polyethylene Gas Tank, 20 Gallon UPGRADE	17722.23

Z-3. OE Style Gas Tank Skid Plates & Wells

	Part#
1941-1942 MB and Ford GPW, Gas Tank Well (Cover)	12021.21
1943-1945 MB and Ford GPW, Gas Tank Well (Cover)	12021.22
1941-1945 MB, 1941-1945 Ford GPW, 1945-1949 CJ2A, 1948-1953 CJ3A, 1953-1967 CJ3B, 1952-1967 M38A1, 1955-1969 CJ5, 1955-1969 CJ6, Gas Tank Felt Kit [8 Piece Kit]	12021.87
1976-1983 CJ5, 1976-1986 CJ7, 1981-1986 CJ8, 1987-1990 Wrangler, Gas Tank Skid Plate [For 15 Gallon Tank]	17721.01
1987-1995 Wrangler, Gas Tank Skid Plate [For 20 Gallon Tank]	17721.02

Fuel



[Z-4] 17739.03

[Z-5] 17741.03



[Z-6] 12025.25



[Z-5] 12025.23



[Z-7] 17740.04

[Z-7] 17740.01

[Z-8] 17726.08



[Z-8] 17726.12



[Z-7] 17744.01



[Z-8] 17726.07

Z-4. Gas Tank Straps	Part#
1945-1949 CJ2A, 1948-1953 CJ3A, 1953-1967 CJ3B, 1952-1971 M38A1, Gas Tank Strap Kit, Center	12025.24
1978-1983 CJ5, 1978-1986 CJ7, 1981-1986 CJ8, Gas Tank Strap, Left, For Polyethylene or Steel 15 Gallon Tank	17739.04
1978-1983 CJ5, 1978-1986 CJ7, 1981-1986 CJ8, Gas Tank Strap, Right, For Polyethylene or Steel 15 Gallon Tank	17739.05
1978-1983 CJ5, 1978-1986 CJ7, 1981-1986 CJ8, Gas Tank Strap, Center, For Polyethylene or Steel 15 Gallon Tank	17739.01
1978-1983 CJ5, 1978-1986 CJ7, 1981-1986 CJ8, Gas Tank Strap, Center, For Polyethylene 20 Gallon Tank	17739.03
Polyethylene Gas Tank Mounting Kit [For 17722.15, 17722.16 & 17722.20]	17723.01
1987-1990 Wrangler (2.5L & 4.2L), Gas Tank Strap, Left	17739.04
1987-1990 Wrangler (2.5L & 4.2L), Gas Tank Strap, Right	17739.05
1987-1990 Wrangler (2.5L & 4.2L), Gas Tank Strap, Center	17739.02
1997-2006 Wrangler (2.4L, 2.5L & 4.0L), Gas Tank Strap, Center	17739.06

Z-7. Fuel Filler Hoses	Part#
1970-1975 CJ5, 1970-1975 CJ6, Fuel Filler Hose	17740.01
1976-1977 CJ5, 1976-1977 CJ7, Fuel Filler Hose [2.25" Inlet Diameter, With 1.25" Filler Neck]	17740.02
1978-1983 CJ5, 1978-1986 CJ7, Fuel Filler Hose [1" Inlet Diameter], 15 Gallon	17740.03
1981-1986 CJ8, Fuel Filler Hose [1" Inlet Diameter]	17740.05
1982-1983 CJ5, 1982-1986 CJ7, 1982-1986 CJ8, Fuel Filler Hose [1.25" Inlet Diameter], 20 Gallon Tank	17740.04
1987-1990 Wrangler, Fuel Filler Hose	17740.06
1991-1995 Wrangler, Fuel Filler Hose, For 20 Gallon Tank	17740.07
1997-2002 Wrangler, Fuel Filler Hose	17740.08

Z-8. Hose Clamps	Part#
Universal Hose Clamp, 1" to 1.25"	17744.01
Universal Hose Clamp, 1" to 1.5"	17744.02
Universal Hose Clamp, 3"	17744.03

Z-5. Fuel Vent Hoses	Part#
1945-1949 CJ2A, 1948-1953 CJ3A, 1953-1967 CJ3B, 1955-1969 CJ5, 1955-1969 CJ6, Fuel Filler Neck Grommet	12025.23
1978-1983 CJ5, 1978-1986 CJ7, Fuel Vent Hose, 15 Gallon Tank	17741.01
1978-1983 CJ5, 1978-1986 CJ7, 1981 CJ8, Fuel Filler Neck [1" Inlet Diameter], 15 Gallon	17743.01
1991-1995 Wrangler, Fuel Filler Neck	17743.03
1982-1983 CJ5, 1982-1986 CJ7, Fuel Vent Hose, 20 Gallon Tank	17741.02
1997-2002 Wrangler, Fuel Filler Neck	17742.02
1981-1986 CJ8, Fuel Vent Hose, 15 Gallon Tank	17741.03
1987-1990 Wrangler, Fuel Vent Hose	17741.04
1991-1995 Wrangler, Fuel Vent Hose, For 20 Gallon Tank	17741.05
1997-2002 Wrangler, Fuel Vent Hose	17741.06

Z-9. Gas Caps	Part#
1942-1944 MB, 1941-1944 Ford GPW, Gas Cap, Metal, Olive Drab	17726.01
1945-1949 CJ2A, 1948-1953 CJ3A, 1953-1967 CJ3B, 1955-1969 CJ5, 1955-1969 CJ6, Zinc, Non-Vented	17726.02
1945-1949 CJ2A, 1948-1953 CJ3A, 1953-1967 CJ3B, 1955-1969 CJ5, 1955-1969 CJ6, Black, Non-Vented	17726.03
1946-1964 Truck, 1946-1964 Station Wagon, Gas Cap, Zinc, Non-Locking	17726.11
1963-1971 J10 / J20 Truck, 1963-1971 Wagoner, Gas Cap, Zinc, Non-Locking	17726.13
1971-1976 CJ5, 1971-1976 CJ6, Gas Cap, Zinc, Non-Vented, Non-Locking	17726.04
1971-1976 CJ5, 1971-1976 CJ6, Gas Cap, Black, Non-Vented, Locking	17726.05
1978-1986 CJ5, 1978-1986 CJ7, 1981-1986 CJ8, 1987-1990 Wrangler, Gas Cap, Zinc, Non-Vented, Non-Locking	17726.07
1978-1986 CJ5, 1978-1986 CJ7, 1981-1986 CJ8, 1987-1990 Wrangler, Gas Cap, Black, Non-Vented, Locking	17726.06
1991-1995 Wrangler, Gas Cap, Black, Non-Locking	17726.09
1991-1995 Wrangler, Gas Cap, Black, Locking	17726.08
1997-2000 Wrangler, Gas Cap, 1984-1999 Cherokee, 1993-2000 Cherokee, Black, Non-Locking	17726.09
1997-2000 Wrangler, 1984-1999 Cherokee Gas Cap, 1993-2000 Cherokee, Black, Locking	17726.08
2001-2006 Wrangler, 2000-2001 Cherokee, 2001-2004 Grand Cherokee, 2002-2005 Liberty, Gas Cap, Black, Non-Locking	17726.12
2001-2006 Wrangler, 2000-2001 Cherokee, 2001-2004 Grand Cherokee, 2002-2005 Liberty, Gas Cap, Black, Locking	17726.10

Z-6. Fuel Filler Neck Protectors	Part#
1945-1949 CJ2A, 1948-1953 CJ3A, 1953-1967 CJ3B, 1955-1969 CJ5, 1955-1969 CJ6, Fuel Filler Neck Protector	12025.25
1950-1952 M38, 1952-1971 M38A1, Fuel Filler Neck Protector	12023.11
1978-1983 CJ5, 1978-1986 CJ7, 1981-1986 CJ8, Fuel Filler Neck Protector, Plastic	17742.01
1978-1983 CJ5, 1978-1986 CJ7, 1981-1986 CJ8, Fuel Filler Neck Protector, Stainless Steel	11135.01
1987-1995 Wrangler, Fuel Filler Neck Protector, Plastic	17742.01
1987-1995 Wrangler, Fuel Filler Neck Protector, Stainless Steel	11135.01
1997-2006 Wrangler, Fuel Filler Neck Protector, Stainless Steel	11135.02



A. Heater Seals	Part#
1978-1983 CJ5, 1978-1986 CJ7, 1981-1986 CJ8, 1987-1995 Wrangler, Heater Core Tube Seal	17908.01
1978-1983 CJ5, 1978-1986 CJ7, 1981-1986 CJ8, 1987-1990 Wrangler, Heater Firewall Motor Seal	17908.02
1991-1995 Wrangler, Heater Firewall Motor Seal	17908.03



B. Control Cables	Part#
1978-1983 CJ5, 1978-1986 CJ7, 1981-1986 CJ8, Heater Cable Kit [3 Pieces]	17905.04
1978-1983 CJ5, 1978-1986 CJ7, 1981-1986 CJ8, Heater Cable, Defroster [21"]	17905.01
1978-1983 CJ5, 1978-1986 CJ7, 1981-1986 CJ8, Heater Cable, Temp [21.5"]	17905.02
1978-1983 CJ5, 1978-1986 CJ7, 1981-1986 CJ8, Heater Cable, Air [28"]	17905.03
1997-2001 Wrangler, AC Plenum Door Lever, For Lower AC Panel	17910.01
1997-2001 Wrangler, AC Plenum Door Lever, For Upper Defroster Door	17910.02



C. Vents & Defrosters	Part#
1972-1977 CJ5, 1972-1975 CJ6, 1976-1977 CJ7, 1966-1973 Commando, Fresh Air Box [With Brackets]	17906.01
1978-1983 CJ5, 1978-1986 CJ7, 1981-1986 CJ8, Defroster Duct Hose	17907.02
1955-1977 CJ5, 1955-1975 CJ6, 1977 CJ7, Heater Defroster Duct	17907.01
1978-1983 CJ5, 1978-1986 CJ7, 1981-1986 CJ8, Defroster Ducts [Pair]	17907.03
1978-1983 CJ5, 1978-1986 CJ7, 1981-1986 CJ8, Defroster Deflector Vents [Pair]	17907.04
1987-1995 Wrangler, Heater Floor Duct *	17907.05



D. Switches & Knobs	Part#
1968-1983 CJ5, 1968-1975 CJ6, 1976-1986 CJ7, 1981-1986 CJ8, Heater Switch Knob	13318.05
1999-2006 Wrangler, Climate Control Knob [3 Required]	17903.20
1976-1977 CJ5, 1976-1977 CJ7, Heater Blower Switch	17903.01
1978-1983 CJ5, 1978-1986 CJ7, 1981-1986 CJ8, Heater Blower Switch	17903.02
1997-2002 Wrangler, Heater Blower Switch	17903.04
1991-1996 Cherokee, 1993 Grand Cherokee, Heater Blower Switch	17903.03

G. AC Evaporator	Part#
1987-1990 Cherokee [2.5L & 4.0L] AC Evaporator	17952.01
1994-1996 Cherokee [2.5L & 4.0L] AC Evaporator	17952.03

D-1. Climate Control Panel	Part#
1999-2004 Wrangler, Climate Control Panel	17903.06

H. Receiver Drier	Part#
1984-1986 Cherokee [2.1L Diesel, 2.5L & 2.8L], Receiver Drier	17951.01
1987-1996 Cherokee [2.5L], Receiver Drier	17951.02
1991-1996 Cherokee [4.0L With Factory R12], Receiver Drier	17951.04
1994-1996 Cherokee [4.0L With Factory R134A], Receiver Drier	17951.05

E. AC Compressor	Part#
1997-2002 Wrangler [2.5L], 1997-1999 Wrangler [4.0L], 1997-2000 Cherokee [2.5L], 1997-2001 Cherokee [4.0L], AC Compressor	17953.02
1999-2004 Grand Cherokee [4.0L], 2000-2006 Wrangler [4.0L], AC Compressor	17953.03
2003-2006 Wrangler [2.4L], AC Compressor	17953.04
1999-2004 Grand Cherokee [4.7L], AC Compressor	17953.05
2006-2009 Liberty [3.7L], AC Compressor	17953.06

I. Heater Cores	Part#
1972-1977 CJ5, 1972-1975 CJ6, 1976-1977 CJ7, Heater Core [With 2 Speed Heater Blower Motor]	17901.01
1978-1983 CJ5, 1978-1986 CJ7, 1981-1986 CJ8, Heater Core [With 3 Speed Heater Blower Motor]	17901.02
1987-1995 Wrangler, Heater Core	17901.03
1997-2001 Wrangler, Heater Core	17901.04
2002-2006 Wrangler, Heater Core	17901.05
1984-1996 Cherokee, Heater Core	17901.08
1997-2001 Cherokee, Heater Core	17901.04
1993-1998 Grand Cherokee, Heater Core	17901.09
1999-2004 Grand Cherokee, Heater Core	17901.10
2002-2007 Liberty, Heater Core	17901.11

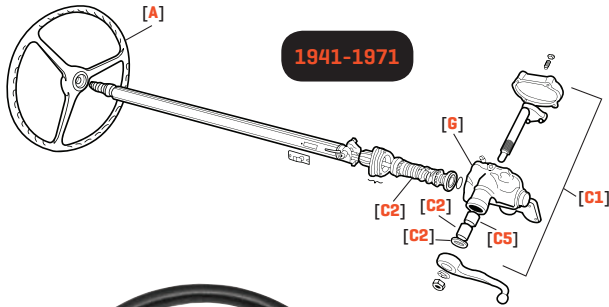
F. AC Condenser	Part#
1987-1990 Cherokee [With Expansion Valve], AC Condenser	17950.01
1987-1995 Wrangler, AC Condenser	17950.02
1997-2000 Wrangler, AC Condenser	17950.03
1984-1986 Cherokee [2.5L & 2.8L], AC Condenser	17950.04
1987-1996 Cherokee [4.0L], AC Condenser	17950.05
1992-1997 Cherokee [4.0L With Serpentine Belt], AC Condenser	17950.06
1997-2001 Cherokee [4.0L], AC Condenser [With Parallel Flow]	17950.07
1993-1998 Grand Cherokee, AC Condenser	17950.08
1999-2004 Grand Cherokee, AC Condenser	17950.09

J. Heater Blower Motor	Part#
1972-1977 CJ5, 1972-1975 CJ6, 1976-1977 CJ7, Heater Blower Motor [2-Speed]	17904.01
1978-1983 CJ5, 1978-1986 CJ7, 1981-1986 CJ8, 1987-1990 Wrangler, Heater Blower Motor [3-Speed] *	17904.02
1991-1995 Wrangler, Heater Blower Motor	17904.03
1988-1993 Cherokee, Heater Blower Motor	17904.04
1993-1998 Grand Cherokee, Heater Blower Motor	17904.05
2005-2010 Grand Cherokee, Heater Blower Motor	17904.06

K. Heater Blower Resistor	Part#
1997-2001 Wrangler [All] 2002-2006 Wrangler [RHD With 4WD], 1993-1994 Grand Cherokee, 1997-2001 Cherokee, Heater Blower Resistor	17909.03
1991-1996 Cherokee, Heater Blower Resistor	17909.01
1993-1998 Grand Cherokee [Without AC], Heater Blower Resistor	17909.02

* 1976-1986 CJ Can Convert To This Later Style

Steering



A. Steering Wheels

	Part#
1941-1945 MB, 1941-1945 Ford GPW, Steering Wheel, Olive Drab With Metal Spokes	18031.03
1945-1949 CJ2A, 1948-1953 CJ3A, 1950-1952 M38, 1953-1967 CJ3B, 1953-1971 M38A1, 1955-1966 CJ5, 1955-1966 CJ6, Steering Wheel, Black, For 1.25" Horn Button	18031.01
1945-1949 CJ2A, 1948-1953 CJ3A, 1950-1952 M38, 1953-1967 CJ3B, 1953-1971 M38A1, 1955-1966 CJ5, 1955-1966 CJ6, Steering Wheel, Green, For 1.25" Horn Button	18031.02
1960-1975 CJ5, 1960-1975 CJ6, Steering Wheel, Black, For 2-3/8" Horn Button	18031.04
1976-1983 CJ5, 1976-1986 CJ7, 1981-1986 CJ8, 1987-1995 Wrangler, Steering Wheel, Metal 3-Spoke, Black Vinyl	18031.05
1976-1983 CJ5, 1976-1986 CJ7, 1981-1986 CJ8, 1987-1995 Wrangler, Steering Wheel, Metal 3-Spoke, Black Leather	18031.08
1976-1983 CJ5, 1976-1986 CJ7, 1981-1986 CJ8, 1987-1995 Wrangler, Steering Wheel Kit (With Horn Button), Metal 3-Spoke, Black Vinyl	18031.07
1976-1983 CJ5, 1976-1986 CJ7, 1981-1986 CJ8, 1987-1995 Wrangler, Steering Wheel Kit (With Horn Button), Metal 3-Spoke, Black Leather	18031.05

B. Horn Buttons

	Part#
1945-1949 CJ2A, 1948-1953 CJ3A, 1950-1952 M38, 1953-1967 CJ3B, 1953-1971 M38A1, 1955-1966 CJ5, 1955-1966 CJ6, Horn Button & Nut (1.25")	18032.02
1941-1945 MB, 1941-1945 Ford GPW, Horn Button Wiring Kit	18032.01
1941-1945 MB, 1941-1945 Ford GPW, 1945-1949 CJ2A, Horn Button Contact Bushing	18032.06
1945-1949 CJ2A, 1948-1953 CJ3A, 1950-1952 M38, 1953-1967 CJ3B, 1953-1971 M38A1, 1955-1966 CJ5, 1955-1966 CJ6, Horn Button Kit (1.25"). Includes: Button, Wiring & Nut	18032.03
1960-1975 CJ5, 1960-1975 CJ6, Horn Button Kit (2-1/4"). Includes: Button, Wiring & Nut	18032.04
1960-1975 CJ5, 1960-1975 CJ6, Horn Button (2-3/8")	18032.05
1960-1975 CJ5, 1960-1975 CJ6, Horn Button & Nut (2-3/8")	18032.02
1960-1975 CJ5, 1960-1975 CJ6, Horn Button Kit (2-3/8"). Includes: Button, Wiring & Nut	18032.03
1976-1983 CJ5, 1976-1986 CJ7, 1981-1986 CJ8, 1987-1995 Wrangler, Horn Button, Black	18033.01

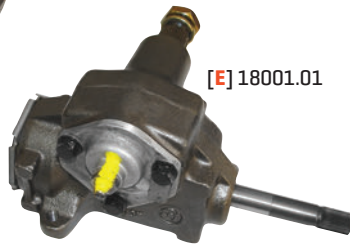
C. Steering Shafts & Components

	Part#
1941-1945 MB, 1941-1945 Ford GPW, 1945-1949 CJ2A, 1946-1951 Station Wagon (With Planar Suspension), 1948-1953 CJ3A, 1948-1951 Jeepster, 1953-1967 CJ3B, 1955-1971 CJ5, 1955-1971 CJ6, Worm Shaft Bearing Kit (134 CI)	18029.01
1941-1945 MB, 1941-1945 Ford GPW, 1945-1949 CJ2A, 1946-1951 Station Wagon (With Planar Suspension), 1948-1953 CJ3A, 1948-1951 Jeepster, 1953-1967 CJ3B, 1955-1971 CJ5, 1955-1971 CJ6, Steering Sector Shaft Outer Bushing (134 CI)	18029.05
1941-1945 MB, 1941-1945 Ford GPW, 1945-1949 CJ2A, 1946-1951 Station Wagon (With Planar Suspension), 1948-1953 CJ3A, 1948-1951 Jeepster, 1953-1967 CJ3B, 1955-1971 CJ5, 1955-1971 CJ6, Steering Sector Shaft Inner Bushing (134 CI)	18029.06
1941-1945 MB, 1941-1945 Ford GPW, 1945-1949 CJ2A, 1946-1951 Station Wagon (With Planar Suspension), 1948-1953 CJ3A, 1948-1951 Jeepster, 1953-1967 CJ3B, 1955-1971 CJ5, 1955-1971 CJ6, Steering Sector Shaft Repair Kit (134 CI), For 7/8" Shaft, Includes: Sector Shaft, Bushings, & Gaskets	18027.01
1941-1945 MB, 1941-1945 Ford GPW, 1945-1948 CJ2A, Worm Shaft (40.5") *	18028.01
1948-1949 CJ2A, 1948-1953 CJ3A, 1953-1967 CJ3B, 1955-1971 CJ5, 1955-1971 CJ6, Worm Shaft (41.5"). For 134 CI +	18028.02
1950-1952 M38, 1953-1971 M38A1, 1967-1971 CJ5 (225 CI), 1967-1971 CJ6 (225 CI), Sector Shaft Oil Seal	18029.04
1950-1952 M38, 1953-1971 M38A1, 1967-1971 CJ5 (225 CI), 1967-1971 CJ6 (225 CI) Sector Shaft Bushing (Long)	18029.07
1950-1952 M38, 1953-1971 M38A1, 1967-1971 CJ5 (225 CI), 1967-1971 CJ6 (225 CI) Sector Shaft Bushing (Short)	18029.08
1972-1983 CJ5, 1972-1975 CJ6, 1976-1986 CJ7, 1981-1986 CJ8, 1973-1983 Cherokee / Grand Wagoneer (SJ), Sector Shaft Bushing (Manual)	18002.02
1972-1983 CJ5, 1972-1975 CJ6, 1976-1986 CJ7, 1981-1986 CJ8, 1973-1983 Cherokee / Grand Wagoneer (SJ), Steering Sector Shaft Oil Seal (Manual)	18002.03
1972-1983 CJ5, 1972-1975 CJ6, 1976-1986 CJ7, 1981-1986 CJ8, 1973-1983 Cherokee / Grand Wagoneer (SJ), Steering Worm Shaft Oil Seal (Manual)	18002.04
1972-1975 CJ5, 1972-1975 CJ6, Steering Shaft Yoke Assembly, Includes U-Joint UPGRADE	18017.01
1972-1975 CJ5, 1972-1975 CJ6, Steering Shaft Yoke Assembly U-Joint UPGRADE	18017.02
1984-1986 CJ7, 1984-1986 CJ8, 1984-1996 Cherokee, 1987-1995 Wrangler, 1984-1991 Cherokee / Grand Wagoneer (SJ), Steering Column Sector Kit (Without Tilt Column)	18020.02
1976-1983 CJ5, 1976-1986 CJ7, 1981-1986 CJ8, Lower Steering Shaft Assembly (Manual)	18016.01
1976-1983 CJ5, 1976-1986 CJ7, 1981-1986 CJ8, Lower Steering Shaft Assembly (Power)	18016.02
1987-1995 Wrangler, Lower Steering Shaft Assembly (Power)	18016.03
1976-1983 CJ5, 1976-1986 CJ7, 1981-1986 CJ8, Lower Steering Shaft Assembly (Manual), Heavy Duty	18024.01
1976-1983 CJ5, 1976-1986 CJ7, 1981-1986 CJ8, Lower Steering Shaft Assembly (Power), Heavy Duty	18024.02
1976-1983 CJ5, 1976-1986 CJ7, 1981-1986 CJ8, Steering Shaft Coupling Boot	18018.01
1976-1983 CJ5, 1976-1986 CJ7, 1981-1986 CJ8, Steering Shaft Coupling Boot Kit, Includes: Spring Clamp & Nut Bearings	18018.02
1976-1983 CJ5, 1976-1986 CJ7, 1981-1986 CJ8, Steering Shaft Coupling (Manual)	18018.03
1976-1983 CJ5, 1976-1986 CJ7, 1981-1986 CJ8, Steering Shaft Coupling Kit (Manual)	18018.04
1976-1983 CJ5, 1976-1986 CJ7, 1981-1986 CJ8, Steering Shaft Coupling (Power)	18018.05
1976-1983 CJ5, 1976-1986 CJ7, 1981-1986 CJ8, Steering Shaft Coupling Kit (Power)	18018.06
1976-1983 CJ5, 1976-1986 CJ7, 1981-1986 CJ8, Steering Shaft Coupling Clamp	18018.07
1976-1983 CJ5, 1976-1986 CJ7, 1981-1986 CJ8, Steering Shaft Coupling Nut Bearings	18018.08
1976-1983 CJ5, 1976-1986 CJ7, 1981-1986 CJ8, Steering Shaft Coupling Spring	18018.09

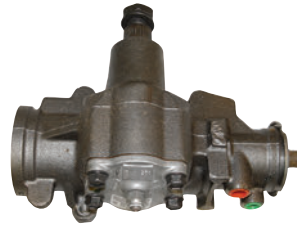
* CJ2A Before Serial 178631 + CJ2A After Serial 178631



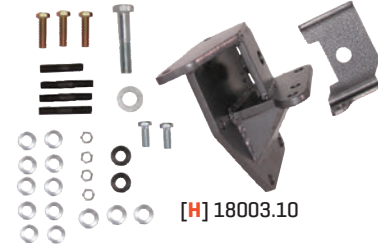
[D] 18019.01



[E] 18001.01



[F] 18004.04

BUY WITH CONFIDENCE
MINIMUM 5 YEAR WARRANTY

[H] 18003.10

D. Steering Column Components

	Part#
1945-1949 CJ2A, 1948-1953 CJ3A, 1950-1952 M38, 1953-1967 CJ3B, 1953-1971 M38A1, 1955-1966 CJ5, 1955-1966 CJ6, Outer Steering Column Tube	18030.01
1945-1949 CJ2A, 1948-1953 CJ3A, 1950-1952 M38, 1953-1967 CJ3B, 1953-1971 M38A1, 1955-1971 CJ5, 1955-1971, Upper Steering Column Bearing	18030.02
1976-1983 CJ5, 1976-1986 CJ7, 1981-1986 CJ8, 1987-1995 Wrangler, Lower Steering Column Bearing	18019.01
1976-1983 CJ5, 1976-1986 CJ7, 1981-1986 CJ8, 1987-1995 Wrangler, Lower Steering Column Retainer, Plastic	18019.02
1976-1983 CJ5, 1976-1986 CJ7, 1981-1986 CJ8, 1987-1995 Wrangler, Lower Steering Column Retainer & Bearing Kit	18019.03
1976-1983 CJ5, 1976-1986 CJ7, 1981-1986 CJ8, Steering Column Cover, Stainless Steel, Plastic	11128.01
1976-1983 CJ5, 1976-1986 CJ7, 1981-1986 CJ8, Steering Column Cover, Black, Plastic	13318.08
1976-1983 CJ5, 1976-1986 CJ7, 1981-1986 CJ8, Steering Column Cover, Chrome, Plastic	18090.01
1976-1983 CJ5, 1976-1986 CJ7, 1981-1986 CJ8, 1987-1995 Wrangler, Steering Column to Firewall Seal	18020.01

E. Manual Steering Boxes

	Part#
1972-1983 CJ5, 1972-1975 CJ6, 1976-1986 CJ7, 1981-1986 CJ8, 1973-1983 Cherokee / Grand Wagoneer (SJ), Steering Gear Box (Manual)	18001.01
1984-1996 Cherokee, 1987-1999 Wrangler, Steering Box (Manual)	18001.03

F. Power Steering Boxes

	Part#
1984-1990 Cherokee, 1987-1995 Wrangler, Steering Box (Power)	18004.02
1997-2002 Wrangler, Steering Box (Power)	18004.10



[G] 18029.02

G. Steering Gear Components

	Part#
1941-1945 MB, 1941-1945 Ford GPW, 1945-1949 CJ2A, 1946-1951 Station Wagon (With Planar Suspension), 1948-1953 CJ3A, 1948-1951 Jeepster, 1950-1952 M38, 1953-1967 CJ3B, 1953-1971 M38A1, 1955-1971 CJ5, 1955-1971 CJ6, Ross Steering Box Shim Set	18029.02
1941-1945 MB, 1941-1945 Ford GPW, 1945-1949 CJ2A, 1946-1951 Station Wagon (With Planar Suspension), 1948-1953 CJ3A, 1948-1951 Jeepster, 1953-1967 CJ3B, 1955-1971 CJ5, 1955-1971 CJ6, Steering Box Oil Seal (134 Cl)	18029.03
1987-1995 Wrangler, 1993-1996 Grand Cherokee, 1973-1991 Cherokee / Grand Wagoneer (SJ), Steering Box Valve Ring & Seal (Power)	18005.01
1987-1995 Wrangler, 1993-1996 Grand Cherokee, 1973-1991 Cherokee / Grand Wagoneer (SJ), Rotating Stub Shaft Seal Kit (Power)	18005.02
1987-1995 Wrangler, 1993-1996 Grand Cherokee, 1973-1991 Cherokee / Grand Wagoneer (SJ), Steering Box Pitman Arm Seal Kit (Power)	18005.03

H. Steering Box Mounts & Brackets

	Part#
1976-1983 CJ5, 1976-1976 CJ7, 1981-1986 CJ8, Steering Box Brace (Power), Heavy Duty	18021.02
1976-1983 CJ5, 1976-1976 CJ7, 1981-1986 CJ8, Steering Box Tie Plate (Manual)	18003.01
1976-1983 CJ5, 1976-1976 CJ7, 1981-1986 CJ8, Steering Box Brace (Manual or Power), Upper	18003.02
1976-1983 CJ5, 1976-1976 CJ7, 1981-1986 CJ8, Steering Box Brace (Manual or Power), Lower	18003.03
1976-1983 CJ5, 1976-1976 CJ7, 1981-1986 CJ8, Steering Box Mount (Power), Heavy Duty	18003.10
1984-2001 Cherokee, Steering Box Brace, Heavy Duty	18021.05



[I] 18008.14

I. Power Steering Pumps

	Part#
1980-1983 CJ5, 1980-1986 CJ7, 1981-1986 CJ8, Power Steering Pump (2.5L GM, 2.5L AMC, 4.2L & 5.0L) +	18008.03
1997-2002 Wrangler (2.5L), Power Steering Pump	18008.11



[J] 18010.02

J. Power Steering Pump Seals

	Part#
1987-1990 4.0L Cherokee, Saginaw Power Steering Pump Seal Kit	18010.01
1987-1995 Wrangler, 1987-1996 Cherokee, 1993-1996 Grand Cherokee, Power Steering Pump Adjusting Plunge Seal Kit	18010.02
1987-1995 Wrangler, 1987-1996 Cherokee, 1993-1996 Grand Cherokee, Power Steering Pump Valve Ring Seal Kit	18010.04
1987-1995 Wrangler, 1987-1996 Cherokee, 1993-1996 Grand Cherokee, Power Steering Pump Seal Kit	18010.05
1997-2002 Wrangler, 1997-2001 Cherokee, 1997-1998 Grand Cherokee, Power Steering Pump Pitman Arm Seal Kit,	18010.03

Steering



K. Power Steering Pressure Hoses	Part#
1976-1979 CJ5 (3.8L, 4.2L & 5.0L), 1976-1979 CJ7 (3.8L, 4.2L & 5.0L), Power Steering Pressure Hose	18012.01
1980-1983 CJ5 (4.2L), 1980-1986 CJ7 (4.2L), 1981-1986 CJ8 (4.2L), Power Steering Pressure Hose	18012.02
1980-1981 CJ5 (5.0L), 1980-1981 CJ7 (5.0L), 1981 CJ8 (5.0L), Power Steering Pressure Hose	18012.03
1984-1985 Cherokee (2.5L), Power Steering Pressure Hose	18012.08
1984-1986 Cherokee (2.8L), Power Steering Pressure Hose	18012.08
1986 Cherokee (2.5L), Power Steering Pressure Hose	18012.09
1987-1990 Wrangler (2.5L), Power Steering Pressure Hose	18012.05
1987-1990 Wrangler (4.0L), Power Steering Pressure Hose	18012.04
1987-1990 Cherokee (4.0L), Power Steering Pressure Hose	18012.10
1991-1995 Wrangler (2.5L), Power Steering Pressure Hose	18012.07
1991-1995 Wrangler (4.0L), Power Steering Pressure Hose	18012.06
1991-1996 Cherokee (4.0L), 1993-1996 Grand Cherokee, Power Steering Pressure Hose	18012.11
1993-1998 Grand Cherokee, (4.0L), 1993-1995 Grand Cherokee, (5.2L), 1996-1998 Grand Cherokee (5.2L & 5.9L w/o Speed Proportional Steering), Power Steering Pressure Hose	18012.14
1996-1998 Grand Cherokee (5.2L & 5.9L w/ Speed Proportional Steering), Power Steering Pressure Hose	18012.15
1997-2002 Wrangler (2.5L), Power Steering Pressure Hose	18012.13
1997-2002 Wrangler (4.0L), Power Steering Pressure Hose	18012.17
2003-2006 Wrangler (4.0L), Power Steering Pressure Hose	18012.18
1997-2001 Cherokee (4.0L), Power Steering Pressure Hose	18012.12
1999-2004 Grand Cherokee (4.0L), Power Steering Pressure Hose	18012.19
1999-2000 Grand Cherokee (4.7L), Power Steering Pressure Hose	18012.16
2001-2004 Grand Cherokee (4.7L), Power Steering Pressure Hose	18012.21
2002-2003 Liberty (3.7L), Power Steering Pressure Hose	18012.20
2007-2011 Wrangler (3.8L), Power Steering Pressure Hose	18012.22

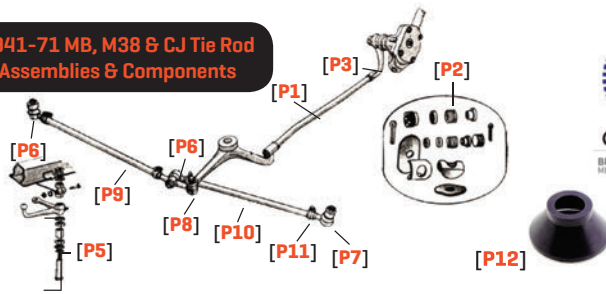
L. Power Steering Return Hoses	Part#
1976-1979 CJ5 (3.8L, 4.2L & 5.0L), 1976-1979 CJ7 (3.8L, 4.2L & 5.0L), Power Steering Return Hose	18014.01
1980-1983 CJ5 (4.2L), 1980-1986 CJ7 (4.2L), 1981-1986 CJ8 (4.2L), Power Steering Return Hose	18014.02
1980-1981 CJ5 (5.0L), 1980-1981 CJ7 (5.0L), 1981 CJ8 (5.0L), Power Steering Return Hose	18014.03
1987-1990 Cherokee (4.0L), Power Steering Return Hose	18014.07
1991-1995 Wrangler (4.0L), Power Steering Return Hose, Pump to Reservoir Connection	18014.06
1991-1995 Wrangler (4.0L), Power Steering Return Hose	18014.11
1997-2002 Wrangler (4.0L), Power Steering Return Hose	18014.08
1991-2001 Cherokee (4.0L), Power Steering Return Hose	18014.11
1993-1998 Grand Cherokee (4.0L, 5.2L & 5.9L), Power Steering Return Hose	18014.09
1998-2000 Cherokee (2.5L), Power Steering Return Hose	18014.10
1999-2000 Grand Cherokee (4.7L Without PS Cooler), Power Steering Return Hose	18014.12

M. Pitman Arms	Part#
1941-1945 MB, 1941-1945 Ford GPW, 1945-1949 CJ2A, 1948-1953 CJ3A, 1953-1967 CJ3B, 1955-1971 CJ5, 1955-1971, Pitman Arm [134 CI]	18006.30
1976-1983 CJ5, 1976-1986 CJ7, 1981-1986 CJ8, Pitman Arm (Manual)	18006.02
1976-1983 CJ5, 1976-1986 CJ7, 1981-1986 CJ8, Pitman Arm (Power)	18006.01
1976-1983 CJ5, 1976-1986 CJ7, 1981-1986 CJ8, Pitman Arm (Power), With Up to 4" Lift	18006.51
1984-2001 Cherokee, Pitman Arm (Power)	18006.08
1987-1995 Wrangler, Pitman Arm (Manual)	18006.04
1987-1995 Wrangler, Pitman Arm (Power)	18006.03
1987-2006 Wrangler, Pitman Arm (Power), With 4" -6" Lift	18006.50
1993-1998 Grand Cherokee, Pitman Arm (Power)	18006.09
1997-2006 Wrangler, Pitman Arm (Manual)	18006.06
1997-2006 Wrangler, Pitman Arm (Power)	18006.05
2007-2014 Wrangler, Pitman Arm (LHD)	18006.11
1999-2004 Grand Cherokee, Pitman Arm (Power)	18006.10

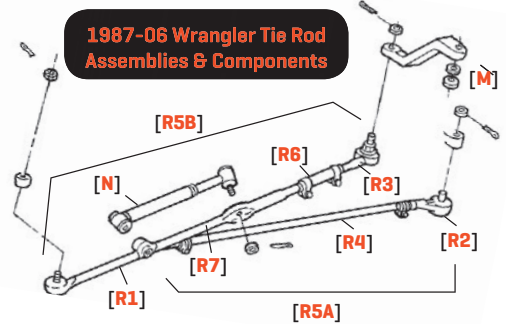
N. Steering Stabilizers	Part#
1974-1991 Cherokee / Grand Wagoneer, Steering Stabilizer	18040.02
1955-1983 CJ5, 1955-1975 CJ6, 1976-1986 CJ7, 1981-1986 CJ8, Steering Stabilizer	18040.01
1984-2001 Cherokee, 1987-2006 Wrangler, 1993-1998 Grand Cherokee, Steering Stabilizer	18040.03
1994-2004 Grand Cherokee, Steering Stabilizer	18040.04
2007-2014 Wrangler, Steering Stabilizer	18040.05

O. Steering Knuckle Components	Part#
1941-1945 MB, 1941-1945 Ford GPW, 1945-1949 CJ2A, 1948-1953 CJ3A, 1950-1952 M38, 1953-1967 CJ3B, 1953-1971 M38A1, 1955-1971 CJ5, 1955-1971, Steering Knuckle, Left	18026.01
1941-1945 MB, 1941-1945 Ford GPW, 1945-1949 CJ2A, 1948-1953 CJ3A, 1950-1952 M38, 1953-1967 CJ3B, 1953-1971 M38A1, 1955-1971 CJ5, 1955-1971, Steering Knuckle, Right	18026.02
1941-1945 MB, 1941-1945 Ford GPW, 1945-1949 CJ2A, 1948-1953 CJ3A, 1950-1952 M38, 1953-1967 CJ3B, 1953-1971 M38A1, 1955-1971 CJ5, 1955-1971, Steering Knuckle Seal Kit, LH or RH	18026.03
1941-1945 MB, 1941-1945 Ford GPW, 1945-1949 CJ2A, 1948-1953 CJ3A, 1950-1952 M38, 1953-1967 CJ3B, 1953-1971 M38A1, 1955-1971 CJ5, 1955-1971, Steering Knuckle King Pin Bearing Cap, LH or RH	18026.04
1941-1945 MB, 1941-1945 Ford GPW, 1945-1949 CJ2A, 1948-1953 CJ3A, 1950-1952 M38, 1953-1967 CJ3B, 1953-1971 M38A1, 1955-1971 CJ5, 1955-1971, Steering Knuckle King Pin Bearing, LH or RH	18026.05
1941-1945 MB, 1941-1945 Ford GPW, 1945-1949 CJ2A, 1948-1953 CJ3A, 1950-1952 M38, 1953-1967 CJ3B, 1953-1971 M38A1, 1955-1971 CJ5, 1955-1971, Steering Knuckle King Pin Bearing, LH or RH	18026.06
1941-1945 MB, 1941-1945 Ford GPW, 1945-1949 CJ2A, 1948-1953 CJ3A, 1950-1952 M38, 1953-1967 CJ3B, 1953-1971 M38A1, 1955-1971 CJ5, 1955-1971, Steering Knuckle King Pin Bearing Shim Set, LH or RH	18026.07
1974-1991 Cherokee / Grand Wagoneer (SJ), Spindle Washer	16527.35
1974-1991 Cherokee / Grand Wagoneer (SJ), Spindle Inner Nut	16527.36
1974-1991 Cherokee / Grand Wagoneer (SJ), Spindle Outer Nut	16527.37

1941-71 MB, M38 & CJ Tie Rod Assemblies & Components

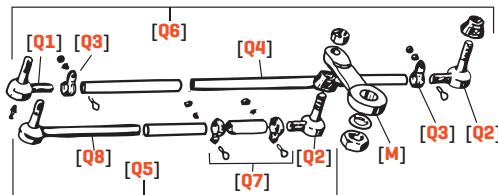


1987-06 Wrangler Tie Rod Assemblies & Components



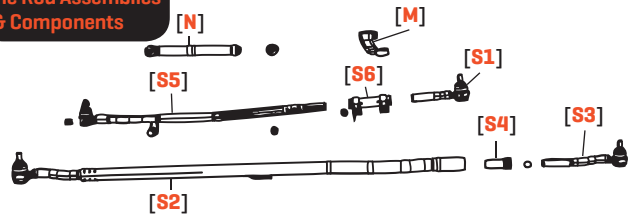
P. 1941-1971 Steering Linkage		Part#
3	1941-1945 MB, 1941-1945 Ford GPW, 1948-1949 CJ2A, 1948-1949 CJ3A, 1953-1967 CJ3B, 1955-1971 CJ5, 1955-1971 CJ6, (134 CI), (Pitman Arm)	18006.30
1	CJ5, 1955-1971 CJ6, Steering Drag Link (134 CI), [Runs from Pitman Arm to Bellcrank] *	18041.01
1	1941-1945 MB, 1941-1945 Ford GPW, 1945-1948 CJ2A, Steering Drag Link, [Runs from Pitman Arm to Bellcrank] +	18041.03
2	1948-1949 CJ2A, 1948-1949 CJ3A, 1953-1967 CJ3B, 1955-1971 CJ5, 1955-1971 CJ6, Steering Drag Link Repair Kit (134 CI)	18041.02
5	1941-1945 MB, 1941-1945 Ford GPW, 1945-1948 CJ2A, Steering Drag Link Repair Kit +	18042.02
5	1948-1949 CJ2A, 1948-1949 CJ3A, 1953-1967 CJ3B, 1955-1971 CJ5, 1955-1971 CJ6, Steering Drag Link Repair Link (134 CI), [Runs from Pitman Arm to Bellcrank] *	18042.03
7	1950-1952 M38, 1953-1971 M38A1, Tie Rod, Left, 3/4" Thread	18043.01
6	1950-1952 M38, 1953-1971 M38A1, Tie Rod, Right, 3/4" Thread	18043.02
7	1941-1945 MB, 1941-1945 Ford GPW, 1945-1949 CJ2A, 1948-1949 CJ3A, 1953-1967 CJ3B, 1955-1971 CJ5, 1955-1971 CJ6, Tie Rod, Left, 1 1/16" Thread	18043.03
6	1941-1945 MB, 1941-1945 Ford GPW, 1945-1949 CJ2A, 1948-1949 CJ3A, 1953-1967 CJ3B, 1955-1971 CJ5, 1955-1971 CJ6, Tie Rod, Right, 1 1/16" Thread	18043.04
8	1950-1952 M38, 1953-1971 M38A1, Tie Rod, RH Inner	18045.01
8	1941-1945 MB, 1941-1945 Ford GPW, 1945-1949 CJ2A, 1948-1949 CJ3A, 1953-1967 CJ3B, 1955-1971 CJ5, 1955-1971 CJ6, Tie Rod, RH Inner	18045.02
9	1945-1949 CJ2A, 1948-1953 CJ3A, 1953-1967 CJ3B, 1955-1971 CJ5, 1955-1971 CJ6, Tie Rod Assembly, Right (24.5")	18046.01
10	1945-1949 CJ2A, 1948-1953 CJ3A, 1953-1967 CJ3B, 1955-1971 CJ5, 1955-1971 CJ6, Tie Rod Assembly, Left (19.75")	18046.02
11	1945-1949 CJ2A, 1948-1953 CJ3A, 1953-1967 CJ3B, 1955-1971 CJ5, 1955-1971 CJ6, Tie Rod Adjusting Sleeve (4 Required)	18047.01
12	1945-1949 CJ2A, 1948-1953 CJ3A, 1953-1967 CJ3B, 1955-1971 CJ5, 1955-1971 CJ6, Tie Rod Boot	18048.01

1972-86 CJ Tie Rod Assemblies & Components



Q. 1972-1986 CJ Steering Linkage		Part#
1	1972-1983 CJ5, 1972-1975 CJ6, 1976-1986 CJ7, 1981-1986 CJ8, Tie Rod End, Left	18043.03
2	1972-1983 CJ5, 1972-1975 CJ6, 1976-1986 CJ7, 1981-1986 CJ8, Tie Rod End, Right (2 Required)	18043.04
3	1972-1983 CJ5, 1972-1975 CJ6, 1976-1986 CJ7, 1981-1986 CJ8, Tie Rod End Clamp (4 Required)	18047.01
4	1972-1983 CJ5, 1972-1975 CJ6, 1976-1981 CJ7, 1981 CJ8, Tie Rod Assembly (40.50"), Knuckle to Knuckle	18050.01
4	1982-1986 CJ7, 1982-1986 CJ8, Tie Rod Assembly (43.75"), Knuckle to Knuckle	18050.02
5	1972-1983 CJ5, 1972-1975 CJ6, 1976-1981 CJ7, 1981 CJ8, Tie Rod Assembly, Pitman Arm to Steering Arm (20"), Heavy Duty w Ends UPGRADE	18050.56
5	1972-1983 CJ5, 1972-1975 CJ6, 1976-1981 CJ7, 1981 CJ8, Tie Rod Assembly, Pitman Arm to Steering Arm (28-1/8") w Ends	18054.01
5	1982-86 CJ7, 1982-1986 CJ8, Tie Rod Assembly, Pitman Arm to Steering Arm w Ends	18054.02
6	1982-86 CJ7, 1982-1986 CJ8, Long Tie Rod Tube (39.25") w Ends UPGRADE	18050.53
6	1972-1983 CJ5, 1972-1975 CJ6, 1976-1981 CJ7, 1981 CJ8, Tie Rod Assembly (36"), Knuckle to Knuckle, Heavy Duty w Ends UPGRADE	18050.54
6	1972-1983 CJ5, 1972-1975 CJ6, 1976-1981 CJ7, Long Tie Rod Tube (40.05") Assembly Kit	18052.01
6	1982-86 CJ7, 1982-1986 CJ8, Long Tie Rod Tube (43.75") Assembly Kit	18052.02
7	1972-1983 CJ5, 1972-1975 CJ6, 1976-1986 CJ7, 1981-1986 CJ8, Tie Rod Adjuster Sleeve	18056.01
8	1972-1983 CJ5, 1972-1975 CJ6, 1976-1981 CJ7, Long Drag Link	18058.01
8	1982-86 CJ7, 1982-1986 CJ8, Long Tie Rod	18058.02

2007-14 Wrangler Tie Rod Assemblies & Components



S. 2007-2011 Wrangler Steering Linkage		Part#
1	2007-2014 Wrangler, Tie Rod, LH, To Pitman Arm	18044.01
2	2007-2014 Wrangler, Tie Rod Tube, Knuckle to Knuckle	18044.02
3	2007-2014 Wrangler, Tie Rod, LH, Outer, To Knuckle	18044.03
4	2007-2014 Wrangler, Tie Rod Tube Adjusting Sleeve, To LH Outer Tied Rod	18044.04
6	2007-2014 Wrangler, Tie Rod Drag Adjusting Sleeve	18044.06
	2007-2014 Wrangler, Sway Bar End Link (Rear) LH or RH	18044.30

* CJ2A After Serial 199079 + CJ2A Before Serial 199079

Steering

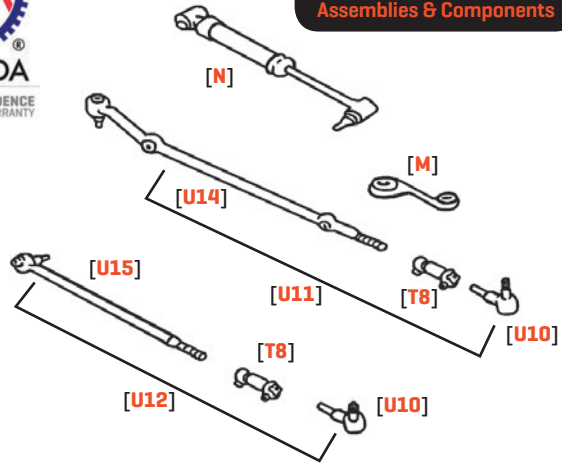
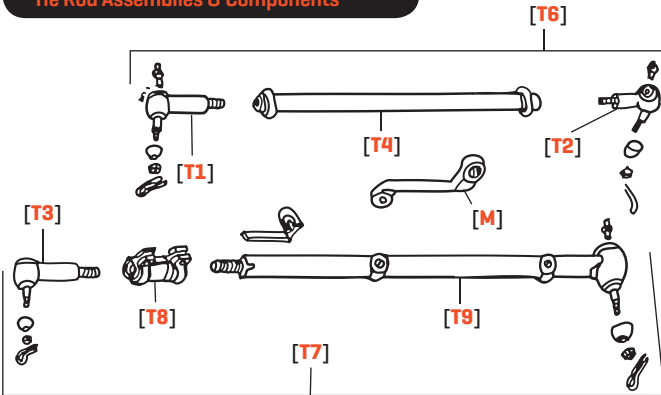


[T5] 18050.51

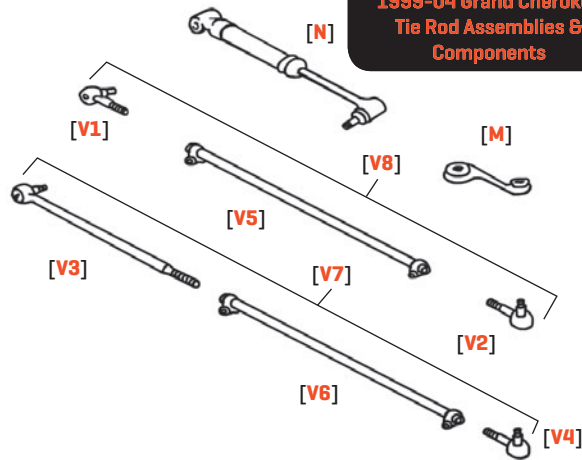


1993-98 [5.2L or 5.9L] Grand Cherokee Tie Rod Assemblies & Components

1984-2001 Cherokee & Grand Cherokee Tie Rod Assemblies & Components



1999-04 Grand Cherokee Tie Rod Assemblies & Components



T. 1984-2001 Cherokee & 1993-1998 Grand Cherokee 6 Cylinder Steering Linkage

	Part#
1 1984-1990 Cherokee, Tie Rod End, LH Thread, At Pitman Arm	18043.05
1 1991-2001 Cherokee, 1993-1998 Grand Cherokee [4.0L], Tie Rod End, LH Thread, At Pitman Arm	18043.06
2 1984-2001 Cherokee, Tie Rod, Inner, RH Thread	18043.07
2 1993-1998 Grand Cherokee [4.0L], Tie Rod, Inner, RH Thread	18043.08
3 1991-2001 Cherokee, 1993-1998 Grand Cherokee, Tie Rod, Left, LH Thread	18043.10
3 1984-1990 Cherokee, Tie Rod, Left, LH Thread	18043.11
4 1991-2001 Cherokee, 1993-1998 Grand Cherokee [4.0L], Drag Link Tube [34.5"], Left to Tie Rod	18050.05
4 1984-1990 Cherokee, Drag Link Tube [36.5"], Left to Tie Rod	18050.06
5 1984-2001 Cherokee, Tie Rod Kit, Heavy Duty UPGRADE	18050.82
6 1993-1998 Grand Cherokee, Drag Link Kit	18052.05
6 1984-1990 Cherokee, Drag Link Kit	18052.06
6 1991-2001 Cherokee, Drag Link Kit	18052.07
7 1984-1990 Cherokee, Tie Rod Kit	18054.06
7 1991-2001 Cherokee, Tie Rod Kit	18054.07
7 1993-1998 Grand Cherokee, Tie Rod Kit	18054.08
8 1991-2001 Cherokee, 1993-1998 Grand Cherokee [4.0L] Tie Rod Adjusting Sleeve	18056.03
8 1984-1990 Cherokee, Tie Rod Adjusting Sleeve	18056.04
8 1993-1998 Grand Cherokee [5.2L & 5.9L], Adjusting Sleeve	18056.03
9 1984-1990 Cherokee, Tie Rod, Right, Outer	18058.06
9 1991-2001 Cherokee, Tie Rod, Right, Outer	18058.07
9 1993-1998 Grand Cherokee, Tie Rod, Right, Outer	18058.08
1984-1990 Cherokee, Track Bar, With Bushings	18205.03
1991-2001 Cherokee, 1993-1998 Grand Cherokee [4.0L], Track Bar, With Bushings	18205.04
1991-2001 Cherokee, 1993-1998 Grand Cherokee [4.0L], Adjustable Track Bar, With Bushings UPGRADE	18205.05

U. 1993-1998 V8 Grand Cherokee Steering Linkage

	Part#
10 1993-1998 Grand Cherokee [5.2L & 5.9L], Tie Rod, LH Outer, LH Thread	18043.10
11 1993-1998 Grand Cherokee [5.2L & 5.9L], Tie Rod Kit, Heavy Duty UPGRADE	18050.82
12 1993-1998 Grand Cherokee [5.2L & 5.9L], Tie Rod Kit	18052.08
13 1993-1998 Grand Cherokee [5.2L & 5.9L], Drag Link Kit	18054.09
14 1993-1998 Grand Cherokee [5.2L & 5.9L], Tie Rod, Outer to Knuckle	18058.09
15 1993-1998 Grand Cherokee [5.2L & 5.9L], Drag Link	18058.10
16 1993-1998 Grand Cherokee [5.2L & 5.9L], Adjustable Track Bar, With Bushings	18205.05

V. 1999-2010 Grand Cherokee Steering Linkage

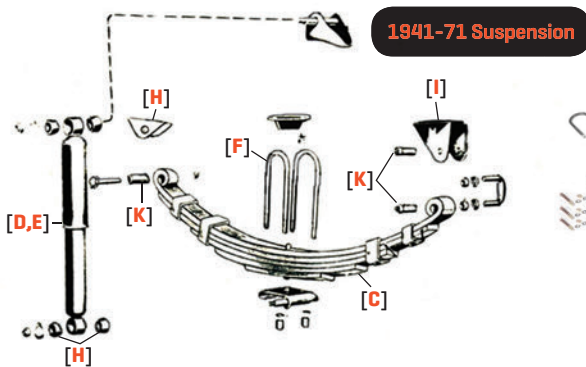
	Part#
1 1999-2004 Grand Cherokee, Tie Rod, Outer RH To Drag Link	18043.12
2 1999-2004 Grand Cherokee, Tie Rod, LH At Pitman Arm	18043.13
3 1999-2004 Grand Cherokee, Tie Rod, Outer RH To Knuckle [Long]	18043.14
4 1999-2004 Grand Cherokee, Tie Rod, Outer LH To Knuckle	18043.15
5 1999-2004 Grand Cherokee, Drag Link	18050.08
6 1999-2004 Grand Cherokee, Tie Rod Tube, Knuckle to Knuckle	18050.09
7 1999-2004 Grand Cherokee, Tie Rod Kit	18052.09
8 1999-2004 Grand Cherokee, Drag Link Kit	18052.10
1999-2004 Grand Cherokee, Track Bar	18205.06
2005-2010 Grand Cherokee, Tie Rod, RH	18283.20
2005-2010 Grand Cherokee, Tie Rod, LH	18283.21
2005-2010 Grand Cherokee, Sway Bar End Link [Front], LH or RH	18283.22

W. 2002-2007 Liberty Steering Linkage

	Part#
2002-05 Liberty, Outer Tie Rod End, RH	18043.16
2002-05 Liberty, Outer Tie Rod End, LH	18043.17

X. 1974-1991 [SJ] Steering Linkage

	Part#
1974-1991 Cherokee / Grand Cherokee [SJ], Tie Rod, LH, To Pitman Arm	18043.21
1974-1991 Cherokee / Grand Cherokee [SJ], Tie Rod [46.5"], RH, To Knuckle	18043.23
1974-1991 Cherokee / Grand Cherokee [SJ], Tie Rod, LH, To Knuckle	18043.24
1974-1986 Cherokee / Grand Cherokee [SJ], Tie Rod [50.5"], RH, To Knuckle	18043.25



1941-71 Suspension



1972-75 Suspension

A. Suspension Kits	Part#
1941-1945 MB, 1941-1945 Ford GPW, 1945-1949 CJ2A, 1948-1953 CJ3A, 1950-1952 M38, 1953-1967 CJ3B, Master Suspension Kit	18290.01
1955-1958 CJ5, 1955-1958 CJ6, Master Suspension Kit	18290.02
1959-1975 CJ5, 1959-1975 CJ6, Master Suspension Kit	18290.03
1976-1981 CJ5, 1976-1981 CJ7, 1981 CJ8, Master Suspension Kit	18290.04
1982-1983 CJ5, 1982-1986 CJ7, 1982-1986 CJ8, Master Suspension Kit	18290.05
1987-1995 Wrangler, Master Suspension Kit	18290.06

B. Ball Joints	Part#
1972-1983 CJ5, 1972-1975 CJ6, 1976-1986 CJ7, 1981-1986 CJ8, 1974-1991 Cherokee / Grand Wagoneer (SJ), Ball Joint Kit, Includes: 1 Upper & 1 Lower Ball Joint, LH or RH	18036.01
1972-1983 CJ5, 1972-1975 CJ6, 1976-1986 CJ7, 1981-1986 CJ8, 1974-1991 Cherokee / Grand Wagoneer (SJ), Upper Ball Joint, LH or RH	18037.01
1972-1983 CJ5, 1972-1975 CJ6, 1976-1986 CJ7, 1981-1986 CJ8, 1974-1991 Cherokee / Grand Wagoneer (SJ), Lower Ball Joint, LH or RH	18038.01
1984-2001 Cherokee, 1987-2006 Wrangler, 1993-1998 Grand Cherokee, Ball Joint Kit, Includes: 1 Upper & 1 Lower Ball Joint, LH or RH	18036.02
1984-2001 Cherokee, 1987-2006 Wrangler, 1993-1998 Grand Cherokee, Ball Joint Kit, Includes: 1 Upper & 1 Lower Ball Joint, LH or RH, Spicer Brand	18036.03
1984-2001 Cherokee, 1987-2006 Wrangler, 1993-1998 Grand Cherokee, Lower Ball Joint, LH or RH	18038.02
1984-2001 Cherokee, 1987-2006 Wrangler, 1993-1998 Grand Cherokee, Upper Ball Joint, LH or RH	18037.02
1999-2004 Grand Cherokee, Ball Joint Kit (Front), Includes: 1 Upper & 1 Lower Ball Joint, LH or RH, Spicer Brand	18036.04
2002-2007 Liberty, Lower Ball Joint (Front), LH or RH	18038.03
2002-2007 Liberty, Upper Ball Joint (Rear)	18037.03
2005-2010 Grand Cherokee, Lower Ball Joint (Front)	18036.07
2007-2011 Wrangler, Ball Joint Kit (Dana 30 or 44, Front, Includes: 1 Upper and 1 Lower (Does one side)	18036.05
1972-1983 CJ5, 1972-1975 CJ6, 1976-1986 CJ7, 1981-1986 CJ8, 1974-1991 Cherokee / Grand Wagoneer (SJ), Ball Joint Spanner Wrench	18039.01

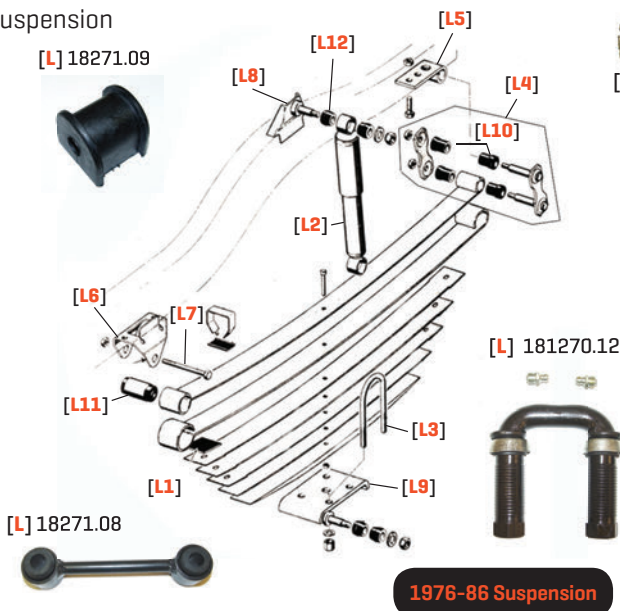
C. Leaf Springs	Part#
1941-1945 MB, 1941-1945 Ford GPW, 1945-1949 CJ2A, 1948-1953 CJ3A, 1950-1952 M38, 1953-1967 CJ3B, 1946-1964 Truck, 1946-1964 Station Wagon, Leaf Spring, Front, 8 Leaf	18201.01
1941-1945 MB, 1941-1945 Ford GPW, 1945-1949 CJ2A, 1948-1953 CJ3A, 1950-1952 M38, 1953-1967 CJ3B, 1946-1964 Truck, 1946-1964 Station Wagon, Leaf Spring, Rear, 9 Leaf	18202.01
1941-1945 MB, 1941-1945 Ford GPW, 1945-1949 CJ2A, 1948-1953 CJ3A, 1950-1952 M38, 1953-1967 CJ3B, 1946-1964 Truck, 1946-1964 Station Wagon, Leaf Spring, Front, 10 Leaf	18201.02
1952-1971 M38A1, 1955-1975 CJ5, 1955-1975 CJ6, Leaf Spring, Front, 5 Leaf	18201.05
1952-1971 M38A1, 1955-1975 CJ5, 1955-1975 CJ6, Leaf Spring, Front, 7 Leaf	18201.03
1952-1971 M38A1, 1955-1975 CJ5, 1955-1975 CJ6, Leaf Spring, Front, 9 Leaf	18202.02
1952-1971 M38A1, 1955-1975 CJ5, 1955-1975 CJ6, Leaf Spring, Front, 10 Leaf	18201.04
1952-1971 M38A1, 1955-1975 CJ5, 1955-1975 CJ6, Leaf Spring, Rear, 5 Leaf	18202.05
1946-1964 Truck, 1946-1964 Station Wagon, Leaf Spring, Rear, 9 Leaf	18202.04
1946-1964 Truck, 1946-1964 Station Wagon, Leaf Spring, Rear, 11 Leaf	18202.03

D. Front Shocks	Part#
1941-1945 MB, 1941-1945 Ford GPW, 1945-1949 CJ2A, 1946-1964 Truck, 1946-1964 Station Wagon, 1948-1953 CJ3A, 1950-1952 M38, 1952-1971 M38A1, 1953-1967 CJ3B, 1955-1975 CJ5, 1955-1975 CJ6, Shock Absorber, Front, Gas, Monroe Monro-Matic	18203.01
1941-1945 MB, 1941-1945 Ford GPW, 1945-1949 CJ2A, 1946-1964 Truck, 1946-1964 Station Wagon, 1948-1953 CJ3A, 1950-1952 M38, 1952-1971 M38A1, 1953-1967 CJ3B, 1955-1975 CJ5, 1955-1975 CJ6, Shock Absorber, Front, Hydraulic	18203.02

E. Rear Shocks	Part#
1941-1945 MB, 1941-1945 Ford GPW, 1945-1949 CJ2A, 1948-1953 CJ3A, 1950-1952 M38, Shock Absorber, Rear, Gas, Monroe Monro-Matic	18203.01
1941-1945 MB, 1941-1945 Ford GPW, 1945-1949 CJ2A, 1948-1953 CJ3A, 1950-1952 M38, Shock Absorber, Rear, Hydraulic	18203.02
1952-1971 M38A1, 1953-1967 CJ3B, 1955-1975 CJ5, 1955-1975 CJ6, Shock Absorber, Front, Gas, Monroe Monro-Matic	18203.04
1952-1971 M38A1, 1953-1967 CJ3B, 1955-1975 CJ5, 1955-1975 CJ6, Shock Absorber, Front, Hydraulic	18203.05
1946-1964 Truck, 1946-1964 Station Wagon (Without Planar Suspension), Shock, Rear (Pair), Gas, Monroe Monro-Matic	18203.06
1946-1964 Station Wagon (With Planar Suspension), 1948-1951 Jeepster, Shock, Rear (Pair), Gas, Monroe Monro-Matic	18203.07

F. U-Bolts & Shock Plates	Part#
1941-1945 MB, 1941-1945 Ford GPW, Shock Plate (Rear), LH	12021.53
1941-1945 MB, 1941-1945 Ford GPW, 1945-1949 CJ2A, 1948-1953 CJ3A, 1950-1952 M38, 1952-1971 M38A1, 1953-1967 CJ3B, 1955-1971 CJ5, 1955-1971 CJ6, U-Bolt, Front, large [1 Required]	18204.03
1941-1945 MB, 1941-1945 Ford GPW, Shock Plate (Rear), RH	12021.52
1941-1945 MB, 1941-1945 Ford GPW, 1945-1949 CJ2A, 1948-1953 CJ3A, 1950-1952 M38, 1952-1971 M38A1, 1953-1967 CJ3B, 1955-1971 CJ5, 1955-1971 CJ6, U-Bolt, Front, Small [3 Required]	18204.04
1941-1945 MB, 1941-1945 Ford GPW, 1945-1949 CJ2A, 1948-1953 CJ3A, 1953-1967 CJ3B, 1955-1971 CJ5, 1955-1971 CJ6, Shock Absorber, Front, Hydraulic	18204.01
1941-1945 MB, 1941-1945 Ford GPW, 1945-1949 CJ2A, 1946-1964 Truck, 1946-1964 Station Wagon, U-Bolt, Front, Large [1 Required]	18204.11
1946-1964 Truck, 1946-1964 Station Wagon, U-Bolt, Front, Small [3 Required]	18204.12
1946-1964 Truck, 1946-1964 Station Wagon, U-Bolt, Rear [4 Required]	18204.05
1950-1952 M38, 1952-1971 M38A1, U-Bolt, Rear [4 Required]	18204.02
1972-1975 CJ5, 1972-1975 CJ6, U-Bolt, 2-9/16" ID	18204.06
1972-1975 CJ5, 1972-1975 CJ6, U-Bolt, 2-3/4" ID, For Dana 44	18204.08
1972-1975 CJ5, 1972-1975 CJ6, U-Bolt, 3-1/4" ID	18204.07

Suspension



G. Spring Bolts

	Part#
1941-1945 MB, 1941-1945 Ford GPW, 1945-1949 CJ2A, 1948-1953 CJ3A, 1950-1952 M38, 1953-1967 CJ3B, 1946-1964 Truck, 1946-1964 Station Wagon, Leaf Spring Bolt	18270.01

H. Pivot Bolts

	Part#
1941-1945 MB, 1941-1945 Ford GPW, Front Torque Reaction Bolt (Medium), Torque Spring to Shackle	18270.24
1941-1945 MB, 1941-1945 Ford GPW, Front Torque Reaction Bolt (Long), Leaf Spring to Shackle	18270.25
1952-1971 M38A1, 1953-1967 CJ3B, 1955-1966 CJ5, 1955-1966 CJ6, Pivot Bolt	18270.02
1941-1945 MB, 1941-1945 Ford GPW, 1945-1949 CJ2A, 1948-1953 CJ3A, 1950-1952 M38, 1952-1971 M38A1, 1953-1967 CJ3B, 1955-1958 CJ5, 1955-1958 CJ6, Pivot Bracket, Spring to Frame, (4 Required)	18270.05
1950-71 M38 & M38A1, Pivot Bracket	18270.05
1959-1972 CJ5, 1959-1972 CJ6, Pivot Bracket, Spring to Frame, Front or Rear	18270.06

I. Shackle Brackets

	Part#
1941-1945 MB, 1941-1945 Ford GPW, 1945-1949 CJ2A, 1948-1953 CJ3A, 1950-1952 M38, 1952-1971 M38A1, 1953-1967 CJ3B, 1955-1958 CJ5, 1955-1958 CJ6, Shackle Bracket, Spring to Frame, Front or Rear	18270.03
1959-1975 CJ5, 1959-1975 CJ6, Shackle Bracket, Spring to Frame, Front or Rear	18270.04

J. Spring Plates

	Part#
1952-1971 M38A1, 1955-1971 CJ5, 1955-1971 CJ6, Lower Shock Mount Plate, Front, LH	18270.07
1952-1971 M38A1, 1955-1971 CJ5, 1955-1971 CJ6, Lower Shock Mount Plate, Front, RH	18270.08
1952-1971 M38A1, 1955-1971 CJ5, 1955-1971 CJ6, Lower Shock Mount Plate, Rear, RH	18270.09
1952-1971 M38A1, 1955-1971 CJ5, 1955-1971 CJ6, Lower Shock Mount Plate, Rear, LH	18270.10

K. Leaf Spring Bushings

	Part#
1941-1945 MB, 1941-1945 Ford GPW, 1945-1949 CJ2A, 1946-1964 Truck, 1946-1964 Station Wagon, 1948-1951 Jeepster, 1948-1953 CJ3A, 1950-1952 M38, 1952-1971 M38A1, 1953-1967 CJ3B, 1955-1971 CJ5, 1955-1971 CJ6, Axle Snubber, (4 Required)	18270.11
1941-1945 MB, 1941-1945 Ford GPW, 1945-1949 CJ2A, 1948-1953 CJ3A, 1950-1952 M38, 1952-1971 M38A1, 1953-1967 CJ3B, 1955-1958 CJ5, 1955-1958 CJ6, Pivot Eye Bushing (4 Required)	18270.17
1941-1945 MB, 1941-1945 Ford GPW, Front Torque Reaction Bushing	18270.26
1946-1964 Truck, 1946-1964 Station Wagon, Pivot Bushing (4 Required)	18270.27
1950-71 M38, M38A1, Front Leaf Spring Front Or Rear Eye (2 per eye)	18270.19
1952-1971 M38A1, 1953-1967 CJ3B, 1955-1975 CJ5, 1955-1975 CJ6, Leaf Spring Eye Bushing, Front or Rear	18270.18

L. 1976-1986 CJ Suspension Components		Part#
1941-1945 MB, 1941-1945 Ford GPW, 1945-1949 CJ2A, 1948-1953 CJ3A, 1950-1952 M38, 1952-1971 M38A1, 1953-1967 CJ3B, 1955-1958 CJ5, 1955-1958 CJ6, Shackle, LH Thread		18270.12
1941-1945 MB, 1941-1945 Ford GPW, 1945-1949 CJ2A, 1948-1953 CJ3A, 1950-1952 M38, 1952-1971 M38A1, 1953-1967 CJ3B, 1955-1958 CJ5, 1955-1958 CJ6, Shackle, RH Thread		18270.13
1953-71 M381 Shackle Kit (right hand shackle thread)		18270.14
1959-1975 CJ5, 1959-1975 CJ6, Shackle Kit, Front or Rear		18270.15
1959-1975 CJ5, 1959-1975 CJ6, Shackle Kit, Front or Rear, Heavy Duty (Greaseable)		18270.16
1	1976-1983 CJ5, 1976-1986 CJ7, 1981-1986 CJ8, Leaf Spring, Front, 5 Leaf	18201.10
1	1976-1983 CJ5, 1976-1986 CJ7, 1981-1986 CJ8, Leaf Spring, Front, 6 Leaf	18201.11
1	1976-1983 CJ5, 1976-1986 CJ7, 1981-1986 CJ8, Leaf Spring, Front, 8 Leaf	18201.12
1	1976-1983 CJ5, 1976-1986 CJ7, 1981-1986 CJ8, Leaf Spring, Rear, 4 Leaf	18202.10
1	1976-1983 CJ5, 1976-1986 CJ7, 1981-1986 CJ8, Leaf Spring, Rear, 6 Leaf	18202.11
2	1976-1981 CJ5, 1976-1981 CJ7, 1981 CJ8, Shock Absorber, Front, Gas, Monroe Mono-Matic	18203.01
2	1976-1981 CJ5, 1976-1981 CJ7, 1981 CJ8, Shock Absorber, Front, Hydraulic	18203.02
2	1982-1983 CJ5, 1982-1986 CJ7, 1982-1986 CJ8, Shock Absorber, Front, Gas, Monroe Mono-Matic	18203.08
2	1982-1983 CJ5, 1982-1986 CJ7, 1982-1986 CJ8, Shock Absorber, Front, Hydraulic	18203.09
2	1976-1983 CJ5, 1976-1986 CJ7, 1981-1986 CJ8, Shock Absorber, Front, Gas, Monroe Mono-Matic	18203.04
2	1976-1983 CJ5, 1976-1986 CJ7, 1981-1986 CJ8, Shock Absorber, Front, Hydraulic	18203.05
3	1976-1983 CJ5, 1976-1986 CJ7, 1981-1986 CJ8, U-Bolt, 2-9/16" ID	18204.06
3	1976-1983 CJ5, 1976-1986 CJ7, 1981-1986 CJ8, U-Bolt, 3-1/4" ID	18204.07
3	1976-1983 CJ5, 1976-1986 CJ7, 1981-1986 CJ8, U-Bolt, 2-3/4" ID, For Dana 44	18204.08
4	1976-1983 CJ5, 1976-1986 CJ7, 1981-1986 CJ8, Shackle Kit, Front, With Bushings	18271.01
4	1976-1983 CJ5, 1976-1986 CJ7, 1981-1986 CJ8, Shackle Kit, Rear, With Bushings	18271.02
5	1976-1983 CJ5, 1976-1986 CJ7, 1981-1986 CJ8, Shackle End Spring Hanger, Rear	18271.03
5	1976-1983 CJ5, 1976-1986 CJ7, 1981-1986 CJ8, Shackle End Spring Hanger, Front	18271.04
6	1976-1983 CJ5, 1976-1986 CJ7, 1981-1986 CJ8, Main Eye Spring Hanger, Front or Rear	18271.05
7	1976-1983 CJ5, 1976-1986 CJ7, 1981-1986 CJ8, Leaf Spring Eye Bolt, Front or Rear	18271.06
7A	1976-1983 CJ5, 1976-1986 CJ7, 1981-1986 CJ8, Axle Snubber, Front or Rear	18271.07
7B	1976-1983 CJ5, 1976-1986 CJ7, 1981-1986 CJ8, Sway Bar End Link, Front With Bushing (2 Required)	18271.08
7C	1976-1983 CJ5, 1976-1986 CJ7, 1981-1986 CJ8, Sway Bar Bushing, Front (7/8")	18271.09
8	1976-1981 CJ5, 1976-1981 CJ7, 1981 CJ8, Shock Mount Bracket, Front With Narrow track Axle	18271.10
9	1976-1983 CJ5, 1976-1986 CJ7, 1981-1986 CJ8, Leaf Spring Mounting Kit, Rear For AMC 20 or Dana 44	18271.11
9	1976-1983 CJ5, 1976-1986 CJ7, 1981-1986 CJ8, Spring Plate (Rear), LH	18271.12
9	1976-1983 CJ5, 1976-1986 CJ7, 1981-1986 CJ8, Leaf Spring Mounting Kit, Front	18271.13
9	1976-1983 CJ5, 1976-1986 CJ7, 1981-1986 CJ8, Spring Plate (Rear), RH	18271.14
9	1976-1983 CJ5, 1976-1986 CJ7, 1981-1986 CJ8, Spring Plate (Front), LH	18271.15
9	1976-1983 CJ5, 1976-1986 CJ7, 1981-1986 CJ8, Spring Plate (Front), RH	18271.16
10	1976-1983 CJ5, 1976-1986 CJ7, 1981-1986 CJ8, Leaf Spring Eye Bushing (Front), Front Position (4 Required)	18271.17
10	1976-1983 CJ5, 1976-1986 CJ7, 1981-1986 CJ8, Leaf Spring Eye Bushing (Front), Rear Position (2 Required)	18271.19
11	1976-1983 CJ5, 1976-1986 CJ7, 1981-1986 CJ8, Leaf Spring Eye Bushing (Rear), Front Position (2 Required)	18271.18
11	1976-1983 CJ5, 1976-1986 CJ7, 1981-1986 CJ8, Leaf Spring Eye Bushing (Rear), Rear Position (4 Required)	18271.20
12	1976-1983 CJ5, 1976-1986 CJ7, 1981-1986 CJ8, Shock Grommet (4 Required Per Shock)	18270.20
	1976-1995 CJ & Wrangler, Nut, U-Bolt 1/2-20 Inch NEW	18204.13

Suspension



M. 1987-1995 Wrangler Suspension Components

	Part#
1987-1995 Wrangler, Leaf Spring [Front], 4 Leaf	18201.20
1987-1995 Wrangler, Leaf Spring [Rear], 5 Leaf	18201.23
1987-1995 Wrangler, Leaf Spring [Rear], 6 Leaf	18202.22
1987-1995 Wrangler, Shock Absorber, Front, Gas, Monroe Monro-Matic	18203.20
1987-1995 Wrangler, Shock Absorber, Front, Gas	18203.21
1987-1995 Wrangler, Shock Absorber, Rear, Gas, Monroe Monro-Matic	18203.22
1987-1995 Wrangler, Shock Absorber, Rear, Gas	18203.23
1987-1995 Wrangler, U-Bolt [2-9/16"]	18204.06
1987-1995 Wrangler, U-Bolt [2-3/4"]	18204.08
1987-1995 Wrangler, U-Bolt [3-1/4"]	18204.07
1987-1995 Wrangler, Leaf Spring Main Eye Bolt, Front Or Rear	18271.06
1987-1995 Wrangler, Bushing Spacer, Front or Rear	18272.01
1987-1995 Wrangler, Leaf Spring Eye Bushing [Front], Front Position [4 Required]	18272.02
1987-1995 Wrangler, Leaf Spring Eye Bushing [Front], Rear Position [2 Required]	18271.19
1987-1995 Wrangler, Leaf Spring Eye Bushing [Front], Rear Position [2 Required], Clevite Brand	18207.08
1987-1995 Wrangler, Leaf Spring Eye Bushing [Rear], Front Position [2 Required]	18271.19
1987-1995 Wrangler, Leaf Spring Eye Bushing [Rear], Front Position [2 Required], Clevite Brand	18207.08
1987-1995 Wrangler, Leaf Spring Eye Bushing [Rear], Rear Position [4 Required]	18272.02
1987-1995 Wrangler, Track Bar [Front]	18205.01
1987-1995 Wrangler, Track Bar [Rear]	18205.02
1987-1995 Wrangler, Sway Bar Cushion [Front]	18272.03
1987-1995 Wrangler, Axle Snubber [Front]	18272.04
1987-1995 Wrangler, Axle Snubber [Rear]	18272.05
1987-1995 Wrangler, Shackle Plate, Front or rear [8 Required]	18272.08
1987-1995 Wrangler, Lower Spring Plate, Front, RH	18272.09
1987-1995 Wrangler, Lower Spring Plate, Front, LH	18272.11
1987-1995 Wrangler, Lower Spring Plate, Rear, LH	18272.10
1987-1995 Wrangler, Lower Spring Plate, Rear, RH	18272.12
1987-1995 Wrangler, Shock Grommet	18272.13
1987-1995 Wrangler, Leaf Spring Shackle Kit NEW	18271.22

N. 1997-2014 Wrangler Suspension Components

	Part#
1997-2006 Wrangler, Shock Absorber, Front, Gas, Monroe Monro-Matic	18203.30
1997-2006 Wrangler, Shock Absorber, Front, Gas	18203.31
1997-2006 Wrangler, Shock Absorber, Rear, Gas, Monroe Monro-Matic	18203.32
1997-2006 Wrangler, Shock Absorber, Rear, Gas	18203.33
1997-2006 Wrangler, Coil Spring, Front, Each	18274.01
1997-2006 Wrangler, Coil Spring, Rear, Each	18274.02
1997-2006 Wrangler, Upper Control Arm [Front]	18280.01
1997-2006 Wrangler, Upper Control Arm [Rear]	18282.04
1997-2006 Wrangler, Lower Control Arm Mount [Front], Heavy Duty	18273.01
1997-2006 Wrangler, Lower Control Arm [Front]	18282.23
2007-2014 Wrangler, Shock Absorber, Front	18203.24
2007-2014 Wrangler, Shock Absorber, Rear	18203.25
2007-2014 Wrangler, Lower Control Arm [Front]	18285.11
2007-2014 Wrangler, Upper Control Arm [Front]	18285.10
2007-2014 Wrangler, Upper Control Arm [Rear]	18285.12
2007-2014 Wrangler, Lower Control Arm [Rear] NEW	18285.14
2007-2014 Wrangler, Swaybar Bushing [Front] NEW	18283.14
2007-2014 Wrangler, Upper Control Arm, Axle End [Front] NEW	18283.15

O. 1984-2001 Cherokee Suspension Components

	Part#
1984-1990 Cherokee, Shock Absorber, Front	18203.50
1991-2001 Cherokee, Shock Absorber, Front	18203.51
1984-2001 Cherokee, Shock Absorber, Rear	18203.52
1984-2001 Cherokee, Shock Grommet	18272.13
1991-2001 Cherokee, Upper Control Arm [Front]	18280.01
1984-1990 Cherokee, Upper Control Arm Bushing [Front]	18280.03
1984-1990 Cherokee, Upper Control Arm Bushing [Front], Clevite Brand	18207.01
1991-2001 Cherokee, Upper Control Arm Bushing [Front]	18280.04
1991-2001 Cherokee, Upper Control Arm Bushing [Front], Clevite Brand	18207.03
1984-2001 Cherokee, Lower Control Arm [Front]	18280.05
1984-2001 Cherokee, Lower Control Arm Bushing [Front]	18280.06
1984-2001 Cherokee, Lower Control Arm Bushing [Front], Clevite Brand	18207.02
1984-2001 Cherokee, Leaf Spring Front Eye Bushing	18280.07
1984-2001 Cherokee, Leaf Spring Rear Eye Bushing	18280.08
1984-2001 Cherokee, Axle Bumper [Rear]	18280.09
1984-2001 Cherokee, Sway Bar Cushion [Rear]	18280.10
1991-2001 Cherokee, Sway Bar Link [Front], LH or RH	18280.11
1991-2001 Cherokee, Sway Bar Link Bushing [Front], LH or RH	18280.12
1984-1990 Cherokee, Track Bar [Front], With Bushings	18205.03
1991-2001 Cherokee, Track Bar [Front], With Bushings	18205.04
1984-1990 Cherokee, Adjustable Track Bar [Front], With Bushings	18205.05
1984-2001 Cherokee, Coil Spring, Front, Each	18280.13
1984-1989 Cherokee, Stabilizer Bushing [Front], Orange	18280.14
1984-1989 Cherokee, Stabilizer Bushing [Front], Brown	18280.15
1984-2001 Cherokee, Coil Spring Isolator, Front, Each	18205.16
1984-2001 Cherokee, Leaf Spring, Rear, Each	18280.17
1984-2001 Cherokee, Coil Spring Cushion, Front, LH or RH	18280.18
1984-2001 Cherokee, Sway Bar Bushing, Front, LH or RH	18280.10

Suspension



[Q] 18203.67



[T] 18265.12

P. 1993-1998 Grand Cherokee Suspension Components

	Part#
1993-1998 Grand Cherokee, Shock Absorber, Front *	18203.60
1993-1998 Grand Cherokee, Shock Absorber, Rear *	18203.62
1993-1998 Grand Cherokee, Shock Absorber, Rear [With Up Country Option]	18203.63
1993-1998 Grand Cherokee, Upper Control Arm Bushing [Front]	18282.01
1993-1998 Grand Cherokee, Lower Control Arm [Front]	18280.05
1993-1998 Grand Cherokee, Lower Control Arm Bushing [Front], Front Position	18282.02
1993-1998 Grand Cherokee, Lower Control Arm Bushing [Front], Front Position, Clevite Brand	18207.04
1993-1998 Grand Cherokee, Lower Control Arm Bushing [Front], Rear Position	18282.03
1993-1998 Grand Cherokee, Upper Control Arm [Rear]	18282.04
1993-1998 Grand Cherokee, Upper Control Arm Bushing [Rear]	18282.05
1993-1998 Grand Cherokee, Upper Control Arm Bushing [Rear], Clevite Brand	18207.05
1993-1998 Grand Cherokee, Lower Control Arm [Rear]	18282.06
1993-1998 Grand Cherokee, Lower Control Arm Bushing [Rear]	18282.07
1993-1998 Grand Cherokee, Lower Control Arm Bushing [Rear], Clevite brand	18207.06
1993-1996 Grand Cherokee, Sway Bar End Link [Front], LH or RH	18280.11
1997-1998 Grand Cherokee, Sway Bar End Link [Front], LH or RH	18282.08
1993-1998 Grand Cherokee, Sway Bar End Link Bushing [Front], LH or RH	18280.12
1993-1998 Grand Cherokee, Track Bar [Front]	18205.04
1993-1998 Grand Cherokee, Adjustable Track Bar [Front]	18205.05
1993-1998 Grand Cherokee, Coil Spring [Front], Each	18282.10
1993-1998 Grand Cherokee, Coil Spring [Rear], Each	18282.11

Q. 1999-2010 Grand Cherokee Suspension Components

	Part#
1999-2004 Grand Cherokee, Shock Absorber, Front	18203.67
1999-2004 Grand Cherokee, Shock Absorber, Rear	18203.68
1999-2004 Grand Cherokee, Track Bar [Front]	18205.06
1999-2004 Grand Cherokee, Coil Spring [Front], Each	18283.01
1999-2004 Grand Cherokee, Coil Spring [Rear], Each	18283.02
1999-2004 Grand Cherokee, Sway Bar End Link [Front], LH or RH	18283.03
1999-2004 Grand Cherokee, Sway Bar End Link [Rear], LH or RH	18233.04
1999-2004 Grand Cherokee, Sway Bar Bushing [Front], LH or RH	18283.09
1999-2004 Grand Cherokee, Sway Bar Bushing [Rear], LH or RH	18283.08
1999-2004 Grand Cherokee, Upper Control Arm Bushing [Rear]	18283.05
1999-2004 Grand Cherokee, Lower Control Arm Bushing [Front or Rear]	18283.06
1999-2004 Grand Cherokee, Upper Control Arm Bushing [Front]	18283.07
2002-2007 Liberty, Upper Control Arm Bushing [Rear]	18283.05
1999-2004 Grand Cherokee, Upper Ball Joint [Rear]	18037.04
2005-2010 Grand Cherokee, Shock Absorber, Front	18203.26
2005-2010 Grand Cherokee, Shock Absorber, Rear	18203.27
1999-2004 Grand Cherokee, Upper Control Arm [Front]	18282.20
1999-2004 Grand Cherokee, Lower Control Arm [Front]	18282.21
1999-2004 Grand Cherokee, Lower Control Arm [Rear]	18282.22
2005-2010 Grand Cherokee, Upper Control Arm [Front]	18282.24
1999-2004 Grand Cherokee, Upper Control Arm [Rear]	18282.25
2005-2010 Grand Cherokee, Lower Control Arm [Front], RH	18282.26
2005-2010 Grand Cherokee, Lower Control Arm [Front], LH	18282.27
1999-2004 Grand Cherokee, Sway Bar End Link [Rear], LH or RH	18283.04
2005-2010 Grand Cherokee, 2006-2010 Commander, Upper Control Arm, Rear, LH or RH NEW	18282.28
2005-2010 Grand Cherokee, 2006-2010 Commander, Lower Control Arm, Rear, LH or RH NEW	18282.29
2005-2010 Grand Cherokee, 2006-2010 Commander, Strut Mount NEW	18285.01

Part#

R. 2002-2007 Liberty Suspension Components

	Part#
2002-2007 Liberty, Shock Absorber (Strut), Front	18203.53
2002-2007 Liberty, Shock Absorber, Rear	18203.54
2002-2003 Liberty, Lower Control Arm Bushing [Rear], Body To Control Arm	18283.10
2002-2003 Liberty, Lower Control Arm Bushing [Rear], Control Arm To Axle	18283.11
2004-2007 Liberty, Lower Control Arm Bushing [Rear], Body To Control Arm	18283.12
2004-2007 Liberty, Lower Control Arm Bushing [Rear], Control Arm To Axle	18283.13
2002-2007 Liberty, Upper Control Arm Bushing, Front NEW	18283.23
2002-2007 Liberty, Strut Mount, Right NEW	18285.02
2002-2007 Liberty, Strut Mount, Left NEW	18285.03

S. Degree Wedges

	Part#
1976-1983 CJ5, 1976-1986 CJ7, 1981-1986 CJ8, 1987-1995 Wrangler, Pinion Angle Shims [6°], Aluminum	18206.01
1976-1983 CJ5, 1976-1986 CJ7, 1981-1986 CJ8, 1987-1995 Wrangler, Pinion Angle Shims [8°], Aluminum	18206.02

T. Heavy Duty Shackle Kits

	Part#
1959-1975 CJ5, 1959-1975 CJ6, Shackle Kit, Without Bushings, Front or Rear, Heavy Duty	18265.01
1959-1975 CJ5, 1959-1975 CJ6, Shackle Kit, Greasable, Without Bushings, Front or Rear, Heavy Duty	18265.02
1959-1975 CJ5, 1959-1975 CJ6, Shackle Kit, Black Bushings, Front or Rear, Heavy Duty	18265.03
1959-1975 CJ5, 1959-1975 CJ6, Shackle Kit, Red Bushings, Front or Rear, Heavy Duty	18265.04
1976-1983 CJ5, 1976-1986 CJ7, 1981-1986 CJ8, Shackle Kit, Without Bushings, Front, Heavy Duty	18265.05
1976-1983 CJ5, 1976-1986 CJ7, 1981-1986 CJ8, Shackle Kit, Without Bushings, Rear, Heavy Duty	18265.09
1976-1983 CJ5, 1976-1986 CJ7, 1981-1986 CJ8, Shackle Kit [Greasable], Without Bushings, Front, Heavy Duty	18265.06
1976-1983 CJ5, 1976-1986 CJ7, 1981-1986 CJ8, Shackle Kit [Greasable], Without Bushings, Rear, Heavy Duty	18265.10
1976-1983 CJ5, 1976-1986 CJ7, 1981-1986 CJ8, Shackle Kit [Greasable], Black Bushings, Front, Heavy Duty	18265.07
1976-1983 CJ5, 1976-1986 CJ7, 1981-1986 CJ8, Shackle Kit [Greasable], Black Bushings, Rear, Heavy Duty	18265.11
1976-1983 CJ5, 1976-1986 CJ7, 1981-1986 CJ8, Shackle Kit [Greasable], Red Bushings, Front, Heavy Duty	18265.08
1976-1983 CJ5, 1976-1986 CJ7, 1981-1986 CJ8, Shackle Kit [Greasable], Red Bushings, Rear, Heavy Duty	18265.12
1987-1995 Wrangler, Shackle Kit, Without Bushings, Front, Heavy Duty, Provides 1" Of Lift	18265.13
1987-1995 Wrangler, Shackle Kit, Without Bushings, Rear, Heavy Duty, Provides 1" Of Lift	18265.17
1987-1995 Wrangler, Shackle Kit [Greasable], Without Bushings, Front, Heavy Duty, Provides 1" Of Lift	18265.14
1987-1995 Wrangler, Shackle Kit [Greasable], Without Bushings, Rear, Heavy Duty	18265.18
1987-1995 Wrangler, Shackle Kit [Greasable], Black Bushings, Front, Heavy Duty, Provides 1" Of Lift	18265.15
1987-1995 Wrangler, Shackle Kit [Greasable], Black Bushings, Rear, Heavy Duty, Provides 1" Of Lift	18265.19
1987-1995 Wrangler, Shackle Kit [Greasable], Red Bushings, Front, Heavy Duty, Provides 1" Of Lift	18265.16
1987-1995 Wrangler, Shackle Kit [Greasable], Red Bushings, Rear, Heavy Duty, Provides 1" Of Lift	18265.20

U. Misc Suspension Components

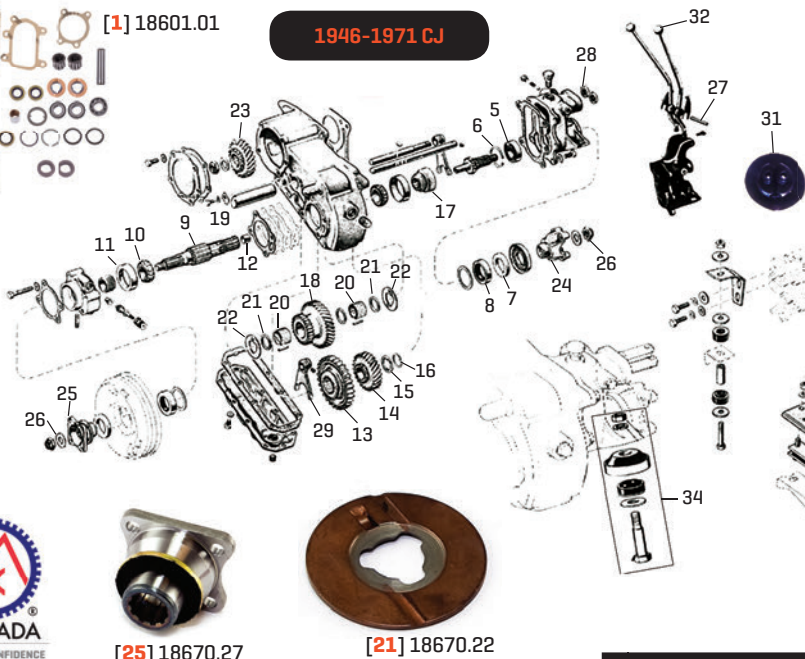
	Part#
1973-74 DJ5C [Postal], King Bolt Set, [Does 1 Side]	18284.01
1978-1984 DJ5 [Postal], Spring Bushing	18284.02
1974-1991 Cherokee / Grand Wagoneer, Spring Bushing [1-1/2" Od X 2-5/16 & 2-7/8" Long]	18284.03
1974-1991 Cherokee / Grand Wagoneer, Spring Bushing [2" Od X 2-15/16" Long]	18284.04

* Except Up Country



1946-1971 CJ

Transfer Case - Dana 18



[25] 18670.27

[21] 18670.22

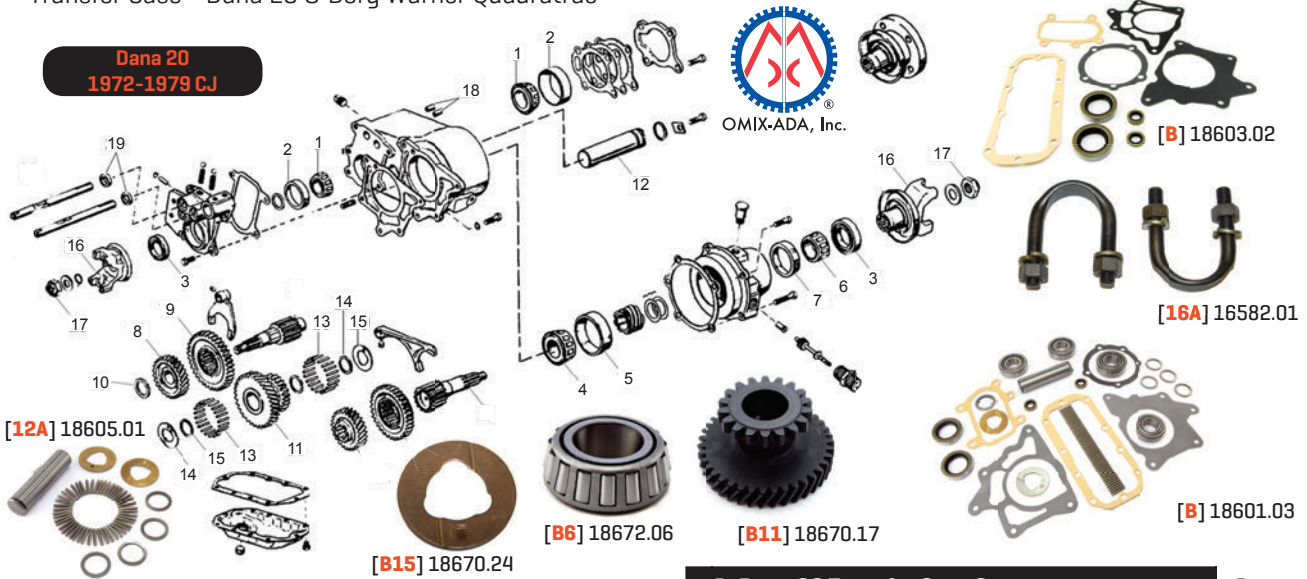
[2] 18602.01



A. Dana 18 Transfer Case		Part#
1	1945-1949 CJ2A, 1948-1953 CJ3A, 1950-1952 M38, 1946-1953 Truck, 1946-1953 Station Wagon, Overhaul Repair Kit (Dana 18 Transfer Case). With 1-1/4" Intermediate Shaft	18601.01
1	1953-1967 CJ3B, 1952-1971 M38A1, 1955-1971 CJ5, 1955-1971 CJ6, 1954-1964 Truck, 1954-1964 Station Wagon, Overhaul Repair Kit (Dana 18 Transfer Case), With 1-1/4" Intermediate Shaft	18601.02
3	1945-1949 CJ2A, 1948-1953 CJ3A, 1950-1952 M38, 1946-1964 Truck, 1946-1964 Station Wagon, 1953-1967 CJ3B, 1952-1971 M38A1, 1955-1971 CJ5, 1955-1971 CJ6, Gasket Set (Dana 18 Transfer Case)	18603.01
5	1945-1971 Models, Output Shaft Bearing (Dana 18 Transfer Case)	18670.01
6	1945-1971 Models, Output Shaft Bearing Snap Ring (Dana 18 Transfer Case)	18670.02
7	1945-1971 Models, Yoke Felt (Dana 18 Transfer Case), Front or rear [2 Required]	18670.03
8	1945-1971 Models, Yoke Oil Seal (Dana 18 Transfer Case), Front or rear [2 Required]	18670.04
9	1945-1971 Models, Rear Output Shaft (Dana 18 Transfer Case)	18670.05
10	1945-1971 Models, Output Shaft Bearing Cone (Dana 18 Transfer Case), [2 Required]	18670.06
11	1945-1971 Models, Output Shaft Bearing Cup (Dana 18 Transfer Case), [2 Required]	18670.07
12	1945-1971 Models, Front Output Shaft Bushing (Dana 18 Transfer Case)	18670.08
13	1953-1967 CJ3B, 1952-1971 M38A1, 1955-1966 CJ5, 1955-1966 CJ6, 1954-1964 Truck, 1954-1964 Station Wagon, Output Shaft Sliding Gear (Dana 18 Transfer Case), 33 Tooth, [Marked 18-8-22]	18670.10
14	1953-1967 CJ3B, 1952-1971 M38A1, 1955-1966 CJ5, 1955-1966 CJ6, 1954-1964 Truck, 1954-1964 Station Wagon, Output Shaft Sliding Gear (Dana 18 Transfer Case), 29 Tooth, [Marked 18-8-24]	18670.12
15	1941-1966 Models, Front Output Shaft Gear Thrust Washer (Dana 18 Transfer Case)	18670.13
16	1941-1966 Models, Front Output Shaft Gear Snap Ring (Dana 18 Transfer Case)	18670.14
17	1941-1971 Models, Front Output Shaft Clutch (Dana 18 Transfer Case), 10 Tooth	18670.15
18	1953-1967 CJ3B, 1952-1971 M38A1, 1955-1966 CJ5, 1955-1966 CJ6, 1954-1964 Truck, 1954-1964 Station Wagon, Intermediate Shaft Gear (Dana 18 Transfer Case), 33 Tooth, [Marked 18-5-9]	18670.17
19	1941-1945 MB, 1941-1945 Ford GPW, Intermediate Shaft [3/4"] (Dana 18 Transfer Case)	18604.01
19	1941-1945 MB, 1941-1945 Ford GPW, Intermediate Shaft [1-1/8"] (Dana 18 Transfer Case)	18604.02
19	1945-1949 CJ2A, 1948-1953 CJ3A, 1950-1952 M38, 1946-1953 Truck, 1946-1953 Station Wagon, Intermediate Shaft [1-1/4"] (Dana 18 Transfer Case)	18604.03

A. Dana 18 Transfer Case (Continued)		Part#
19	1953-1967 CJ3B, 1952-1971 M38A1, 1955-1971 CJ5, 1955-1971 CJ6, 1954-1964 Truck, 1954-1964 Station Wagon, Intermediate Shaft [1-1/4"] (Dana 18 Transfer Case)Twin Stick (For 134 Cl)	18604.04
19A	1953-1967 CJ3B, 1952-1971 M38A1, 1955-1971 CJ5, 1955-1971 CJ6, 1954-1964 Truck, 1954-1964 Station Wagon, Intermediate Shaft Kit [1-1/8"] (Dana 18 Transfer Case)Twin Stick (For 134 Cl)	18605.01
19A	1945-1949 CJ2A, 1948-1953 CJ3A, 1950-1952 M38, 1946-1953 Truck, 1946-1953 Station Wagon, Intermediate Shaft Kit [1-1/4"] (Dana 18 Transfer Case)	18605.03
20	1941-1945 MB, 1941-1945 Ford GPW, Intermediate Shaft Roller Cage Bearing [3/4"] (Dana 18 Transfer Case) [2 Required]	18670.18
20	1945-1949 CJ2A, 1948-1953 CJ3A, 1950-1952 M38, 1946-1964 Truck, 1946-1964 Station Wagon, 1952-1971 M38A1, 1955-1966 CJ5, 1955-1966 CJ6 Intermediate Shaft Roller Cage Bearing [1-1/8"] (Dana 18 Transfer Case) [2 Required]	18670.19
20	1945-1949 CJ2A, 1948-1953 CJ3A, 1950-1952 M38, 1946-1953 Truck, 1946-1953 Station Wagon, Intermediate Shaft Roller Cage Bearing [1-1/4"] (Dana 18 Transfer Case) (Needle Bearing 48 Required)	18670.20
21	1945-1949 CJ2A, 1948-1953 CJ3A, 1950-1952 M38, 1946-1953 Truck, 1946-1953 Station Wagon, Intermediate Shaft Roller Cage Bearing Spacer [1-1/4"] (Dana 18 Transfer Case)	18670.21
22	1941-1945 MB, 1941-1945 Ford GPW, Intermediate Shaft Thrust Washer [3/4"] (Dana 18 Transfer Case) [2 Required]	18670.22
22	1953-1967 CJ3B, 1952-1971 M38A1, 1955-1971 CJ5, 1955-1971 CJ6, 1954-1964 Truck, 1954-1964 Station Wagon, Intermediate Shaft Thrust Washer [1-1/8"] (Dana 18 Transfer Case) [2 Required]	18670.23
22	1953 Truck, 1946-1953 Station Wagon, Intermediate Shaft Thrust Washer [1-1/4"] (Dana 18 Transfer Case) [2 Required]	18670.24
23	1953-1967 CJ3B, 1952-1971 M38A1, 1955-1971 CJ5, 1955-1971 CJ6, 1954-1964 Truck, 1954-1964 Station Wagon, Main Shaft Gear (Dana 18 Transfer Case), 29 Tooth, 6 Spline [Marked 18-8-23]	18670.25
24	1945-1971 Models, Output Shaft Yoke (Dana 18 Transfer Case), [2 Required]	16580.01
25	1945-1971 Models, Output Shaft Yoke Companion Flange (Dana 18 Transfer Case)	18670.27
26	1941-1945 MB, 1941-1945 Ford GPW, 1945-1949 CJ2A, Output Shaft Yoke (Dana 18 Transfer Case), 3/4" - 20 Fine Thread [2 Required]	16584.12
26	1945-1971 Models, Output Shaft Yoke Nut (Dana 18 Transfer Case), [2 Required]	16584.01
27	1941-1966 Models, Shifter Pivot (Dana 18 Transfer Case)	18670.29
28	1941-1971 Models, Shifter Rod Oil Seals (Dana 18 Transfer Case), For Twin Stick Shifter [2 Required]	18670.30
31	1941-1971 Models, Shifter Boot (Dana 18 Transfer Case), For Twin Stick Shifter	18606.01
32	1941-1971 Models, Shifter Knob (Dana 18 Transfer Case), plain Black	18607.01
33	1941-1971 Models, Transfer Case Mount (Dana 18 Transfer Case)	18608.01
34	1941-1971 Models, Transfer Case Insulator (Snubber) Kit (Dana 18 Transfer Case)	18608.15

Transfer Case - Dana 20 & Borg Warner Quadratrac



B. Dana 20 Transfer Case

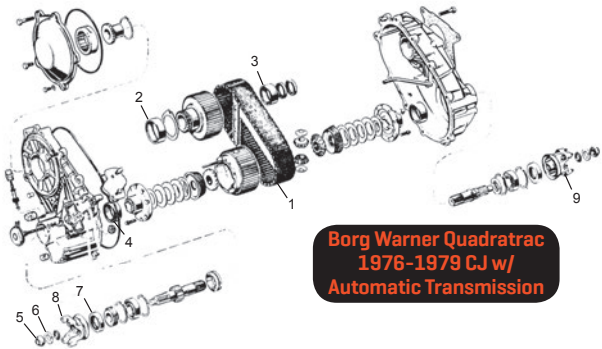
Part#

1972-1979 CJ5, 1972-1975 CJ6, 1976-1979 CJ7, <i>Overhaul Kit</i> (Dana 20 Transfer Case)	18601.03
1972-1979 CJ5, 1972-1975 CJ6, 1976-1979 CJ7, <i>Gasket Set</i> (Dana 300 Transfer Case)	18603.02
1972-1979 CJ5, 1972-1975 CJ6, 1976-1979 CJ7, Bearing Cone (Dana 20 Transfer Case), Front Output Shaft (2 Needed)	18672.02
1972-1979 CJ5, 1972-1975 CJ6, 1976-1979 CJ7, Bearing Cup (Dana 20 Transfer Case), Front Out Put Shaft (2 Needed)	18670.07
1972-1979 CJ5, 1972-1975 CJ6, 1976-1979 CJ7, Oil Seal (Dana 20 Transfer Case), Front Or Rear Yoke (2 Needed)	18670.04
1972-1979 CJ5, 1972-1975 CJ6, 1976-1979 CJ7, Bearing Cone (Dana 20 Transfer Case), Inner Rear Output Shaft	16536.01
1972-1979 CJ5, 1972-1975 CJ6, 1976-1979 CJ7, Bearing Cup (Dana 20 Transfer Case), Inner Rear Output Shaft	16536.02
1972-1979 CJ5, 1972-1975 CJ6, 1976-1979 CJ7, Bearing Cone (Dana 20 Transfer Case), Outer Rear Output Shaft	18672.06
1972-1979 CJ5, 1972-1975 CJ6, 1976-1979 CJ7, Bearing Cup (Dana 20 Transfer Case), Outer Rear Output Shaft	18672.07
1972-1979 CJ5, 1972-1975 CJ6, 1976-1979 CJ7, Front Output Shaft Gear (Dana 20 Transfer Case), 29 Teeth Count (Mark 18-8-24 Or 18-8-64)	18670.12
1972-1979 CJ5, 1972-1975 CJ6, 1976-1979 CJ7, Output Shaft Sliding Gear (Dana 20 Transfer Case), 31 Teeth Count (Mark 18-8-28)	18672.09
1972-1979 CJ5, 1972-1975 CJ6, 1976-1979 CJ7, Output Shaft Sliding Gear (Dana 20 Transfer Case), 33 Teeth Count (Mark 18-8-22)	18670.10
1972-1979 CJ5, 1972-1975 CJ6, 1976-1979 CJ7, Thrust Washer (Dana 20 Transfer Case), Front Output Shaft Gear	18672.10
1972-1979 CJ5, 1972-1975 CJ6, 1976-1979 CJ7, Intermediate Gear (Dana 20 Transfer Case), 39X18 Teeth Count (Mark 18-5-9)	18670.17
1972-1979 CJ5, 1972-1975 CJ6, 1976-1979 CJ7, Intermediate Gear (Dana 20 Transfer Case), 34X20 Teeth Count (Mark 18-5-10) Ltd. Avail.	18672.11
1972-1979 CJ5, 1972-1975 CJ6, 1976-1979 CJ7, Intermediate Gear Shaft (Dana 20 Transfer Case)	18604.03
1972-1979 CJ5, 1972-1975 CJ6, 1976-1979 CJ7, Intermediate Gear Shaft Kit (Dana 20 Transfer Case)	18605.01
1972-1979 CJ5, 1972-1975 CJ6, 1976-1979 CJ7, Needle Roller Bearing (Dana 20 Transfer Case), (48 Required)	18670.20
1972-1979 CJ5, 1972-1975 CJ6, 1976-1979 CJ7, Intermediate Gear Shaft Spacer (Dana 20 Transfer Case)	18670.21
1972-1979 CJ5, 1972-1975 CJ6, 1976-1979 CJ7, Intermediate Shaft Thrust Washer (Dana 20 Transfer Case)	18670.24
1972-1979 CJ5, 1972-1975 CJ6, 1976-1979 CJ7, Output Shaft Yoke (Dana 20 Transfer Case), 10 Spline (2 Required)	16580.01
1972-1979 CJ5, 1972-1975 CJ6, 1976-1979 CJ7, Output Shaft Yoke (Dana 20 Transfer Case), 26 Spline, U-Joint Style, (2 Required)	16580.02
1972-1979 CJ5, 1972-1975 CJ6, 1976-1979 CJ7, U-Bolt For 16580.02 Yoke (Dana 20 Transfer Case), pair	16582.01
1972-1979 CJ5, 1972-1975 CJ6, 1976-1979 CJ7, U-Bolt For 16580.02 Yoke (Dana 20 Transfer Case), Pair, Spicer Brand	16582.02
1972-1979 CJ5, 1972-1975 CJ6, 1976-1979 CJ7, Output Shaft Yoke Nut (Dana 20 Transfer Case), (2 Required)	16584.01
1972-1979 CJ5, 1972-1975 CJ6, 1976-1979 CJ7, Shift Knob W/ Shift Pattern (Dana 20 Transfer Case)	18607.02
1972-1979 CJ5, 1972-1975 CJ6, 1976-1979 CJ7, Shift Rod Cap Cover (Dana 20 Transfer Case)	18672.17
1972-1979 CJ5, 1972-1975 CJ6, 1976-1979 CJ7, Shift Rod Oil Seal (Dana 20 Transfer Case), (2 Required)	18670.30

B. Dana 20 Transfer Case Cont.

Part#

1972-1979 CJ5, 1972-1975 CJ6, 1976-1979 CJ7, Transfer Case Mount (Dana 20 Transfer Case)	18608.02
1972-1979 CJ5, 1972-1975 CJ6, 1976-1979 CJ7, Polyurethane Mount (Dana 20 Transfer Case), Red	18392.01
1972-1979 CJ5, 1972-1975 CJ6, 1976-1979 CJ7, Polyurethane Mount (Dana 20 Transfer Case), Black	18608.04
1972-1979 CJ5, 1972-1975 CJ6, 1976-1979 CJ7, Stabilizer Stud, Transmission Mount (Dana 20 Transfer Case)	18608.05
1972-1979 CJ5, 1972-1975 CJ6, 1976-1979 CJ7, Stabilizer Bushing (Dana 20 Transfer Case), (2 Required)	18608.06
1972-1979 CJ5, 1972-1975 CJ6, 1976-1979 CJ7, Polyurethane Stabilizer Bushing (Dana 20 Transfer Case), Red, Pair	18369.01
1972-1979 CJ5, 1972-1975 CJ6, 1976-1979 CJ7, Polyurethane Stabilizer Bushing (Dana 20 Transfer Case), Black, Pair	18608.08



C. Borg Warner Quadratrac Transfer Case

Part#

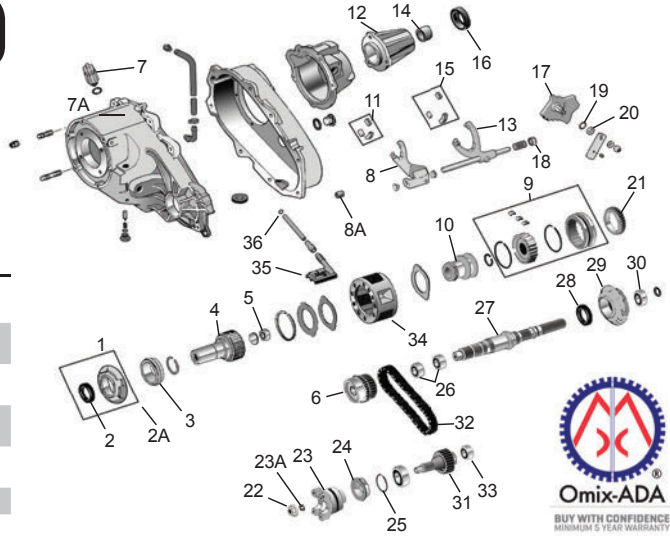
RTV Silicon (3 oz)	19201.01
1976-1979 CJ7, Drive Chain Replacement For Factory Chain (Quadratrac Transfer Case)	18612.08
1976-1979 CJ7, Bearing, Rear Upper Sprocket (Quadratrac Transfer Case)	18678.02
1976-1979 CJ7, Bearing, Front Upper Sprocket (Quadratrac Transfer Case)	18678.03
1976-1979 CJ7, Bearing, Frt & Rear Lower Sprocket (Quadratrac Transfer Case), (2 Required)	18678.03
1976-1979 CJ7, Nut For Front Or Rear Yoke (Quadratrac Transfer Case), (2 Required)	16584.01
1976-1979 CJ7, Washer For Front Or Rear Yoke (Quadratrac Transfer Case), (2 Required)	16584.02
1976-1979 CJ7, Oil Seal, Front Or Rear Yoke (Quadratrac Transfer Case), (2 Required)	18670.04
1976-1979 CJ7, Yoke, Rear Output, 10 Spline (Quadratrac Transfer Case)	16580.01
1976-1979 CJ7, Yoke, Front Output, 10 Spline (Quadratrac Transfer Case)	18678.04
1976-1979 CJ7, Yoke, Front Output, 26 Spline (Quadratrac Transfer Case)	18678.05
1976-1979 CJ7, U-Bolt (Quadratrac Transfer Case), (Use One Pair Per Yoke)	16582.01
1976-1979 CJ7, U-Bolt (Quadratrac Transfer Case), (Use One Pair Per Yoke), Spicer Brand	16582.02

Transfer Case - NP231



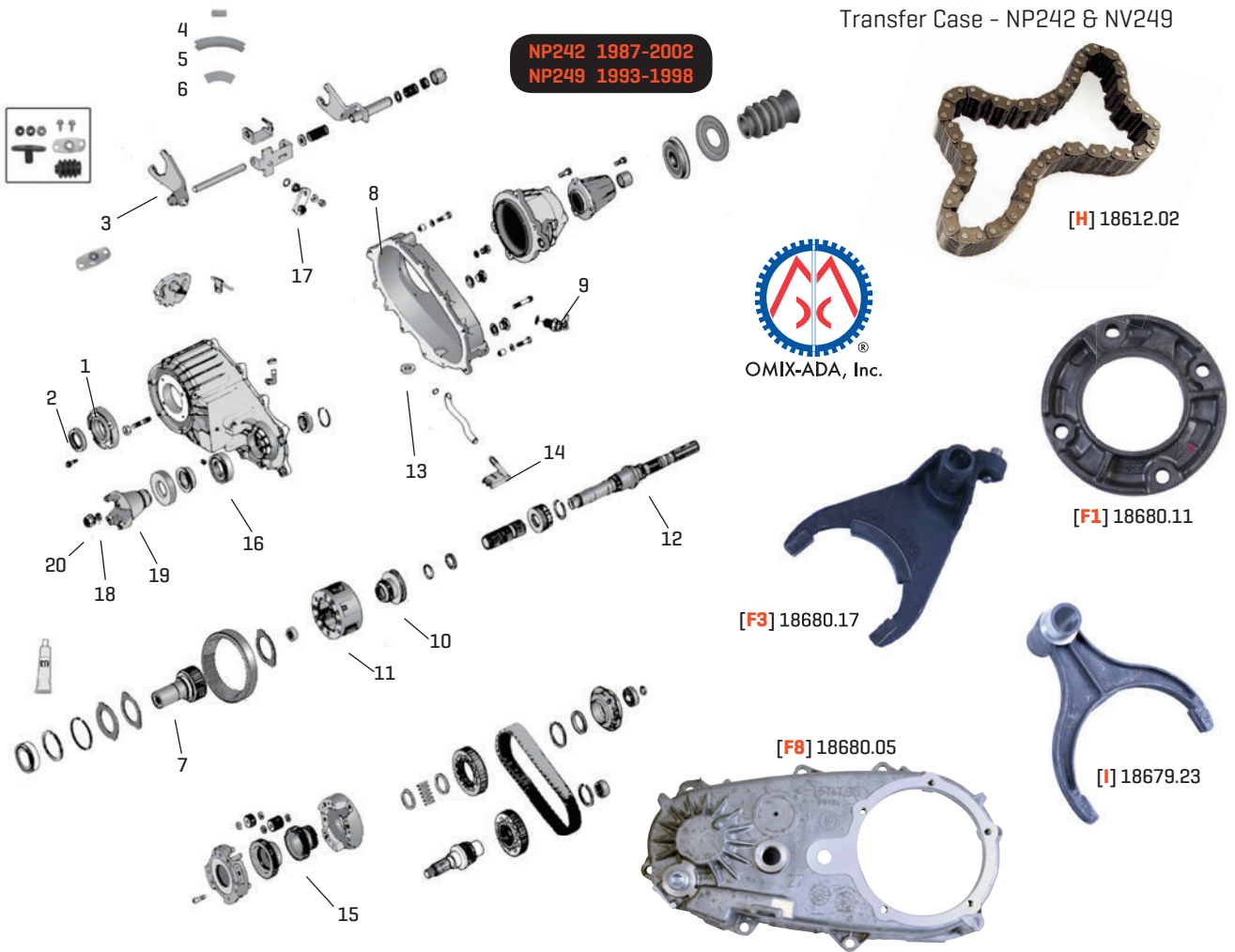
[P] S-52098358

**1987-2006
Wrangler, Cherokee
& Grand Cherokee**



E. NP231 Transfer Case		Part#
	1988-1996 Cherokee (2.5L With Manual Transmission), Transfer Case Assembly (NP 231), 21 Spline Input Shaft (1.2" Long)	S-52099310
	1994-1995 Wrangler (4.0L With Manual Transmission), Transfer Case Assembly (NP 231), 23 Spline Input Shaft	S-52098358
	1994-1995 Wrangler (4.0L With Automatic Transmission), Transfer Case Assembly (NP 231), 23 Spline Input Shaft (2.1" Long)	S-52098360
1	1988-2001 Cherokee, 1988-2001 Wrangler, 1993-1998 grand Cherokee, Input Bearing Retainer Kit , Includes: Bearing & Seal	18676.01
2	1988-2001 Cherokee, 1988-2001 Wrangler, 1993-1998 grand Cherokee, Input Shaft Oil Seal (NP 231 Transfer Case)	18674.19
2	2002-2006 Wrangler, 2002-2007 Liberty, Input Shaft Oil Seal	18680.13
2A	1991-2006 Wrangler, 1991-2001 Cherokee, 1993-1998 Grand Cherokee, 2002-2007 Liberty, Input Bearing Retainer	18680.11
3	1987-1993 Cherokee, 1988-1993 Wrangler, 1993 Grand Cherokee, Input Gear Outer Bearing	18676.04
3	1994-2006 Wrangler, 1994-2001 Cherokee, 1994-1998 Grand Cherokee, 2002-2007 Liberty, Input Gear Outer Bearing	18676.05
4	1997-2002 Wrangler, 1997-2000 Cherokee, Input Gear, 2.5L With Manual Transmission	18676.58
4	1991-1996 Wrangler, 1991-1996 Cherokee, Input Gear, 21 Spline	18676.08
4	1988-1990 Cherokee, 1988-1990 Wrangler, Input Gear, 23 Spline With Transfer Case ID # 53008210, 52097893 Or 52098048	18676.07
4	1997-2002 Wrangler (2.5L With AT & 4.0L AT or MT), 1998-2000 Cherokee (2.5L With AT), Input Gear, 23 Spline	18676.59
4	1997-1995 Wrangler, 1997-2001 Cherokee (4.0L), 2002 Liberty, Input Gear, 23 Spline	18676.81
4	1995 Grand Cherokee, Input Gear, 23 Spline With ID #52097526	18676.10
5	1994-2002 Wrangler, 1994-2001 Cherokee, 1997-1998 Grand Cherokee, 2002 Liberty, Input Gear Outer Bearing	18676.11
6	1997-2002 Wrangler, 1997-2001 Cherokee, 1997-1998 Grand Cherokee, 2002 Liberty, Drive Sprocket	18676.13
7	1988-1993 Wrangler, 1987-1993 Cherokee, Vacuum 4WD Switch	18676.14
7	1998-2002 Wrangler, 1997-2001 Cherokee, Electric 4WD Switch	18676.15
7A	1987-1993 Wrangler, 1987-1993 Cherokee, Vacuum 4WD Switch Seal	18680.15
8	1988-2001 Cherokee, 1988-2002 Wrangler, 1997-1998 Grand Cherokee, 2002 Liberty, Range Shift Fork	18676.17
9	1988-1996 Cherokee, 1988-1995 Wrangler, 1993-1996 Grand Cherokee, Shift Mode Synchronizer Assembly	18676.19
10	1997-2002 Wrangler, 1997-2001 Cherokee, 1997-1998 Grand Cherokee, 2002 Liberty, Range Shift Hub	18676.22
11	1988-1990 Cherokee, 1988-1990 Wrangler, Range Shift Pad Set	18676.23
11	1991-2002 Wrangler, 1991-2001 Cherokee, 1993-1998 Grand Cherokee, 2002 Liberty, Range Shift Pad Set	18676.24
12	1988-1995 Wrangler, Case Extension, Rear	18676.25
13	1988-1996 Cherokee, 1988-1996 Wrangler, Mode Shift Fork (NP 231 Transfer Case)	18676.26
13	1997-1999 Wrangler, Mode Shift Fork	18676.27
	1997-2006 Wrangler, 1987-2001 Cherokee, 2002-2007 Liberty, Mode Shift Fork (NP 231 Transfer Case)	18676.80
14	1988-2001 Cherokee, 1988-2002 Wrangler, 1997-1998 Grand Cherokee, 2002 Liberty, Main Shaft Rear Bearing	18676.28
15	1988-2007 Models, Range Shift Fork Pad, Straight (.764")	18680.27
16	1991-2006 Wrangler, 1991-2001 Cherokee, 1993-1998 Grand Cherokee, 2002-2007 Liberty, Output Shaft Oil Seal	18676.29
17	1987-1989 Cherokee, 1988-1989 Wrangler, Shift Mode Selector	18676.30
17	1991-1995 Wrangler, 1991-1996 Cherokee, Shift Mode Selector	18676.31
17	1997-1999 Wrangler, 1997-2001 Cherokee, Shift Mode Selector	18676.32
18	1988-1996 Cherokee, 1988-1995 Wrangler, Mode Shift Fork Bushing	18676.49
19	1988-2007 Models, Shift Selector O-Ring	18676.33

E. NP231 Transfer Case (continued)		Part#
20	1988-2007 Models, Shift Selector Seal	18676.34
21	1988-1996 Cherokee, 1988-1995 Wrangler, Shift Mode Synchronizer Blocking Ring	18676.35
22	1988-1999 Wrangler, Output Yoke Nut (NP 231 Transfer Case), Front	18676.36
23	1988-1995 Wrangler, Output Yoke, Front	18676.37
23	1997-1999 Wrangler, Output Yoke, Front	18676.38
	1988-1995 Wrangler, Output Yoke Washer, Front	18676.40
	1997-2006 Wrangler, Output Yoke Washer, Front	18680.32
	1988-1996 Cherokee, 1988-1995 Wrangler, Yoke Strap & Bolt Kit	16582.03
24	1988-1996 Cherokee, 1988-1995 Wrangler, 2001 Wrangler, 2001 Cherokee, Output Shaft Seal, Front	18676.41
24	1997-2000 Wrangler, 1997-2000 Cherokee, Output Shaft Seal, Front	18676.56
25	1987-1996 Cherokee, 1988-2006 Wrangler, Output Shaft Bearing Retainer, Front	18676.42
26	1991-1995 Wrangler, Main Drive Sprocket Bearing, (2 Required)	18676.44
27	1997-1999 Wrangler (2.5L), 1997-1999 Cherokee, Main Drive	18676.57
28	1988-2001 Cherokee, 1988-2006 Wrangler, 1993-1998 Grand Cherokee, 2002 Liberty, Oil Pump Housing Oil Seal	18676.46
29	1988-2001 Cherokee, 1988-2001 Wrangler, 1993-1998 Grand Cherokee, Oil Pump Housing	18676.47
30	1988-2001 Cherokee, 1988-2006 Wrangler, 1993-1998 Grand Cherokee, 2002 Liberty, Output Shaft Bearing, Front or Rear	18676.48
31	1988-2001 Cherokee, 1988-2002 Wrangler, 1993-1998 Grand Cherokee, Output Shaft, Front or Rear	18676.50
32	1988-2001 Cherokee, 1988-2006 Wrangler, 1993-1998 Grand Cherokee, 2002-2005 Liberty Output Shaft, Front or Rear	18612.01
33	1988-2001 Cherokee, 1988-2006 Wrangler, 1993-1998 Grand Cherokee, 2002 Liberty, Output Shaft Bearing, Front Inner	18676.51
	1988-1996 Cherokee, 1987-1995 Wrangler, Output Shaft Slip Yoke, Rear	16580.53
	RTV Silicon (3 oz)	19201.01
	1988-2006 Wrangler, 1987-2001 Cherokee, 1993-1998 Grand Cherokee, Slip Yoke Eliminator Kit	18676.60
	1988-2006 Wrangler, 1987-2001 Cherokee, 1993-1998 Grand Cherokee, Mega Short Slip Yoke Eliminator Kit	18676.72
	1988-2006 Wrangler, 1987-2001 Cherokee, 1993-1998 Grand Cherokee, Service Yoke for Short Slip Yoke Eliminator Kit	18676.61
	1988-2006 Wrangler, 1987-2001 Cherokee, 1993-1998 Grand Cherokee, Speedometer Drive Gear for Short Slip Yoke Eliminator Kit	18677.01
	1988-2006 Wrangler, 1987-2001 Cherokee, 1993-1998 Grand Cherokee, Oil Seal for Short Slip Yoke Eliminator Kit	18676.62
	1988-2006 Wrangler, 1987-2001 Cherokee, 1993-1998 Grand Cherokee, Hardware Kit for Short Slip Yoke Eliminator Kit	18676.64
34	1988-2001 Cherokee, 1988-2001 Wrangler, Planetary Gear	18680.55
	1987-2001 Cherokee, 1988-2006 Wrangler, 1993-1998 Grand Cherokee, 2002 Liberty, Oil Filter, Front Inner	18680.35
35	1988-2001 Cherokee, 1988-2006 Wrangler, 1993-2004 Grand Cherokee, Output Seal, Rear	18676.76
36	1988-2001 Cherokee, 1988-2006 Wrangler, 1993-1998 Grand Cherokee, 2002 Liberty, Oil Tube O-Ring, Front Inner	18680.36
	1994-1998 Jeep Models, Transfer Case Sunvisor Decal NEW	18676.77



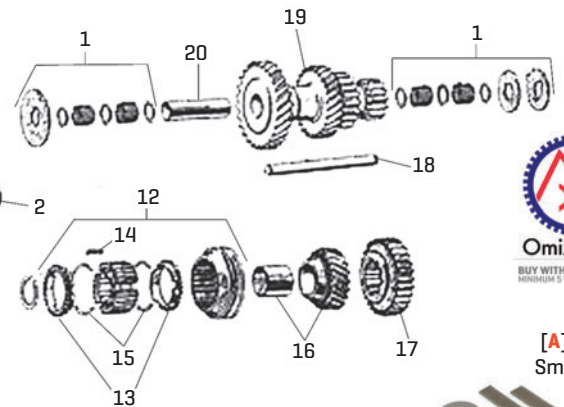
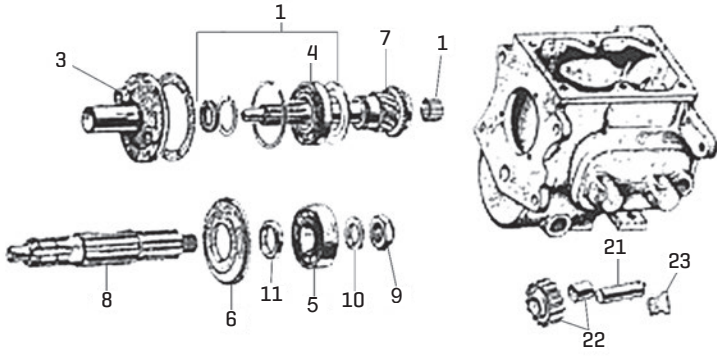
F. NP242 Transfer Case		Part#
1	1991-2007 Models, Input Bearing Retainer (NP 242 Transfer Case)	18680.11
2	2002-2004 Grand Cherokee, 2003-2007 Liberty, Input Bearing Retainer Seal (NP 242 Transfer Case)	18680.13
3	1987-2007 Models, Range Shift Fork (NP 242 Transfer Case)	18680.17
4	1987-2007 Models, Range Shift Fork Pad, Straight (.764"), (NP 242 Transfer Case)	18680.27
5	1987-2007 Models, Center Range Shift Fork Pad , Curved (2.375") (NP 242 Transfer Case)	18680.26
6	1987-2007 Models, Mode Shift Fork Pad , Curved (1.5") (NP 242 Transfer Case)	18680.25
7	1996-2001 Cherokee, 1996-1998 Grand Cherokee, Input Gear (NP 242 Transfer Case)	18680.10
8	1996-2001 Cherokee, 1987-1998 Grand Cherokee, Rear Case (NP 242 Transfer Case)	18680.05
9	1987-93 Wrangler , Vacuum Switch Seal (NP 242 Transfer Case)	18680.15
10	1989-1996 Models, Range Sleeve (NP 242 Transfer Case)	18680.18
11	1989-1995 Models, Planetary Gear (NP 242 Transfer Case)	18680.55
12	1994-2000 Models, Main Shaft (NP 242 Transfer Case)	18680.45
13	1987-2007 Models, Oil Tube O-Ring (NP 242 Transfer Case)	18680.36
14	1987-2002 Models, Oil Filter (NP 242 Transfer Case)	18680.35
15	1987-2001 Cherokee, 1987-2004 Grand Cherokee, Drive Sprocket (NP 242 Transfer Case)	18680.16
16	1997-1998 Cherokee, 1997-2004 Grand Cherokee, 2002-2003 Liberty, Output Shaft Bearing (NP 242 Transfer Case)	18680.48
17	1987-2001 Cherokee, 1993-1998 Grand Cherokee, Shift Lever Bushing (NP 242 Transfer Case)	18680.19
18	1987-2007 Models, Front Output Yoke Washer (NP 242 Transfer Case)	18680.32
20	1996-2001 Cherokee, 1993-2004 Grand Cherokee, 2002-2007 Liberty, Front Yoke Nut (NP 242 Transfer Case)	18680.31

G. NV249 Transfer Case		Part#
1	1993-1998 Grand Cherokee, Input Bearing Retainer (NV289 Transfer Case)	18680.11
5	1993-1998 Grand Cherokee, Range Shift Fork Pad (NV289 Transfer Case)	18680.26
7	1993-1998 Grand Cherokee, Input Gear (NV289 Transfer Case)	18680.10
10	1993-1998 Grand Cherokee, Range Sleeve (NV289 Transfer Case)	18680.18
11	1993-1998 Grand Cherokee, Planetary Gear (NV289 Transfer Case)	18680.55
11	1993-1998 Grand Cherokee, Planetary Gear (NV289 Transfer Case)	18676.55
16	1993-1998 Grand Cherokee, Output Shaft Bearing (NV289 Transfer Case)	18680.48

H. Transfer Case Chains		Part#
1984-1987 Cherokee, 1987 Wrangler, Transfer Case Chain (NP207)	18612.02	
1989-1995 Cherokee, Transfer Case Chain (NP224)	18612.05	
1996-1998 Grand Cherokee, Transfer Case Chain (NP249)	18612.06	
1996-2004 Grand Cherokee, Transfer Case Chain (NP247)	18612.07	
1988-2006 Wrangler, 1987-2001 Cherokee, 1993-1998 Grand Cherokee, Transfer Case Chain (NP 231)	18612.01	
2007-2013 Wrangler, Transfer Case Chain, NV241	18612.10	

I. Other Transfer Case Components		Part#
1980-1983 Grand Wagoneer, 1980-1987 J-Series Truck, Output Bearing Snap Ring (NP208 Transfer Case), Front	18679.39	

Warner T90 3 Speed
1946-1971 CJ2A, 3A, 3B, 5, 6, M38, 475 Wagon & Truck



[A] 18805.01
 Small Parts Kit

A. 1941-1971 T90 3 Speed Transmission	Part#
1941-1971 Models, <i>Overhaul Repair Kit</i> (T90 3 Speed), Includes: Front & Rear Bearings, Gasket Kit & Small Parts Kits	18801.01
1954-1964 Truck (226 Ci), 1954-1964 Station Wagon (226 Ci), <i>Overhaul Repair Kit</i> (T90 3 Speed), Includes: Front & Rear Bearings, Gasket Kit & Small Parts Kits	18802.01
1954-1964 Truck (226 Ci With GM V8 Swap), 1954-1964 Station Wagon (226 Ci With GM V8 Swap), <i>Overhaul Repair Kit</i> (T90 3 Speed), Includes: Front & Rear Bearings, Gasket Kit & Small Parts Kits	18802.02
1941-1971 Models, <i>Gasket Set</i> (T90 3 Speed)	18804.01
1 1941-1971 Models, <i>Small Parts Kit</i> (T90 3 Speed)	18805.01
2 1941-1971 Models, <i>Transmission Bare Case</i> (T90 3 Speed)	18880.01
1941-1971 Models, <i>Shifter Assembly</i> (T90 3 Speed), Includes Shift Forks and Shift Rails	18880.02
3 1941-1971 Models (134 Ci), <i>Front Bearing Retainer</i> (T90 3 Speed)	18880.03
4 1941-1971 Models (134 Ci), <i>Front Input Shaft Bearing</i> (T90 3 Speed)	18880.04
5 1941-1971 Models (134 Ci), <i>Rear Input Shaft Bearing</i> (T90 3 Speed)	18880.05
6 1954-1964 Truck (226 Ci), 1954-1964 Station Wagon (226 Ci), <i>Rear Mainshaft Bearing Adapter</i> (T90 3 Speed)	18880.06
7 1941-1971 Models (134 Ci), <i>Input Shaft</i> (T90 3 Speed), 18 Tooth 9-1/16"	18880.07
7 1941-1971 Models (134 Ci), <i>Input Shaft</i> (T90 3 Speed), 16 Tooth 9-1/8"	18880.08
7 1954-1964 Truck (226 Ci), 1954-1964 Station Wagon (226 Ci), <i>Input Shaft</i> (T90 3 Speed)	18880.09
8 1941-1971 Models, <i>Main Shaft</i> (T90 3 Speed)	18880.10
9 1941-1971 Models, <i>Main Shaft Nut</i> (T90 3 Speed)	18880.11
10 1941-1971 Models, <i>Main Shaft Washer</i> (T90 3 Speed)	18880.12
11 1941-1971 Models, <i>Main Shaft Bearing Spacer</i> (T90 3 Speed)	18880.13
12 1941-1971 Models, <i>Synchronizer Assembly</i> (T90 3 Speed)	18880.14
13 1941-1971 Models, <i>Synchronizer Blocking Ring</i> (T90 3 Speed)	18880.15
14 1941-1971 Models, <i>Synchronizer Key</i> (T90 3 Speed), [3 Required]	18880.16
15 1941-1971 Models, <i>Synchronizer Spring</i> (T90 3 Speed), [2 Required]	18880.17
16 1941-1971 Models, <i>2nd Gear</i> (T90 3 Speed)	18880.18
17 1941-1971 Models, <i>Low & Reverse Sliding Gear</i> (T90 3 Speed)	18880.19
18 1941-1971 Models, <i>Counter Shaft</i> (T90 3 Speed)	18880.20
19 1941-1971 Models, <i>Counter Shaft Cluster Gear</i> (T90 3 Speed), Tooth Count 33-26-19-14	18880.22
19 1941-1971 Models, <i>Counter Shaft Cluster Gear</i> (T90 3 Speed), Tooth Count 35-26-19-14	18880.23
20 1941-1971 Models, <i>Counter Shaft Cluster Gear Spacer</i> (T90 3 Speed)	18880.24
21 1941-1971 Models, <i>Reverse Idler Shaft</i> (T90 3 Speed)	18880.25
22 1941-1971 Models, <i>Reverse Idler Shaft Gear</i> (T90 3 Speed)	18880.26
23 1941-1971 Models, <i>Reverse Idler Shaft Plate</i> (T90 3 Speed)	18880.27
1941-1971 Models, <i>Shifter Boot</i> (T90 3 Speed)	18806.01
1941-1971 Models, <i>Shifter Boot Ring</i> (T90 3 Speed)	18880.28
1941-1971 Models, <i>Shifter Knob</i> (T90 3 Speed)	18807.01
1941-1971 Models (134 Ci), <i>Transmission Mount</i> (T90 3 Speed)	18608.01
1954-1964 Truck, 1954-1964 Station Wagon, <i>Transmission Mount</i> (T90 3 Speed)	18880.29
1941-1971 Models, <i>Transfer Case Insulator</i> (Snubber) Kit	18608.15



[A] 18801.01



[A] 18806.01



[A] 18880.28



[A7] 18880.07



[A8] 18880.10



[A] 18880.29



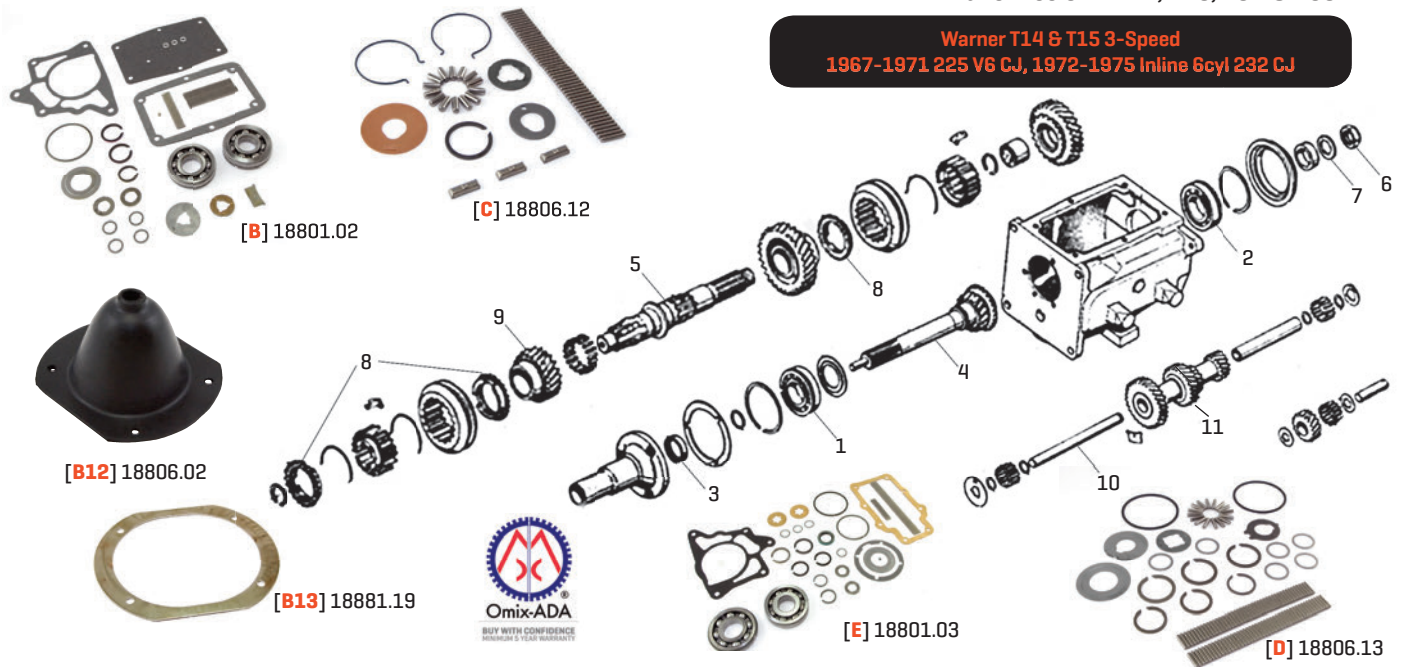
[A] 18880.02



[A] 18880.14



[A2] 18880.01



Warner T14 & T15 3-Speed
1967-1971 225 V6 CJ, 1972-1975 Inline 6cyl 232 CJ

B. 1967-1975 T14 3 Speed Transmission	Part#
1967-1975 Models, <i>Overhaul Repair Kit</i> (T14 3 Speed), Includes: Front & Rear Bearings, Gasket Kit & Small Parts Kit	18801.02
1967-1975 Models, Gasket Set (T14 3 Speed)	18804.02
1967-1975 Models, <i>Small Parts Kit</i> (T14 3 Speed)	18805.02
1 1967-1975 Models, Front Input Shaft Bearing (T14 3 Speed)	18881.01
2 1967-1975 Models, Main Shaft Bearing (T14 3 Speed)	18881.02
3 1967-1975 Models, Main Shaft Oil Seal Retainer (T14 3 Speed)	18881.03
4 1972-1975 Models (3.8L & 4.2L), Input Shaft (T14 3 Speed), 20 Tooth (10.5")	18881.05
6 1967-1975 Models, Main Shaft Nut (T14 3 Speed)	18880.11
7 1967-1975 Models, Main Shaft Washer (T14 3 Speed)	18880.12
8 1967-1975 Models, Synchronizer Blocker Ring (T14 3 Speed), [2 Required]	18881.08
9 1967-1975 Models, 2nd Gear (T14 3 Speed), 26 Tooth	18881.10
10 1967-1975 Models, Counter Shaft (T14 3 Speed)	18881.14
12 1967-1975 Models, Shifter Boot (T14 3 Speed)	18806.02
13 1967-1975 Models, Shifter Boot Retainer (T14 3 Speed)	18881.19
1967-1975 Models, Shifter Knob (T14 3 Speed)	18807.01
1967-1971 Models (225 CI), Transmission Mount (T14 3 Speed)	18881.20
1972-1975 Models (3.8L & 4.2L), Transmission Mount (T14 3 Speed)	18608.02
1972-1975 Models (3.8L & 4.2L), Transmission Mount (T14 3 Speed), Urethane, Red UPGRADE	18392.01
1972-1975 Models (3.8L & 4.2L), Transmission Mount (T14 3 Speed), Urethane, Black UPGRADE	18608.04
1972-1975 Models (3.8L & 4.2L), Stabilizer Stud, Transmission Mount (T14 3 Speed)	18608.05
1972-1975 Models (3.8L & 4.2L), Stabilizer Stud Bushing, Transmission Mount (T14 3 Speed)	18608.06
1972-1975 Models (3.8L & 4.2L), Stabilizer Bushing, Transmission Mount (T14 3 Speed), Urethane, Red UPGRADE	18369.01
1972-1975 Models (3.8L & 4.2L), Stabilizer Bushing, Transmission Mount (T14 3 Speed), Urethane, Black UPGRADE	18608.08

C. 1941-1945 T84 3 Speed Transmission	Part#
1941-1945 MB, 1941-1945 Ford GPW, <i>Small Parts Kit</i> (T84 3 Speed)	18806.12
1941-1945 MB, 1941-1945 Ford GPW, Blocking Ring (T84 3 Speed), [2 Required]	18889.01
1941-1945 MB, 1941-1945 Ford GPW, Main Drive Gear Bearing (T84 3 Speed)	18891.02
1941-1945 MB, 1941-1945 Ford GPW, Rear Main Shaft Bearing (T84 3 Speed)	18880.05
1941-1945 MB, 1941-1945 Ford GPW, Shifter Boot (T84 3 Speed)	18889.04
1941-1945 MB, 1941-1945 Ford GPW, Transfer Case Shifter Boot	18889.05
1941-1945 MB, 1941-1945 Ford GPW, Shifter Boot Kit (T84 3 Speed), Includes: Transmission, Transfer Case & Accelerator Cable Boots	18889.06

D. 1955-1972 T98 4 Speed Transmission	Part#
1955-1972 CJ5, 1955-1972 CJ6, <i>Small Parts Kit</i> (T98 4 Speed)	18806.13
1955-1972 CJ5, 1955-1972 CJ6, Front Input Shaft Bearing (T98 4 Speed)	18882.01
1955-1972 CJ5, 1955-1972 CJ6, Rear Input Shaft Bearing (T98 4 Speed)	18884.02
1955-1972 CJ5, 1955-1972 CJ6, Counter Shaft (T98 4 Speed)	18890.03
1955-1972 CJ5, 1955-1972 CJ6, Synchronizer Blocking Ring (T98 4 Speed), 3rd & 4th Gear [2 Required]	18890.05
1955-1972 CJ5, 1955-1972 CJ6, Synchronizer Blocking Ring (T98 4 Speed), 1st & 2nd Gear [2 Required]	18890.06

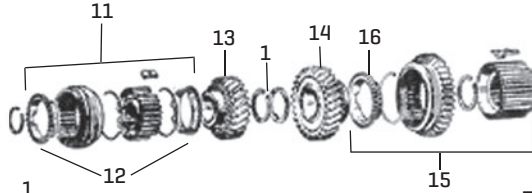
E. 1972-1979 Warner T15 3 Speed Transmission	Part#
1972-1979 CJ5, 1972-1975 CJ6, 1972-1979 CJ7, <i>Overhaul Kit</i> (T15 3 Speed), Includes: Bearings, Gaskets & Small Parts Kit	18801.03
1972-1979 CJ5, 1972-1975 CJ6, 1972-1979 CJ7, Gasket Set (T15 3 Speed)	18804.03
1972-1979 CJ5, 1972-1975 CJ6, 1972-1979 CJ7, <i>Small Parts Kit</i> (T15 3 Speed)	18805.03
1 1972-1979 CJ5, 1972-1975 CJ6, 1972-1979 CJ7, Front Input Shaft Bearing (T15 3 Speed)	18882.01
2 1972-1979 CJ5, 1972-1975 CJ6, 1972-1979 CJ7, Main Shaft Bearing (T15 3 Speed)	18882.02
3 1972-1979 CJ5, 1972-1975 CJ6, 1972-1979 CJ7, Front Oil Seal Retainer (T15 3 Speed)	18881.03
8 1972-1979 CJ5, 1972-1975 CJ6, 1972-1979 CJ7, Synchronizer Ring (T15 3 Speed), 1st, 2nd & 3rd Gear [3 Required]	18882.03
9 1972-1979 CJ5, 1972-1975 CJ6, 1972-1979 CJ7, Counter Shaft (T15 3 Speed)	18882.04
12 1972-1979 CJ5, 1972-1975 CJ6, 1972-1979 CJ7, Shifter Boot (T15 3 Speed)	18806.02
13 1972-1979 CJ5, 1972-1975 CJ6, 1972-1979 CJ7, Shifter Boot Retainer (T15 3 Speed)	18881.19
1972-1979 CJ5, 1972-1975 CJ6, 1972-1979 CJ7, Shifter Knob (T15 3 Speed)	18807.01
1972-1979 CJ5, 1972-1975 CJ6, 1976-1979 CJ7, Transfer Case Mount (T15 3 Speed)	18608.02
1972-1979 CJ5, 1972-1975 CJ6, 1976-1979 CJ7, Polyurethane Mount (T15 3 Speed), Red	18392.01
1972-1979 CJ5, 1972-1975 CJ6, 1976-1979 CJ7, Polyurethane Mount (T15 3 Speed), Black	18608.04
1972-1979 CJ5, 1972-1975 CJ6, 1976-1979 CJ7, Stabilizer Stud, Transmission Mount (T15 3 Speed)	18608.05
1972-1979 CJ5, 1972-1975 CJ6, 1976-1979 CJ7, Stabilizer Bushing (T15 3 Speed), [2 Required]	18608.06
1972-1979 CJ5, 1972-1975 CJ6, 1976-1979 CJ7, Polyurethane Stabilizer Bushing (T15 3 Speed), Red, Pair	18369.01
1972-1979 CJ5, 1972-1975 CJ6, 1976-1979 CJ7, Polyurethane Stabilizer Bushing (T15 3 Speed), Black, Pair	18608.08

[G] 16916.02

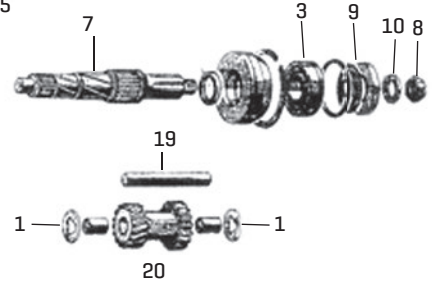
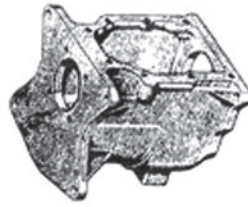
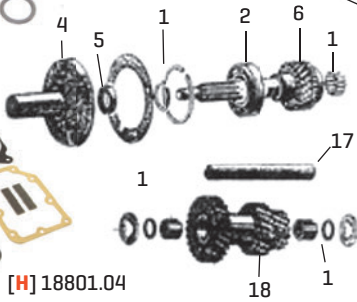
Tremec T150 3-Speed
1976-1979 6cyl & 8cyl CJ5 & CJ7



[F] 18806.14



[H] 18801.04



F. 1972-1979 Warner T18 4 Speed Transmission Part#

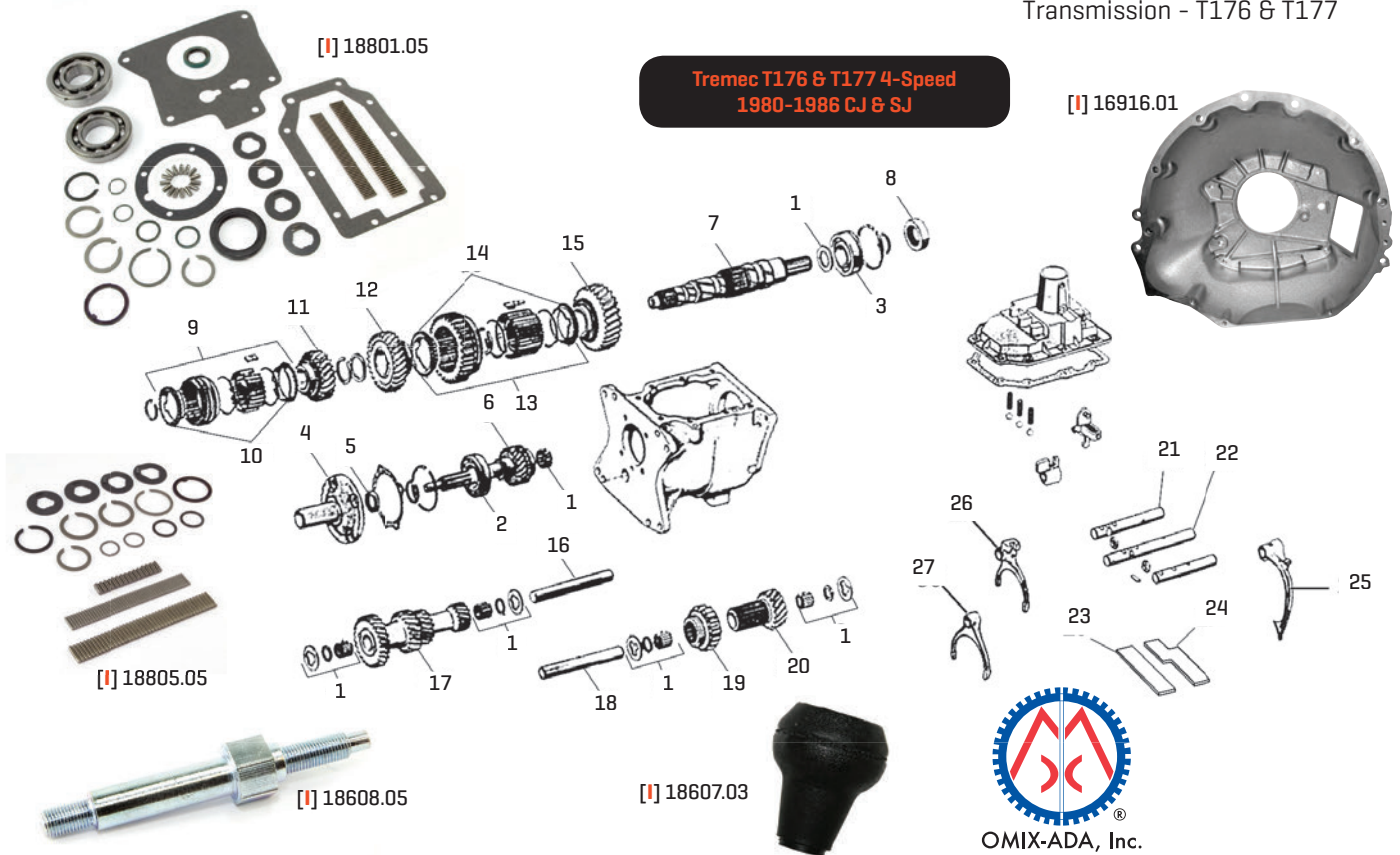
1972-1979 CJ5, 1972-1975 CJ6, 1972-1979 CJ7, Overhaul Kit (T18 4 Speed), Includes: Bearings, Gaskets & Small Parts Kit	18806.14
1972-1979 CJ5, 1972-1975 CJ6, 1972-1979 CJ7, Front Input Shaft Bearing (T18 4 Speed)	18882.01
1972-1979 CJ5, 1972-1975 CJ6, 1972-1979 CJ7, Main Shaft Bearing (T18 4 Speed)	18884.02
1972-1979 CJ5, 1972-1975 CJ6, 1972-1979 CJ7, Front Input Oil Seal (T18 4 Speed)	18885.03
1972-1979 CJ5, 1972-1975 CJ6, 1972-1979 CJ7, 1st Gear (T18 4 Speed)	18890.20
1972-1979 CJ5, 1972-1975 CJ6, 1972-1979 CJ7, Front Bearing Retainer (T18 4 Speed)	18890.21
1972-1979 CJ5, 1972-1975 CJ6, 1972-1979 CJ7, 3rd Gear (T18 4 Speed)	18890.22
1972-1979 CJ5, 1972-1975 CJ6, 1972-1979 CJ7, 3rd & 4th Gear Synchronizer Assembly (T18 4 Speed)	18890.04
1972-1979 CJ5, 1972-1975 CJ6, 1972-1979 CJ7, Synchronizer Assembly (T18 4 Speed), For Tag #13-01-192, 13-01-193, 13-01-209, 13-01-210	18890.23
1972-1979 CJ5, 1972-1975 CJ6, 1972-1979 CJ7, 3rd & 4th Gear Blocking Ring (T18 4 Speed), [2 Required]	18890.05
1972-1979 CJ5, 1972-1975 CJ6, 1972-1979 CJ7, 3rd & 4th Gear Blocking Ring (T18 4 Speed), For Tag #13-01-192, 13-01-193, 13-01-209, 13-01-210, [2 Required]	18890.25
1972-1979 CJ5, 1972-1975 CJ6, 1972-1979 CJ7, Reverse Idler Gear (T18 4 Speed)	18890.26
1972-1979 CJ5, 1972-1975 CJ6, 1972-1979 CJ7, Counter Shaft (T18 4 Speed)	18890.03
1972-1979 CJ5, 1972-1975 CJ6, 1972-1979 CJ7, 1st & 2nd Gear Blocking Ring (T18 4 Speed)	18890.06

G. 1980-1981 SR4 4 Speed Transmission Part#

1980-1981 CJ5, 1980-1981 CJ7, 1981 CJ8, Bellhousing (SR4 4 Speed)	16916.02
1980-1981 CJ5, 1980-1981 CJ7, 1981 CJ8, Front Input Bearing (SR4 4 Speed)	18891.02
1980-1981 CJ5, 1980-1981 CJ7, 1981 CJ8, Main Shaft Bearing (SR4 4 Speed)	18891.02
1980-1981 CJ5, 1980-1981 CJ7, 1981 CJ8, 1st & 2nd Gear Blocking Ring (SR4 4 Speed), [2 Required]	18885.14
1980-1981 CJ5, 1980-1981 CJ7, 1981 CJ8, 3rd & 4th Gear Blocking Ring (SR4 4 Speed), [2 Required]	18885.23
1980-1981 CJ5, 1980-1981 CJ7, 1981 CJ8, Shifter Boot (SR4 4 Speed)	18806.03
1980-1981 CJ5, 1980-1981 CJ7, 1981 CJ8, Front Bearing Retainer Oil Seal (SR4 4 Speed)	18881.03
1980-1981 CJ5, 1980-1981 CJ7, 1981 CJ8, Rear Output Shaft Oil Seal (SR4 4 Speed)	18885.08
1980-1981 CJ5, 1980-1981 CJ7, 1981 CJ8, Transfer Case Mount (SR4 4 Speed)	18608.02
1980-1981 CJ5, 1980-1981 CJ7, 1981 CJ8, Polyurethane Mount (SR4 4 Speed), Red	18392.01
1980-1981 CJ5, 1980-1981 CJ7, 1981 CJ8, Polyurethane Mount (SR4 4 Speed), Black	18608.04
1980-1981 CJ5, 1980-1981 CJ7, 1981 CJ8, Stabilizer Stud, Transmission Mount (SR4 4 Speed)	18608.05
1980-1981 CJ5, 1980-1981 CJ7, 1981 CJ8, Stabilizer Bushing (SR4 4 Speed), [2 Required]	18608.06
1980-1981 CJ5, 1980-1981 CJ7, 1981 CJ8, Polyurethane Stabilizer Bushing (SR4 4 Speed), Red, Pair	18369.01
1980-1981 CJ5, 1980-1981 CJ7, 1981 CJ8, Polyurethane Stabilizer Bushing (SR4 4 Speed), Black, Pair	18608.08

H. 1976-1979 Tremec T150 3 Speed Transmission Part#

1976-1979 CJ5, 1976-1979 CJ7, Overhaul Kit (T150 3 Speed), Includes: Front & Rear Bearings, Gaskets & Seals Kit & Small Parts Kits	18801.04
1976-1979 CJ5, 1976-1979 CJ7, Overhaul Kit (T150 3 Speed), Includes: Main Shaft, Input Shaft, 1st Gear, 2nd Gear, Low & Reverse Synchro Assy, 2-3 Synchro Assy, Cluster Gear & Shaft, Reverse Idler Gear W/ Shaft, Front & Rear Bearings, Front & Rear Oil Seals, Gasket Kit, Small Parts Kit	18802.05
1976-1979 CJ5, 1976-1979 CJ7, Bellhousing (T150 3 Speed)	16916.01
1976-1979 CJ5, 1976-1979 CJ7, Gasket Set (T150 3 Speed)	18804.04
1 1976-1979 CJ5, 1976-1979 CJ7, Small Parts Kit (T150 3 Speed)	18805.04
2 1976-1979 CJ5, 1976-1979 CJ7, Front Input Shaft Bearing (T150 3 Speed)	18880.04
3 1976-1979 CJ5, 1976-1979 CJ7, Rear Main Shaft Bearing (T150 3 Speed)	18880.05
4 1976-1979 CJ5, 1976-1979 CJ7, Input Shaft Bearing Retainer (T150 3 Speed)	18883.01
5 1976-1979 CJ5, 1976-1979 CJ7, Main Shaft Bearing Retainer Oil Seal (T150 3 Speed)	18881.03
6 1976-1979 CJ5, 1976-1979 CJ7, Input Shaft (T150 3 Speed)	18883.02
7 1976-1979 CJ5, 1976-1979 CJ7, Main Shaft (T150 3 Speed)	18883.03
8 1976-1979 CJ5, 1976-1979 CJ7, Main Shaft Nut (T150 3 Speed)	18880.11
9 1976-1979 CJ5, 1976-1979 CJ7, Main Shaft Oil Seal (T150 3 Speed)	18883.04
10 1976-1979 CJ5, 1976-1979 CJ7, Main Shaft Washer (T150 3 Speed)	18880.12
11 1976-1979 CJ5, 1976-1979 CJ7, 2nd & 3rd Synchronizer Assembly (T150 3 Speed)	18883.05
12 1976-1979 CJ5, 1976-1979 CJ7, 2nd & 3rd Synchronizer Blocking Ring (T150 3 Speed), [2 Required]	18883.06
13 1976-1979 CJ5, 1976-1979 CJ7, 2nd Gear (T150 3 Speed)	18883.07
14 1976-1979 CJ5, 1976-1979 CJ7, Low Gear (T150 3 Speed)	18883.08
15 1976-1979 CJ5, 1976-1979 CJ7, 1st & Reverse Synchronizer Assembly (T150 3 Speed), [2 Required]	18883.09
16 1976-1979 CJ5, 1976-1979 CJ7, 1st & Reverse Synchronizer Blocking Ring (T150 3 Speed), [2 Required]	18883.10
17 1976-1979 CJ5, 1976-1979 CJ7, Counter Shaft (T150 3 Speed)	18883.11
19 1976-1979 CJ5, 1976-1979 CJ7, Reverse Idler Shaft (T150 3 Speed)	18883.13
20 1976-1979 CJ5, 1976-1979 CJ7, Reverse Idler Gear (T150 3 Speed), With Bushing	18883.14
1976-1979 CJ5, 1976-1979 CJ7, Shifter Boot (T150 3 Speed)	18806.02
1976-1979 CJ5, 1976-1979 CJ7, Shifter Boot Retainer (T150 3 Speed)	18881.19
1976-1979 CJ5, 1976-1979 CJ7, Shifter Knob (T150 3 Speed)	18807.01
1976-1979 CJ5, 1976-1979 CJ7, Transfer Case Mount (T150 3 Speed)	18608.02
1976-1979 CJ5, 1976-1979 CJ7, Polyurethane Mount (T150 3 Speed), Red	18392.01
1976-1979 CJ5, 1976-1979 CJ7, Polyurethane Mount (T150 3 Speed), Black	18608.04
1976-1979 CJ5, 1976-1979 CJ7, Stabilizer Stud, Transmission Mount (T150 3 Speed)	18608.05
1976-1979 CJ5, 1976-1979 CJ7, Stabilizer Bushing (T150 3 Speed), [2 Required]	18608.06
1976-1979 CJ5, 1976-1979 CJ7, Polyurethane Stabilizer Bushing (T150 3 Speed), Red, Pair	18369.01
1976-1979 CJ5, 1976-1979 CJ7, Polyurethane Stabilizer Bushing (T150 3 Speed), Black, Pair	18608.08
1976-1979 CJ5, 1976-1979 CJ7, 1st & Reverse Shifter Fork (T150 3 Speed)	18883.15
1976-1979 CJ5, 1976-1979 CJ7, 2nd & 3rd Gear Shifter Fork (T150 3 Speed)	18883.16

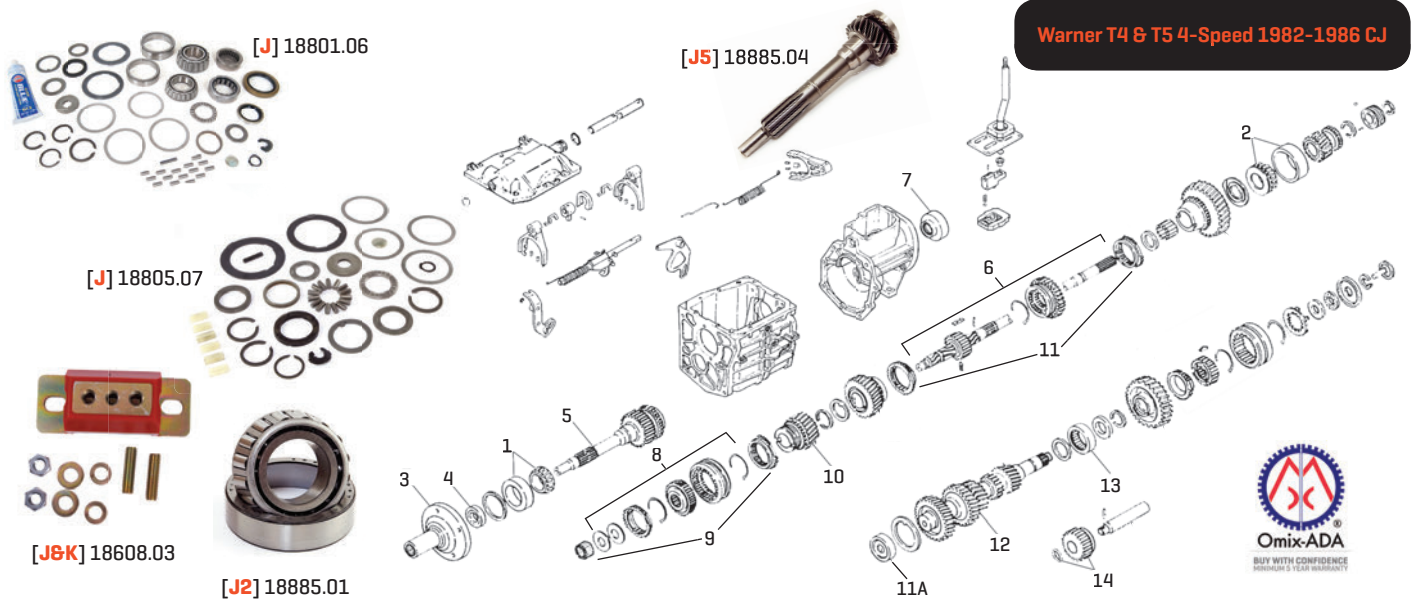


I. 1976-1979 Tremec T176 & T177 4 Speed Transmissions		Part#
18801.05	1976-1979 CJ5, 1976-1979 CJ7, <i>Overhaul Kit</i> (T176 & T177 4 Speeds), Includes: Front & Rear Bearings, Gaskets & Seals Kit & Small Parts Kits	18801.05
16916.01	1976-1979 CJ5, 1976-1979 CJ7, Bellhousing (T176 & T177 4 Speeds)	16916.01
18804.05	1976-1979 CJ5, 1976-1979 CJ7, <i>Gaskets Set</i> (T176 & T177 4 Speeds)	18804.05
18805.05	1976-1979 CJ5, 1976-1979 CJ7, <i>Small Parts Kit</i> (T176 & T177 4 Speeds)	18805.05
18884.01	1976-1979 CJ5, 1976-1979 CJ7, Front Input Shaft Bearing (T176 & T177 4 Speeds)	18884.01
18884.02	1976-1979 CJ5, 1976-1979 CJ7, Rear Main Shaft Bearing (T176 & T177 4 Speeds)	18884.02
18884.03	1976-1979 CJ5, 1976-1979 CJ7, Input Shaft Bearing Retainer (T176 & T177 4 Speeds)	18884.03
18881.03	1976-1979 CJ5, 1976-1979 CJ7, Input Shaft Bearing Retainer Oil Seal (T176 & T177 4 Speeds)	18881.03
18884.06	1976-1979 CJ5, 1976-1979 CJ7, Main Shaft (T176 & T177 4 Speeds)	18884.06
18676.02	1976-1979 CJ5, 1976-1979 CJ7, Input Shaft Seal (T176 & T177 4 Speeds)	18676.02
18884.08	1976-1979 CJ5, 1976-1979 CJ7, <i>3rd & 4th Gear Synchronizer Assembly</i> (T176 & T177 4 Speeds)	18884.08
18883.10	1976-1979 CJ5, 1976-1979 CJ7, <i>3rd & 4th Gear Synchronizer Blocking Ring</i> (T176 & T177 4 Speeds)	18883.10
18884.14	1976-1979 CJ5, 1976-1979 CJ7, <i>1st & 2nd Gear Synchronizer Assembly</i> (T176 & T177 4 Speeds)	18884.14
18883.10	1976-1979 CJ5, 1976-1979 CJ7, <i>1st & 2nd Gear Synchronizer Blocking Ring</i> (T176 & T177 4 Speeds), (2 Required)	18883.10
18884.15	1976-1979 CJ5, 1976-1979 CJ7, <i>Blocking Ring Kit</i> (T176 & T177 4 Speeds), 4 Included	18884.15
18884.17	1976-1979 CJ5, 1976-1979 CJ7, Counter Shaft (T176 & T177 4 Speeds)	18884.17
18884.18	1976-1979 CJ5, 1976-1979 CJ7, Counter Shaft Cluster Gear (T176 & T177 4 Speeds), 34-27-25-15 Tooth Count	18884.18
18884.20	1976-1979 CJ5, 1976-1979 CJ7, Counter Shaft Cluster Gear (T176 & T177 4 Speeds), 33-26-24-15 Tooth Count	18884.20

I. 1976-1979 Tremec T176 & T177 4 Speed Transmissions (continued)		Part#
18884.21	1976-1979 CJ5, 1976-1979 CJ7, Reverse Idler Shaft (T176 & T177 4 Speeds)	18884.21
18884.22	1976-1979 CJ5, 1976-1979 CJ7, Reverse Idler Sliding Gear (T176 & T177 4 Speeds)	18884.22
16916.01	1976-1979 CJ5, 1976-1979 CJ7, Bellhousing (T176 & T177 4 Speeds)	16916.01
18884.25	1976-1979 CJ5, 1976-1979 CJ7, 1st & 2nd Gear Shift Rail (T176 & T177 4 Speeds)	18884.25
18884.26	1976-1979 CJ5, 1976-1979 CJ7, 3rd & 4th Gear Shift Rail (T176 & T177 4 Speeds)	18884.26
18884.27	1976-1979 CJ5, 1976-1979 CJ7, Shift Rail Plate (T176 & T177 4 Speeds), Front	18884.27
18884.28	1976-1979 CJ5, 1976-1979 CJ7, Shift Rail Plate (T176 & T177 4 Speeds), Rear	18884.28
18884.29	1976-1979 CJ5, 1976-1979 CJ7, Reverse Shift Fork (T176 & T177 4 Speeds)	18884.29
18884.30	1976-1979 CJ5, 1976-1979 CJ7, 1st & 2nd Gear Shift Fork (T176 & T177 4 Speeds)	18884.30
18884.31	1976-1979 CJ5, 1976-1979 CJ7, 3rd & 4th Gear Shift Fork (T176 & T177 4 Speeds)	18884.31
18884.32	1976-1979 CJ5, 1976-1979 CJ7, <i>Shifter Service Kit</i> (T176 & T177 4 Speeds)	18884.32
18606.05	1976-1979 CJ5, 1976-1979 CJ7, Shifter Boot (T176 & T177 4 Speeds)	18606.05
18607.03	1976-1979 CJ5, 1976-1979 CJ7, Shifter Knob (T176 & T177 4 Speeds)	18607.03
18884.33	1976-1979 CJ5, 1976-1979 CJ7, Shifter Knob Insert (T176 & T177 4 Speeds)	18884.33
18607.05	1976-1979 CJ5, 1976-1979 CJ7, Shifter Knob Lock Nut (T176 & T177 4 Speeds)	18607.05
18608.02	1976-1979 CJ5, 1976-1979 CJ7, Transfer Case Mount (T176 & T177 4 Speeds)	18608.02
18392.01	1976-1979 CJ5, 1976-1979 CJ7, Polyurethane Mount (T176 & T177 4 Speeds), Red	18392.01
18608.04	1976-1979 CJ5, 1976-1979 CJ7, Polyurethane Mount (T176 & T177 4 Speeds), Black	18608.04
18608.05	1976-1979 CJ5, 1976-1979 CJ7, Stabilizer Stud, Transmission Mount (T176 & T177 4 Speeds)	18608.05
18608.06	1976-1979 CJ5, 1976-1979 CJ7, Stabilizer Bushing (T176 & T177 4 Speeds), (2 Required)	18608.06
18369.01	1976-1979 CJ5, 1976-1979 CJ7, Polyurethane Stabilizer Bushing (T176 & T177 4 Speeds), Red, Pair	18369.01
18608.08	1976-1979 CJ5, 1976-1979 CJ7, Polyurethane Stabilizer Bushing (T176 & T177 4 Speeds), Black, Pair	18608.08
18884.37	1976-1979 CJ5, 1976-1979 CJ7, Shifter Lever (T176 & T177 4 Speeds)	18884.37

J. 1982-1986 Warner T4 4 Speed Transmission		Part#
	RTV Silicon [3 oz]	19201.01
	1982-1983 CJ5, 1982-1986 CJ7, 1982-1986 CJ8, Small Parts Kits, [T4 4 Speed]	18805.07
1	1982-1983 CJ5, 1982-1986 CJ7, 1982-1986 CJ8, Front Input Shaft Bearing, [T4 4 Speed]	16536.15
2	1982-1983 CJ5, 1982-1986 CJ7, 1982-1986 CJ8, Rear Main Shaft Bearing, [T4 4 Speed]	18885.01
3	1982-1983 CJ5, 1982-1986 CJ7, 1982-1986 CJ8, Front Input Shaft Bearing Retainer, [T4 4 Speed]	18885.02
4	1982-1983 CJ5, 1982-1986 CJ7, 1982-1986 CJ8, Main Drive Oil Seal Retainer, [T4 4 Speed]	18885.03
5	1982-1983 CJ5, 1982-1986 CJ7, 1982-1986 CJ8, Input Shaft With 4Th Gear [T4 4 Speed], 21 Tooth Gear, 10 Spline	18885.04
6	1982-1983 CJ5, 1982-1986 CJ7, 1982-1986 CJ8, Main Shaft With 1St & 2Nd Gear Synchronizer, [T4 4 Speed], Models Without 1St Gear Needle Bearing	18885.06
7	1982-1983 CJ5, 1982-1986 CJ7, 1982-1986 CJ8, Rear Output Shaft Oil Seal [T4 4 Speed]	18885.08
9	1982-1983 CJ5, 1982-1986 CJ7, 1982-1986 CJ8, 3rd & 4th Gear Synchronizer Blocking Ring [T4 4 Speed]	18885.10
10	1982-1983 CJ5, 1982-1986 CJ7, 1982-1986 CJ8, 3rd Gear [T4 4 Speed], 27 Tooth	18885.11
11	1982-1983 CJ5, 1982-1986 CJ7, 1982-1986 CJ8, 1st & 2nd Gear Synchronizer Blocking Ring [T4 4 Speed], [2 Required]	18885.14
12	1982-1983 CJ5, 1982-1986 CJ7, 1982-1986 CJ8, Cluster Gear Kit, [T4 4 Speed], Includes 3rd Gear	18885.16
13	1982-1983 CJ5, 1982-1986 CJ7, 1982-1986 CJ8, Rear Cluster Gear Bearing, [T4 4 Speed]	16536.22

J. 1982-1986 Warner T4 4 Speed Transmission Cont.		Part#
14	1982-1983 CJ5, 1982-1986 CJ7, 1982-1986 CJ8, Reverse Idler Gear [T4 4 Speed], With Bushing	18885.26
	1982-1983 CJ5, 1982-1986 CJ7, 1982-1986 CJ8, Bellhousing [T4 4 Speed]	16916.02
	1982-1983 CJ5, 1982-1986 CJ7, 1982-1986 CJ8, Shifter Boot, [T4 4 Speed]	18806.03
	1982-1983 CJ5, 1982-1986 CJ7, 1982-1986 CJ8, Shifter Knob [T4 4 Speed]	18607.03
	1982-1983 CJ5, 1982-1986 CJ7, 1982-1986 CJ8, Shifter Knob Insert [T4 4 Speed]	18884.33
	1982-1983 CJ5, 1982-1986 CJ7, 1982-1986 CJ8, Shifter Knob Lock Nut [T4 4 Speed]	18607.05
	1982-1983 CJ5, 1982-1986 CJ7, 1982-1986 CJ8, Transfer Case Mount [T4 4 Speeds]	18608.02
	1982-1983 CJ5, 1982-1986 CJ7, 1982-1986 CJ8, Polyurethane Mount [T4 4 Speeds], Red UPGRADE	18608.03
	1982-1983 CJ5, 1982-1986 CJ7, 1982-1986 CJ8, Polyurethane Mount [T4 4 Speeds], Black UPGRADE	18608.04
	1982-1983 CJ5, 1982-1986 CJ7, 1982-1986 CJ8, Stabilizer Stud, Transmission Mount [T4 4 Speeds]	18608.05
	1982-1983 CJ5, 1982-1986 CJ7, 1982-1986 CJ8, Stabilizer Bushing [T4 4 Speeds], [2 Required]	18608.06
	1982-1983 CJ5, 1982-1986 CJ7, 1982-1986 CJ8, Polyurethane Stabilizer Bushing [T4 4 Speeds], Red, Pair UPGRADE	18608.07
	1982-1983 CJ5, 1982-1986 CJ7, 1982-1986 CJ8, Polyurethane Stabilizer Bushing [T4 4 Speeds], Black, Pair UPGRADE	18608.08
	1982-1983 CJ5, 1982-1986 CJ7, 1982-1986 CJ8, Shifter Boot [T4 4 Speed]	18885.30
	1982-1983 CJ5, 1982-1986 CJ7, 1982-1986 CJ8, Shifter Lever Kit [T4 4 Speed]	18885.31
	1982-1983 CJ5, 1982-1986 CJ7, 1982-1986 CJ8, Shifter Handle Clip [T4 4 Speed]	18885.32
	1982-1983 CJ5, 1982-1986 CJ7, 1982-1986 CJ8, Shifter Handle Insulator [T4 4 Speed]	18885.33
	1982-1983 CJ5, 1982-1986 CJ7, 1982-1986 CJ8, Shifter Lever [T4 4 Speed]	18885.34



K. 1982-1986 Warner T5 5 Speed Transmission		Part#
	1982-1983 CJ5, 1982-1986 CJ7, 1982-1986 CJ8, Overhaul Kit [T5 5 Speed], Includes Front & Rear Bearings, Gaskets & Seals Kit, Small Parts Kits	18806.07
	RTV Silicon [3 oz]	19201.01
	1982-1983 CJ5, 1982-1986 CJ7, 1982-1986 CJ8, Small Parts Kits [T5 5 Speed]	18805.07
1	1982-1983 CJ5, 1982-1986 CJ7, 1982-1986 CJ8, Front Input Shaft Bearing [T5 5 Speed]	16536.15
2	1982-1983 CJ5, 1982-1986 CJ7, 1982-1986 CJ8, Rear Main Shaft Bearing [T5 5 Speed]	18885.01
3	1982-1983 CJ5, 1982-1986 CJ7, 1982-1986 CJ8, Front Input Shaft Bearing Retainer [T5 5 Speed]	18885.02
4	1982-1983 CJ5, 1982-1986 CJ7, 1982-1986 CJ8, Rear Main Shaft Bearing Retainer [T5 5 Speed]	18885.03
5	1982-1983 CJ5, 1982-1986 CJ7, 1982-1986 CJ8, Input Shaft With 4th Gear [T5 5 Speed], 21 Tooth, 10 Spline	18885.04

K. 1982-1986 Warner T5 5 Speed Transmission		Part#
6	1982-1983 CJ5, 1982-1986 CJ7, 1982-1986 CJ8, Main Shaft With 1St & 2Nd Gear Synchronizer, [T5 5 Speed], Models Without 1St Gear Needle Bearing	18885.06
	1982-1983 CJ5, 1982-1986 CJ7, 1982-1986 CJ8, Rear Output Shaft Oil Seal [T5 5 Speed]	18885.08
8	1982-1983 CJ5, 1982-1986 CJ7, 1982-1986 CJ8, 3rd & 4th Gear Synchronizer Blocking Ring [T5 5 Speed]	18885.10
9	1982-1983 CJ5, 1982-1986 CJ7, 1982-1986 CJ8, 3rd Gear [T5 5 Speed], 27 Tooth	18885.11
10	1982-1983 CJ5, 1982-1986 CJ7, 1982-1986 CJ8, 1st & 2nd Gear Synchronizer Blocking Ring [T5 5 Speed], [2 Required]	18885.14
11	1982-1983 CJ5, 1982-1986 CJ7, 1982-1986 CJ8, Cluster Gear Kit, [T5 5 Speed], Includes 3rd Gear	18885.17
11A	1982-1983 CJ5, 1982-1986 CJ7, 1982-1986 CJ8, Front Cluster Gear Bearing [T5 5 Speed]	18885.19
12	1982-1983 CJ5, 1982-1986 CJ7, 1982-1986 CJ8, Rear Cluster Gear Bearing [T5 5 Speed]	16536.22
13	1982-1983 CJ5, 1982-1986 CJ7, 1982-1986 CJ8, 5th Gear Synchronizer Blocking Ring [T5 5 Speed]	18885.23

[K. Continued on next page]

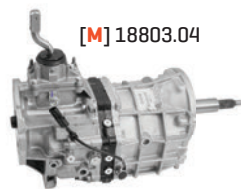
K. 1982-1986 Warner T5 5 Speed Transmission
(Continued from Previous Page)

Part#

14	1982-1983 CJ5, 1982-1986 CJ7, 1982-1986 CJ8, Reverse Gear Idler (T5 5 Speed), With Bushing	18885.26
	1982-1983 CJ5, 1982-1986 CJ7, 1982-1986 CJ8, Bellhousing (T5 5 Speed), With Bushing	16916.02
	1982-1983 CJ5, 1982-1986 CJ7, 1982-1986 CJ8, Shifter Boot (T5 5 Speed), With Bushing	18806.03
	1982-1983 CJ5, 1982-1986 CJ7, 1982-1986 CJ8, Shifter Knob (T5 5 Speed), With Bushing	18607.03
	1982-1983 CJ5, 1982-1986 CJ7, 1982-1986 CJ8, Shifter Knob Insert (T5 5 Speed), With Bushing	18885.28
	1982-1983 CJ5, 1982-1986 CJ7, 1982-1986 CJ8, Shifter Knob Lock Nut (T5 5 Speed), With Bushing	18607.05
	1982-1983 CJ5, 1982-1986 CJ7, 1982-1986 CJ8, Transfer Case Mount (T5 5 Speeds)	18608.02
	1982-1983 CJ5, 1982-1986 CJ7, 1982-1986 CJ8, Polyurethane Mount (T5 5 Speeds), Red	18608.03
	1982-1983 CJ5, 1982-1986 CJ7, 1982-1986 CJ8, Polyurethane Mount (T5 5 Speeds), Black	18608.04
	1982-1983 CJ5, 1982-1986 CJ7, 1982-1986 CJ8, Stabilizer Stud, Transmission Mount (T5 5 Speeds)	18608.05
	1982-1983 CJ5, 1982-1986 CJ7, 1982-1986 CJ8, Stabilizer Bushing (T5 5 Speeds), [2 Required]	18608.06
	1982-1983 CJ5, 1982-1986 CJ7, 1982-1986 CJ8, Polyurethane Stabilizer Bushing (T5 5 Speeds), Red, Pair	18608.07
	1982-1983 CJ5, 1982-1986 CJ7, 1982-1986 CJ8, Polyurethane Stabilizer Bushing (T5 5 Speeds), Black, Pair	18608.08
	1982-1983 CJ5, 1982-1986 CJ7, 1982-1986 CJ8, Shifter Boot (T5 5 Speed), With Bushing	18885.30
	1982-1983 CJ5, 1982-1986 CJ7, 1982-1986 CJ8, Shifter Lever Kit (T5 5 Speed)	18885.31
	1982-1983 CJ5, 1982-1986 CJ7, 1982-1986 CJ8, Shifter Handle Clip (T5 5 Speed)	18885.32
	1982-1983 CJ5, 1982-1986 CJ7, 1982-1986 CJ8, Shifter Handle Insulator (T5 5 Speed)	18885.33
	1982-1983 CJ5, 1982-1986 CJ7, 1982-1986 CJ8, Shifter Lever (T5 5 Speed)	18885.34



[L] 19201.01



[M] 18803.04

**Aisin AX4/AX5
1987-2002 4cyl
Wrangler &
1984-2001
Cherokee**

L. Peugeot BA 10 5 Speed Transmission

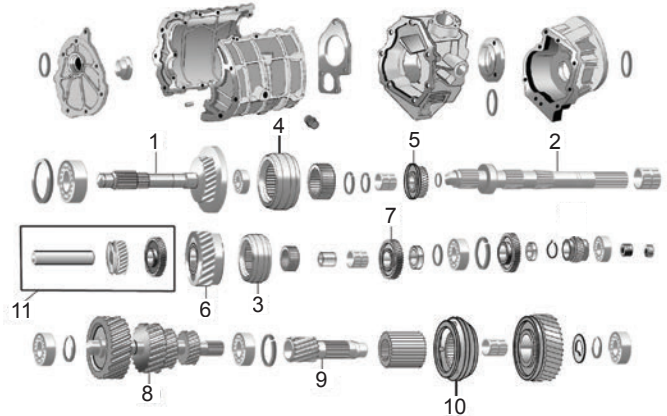
Part#

	1987-1989 Wrangler, 1987-1989 Cherokee, Bearing & Seal Kit	18801.11
	RTV Silicon (3 oz)	19201.01
1	1987-1989 Wrangler, 1987-1989 Cherokee, Input Shaft	18888.01
1	1987-1989 Wrangler, 1987-1989 Cherokee, Input Shaft	18888.02
2	1987-1989 Wrangler, 1987-1989 Cherokee, Main Shaft	18888.03
3	1987-1989 Wrangler, 1987-1989 Cherokee, 1st & 2nd Gear Synchronizer Assembly	18888.04
5	1987-1989 Wrangler, 1987-1989 Cherokee, 3rd Gear	18888.06
6	1987-1989 Wrangler, 1987-1989 Cherokee, 2nd Gear	18888.07
7	1987-1989 Wrangler, 1987-1989 Cherokee, 1st Gear, 12-32 Tooth Count	18888.08
7	1987-1989 Wrangler, 1987-1989 Cherokee, 1st Gear, 12-34 Tooth Count	18888.09
8	1987-1989 Wrangler, 1987-1989 Cherokee, Cluster Gear	18888.10
8	1987-1989 Wrangler, 1987-1989 Cherokee, Cluster Gear	18888.11
9	1987-1989 Wrangler, 1987-1989 Cherokee, 5th Gear	18888.12
10	1987-1989 Wrangler, 1987-1989 Cherokee, 5th Gear Synchronizer	18888.14
11	1987-1989 Wrangler, 1987-1989 Cherokee, Reverse Gear Kit, Includes: Gear, Reverse Rail & Reverse Idler	18888.15
	1987-1989 Wrangler, 1987-1989 Cherokee, Transmission Mount	18608.09
	1987-1989 Wrangler, 1987-1989 Cherokee, Stabilizer Stud, Transmission Mount	18608.05
	1987-1989 Wrangler, 1987-1989 Cherokee, Stabilizer Bushing, [2 Required]	18608.06
	1987-1989 Wrangler, 1987-1989 Cherokee, Polyurethane Stabilizer Bushing, Red, Pair	18608.07
	1987-1989 Wrangler, 1987-1989 Cherokee, Polyurethane Stabilizer Bushing, Black, Pair	18608.08
	1984-1994 Cherokee, 1997-2004 Wrangler, Manual Transmission Shifter Bezel NEW	18886.94
	1984-1988 Cherokee, Shifter Boot NEW	18887.87



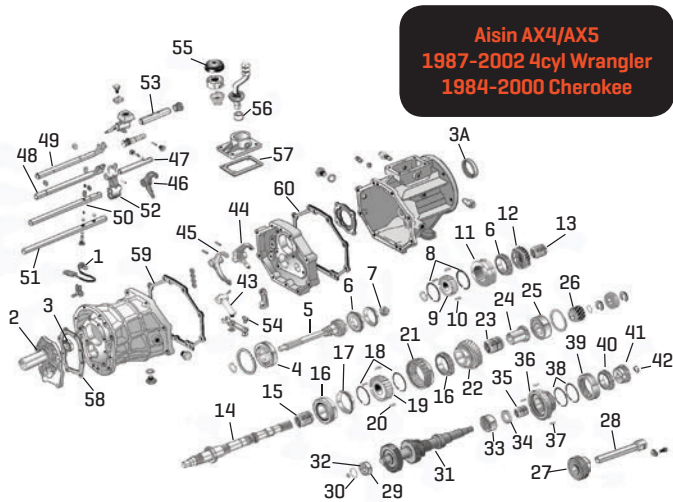
[L] 18801.11

**Peugot BA 10/5 5-Speed
1987-1989 Wrangler & Cherokee**

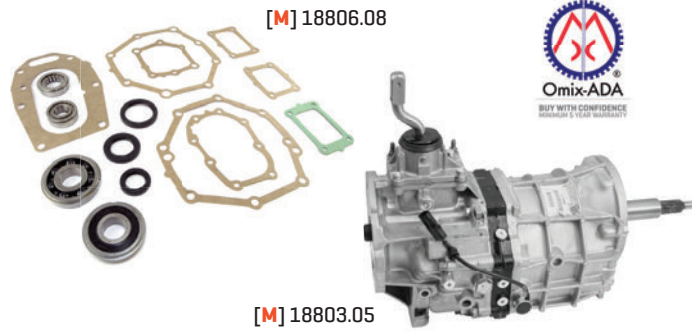
**M. 1984-2002 Aisin AX4 / AX5 5 Speed Transmissions**

Part#

	1984-1996 Cherokee [2.5L], 1987-1995 Wrangler [2.5L] AX5 Transmission Assembly [5 Speed]	18803.04
	1987-2002 Wrangler [2.5L] AX5 Transmission Assembly [5 Speed]	18803.05
	1984-1987 Cherokee, Overhaul Kit [AX5 5 Speed]	18806.08
	1987-2002 Wrangler, 1988-2001 Cherokee, Overhaul Kit [AX5 5 Speed]	18806.09
1	1984-2000 Cherokee, 1987-2002 Wrangler, Backup Light Switch [AX4 & AX5 5 Speed]	18886.01
2	1984-1993 Cherokee, 1987-1993 Wrangler, Front Bearing Retainer [AX4 & AX5 5 Speed]	18886.02
2	1994-1999 Cherokee, 1994-2001 Wrangler, Front Bearing Retainer [AX4 & AX5 5 Speed]	18886.03
3	1984-2001 Cherokee, 1987-2002 Wrangler, Front Bearing Retainer Seal [AX4 & AX5 5 Speed]	18886.04
3	1984-2001 Cherokee, 1987-2002 Wrangler, Rear Output Seal [AX4 & AX5 5 Speed]	18886.05
4	1984-1985 Cherokee, Front Input Shaft Seal [AX4 & AX5 5 Speed]	18886.06
4	1986-2001 Cherokee, 1987-2002 Wrangler, Front Input Shaft Seal [AX4 & AX5 5 Speed]	18886.07
5	1984-1985 Cherokee, Front Input Shaft [AX4 & AX5 5 Speed]	18886.08
5	1986-1988 Cherokee, 1987-1988 Wrangler, Front Input Shaft [AX4 & AX5 5 Speed]	18886.09
5	1989-2002 Wrangler, 1988-2001 Cherokee, Front Input Shaft [AX4 & AX5 5 Speed]	18886.10
6	1984-2001 Cherokee, 1987-2002 Wrangler, 3rd & 4th Synchronizer Blocking Ring [AX4 & AX5 5 Speed], [2 Required]	18886.11
7	1984-2001 Cherokee, 1987-2002 Wrangler, Input Shaft Needle bearing [AX4 & AX5 5 Speed], [14 Required]	18886.12
8	1984-2001 Cherokee, 1987-2002 Wrangler, 3rd & 4th Synchronizer Spring [AX4 & AX5 5 Speed], [2 Required]	18886.13
9	1984-1988 Cherokee, 1987-1988 Wrangler, 3rd & 4th Synchronizer Hub [AX4 & AX5 5 Speed]	18886.14
9	1989-2001 Cherokee, 1989-2002 Wrangler, 3rd & 4th Synchronizer Hub [AX4 & AX5 5 Speed]	18886.15
10	1984-1988 Cherokee, 1987-1988 Wrangler, 3rd & 4th Synchronizer Key [AX4 & AX5 5 Speed]	18886.16
10	1989-2001 Cherokee, 1989-2002 Wrangler, 3rd & 4th Synchronizer Key [AX4 & AX5 5 Speed]	18886.17
11	1984-1988 Cherokee, 1987-1988 Wrangler, 3rd & 4th Synchronizer Sleeve [AX4 & AX5 5 Speed]	18886.18
11	1997-2001 Cherokee, 1997-2002 Wrangler, 3rd & 4th Synchronizer Sleeve [AX4 & AX5 5 Speed]	18886.20
12	1989-2001 Cherokee, 1989-2002 Wrangler, 3rd Gear [AX4 & AX5 5 Speed]	18886.22
13	1984-2001 Cherokee, 1987-2002 Wrangler, 3rd Gear Needle Bearing [AX4 & AX5 5 Speed]	18886.23
14	1984-2001 Cherokee, 1987-2002 Wrangler, Main Shaft [AX4 & AX5 5 Speed]	18886.24
15	1984-2001 Cherokee, 1987-2002 Wrangler, Main Shaft 1st Gear Pin [AX4 & AX5 5 Speed]	18886.25
15	1987-2002 Wrangler, 2nd Gear Needle Bearing [AX4 & AX5 5 Speed]	18886.26
16	1984-1996 Cherokee, 2nd Gear Needle Bearing [AX4 & AX5 5 Speed]	18886.26
16	1984-1988 Cherokee, 1987-1988 Wrangler, 2nd Gear [AX4 & AX5 5 Speed]	18886.27
16	1989-2001 Cherokee, 1989-2002 Wrangler, 2nd Gear [AX4 & AX5 5 Speed]	18886.28



Aisin AX4/AX5
1987-2002 4cyl Wrangler
1984-2000 Cherokee

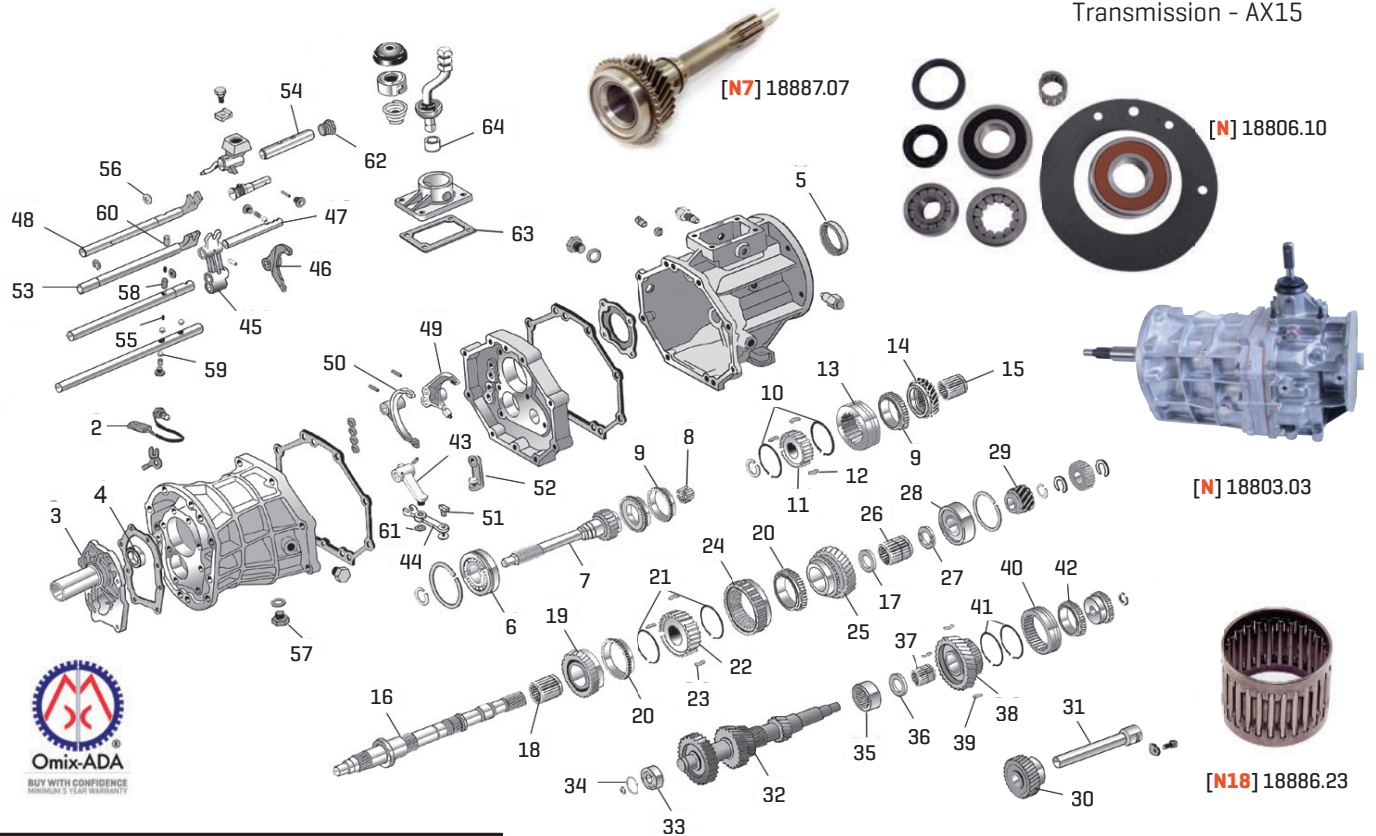


M. 1984-2002 Aisin AX4 / AX5 5 Speed Transmissions (continued)

	Part#	
17	1984-2001 Cherokee, 1987-2002 Wrangler, 1st & 2nd Synchronizer Blocking Ring [AX4 & AX5 5 Speed]	18886.29
18	1984-2001 Cherokee, 1987-2002 Wrangler, 1st & 2nd Synchronizer Spring [AX4 & AX5 5 Speed], [2 Required]	18886.30
19	1984-2001 Cherokee, 1987-2002 Wrangler, 1st & 2nd Synchronizer Hub [AX4 & AX5 5 Speed]	18886.31
20	1984-2001 Cherokee, 1987-2002 Wrangler, 1st & 2nd Synchronizer Key Plate [AX4 & AX5 5 Speed]	18886.32
21	1984-1997 Cherokee, 1987-1998 Wrangler, Reverse Gear [AX4 & AX5 5 Speed]	18886.33
21	1999-2002 Wrangler, 1998-2000 Cherokee, Reverse Gear [AX4 & AX5 5 Speed]	18886.34
22	1984-1988 Cherokee, 1987-1988 Wrangler, 1st Gear [AX4 & AX5 5 Speed]	18886.35
22	1989-2001 Cherokee, 1989-2002 Wrangler, 1st Gear [AX4 & AX5 5 Speed]	18886.36
23	1984-1988 Cherokee, 1987-1988 Wrangler, 1st Gear Needle Bearing [AX4 & AX5 5 Speed]	18886.37
23	1989-2001 Cherokee, 1989-2002 Wrangler, 1st Gear Needle Bearing [AX4 & AX5 5 Speed]	18886.38
24	1984-1988 Cherokee, 1987-1988 Wrangler, 1st Gear Race [AX4 & AX5 5 Speed]	18886.39
24	1989-2001 Cherokee, 1989-2002 Wrangler, 1st Gear Race [AX4 & AX5 5 Speed]	18886.40
25	1984-1988 Cherokee, 1987-1988 Wrangler, Main Shaft Rear Bearing [AX4 & AX5 5 Speed]	18886.41
25	1989-2001 Cherokee, 1989-2002 Wrangler, Main Shaft Rear Bearing [AX4 & AX5 5 Speed]	18886.42
26	1989-2001 Cherokee, 1989-2002 Wrangler, 5th Gear Main Shaft Side [AX4 & AX5 5 Speed]	18886.43
27	1984-1997 Cherokee, 1987-1998 Wrangler, Reverse Idler Gear [AX4 & AX5 5 Speed]	18886.44
27	1998-2000 Cherokee, 1999-2002 Wrangler, Reverse idler Gear [AX4 & AX5 5 Speed]	18886.45
28	1984-1997 Cherokee, 1987-1998 Wrangler, Reverse Idler Shaft [AX4 & AX5 5 Speed]	18886.46
29	1984-2001 Cherokee, 1987-2002 Wrangler, Cluster Gear Front Bearing [AX4 & AX5 5 Speed], [2 Required]	18886.47
30	1984-2001 Cherokee, 1987-2002 Wrangler, Snap Ring [AX4 & AX5 5 Speed], 2.25mm	18892.28
31	1984-1988 Cherokee, 1987-1988 Wrangler, Cluster Gear [AX4 & AX5 5 Speed]	18886.48
31	1987-1999 Wrangler, 1989-1997 Cherokee, Reverse Idler Gear [AX4 & AX5 5 Speed]	18886.49
31	1998-2000 Cherokee, Reverse Idler Gear [AX4 & AX5 5 Speed]	18886.50
31	1984-1988 Cherokee, 1987-1988 Wrangler, Cluster Gear Nut [AX4 & AX5 5 Speed]	18886.51
32	1987-1999 Wrangler, 1989-1997 Cherokee, Reverse Idler Gear [AX4 & AX5 5 Speed]	18886.52
33	1984-1988 Cherokee, 1987-1988 Wrangler, Cluster Gear Rear Bearing [AX4 & AX5 5 Speed]	18886.53
33	1989-2002 Wrangler, 1989-2001 Cherokee, Cluster Gear Rear Bearing [AX4 & AX5 5 Speed]	18886.54
34	1987-1999 Wrangler, 1989-1997 Cherokee, Cluster Gear Thrush Washer [AX4 & AX5 5 Speed]	18886.55
35	1987-1999 Wrangler, 1989-1997 Cherokee, 5th Gear Needle Bearing [AX4 & AX5 5 Speed]	18886.56
36	1987-1999 Wrangler, 1989-1997 Cherokee, 5th Gear [AX4 & AX5 5 Speed], Cluster Gear Side	18886.57
37	1987-1999 Wrangler, 1989-1997 Cherokee, 5th Gear Synchronizer Key Plate [AX4 & AX5 5 Speed]	18886.58
38	1984-1998 Cherokee, 1987-1999 Wrangler, 5th Gear Synchronizer Spring [AX4 & AX5 5 Speed], [2 Required]	18886.13
39	1989-1993 Cherokee, 1989-1993 Wrangler, 5th Gear Synchronizer Sleeve [AX4 & AX5 5 Speed]	18886.60

M. 1984-2002 Aisin AX4 / AX5 5 Speed Transmissions (continued)

	Part#	
39	1994-2002 Wrangler, 1994-2001 Cherokee, 5th Gear Synchronizer Sleeve [AX4 & AX5 5 Speed]	18886.61
40	1984-2001 Cherokee, 1987-2002 Wrangler, 5th Gear Synchronizer [AX4 & AX5 5 Speed]	18886.11
41	1989-1993 Wrangler, 1989-1993 Cherokee, 5th Gear Spacer [AX4 & AX5 5 Speed]	18886.63
42	1984-2001 Cherokee, 1987-2002 Wrangler, 5th Gear Snap Ring [AX4 & AX5 5 Speed], 2.73mm	18892.08
42	1984-2001 Cherokee, 1987-2002 Wrangler, 5th Gear Snap Ring [AX4 & AX5 5 Speed], 3.03mm	18892.13
43	1984-2001 Cherokee, 1987-2002 Wrangler, Reverse Shift Fork [AX4 & AX5 5 Speed], 3.03mm	18886.64
44	1984-1989 Cherokee, 1987-1989 Wrangler, 1st & 2nd Gear Shift Fork [AX4 & AX5 5 Speed]	18886.66
44	1990-1999 Wrangler, 1990-1999 Cherokee, 2nd & 3rd Gear Shift Fork [AX4 & AX5 5 Speed]	18886.67
45	1984-2001 Cherokee, 1987-2002 Wrangler, 3rd & 4th Gear Shift Fork & Sleeve Kit [AX4 & AX5 5 Speed]	18886.68
46	1987-1993 Wrangler, 1987-1993 Cherokee, 5th Gear Shift Fork [AX4 & AX5 5 Speed]	18886.69
46	1993-2002 Wrangler, 1993-2001 Cherokee, 5th Gear Shift Fork [AX4 & AX5 5 Speed]	18886.70
47	1984-2001 Cherokee, 1987-2002 Wrangler, Reverse Gear Shift Shaft [AX4 & AX5 5 Speed]	18886.71
48	1984-1999 Cherokee, 1987-1999 Wrangler, 5th Gear Shift Shaft [AX4 & AX5 5 Speed]	18886.72
49	1987-2002 Wrangler, 1987-2001 Cherokee, 3rd & 4th Gear Shaft [AX4 & AX5 5 Speed]	18886.73
50	1984-1988 Cherokee, 1987-1988 Wrangler, Reverse Gear Shaft [AX4 & AX5 5 Speed]	18886.74
50	1988-1999 Wrangler, 1988-1999 Cherokee, Reverse Gear Shaft [AX5 5 Speed]	18886.75
51	1987-1999 Wrangler, 1987-1999 Cherokee, 5th Gear Shaft [AX5 5 Speed]	18886.76
52	1984-1996 Cherokee, 1987-1996 Wrangler, Reverse Shift Head [AX4 & AX5 5 Speed]	18886.77
52	1997-2002 Wrangler, 1997-2001 Cherokee, Reverse Shift Head [AX4 & AX5 5 Speed]	18886.78
53	1987-1999 Wrangler, 1987-1999 Cherokee, Shift Lever Shaft [AX5 5 Speed]	18886.79
	1987-1999 Wrangler, 1987-1999 Cherokee, Reverse Right Hand Shift Pin [AX5 5 Speed]	18886.80
	1987-1999 Wrangler, 1987-1999 Cherokee, Reverse Left Hand Shift Pin [AX5 5 Speed]	18886.81
	1984-2001 Cherokee, 1987-2002 Wrangler, Reverse Ball [AX4 & AX5 5 Speed], 2.73mm	18886.82
	1984-2001 Cherokee, 1987-2002 Wrangler, Oil Filler Tube [AX4 & AX5 5 Speed], 2.73mm	18886.83
54	1984-2001 Cherokee, 1987-2002 Wrangler, Shift Arm Tube [AX4 & AX5 5 Speed], 2.73mm	18886.84
55	1987-1999 Wrangler, 1987-1999 Cherokee, Shifter Boot [AX4 & AX5 5 Speed]	18886.85
56	1987-1999 Wrangler, 1987-1999 Cherokee, Shifter Cup Bushing [AX4 & AX5 5 Speed]	18886.86
57	1987-1999 Wrangler, 1987-1999 Cherokee, Shifter Cover Gasket [AX4 & AX5 5 Speed]	18886.87
	1987-1995 Wrangler, Transmission Mount, [AX4 & AX5 5 Speed]	18608.09
	1997-2006 Wrangler, Transmission Mount, [AX4 & AX5 5 Speed]	18608.10
	1997-2006 Wrangler, Polyurethane Transmission Mount, [AX4 & AX5 5 Speed], Red	18608.11
	1997-2006 Wrangler, Polyurethane Transmission Mount, [AX4 & AX5 5 Speed], Black	18608.12
	1987-1996 Wrangler, Transmission Mount, [AX4 & AX5 5 Speed]	19005.03
	1984-2001 Cherokee, 1987-2002 Wrangler, Gasket Set [AX4 & AX5 5 Speed]	18804.06
58	1984-2001 Cherokee, 1987-2002 Wrangler, Shifter Cover Gasket [AX4 & AX5 5 Speed]	18886.89
59	1984-2001 Cherokee, 1987-2002 Wrangler, Front Intermediate Gasket [AX4 & AX5 5 Speed]	18886.90
60	1984-2001 Cherokee, 1987-2002 Wrangler, Adapter Plate Gasket [AX4 & AX5 5 Speed]	18886.91



N. 1989-1999 Aisin AX15 5 Speed Transmissions

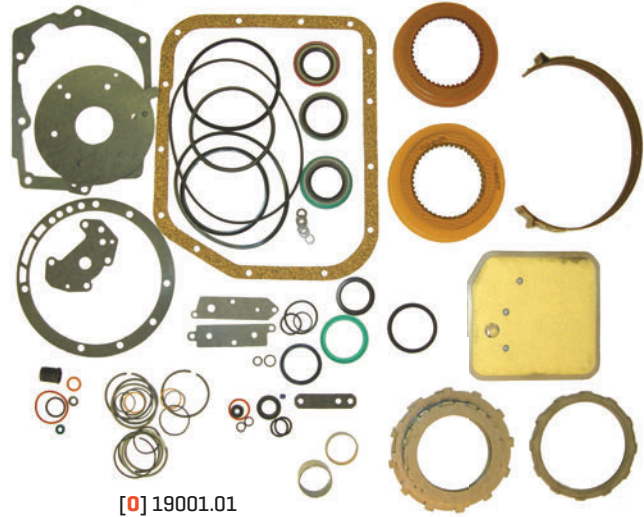
	Part#
1994-1999 Wrangler, 1994-1999 Cherokee, AX15 Transmission Assembly [5 Speed]	18803.03
1 1989-1999 Wrangler, 1989-1999 Cherokee, Overhaul Kit [AX15 5 Speed]	18806.10
2 1987-1999 Wrangler, 1987-1999 Cherokee, Backup Light Switch [AX15 5 Speed]	18886.01
3 1987-1991 Wrangler, 1987-1991 Cherokee, Front Bearing Retainer [AX15 5 Speed]	18887.01
3 1992-1993 Wrangler, 1992-1993 Cherokee, Front Bearing Retainer [AX15 5 Speed]	18887.02
3 1994-1999 Wrangler, 1994-1999 Cherokee, Front Bearing Retainer [AX15 5 Speed]	18887.03
4 1989-1999 Wrangler, 1989-1999 Cherokee, Front Bearing Retainer Oil Seal [AX15 5 Speed]	18887.04
5 1989-1999 Wrangler [4WD], 1989-1999 Cherokee [4WD], Rear Adapter Oil Seal [AX15 5 Speed]	18886.05
6 1989-1999 Wrangler, 1989-1999 Cherokee, Input Shaft Bearing Retainer [AX15 5 Speed]	18887.06
7 1989-1999 Wrangler, 1989-1999 Cherokee, Input Shaft Bearing Retainer [AX15 5 Speed]	18887.07
7 1987-1991 Wrangler, 1987-1991 Cherokee, Input Shaft [AX15 5 Speed]	18887.08
7 1992-1993 Wrangler, 1992-1993 Cherokee, Input Shaft [AX15 5 Speed]	18887.09
8 1994-1999 Wrangler, 1994-1999 Cherokee, Input Shaft [AX15 5 Speed]	18887.10
9 1989-1999 Wrangler, 1989-1997 Cherokee, 1999 Cherokee, 3rd & 4th Gear Synchronizer Ring [AX15 5 Speed], [2 Required]	18887.11
9 1998-1999 Cherokee, 3rd & 4th Gear Synchronizer Blocking Ring [AX15 5 Speed], [2 Required]	18887.12
10 1989-1999 Wrangler, 1989-1999 Cherokee, 3rd & 4th Gear Synchronizer Spring [AX15 5 Speed], [2 Required]	18887.13
11 1989-1999 Wrangler, 1989-1999 Cherokee, 3rd & 4th Gear Synchronizer Hub [AX15 5 Speed]	18887.14
12 1989-1999 Wrangler, 1989-1999 Cherokee, 3rd & 4th Gear Synchronizer Key Plate [AX15 5 Speed], [3 Required]	18887.15
13 1989-1997 Wrangler, 1989-1997 Cherokee, 3rd & 4th Gear Synchronizer Sleeve [AX15 5 Speed]	18887.16
13 1998-1999 Wrangler, 1998-1999 Cherokee, 3rd & 4th Gear Synchronizer Sleeve [AX15 5 Speed]	18887.17
14 1989-1997 Wrangler, 1989-1997 Cherokee, 3rd Gear [AX15 5 Speed]	18887.18
14 1998-1999 Wrangler, 1998-1999 Cherokee, 3rd Gear [AX15 5 Speed]	18887.19
15 1989-1999 Wrangler, 1989-1999 Cherokee, 3rd Gear Needle Bearing [AX15 5 Speed]	18887.20
16 1987-1999 Wrangler, 198-1999 Cherokee, Mainshaft [AX15 5 Speed], 16-1/8"	18887.21
17 1987-1999 Wrangler, 198-1999 Cherokee, Mainshaft 1st Gear Spacer [AX15 5 Speed]	18887.22

N. 1989-1999 Aisin AX15 5 Speed Transmissions (continued)

	Part#
18 1989-1999 Wrangler, 1989-1999 Cherokee, 2nd Gear Needle Bearing	18886.23
19 1989-1991 Wrangler, 1989-1991 Cherokee, 2nd Gear	18887.24
19 1992-1999 Wrangler, 1992-1999 Cherokee, 2nd Gear	18887.25
20 1987-1999 Wrangler, 1987-1999 Cherokee, 1st & 2nd Gear Synchronizer Ring, [2 Required]	18887.26
21 1987-1999 Wrangler, 1987-1999 Cherokee, 1st & 2nd Gear Synchronizer Spring	18887.27
22 1987-1999 Wrangler, 1987-1999 Cherokee, 1st & 2nd Gear Synchronizer Hub	18887.28
23 1987-1999 Wrangler, 1987-1999 Cherokee, 1st & 2nd Gear Synchronizer Key, [3 Required]	18887.29
24 1987-1999 Wrangler, 1987-1999 Cherokee, Reverse Gear	18887.30
25 1989-1992 Wrangler, 1989-1992 Cherokee, 1st Gear	18887.31
25 1993-1999 Wrangler, 1993-1999 Cherokee, 1st Gear	18887.32
26 1987-1999 Wrangler, 1987-1999 Cherokee, 1st Gear Needle Bearing	18887.33
27 1987-1999 Wrangler, 1987-1999 Cherokee, 1st Gear Thrust Washer	18887.34
28 1987-1999 Wrangler, 1987-1999 Cherokee, Main Shaft Rear Bearing	18887.35
29 1987-1999 Wrangler, 1987-1999 Cherokee, 5th Gear, Main Shaft Side	18887.36
30 1987-1999 Wrangler, 1987-1999 Cherokee, Reverse Idler Gear	18887.37
31 1987-1999 Wrangler, 1987-1999 Cherokee, Reverse Idler Shaft	18887.38
32 1987-1991 Wrangler, 1987-1991 Cherokee, Cluster Gear	18887.39
32 1992-1999 Wrangler, 1992-1999 Cherokee, Cluster Gear	18887.40
33 1987-1999 Wrangler, 1987-1999 Cherokee, Cluster Gear Front Bearing	18887.41
34 1987-1999 Wrangler, 1987-1999 Cherokee, Cluster Gear Front Bearing Snap Ring	18887.42
35 1987-1999 Wrangler, 1987-1999 Cherokee, Cluster Gear Rear Bearing	18887.43
36 1987-1999 Wrangler, 1987-1999 Cherokee, Cluster Gear Rear Thrust Washer	18887.44
37 1987-1999 Wrangler, 1987-1999 Cherokee, 5th Gear Needle Bearing	18887.45
2003-2006 Wrangler, Transmission Filter Kit, 42RLE NEW	19003.09
1969-1979 CJ Models, Automatic Transmission Filter, TH400 NEW	19003.10
2003-2006 Wrangler, Automatic Transmission Filter, 42RLE NEW	19003.11
1969-1979 CJ Models, Automatic Transmission Filter Kit, TH400 NEW	19003.12
1975-2002 CJ, SJ, Cherokee, Comanche & Grand Cherokee, Automatic Transmission Filter Kit NEW	19003.13

Transmission - Mounts & Filters

N. 1989-1999 Aisin AX15 5 Speed Transmissions (continued)		Part#
38	1987-1992 Wrangler, 1987-1992 Cherokee, 5th Gear [AX15 5 Speed], Cluster Gear Side	18887.48
38	1992-1999 Wrangler, 1992-1999 Cherokee, 5th Gear [AX15 5 Speed], Cluster Gear Side	18887.49
39	1987-1992 Wrangler, 1987-1992 Cherokee, 5th Gear Synchronizer Key [AX15 5 Speed], [3 Required]	18887.51
39	1992-1999 Wrangler, 1992-1999 Cherokee, 5th Gear Synchronizer Key [AX15 5 Speed], [3 Required]	18887.52
	1987-1999 Wrangler, 1987-1999 Cherokee, 5th Gear Spacer [AX15 5 Speed], Cluster Gear Side	18887.50
40	1987-1999 Wrangler, 1987-1999 Cherokee, 5th Gear Synchronizer Sleeve [AX15 5 Speed], Cluster Gear Side	18887.53
41	1987-1992 Wrangler, 1987-1992 Cherokee, 5th Gear Synchronizer Spring [AX15 5 Speed], [2 Required]	18887.27
41	1992-1999 Wrangler, 1992-1999 Cherokee, 5th Gear Synchronizer Spring [AX15 5 Speed], [2 Required]	18887.55
42	1987-1992 Wrangler, 1987-1992 Cherokee, 5th Gear Synchronizer Ring [AX15 5 Speed]	18887.11
42	1992-1999 Wrangler, 1992-1999 Cherokee, 5th Gear Synchronizer Ring [AX15 5 Speed]	18887.57
43	1987-1999 Wrangler, 1987-1999 Cherokee, Reverse Shift Fork [AX15 5 Speed]	18887.58
44	1987-1999 Wrangler, 1987-1999 Cherokee, Reverse Shift Arm [AX15 5 Speed]	18887.59
	1987-1999 Wrangler, 1987-1999 Cherokee, Reverse Gear Shift Shaft [AX15 5 Speed]	18887.60
	1987-1999 Wrangler, 1987-1999 Cherokee, 5th Gear Shift Shaft [AX15 5 Speed]	18887.61
45	1987-1999 Wrangler, 1987-1999 Cherokee, Reverse Shift Head [AX15 5 Speed]	18887.62
46	1987-1999 Wrangler, 1987-1999 Cherokee, 5th Gear Shift Fork [AX15 5 Speed]	18887.63
48	1987-1999 Wrangler, 1987-1999 Cherokee, 3rd & 4th Gear Shift Shaft [AX15 5 Speed]	18887.65
49	1987-1999 Wrangler, 1987-1999 Cherokee, 1st & 2nd Gear Shift Shaft [AX15 5 Speed]	18887.66
50	1987-1999 Wrangler, 1987-1999 Cherokee, 3rd & 4th Gear Shift Shaft [AX15 5 Speed]	18887.67
51	1987-1999 Wrangler, 1987-1999 Cherokee, Shifter Arm Shoe [AX15 5 Speed]	18887.68
52	1987-1999 Wrangler, 1987-1999 Cherokee, Shifting Bracket [AX15 5 Speed]	18887.69
53	1987-1999 Wrangler, 1987-1999 Cherokee, 1st Gear Shift Shaft Bracket [AX15 5 Speed]	18887.70
54	1987-1999 Wrangler, 1987-1999 Cherokee, Shift Lever Shaft [AX15 5 Speed]	18887.71
55	1987-1999 Wrangler, 1987-1999 Cherokee, Reverse Pin [AX15 5 Speed]	18887.72
56	1987-1999 Wrangler, 1987-1999 Cherokee, Shift Lever Snap Ring [AX15 5 Speed], 1.5mm	18887.73
57	1987-1999 Wrangler, 1987-1999 Cherokee, Drain Plug [AX15 5 Speed]	18887.74
58	1987-1999 Wrangler, 1987-1999 Cherokee, Reverse Gear Shift Shaft Roller [AX15 5 Speed]	18887.75
59	1987-1999 Wrangler, 1987-1999 Cherokee, Shift Shaft Ball [AX15 5 Speed]	18887.76
60	1987-1999 Wrangler, 1987-1999 Cherokee, 1st Gear Shift Shaft Roller [AX15 5 Speed]	18887.77
61	1987-1999 Wrangler, 1987-1999 Cherokee, Reverse Arm Ring Retainer [AX15 5 Speed]	18887.78
	1987-1999 Wrangler, 1987-1999 Cherokee, Reverse Gear Ball [AX15 5 Speed]	18887.82
62	1987-1999 Wrangler, 1987-1999 Cherokee, Shift Lever Shaft Plug [AX15 5 Speed]	18887.80
62	1987-1999 Wrangler, 1987-1999 Cherokee, Housing Plug [AX15 5 Speed]	18887.81
63	1987-1999 Wrangler, 1987-1999 Cherokee, Shifter Cover Gasket [AX15 5 Speed]	18887.87
64	1987-1999 Wrangler, 1987-1999 Cherokee, Shift Cup Bushing [AX15 5 Speed]	18887.86
	1987-2006 Wrangler, 1987-2001 Cherokee, Transmission Mount [AX15 5 Speed]	18608.09
	1987-1989 Wrangler, 1987-1989 Cherokee, Stabilizer Stud, Transmission Mount [AX15 5 Speeds]	18608.10
	1987-1989 Wrangler, 1987-1989 Cherokee, Stabilizer Bushing [AX15 5 Speeds], [2 Required]	18608.11
	1987-1989 Wrangler, 1987-1989 Cherokee, Polyurethane Stabilizer Bushing [AX15 5 Speeds], Red, Pair	18608.12



[O] 19001.01

O. Automatic Transmission Rebuild Kits	Part#
1987-2003 Wrangler [2.4L, 2.5L & 4.0L], Rebuild Kit [TF6 Transmission]	19001.04
1987-2001 Cherokee [2.5L & 4.0L], Rebuild Kit [AW4 Transmission]	19001.03
1993-2004 Grand Cherokee [4.0L], Rebuild Kit [A500 Transmission]	19001.01
1993-1998 Grand Cherokee [5.2L & 5.9L], Rebuild Kit [A518 Transmission]	19001.02
1999-2004 Grand Cherokee [4.7L], 2002-2004 [2.4L & 3.7L] Rebuild Kit [45RFE Transmission]	19001.05
2002-2004 Liberty, Automatic 4WD 3.7L, Replacement Transmission Mount NEW	19005.15
2002-2004 Liberty, Manual 4WD 3.7L, Replacement Transmission Mount NEW	19005.16
2002-2004 Liberty, Manual 4WD 3.7L, Replacement Transmission Mount NEW	19005.17

P. Automatic Transmission Filters	Part#
1984-2000 Cherokee [A904, A999 & 30RH], 1990-2003 Wrangler [A999, 30RH & 32RH], 1993-1998 Grand Cherokee [42RE, 46RH, & 44RE], 1990-2001 Grand Wagoneer [SJ] [A727], Automatic Transmission Filter	19003.05
1987-2001 Cherokee [AW4], 1993 Grand Cherokee [AW4], Automatic Transmission Filter	19003.07
1998-2004 Grand Cherokee [42RE, 44RE & 46RE], Automatic Transmission Filter	19003.01
1999-2010 Grand Cherokee [45RF w/ 4WD, 45RF, 2DGQ], 2002-2007 Liberty [45RF & 45RFE w/ 4WD], Commander [45RF, 2DGQ], 2007-2010 Wrangler [2DGQ], Automatic Transmission Filter	19003.02

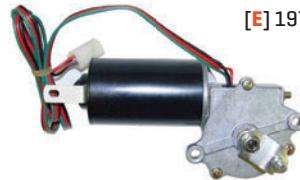
Q. Transmission Mounts	Part#
1984-1999 Cherokee [2.5L 2.8L & 4.0L], Transmission Mount [Automatic]	19005.01
1985-1986 Cherokee [2.1L Diesel], Transmission Mount [Manual]	19005.03
1985-1986 Cherokee [2.1L Diesel], Transmission Mount [Manual]	19005.03
1994-1995 Grand Cherokee [4.0L], Transmission Mount [Automatic]	19005.05
1999-2004 Grand Cherokee [4.7L, 4WD], Transmission Mount [Automatic]	19005.14



[A] 19105.06



[D] 19101.02



[E] 19715.01



[E] 19717.03

A. Wiper Linkage		Part#
1	1968-1983 CJ5, 1968-1975 CJ6, 1976-1986 CJ7, 1981-1986 CJ8, Wiper Pivot Nut	19105.01
2	1968-1983 CJ5, 1968-1975 CJ6, 1976-1986 CJ7, 1981-1986 CJ8, Wiper Pivot Spacer	19105.02
3	1968-1983 CJ5, 1968-1975 CJ6, 1976-1986 CJ7, 1981-1986 CJ8, Wiper Pivot Gasket	19105.03
4	1968-1983 CJ5, 1968-1975 CJ6, 1976-1986 CJ7, 1981-1986 CJ8, Wiper Pivot, Right [25"]	19105.04
5	1968-1983 CJ5, 1968-1975 CJ6, 1976-1986 CJ7, 1981-1986 CJ8, Wiper Pivot, Left [25"]	19105.06
6	1968-1983 CJ5, 1968-1975 CJ6, 1976-1986 CJ7, 1981-1986 CJ8, Wiper Motor Link [10.125"]	19105.07
7	1968-1983 CJ5, 1968-1975 CJ6, 1976-1986 CJ7, 1981-1986 CJ8, Wiper Rod Clip	19105.08

B. Wiper Linkage Kit		Part#
	1968-1983 CJ5, 1968-1975 CJ6, 1976-1986 CJ7, 1981-1986 CJ8, Wiper Linkage Kit (Includes: Both LH and RH Wiper Linkage, Pivot Spacers, Pivots Nuts, Pivot Gaskets, Pivot Clips, [2] Wiper Arms, and [2] Wiper Blades)	19105.05

C. Washer Fluid Level Sensors		Part#
	1991-2001 Grand Cherokee, 2002-2003 Liberty, Washer Fluid Level Sensor	17237.12

D. Universal Wiper Motor Kits		Part#
	1941-1945 MB, 1941-1945 Ford GPW, 1945-1949 CJ2A, 1948-1953 CJ3A, 1953-1958 CJ3B, 1955-1958 CJ5, 1955-1958 CJ6, 1946-1958 Truck, 1946-1958 Station Wagon, 1948-1951 Jeepster, Universal Wiper Motor Kit (6 Volt)	19101.01
	1945-1949 CJ2A, Wiper Motor Vacuum Tube	12025.33
	1950-1952 M38, 1952-1971 M38A1, Universal Wiper Motor Kit (24 Volt)	19101.04
	1959-1967 CJ3B, 1959-1971 CJ5, 1959-1971 CJ6, 1959-1964 Truck, 1959-1964 Station Wagon, Universal Wiper Motor Kit (12 Volt) , Black	19101.02
	1959-1967 CJ3B, 1959-1971 CJ5, 1959-1971 CJ6, 1959-1964 Truck, 1959-1964 Station Wagon, Universal Wiper Motor Kit (12 Volt) , Stainless Steel	19101.03
	1946-1964 Willys Models, 2-Speed Windshield Wiper Motor Conversion Kit NEW	19107.13

E. Wiper Motor		Part#
	1946-1964 Willys Pickup Truck, Wiper Motor, 12V NEW	19715.07
	1968-1983 CJ5, 1968-1975 CJ6, 1976-1986 CJ7, 1981-1986 CJ8, Windshield Wiper Motor	19715.01
	1976-1982 CJ5, 1976-1982 CJ7, 1981-1982 CJ8, Windshield Wiper Motor [3 Wire Plug]	19715.02
	1983 CJ5, 1983-1986 CJ7, 1983-1986 CJ8, Windshield Wiper Motor [4 Wire Plug]	19715.03
	1987-1995 Wrangler, Windshield Wiper Motor	19715.04
	1987-1995 Wrangler, Windshield Wiper Motor Gasket	19716.01
	1993-1996 Grand Cherokee, Windshield Wiper Motor	19715.06

F. Wiper Motor Cover		Part#
	1976-1983 CJ5, 1976-1986 CJ7, 1981-1986 CJ8, Windshield Wiper Motor Cover, Black	19135.01
	1976-1983 CJ5, 1976-1986 CJ7, 1981-1986 CJ8, Windshield Wiper Motor Cover, Stainless Steel	11122.02

G. Windshield Wipers & Components		Part#
	1968-1983 CJ5, 1968-1975 CJ6, 1976-1986 CJ7, 1981-1986 CJ8, Wiper Pivot Cover [2 Required]	13318.02

H. Wiper Switches		Part#
1	1968-1982 CJ5, 1968-1975 CJ6, 1976-1982 CJ7, 1981-1982 CJ8, Wiper Switch [3 Wire Plug]	19106.01
1	1983 CJ5, 1983-1986 CJ7, 1983-1986 CJ8, Wiper Switch [Non-Intermittent]	19106.02
2	1968-1983 CJ5, 1968-1975 CJ6, 1976-1986 CJ7, 1981-1986 CJ8, Wiper Switch Bezel	17234.12
3	1968-1983 CJ5, 1968-1975 CJ6, 1976-1986 CJ7, 1981-1986 CJ8, Wiper Switch Nut	17234.11
4	1968-1983 CJ5, 1968-1975 CJ6, 1976-1986 CJ7, 1981-1986 CJ8, Wiper Switch Knob	13318.05
	1987-1995 Wrangler, 1984-1994 Cherokee, Wiper Switch [Without Intermittent, Without Tilt]	17236.01
	1987-1995 Wrangler, 1984-1994 Cherokee, 1986-1991 Cherokee / Grand Wagoneer [SJ], Wiper Switch [Without Tilt]	17236.04
	1997-1999 Wrangler, Wiper Switch [Without Intermittent]	17236.07
	1997-1999 Wrangler, Wiper Switch [With Intermittent]	17236.06
	1997-1999 Wrangler, Wiper Switch, Rear [With Hardtop]	17236.05
	1984-1994 Cherokee, Wiper Switch [Without Intermittent, With Tilt]	17236.03

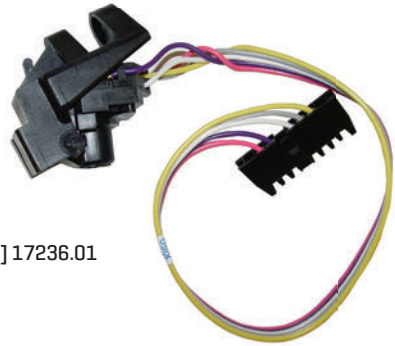


[J] 19107.03



[K] 19710.10

[K] 19710.11



[H] 17236.01



[J] 19108.06



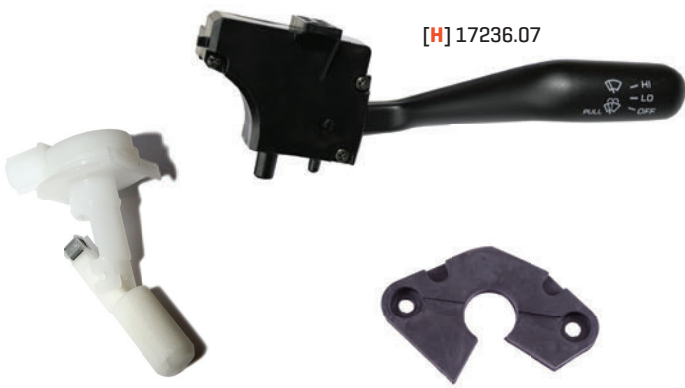
[A] 19105.07



[L] 19712.01



[L] 19712.02



[H] 17236.07

[C] 17237.12

[E] 19716.01

K. Wiper Arms		Part#
1	1968-1983 CJ5, 1968-1975 CJ6, 1976-1986 CJ7, 1981-1986 CJ8, Wiper Arm, Black	19710.02
1	1968-1983 CJ5, 1968-1975 CJ6, 1976-1986 CJ7, 1981-1986 CJ8, Wiper Arm, Stainless Steel	19710.01
	1987-1995 Wrangler, Windshield Wiper Arm [LH or RH]	19710.03
	1987-1995 Wrangler, Windshield Wiper Arm, Rear	19710.03
	1997-2006 Wrangler, Windshield Wiper Arm [LH or RH]	19710.05
	1997-2002 Wrangler, Windshield Wiper Arm, Rear	19710.06
	1984-1996 Cherokee, Windshield Wiper Arm [LH or RH]	19710.07
	1984-1996 Cherokee, Windshield Wiper Arm, Rear	19710.08
	1997-2001 Cherokee, Windshield Wiper Arm [LH or RH]	19710.13
	1997-2001 Cherokee, Windshield Wiper Arm, Rear	19710.14
	1993-1998 Grand Cherokee, Windshield Wiper Arm [LH or RH]	19710.09
	1993 Grand Cherokee, Windshield Wiper Arm, Rear	19710.10
	1994-1995 Grand Cherokee [Without Flip Window], Windshield Wiper Arm, Rear	19710.11
	1995-1996 Grand Cherokee [With Flip Window], 1997-1998 Grand Cherokee [All], Windshield Wiper Arm, Rear	19710.12

I. Windshield Washer Kit		Part#
1	1972-1983 CJ5, 1968-1975 CJ6, 1976-1986 CJ7, 1981-1986 CJ8, Windshield Washer Kit [Includes Bottle, Cap, Pump & Filter]	19107.03

J. Washer Pump & Bottles		Part#
1	1972-1983 CJ5, 1968-1975 CJ6, 1976-1986 CJ7, 1981-1986 CJ8, Windshield Washer Bottle	19107.01
2	1972-1983 CJ5, 1968-1975 CJ6, 1976-1986 CJ7, 1981-1986 CJ8, 1987-1990 Cherokee [Front], 1987-1996 Cherokee [Rear], 1972-1986 Cherokee / Grand Wagoneer [SJ], Windshield Washer Pump	19108.01
3	1972-1983 CJ5, 1968-1975 CJ6, 1976-1986 CJ7, 1981-1986 CJ8, Windshield Washer Bottle Cap	19107.02
4	1972-1983 CJ5, 1968-1975 CJ6, 1976-1986 CJ7, 1981-1986 CJ8, 1972-1986 Cherokee / Grand Wagoneer [SJ], Windshield Washer Pump Filter	19108.02
5	1972-1983 CJ5, 1968-1975 CJ6, 1976-1986 CJ7, 1981-1986 CJ8, 1972-1986 Cherokee / Grand Wagoneer [SJ], Windshield Washer Pump Kit [Includes Pump & Filter]	19108.03
2	1997-2002 Wrangler [Front or Rear], 1997-2001 Cherokee [Front], Windshield Washer Pump	19108.08
2	1991-1996 Cherokee [Front], Windshield Washer Pump	19108.06
2	1997-2001 Cherokee [Rear], Windshield Washer Pump	19108.08

L. Wiper Blades		Part#
	1941-1945 MB, 1941-1945 Ford GPW, 1945-1949 CJ2A, 1948-1953 CJ3A, 1953-1958 CJ3B, 1955-1958 CJ5, 1955-1958 CJ6, Windshield Wiper Arm & Blade Kit, Stainless Steel	19102.01
	1968-1983 CJ5, 1968-1975 CJ6, 1976-1986 CJ7, 1981-1986 CJ8, Wiper Blade [11"]	19712.07
	1987-2006 Wrangler [Front], Wiper Blade [13"]	19712.01
	1987-1995 Wrangler [Rear], Wiper Blade [16"]	19712.04
	1997-2006 Wrangler [Rear], 1984-2001 Cherokee [Front], Wiper Blade [18"]	19712.02
	2007-2014 Wrangler [Front], Wiper Blade [15"]	19712.08
	1984-2001 Cherokee [Rear], 1993-2004 Grand Cherokee [Rear], Wiper Blade [13"]	19712.05
	1993-1998 Grand Cherokee [Front], 2002-2007 Liberty [Front], Wiper Blade [19"]	19712.03
	1999-2011 Grand Cherokee [Front], Wiper Blade [21"]	19712.09
	1984-1996 Cherokee, 1993 Grand Cherokee, Rear Wiper Blade, 12-inch NEW	19712.05
	2011-2013 Grand Cherokee, Front Wiper Blade, 21-inch, Left NEW	19712.11
	2011-2013 Grand Cherokee, Front Wiper Blade, 21-inch, Right NEW	19712.12

Description	Part#
Hood 01-07 Town & Country, Caravan, Voyager	12049.01
Fender Rh 01-07 Town & Country, Caravan, Voyager	12049.10
Fender Lh 01-07 Town & Country, Caravan, Voyager	12049.11
Fender Rh 96-00 Town & Country, Caravan, Voyager	12049.12
Fender Lh 96-00 Town & Country, Caravan, Voyager	12049.13
Water Pump 82-88 Town & Country, Caravan, Lebaron, Laser	17104.70
Water Pump 2.6L 81-87 Town & Country, Caravan	17104.71
Belt 3.0L With Ac 91-92 Chrysler As Body	17110.85
Serpentine Belt 2.5L With Power Steering 93-95 Chrysler As Body	17111.80
Serpentine Belt 2.4L Ps Chrysler Ns 2.4L	17111.81
Serpentine Belt 2.4L With Ac Chrysler Ns 2.4L	17111.82
Serpentine Belt 2.4L Without Ac Chrysler Ns 2.4L	17111.83
Serpentine Cooling Belt 3.0L W/Ac 93-95 Chrysler As Body	17111.84
Serpentine Belt 3.3L, 3.8L 1991Chrysler As Body	17111.85
Serpentine Belt 3.0L Chrysler Ns	17111.86
Serpentine Belt 3.3L, 3.8L Chrysler Ns	17111.87
Serpentine Belt 3.3L 3.8L With Ac 91-97 S Body	17111.88
Idler Pulley Chrysler Ls 2.7L, Lhs; Rs/Rg 3.3L & 3.8L; Viper 03-04 8.3L	17112.08
Tensioner Assembly 91-97 Chrysler As/Ns Body	17112.53
Tensioner Chrysler Ns 3.3L, 3.8L	17112.54
Radiator Hose Upper Chrysler S-Body 2.2L, 2.5L	17113.80
Radiator Hose Upper 2.5L 90-92 Chrysler S/As Body	17113.81
Radiator Hose Upper 2.5L 93-95 Chrysler As Body	17113.82
Radiator Hose Upper 3.3L 90-92 Chrysler S/As Body	17113.83
Radiator Hose Upper 3.0L 93-95 Chrysler As Body	17113.84
Radiator Hose Upper 3.3L, 3.8L With Hd Cooling 93-95 As Body	17113.85
Radiator Hose Upper 3.0L Chrysler S-Body	17113.86
Radiator Hose Lower 3.0 With A670 93-95 Chrysler As Body	17114.80
Radiator Hose Upper 3.3L, 3.8L 93-95 Chrysler As Body	17114.81
Radiator Hose Lower 3.0L Chrysler Ns	17114.82
Radiator Hose Lower 2.5L 91-92 Chrysler As Body	17114.83
Radiator Hose Lower 2.5L 93-95 Chrysler As Body	17114.84
Radiator Hose Lower 3.0 89 S-Body	17114.85
Radiator Hose Lower 3.0L With A604 93-95 Chrysler As Body	17114.86
Radiator Hose Lower 3.0L With A670 90-91 Chrysler S/As Body	17114.87
Radiator Hose Lower 3.0L With Hd Cooling 93-95 Chrysler As Body	17114.88
Radiator Hose Lower 3.3L 91-92 Chrysler As Body	17114.89

Description	Part#
Radiator Hose Lower 3.3L, 3.8L 93-95 Chrysler As Body	17114.90
Radiator Hose Lower 2.5L Chrysler S-Body	17114.91
Inlet Hose Chrysler Ns 2.4L	17115.50
Inlet Hose Chrysler Ns 3.0L	17115.51
Inlet Hose Chrysler Ns 3.3L & 3.8L	17115.52
Outlet Hose Chrysler Ns 2.4L	17115.60
Outlet Hose Chrysler Ns 3.3L & 3.8L	17115.61
Timing Belt 2.4L 97-07 Chrysler Gs, Ns, Rs Body	17453.18
Timing Belt 2.5L Chrysler S/As-Body	17453.80
Timing Belt 2.5L Chrysler S-Body	17453.81
Alternator 120 Amp 91-95 S Body	17225.80
Starter 3.0L 91-95 Chrysler As Body	17227.80
Ignition Wire Set As Body 3.3L	17245.80
Ignition Wire Set 2.5L As Body	17245.81
Ignition Wire Set As, Ns Body 3.3L & 3.8L	17245.82
Ignition Wire Set 84-91 S Body 2.2L & 2.5L	17245.83
Ignition Wire Set 84-87 2.6L S-Body	17245.84
Ignition Wire Set 96-00 2.4L Ns Body	17245.85
Ignition Wire Set 3.0L S & As Body	17245.86
Ignition Wire Set Rs 3.3L, 3.8L	17245.87
Ignition Wire Set 3.0 Ns	17245.88
Ignition Wire Set 2.4L Rs Body	17245.89
Front Hub, 1995 Chrysler Lebaron Conv.	16705.50
Rear Hub, 2000-02 Plymouth Prowler	16705.51
Front Hub, 2000-04 Concorde, Intrepid, Lhs, 300M	16705.51
Front Hub, 1995-97 Stratus, Cirrus, Plymouth Breeze	16705.52
Front Hub, 1996-99 Sterling Convertible	16705.52
Front Hub, 1992-95 All Mini-Van W/ 15" Wheel	16705.53
Front Hub, 1996-00 All Mini-Van W/ 14" Wheel	16705.54
Front Hub, 1997-04 All Mini Van W/ 15" Or 16" Wheel	16705.53

- AS 1991-1995 Town & Country, Caravan, Voyager
- LH 1993-2004 New Yorker, Concorde, LHS, 300M, Intrepid, Vision
- NS 1996-2000 Town & Country, Caravan, Voyager
- RG 2001-2006 Town & Country, Caravan, Voyager (Export)
- RS 2001-2007 Town & Country, Caravan, Voyager
- S 1984-1990 Town & Country, Caravan, Voyager

SURPLUS

CHEROKEE - CJ - WRANGLER

The legend of the "Jeep" in a crate has been around for years. Nobody has been able to prove this legend until now. Hundreds of surplus crates containing CJ - Cherokee - and even Wrangler parts from all over the globe, have been sourced and brought to our warehouse. Each crate contains just one piece to a puzzle of a thousand parts that make up any number of Jeep® systems or even complete vehicles.

JEEP CHEROKEE (RHD)

We have thousands of OE high quality factory fresh replacement parts for your 1984-96 Jeep® Cherokee. These crates were packed at the Toledo factory in 1996 for the export of 288 Cherokees to be assembled in an overseas market. All items were packed in bulk and have been sealed in their crates for the past ten years. All parts look like the day they came off the assembly line here in the U.S. and Canada. All of the surplus parts were either manufactured here in the States or in Canada and are of true OE quality. Looking for that replacement axle assembly? We have it. Looking for that small bolt or fastener that's just not stocked anymore? We have it. If it was made for the first generation Cherokees, then odds are we have what you are looking for.

CJ & WRANGLER SURPLUS

As with the Cherokee stock we have acquired a large number of crates containing many CJ and Wrangler components. The crates are being opened and new stock is being readied for sale daily. Items range from transmissions to mirrors and many more items you will find listed in the following pages of this catalog. For complete listing, please visit our website.



Please keep in mind that even though there is a large supply of these surplus parts, quantities are limited. When the part you need sells out, it's gone for good. For this reason, we are selling on a first come, first serve basis.



CHRYSLER-JEEP® TRANSMISSIONS

The following transmissions were originally supplied for 1996 export Cherokee vehicles, but can be used for any Jeep® application where they were installed by the factory.

CHRYSLER-JEEP® TRANSFER CASES

The following transfer cases were originally supplied for 1996 export Cherokee vehicles, but can be used for any Jeep® application where they were installed by the factory.

18803.05

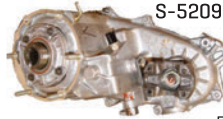


AX5 MANUAL TRANSMISSION

Used with Cherokee 2.5L 4 cylinder engine.

- Jeep® models that used the AX5 manual transmission
- 1994-96 Cherokee with 2.5L 4 cylinder engine
- 1984-93 Cherokee with 2.5L 4 cylinder engine [may require modifications]
- 1987-98 Wrangler with 2.5L 4 cylinder engine [may require modifications]

S-52099310



NP231 (S-52099310) CHAIN DRIVE TRANSFER CASE

For 2.5L 4 cylinder with manual transmissions. Has a 21-spline input, and a 1.2" short shaft.

- Jeep® models that used the NP231 21-spline transfer case.
- Any 4 cylinder Jeep with an AX4, or AX5 manual transmission
- Any 4 cylinder Jeep with an AW4 up to 1990 with 21-spline output.



NP231 (S-52098360) CHAIN DRIVE TRANSFER CASE

For 4.0L 6 cylinder with automatic transmissions, 23-spline input, [2.1" long shaft].

- Jeep® models that used the NP231 23-spline transfer case with automatic transmission and some manual transmission
- Any 6 cylinder Jeep® equipped with a 1996-01 AX15
- Any 6 cylinder Jeep® equipped with a 31RH or 32RH automatic



NP231 (S-52098358) CHAIN DRIVE TRANSFER CASE

For 4.0L 6 cylinder with manual transmissions, 23-spline input, [1.2" short shaft].

- Jeep® models that used the NP231 23-spline transfer case with manual transmission and some automatics
- Any 6 cylinder Jeep® equipped with a 1989-94 AX15
- Any 6 cylinder Jeep® equipped with an AW4 after 1990, 23-spline output

S-52119156



32RH AUTOMATIC TRANSMISSION

with 23-spline output used with 4.0L 6 cylinder engines.

This automatic transmission was originally supplied for 1994-96 export Wrangler with 4.0L 6 cylinder engines, but can be used for any Jeep® application where part number 52118024 was installed by the factory.

- Jeep® models that used the 32RH automatic transmission
- Jeep® part number S-52118024
- 1992-95 Wranglers with 4.0L 6 cylinder engine
- 1996 Export Wrangler with 4.0L 6 cylinder engine

RELATED SURPLUS TRANSMISSION & TRANSFER CASE PARTS

Description	Part#
Bell Housing 1997-00 Cherokee 2.5L Manual	S-52104000
Bell Housing 1987-93 4.0L Manual	S-53007105

Description	Part#
1997-98 Cherokee 2.5L 231 Transfer Case Lever Assembly	S-52104101AB
1997-98 Cherokee 4.0L 242 Transfer Case Lever Assembly	S-52104103
Cherokee 4.0L Automatic Shift Lever 1996 Aw4	S-52104107

The following axle assemblies were originally supplied for 1996 export right hand drive Cherokee vehicles, but can be used for any Jeep® application where they were installed by the factory.



S-52069795



S-52069381



S-52069201



S-52069200



S-52098731



S-52098744



S-52087831

S-52069795 DANA 35 REAR AXLE ASSEMBLY

with 3.54 gears

Jeep® models that can use the Dana 35 axle.

- 1984-01 Jeep Cherokee
- Comanche pick-up
- Any Wrangler or Grand Cherokee with rear leaf spring design (some modifications required).

Axles come with leaf spring mounting perches

S-52069381 DANA 35 REAR AXLE ASSEMBLY

with 4.10 gears with Track-Lok

Jeep® models that can use the 8.25 rear axle.

- 1984-01 Jeep Cherokee
- Comanche pick-up
- Any Wrangler or Grand Cherokee with rear leaf spring design.

Axles come with leaf spring mounting perches

The front axle assembly was exported as a RHD unit but can be used domestically w/ modifications.

RHD = right hand drive vehicle.

S-52069201 HIGH PINION DANA 30 FRONT AXLE ASSEMBLY

with 4.10 gears [RHD]

S-52069200 HIGH PINION DANA 30 FRONT AXLE ASSEMBLY

with 3.54 gears [RHD]

Jeep® models that had a coil spring Dana 30 front axle.

1994-01 [RHD] Jeep Cherokee [XJ]

RELATED SURPLUS AXLE & DRIVELINE PARTS CHEROKEE

Description	Part#
1994-99 Driveshaft Rear 4.0L Auto	S-52098731
1996-99 Driveshaft Rear 2.5L Man	S-52098744
1987-00 Driveshaft Front 2.5L Man	S-53005541
1996 Front Shock	S-52087831
1994-01 Front Sway Bar	S-52087859
1992-01 Rear Sway Bar	S-52001135
1984-01 Front Coil Spring Insulator	S-52000229



BUY WITH CONFIDENCE
MINIMUM 5 YEAR WARRANTY



S-52000229

Note: these front axle assemblies can be modified to work w/ other front applications [LHD] but will require some cutting and rewelding.

JEEP® CHEROKEE BODY PARTS (SURPLUS LIMITED SUPPLY)



[H] S-55235531



[I] S-55054829



[K] S-5ED63PS1



[B] S-55027696

[K] S-55155464



[F] S-55254639

[K] S-55055014



[E] S-55176002



[G] S-52002328



[A] S-55234549

[F] S-55174807



[H] S-55075295



[M] S-55235216



[C] S-55075180



[L] S-55235277

A. Bumper	Part#
1984-96 Front Bumper (No Paint) 2 Door & 4 Door	S-55234549
1984-96 Rear Bumper (No Paint) 2 Door & 4 Door	S-55234617

B. Cowl	Part#
1984-96 Cowl Filter Screen (Rhd Only)	S-55027697
1984-96 Cowl Grille (Rhd Only)	S-55027696

C. Hood	Part#
1984-01 Hood Hinge, Right Side	S-55075180
1984-01 Hood Hinge, Left Side	S-55075181
1984-96 Hood (Bonnett) Release Cable Assembly	S-55075570

D. Body Side Panels	Part#
1984-96 Left Side Body Panel (4 Door Models)	S-55235539
1984-96 Right Side Body Panel (4 Door Models)	S-55235538

E. Doors	Part#
1984-96 Rear Left (Driver's) Door (4 Drs Models)	S-55176003
1984-96 Rear Right (Passenger's) Door (4 Dr Models)	S-55176002

F. Roof & Floors	Part#
1984-96 Roof Panel W/Roof Rack Mounting Holes 2&4Dr	S-55254639
1995-96 Front Floor Pan 2 Door & 4 Door Cherokee	S-55174807

G. Frame	Part#
1984-96 Crossmember assembly 2 door & 4 door	S-52002328
1984-96 Front skid plate	S-52018009

H. Rear Liftgate	Part#
1984-96 Rear liftgate (composite) 2 door & 4 door	S-55235531
1984-96 Rear liftgate hinge left side	S-55075295
1984-96 Rear liftgate hinge right side	S-55075294

I. Head Lamp	Part#
1984-96 RH head lamp (Hella H4 55W-60W) w/o level device	S-55054828
1984-96 LH head lamp (Hella H4 55W-60W) w/o level device	S-55054829

J. Front Signal Lamp	Part#
1984-96 Front signal lamp, RH (amber, export only)	S-55155072
1984-96 Front signal lamp, LH (amber, export only)	S-55155073
1984-96 Front fender turn signal (export only)	S-55055014
1984-96 Front parking lamp, LH (amber, export only)	S-56000853
1984-96 Front parking lamp, RH (amber, export only)	S-56000852

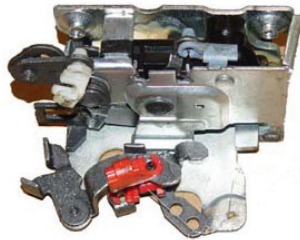
K. Rear Signal Lamp	Part#
1984-96 Rear lamp assy, right side (export)	S-55155464
1996 Rear stop light, center mount	S-5ED63PS1

L. Exterior Trim	Part#
1984-96 Window seal, rear quarter (4 door)	S-55007129
1994-01 Front windshield molding	S-55235391
1984-96 Roof rack assembly 2 door and 4 door	S-55235277

M. Fenders	Part#
1984-01 RH	S-55235216
1984-01 LH	S-55235217



[A] S-55029245



[B] S-55000766



[I] S-5FM76SA8



[G] S-5FG76SS1



[D]



[H] S-5B607KS1



[C] S-5AB98JS1



[F] S-55154734



[E] S-5EY13SA8

A. Bumper End Caps	Part#
1984-96 Front left bumper end cap [black grain texture]	S-55234545
1984-96 Front right bumper end cap [black grain texture]	S-55234544
1984-96 Rear left bumper end cap [black grain texture]	S-55029245
1984-96 Rear right bumper end cap [black grain texture]	S-55029244
1984-96 Rear left bumper end cap [gray, smooth]	S-55234691
1984-96 Rear right bumper end cap [gray smooth]	S-55234690

B. Door Latch	Part#
1984-96 Door latch assembly, right side [front]	S-55000766
1984-96 Door latch assembly, right side [rear]	S-55075878
1984-96 Door latch assembly, left side [rear]	S-55075879

C. Arm Rests	Part#
1984-96 Front right arm rest w/ pull handle [light gray]	S-5AB98JS1
1984-96 Front left arm rest w/ pull handle [light gray]	S-5AB99JS1
1984-96 Rear arm rest for left & right 4dr [light gray]	S-5AC34JS1
1984-96 Front right arm rest w/ pull handle [dark gray]	S-5AB98JAB
1984-96 Rear arm rest for left & right 4dr [dark gray]	S-5AC34JAB

D. Door Trim	Part#
1984-96 Front door panel right side [gray]	S-5FN38SSA
1984-96 Front door panel left side [gray]	S-5FN39SSA
1984-96 Wood grain door trim, right rear [gray]	S-5DD70MS1
1984-96 Wood grain door trim, left rear [gray]	S-5DD71MS1
1984-96 Wood grain door trim, right front [gray]	S-5DD66MS1
1984-96 Wood grain door trim, left front [gray]	S-5DD67MS1

E. Dash	Part#
1984-96 Dash pad assembly [RHD only]	S-5EY13SA8
1984-96 Wood grain instrument bezel [RHD]	S-55115072
1984-96 Black instrument bezel [RHD]	S-55115070
1995-96 Leather wrapped steering wheel w/o air bag	S-5FJ14XS9

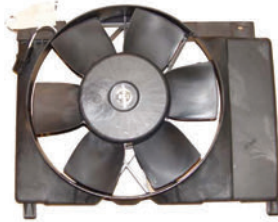
F. Mirrors	Part#
1984-96 Right side mirror [RHD only]	S-55154683
1984-96 Left side mirror [RHD only]	S-55154734

G. Visor	Part#
1984-96 RHD Front visor w/ Light [left side]	S-5FG76SS1
1984-96 RHD Front visor w/ Light [right side]	S-5FK76SS1

H. B-Pillar Trim	Part#
1984-96 B-pillar upper cover, driver side [gray]	S-5B607KS1
1984-96 B-pillar upper cover, passenger side [gray]	S-5B606KS1
1984-96 B-pillar lower cover, driver side [gray]	S-5EU70RS1
1984-96 B-pillar lower cover, passenger side [gray]	S-5EU71RS1

I. Cargo Area	Part#
1984-96 Rear cargo cover assemble [gray]	S-5FC34RS1
1984-96 Spare tire cover [gray]	S-5FM76SA8
1984-96 Rear scuff cover [gray]	S-5AC55JS1

JEEP® CHEROKEE HARD PARTS (SURPLUS LIMITED SUPPLY)



[A] S-52030035AB



[D] S-52008647



[F] S-55037359



[G] S-56022095



[B] S-52079347



[F] S-55036779



[H] S-52078556



[H] S-52006505



[G] S-4798941



[H] S-52037506



[H] S-52080229



[E] S-52022039

A. Cooling System	Part#
1996 Fan Shroud 4.0L 6 cyl (RHD)	S-52028324
1996 Fan (7 blades)	S-52028603
1996 Fan (7 blades)	S-52030035AB
1996 Coolant bottle assembly RHD (export)	S-52079340

E. Exhaust Parts	Part#
1996 Muffler assembly with tail pipe, 4.0L 6 cyl	S-52022039
1984-96 OE exhaust insulator	S-52001759

B. Electrical Parts- Drive Train	Part#
1996 ignition wires 2.5L 4 cyl (4pcs)	S-56027219
1996 Speed control assembly	S-52079347
1996-97 Speed control switch assembly	S-56007712

F. Heating & A/C Parts	Part#
1996 A/C Condensor	S-55036779
1984-96 Dash mount A/C vent control assembly (RHD)	S-56022016
1994-96 A/C receiver - drier	S-55036112
1994-96 2.5L & 4.0L A/C compressor R-134	S-55037359
1994-01 Cherokee 2.5L RHD A/C compressor R-134	S-55037360

C. Electrical Parts- General	Part#
1993-00 Switch & bezel (window) right rear	S-56007218
1993-00 Switch & bezel (window) left rear	S-56007221
1984-96 Switch assy (window, door) left front (RHD)	S-56007223
1984-96 Switch assy (window, door) right front (RHD)	S-56010051
1984-96 Instrument cluster (RHD, Kilometers)	S-56009018
1992-96 Power window regulator, front left side	S-55235647
1992-96 Power window regulator, front right side	S-55235646
1994-96 Power window regulator, rear left side	S-55154899
1994-96 Power window regulator, rear right side	S-55154898
1984-96 Washer reservoir with two pumps	S-55155318
1984-96 Wiper motor assembly RHD with linkage	S-55155300
1984-00 Power door solenoid left side	S-J3721501

G. Fuel & Intake System Parts	Part#
1996 Fuel tank without sending unit	S-56022095
1984-96 Fuel tank skid plate	S-52001512
1996 Filter box air hose assembly	S-53006274
1997-00 Vapor return canister	S-53031904

D. Brake Parts	Part#
1996 Power brake booster with master cylinder	S-52008647
1996 Hydraulic ABS control unit	S-52008727
1996-99 Proportioning valve assembly	S-52129025
1996 E-brake lever assembly (2.5L - manual)	S-52127958

H. Steering Parts	Part#
1995-96 Steering assembly (intermediate)	S-52078556
1991-01 CHEROKEE RHD Pitman arm (power steering)	S-52006505
1991-01 CHEROKEE RHD Steering stabilizer shock	S-52037506
1996 Steering column assembly - tilt	S-52080229
1995-96 AirBag (steering wheel, black)	S-5FL22SX8
1996 Steering wheel without air bag	S-5FJ14SX9

JEEP® CJ & WRANGLER SURPLUS STOCK (LIMITED SUPPLY)

Is the front of your CJ sagging with all you extra gear, or just slumping due to age. Try replacing them with these heavy duty 7 layer military wrapped front springs for 1976-86 CJ's.

P/N : **S-J5364230**



Time, heat, cold, and water can damage your hard top side vent windows. We have both left and right side vent windows in stock. Hurry because these will not last long.

S-55176281 (LH)

S-55176280 (RH)



S-55176281

S-55176280

Misc. Parts	Part#
Lug Wrench Wrangler, 3/4"	S-52003583
1987-95 Front Prop Strap [6 CYL] w/ Automatic	S-52088028
1987-06 Hub Caps w/Jeep Logo for Steel Wheel	S-52089008
1994-96 NP231 Transfer Case 23 Spline Input [4.0L] Manual	S-52098358
1994-96 NP231 Transfer Case 23 Spline Input [4.0L] Automatic	S-52098360
1994-96 Automatic Transmission Assembly [4.0L]	S-52119156
Idler Pulley [fits many applications]	S-53002903
1991-96 4.0L Wrangler, Oxygen Sensor	S-56028301
1991-99 4.0L Wrangler, Fan Clutch	S-52027626
1991-95 2.5L Wrangler, Fan Clutch	S-52027626
Heater Assembly with Blower Motor, Wrangler	S-55036899
1987-95 Wrangler Floor Pan Transmission Tunnel Cover [automatic]	S-53004650
HD Front Leaf Spring w/ Military Wrap 7 Layer for CJ	S-J5364230
1972-05 Detroit TruTrac Limited Slip for Dana 30 [2.73-3.54 ratios]	S-TT-912374
1991-95 Wrangler Full Door Inner Panel [Gray] Left Side	S-5AE13KXA
1987-95 Wrangler without A/C, vent control assembly	S-55036371
1987-95 Wrangler KDX frame cross member	S-52002727
1987-95 Wrangler transfer case shifter lever	S-53003044
1987-95 Wrangler Heavy duty rear shock	S-83502837
1987-95 Wrangler Heavy duty front shock	S-83502836



S-55036899



S-55036371

Is your front drive shaft worn out? Do you have a bad vibration any time you shift into 4WD? Then your drive shaft could be the problem. We have a large supply of front and rear surplus drive shafts for many applications.



S-52088028 Wrangler front drive shaft with automatic transmission



S-52098221 rear drive shaft for 4.0L manual transmission



S-52089008



S-5EY13SA8

Jeep® RHD & Export Surplus Stock	Part#
1984-96 Front Track Bar Bracket [RHD] Cherokee	S-52006508
1984-96 Cowl Filter Screen [RHD Only]	S-55027697
1984-96 Cowl Grill [RHD Only]	S-55027696
1984-96 Right Side Mirror [RHD Only]	S-55154683
1984-96 Left Side Mirror [RHD Only]	S-55154734
1984-96 Rear Lamp Assembly, Right Side [Export Only]	S-55155464
1984-96 Front Fender Turn Signal [Export Only]	S-55055014
1984-96 RH Head Lamp [HELLA H4 55W-60W] w/o level device	S-55054828
1984-96 LH Head Lamp [HELLA H4 55W-60W] w/o level device	S-55054829
1984-96 Dash Pad Assembly [RHD Only]	S-5EY13SA8
1984-96 Wood Grain Instrument Bezel [RHD]	S-55115072
1984-96 Black Instrument Bezel [RHD]	S-55115070
1996 Fan Shroud 4.0L 6 CYL [RHD]	S-52028324
1996 Electric Fan Assembly [RHD]	S-52030035AB
1996 Coolant Bottle Assembly RHD, [Export Only]	S-52079340
1984-96 Switch Assembly [Window, Door] LH Front [RHD]	S-56007223
1984-96 Switch Assembly [Window, Door] RH Front [RHD]	S-56010051
1984-96 Instrument Cluster [RHD, Kilometers]	S-56009018
1984-96 Wiper Motor Assembly, RHD	S-55155300
1995-96 Airbag [Steering Wheel, Black] Export Only, CANNOT BE SOLD DOMESTICALLY	S-5FL22SX8

S-55027697



S-55155464



S-55154734



S-52030035AB



S-55155300

Jeep® Wrangler Surplus Stock	Part#
1994-95 Rear Drive Shaft [4.0L] Wrangler w/ Manual Trans. and 3 inch Slip Yoke	S-52098221
1987-95 Wrangler 6-CYL W/ AX15 Manual Trans., Flywheel Housing	S-53007105
1981-96 CJ, Wrangler World Cab, Door Right Side	S-55034394
1981-96 CJ, Wrangler World Cab, Door Left Side	S-55034395
1987-95 Wrangler Cowl Grill w/ Screen	S-55175729
1991-95 Wrangler Hardtop Side Vent Window, LH	S-55176281
1991-95 Wrangler Hardtop Side Vent Window, RH	S-55176280
1987-95 Temp Control Cable Assembly	S-55036907



S-52006508



S-55154683



S-55034395

Keeping The **JEEP LEGEND** *Alive*

We are more than just a Jeep® parts and accessories manufacturer... we are Jeep® people. Over the years we have amassed an extensive Jeep® collection including this SAS.



DRIVETRAIN ENGINEERING PERFECTED



Are you looking for an axle or ring and pinion rugged enough to match your off the beaten path sense of adventure? Alloy USA® axle shafts and Precision Gear® ring & pinions have been propelling muscle cars, trucks and four wheel drive vehicles down highways, drag strips, back roads and over the world's roughest terrain for nearly a decade. With the recent asset and intellectual property purchase of Alloy USA® and Precision Gear® by Ultra Axle LLC, an affiliate of Omix-Ada® Inc., these two brands are now backed by an industry leading, financially strong company that will be there for you in the long haul. As a member of the Omix-Ada® group of companies Alloy USA® will provide the service and support you demand! Our dedicated team of engineers have developed, tested, raced and trail ridden each of our products until they were perfected. We marry the mechanics of engineering with the art of manufacturing to produce the finest in drivetrain solutions. High tensile strength 4340 Chromoly is heat-treated, tempered and induction hardened to produce these heavy-duty axles that are up to 40% stronger than stock. We use the latest splining technology to produce splines that are stronger than traditional cut splines. The shafts are then precision CNC machined and magnaflux inspected for cracks before receiving the Alloy USA® logo and a slick black anodized or natural finish.

Why have we put so much time and energy into developing our Axle Shafts and Ring & Pinions? Because horsepower is useless if you can't get it to the ground. We take pride in engineering solutions and prove it by backing each product with an industry leading warranty. Each axle is covered by our exclusive 10-year limited warranty and each ring and pinion is covered by a 5-year limited warranty so you can drive with confidence!

THE BEST WARRANTY IN THE BUSINESS

Alloy USA® Limited Warranty

Your Alloy USA® product is covered by the Limited Warranty explained below that gives you specific legal rights. This limited warranty is the only warranty Ultra Axle® LLC (the distributor/warrantor of these products) makes in connection with your purchase. Ultra Axle® LLC neither assumes nor authorizes any vendor, retailer or other person or entity to assume for it any other obligation or liability in connection with its products or Limited Warranty.

What is covered? Subject to the terms, exclusions and limitations herein and with respect only to products first sold in the United States, Ultra Axle® LLC warrants to the initial retail purchaser only that products sold under its Alloy USA® and Precision Gear® trademarks including Axle Shafts, Ring and Pinions, Installation Kits, Jeep® Overhaul Kits, Alloy USA® X Joints and Differential Covers shall be free of defects in material and workmanship for the Limited Warranty term/duration described below. This Limited Warranty shall be measured from the date of initial retail purchase, extends only to the initial retail purchaser and is not transferable. All other express or implied warranties are hereby disclaimed. Your warrantor for these parts is Ultra Axle®. Ultra Axle® reserves the right to: [a.] require proof of purchase as a condition of this Limited Warranty, [b.] make future revisions to its Limited Warranty without prior notice.

What is not covered: Your Alloy USA®, Precision Gear® Limited Warranty does not cover damage or claims to any component, vehicle or person other than Alloy USA® or Precision Gear® parts purchased by the initial retail purchaser. Your Alloy USA®, Precision Gear® Limited Warranty does not cover damage or claims to any component, vehicle or person Ultra Axle® LLC determines to have been damaged by or subjected to:

- Installation damage, alteration, modification, misuse or failure to maintain.
- Products used in application other than those recommended in the current Alloy USA®/Precision Gear® catalog or the instructions accompanying your Alloy USA® Precision Gear® product.
- Normal wear and tear/product life deterioration, scratches or defects in product finishes [powder coating, plating, etc.] or damage due to shipping.
- Damage arising or related to non- Ultra Axle® LLC products including but not limited to any vehicle's electronic stability system, related components or other vehicle systems.
- Accidents, impact by rocks, trees, obstacles or other aspects of the use environment.
- Theft, vandalism or other intentional damage.

Remedy Limited to Repair / Replacement. The exclusive remedy provided hereunder shall, upon Ultra Axle® LLC inspection and at Ultra Axle® LLC option, be either repair or replacement of the Ultra Axle® LLC parts covered under this Limited Warranty. Customers requesting warranty consideration should first contact the independent distributor selling your part to obtain a Returned Goods Authorization number. All removal, shipping and installation costs are customer's responsibility. If a replacement part is needed before the Ultra Axle® LLC part can be returned, you must first purchase the replacement part. Then, if Ultra Axle® LLC determines the part warrantable, you will be credited the purchase price of that part.

Other Limitations - Exclusion of Damages - Your Rights Under State Law

- In consideration of the purchase price paid, neither Ultra Axle® LLC nor any independent distributor are responsible for any loss of use or time, rental costs, or for any incidental, consequential, punitive or other damages you may have or incur in connection with your vehicle or any Ultra Axle® LLC product. Your exclusive remedy for Ultra Axle® LLC parts covered hereunder is repair/replacement as described above.
- This Limited Warranty gives you specific rights. You may also have other rights that vary from state to state. For example, while all implied warranties are disclaimed herein, any implied warranty required by law is limited to the duration and other enforceable terms of Limited Warranty described above. Some states do not allow limitations of how long an implied warranty lasts and /or do not allow the exclusion or limitation of incidental or consequential damages, so the limitations and exclusions herein may not apply to you.

© Ultra Axle® LLC Axle LLC. 1.3.2010. All Rights Reserved. Jeep® is a registered trademark of Chrysler LLC. Ultra Axle® LLC is an independent aftermarket vendor not affiliated with any vehicle manufacturer. Pro Gear® and Ultralite Gears and Differentials® are additional trademarks of Ultra Axle® LLC.

Chrysler®, Chevrolet®, Dodge®, GM®, Ford®, Jeep®, International® & other names used here are trademarks of their respective owners and are used within this publication for identification purposes only. Alloy USA® is not affiliated with these companies. The information in this catalog is believed to be correct at the time of publishing. The publisher is not responsible for any losses, direct or indirect, that are the result of any information within this publication. Alloy USA® and Precision Gear® and their corresponding logos are trademarks of Ultra Axle®, LLC. DMIX-ADA® and its corresponding logo are registered trademarks of DMIX-ADA®, Inc. Registered 2010, Ultra Axle®, LLC. all rights reserved.



FRONT AXLE KITS

High tensile strength 4340 Chromoly is heat-treated, tempered and induction hardened to produce these heavy-duty axles that are up to 40% stronger than stock 1040 axles. Each axle shaft is backed by Alloy USA's exclusive ten-year warranty! We use the latest splining technology to produce splines that are stronger than traditional cut splines. The shafts are then precision CNC machined and magnaflux inspected for cracks before receiving a slick black anodized finish. Our front axle shaft kits include everything you need to complete the job: both passenger and drive side inner and outer axle shafts, seals, U-joints and clips.



JEEP® COMPLETE INNERS/OUTERS WITH U-JOINTS & CLIPS

Application	Part #	Inner	Outer	Ring
Jeep CJ5 72-83, CJ7 & CJ8 76-81, Dana 30 Grande 30-Spline Kit [Narrow-Trac Kit] ³	12129	30	27	D30
Jeep CJ5 72-83, CJ7 & CJ8 76-81, Dana 30 Grande 30-Spline Kit With ARB Locker [Narrow-Trac Kit], 3.73 & Up	12129-ARB	30	27	D30
Jeep CJ5 72-83, CJ7 & CJ8 76-81, Dana 30 27-Spline Kit [Narrow-Trac Kit]	12139	27	27	D30
Jeep CJ7 & CJ8, 82-86, Dana 30 Grande 30-Spline Kit [Wide-Trac Kit] ³	12130	30	27	D30
Jeep CJ7 & CJ8, 82-86, Dana 30 Grande 30-Spline Kit With ARB Locker [Wide-Trac Kit], 3.73 & Up	12130-ARB	30	27	D30
Jeep CJ7 & CJ8 82-86, Dana 30 27-Spline Kit [Wide-Trac Kit]	12142	27	27	D30
Jeep Wrangler [YJ] 87-95, Cherokee [XJ] 84-91, Dana 30 27-Spline Kit [Disconnect Eliminator]	12145	27	27	D30
Jeep Wrangler [YJ] 87-95, Cherokee [XJ] 84-91, Dana 30 30-Spline Kit	12131	30	27	D30
Jeep Wrangler [XJ] 87-95, Cherokee [XJ] 84-91, Dana 30 30-Spline Kit w/ARB Locker , 3.73 & Up	12131-ARB	30	27	D30
Jeep Wrangler [XJ] 87-95, Cherokee [XJ] 84-91, Dana 30 Grande 30/30-Spline Kit [30-Spline Inners & Outers]	12231	30	30	D30
Jeep Wrangler [XJ] 87-95, Cherokee [XJ] 84-91, Dana 30 Grande 30/30-Spline Kit w/ ARB Locker [30-Spline Inners & Outers] ² , 3.73 & Up	12231-ARB	30	30	D30
Jeep Wrangler [TJ] 97-06, Cherokee [XJ] 92-01, Dana 30 27-Spline Kit	12148	27	27	D30
Jeep Wrangler [TJ] 97-06, Cherokee [XJ] 92-01, Dana 30 Grande 30-Spline Kit ³	12132	30	27	D30
Jeep Wrangler [TJ] 97-06, Cherokee [XJ] 92-01, Dana 30 Grande 30-Spline Kit w/ ARB Locker, 3.73 & Up	12132-ARB	30	27	D30
Jeep Wrangler [TJ] 97-06, Cherokee [XJ] 92-01, Dana 30 Grande 30/30-Spline Kit [30-Spline Inners & Outers] ^{1,2,3}	12232	30	30	D30
Jeep Wrangler [TJ] 97-06, Cherokee [XJ] 92-01, Dana 30 Grande 30/30-Spline Kit w/ ARB Locker [30-Spline Inners & Outers] ^{1,2} , 3.73 & Up	12232-ARB	30	30	D30
Jeep Wrangler [TJ] Rubicon 03-06, Dana 44 Grande 30-Spline Kit	12165	30	27	D44
Jeep Wrangler [TJ] Rubicon 03-06, Dana 44 30/30-Spline Kit [30-Spline Inners & Outers] ¹	12265	30	30	D44
Jeep Wrangler [JK] 07-14, Dana 30 27-Spline Kit	12152	27	32	D30
Jeep Wrangler [JK] Rubicon 07-14, Dana 44 30-Spline Kit	12155	30	32	D44
Jeep Wagoneer [SJ] 74-79, Dana 44 30-Spline Kit	12171	30	19	D44
Jeep Wagoneer [SJ] 80-92, Dana 44 30-Spline Kit	12174	30	19	D44

¹ NOTE: This kit includes upgraded 30 spline bearing hub units.

² NOTE: When converting to 30 spline outer axles, 1999 and older models must use the 2000-06 Wrangler rotor [Omix 16702.05].

³ NOTE: Upgrade to 30 spline locker required.

⁴ NOTE: Not available at the time of this printing. Will be announced when available.

GRANDE OUTER STUB UPGRADE

Grande 30 spline outer stub upgrade replaces factory 27 spline outer stub axles to 30 spline.

Kit includes:

2 - 30 Spline Chromoly Axle Stub Shafts

2 - 30 Spline Unit Bearings

2 - Alloy X-Joints



Application	Part #
Jeep Wrangler [YJ, TJ] 87-06, Cherokee [XJ] 84-01, 30-Spline Outer/Unit Bearing Upgrade Kit	12168
Jeep Wrangler [TJ] 00-06, 30-Spline Bearing Service Unit	35400

NOTE: When converting to 30 spline outer axles, 1999 and older models must use the 2000-06 Wrangler brake rotor [Omix 16702.05].

ALLOY USA® DANA 30 MANUAL LOCKING HUB CONVERSION KITS

The Alloy USA® Hub Conversion Kit is designed to upgrade and replace the non-serviceable wheel hubs found on 1984-06 Wranglers and Cherokees. Now you can lock and unlock your front hubs to reduce driveline strain and improve fuel economy! The Deluxe Hub Conversion kit includes a set of Rugged Ridge® Manual Locking Hubs, high tensile strength 27 spline inner and outer Alloy USA® 4340 Chromoly Axle Shafts, 1/2 ton capacity aluminum internal mounting hubs, Alloy USA® X-Joints, machined front brake rotors, bearings, seals and hardware.... everything you need to upgrade your rig and prepare it for the trail. Maximum recommended tire size is 33".



12198

Alloy USA® Grande Hub Conversion Kits Feature:

- Better fuel economy by freewheeling in 2WD mode. Decreases tire wear since unlocked manual hubs rotate more freely.
- Includes beefy Corrosion resistant die cast aluminum Rugged Ridge® Manual Locking Hubs.

Deluxe Hub Conversion with Alloy USA® Inner & Outer Axles

	Part #
87-95 YJ (Eliminates Disonnects), 97-06 TJ, 84-01 XJ, D30 Manual Locking Hub Deluxe Conversion Kit, Includes Alloy USA® Inner Axle Shafts	12198

Standard Hub Conversion without Inner Shafts

87-95 Wrangler [YJ], 84-91 Cherokee [XJ], D30 Manual Locking Hub Conversion Kit	12194
97-06 Wrangler [TJ], 92-01 Cherokee [XJ], D30 Manual Locking Hub Conversion Kit	12195

Service Rotor Brake For Front Hub Conversion

87-95 Wrangler [YJ], 97-06 Wrangler [TJ], 84-01 Cherokee [XJ]	16702.13
---	----------

FRONT AXLE KITS



GM Complete Inners/Outers With U-Joints & Clips

	Part #	Inner	Outer	Ring
GM 1/2-Ton Pickup, Suburban, Blazer, Jimmy 77-87, 8.5" 30-Spline Kit	12170	30	19	GM 8.5
GM 1/2-Ton Pickup, Suburban, Blazer, Jimmy 73-78, Dana 44 30-Spline Kit	12172	30	19	D44

Ford Complete Inners/Outers With U-Joints & Clips

	Part #	Inner	Outer	Ring
Ford F150 68-79, Bronco 78-79, Dana 44 30-Spline Kit	12175	30	19	D44
Ford F250 68-79, Dana 44 30-Spline Kit	12176	30	19	D44
Ford Bronco 71-77, Dana 44 30-Spline Kit	12177	30	27	D44

International Complete Inners/Outers With U-Joints & Clips

	Part #	Inner	Outer	Ring
International Scout 71-80, Dana 44 30-Spline Kit	12173	30	27	D44

FRONT & REAR DANA 60 SHAFTS

Our Dana 60 shafts feature the same high strength 4340 Chromoly shafts used in our front axle kits. These heavy-duty shafts are 40% stronger than OE and are made to stand up to abuse. You run a Dana 60 because you wanted the strength, don't let weak 30 spline axles ruin your day. Upgrade to our 35 spline count axles and wheel with confidence. Each Alloy USA® axle is backed by an industry leading 10-year warranty. We use the latest splining technology to produce splines that are stronger than traditional cut splines. Our shafts are heat-treated, tempered and induction hardened to produce these heavy-duty axles that are up to 40% stronger than stock.

Application	Part #	Side	Length	Spline	Model
DODGE					
Dana 60 Chromoly Inner Axle Shaft ⁵	10662	RH	15.97"	35	D60
Dana 60 Chromoly Inner Chevy/Dodge	10661	LH	35.10"	35	D60
FORD					
Dana 60 78-79 Ford 18.68 LH Chromoly 35-Spline ⁵	10663	LH	18.68"	35	D60
Dana 60 78-79 Ford 34.56 RH Chromoly 35-Spline ⁵	10664	RH	34.56"	35	D60
Dana 60 Chromoly Inner Axle Shaft, 83-91 Ford, LH, Inner, 35-Spline ⁵	10662	LH	15.97"	35	D60
Dana 60 Ford 83-91 36.68 RH Inner 35-Spline Chromoly ⁵	10665	RH	36.68"	35	D60
FORD OUTER STUB AXLES					
Dana 60 Chromoly Ford Outer Unit Bearing 35-Spline ⁵	10652	NA	10.5"	35	D60
Dana 60 Ford Style Front Outer - 4340 Chromoly ⁵	10651	NA	11.40"	35	D60
GM					
Dana 60 Chromoly RH Inner Axle Shaft Chevy ⁵	10660	RH	17.67"	35	D60
Dana 60 Chromoly LH Inner Chevy/Dodge	10661	LH	35.10"	35	D60
GM OUTER STUB AXLES					
Dana 60 GM Style Front Outer - 4340 Chromoly	10650	NA	12"	35	D60
BUILDERS SHAFTS					
Dana 60 Front Blank 22" - 4340 Chromoly ⁵	10600	NA	22"	35	D60
Dana 60 Front Blank 39" - 4340 Chromoly ⁵	10601	NA	39"	35	D60
Rear Semi-Float, 35-Spline, Dual Bolt Circle - 4140 Chromoly ⁵	21114	NA	29.5"	35	D60
Rear Semi-Float, 35-Spline, Dual Bolt Circle - 4140 Chromoly ⁵	21115	NA	29.25"	35	D60
Rear Semi-Float, 35-Spline With 3.5"-Spline, Dual Bolt Circle - 4140 Chromoly ⁵	21214	NA	31.5"	35	D60
Rear Semi-Float, 35-Spline With 3.5"-Spline, Dual Bolt Circle- 4140 Chromoly ⁵	21215	NA	31.25"	35	D60

⁴ NOTE: Not available at the time of this printing. Will be announced when available.

⁵ NOTE: Upgrade to a 35 spline locker required



PERFORMANCE REAR AXLE KITS FOR JEEP®

High tensile strength 4140 Chromoly is heat-treated, tempered and induction hardened to produce these heavy-duty axles that are up to 35% stronger than stock 1040 axles. Alloy USA® uses the latest cold rolled splining technology, to produce splines that are stronger than traditional cut splines. Our shafts are covered by an exclusive 10-year warranty! Rear axle shaft kits include everything you need for your installation: both passenger and drive side shafts, seals, bearings and wheel studs. Upgraded spline counts for Jeep® applications: Dana 35 spline upgrades from 27 splines to 30 splines. Dana 44 spline upgrades from 30 splines to 33 and 35 splines.



12126
AMC 20 Rear Axle Kit
shown includes wheel
studs & lug nuts.

Jeep® 2 Axles - Bearings - Seals - Wheel Studs

	Part #	Spline	Ring
Jeep CJ5 76-83, CJ7 & CJ8 76-81, AMC 20, 1-Piece Conversion, Narrow-Trac, Kit	12125	29	M20
Jeep CJ7 76-79, AMC 20, 1-Piece Conversion, Quadratrac Kit	12127	29	M20
Jeep CJ7 & CJ8 82-86, AMC 20, 1-Piece Conversion, Wide-Trac Kit	12126	29	M20
Jeep Wrangler [YJ] 87-89, Cherokee [XJ] 84-89, Dana 35 Grande 30-Spline Kit, [Non C-clip] ¹	12133	30	D35
Jeep Wrangler [YJ] 87-89, Cherokee [XJ] 84-89, Dana 35 Grande 30-Spline Kit With ARB Locker (Non C-clip), 3.54 & Up	12133-ARB	30	D35
Jeep Wrangler [YJ] 87-89, Cherokee [XJ] 84-89, Dana 35 Grande 30-Spline Kit With Detroit Locker (Non C-clip), 3.54 & Up	12133-DET	30	D35
Jeep Wrangler [YJ] 90-95, [TJ] 97-06, Cherokee [XJ] 90-01, Dana 35 27-Spline Kit, [C-clip, Without ABS]	12200	27	D35
Jeep Wrangler [YJ] 90-95, [TJ] 97-06, Cherokee [XJ] 90-01, Dana 35 Grande 30-Spline Kit, [C-clip, Without ABS] ¹	12134	30	D35
Jeep Wrangler [YJ] 90-95, [TJ] 97-06, Cherokee [XJ] 90-01, Dana 35 Grande 30-Spline Kit With ARB Locker, [C-clip, Without ABS], 3.54 & Up	12134-ARB	30	D35
Jeep Wrangler [YJ] 90-95, [TJ] 97-06, Cherokee [XJ] 90-01, Dana 35 Grande 30-Spline Kit With Detroit Locker, [C-clip, Without ABS], 3.54 & Up	12134-DET	30	D35
Jeep Grand Cherokee [ZJ] 94-98, Dana 35 27-Spline Kit	12201	27	D35
Jeep Grand Cherokee [ZJ] 94-98, Dana 44 30-Spline Kit	12202	30	D44
Jeep Wrangler [TJ] 97-06, Dana 44 30-Spline Kit	12135	30	D44
Jeep Wrangler [TJ] 97-06, Dana 44 30-Spline Kit	12235	30	D44
Jeep Wrangler [TJ] 97-06, Dana 44 Grande 33-Spline Kit ²	12136	33	D44
Jeep Wrangler [TJ] 97-06, Dana 44 Grande 33-Spline Kit With ARB Locker, 3.92 & Up	12136-ARB	33	D44
Jeep Wrangler [TJ] 97-06, Dana 44 Grande 33-Spline Kit With Detroit Locker, 3.92 & Up	12136-DET	33	D44
Jeep Wrangler [TJ] 97-06, Dana 44 Mas Grande 35-Spline Kit ³	12137	35	D44
Jeep Wrangler [TJ] 97-06, Dana 44 Mas Grande 35-Spline Kit With ARB Locker, 3.92 & Up	12137-ARB	35	D44
Jeep Wrangler [JK] 07-14, Dana 44 Grande 30-Spline Kit NEW	12156	30	D44
Jeep Wrangler [JK] 07-14 Rubicon, Dana 44 Grande 32-Spline Kit NEW	12158	32	D44

¹ NOTE: Upgrade to 30 spline locker required.

² NOTE: Upgrade to 33 spline locker required.

³ NOTE: Upgrade to 35 spline locker required.



PERFORMANCE REAR AXLE SHAFTS

Rule #1: If it broke it needed to be upgraded. For less than the cost of an original replacement axle shaft you can upgrade to an Alloy USA® performance shaft. Each axle is heat-treated, tempered and induction hardened to have twice the tensile strength than stock and is up to 35% stronger. We use the latest splining technology, to produce splines that are stronger than traditional cut splines.

Jeep® Axle Shafts, Sold Individually.

Wheel Bearings, Seals, & Wheels Studs Available Separately

Part # Hollander Spline Length Side Ring

	Part #	Hollander	Spline	Length	Side	Ring
Jeep CJ5 72-75, Dana 44, LH/RH, 30-Spline	21147	NA	30	24-3/4"	LH/RH	D44
Jeep CJ5 76-83, CJ7 & CJ8 76-81, AMC 20, 2-Piece OE Style RH, Narrow-Trac	21130	NA	29	29"	RH	M20
Jeep CJ5 76-83, CJ7 & CJ8 76-81, AMC 20, 2-Piece OE Style LH, Narrow-Trac	21131	NA	29	26-1/4"	LH	M20
Jeep CJ5 76-83, CJ7 & CJ8 76-81, AMC 20, 1-Piece Conversion RH, Narrow-Trac	21101	NA	29	23.06"	RH	M20
Jeep CJ5 76-83, CJ7 & CJ8 76-81, AMC 20, 1-Piece Conversion LH, Narrow-Trac	21100	NA	29	26.03"	LH	M20
Jeep CJ7 76-79, AMC 20, 2-Piece OE Style RH, Quadratrac	21132	NA	29	22"	RH	M20
Jeep CJ7 76-79, AMC 20, 2-Piece OE Style LH, Quadratrac	21133	NA	29	33-1/2"	LH	M20
Jeep CJ7 76-79, AMC 20, 1-Piece Conversion RH, Quadratrac	21104	NA	29	19"	RH	M20
Jeep CJ7 76-79, AMC 20, 1-Piece Conversion LH, Quadratrac	21105	NA	29	30-7/16"	LH	M20
Jeep CJ7 & CJ8 82-86, AMC 20, 2-Piece OE Style RH, Wide-Trac	21134	NA	29	31-9/16"	RH	M20
Jeep CJ7 & CJ8 82-86, AMC 20, 2-Piece OE Style LH, Wide-Trac	21135	NA	29	28-9/16"	LH	M20
Jeep CJ7 & CJ8 82-86, AMC 20, 1-Piece Conversion RH, Wide-Trac	21103	NA	29	28-7/16"	RH	M20
Jeep CJ7 & CJ8 82-86, AMC 20, 1-Piece Conversion LH, Wide-Trac	21102	NA	29	25.19"	LH	M20
Jeep Wrangler [YJ] 87-89, Cherokee [XJ] 84-89, Dana 35, RH, 27-Spline w/o ABS	21136	1799R	27	28.94"	RH	D35
Jeep Wrangler [YJ] 87-89, Cherokee [XJ] 84-89, Dana 35, LH, 27-Spline w/o ABS	21137	1799L	27	30.35"	LH	D35
Jeep Wrangler [YJ] 90-92, Cherokee [XJ] 90-91, Dana 35, RH, 27-Spline w/ ABS	21138	NA	27	29.04"	RH	D35
Jeep Wrangler [YJ] 90-92, Cherokee [XJ] 90-91, Dana 35, LH, 27-Spline w/ ABS	21139	NA	27	30.54"	LH	D35
Jeep Wrangler [YJ] 90-95, [TJ] 97-06, Cherokee [XJ] 92-01, Dana 35, RH, 27-Spline w/o ABS	21120	1797R	27	29-1/16"	RH	D35
Jeep Wrangler [YJ] 90-95, [TJ] 97-06, Cherokee [XJ] 92-01, Dana 35, LH, 27-Spline w/o ABS	21121	1797L	27	30-9/16"	LH	D35
Jeep Wrangler [YJ] 93-95, [TJ] 97-02, Cherokee [XJ] 92-01 Dana 35, RH, 27-Spline w/ ABS & Drum	21140	1832R	27	29"	RH	D35
Jeep Wrangler [YJ] 93-95, [TJ] 97-02, Cherokee [XJ] 92-01 Dana 35, LH, 27-Spline w/ ABS & Drum	21141	1832L	27	30-5/8"	LH	D35
Jeep Wrangler [TJ] 03-06, Dana 35, RH, 27-Spline w/ABS & Rear Drum	21148	NA	27	29"	RH	D35
Jeep Wrangler [TJ] 03-06, Dana 35, LH, 27-Spline w/ABS & Rear Drum	21149	NA	27	29.06"	LH	D35
Jeep Wrangler [TJ] 03-06, Dana 35, RH, 27-Spline w/ABS & Rear Disc	21150	NA	27	29"	RH	D35
Jeep Wrangler [TJ] 03-06, Dana 35, LH, 27-Spline w/ABS & Rear Disc	21151	NA	27	29.75"	LH	D35
Jeep Wrangler [TJ] 97-06, Dana 44, RH, 30-Spline w/o ABS	21106	2416R	30	29-3/4"	RH	D44
Jeep Wrangler [TJ] 97-06, Dana 44, LH, 30-Spline w/o ABS	21107	2416L	30	29-1/4"	LH	D44
Jeep Wrangler [TJ] 03-06, Dana 44, RH, 30-Spline w/ABS & Rear Drum	21142	NA	30	29-3/4"	RH	D44
Jeep Wrangler [TJ] 03-06, Dana 44, LH, 30-Spline w/ABS & Rear Drum	21143	NA	30	29-1/4"	LH	D44
Jeep Wrangler [TJ] 03-06, Dana 44, RH, 30-Spline w/ABS & Rear Disc	21144	NA	30	29-3/8"	RH	D44
Jeep Wrangler [TJ] 03-06, Dana 44, LH, 30-Spline w/ABS & Rear Disc	21145	NA	30	30-1/16"	LH	D44
Jeep Wrangler [JK] 07-14, Dana 44, LH/RH, 30-Spline	21204C	NA	30	31.49"	LH/RH	D44
Jeep Wrangler Rubicon [JK] 07-14, Dana 44, LH	21205C	NA	32	30.79"	LH	D44
Jeep Wrangler Rubicon [JK] 07-14, Dana 44, RH	21206C	NA	32	32.165"	RH	D44
Jeep Cherokee [XJ] 91-96, LH/RH, Chrysler 8.25", 27-Spline	21116	1831	27	29-3/4"	LH/RH	8.25"
Jeep Cherokee [XJ] 97-01, LH/RH, Chrysler 8.25", 29-Spline	21118	2235	29	29-3/4"	LH/RH	8.25"
Jeep Grand Cherokee [ZJ] 94-98, Dana 35, RH, 27-Spline, w/ ABS & Rear Disc Brakes	21122	2081R	27	29-1/8"	RH	D35
Jeep Grand Cherokee [ZJ] 94-98, Dana 35, LH, 27-Spline, w/ ABS & Rear Disc Brakes	21123	2081L	27	30-9/16"	LH	D35
Jeep Grand Cherokee [ZJ] 94-98, Dana 44, RH, 30-Spline, w/ ABS & Rear Disc Brakes	21124	2232R	30	29-1/4"	RH	D44
Jeep Grand Cherokee [ZJ] 94-98, Dana 44, LH, 30-Spline, w/ ABS & Rear Disc Brakes	21125	2232L	30	30-1/4"	LH	D44
Jeep Grand Cherokee [WJ] 99-04, Dana 35, RH, 27-Spline	21126	2461	27	30-1/4"	RH	D35
Jeep Grand Cherokee [WJ] 99-04, Dana 35, LH, 27-Spline	21127	2462	27	31-7/8"	LH	D35
Jeep Grand Cherokee [WJ] 99-04, Dana 44, RH, 30-Spline	21128	2703R	30	29-3/8"	RH	D44
Jeep Grand Cherokee [WJ] 99-04, Dana 44, LH, 30-Spline	21129	2703L	30	32-3/8"	LH	D44

PERFORMANCE REAR AXLE KITS FOR CARS/TRUCKS

Why do you need Alloy USA® axle shafts? Because horsepower is useless if you can't get it to the ground. Our performance rear axle kits feature 1541H alloy steel and have been propelling cars to victory for nearly a decade. 1541H is a high carbon steel that contains significantly more manganese than 1040 steel found in your stock axles. This increases ductility and translates the ability to absorb stresses. Our heat-treated and induction hardened shafts have twice the tensile strength than stock and are up to 35% stronger. We use the latest cold spline rolling technology to produce splines that are stronger than traditional cut splines. No cuts means no edges, which create stress points and can lead to fracturing. The shafts are then precision CNC machined and magnaflux inspected for cracks before receiving a slick black anodized or natural finish. Our rear axle shaft kits include everything you need for your installation: both passenger and drive side shafts, seals, bearings and wheel studs.



Application	Part #	Spline	Ring
FORD 2 Axles · Bearings · Seals · Wheel studs			
Ford Mustang 4-Lug 79-93, 8.8", 28-Spline Kit	12182	28	8.8"
Ford Mustang 4-Lug 79-93, 8.8", 31-Spline Kit ⁴	12183	31	8.8"
Ford Mustang 5-Lug 79-93, 8.8", 28-Spline Kit	12180	28	8.8"
Ford Mustang 5-Lug 79-93, 8.8", 31-Spline Kit ⁴	12181	31	8.8"
Ford Mustang 94-98, 8.8", 28-Spline Kit	12184	28	8.8"
Ford Mustang 94-98, 8.8", 31-Spline Kit ⁴	12185	31	8.8"
Ford Mustang 99-04, 8.8", 28-Spline Kit	12186	28	8.8"
Ford Mustang 99-04, 8.8", 31-Spline Kit ⁴	12187	31	8.8"
Ford Mustang 05-09 4.6L, 8.8", 31-Spline Kit	12189	31	8.8"
GM 2 Axles · Bearings · Seals · Wheel studs			
Chevrolet Chevelle 65-67, Camaro 67-69, Nova 70-75, 8.2" & 8.5", 28-Spline Kit	12100	28	8.2"
Chevrolet Chevelle 68-72, Camaro 70-81 LH/RH, 8.2" & 8.5", 28-Spline Kit	12101	28	8.2"
Chevrolet Chevelle 68-72, Camaro 70-81, 8.875", 30-Spline Kit	12109	30	8.875"
Chevrolet Chevelle 65-67, Camaro 67-69, 8.875", 30-Spline Kit	12110	30	8.875"
Chevrolet Chevelle 73-77, 8.5", 28-Spline Kit	12102	28	8.5"
Chevrolet Camaro 90-92, 7.625", 28-Spline Kit	12103	28	7.625"
Chevrolet Camaro 93-96, 7.625", 28-Spline Kit	12104	28	7.625"
INTERNATIONAL HARVESTER 2 Axles · Bearings · Seals · Wheel studs			
International Harvester Scout 71-80	12128	30	D44

⁴ NOTE: Upgrade to 31 spline locker required.





PERFORMANCE REAR AXLE SHAFTS FOR CARS/TRUCKS

Axle shafts sold individually. Wheel bearings, seals and wheel studs available separately.

Don't just replace your axle shafts, upgrade them. For less than the cost of an original replacement axle shaft you can upgrade to an Alloy USA® performance shaft. Our axles are made from 1541H or 4140 steel depending on the application. Each axle is heat-treated and induction hardened to have twice the tensile strength than stock and is up to 35% stronger. We use the latest cold spline rolling technology to produce splines that are stronger than traditional cut splines. No cuts means no edges which create stress points and can lead to fracturing. Each shaft is backed by our exclusive 10-year warranty.

Application	Part #	OE Part #	Hollander	Spline	Length	Side	Ring
FORD - Axle Shafts Sold Individually. Wheel bearings, seals and wheel studs available separately.							
CAR							
Ford Crown Victoria 91-97, Mercury Marquis 92-97 w/ ABS LH/RH	15159	F2AZ4234B	1823	1823	28	31-3/4"	LH/RH 8.8"
Ford Crown Victoria 98-02, Mercury Marquis 98-02 LH/RH	15160	F8AZ4234B	2307	2307	28	32-7/16"	LH/RH 7.5"/8.8"
Ford Mustang 67-70, Mercury Cougar 67-70 LH 9" 31-Spline	15150	C90Z4234C	973L	973L	31	27.12"	LH 9"
Ford Mustang 67-70, Mercury Cougar 67-70 RH 9" 31-Spline	15151	C90Z4234D	973R	973R	31	31-1/4"	RH 9"
Ford Mustang 4 Lug 79-93 LH/RH, 8.8", 28-Spline	15116	D9BZ4234AC	1231	1231	28	29.125"	LH/RH 8.8"
Ford Mustang 79-93 5-lug LH/RH; Ford Ranger 83-92 LH, 8.8" 28-Spline	15110	E3TZ4234C	1338	1338	28	29-1/16"	LH/RH 8.8"
Ford Mustang, 4 Lug 79-93 LH/RH, 8.8-Inch, 31-Spline ^a	15142	M-4235-B	-	-	31	29-1/16"	LH/RH 8.8"
Ford Mustang, 5 Lug 79-93 LH/RH, 8.8-Inch, 31-Spline ^a	15138	M-4235-F	-	-	31	29-1/16"	LH/RH 8.8"
Ford Mustang 94-98 LH/RH, 8.8", 28-Spline	15117	F4ZZ4234B	2006	2006	28	29-15/16"	LH/RH 8.8"
Ford Mustang, 94-98 LH/RH, 8.8-Inch, 31-Spline ^a	15137	M-4235-D	-	-	31	29-15/16"	LH/RH 8.8"
Ford Mustang 99-04 LH/RH, 8.8", 28-Spline	15154	XR3Z4234AA	2425	2425	28	30-5/8"	LH/RH 8.8"
Ford Mustang, 99-04 LH/RH, 8.8-Inch, 31-Spline ^a	15136	M-4235-E	-	-	31	30-5/8"	LH/RH 8.8"
Ford Mustang 05-09 4.6L LH, 8.8", 31-Spline	15156	5R3Z4234B	-	-	31	31-11/16"	LH 8.8"
Ford Mustang 05-09 4.6L RH, 8.8", 31-Spline	15155	5R3Z4234A	-	-	31	32-13/16"	RH 8.8"
TRUCK							
Ford Bronco II, 83-91 RH, 8.8", 28-Spline	15109	E4T2423A	1227	1227	28	27-3/4"	RH 8.8"
Ford Expedition, Lincoln Navigator 97-02 RH, 9.75", 34-Spline	15146	F75Z4234LA	2236	2236	34	31-1/4"	RH 9.75"
Ford Expedition, Lincoln Navigator 97-02 LH, 9.75", 34-Spline	15145	F75Z4234LB	2237	2237	34	33.37"	LH 9.75"
Ford Explorer 95-00 RH, 8.8" 31-Spline	15114	F5TZ4234A	2120	2120	31	27.62"	RH 8.8"
Ford Explorer 95-00 LH, 8.8" 31-Spline	15115	F5TZ4234B	2121	2121	31	30-1/2"	LH 8.8"
Ford E150 87-96 RH, 8.8", 31-Spline	15107	E7UZ4234E	1575	1575	31	35-5/8"	RH 8.8"
Ford F150, E150 74-86, Rear LH/RH, 9", 31-Spline	15102	D6TZ4234A	1172	1172	31	31-27/32"	LH/RH 9"
Ford F150, Bronco 83-86 RH, 8.8", 31-Spline	15100	E3TZ4264D	1340	1340	31	31-1/16" ¹	RH 8.8"
Ford F150, Bronco 83-86 LH, 8.8", 31-Spline	15101	E3TZ4234E	1341	1341	31	31-3/16"	LH 8.8"
Ford F150, E150, Bronco 87-96 RH, 8.8", 31-Spline	15103	E7TZ4234A	1573	1573	31	31-1/16"	RH 8.8"
Ford F150, Bronco 87-96 LH, 8.8", 31-Spline	15104	E7TZ4234B	1574	1574	31	33-3/16"	LH 8.8"
Ford F150, Expedition 97-04, RH, 8.8", 31-Spline	15105	F75Z4234AA	2192	2192	31	31-3/4"	RH 8.8"
Ford F150, Expedition 97-04, LH, 8.8", 31-Spline	15106	F75Z4234AB	2193	2193	31	33-3/8"	LH 8.8"
Ford F150, 97-04 LH, 9.75", 34-Spline	15143	F75Z4234MB	2239	2239	34	33.37"	LH 9.75"
Ford F150, 97-04 RH, 9.75", 34-Spline	15144	F75Z4234MA	2238	2238	34	31-3/4"	RH 9.75"
Ford F250, 86-97 RH Semi Float, 10.25", 35-Spline	15134	E6TZ4234B	1506	1506	35	30.56"	RH 10.25"
Ford F250, 86-97 LH Semi Float, 10.25", 35-Spline	15135	E6TZ4234C	1507	1507	35	33"	LH 10.25"
Ford Ranger 83-92 RH, 7.5", 28-Spline	15108	E3TZ4234B	1337	1337	28	26-1/4"	RH 7.5"/8.8"
Ford Ranger 93-97 RH, 8.8", 28-Spline	15139	F37Z4234A	2080R	2080R	28	27-1/4"	RH 8.8"
Ford Ranger 93-97 LH, 8.8", 28-Spline	15140	F37Z4234B	2089L	2089L	28	30-1/8"	LH 10.75"/8.8"
Ford Ranger 99-01 RH, 7.5" / 8.8", 28-Spline	15157	F87Z4234AC	24A	24A	28	27-1/4"	RH 7.5"/8.8"
Ford Ranger 99-01 LH, 7.5" / 8.8", 28-Spline	15158	F87Z4234AD	2420	2420	28	30-1/4"	LH 7.5"/8.8"

^a NOTE: Upgrade to 31 spline locker required.

PERFORMANCE REAR AXLE SHAFTS FOR CARS/TRUCKS CONTINUED



**Induction Hardened &
Heat Treated**

Cold Rolled Splines



**Black Anodized or
Natural Finish**

Up to 35% Stronger Than Stock

Application	Part #	OR Part #	Hollander	Spline	Length	Side	Ring
DODGE Axle Shafts Sold Individually. Wheel bearings, seals and wheel studs available separately.							
Dodge Truck/Ramcharger 4WD 74-79, Truck/Ramcharger 2WD 75-83 LH/RH, 9.25", 31-Spline	19100	3723824	1081	31	31-1/16"	LH/RH	9.25"
Dodge Truck/Ramcharger 4WD 80-84 LH/RH, 9.25", 31-Spline (Until 3/31/84)	19102	4037726	1289	31	31-5/8"	LH/RH	9.25"
Dodge Truck/Ramcharger 4WD 84-93 LH/RH, 9.25", 31-Spline (After 4/1/84)	19101	4137429	1398	31	31-5/8"	LH/RH	9.25"
Dodge 1/2-Ton Pickup 94-00 LH/RH, 9.25", 31-Spline	19111	52067614	2030	31	34"	LH/RH	9.25"
GM Axle Shafts Sold Individually. Wheel bearings, seals and wheel studs available separately.							
Pontiac GTO, Firebird 66-69 LH/RH, 8.2", 28-Spline	17131	-	-	28	30"	LH/RH	8.2"
Chevrolet Chevelle 68-72, Camaro 70-72 LH/RH, 8.875", 30-Spline	17119	3969285	1000	30	30-1/16"	LH/RH	8.875"
Chevrolet Chevelle 65-67, Camaro 67-69, Chevy II 68-72 LH/RH, 8.875", 30-Spline	17120	3969349	1005	30	29-9/16"	LH/RH	8.875"
Chevrolet Chevelle 65-67, Camaro 67-69, Nova 70-75 LH/RH, 8.2" & 8.5", 28-Spline	17121	1255803	1010	28	29-5/8"	LH/RH	8.2/8.5"
Chevrolet Chevelle 68-72, Camaro 70-81 LH/RH, 8.2" & 8.5", 28-Spline	17122	1255802	1015	28	30-1/8"	LH/RH	8.2/8.5"
Chevrolet Chevelle 73-77 LH/RH, 8.5", 28-Spline	17123	1255801	1067	28	29-9/16"	LH/RH	8.5"
Chevrolet Camaro 90-92 LH/RH, 7.625", 28-Spline	17126	26031252	1776	28	30-5/8"	LH/RH	7.625"
Chevrolet Camaro 93-96 LH/RH, 7.625", 28-Spline	17127	26027558	1960	28	32"	LH/RH	7.6"
Chevrolet Camaro 98-02 (With Traction Control) LH/RH, 7.625", 28-Spline	17136	26059972	2342	28	32"	LH/RH	7.625"
GM 91-96 LH/RH, Caprice w/Disc Brakes 91-96, Cadillac RWD 91-92, Buick 91-96	17141	26018080	1858	30	30-3/8"	LH/RH	8.5"
GM 1/2 Ton Pickup 65-69 LH/RH, 8.875", 30-Spline	17133	3893605	780	30	20-1/2"	LH/RH	8.875"
GM Blazer, Jimmy, Suburban, 1/2 Ton Pickup 70-81 LH/RH, 4WD, 8.875", 30-Spline	17103	14071750	1063	30	31-9/32"	LH/RH	8.875"
GM Blazer, Suburban, 1/2 Pickup 70-81 LH/RH, 8.875", 2WD, 30-Spline	17109	14071751	1062	30	31-5/16"	LH/RH	8.875"
GM Blazer, C10, C1500, Jimmy, Suburban, 1/2 Pickup 79-89 LH/RH, 2WD, 8.5" 28-Spline	17112	14035542	1204	28	31.38"	LH/RH	8.5"
GM Blazer, Jimmy, Suburban, 1/2 Ton Pickup 81-88 LH/RH, 8.5", 28-Spline	17104	14039547	1300	28	31-5/16"	LH/RH	8.5"
GM Suburban (3/4 & 1 Ton), Van (3/4 & 1 Ton) 81-96 LH/RH, 9.5", 33-Spline	17140	14035395	1276	33	32-9/16"	LH/RH	9.5"
GM 1/2 Ton Pickup 88-00; Suburban, Tahoe, Yukon 92-98 LH/RH, 8.5", 4WD w/ IFS, 30-Spline	17137	26010416	1671	30	33"	LH/RH	8.5"
GM Blazer, Jimmy, Suburban, 1/2 Ton Pickup 88-91 LH/RH, 8.5", 30-Spline	17105	26010414	1652	30	31-5/16"	LH/RH	8.5"
GM Suburban, 1/2 Ton Pickup, 3/4 Ton Pickup 88-99 LH/RH, 9.5", 6 Lug, 33-Spline	17106	15521928	1610	33	33.13"	LH/RH	9.5"
GM Suburban (1/2 Ton), Blazer 88-91lh/rh, 8.5", 30-Spline	17113	26010415	1669	30	31-3/4"	LH/RH	8.5"
GM 1500 Series 88-98; 1/2 Pickup 88-00; Suburban 92-98; Tahoe, Yukon 94-98 LH/RH, 8.5"	17110	26010417	1670	30	31-13/16"	LH/RH	8.5"
GM 1500 Series 92-98, 2500 Series 88-98, 3500 Series 88-89, 3/4 Ton 88-89 LH/RH, 9.5", 8-lug	17118	15522070	1615	33	31-13/16"	LH/RH	9.5"
GM Silverado, Sierra 99-01 With Disc Brakes LH/RH, 8.5", 30-Spline	17129	12471369	2457	30	33-5/8"	LH/RH	8.5"
GM S10, S15, SM, Blazer, Jimmy, Sonoma 83-89 LH/RH, 7.5", 4WD, 26-Spline	17108	14035368	1329	26	29"	LH/RH	7.6"
GM S10 88-94 LH/RH, 7.5", 2WD, 28-Spline	17125	26015759	1599	28	26-5/8"	LH/RH	7.5"
GM S10, S15, SM, Blazer, Jimmy, Sonoma 90-98 LH/RH, 7.5" & 7.625", 4WD, 28-Spline	17107	26013882	1651	28	29"	LH/RH	7.5"
GM 1/2 Ton Van 75-88 LH/RH, 8.5", 28-Spline	17139	14042690	1085	28	33-5/16"	LH/RH	8.5"
GM 1/2 Ton Van 88-95 LH/RH, 8.5", 30-Spline	17138	26013313	1672	30	33-5/16"	LH/RH	8.5"
GM Astro Van 90-98 LH, 7.5", 28-Spline	17116	26011054	1765	28	34-13/16"	LH	7.5"
GM Astro Van 90-98 RH, 7.5", 28-Spline	17117	26011055	1764	28	30-1/16"	RH	7.5"
INTERNATIONAL Axle Shafts Sold Individually. Wheel bearings, seals and wheel studs available separately.							
International Scout 71-80 LH/RH, Dana 44	21117C	706162-2X	-	30	28-1/4"	LH/RH	D44

RING & PINION MASTER INSTALLATION & OVERHAUL KITS FOR JEEP®

These great kits offer all the components you will need to complete your differential rebuild or ring & pinion installation. Complete with bearings, pinion seals, pinion shims, crush sleeve, pinion nut, ring gear bolts and marking compound.



Application	Part #
CJ5, CJ7, CJ8 72-86, Dana 30, Front	352065
CJ5, CJ7, CJ8, 72-86, AMC Model 20	352025
CJ5, CJ7, 72-75, Dana 44 Rear	352033
Wrangler [YJ] 87-95, Cherokee [XJ] 84-91, Dana 30 Front	352032
Wrangler [YJ, TJ] 87-06, Cherokee [XJ] 84-01, Dana 35 Rear	352049
Wrangler [TJ] 97-06, Cherokee [XJ] 92-01, Dana 30 Front	352031
Wrangler [TJ] 97-06, Dana 44 Rear	352033
Wrangler [TJ] Rubicon 03-06, Dana 44 Front/Rear	352045
Wrangler [JK] 07-14, Dana 30, Front (NEW)	352050
Wrangler [JK] 07-14, Dana 44, Front (NEW)	352051
Wrangler Rubicon [JK] 07-14, Dana 44, Rear (NEW)	352052
Wrangler X, Sahara [JK] 07-14, Dana 44, Rear (NEW)	352053
Grand Cherokee [WJ] 99-04, Dana 35, Rear	352061
Grand Cherokee [WJ] 99-00, Before 3/29/00, Dana 44, Rear	352062
Grand Cherokee [WJ] 00-04, After 3/29/00, Dana 44, Rear	352063
Grand Cherokee [WJ] 99-04, After 3/29/00, Dana 44, Rear	352034
Grand Cherokee [XJ] 91-01, Chrysler 8.25, Rear	352064
Grand Cherokee [ZJ] 93-98	352049
Grand Cherokee [ZJ] 93-98	352031

HD DIFFERENTIAL COVERS

Indestructible! You won't break these covers, we guarantee it. Made from either 3/8" cast steel or 5/16" stamped steel, painted black inside and out, these heavy-duty covers are designed to protect your differential and all its working parts for as long as you own your vehicle. These indestructible covers have been ".44 caliber tested" - if they can take a bullet at point blank range (don't try this at home!), they can take all that the trail has to offer. Available for most popular Dana differential types and include extra reinforcement protection for the fill plug area. All mounting hardware and instructions are included for ease of installation.

Differential Cover Application	Cast 3/8" Steel	Stamped 5/16" Steel
HD AMC 20	11205	-
HD Dana 30	11206	11200
HD Dana 35	11201	-
HD Dana 44	11202	-
HD Dana 60	11207	11203

CAST

STAMPED



11206



11200

JEEP® RING & PINIONS

These affordable high strength gear sets come in all the popular ratios to satisfy everyone's gearing needs. Oversized tires require higher ring & pinion ratios to restore performance. Made from high quality 8620 forgings and Gleason gear cutting technology, these gears are made to last. Complete installation kits are available separately to complete the job. Exclusive 5-year warranty. Available in 3.73, 4.10, 4.56, 4.88 and 5.13 ratios.



Application

Application	Ratio	Part #
FRONT		
CJ5, CJ7, CJ8, 72-86, Dana 30 Front, 3.73 Ratio	3.73	D30373
CJ5, CJ7, CJ8, 72-86, Dana 30 Front, 4.10 Ratio	4.10	D30410
CJ5, CJ7, CJ8, 72-86, Dana Front 30, 4.56 Ratio	4.56	D30456
CJ5, CJ7, CJ8, 72-86, Dana 30 Front 4.88 Ratio	4.88	D30488
Wrangler [YJ] 87-95, Cherokee [XJ] 84-91, Dana 30 Reverse, 3.73 Ratio	3.73	D30373R
Wrangler [YJ] 87-95 Cherokee [XJ] 84-91, Dana 30 Reverse, 4.10 Ratio	4.10	D30410R
Wrangler [YJ] 87-95, Cherokee [XJ] 84-91, Dana 30 Reverse, 4.56 Ratio	4.56	D30456R
Wrangler [YJ] 87-95, Cherokee [XJ] 84-91, Dana 30 Reverse, 4.88 Ratio	4.88	D30488R
Wrangler [TJ] 97-06, Front Dana 30, 3.73 Ratio (Short)	3.73	D30373TJ
Wrangler [TJ] 97-06 Front Dana 30, 4.10 Ratio (Short)	4.10	D30410TJ
Wrangler [TJ] 97-06, Cherokee [XJ] 92-01, Dana 30, 4.56 Ratio (Short)	4.56	D30456TJ
Wrangler [TJ] 97-06, Cherokee [XJ] 92-01, Dana 30 4.88 Ratio (Short)	4.88	D30488TJ
Wrangler [TJ] Rubicon 03-06, Front/Rear Dana 44, 4.88 Ratio	4.88	D44488X
Wrangler [TJ] Rubicon 03-06, Front/Rear Dana 44, 5.13 Ratio	5.13	D44513X
Wrangler [JK] 07-14, Liberty [KK] 08-09 Front Dana 30, 3.73 Ratio *	3.73	D30373RJK
Wrangler [JK] 07-14, Front Dana 30, 4.10, Ratio *	4.10	D30410RJK
Wrangler [JK] 07-14, Front Dana 30, 4.56, Ratio *	4.56	D30456RJK
Wrangler [JK] 07-14, Front Dana 30, 4.88 Ratio *	4.88	D30488RJK
Wrangler [JK] 07-14, Front Dana 30, 5.13 Ratio *	5.13	D30513RJK
Wrangler [JK] 07 [w/ Trulok] 08-14 All, Front Dana 44, 4.10 Ratio *	4.10	D44410RJK
Wrangler [JK] 07-14, Front Dana 44, 4.56 Ratio *	4.56	D44456RJK
Wrangler [JK] 07-14, Front Dana 44, 4.88 Ratio *	4.88	D44488RJK
Wrangler [JK] 07-14, Front Dana 44, 5.13 Ratio *	5.13	D44513RJK
Wrangler [JK] 07-14, Front Dana 44, 5.38 Ratio *	5.38	D44538RJK
REAR		
CJ5, CJ7, CJ8, 76-86, AMC 20, 3.73 Ratio	3.73	AMC373
CJ5, CJ7, CJ8, 76-86, AMC 20, 4.10 Ratio	4.10	AMC410
CJ5, CJ7, CJ8, 76-86, AMC 20, 4.56 Ratio	4.56	AMC456
CJ5, CJ7, CJ8, 76-86, AMC 20, 4.88 Ratio	4.88	AMC488
Wrangler [YJ, TJ] 87-06, Cherokee [XJ] 84-01, Dana 35 Rear, 3.73 Ratio	3.73	D35373
Wrangler [YJ, TJ] 87-06, Cherokee [XJ] 84-01, Dana 35 Rear, 4.10 Ratio	4.10	D35410
Wrangler [YJ, TJ] 87-06, Cherokee [XJ] 84-01, Dana 35 Rear, 4.56 Ratio	4.56	D35456
Wrangler [YJ, TJ] 87-06, Cherokee [XJ] 84-01, Dana 35, 4.88 Ratio	4.88	D35488
Wrangler [TJ] 97-06, Rear Dana 44, 3.73 Ratio	3.73	D44373
Wrangler [TJ] 97-06, Rear Dana 44, 4.10 Ratio	4.10	D44410
Wrangler [TJ] 97-06, Rear Dana 44, 4.56 Ratio	4.56	D44456
Wrangler [TJ] 97-06, Rear Dana 44, 4.88 Ratio	4.88	D44488
Wrangler [TJ] 97-06, Rear Dana 44, 5.13 Ratio	5.13	D44513
Wrangler [TJ] Rubicon 03-06, Front/Rear Dana 44, 4.88 Ratio	4.88	D44488X
Wrangler [TJ] Rubicon 03-06, Front/Rear Dana 44, 5.13 Ratio	5.13	D44513X
Wrangler [JK] 07-14, Rear 7/16 Bolts, Dana 44, 4.10 Ratio *	4.10	D44410JK
Wrangler [JK] 07-14, Rear Dana 44, 4.56 Ratio *	4.56	D44456JK
Wrangler [JK] 07-14, Rear Dana 44, 4.88 Ratio *	4.88	D44488JK
Wrangler [JK] 07-14, Rear Dana 44, 5.13 Ratio *	5.13	D44513JK
Wrangler [JK] 07-14, Rear Dana 44, 5.38 Ratio *	5.38	D44538JK
Cherokee [XJ] 91-01, Chrysler 8.25", 3.55 Ratio	3.55	C83/355

*2012 and up models may require an aftermarket programmer to sync the new gear ratio to the transmission controller

WHEEL SPACERS

- Moves your wheels out to help fit wider tires-creates extra stability.
- Hub centric design to assure wheel balance.
- Constructed of durable 6061T6 aluminum for long life, extra strength and corrosion resistance.
- Available in 1.25" to 1.5" widths for today's most popular wheel sizes.
- Each pair includes pre-installed grade 8 wheel studs, 10 lug nuts and thread locker.
- Wheel adaptors convert current bolt patterns to alternate bolt patterns for use with different wheels.
- Wheel Spacers and Wheel adaptors are sold in pairs.



WHEEL SPACERS

APPLICATION	Width	Bolt Pattern	Part #
Jeep CJ 1945-1986	1.25"	5 on 5.5"	11302
Jeep Cherokee 1984-2001	1.25"	5 on 4.5"	11301
Jeep Wrangler 1987-2006	1.25"	5 on 4.5"	11301
Jeep Wrangler 2007-2014	1.50"	5 on 5.0"	11300

WHEEL ADAPTORS

APPLICATION	Width	Conversion	Part #
Jeep Wrangler 1987-2006, Cherokee 1984-2001, Pair	1.25"	5 on 4.5" to 5 on 5.5"	11310

SLOTTED BRAKE ROTORS



Alloy USA® slotted & drilled brake rotors improve braking performance right out of the box. Slotted & drilled for maximum cooling! Slotted rotors improve brake pad bite & reduce brake fade.

APPLICATION	Part #
1990-1999 Wrangler, 1990-1999 Cherokee (4WD Only), Disc Brake Rotor (Front)	11350
2000-2006 Wrangler, 2000-2001 Cherokee, Disc Brake Rotor (Front)	11351
2002-2007 Liberty, 2003-2006 Wrangler, Disc Brake Rotor (Rear)	11352
2007-2013 Wrangler, Disc Brake Rotot (Front) NEW	11353
2007-2013 Wrangler, Disc Brake Rotot (Rear) NEW	11354

ALLOY USA® FRONT AXLE X-JOINT COLD FORGED · SERVICEABLE

APPLICATION	Part #
Heavy Duty Alloy X-joint, Complete U-joint With Bearings (760 Style) Replaces 5-297X/5-760X	11500

Now a serviceable U-joint for Dana 44 applications is available to you. Replace your 760X U-joint with Alloy USA's new X-joint!



OTHER U-JOINTS

Direct OE replacement

APPLICATION	Part #
U-Joint, Dana 44 Front, Wrangler (JK) Rubicon 07-14	16525.08
1310-1330 Conversion U-Joint, 94-97 Wrangler for DV Driveshaft, 94-04 Mustang 4.6L	5-134X



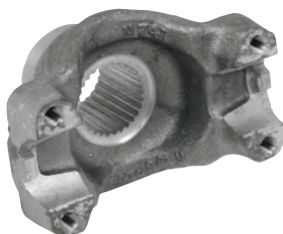
ABS TONE RING



APPLICATION	Part #
ABS Tone Ring, Dana 44 Rear, Wrangler (JK) 07-14 NEW	11320

DANA 60 / 70 YOKE 1410 SERIES

Genuine Dana Spicer NOS yoke for 1410 series U-Joint. Some oxidization may have occurred during shelf life.



Description	Part #
Dana 60 / 70 Yoke 1410 Series	3-4-5711-1X

YOKE CONVERSION KITS

These great Conversion Kits allow you to convert your old strap style yoke to the newer stronger u-bolt design. Not only it the U-bolt kit stronger, it makes changinge out a failed U-joint a painless process. The kit includes a new yoke, pinion nut, pinion spacer, pinion seal, u-joint and u-bolts. Alloy USA uses premium Spicer U-joints in all their yoke kits.



YOKE CONVERSION KITS - Converts Strap To U-Bolt Design, Includes Spicer U-Joint & U-Bolts

	Part #
CJ5 76-81, CJ7, CJ8 76-86, AMC 20	380003
CJ5, CJ7, CJ8, 72-86, Wrangler (YJ, TJ) 87-06, Cherokee (XJ) 84-01, Dana 30	380001
Wrangler (YJ) 87-93, Wrangler (TJ) 97-02, Cherokee (XJ) 84-95, Dana 35	380002

DIFFERENTIAL CABLE LOCK KITS

The Alloy USA® Differential Cable Lock Kit is a permanent replacement for the failure prone OE vacuum disconnect system. The kit allows you to engage and lock the front axle from inside the cab. A 1inch pull of the cable ensures you will have four wheel drive when you need it for as long as the transfer case is engaged. The Differential Cable Lock Kit is more cost effective and easier to install than a locker or posi-trac system. Backed by a three year warranty.



APPLICATION	Part #
Shift Fork, Cast Iron, For Use W/ Alloy USA or Posi Lok Differential Cable Lock Kit, Jeep W/ Front Dana 30 Wrangler [YJ] 87-95, Cherokee [XJ] 84-91	450100
Differential Cable Lock Kit, With D44 or D60 Axle, Dodge 1500 1994-2001, 2500 1994-2004	450400
Differential Cable Lock Kit, Dodge Ramcharger 85-93	450450
Differential Cable Lock Kit, GM 83-99 S/T 10 & 15, Blazer, Jimmy w/ Vacuum Actuator	450500
Differential Cable Lock Kit, GM 88-98 1500 / 2500 6-Lug, Chevrolet 92-98 Suburban / Tahoe / Yukon 6-Lug	450600
Differential Cable Lock Kit, Ford F150 97-03 4X4	450750
Differential Cable Lock Kit, GM 88-98 2500 / 3500 8-Lug, Chevrolet 92-98 Suburban / Tahoe / Yukon 8-Lug	450800
Differential Cable Lock Kit, With Front D30 Axle, Jeep Wrangler [YJ] 1987-1995, Cherokee [XJ] 1984-1991	450900
Differential Cable Lock Kit, For 3-In To 6-In Lift, With Front D30 Axle, Jeep Wrangler [YJ] 1987-1995, Cherokee [XJ] 1984-1991	450920
Differential Permanent Cable Lock Kit, GM 88-98 1500 / 2500 6-LUG, 88-98 1500 / 2500 8-Lug, Chevrolet 92-98 Suburban / Tahoe / Yukon 6-Lug, Chevrolet 92-98 Suburban / Tahoe / Yukon 8-Lug	451000
Differential Permanent Cable Lock Kit, Jeep w/ Front D30 Wrangler [YJ] 87-95, Cherokee [XJ] 84-91; Dodge W/ D44 or D60 1500 94-01, 2500 94-04	451100

TRANSFER CASE CHAIN



If you're servicing your transfer case and your OE chain has more than 60,000 miles on it, it is time for a replacement. Why replace your chain when can upgrade it? Our advanced Round Pin technology allows the chain to double back on itself and offer greater articulation than the standard rocker pin design. We use high tensile strength steel to ensure that your TC chain endures peak loads under heavy operating conditions repeatedly over time. Backed by an industry leading three year warranty.

Transfer Case Chain	Part #
Transfer Case Chain, NP231 and NP233, 1" Width w/ 30 Links, Jeep Wrangler [YJ] 87-95, [TJ] 97-06, Cherokee [XJ] 84-01, Grand Cherokee [ZJ] 93-97	11650
Quadratrac Transfer Case Chain, 2 5/8" Width w/ 48 Links, CJ7 76-79 w/ Automatic Transmission	11651

TRANSFER CASE SLIP YOKE ELIMINATOR KIT



11400 Slip Yoke Eliminator Kit

This kit is a MUST if you installed a 2" or taller suspension lift in your 1988-2006 Wrangler (not needed for body lifted Jeeps®). The kit fits all 1988 and up NP 231 transfer cases. A Slip Yoke Eliminator Kit [SYE] will eliminate the need to drop your transfer case in order to avoid drive train vibrations that are caused by taller suspension lift. The purpose of this kit is to replace the slip yoke portion of the NP 231 with a fixed yoke and CV-style drive shaft assembly. This reduces drive shaft angle, improves bearing & U-joint life, reduces driveline vibrations. It also has a shorter and stronger main shaft design with improved oiling. Will not work with cable driven speedometers. Not for use with Rubicon models.

WARNING:
 WARNING: OEM slip yokes on 1988-2006 Jeep® Wrangler are not suitable for use with 2" or taller Rugged Ridge™ or other vendors' suspension lifts. Failure of slip yoke may result in damage to transfer case and/or loss of vehicle control. Use of this slip yoke eliminator kit is required for all suspension lifts 2" or taller. See additional product safety information and WARNINGS at back of catalog.

Transfer Case Slip Yoke Eliminator Kit	Part #
88-06 Wrangler, 88-01 Cherokee Slip Yoke Eliminator (with NP231 transfer case) *, Kit	11400
Pinion Yoke	18676.61
Oil Seal	18676.62
Hardware Kit	18676.64

ALLOY USA® AXLE TUBE SEALS

Keep water, mud and debris from entering your front axle housing. These CNC machined aluminum housings feature two seals to provide double protection from the crud.



APPLICATION	Part #
1984-06 Wrangler [YJ,TJ] Cherokee [XJ] Grand Cherokee [ZJ] Dana 30 [1]	11102 RED 11103 BLACK
1984-06 Wrangler [YJ,TJ] Cherokee [XJ] Grand Cherokee [ZJ] 2007-12 Wrangler w/ Grande Axles [JK] Dana 30 or 44 front axle [2]	11105 RED 11106 BLACK
Replacement Inner Seal For 11102 and 11103	11108
Replacement Inner Seal For 11105 and 11106	11109

[1] Note: Will not fit 87-95 Wranglers with O.E. front disconnect axle. Must upgrade to one piece axle. Will not fit Grande 30 spine axles. For 27 Spline applications only.
[2] Note: Will not fit 87-95 Wranglers with O.E. front disconnect axle. Must upgrade to 1 pc 30 spline grand axle. For use with all grande 30 spline axle upgrades & Rubicon Dana 44's.



BALL JOINT BOOT

Ball joint boot is made from wear resistant flexible polyurethane and resists rips and tears

BALL STUD

SAE 4140 - OIL QUENCHED AND TEMPERED

Note: When oil quenched and tempered, 4140 chromoly alloy becomes almost twice as strong as standard 4140 steel.

Spiral grooved channels insure grease flows to all surface areas of ball joint.

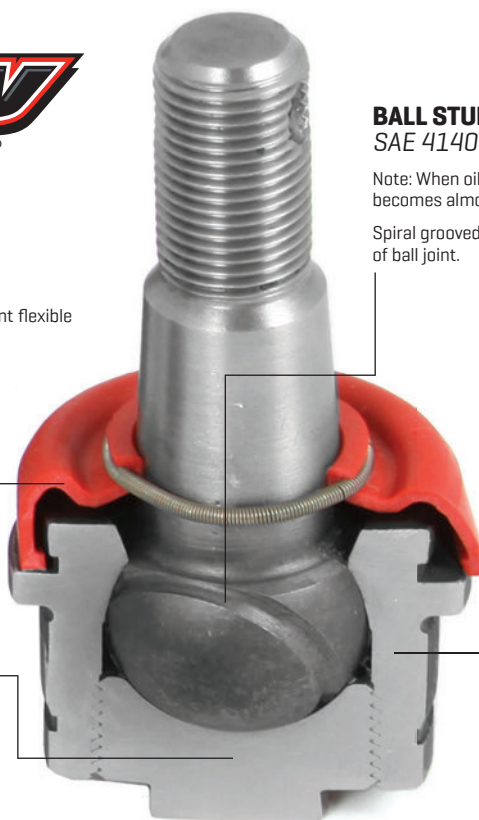


CROWN PRESSURE PLATE SAE 4120 - CARBURIZED

Carburized - The core of the material retains its bulk properties, while the outside is significantly hardened to reduce wear and tear on the part. This makes the grade of steel an excellent material for such uses as gears, piston pins and crankshafts and now Ball Joints.

HOUSING BODY SAE 4120 - CARBURIZED

Carburized - The core of the material retains its bulk properties, while the outside is significantly hardened to reduce wear and tear on the part. This makes the grade of steel an excellent material for such uses as gears, piston pins and crankshafts and now Ball Joints.



HD BALL JOINT KITS

You know that the factory ball joints are just fine for the factory set up, but who drives around in a factory stock Jeep anymore? When you are adding larger tires and therefore more stress on the components, the stock ball joints tend to fail prematurely. The Alloy USA heavy duty ball joints were designed for vehicles with lift kits and larger than factory tires to eliminate the stock weak points and make improvements that will help the off-road enthusiast. **No nylon inserts to wear out.**



Application

Part

4-Piece Ball Joint Kit, 07-14 Jeep Wranglers & 99-04 Jeep Grand Cherokees NEW	11800
4-Piece Ball Joint Kit, 84-98 Jeep Cherokees and 87-06 Jeep Wranglers NEW	11801
4-Piece HD Ball Joint Kit, 72-86 Jeep CJ & 74-91 SJ Models NEW	11802

RING & PINION

Precision Gear® understands the rigors of racing. Horsepower is useless unless you can get it to the ground. Most companies providing ring and pinions today look for the cheapest source without consideration of quality. They “stand behind” their product until the day you buy it and install it on your car. At Precision Gear® each ring and pinion we sell is backed by an exclusive five year warranty! Our gears are made from high quality 8620 forgings and Gleason gear cutting technology because our gears are made to last!



Master Installation Kits:

Precision Gear® understands the complexity of rebuilding your differential. To help solve this difficulty and eliminate multiple trips to the parts store we have including everything you need to complete your ring & pinion installation and get you back on the road quick all in one great kit. Master installation kits include:

Install Kit Includes:

- Carrier Bearings
- Pinion Bearings
- Pinion Nut
- Pinion Seal
- Preload Shims or Crush Collar
- Pinion Shims
- Gasket or RTV
- Marking Compound
- Differential Shims (where applicable)
- Locktite
- Oil Slingers (where applicable)
- Ring Gear Bolts (where applicable)

* Ring & Pinions and Installation Kits are sold separately.

Dana 30	
Ratio	Part #
3.54	300/354
3.73	300/373
4.10	300/410
4.56	300/456
Master Installation Kit	352032
Master Installation Kit	352050
Spider Gear Kit (NEW)	300/SPGK

Dana 35	
Ratio	Part #
3.55	35D/355
3.73	35D/373
4.10	35D/410
4.56	35D/456
4.88	35D/488
Master Installation Kit	352049

Dana 35 Reverse	
Ratio	Part #
4.56	35D/456R
4.88	35D/488R

Dana 60	
Ratio	Part #
3.54	60D/354
3.73	60D/373
4.10	60D/410
4.56	60D/456
4.88	60D/488
5.13	60D/513
5.13	60D/513R
Master Installation Kit	352034

Dana 44	
Ratio	Part #
3.31	44D/331
3.54	44D/354
3.73	44D/373
4.09	44D/409
4.56	44D/456
4.88	44D/488
4.88	44D/488TH
5.13	44D/513
Master Installation Kit	352033
Master Installation Kit	352051
Master Installation Kit	352052
Master Installation Kit	352053

Dana 44 Reverse	
Ratio	Part #
3.07	44D/307R
3.54	44D/354R
3.73	44D/373R
4.09	44D/409R
4.56	44D/456R
4.88	44D/488R
5.13	44D/513R
Master Installation Kit	352033A

AMC 20	
Ratio	Part #
3.73	AMC/373
4.10	AMC/410
4.56	AMC/456
Master Installation Kit	352025

AMC 70	
Ratio	Part #
5.86	7060/586

Chrysler 9.25	
Ratio	Part #
3.55	CRY/355
4.10	CRY/410

Ford 8.8"	
Ratio	Part #
3.55	F88/355
3.73	F88/373
4.10	F88/410
4.10	F88/410R
4.30	F88/430
4.56	F88/456
4.88	F88/488
5.13	F88/513
Cross Shaft - Small	F88/XSM
Cross Shaft - Large	F88/XSLM
Master Installation Kit	352013

Ford 9"	
Ratio	Part #
3.50	F9/350
3.70	F9/370
4.11	F9/411
4.57	F9/457
Master Installation Kit	352011

Ford 10.25" (1985-92)	
Ratio	Part #
4.10	F10/410S
4.56	F10/456S
Master Installation Kit	352046

GM 8.5"

Ratio	Part #
3.08	GM10/308
3.42	GM10/342
3.73	GM10/373
3.90	GM10/390
4.56	GM10/456
4.88	GM10/488
Master Installation Kit	352021

GM 9.5"

Ratio	Part #
4.56	GM9/456
4.88	GM9/488

Toyota 8" 200mm

Ratio	Part #
4.56	TOY/456
4.88	TOY/488
5.29	TOY/529
Master Installation Kit	352041

GM 8-7/8"

Ratio	Part #
4.56	GM12/456

GM 10.5

Ratio	Part #
4.10	GM14/410
4.56	GM14/456
4.56+	GM14/456+
4.88+	GM14/488+
5.13+	GM14/513+
Mini Spool	GM14/MSPL
Master Installation Kit	352023
Master Installation Kit	352023A

Toyota 8" Tacoma

Ratio	Part #
5.29	TAC/529

Toyota 7.5" Tacoma

Ratio	Part #
5.29	TAC/529R

Ford 10.25 (1993-98)

Ratio	Part #
4.10	F10/410L
4.56	F10/456L
4.88	F10/488L
5.13	F10/513L
Master Installation Kit	352046

GM 9.25"

Ratio	Part #
Master Installation Kit	352096

Toyota 8" V6/Turbo

Ratio	Part #
4.11	TOY/411T
4.88	TOY/488T
5.29	TOY/529T
Master Installation Kit	352043

Toyota Landcruiser

Ratio	Part #
4.88	LC/488R
5.29	LC/529