



KEEPING THE JEEP® LEGEND ALIVE

LARGEST INDEPENDENT MANUFACTURER AND WHOLESALE-ONLY COMPANY WITH A FULL LINE OF JEEP PARTS AND ACCESSORIES

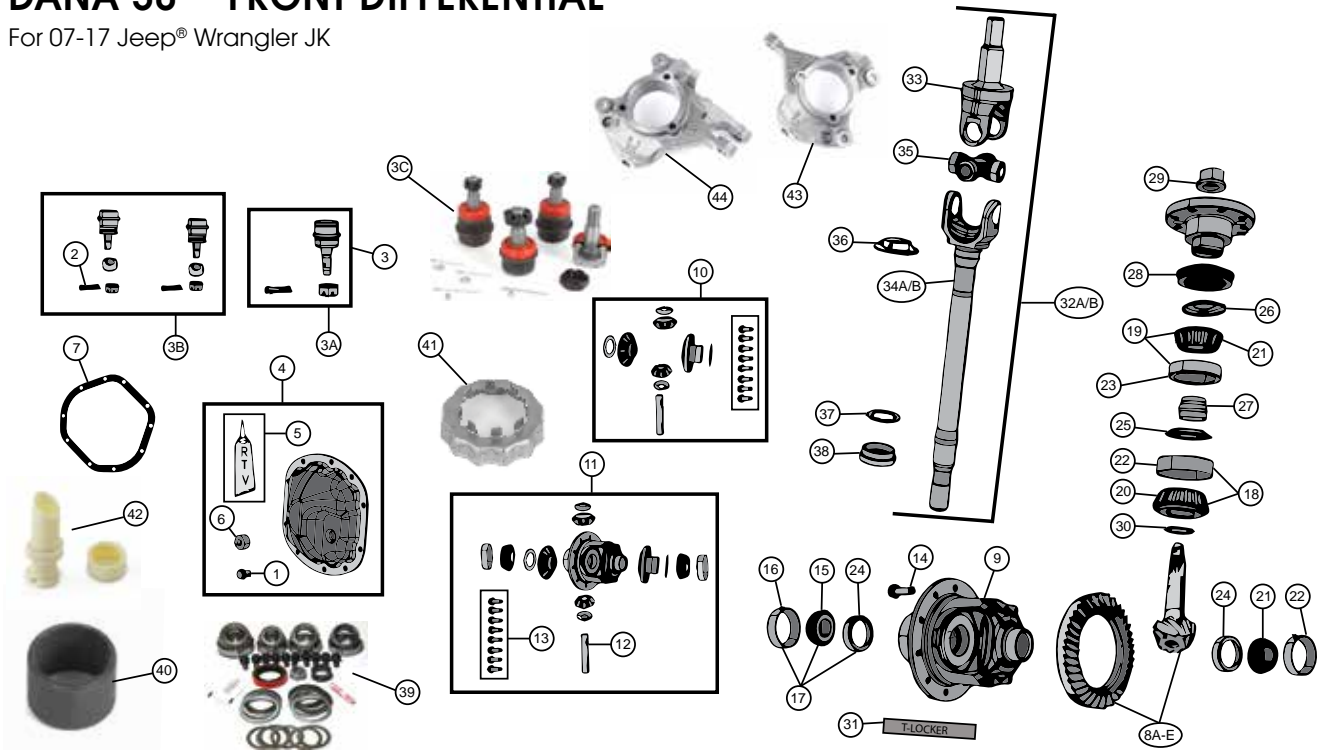
Omix-ADA features the most complete line of high quality functional Jeep® accessories and restoration parts covering Jeeps from 1941 to the present. From beautiful polished stainless steel bolt on accessories to hard core off road protection and performance; we have you covered.



WE MAKE JEEPS ROCK

DANA 30™ FRONT DIFFERENTIAL

For 07-17 Jeep® Wrangler JK



| Key | Description | Part # |
|-----|--|-----------|
| 1 | Bolt, Differential Cover | 16522.02 |
| 2 | Cotter Pin | 16532.03 |
| 3 | Ball Joint, Upper | 18037.05 |
| 3A | Ball Joint, Lower | 18038.04 |
| 3B | Ball Joint Set | 18036.05 |
| 3C | Ball Joint Kit, Full Axle UPGRADE | 11800 |
| 4 | Differential Cover Kit | 16595.81 |
| 5 | RTV Silicone Gasket Maker, 3 Ounce Tube | 19201.01 |
| 6 | Fill Plug | 16595.95 |
| 7 | Gasket, Differential Cover | 16502.01 |
| 8A | Ring & Pinion, 3.73 Ratio UPGRADE | D30373RJK |
| 8B | Ring & Pinion, 4.10 Ratio UPGRADE | D30410RJK |
| 8C | Ring & Pinion, 4.56 Ratio UPGRADE | D30456RJK |
| 8D | Ring & Pinion, 4.88 Ratio UPGRADE | D30488RJK |
| 8E | Ring & Pinion, 5.13 Ratio UPGRADE | D30513RJK |
| 9 | Carrier Case, Standard, 2.75-3.55 Ratios | 16503.04 |
| 10 | Differential Parts Kit, Front | 16512.69 |
| 11 | Cross Shaft, Differential Case | 16507.61 |
| 12 | Ring Gear Bolt Set, 7/16-Inch | 16521.81 |
| 13 | Ring Gear Bolt, 3/8-Inch | 16522.01 |
| 14 | Ring Gear Bolt, 7/16-Inch | 16521.80 |
| 15 | Bearing, Differential Carrier | 16706.02 |
| 16 | Bearing Race, Differential Carrier | 16560.04 |
| 17 | Bearing Kit, Differential Carrier | 16509.05 |
| 18 | Bearing Kit, Inner Pinion | 16515.02 |
| 19 | Bearing Kit, Outer Pinion | 16517.02 |
| 20 | Bearing, Inner Pinion | 16560.02 |
| 21 | Bearing, Outer Pinion | 18674.09 |
| 22 | Bearing Race, Inner Pinion, | 16515.21 |
| 23 | Bearing Race, Outer Pinion | 16560.01 |

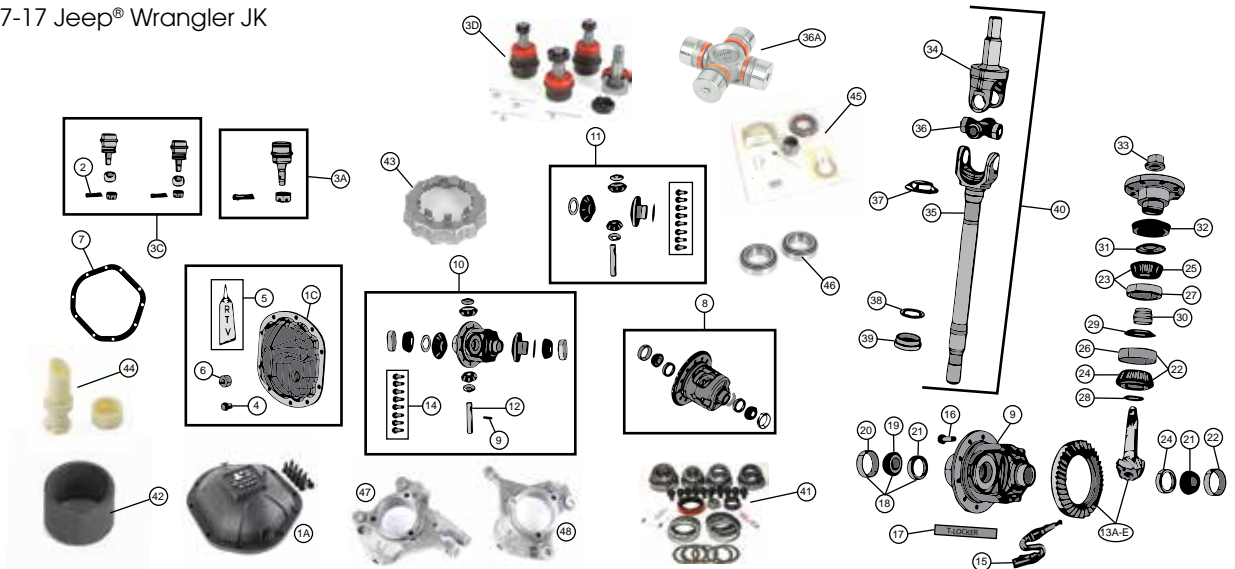
| Key | Description | Part # |
|-----|--|----------|
| 24 | Shim Kit, Differential Side | 16512.23 |
| 25 | Pinion Baffle | 16512.22 |
| 26 | Slinger, Outer Pinion | 16512.66 |
| 27 | Crush Spacer, Pinion | 16512.65 |
| 28 | Flanged Pinion Oil Seal | 16521.12 |
| 29 | Pinion Nut | 16584.01 |
| 30 | Pinion Shim Kit, 0.035 to 0.039 | 16519.02 |
| 31 | Thread Locker, Red | LOC |
| 32A | Axle Shaft Assembly, Front, Left | 16523.55 |
| 32B | Axle Shaft Assembly, Front, Right | 16523.54 |
| 33 | Axle Shaft, Outer, | 10141 |
| 34A | Axle Shaft, Inner, Left Side | 10137 |
| 34B | Axle Shaft, Inner, Right Side | 10136 |
| 35 | U-Joint, Greasable | 16525.04 |
| 36 | Slinger, Axle Shaft | 16512.61 |
| 37 | Axle Shaft Guide | 16526.09 |
| 38 | Seal, Inner Axle, Right or Left, Front | 16534.15 |
| 39 | Master Overhaul Kit | 352050 |
| 40 | Ring Gear Bolt Sleeve, 1/2 to 7/16 Inch | 13380.18 |
| 41 | Spindle Nut Retainer | 16527.01 |
| 42 | Axle Breather | 16561.01 |
| 43 | Steering Knuckle, Left | 18007.02 |
| 44 | Steering Knuckle, Right | 18007.01 |
| | Differential Case Assembly, W/Inner Parts | 16503.67 |
| | Ring & Pinion, 4.10 Ratio | 16513.51 |
| | Bolt, Differential Bearing Cap | 16584.11 |
| | Bushing, Axle Mounting | 18283.15 |
| | Spicer U-Joint, 1410 Series UPGRADE | 16525.10 |

** Pricing not available at time of printing. Check with your retailer for current price and availability.

MINIMUM 5 YEAR WARRANTY

DANA 44™ FRONT DIFFERENTIAL

For 07-17 Jeep® Wrangler JK



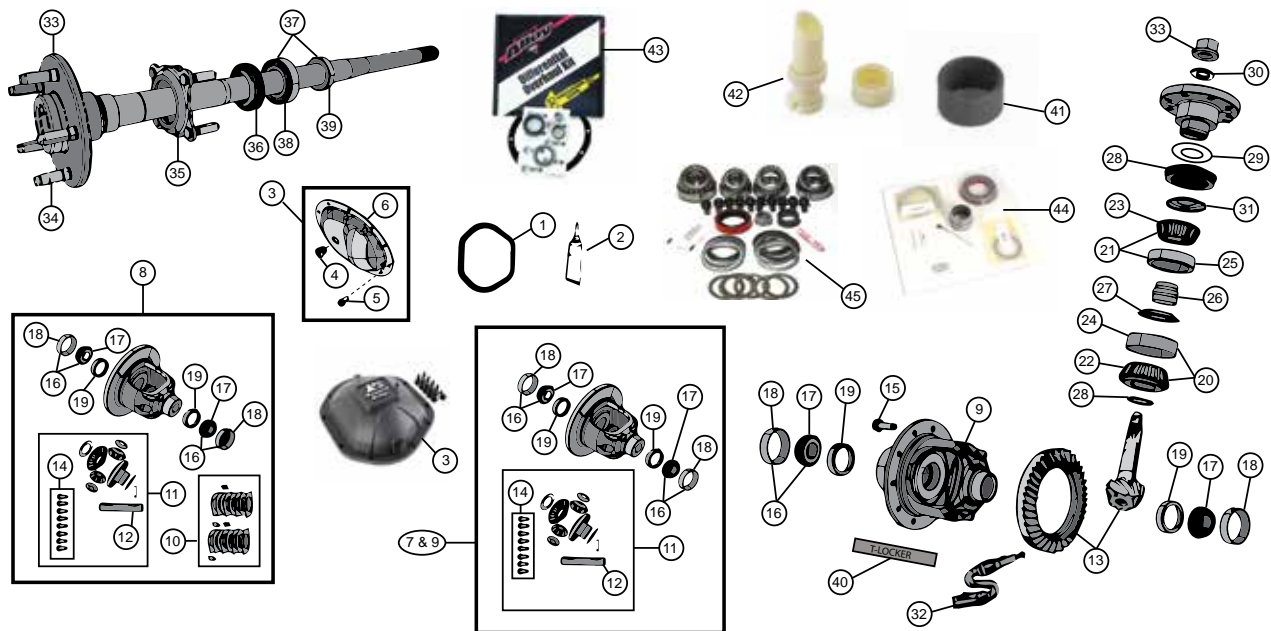
| Key | Description | Part # |
|-----|---|------------|
| 1A | Boulder Aluminum Differential Cover, Black UPGRADE | 16595.12 |
| 1B | Differential Cover Kit | 16595.83 |
| 1C | Differential Cover, Heavy Duty UPGRADE | 16595.44 |
| 2 | Cotter Pin | 16532.03 |
| 3A | Ball Joint, Upper | 18037.05 |
| 3B | Ball Joint, Lower | 18038.04 |
| 3C | Ball Joint Kit, 4-Piece UPGRADE | 11800 |
| 3D | Ball Joint Kit | 18036.05 |
| 4 | Bolt, Differential Cover | 16522.02 |
| 5 | RTV Silicone Gasket Maker, 3 Ounce Tube | 19201.01 |
| 6 | Fill Plug | 16595.95 |
| 7 | Differential Cover Gasket | 16502.02 |
| 8 | Differential Case Assembly, Tru-Lok, Rubicon Models | 16503.68 |
| 9 | Roll Pin, Differential Cross Shaft | 16507.63 |
| 10 | Differential Case Assembly, Standard, 1/2-inch | 16503.21 |
| 11 | Spider Gear Set, Standard Carrier | 16507.43 |
| 12 | Cross Shaft, Differential | 16507.62 |
| 13A | Ring & Pinion Set, Front, 4.10 Ratio UPGRADE | D44410RJJK |
| 13B | Ring & Pinion Set, Front, 4.56 Ratio UPGRADE | D44456RJJK |
| 13C | Ring & Pinion Set, Front, 4.88 Ratio UPGRADE | D44488RJJK |
| 13D | Ring & Pinion Set, Front, 5.13 Ratio UPGRADE | D44513RJJK |
| 13E | Ring & Pinion Set, Front, 5.38 Ratio UPGRADE | D44538RJJK |
| 14 | Ring Gear Bolt Kit, 1/2-inch | 16521.82 |
| 15 | Axle Locker Sensor, Tru-Lok | 16503.69 |
| 16 | Ring Gear Bolt, 3/8-Inch | 16522.01 |
| 17 | Thread Locker | LOC |
| 18 | Bearing & Race, Differential Side | 16509.22 |
| 19 | Bearing, Differential Side | 16706.02 |
| 20 | Bearing Race, Differential Side | 16509.21 |
| 21 | Shim Kit, Differential Carrier, Front | 16512.23 |
| 22 | Bearing Kit, Inner Pinion | 16515.02 |
| 23 | Bearing Kit, Outer Pinion | 16517.01 |
| 24 | Bearing, Inner Pinion | 16515.26 |
| 25 | Bearing, Outer Pinion | 16560.02 |

| Key | Description | Part # |
|-----|--|------------|
| 26 | Bearing Race, Inner Pinion | 16515.21 |
| 27 | Bearing Race, Outer Pinion | 16517.21 |
| 27 | Bearing Race, Outer Pinion, Rubicon models | 16560.01 |
| 28 | Pinion Shim Kit, 0.035 to 0.039 | 16519.02 |
| 28 | Pinion Shim Kit, 0.040 to 0.044 | 16519.03 |
| 28 | Pinion Shim Kit, 0.045 to 0.049 | 16519.04 |
| 28 | Pinion Shim Kit, 0.050 to 0.054 | 16519.05 |
| 29 | Pinion Baffle, Front | 16512.22 |
| 30 | Crush Spacer, Pinion | 16512.65 |
| 31 | Slinger, Outer Pinion | 16512.66 |
| 32 | Seal, Front Pinion | 16521.22 |
| 33 | Pinion Nut | 16584.01 |
| 34 | Axle Shaft, Outer, 08-16 Wrangler Rubicon | 10140 |
| 34 | Axle Shaft, Outer | 10141 |
| 35 | Axle Shaft, Inner, Left, 08-16 Wrangler Rubicon | 10138 |
| 35 | Axle Shaft, Inner, Right, 08-16 Wrangler Rubicon | 10139 |
| 36 | U-Joint, Front, 07-16 Wrangler Rubicon | 16525.08 |
| 36 | U-Joint, Front, OE Style, Rubicon models | 16525.07 |
| 36A | X-Joint, Rubicon models UPGRADE | 11502 |
| 37 | Seal And Guide, Axle Tube, Front | 16526.10 |
| 38 | Axle Shaft Guide, Front, Rubicon models | 16526.09 |
| 39 | Seal, Inner Axle, Right or Left, Front | 16534.15 |
| 40 | Axle Shaft Assembly, Front, Right | 16523.56 |
| 40 | Axle Shaft Assembly, , Front, Left | 16523.57 |
| 41 | Master Overhaul Kit, Rubicon models | 352051 |
| 42 | Ring Gear Bolt Sleeve, 1/2 to 7/16 Inch | 13380.18 |
| 43 | Spindle Nut Retainer | 16527.01 |
| 44 | Axle Breather | 16561.01 |
| 45 | Micro Differential Install Kit, Front | 152051 |
| 46 | Bearing Kit, Differential Side | 16509.10 |
| 47 | Steering Knuckle, Right | 18007.01 |
| 48 | Steering Knuckle, Left | 18007.02 |
| | Ring Gear Bolt, 7/16-Inch | 16521.80 |
| | Bolt, Differential Bearing Cap | 16584.11 |
| | Bushing, Axle Mounting | 18283.15 |
| | Mini Install Kit, Front | 252052 |
| | Pinion Oil Seal, Dana 35 and Dana 44 | 68003265AA |

** Pricing not available at time of printing. Check with your retailer for current price and availability.

DANA 44™ REAR DIFFERENTIAL

For 07-17 Jeep® Wrangler JK



| Key | Description | Part # |
|-----|---|----------|
| 1 | Differential Cover Gasket | 16502.02 |
| 2 | RTV Silicone Gasket Maker, 3 Ounce Tube | 19201.01 |
| 3 | Boulder Aluminum Differential Cover, Black UPGRADE | 16595.12 |
| 3 | Differential Cover Kit | 16595.83 |
| 4 | Fill Plug | 16595.95 |
| 5 | Bolt, Differential Cover | 16522.02 |
| 6 | Differential Cover, Heavy Duty UPGRADE | 16595.44 |
| 6 | Differential Cover | 16595.85 |
| 7 | Differential Carrier Assembly, Standard, 1/2-inch | 16503.21 |
| 8 | Differential Carrier Assembly, Trac-Loc | 16505.38 |
| 9 | Differential Carrier Assembly, Tru-Lok, Rubicon models | 16503.68 |
| 10 | Trac-Lok Disc and Plate Kit | 16508.22 |
| 11 | Spider Gear Set, Standard Carrier | 16507.43 |
| 12 | Cross Shaft | 16507.62 |
| 13 | Ring & Pinion, 4.10 Ratio UPGRADE | D44410JK |
| 13 | Ring & Pinion, 4.56 Ratio UPGRADE | D44456JK |
| 13 | Ring & Pinion, 5.88 Ratio UPGRADE | D44488JK |
| 13 | Ring & Pinion, 5.13 Ratio UPGRADE | D44513JK |
| 13 | Ring & Pinion, 5.38 Ratio UPGRADE | D44538JK |
| 14 | Ring Gear Bolt Kit, 1/2-inch | 16521.82 |
| 15 | Ring Gear Bolt, 7/16-Inch | 16521.80 |
| 15 | Ring Gear Bolt, 3/8-Inch | 16522.01 |
| 16 | Bearing Kit, Differential Side | 16509.22 |
| 17 | Bearing, Differential Side | 16706.02 |
| 18 | Bearing Race, Differential Side | 16509.21 |
| 19 | Shim Kit, Differential Side | 16511.02 |
| 19 | Shim Kit, Differential Bearing, Rubicon models | 16512.23 |
| 20 | Bearing Kit, Inner Pinion | 16515.02 |
| 21 | Bearing Kit, Outer Pinion | 16517.01 |
| 22 | Bearing, Inner Pinion | 16515.26 |
| 23 | Bearing, Outer Pinion, Rubicon models | 16517.20 |
| 23 | Bearing, Outer Pinion | 16517.30 |

| Key | Description | Part # |
|-----|--|----------|
| 24 | Bearing Race, Inner Pinion | 16515.21 |
| 25 | Bearing Race, Outer Pinion | 16517.21 |
| 25 | Bearing Race, Outer Pinion, Rubicon models | 16560.01 |
| 26 | Spacer, Pinion | 16512.67 |
| 27 | Pinion Shim Kit, 0.035 to 0.039 | 16519.02 |
| 27 | Pinion Shim Kit, 0.040 to 0.044 | 16519.03 |
| 27 | Pinion Shim Kit, 0.045 to 0.049 | 16519.04 |
| 27 | Pinion Shim Kit, 0.050 to 0.054 | 16519.05 |
| 28 | Seal, Flanged Pinion | 16521.12 |
| 29 | Pinion Slinger | 16584.08 |
| 30 | Washer, Pinion Nut | 16584.14 |
| 31 | Pinion Nut | 16584.01 |
| 32 | Axle Locker Sensor, Tru-Lok | 16503.69 |
| 33 | Rear Axle Shaft, R/L | 21204C |
| 33 | Axle Shaft, Rear Left, Rubicon models | 21205C |
| 33 | Axle Shaft, Rear Right, Rubicon models | 21206C |
| 34 | Wheel Stud, Rear Axle Shaft | 1301 |
| 35 | Retainer, Axle Shaft Seal | 16535.40 |
| 36 | Seal, Rear Axle Shaft | 16534.14 |
| 37 | Bearing & Retainer Ring Kit, Axle Shaft | 16536.05 |
| 38 | Bearing, Rear Axle Shaft | 16560.37 |
| 39 | Retainer Ring, Axle Shaft Bearing | 16560.38 |
| 40 | Thread Locker | LOC |
| 41 | Ring Gear Bolt Sleeve, 1/2 to 7/16 Inch | 13380.18 |
| 42 | Axle Breather | 16561.01 |
| 43 | Mini Install Kit | 252053 |
| 44 | Micro Install Kit | 152053 |
| 45 | Master Overhaul Kit, Tru-Lok, Rubicon models | 352052 |
| 45 | Master Overhaul Kit | 352053 |
| | Ring & Pinion, 4.10 Ratio, Tru-Lok | 16513.50 |
| | Ring & Pinion, 4.10 Ratio | 16513.52 |
| | Ring & Pinion, 3.73 Ratio | 16514.58 |
| | Ring & Pinion, 3.21 Ratio | 16514.59 |
| | Differential Cover Drain Plug | 16595.96 |

MINIMUM 5 YEAR WARRANTY

REPLACEMENT & REPAIR PARTS

Direct OE replacement Jeep® parts and accessories built to the original specifications by Omix-ADA®. Limited 5 year manufacturer's warranty.

| Body | Part # |
|---|----------|
| Beam, Front Bumper, 07-17 Wrangler | 12033.08 |
| Bumper Appliqué, Front, Silver, 07-17 Wrangler | 12040.08 |
| Bumper Appliqué, Rear, Silver, 07-17 Wrangler | 12040.09 |
| Bumper Cover, Front, 07-17 Wrangler | 12040.05 |
| Bumper Cover, Front, W/O Lamps & Hooks, 07-17 Wrangler | 12040.07 |
| Bumper Cover, Front, W/O Tow Hooks, 07-17 Wrangler | 12040.06 |
| Cap, Washer Fluid, Black, 07-11 Wrangler, 3.8L | 11431.05 |
| Clip, T-style Fender Flare/Rocker Molding, 07-17 Wrangler | 11609.28 |
| Door Mirror Kit, Black, 07-17 Wrangler | 11002.21 |
| Door Mirror Kit, With LED Turn Signal, 07-17 Wrangler | 11002.22 |
| Door Mirror, Black, Left/Driver Side, 07-17 Wrangler | 11002.13 |
| Door Mirror, Black, Right/Passenger Side, 07-17 Wrangler | 11002.12 |
| Fender Closure, Front, Left, Inner, 07-17 Wrangler | 12040.13 |
| Fender Closure, Front, Right, Inner, 07-17 Wrangler | 12040.14 |
| Fender Flare Blind Rivet, 0717 Wrangler | 11609.27 |
| Fender Flare Hardware Kit, 07-17 Wrangler | 11609.25 |
| Fender Flare Kit, 4 Piece With Hardware, 07-17 Wrangler | 11609.01 |
| Fender Flare Kit, 4 Piece With Hardware, 07-17 Wrangler | 11609.30 |
| Fender Flare Support Bracket, Left, 07-17 Wrangler | 12029.37 |
| Fender Flare Support Bracket, Right, 07-17 Wrangler | 12029.36 |
| Fender Flare, Front, Left, 07-17 Wrangler | 11609.11 |
| Fender Flare, Front, Right Side, 07-17 Wrangler | 11609.10 |
| Fender Flare, Left Front, 07-17 Wrangler | 11609.21 |
| Fender Flare, Left Rear, 07-17 Wrangler | 11609.23 |
| Fender Flare, Rear, Left, 07-17 Wrangler | 11609.13 |
| Fender Flare, Rear, Right, 07-17 Wrangler | 11609.12 |
| Fender Flare, Right Front, 07-17 Wrangler | 11609.22 |
| Fender Flare, Right Rear, 07-17 Wrangler | 11609.24 |
| Fender Splash Shield, Front, Left, 07-17 Wrangler | 12040.11 |
| Fender Splash Shield, Front, Right, 07-17 Wrangler | 12040.12 |
| Fender Splash Shield, Rear, Left, 07-17 Wrangler | 12040.16 |
| Fender Splash Shield, Rear, Right, 07-17 Wrangler | 12040.17 |
| Fender, Front, Left, 07-17 Wrangler | 12040.03 |
| Fender, Front, Right, 07-17 Wrangler | 12040.02 |
| Flat Flare and Fender Liner Kit, 07-17 Wrangler | 11620.11 |
| Frame Cover, Bumper, Front, 07-17 Wrangler | 12040.19 |
| Grille Insert, Billet Polished Aluminum, 07-17 Wrangler | 11401.20 |
| Grille Insert, Billet, Black, 07-17 Wrangler | 11401.30 |
| Grille Insert, Black, 07-17 Wrangler | 11401.32 |
| Grille Insert, Chrome, 07-17 Wrangler | 11401.21 |
| Grille Insert, Mesh, Black, 07-17 Wrangler | 11401.31 |
| Grille Insert, Satin Stainless Steel, 07-17 Wrangler | 11401.22 |
| Grille Inserts, Black, 07-17 Wrangler | 11306.30 |
| Grille Inserts, Chrome, 07-17 Wrangler | 11306.20 |
| Grille Overlay, Chrome, 07-17 Wrangler | 12033.05 |
| Handle, Door/Tailgate, Outer, 07-17 Wrangler | 12040.15 |
| Hood Catch and Bracket, 07-17 Wrangler | 11210.14 |
| Hood Catch Bracket, 07-17 Wrangler | 11210.12 |
| Hood Catch Kit, 07-17 Wrangler | 11210.16 |
| Hood Catch, 07-17 Wrangler | 11210.13 |
| Hood Hinge Kit, Stainless, 07-17 Wrangler | 11111.22 |
| Hood Kit, Performance Vented, 07-17 Wrangler | 17759.02 |
| Hood Lift Shock, 07-17 Wrangler | 11252.81 |
| Hood Lock Kit, 07-17 Wrangler | 11252.05 |
| Hood, 07-17 Wrangler | 12040.01 |
| Inner Fender Liner Kit, 07-17 Wrangler | 11620.50 |
| License Plate Bracket, 07-17 Wrangler | 11233.07 |
| Liftgate Ball Stud, Left, 07-17 Wrangler | 12012.31 |
| Liftgate Ball Stud, Right, 07-17 Wrangler | 12012.30 |



12040.08



11609.01



12040.11



12040.03



12040.15



Omix-ADA



11210.16

** Pricing not available at time of printing. Check with your retailer for current price and availability.

REPLACEMENT & REPAIR PARTS

Direct OE replacement Jeep® parts and accessories built to the original specifications by Omix-ADA®. Limited 5 year manufacturer's warranty.

| Body cont'd | Part # |
|---|----------|
| Liftgate Support, 07-10 Wrangler | 12012.17 |
| Liftgate Support, 11-17 Wrangler | 12012.32 |
| Lock Cylinder, Door and Tailgate, 07-17 Wrangler | 11813.05 |
| Mirror, Power Heated, Left, Black, 11-13 Wrangler | 11002.25 |
| Mirror, Power Heated, Left, Black, 2014 Wrangler | 11002.26 |
| Mirror, Power Heated, Right, Black, 11-13 Wrangler | 11002.24 |
| Mirror, Power Heated, Right, Black, 2014 Wrangler | 11002.27 |
| Push Retainer, Fender Flare, Plastic, 07-17 Wrangler | 11609.26 |
| Push Rivet, Fender Flare Extension, 07-17 Wrangler | 11602.09 |
| Radiator & Grille Support, 07-17 Wrangler | 12040.10 |
| Seal, Door Glass Channel, Front, Left/Driver Side, 07-17 Wrangler | 12303.26 |
| Seal, Door Glass Channel, Front, Right/Passenger Side, 07-17 Wrangler | 12303.25 |
| Seal, Front Full Door, Left/Driver Side, 07-17 Wrangler | 12303.22 |
| Seal, Front Full Door, Right/Passenger Side, 07-17 Wrangler | 12303.21 |
| Seal, Front Half Door, Left/Driver Side, 07-17 Wrangler | 12303.24 |
| Seal, Front Half Door, Right/Passenger Side, 07-17 Wrangler | 12303.23 |
| Seal, Inner Glass, Front, Right or Left, 07-17 Wrangler | 12303.27 |
| Seal, Inner Glass, Rear, Left Side, 07-17 Wrangler | 12303.38 |
| Seal, Inner Glass, Rear, Right Side, 07-17 Wrangler | 12303.37 |
| Seal, Outer Glass, Front, Left/Driver Side, 07-17 Wrangler | 12303.29 |
| Seal, Outer Glass, Front, Right/Passenger Side, 07-17 Wrangler | 12303.28 |
| Seal, Outer Glass, Rear, Left Side, 07-17 Wrangler | 12303.36 |
| Seal, Outer Glass, Rear, Right Side, 07-17 Wrangler | 12303.35 |
| Seal, Rear, Full Door, Left Side, 07-17 Wrangler | 12303.32 |
| Seal, Rear, Full Door, Right Side, 07-17 Wrangler | 12303.31 |
| Seal, Rear, Half Door, Left Side, 07-17 Wrangler | 12303.34 |
| Seal, Rear, Half Door, Right Side, 07-17 Wrangler | 12303.33 |
| Tailgate Door, 07-17 Wrangler | 12040.18 |
| Tailgate Stop, Billet Aluminum, 07-17 Wrangler | 11238.11 |
| Winch Plate, Stamped Bumper, 13-17 Wrangler | 11543.15 |
| Window Regulator, Manual, Front, Left/Driver Side, 07-17 Wrangler | 11821.27 |
| Window Regulator, Manual, Front, Right/Passenger Side, 07-17 Wrangler | 11821.26 |
| Window Regulator, Manual, Rear, Left Side, 07-17 Wrangler | 11821.29 |
| Window Regulator, Manual, Rear, Right Side, 07-17 Wrangler | 11821.28 |
| Window Regulator, Power, Front, Left, 07-17 Wrangler | 11821.21 |
| Window Regulator, Power, Front, Right, 07-17 Wrangler | 11821.20 |
| Window Regulator, Power, Rear, Left, 07-17 Wrangler Unlimited | 11821.23 |
| Window Regulator, Power, Rear, Right, 07-17 Wrangler Unlimited | 11821.22 |
| Windshield Channel, Steel, 07-17 Wrangler | 13308.06 |
| Windshield Hinges, Black, 07-17 Wrangler | 11209.03 |
| Windshield Tie Down Kit, Black, 07-12 Wrangler | 11201.05 |
| Windshield Tie Down Kit, Black, 13-17 Wrangler | 11201.06 |
| Windshield Washer Pump, With Rear Wipers, 07-17 Wrangler Unlimited | 19108.10 |
| Windshield Washer Pump, Without Rear Wipers, 07-17 Wrangler Unlimited | 19108.09 |
| Windshield Wiper Blade, 15 Inch, 07-17 Wrangler | 19712.08 |
| Liftgate Hinge Cover, L/R; 07-17 Wrangler | 11218.05 |
| Tailgate Hinge Cover, Inner, Upper; 07-17 Wrangler | 11218.06 |
| Tailgate Hinge Cover, Inner, Lower; 07-17 Wrangler | 11218.07 |
| Tailgate Hinge Cover, Upper Body; 07-17 Wrangler | 11218.08 |
| Tailgate Hinge Cover, Lower Body; 07-17 Wrangler | 11218.09 |
| License Plate Bracket Delete; 07-17 Wrangler | 11233.08 |
| Targa Top Mounting Knob; 07-17 Jeep Wrangler | 11251.11 |
| Spare Tire Carrier Bump Stop; 07-17 Wrangler | 11503.93 |
| 4-Pc Fender Flare Kit 07-17 Wrangler | 11609.20 |
| Latch, Rear Door, Manual Lock, Right; 07-17 Wrangler *SURPLUS | 11810.06 |
| Latch, Rear Door, Manual Lock, Left; 07-17 Wrangler *SURPLUS | 11810.07 |
| Latch, Front Door, Manual Lock, Right; 07-17 Wrangler *SURPLUS | 11810.08 |
| Latch, Front Door, Manual Lock, Left; 07-17 Wrangler *SURPLUS | 11810.09 |
| Striker Plate; 97-17 Wrangler *SURPLUS | 11811.03 |



Omix-ADA®



12040.18



19712.08

** Pricing not available at time of printing. Check with your retailer for current price and availability.

MINIMUM 5 YEAR WARRANTY

REPLACEMENT & REPAIR PARTS

Direct OE replacement Jeep® parts and accessories built to the original specifications by Omix-ADA®. Limited 5 year manufacturer's warranty.

| Body cont'd | Part # |
|---|--------------|
| Rod Clip, Door Lock RH 94-17 Wrangler | 11811.15 |
| Push Pin Clip, Front and Rr Dr Panel; 11-17 Wrangler | 11811.33 |
| Tapping Screw M6-1.0x25mm; 99-07 Jeep Models | 11811.95 |
| Cable, Inside Handle to Latch, Rear, RH; 07-10 Wrangler *SURPLUS | 11812.75 |
| Cable, Inside Handle to Latch, Rear, LH; 07-10 Wrangler *SURPLUS | 11812.76 |
| Link, Door Outside Handle to Latch, RH; 07-17 Wrangler *SURPLUS | 11812.81 |
| Link, Door Outside Handle to Latch, LH; 07-17 Wrangler *SURPLUS | 11812.82 |
| Link, Door Lock Cylinder to Latch, Right; 07-17 Wrangler *SURPLUS | 11812.83 |
| Link, Door Lock Cylinder to Latch, Left; 07-17 Wrangler *SURPLUS | 11812.84 |
| Link, Door Outside Handle to Latch, RH; 07-17 Wrangler *SURPLUS | 11812.85 |
| Link, Door Outside Handle to Latch, LH; 07-17 Wrangler *SURPLUS | 11812.86 |
| Cable, Inside Handle to Latch, Frt, LH; 07-10 Wrangler | 11812.90 |
| Cable, Inside Lock to Latch, Frt, Right; 07-10 Wrangler | 11812.91 |
| Presenter, Latch, Rear Door, Right; 07-17 Wrangler *SURPLUS | 11812.93 |
| Presenter, Latch, Rear Door, Left; 07-17 Wrangler *SURPLUS | 11812.94 |
| Cable, Inside Lock to Latch, Rear, Right; 07-10 Wrangler *SURPLUS | 11812.95 |
| Cable, Inside Lock to Latch, Rear, Left; 07-10 Wrangler *SURPLUS | 11812.96 |
| Plug, Door Shell; 99-17 Wrangler *SURPLUS | 12029.43 |
| Bumper, Hood to Fender; 07-17 Wrangler | 12031.20 |
| Plug, Floor Pan; 07-13 Wrangler | 12033.09 |
| Plug, Floor Pan; 14-17 Wrangler | 12033.10 |
| Push Pin Fastener, Grille; 07-17 Wrangler | 12218.01 |
| 12mm Push Pin Bumper to Front Fascia; 07-17 Wrangler | 12218.02 |
| Window Glass, Front RH; 07-17 Wrangler *SURPLUS | 12299.01 |
| Window Glass, Front LH; 07-17 Wrangler *SURPLUS | 12299.02 |
| Window Glass, Rear RH; 07-17 Wrangler *SURPLUS | 12299.03 |
| Window Glass, Rear LH; 07-17 Wrangler *SURPLUS | 12299.04 |
| Seal, Hood to Grille; 07-17 Jeep Wrangler | 12302.12 |
| Lift Glass Seal, Body to Glass; 11-17 Wrangler | 12304.13 |
| Rear Liftgate Seal; 07-10 Wrangler | 12304.20 |
| Rear Liftgate Seal; 11-17 Wrangler | 12304.21 |
| Seal, Liftgate Glass to Hardtop; 07-10 Wrangler | 12304.26 |
| Hardtop Bolt M8x1.25; 97-17 Wrangler | 12304.29 |
| Hardtop Nut with Clip; 07-17 Wrangler | 12304.31 |
| Hardtop Bolt and Nut Kit, Set of 6; 07-17 Wrangler | 12304.34 |
| Headlight Retaining Ring; 07-17 Wrangler | 12420.04 |
| Knob, Door Surround, Long; 07-17 Wrangler | 13516.61 |
| Soft Top Rubber Bumper; 07-17 Wrangler | 13516.62 |
| Push Retainer; 07-17 Wrangler *SURPLUS | 13697.01 |
| Windshield Reservoir Cap; 07-17 Wrangler | 19107.14 |
| Cap, Rear Wiper Arm; 07-17 Wrangler | 19710.15 |
| Mopar Right Rear Retainer Bracket, 07-17 Wrangler | 55395760AE |
| Mopar Left Rear Retainer Bracket 07-17 Wrangler | 55395761AE |
| Mopar Windshield Header Channel Kit, 07-17 Wrangler | 68049276AB |
| Full Door, Front Right; 07-10 Wrangler *SURPLUS | S-68002358AC |
| Full Door, Front Left; 07-10 Wrangler *SURPLUS | S-68002359AC |
| Full Door, Rear Right; 07-10 Wrangler Unlimited *SURPLUS | S-68002360AC |
| Full Door, Rear Left; 07-10 Wrangler Unlimited *SURPLUS | S-68002361AC |
| License Plate Bracket Lens; 07-17 Wrangler | 11233.09 |
| Side Bow Lock; 07-17 Wrangler | 11251.10 |
| Hood Bump Stop; 07-17 Wrangler | 12033.11 |
| Screw, Trim; 97-17 Wrangler *SURPLUS | S-6101455 |
| Knob, Door Surround, Mid; 07-17 Wrangler | 13516.60 |
| Mopar Tailgate Bar, 07-17 Wrangler | 55395757AE |
| Mirror Flag Appliqué, Left; 07-17 Wrangler JK/JKU | 11812.26 |
| Door Panel, Carrier Plate, Frt RH, Man.; 07-10 Wrangler | 11812.71 |
| Door Panel, Carrier Plate, Frt LH, Man.; 07-10 Wrangler | 11812.72 |
| Door Panel, Carrier Plate, Rear RH, Man.; 07-10 Wrangler | 11812.73 |
| Door Panel, Carrier Plate, Rear LH, Man.; 07-10 Wrangler | 11812.74 |



12299.02



19107.14



Omix-ADA®



13516.61



11812.71

** Pricing not available at time of printing. Check with your retailer for current price and availability.

REPLACEMENT & REPAIR PARTS

Direct OE replacement Jeep® parts and accessories built to the original specifications by Omix-ADA®. Limited 5 year manufacturer's warranty.

| Body cont'd | Part # |
|----------------------------------|----------|
| Side Bow Lock; 07-17 Wrangler JK | 11251.10 |
| Hood Bump Stop; 07-17 Wrangler | 12033.11 |

| Brakes | Part # |
|--|----------|
| ABS Speed Sensor, Front, 07-17 Wrangler | 17259.06 |
| ABS Speed Sensor, Rear, 07-17 Wrangler | 17259.07 |
| Bracket, Brake Caliper, 07-17 Wrangler | 16749.13 |
| Brake Caliper, HD Anti-Lock Brakes, Front, L, 07-17 Wrangler | 16745.13 |
| Brake Caliper, HD Anti-Lock Brakes, Front, R, 07-17 Wrangler | 16745.12 |
| Brake Caliper, Left, Front, 07-17 Wrangler | 16745.15 |
| Brake Caliper, Left, Rear, 07-17 Wrangler | 16757.08 |
| Brake Caliper, Right, Front, 07-17 Wrangler | 16745.14 |
| Brake Caliper, Right, Rear, 07-17 Wrangler | 16757.07 |
| Brake Hose Kit, Braided Stainless Steel, 07-17 Wrangler | 16734.10 |
| Brake Hose, Left, Front, 07-17 Wrangler | 16732.29 |
| Brake Hose, Left, Rear, 07-17 Wrangler | 16733.15 |
| Brake Hose, Right, Front, 07-17 Wrangler | 16732.30 |
| Brake Hose, Right, Rear, 07-17 Wrangler | 16733.14 |
| Brake Light Switch, 07-17 Wrangler | 17238.04 |
| Brake Master Cylinder Cap, Billet, 07-17 Wrangler | 11430.02 |
| Brake Master Cylinder Cap, Black, 07-17 Wrangler | 11431.02 |
| Brake Master Cylinder, 07-16 Wrangler | 16719.25 |
| Brake Master Cylinder, HD Anti-Lock Brakes, 07-17 Wrangler | 16719.31 |
| Brake Pad Set, Front, 07-17 Wrangler | 16728.15 |
| Brake Pad Set, Rear, 07-17 Wrangler | 16729.11 |
| Brake Rotor Set, Front, Drilled & Slotted, 07-17 Wrangler | 11353 |
| Brake Rotor Set, Rear, Drilled & Slotted, 07-17 Wrangler | 11354 |
| Brake Rotor, Front, 07-17 Wrangler | 16702.12 |
| Brake Rotor, Front, HD Anti-Lock BR6 Brakes, 08-17 Wrangler | 16702.15 |
| Brake Rotor, Rear, 07-17 Wrangler | 16703.05 |
| Brake Shoes, Parking Brake, 07-17 Wrangler | 16731.08 |
| Hub & Bearing Assembly, Front, 07-17 Wrangler | 16705.14 |
| Parking Brake Cable, Rear, 2-Door, 07-17 Wrangler | 16730.54 |
| Parking Brake Cable, Rear, 4-Door, 07-17 Wrangler Unlimited | 16730.55 |
| Pedal Pad, Brake, Automatic Transmission, 07-17 Wrangler | 16753.04 |
| Pedal Pad, Brake, Manual Transmission, 07-17 Wrangler | 16753.03 |
| Pin Boot, Brake Caliper, 07-17 Wrangler | 16749.12 |
| Pin Set, Brake Caliper, Front, 07-17 Wrangler | 16749.10 |
| Pin Set, Rear Brake Caliper, 07-17 Wrangler | 16749.11 |
| Relocation Bracket, Parking Brake, 07-17 Wrangler | 18303.60 |
| Spring Kit, Brake Pad, 07-17 Wrangler | 16746.05 |
| Wheel Stud, 1/2x20 Thread, 07-17 Wrangler | 99STUD3 |
| Caliper Piston Repair Kit, Front; 07-17 Wrangler | 16747.06 |
| Caliper Piston Repair Kit, Rear; 07-17 Wrangler | 16747.07 |
| Brake Bleeder; 05-17 Wrangler | 16749.14 |

| Cooling | Part # |
|--|----------|
| Belt Tensioner, 07-11 Wrangler (3.8L) | 17112.16 |
| Belt Tensioner, 07-17 Wrangler (2.8L Diesel) | 17112.18 |
| Belt Tensioner, 12-17 Wrangler (3.6L) | 17112.17 |
| Coolant Overflow Bottle, 07-11 Wrangler (3.8L) | 17103.06 |
| Coolant Temperature Sensor, 07 Wrangler (3.8L) | 17218.09 |
| Coolant Temperature Sensor, 08-17 Wrangler | 17218.10 |
| Fan Assembly, Auto Transmission, 07-11 Wrangler (3.8L) | 17102.57 |
| Fan Assembly, Manual Transmission, 07-11 Wrangler (3.8L) | 17102.06 |
| Pulley, Idler, 07-11 Wrangler (3.8L/2.8L Diesel) | 17112.07 |



** Pricing not available at time of printing. Check with your retailer for current price and availability.

MINIMUM 5 YEAR WARRANTY

REPLACEMENT & REPAIR PARTS

Direct OE replacement Jeep® parts and accessories built to the original specifications by Omix-ADA®. Limited 5 year manufacturer's warranty.

Cooling cont'd

| | Part # |
|--|----------|
| Pulley, Tensioner, 07-17 Wrangler (2.8L Diesel) | 17112.19 |
| Radiator Cap, 20 PSI, 07-17 Wrangler | 17108.06 |
| Radiator Hose, Lower, 07-11 Wrangler (3.8L) | 17114.25 |
| Radiator Hose, Lower, 12-17 Wrangler (3.6L) | 17114.30 |
| Radiator Hose, Upper, 07-11 Wrangler (3.8L) | 17113.27 |
| Radiator Hose, Upper, 12-17 Wrangler (3.6L) | 17113.06 |
| Radiator, 1 Core, 07-17 Wrangler (3.6L/3.8L/2.8L Diesel) | 17101.38 |
| Serpentine Belt, 07-11 Wrangler (3.8L without AC) | 17111.39 |
| Serpentine Belt, 07-11 Wrangler (3.8L) | 17111.38 |
| Serpentine Belt, 12-17 Wrangler (3.6L) | 17111.51 |
| Switch, Oil Pressure, 07-11 Wrangler (3.8L) | 17219.17 |
| Thermostat Seal, 07-11 Wrangler (3.8L) | 17117.34 |
| Thermostat, 195 Degrees, 07-11 Wrangler | 17106.06 |
| Water Pump Gasket, 07-11 Wrangler (3.8L) | 17119.04 |
| Water Pump, 07-11 Wrangler (3.8L) | 17104.22 |
| Water Pump, 12-17 Wrangler (3.6L) | 17104.24 |

Electrical

| | Part # |
|--|----------|
| Alternator, 140 Amp, 07-11 Wrangler (3.8L) | 17225.20 |
| Alternator, 160 Amp, 07-11 Wrangler (3.8L) | 17225.18 |
| Ignition Coil, 07-11 Wrangler (3.8L) | 17247.15 |
| Ignition Coil, 12-17 Wrangler (3.6L) | 17247.17 |
| Ignition Switch, 07-17 Wrangler | 17251.09 |
| Ignition Wire Set, 07-11 Wrangler (3.8L) | 17245.18 |
| Multi-function Switch, W/ Fog Lights, 07-17 Wrangler | 17234.25 |
| Multi-Function Switch, W/O Fog Lights, 07-10 Wrangler | 17234.26 |
| Sensor, ABS Speed, Front, 07-17 Wrangler | 17259.06 |
| Sensor, ABS Speed, Rear, 07-17 Wrangler | 17259.07 |
| Sensor, Camshaft Position, 07-07 Wrangler (3.8L) | 17257.05 |
| Sensor, Coolant Temperature, 2007 Wrangler | 17218.09 |
| Sensor, Coolant Temperature, 08-17 Wrangler | 17218.10 |
| Sensor, Crankshaft Position, Auto Trans, 07-11 Wrangler (3.8L) | 17220.16 |
| Sensor, Crankshaft Position, Manual Trans, 07-11 Wrangler (3.8L) | 17220.04 |
| Sensor, Intake Temperature, 07-11 Wrangler | 17221.04 |
| Sensor, Knock/Detonation, 07-11 Wrangler | 17223.52 |
| Sensor, MAP, 07-11 Wrangler | 17223.04 |
| Sensor, Oil Pressure, 07-11 Wrangler | 17219.17 |
| Sensor, Oxygen, After Cat., Left or Right, 07-17 Wrangler | 17222.28 |
| Sensor, Oxygen, Before Cat., Left, 07-11 Wrangler | 17222.41 |
| Sensor, Oxygen, Before Cat., Right, 07-11 Wrangler | 17222.40 |
| Sensor, TPMS, 315Mhz, 07-12 Wrangler | 17237.13 |
| Sensor, TPMS, 433Mhz, 13-17 Wrangler | 17237.20 |
| Sensor, Transmission Input Speed, 07-11 Wrangler | 18676.66 |
| Sensor, Vehicle Speed, 07-11 Wrangler | 17259.08 |
| Service Kit, TPMS, 07-17 Wrangler | 17237.11 |
| Spark Plug, 07-11 Wrangler (3.8L) | 17248.11 |
| Spark Plug, 12-17 Wrangler (3.6L) | 17248.09 |
| Starter, Automatic Transmission, 07-08 Wrangler (3.8L) | 17227.18 |
| Starter, Automatic Transmission, 09-11 Wrangler (3.8L) | 17227.19 |
| Starter, Manual Transmission, 07-11 Wrangler (3.8L) | 17227.18 |
| Switch, Backup, Manual Transmission, 07-11 Wrangler (NSG370) | 17234.27 |
| Switch, Door Ajar, 2007 Wrangler | 17237.21 |
| Switch, Ignition, 07-17 Wrangler | 17251.09 |
| Switch, Neutral Safety, Automatic Transmission, 07-11 Wrangler | 17261.01 |
| Switch, Oil Pressure, 07-11 Wrangler (3.8L) | 17219.17 |
| Switch, Stop Lamp, 07-17 Wrangler | 17238.04 |
| 5-Terminals Relay, 05-17 Wrangler | 17237.22 |

17104.22



17225.18



17247.15



17234.25



17222.41



17259.08



Omix-ADA®

17227.19



** Pricing not available at time of printing. Check with your retailer for current price and availability.

REPLACEMENT & REPAIR PARTS

Direct OE replacement Jeep® parts and accessories built to the original specifications by Omix-ADA®. Limited 5 year manufacturer's warranty.

| Engine | Part # |
|---|-----------|
| Bearing Set, Main, Standard, 07-11 Wrangler (3.8L) | 17465.95 |
| Bearing, Crankshaft Pilot, 07-17 Wrangler | 16910.08 |
| Bolt, Upper Engine Oil Pan Mounting, 07-17 JK *SURPLUS | S-6501979 |
| Cap, Oil Filler, 07-11 Wrangler (3.8L) | 17403.09 |
| Cap, Oil Filler, 12-17 Wrangler (3.6L) | 17403.04 |
| Cap, Oil Filler, Black Aluminum, 07-11 Wrangler | 11431.04 |
| Dowel Pin, 12-17 Wrangler (3.6L) *SURPLUS | S-10099 |
| Drain Plug, Oil Pan, 07-17 Wrangler | 17438.05 |
| Engine Mount, 07-11 Wrangler (3.8L) | 17473.26 |
| Engine Mount, Rear, 07-11 Wrangler (3.8L) | 19005.20 |
| Filter Kit, Oil, 12-17 Wrangler (3.6L) | 17436.20 |
| Filter, Oil, 07-11 Wrangler (3.8L) | 17436.09 |
| Filter, Oil, 07-17 Wrangler (2.8L Diesel) | 17436.22 |
| Filter, Oil, 12-17 Wrangler (3.6L) | 17436.24 |
| Gasket Set, Lower Engine, 07-11 Wrangler (3.8L) | 17442.11 |
| Gasket Set, Upper Engine, 07-11 Wrangler (3.8L) | 17441.13 |
| Gasket Set, Valve Cover, 07-11 Wrangler (3.8L) | 17447.15 |
| Gasket, Cylinder Head, Left, 07-11 Wrangler (3.8L) | 17466.13 |
| Gasket, Cylinder Head, Right, 07-11 Wrangler (3.8L) | 17466.12 |
| Gasket, Intake Manifold, 07-11 Wrangler (3.8L) | 17445.07 |
| Gasket, Oil Pan, 07-11 Wrangler (3.8L) | 17439.15 |
| Gasket, Throttle Body, 07-11 Wrangler (3.8L) | 17445.14 |
| Gasket, Throttle Body, 12-17 Wrangler (3.6L) | 17445.17 |
| Gasket, Timing Cover, 07-11 Wrangler (3.8L) | 17449.13 |
| Gasket, Water Pump, 07-11 Wrangler (3.8L) | 17119.04 |
| Handle, Oil Dipstick, Black, 07-11 Wrangler (3.8L) | 11431.07 |
| Harmonic Balancer, 07-11 Wrangler (3.8L) | 17461.04 |
| Lifter, Hydraulic, 07-11 Jeep Wrangle JK (3.8L) | 17418.04 |
| Nut, Upper Oil Pan to Timing Case Cover, 07-11 JK (3.8L) *SURPLUS | S-6101694 |
| Oil Pan, Lower, 07-11 Wrangler (3.8L) | 17437.03 |
| Oil Pan, Lower, 12-17 Wrangler (3.6L) | 17437.04 |
| Piston Ring Set, Standard, 07-11 Wrangler (3.8L) | 17430.56 |
| Push Rod, 07-11 Wrangler (3.8L) | 17410.05 |
| Seal, Crankshaft, 07-11 Wrangler (3.8L) | 17449.15 |
| Seal, Rear, Crankshaft, 07-11 Wrangler (3.8L) | 17458.15 |
| Seal, Valve Stem, 07-11 Wrangler (3.8L) | 17443.07 |
| Sprocket, Camshaft, 07-11 Wrangler (3.8L) | 17454.19 |
| Sprocket, Crankshaft, 07-11 Wrangler (3.8L) | 17455.15 |
| Tensioner, Timing Belt, 07-17 JK (2.8L Diesel) | 17453.38 |
| Timing Chain, 07-11 Wrangler (3.8L) | 17453.37 |
| Timing Kit, 07-11 Wrangler (3.8L) | 17453.19 |
| Valve, Exhaust, 07-11 Wrangler (3.8L) | 17415.15 |
| Valve, Intake, 07-11 Wrangler (3.8L) | 17417.16 |
| Pulley, Idler; 07-17 Wrangler, 2.8L Diesel | 17112.20 |
| Boot, Ignition Coil; 11-17 Wrangler | 17247.21 |
| Oil Pan Gasket Set; 11-17 Wrangler, 3.6L | 17439.20 |
| Valve Stem Seal Set; 11-17 Wrangler, 3.6L | 17443.11 |
| Fuel & Intake Manifold Seal Set; 11-17 Wrangler, 3.6L | 17445.19 |
| Intake Manifold Gasket; 11-17 Wrangler, 3.6L | 17445.20 |
| Intake Manifold Gasket Set; 11-17 Wrangler, 3.6L | 17445.21 |
| Valve Cover Gasket Set; 11-17 Wrangler, 3.6L | 17447.26 |
| Seal, Vapor Canister; 07-17 Wrangler | 17713.13 |
| Duct, Air Inlet; 08-17 Wrangler *SURPLUS | 17907.06 |
| Spark Plug, 07-11 Wrangler | RE14PLP5 |
| Idler Pulley; 05-17 Wrangler | 17112.11 |
| Oil Cap, 72-17 Wrangler | 17403.03 |

| Exhaust | Part # |
|---|----------|
| Catalytic Converter; 07-09 Jeep Wrangler JK/JKU | 17604.19 |
| Stud, Weld, M6x1x25; 07-17 Wrangler *SURPLUS | 17650.03 |



* Surplus items available only while supplies last

** Pricing not available at time of printing. Check with your retailer for current price and availability.

MINIMUM 5 YEAR WARRANTY

REPLACEMENT & REPAIR PARTS

Direct OE replacement Jeep® parts and accessories built to the original specifications by Omix-ADA®. Limited 5 year manufacturer's warranty.

Exhaust cont'd

| | Part # |
|--|------------|
| Exhaust Clamp, 2.75-inch, OE Style, 07-17 Wrangler | 17620.14 |
| Exhaust Spacer Kit, 12-17 Wrangler | 17606.76 |
| Gasket Set, Exhaust Manifold, 07-11 Wrangler (3.8L) | 17451.16 |
| Intermediate Exhaust Pipe, 07-11 Wrangler, 2-Door (3.8L) | 17609.31 |
| Intermediate Pipe, 07-11 Wrangler Unlimited, 4-Door(3.8L) | 17608.05 |
| Muffler, 07-11 Wrangler (3.8L) | 17609.30 |
| Nut, Heatshield to Exhaust Manifold, 07-11 JK (3.8L) *SURPLUS | S-34201358 |
| Exhaust Header, Right; 07-11 Wrangler JK/JKU, 3.8L | 17650.54 |
| Exhaust Header, Left; 07-11 Wrangler JK/JKU, 3.8L | 17650.55 |
| Exhaust Hanger; 96-17 Wrangler | 17620.05 |

Filters

| | Part # |
|--|----------|
| Air Filter, 07-17 Wrangler (2.8L Diesel) | 17719.11 |
| Air Filter, 07-17 Wrangler (3.6L/3.8L) | 17719.09 |
| Air Filter, Reusable, 07-17 Wrangler (3.6L/3.8L) | 17752.05 |
| Filter Kit, Auto Transmission (45RFE/545RFE), 07-10 Wrangler | 19003.02 |
| Filter, Automatic Transmission, 07-10 Wrangler, | 19003.09 |
| Filter, Automatic Transmission, 07-10 Wrangler, | 19003.03 |
| Filter, Cabin Air, 07-17 Wrangler | 17719.25 |
| Fuel Filter, 07-11 Wrangler (2.8L Diesel) | 17718.08 |
| Oil Filter, 07-11 Wrangler (3.8L) | 17436.09 |
| Oil Filter, 12-13 Wrangler (3.6L) | 17436.20 |
| Oil Filter, 14-17 Wrangler (3.6L) | 17436.24 |
| PCV Valve, 07-11 Wrangler | 17404.13 |

Fuel

| | Part # |
|---|-----------|
| Clip, Fuel Injector, 07-11 Wrangler *SURPLUS | S-4418257 |
| Fuel Pump Module, 11-17 Wrangler | 17709.39 |
| Gas Cap, Locking, 07-17 Wrangler | 17726.16 |
| Gas Cap, Non-Locking, 07-17 Wrangler | 17726.15 |
| Injector, Fuel, 07-11 Wrangler (3.8L) | 17714.14 |
| Injector, Fuel, 12-17 Wrangler (3.6L) | 17714.12 |
| Pedal, Accelerator, 07-17 Wrangler | 17733.04 |
| Seal, Fuel Pump Module, 07-17 Wrangler | 17709.42 |
| Spacer, Throttle Body, 07-11 Wrangler (3.8L) | 17755.02 |
| Spacer, Throttle Body, 12-17 Wrangler (3.6L) | 17755.03 |
| Vapor Canister, 18 Gallon, 07-11 Wrangler (3.8L) | 17713.12 |
| Vapor Canister, 23 Gallon, 07-11 Wrangler (3.8L) | 17713.11 |
| Fuel Neck Seal, 07-17 Wrangler | 17743.04 |

Heat/AC

| | Part # |
|--|-----------|
| Blower Motor Resistor, 07-10 Wrangler | 17909.04 |
| Condenser, AC, w/ TOC, 07-17 Wrangler (3.8L/2.8L Diesel) | 17950.12 |
| Condenser, Air Conditioning, 12-17 Wrangler (3.6L) | 17950.18 |
| Evaporator Core, Air Conditioning, 07-11 Wrangler | 17952.05 |
| Heater Hose, Inlet, 07-11 Wrangler | 17116.66 |
| A/C Pipe Mounting Bolt, 07-17 Wrangler *SURPLUS | 17116.20 |
| Hose Clamp; 87-17 Wrangler *SURPLUS | S-6502017 |

Interior

| | Part # |
|--|----------|
| Door Strap Retainer, Rear Left; 07-17 Wrangler *SURPLUS | 11105.04 |
| Door Trim Panel, Front Right; 07-10 Wrangler *SURPLUS | 11156.21 |
| Door Trim Panel, Front Left; 07-10 Wrangler *SURPLUS | 11156.22 |
| Door Trim Panel, Rear Right; 07-10 Wrangler *SURPLUS | 11156.23 |
| Door Trim Panel, Rear Left; 07-10 Wrangler *SURPLUS | 11156.24 |
| Door Handle, Inside Release, Right; 07-10 *SURPLUS | 11812.18 |
| Door Handle, Inside Release, Left; 07-10 JK *SURPLUS | 11812.19 |
| Door Panel Insert Assembly, Rear, RH; 07-10 JK *SURPLUS | 11812.24 |
| Door Panel Insert Assembly, Rear, LH; 07-10 JK *SURPLUS | 11812.25 |
| Window Crank Handle, 97-17 Wrangler | 11814.02 |
| Carpet Retainer, Metal Nut; 07-17 Wrangler | 13697.02 |



* Surplus items available only while supplies last

** Pricing not available at time of printing. Check with your retailer for current price and availability.

REPLACEMENT & REPAIR PARTS

Direct OE replacement Jeep® parts and accessories built to the original specifications by Omix-ADA®. Limited 5 year manufacturer's warranty.

| Interior cont'd | Part # |
|--|----------|
| Accelerator Pedal, 07-11 Wrangler | 17733.04 |
| Brake Pedal Pad, Auto Transmission, 07-17 Wrangler | 16753.04 |
| Rear View Mirror Kit, 07-12 Wrangler | 11020.02 |
| Rear View Mirror Mounting Kit, 07-17 Wrangler | 11021.02 |

| Lighting | Part # |
|--|----------|
| Bulb, Courtesy Lamp, 07-17 Wrangler | 12408.12 |
| Bulb, Park Lamp, Amber, 07-17 Wrangler | 12408.09 |
| Bulb, Park Lamp, Clear, 07-17 Wrangler | 12408.03 |
| Bulb, Parking Lamp, Clear, Krypton, 07-17 Wrangler | 12408.10 |
| Courtesy Lamp, Interior, LED, 07-17 Wrangler | 12430.01 |
| Fog Light Assembly, 07-09 Wrangler | 12407.12 |
| Fog Light Assembly, 10-17 Wrangler | 12407.16 |
| Headlight Assembly, Left, 07-17 Wrangler | 12402.21 |
| Headlight Assembly, Right, 07-17 Wrangler | 12402.20 |
| Lock Nut, Tail, Stop, Turn Signal, or Side Marker Lamp, 07-17 Wrangler | 12410.02 |
| Park Lamp Assembly, Amber, Left, 07-17 Wrangler | 12405.25 |
| Park Lamp Assembly, Amber, Right, 07-17 Wrangler | 12405.24 |
| Park Lamp Assembly, Clear, Left, 07-17 Wrangler | 12405.33 |
| Park Lamp Assembly, Clear, Right, 07-17 Wrangler | 12405.32 |
| Side Marker Light, Amber, Left, 07-17 Wrangler | 12401.25 |
| Side Marker Light, Amber, Right, 07-17 Wrangler | 12401.24 |
| Tail Light, Left, 07-17 Wrangler | 12403.37 |
| Tail Light, Right, 07-17 Wrangler | 12403.36 |
| License Plate Bracket Lens: 07-17 Wrangler | 11233.09 |

| Steering | Part # |
|--|----------|
| Adjusting Sleeve, Tie Rod Tube, 07-17 Wrangler | 18044.04 |
| Clamp, Power Steering Supply Hose, 26mm, 07-11 Wrangler (3.8L) | 18012.29 |
| Frame Kit, W/ Flipped Drag Link, 07-17 Wrangler | 18205.30 |
| Hose, Power Steering Pressure, 07-11 Wrangler | 18012.22 |
| Pitman Arm, Left Hand Drive, 07-17 Wrangler | 18006.11 |
| Power Steering Pump, 12-17 Wrangler | 18008.22 |
| Pulley, Power Steering Pump, 07-11 Wrangler (3.8L) | 18011.02 |
| Reservoir, Power Steering Pump, 08-17 Wrangler | 18009.03 |
| Steering Knuckle, Left, 07-17 Wrangler | 18007.02 |
| Steering Knuckle, Right, 07-17 Wrangler | 18007.01 |
| Steering Link Adjuster, LHD, 07-17 Wrangler | 18044.06 |
| Steering Stabilizer, 07-17 Wrangler | 18040.05 |
| Sway Bar Link, Rear, 07-12 Wrangler | 18044.30 |
| Tie Rod End, Drag Link, 07-17 Wrangler | 18044.01 |
| Tie Rod End, Drag Link, Outer, 07-17 Wrangler | 18050.10 |
| Tie Rod End, Left, Outer To Knuckle, 07-17 Wrangler | 18044.03 |
| Tie Rod End, Outer, Right, 07-17 Wrangler | 18044.02 |
| Tie Rod End Assembly, Right, Long; 07-17 Wrangler | 18044.05 |
| Drag Link Kit; 07-17 Wrangler | 18050.11 |

| Suspension | Part # |
|---|----------|
| Ball Joint Kit, 07-17 Wrangler | 18036.05 |
| Ball Joint, Upper, 07-17 Wrangler | 18037.05 |
| Bushing, Front Lower Control Arm, 07-17 Wrangler | 18283.26 |
| Bushing, Front Right Track Bar, 07-17 Wrangler | 18283.27 |
| Bushing, Front, Upper Control Arm, 07-17 Wrangler | 18283.15 |
| Bushing, Rear Lower Control Arm, 07-17 Wrangler | 18283.30 |



Omix-ADA



** Pricing not available at time of printing. Check with your retailer for current price and availability.

MINIMUM 5 YEAR WARRANTY

REPLACEMENT & REPAIR PARTS

Direct OE replacement Jeep® parts and accessories built to the original specifications by Omix-ADA®. Limited 5 year manufacturer's warranty.

| Suspension cont'd | Part # |
|---|------------|
| Bushing, Rear Track Bar, 07-17 Wrangler | 18283.31 |
| Bushing, Rear Upper Control Arm, 07-17 Wrangler | 18283.32 |
| Control Arm, Front, Lower, 07-17 Wrangler | 18285.11 |
| Control Arm, Front, Upper, 07-17 Wrangler | 18285.10 |
| Control Arm, Rear, Lower, 07-17 Wrangler | 18285.14 |
| Control Arm, Rear, Upper, 07-17 Wrangler | 18285.12 |
| Dropdown Bracket, Front Track Bar, 07-17 Wrangler | 18205.24 |
| Nut, Control Arm, 07-17 Wrangler *SURPLUS | S-11502814 |
| Shock Absorber, Front, 07-17 Wrangler | 18203.24 |
| Shock Absorber, Rear, 07-17 Wrangler | 18203.25 |
| Sway Bar Bushing Bracket, 07-17 Wrangler | 18272.20 |
| Sway Bar Link, Front, 07-17 Wrangler | 18283.25 |
| Sway Bar Link, Rear, 07-17 Wrangler | 18044.30 |
| Jounce Bumper, Front L/R; 07-17 Wrangler | 18280.16 |
| Control Arm Kit, Rear; 07-17 Wrangler | 18282.37 |
| Control Arm Kit; 07-17 Wrangler | 18282.38 |
| Control Arm Kit, Front; 07-17 Wrangler | 18282.44 |

| Transmission & Transfer Case - Automatic | Part # |
|--|------------|
| Bearing, Input Shaft, Transfer Case, 07-17 Wrangler | 18676.04 |
| Bearing, Output Shaft, Transfer Case, 07-17 Wrangler | 18676.51 |
| Torque Converter Mounting Bolt, 07-11 JK (3.8L) *SURPLUS | S-34202497 |
| Bushing, Shift Rail, 07-17 Wrangler (NV241) | 18676.49 |
| Chain, Transfer Case, 07-17 Wrangler (NV241) | 18612.10 |
| Handle, Transmission Dipstick, Black, 07-11 Wrangler (3.8L) | 11431.08 |
| Mount, Transmission, Automatic, 07-11 Wrangler | 19005.20 |
| Neutral Safety Switch, Auto Transmission, 07-11 Wrangler | 17261.01 |
| Transfer Case Cover Mounting Nut, 07-17 Wrangler *SURPLUS | S-J4006681 |
| Planetary Gear, Transfer Case, 07-17 Wrangler | 18676.55 |
| Range Shift Fork, 07-17 Wrangler (NV241) | 18676.17 |
| Seal, Input Bearing Retainer, 07-17 Wrangler (NV241) | 18676.03 |
| Seal, Input Shaft, 07-17 Wrangler (NV241) | 18680.13 |
| Seal, Output Shaft, 07-11 Wrangler (42RLE) | 18894.01 |
| Seal, Output Shaft, 07-17 Wrangler (NV241) | 18676.82 |
| Seal, Transfer case Input Shaft, 07-11 Wrangler | 17449.15 |
| Seal, Transfer Case Vacuum Switch, 07-17 Wrangler | 18680.15 |
| Seal, Transmission Oil Pump, 12-17 Wrangler (W5A580) | 17433.19 |
| Shift Fork Pad, 07-17 Wrangler (NV241) | 18680.27 |
| Transmission Rebuild Kit, 42RLE, 03-13 Jeep Models | 19001.07 |

| Transmission & Transfer Case - Manual | Part # |
|---|-----------|
| Backup Switch, Manual, 07-11 Wrangler (NSG370) | 17234.27 |
| Mounting Bolt, 11-17 Wrangler (NSG370) *SURPLUS | S-6034249 |
| Clutch Pedal Pad, 07-17 Wrangler | 16753.03 |
| Clutch Throwout Bearing, 07-17 Wrangler | 16906.06 |
| Junior Clutch Kit, 07-11 Wrangler (3.8L) | 16903.08 |
| Master Clutch Kit, 12-17 Wrangler (3.6L) | 16902.21 |
| Mount, Transmission, Manual, 07-11 Wrangler | 19005.20 |
| Regular Clutch Kit, 07-11 Wrangler (3.8L) | 16901.22 |
| Regular Clutch Kit, 12-17 Wrangler (3.6L) | 16901.26 |
| Clutch Slave Cylinder, 07-17 Wrangler/Liberty | 16909.09 |
| Double Stud, Slave Cylinder; 05-17 Wrangler *SURPLUS | 16909.15 |
| Master Clutch Kit; 05-11 Wrangler 3.8L/4.0L | 16902.20 |
| Clutch Fork, 93-17 Wrangler | 16914.07 |
| Transfer Case Switch 5 Position; 07-17 Wrangler | 18676.52 |



* Surplus items available only while supplies last

** Pricing not available at time of printing. Check with your retailer for current price and availability.

Learn more about Replacement Transmission Parts we have.