



2019_CATALOG

**ALONG
SIDE
WORLD
CHAMP
PIONS**
SINCE 1973





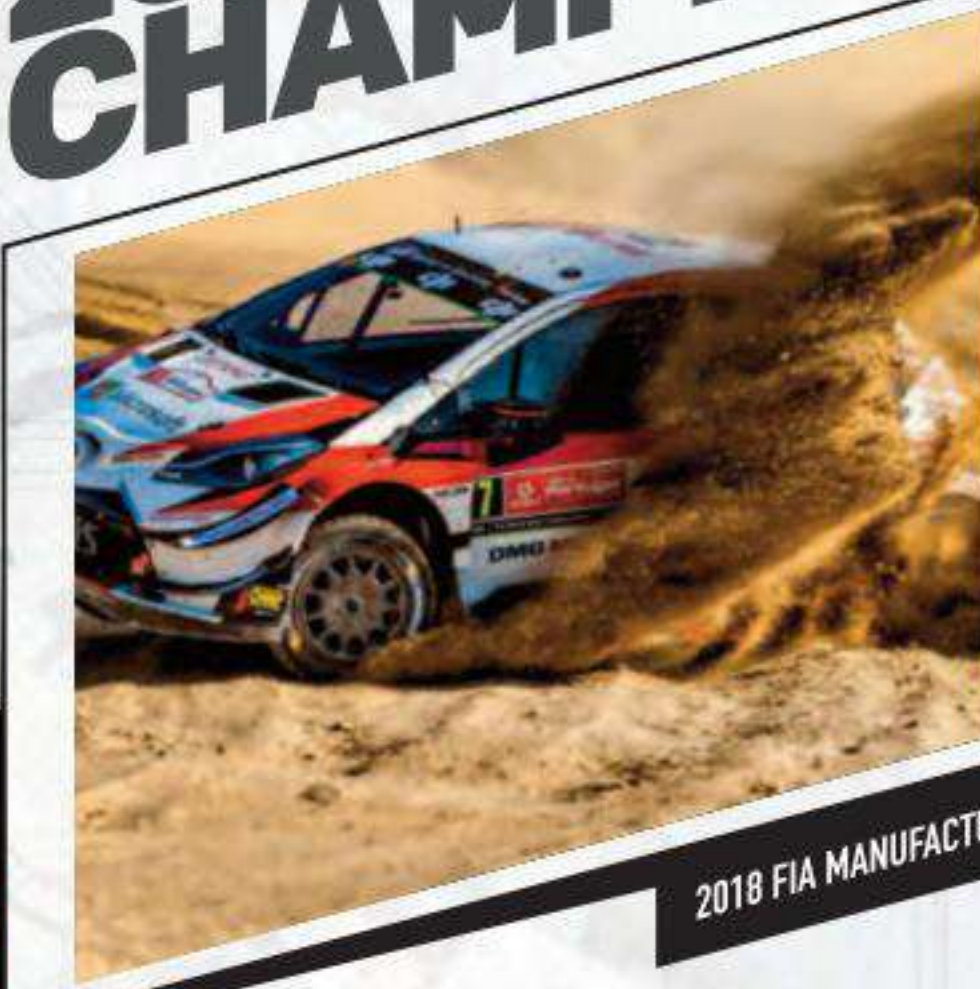
2018 FIA FORMULA 1 WORLD CONSTRUCTORS' CHAMPIONS



Official Team Supplier
AMG
PETRONAS
MOTORSPORT



2018 WORLD CHAMPIONS



Official Team Supplier
World Rally Team
GR **TOYOTA**
GAZOO
Racing



2018 FIA MANUFACTURERS' WORLD RALLY CHAMPIONS



1973
First OMP product: it's a Fiat 500 rollbar.
First OMP "logo": the letters "OMP" written with a typewriter.
First offers: OMP is getting noticed by a growing number of teams and asked to become official supplier in important Italian racetrack competitions all along the decade.

1973

1981
 By this year, the catalogue has increased to cover any safety device for racing cars, so the firm decides to extend its production to racewear.

1981

1982
Mauro Baldi is the first F1 driver to wear an OMP suit ever

1982

1986
First FIA homologation for an OMP fire retardant suit

1986

1989
 April 23: OMP become popular all over the world, millions of people see live on television **Gerard Berger** saved from the flames of his Ferrari at Imola, thanks to fireproof overalls and gloves made by OMP

1989

1990
 OMP supplies one of the most beloved and successful drivers in F1 history, the Brazilian champion **Ayrton Senna**. The partnership will last until his tragic death in 1994. OMP still keeps in its showroom /museum some overalls and gloves used by Ayrton. **Carlos Sainz** World Rally Champions with Toyota
Ayrton Senna World F1 Champion with McLaren

1990

1992
Carlos Sainz World Rally Champions with Toyota

1992

1993
Juha Kankkunen World Rally Champions with Toyota

1993

1994
Didier Auriol World Rally Champions with Toyota

1994

1996
Michael Schumacher chooses OMP overalls and gloves as he switch to Ferrari. It's the beginning of an historic partnership between OMP and the German legend.
Tommi Mäkinen World Rally Champion with Mitsubishi

1996

1997
Tommi Mäkinen World Rally Champion with Mitsubishi

1997

1998
Tommi Mäkinen World Rally Champion with Mitsubishi

1998

1999
Tommi Mäkinen World Rally Champion with Mitsubishi

1999

2000
Michael Schumacher World F1 Champion with Ferrari

2000

2001
Michael Schumacher World F1 Champion with Ferrari

2001

2002
Michael Schumacher World F1 Champion with Ferrari

2002



RACING SPIRIT SINCE 1973



2003

2003
Michael Schumacher World F1 Champion with Ferrari

2004

2004
Michael Schumacher World F1 Champion with Ferrari

2008

2008
 In February 2008 the control of OMP was acquired by SAVE S.P.A Group, held by the genovese Delprato brothers.
Yvan Muller and Seat World WTCC Champions

2009

2009
Gabriele Tarquini and Seat World FIA WTCC Champions

2010

2010
Yvan Muller and Chevrolet World FIA WTCC Champions
OMP back in Formula One with Renault F1, Toro Rosso and HRT

2011

2011
Yvan Muller and Chevrolet FIA WTCC World Champions

2012

2012
 OMP becomes FIA official supplier OMP introduces on the market innovative belts **Dyneema fiber** in motorsport, which won numerous awards for the level of security and comfort achieved. **OMP develops Cefal3**, the electrically activated fire extinguisher smallest and lightest in the world.
Benito Guerra FIA PWRC world champion
Rob Huff and Chevrolet world FIA WTCC champions
Ferrari FIA WEC manufacturers World Cup Winner
Ryan Hunter-Reay Indycar champion

2013

2013
 OMP provides the drivers' overalls in the film, by award-winning director **Ron Howard**, "RUSH", faithfully reproduced in detail and embroidered by hand.
Sebastien Ogier, Julien Ingrassia and Volkswagen FIA world rally champions
Pontus Tidemand world FIA JWRC champion
Honda FIA WTCC world manufacturers' champion
Gianmaria Bruni and **Giancarlo Fisichella** Winners of FIA WEC Cup for GT Drivers
Ferrari Winners of FIA WEC Cup for GT Drivers

2014

2014
Sebastien Ogier, Julien Ingrassia and Volkswagen Motorsport FIA World Rally Champions
Petter Solberg FIA World Rallycross Champion
Gianmaria Bruni and **Tony Vilander** Winners of the FIA WEC Cup for GT Drivers
Ferrari Winners of FIA WEC cup for GT Manufacturers
Rebellion Racing winners of WEC Trophy for private LMP1 teams
AF Corse Winners of WEC Trophy for LMGT2 teams
SMP Racing winners of WEC trophy for LMP2 teams

2015

2015
Sebastien Ogier, Julien Ingrassia and Volkswagen Motorsport FIA World Rally Champions.
Ferrari Winners of FIA WEC Cup for GT Manufacturers
 Teaming up with OTK group and creating a revolutionary range of products, OMP revolutions the world of karting.

2016

2016
Sebastien Ogier, Julien Ingrassia and Volkswagen Motorsport FIA World Rally Champions.
Ferrari Winners of FIA WEC Cup for GT Manufacturers
 Teaming up with OTK group and creating a revolutionary range of products, OMP revolutions the world of karting.

2017

2017
Mercedes-AMG Petronas Motorsport FIA Formula 1 World Constructors' Champion
Johann Kristoffersson and **PSRX Volkswagen Motorsport Sweden** FIA world rallycross champions.
Pontus Tidemand, Jonas Andersson and **Skoda Motorsport FIA WRC2** Champions
Alessandro Pier Guidi and **James Calado** FIA WEC GT Champions
Ferrari FIA WEC Manufacturers Champion
 OMP presents "One Art", the first totally customizable fire retardant suit. The "Print Art" technology guarantees complete control on the design of the suit.

2018

2018
Mercedes-AMG Petronas Motorsport FIA F1 World Constructors' Champions
Toyota Gazoo FIA WRC World Constructors' Champions
Johan Kristoffersson and **PSRX Volkswagen Motorsport Sweden** FIA World Rallycross Champions
Jan Kopecki, Pavel Dresler and **Skoda Motorsport FIA WRC2** Champions
Patrik Hajek CIK FIA World KZ Karting Champion

ALONG SIDE WORLD CHAMPIONS SINCE 1973



Official Team Supplier





FACTORY



OMP Racing is an Italian company, established in 1973 in Genoa and having today its headquarters at Ronco Scrivia, world leader in the field of design and manufacture of safety equipment for racecars (suits, gloves, shoes, seats, safety belts, helmets etc.).

Since 2008 the control of the company has been acquired by Genoa-based SAYE Group. Today OMP products are in all world racing championships, among which Formula 1; World Rally Championship - WRC; Rally Cross World Championship - WRX; Formula E; World Endurance Championship - WEC, Indycar Series; Nascar.

OMP is one of the very few companies in the world which are able to offer a complete range of items dedicated to racecars and to drivers' safety, with over 2,000 products in its catalogue, almost entirely homologated by the Fédération Internationale de l'Automobile - FIA, whose OMP is official exclusive supplier.





Official Team Supplier



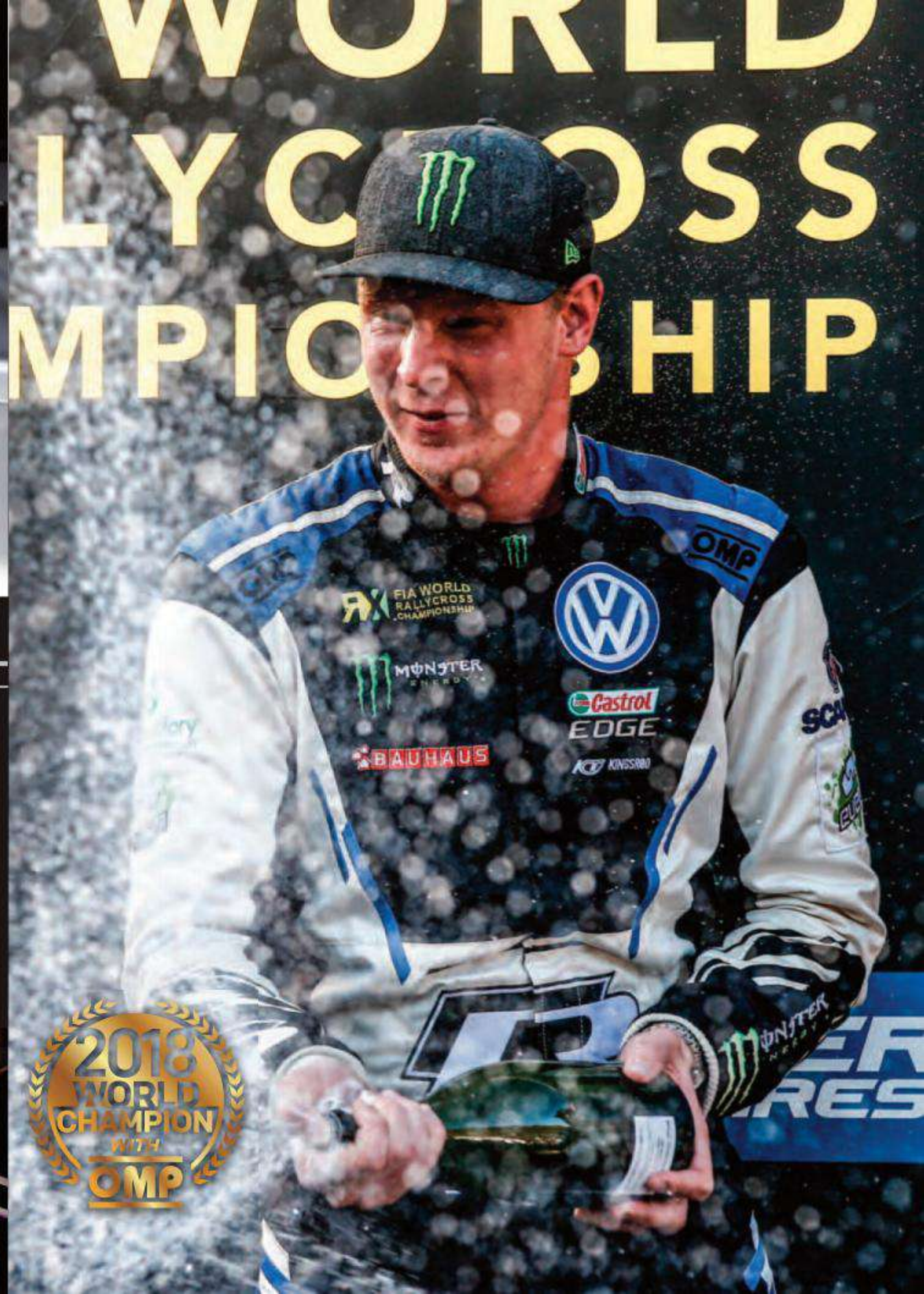
RACING WORLD



"Racing is in our blood": we take the liberty to steal and adapt a legendary Ayrton Senna quote because it perfectly describes our attitude towards the sport.

Our story begins with the picture of a Fiat 500 kept on two wheels in the crazy attempt of taking a corner at high speed: it's 1973 and inside the cockpit there's the very first roll cage manufactured by OMP. By the way, that roll cage is still displayed in our showroom.

But there's a huge road from that Fiat to the present-day world titles with Mercedes-AMG Petronas Motorsport, Volkswagen and Toyota (via Senna, Schumacher and so on...). A road you can't travel without an enormous passion for racing, that kind of passion that's nothing less than pure fuel for work. Years and years dedicated to safety, lightness, performance. Since then, we have been working not only alongside world champions, but also alongside every passionate driver in the world.





KARTING WORLD



The karting track is the place where the brightest motorsport careers had their beginning. It's where talents grow and get discovered, it's the hotbed of tomorrow's legends.

Karting deserves respect, attention and, last but not least, good gear. With its revolutionary range of light and totally customizable suits, boots and gloves OMP is nowadays the first pick of top karting teams and drivers, but that was no impromptu revolution at all.

Behind the launch of the game changing KS1-R suit in 2016 there was a long work of research and development, undertaken with the top of karting players: OTK group, still our biggest partner in this discipline. Exchanging ideas, know-how and solutions with such partner was the key for the new era in karting gear.





FIA - SAFETY & QUALITY



Working for safety at the highest level has always been OMP's goal. This goes through the strict quality policy we've adopted for many years: the 1,700 in-house extra quality and safety tests performed in the last decade ensure our products a standard that goes well over the parameters requested by regulations. The acknowledgement of all this is represented by our partnership with the FIA, the governing body for motorsport safety. Since 2012, OMP and the FIA have been committed side by side on roads and racetracks to guarantee the protection of the people of racing. Technical racing clothing to FIA officials and safety car drivers across a range of FIA world championships (from F1 down) comes exclusively from OMP: fire retardant suits, shoes, gloves and underwear, and also helmets. In 2017, furthermore, OMP gained the honor to supply technical racewear to the young contestants CIK-FIA Academy Trophy, the forge of tomorrow's motorsport champions.





SUITS

PAG. 16

UNDERWEAR

PAG. 44

GLOVES

PAG. 54

SHOES

PAG. 66

HELMETS

PAG. 80

DRIVER EQUIPMENT



Tidens
JULI 2011



RACING

PAG. 16



VINTAGE

PAG. 94



MECHANICS

PAG. 106



KARTING

PAG. 234

w.skoda-m



SUITS



CONCEPT & DESIGN



1

DIGITAL PROJECT



2

GRAPHIC PRINT



3

CUT & PRODUCTION



4

FINISHES



5

HOMOLOGATION



6

Art SUITS

This model of suit can be customized through the use of images, photos and color blendings. This peculiar feature is possible thanks to our proprietary technology "OMP Print Art". In order to outline what spaces are at the customer's disposal for personalization, we show you the exploded view of those areas.

SUIT

ONE

Art

IA01857

SIZES 46-64

sizing information on page 329



TOTALLY PRINTED FIA TOP LEVEL SUIT

Regular fit with ultraflat antirubbing seams, soft knitted fabric inside. Unlimited customization way thanks to the totally printed design.

DRY SYSTEM
UTILITY MODEL
FRESH AIR IN HOT AIR OUT
OMP REVOLUTIONARY COOLING SYSTEM



FLOATING SLEEVES
Semi floating arm bellows.

KNITTED MATERIAL

STRETCH DRY SYSTEM
High breathability parts.
in Dry System 3D material
on back, hips and under
the sleeves

INNER POCKET
One comfortable
hidden inner pocket

IA01857178XX
black/green/yellow



MANUFACTURER: OMP
MODEL: R-1A8-001
HOM. NO.: RS.29736
FIA STANDARD: FIA 8856-2000

FOCUS ON

DRY SYSTEM
UTILITY MODEL
FRESH AIR IN HOT AIR OUT
OMP REVOLUTIONARY COOLING SYSTEM



STRETCH DRY SYSTEM

More comfort, less heat: a goal that OMP pursues since always, and now concretizes with STRETCH DRY SYSTEM. The maximum breathability of OMP Dry System is combined with the elasticity of 3D materials, to allow the best freedom in movements while reducing body temperature. Two fundamental elements to help drivers improve their performance.

The cooling effect of the inserts is improved when worn with the OMP ONE breathable underwear that now offers a cooling spray solution. OMP's Dry System is a registered utility model.

SUIT ONE-S1

IA01852

SIZES 46-64

sizing information on page 329

SUPER TOP LEVEL SUIT

Fireproof super top level overall. Made of shiny Nomex® fabrics. Based on more than 40 years experience with all the innovations introduced by the best drivers of history for maximum comfort everytime.

dry system
FRESH AIR IN HOT AIR OUT
OMP REVOLUTIONARY COOLING SYSTEM



IA01852184XX
anthracite/black/fluo yellow

KNITTED MATERIAL



MANUFACTURER: OMP
MODEL: ONE S
HOM. NO: RS.224.12
FIA STANDARD: FIA 8856-2000

FOCUS ON

INSPIRED BY OMP TOP DRIVERS

NIGEL MANSELL

1989



EASIER AND LIGHTER ARM BELLOWS CONCEPT

AYRTON SENNA

1991



100% FLAT STICHING

M. SCHUMACHER

2006



FRONTAL STICHING CALF ELASTIC INSERT

M. SCHUMACHER

2006



KNEE PADS SMALL POCKETS

KIMI RÄIKÖNEN

2012



LOWERED COLLAR NO BELT

TOMMI MÄKINEN

1996



INNER COLLAR IN SOFT KNITTED FABRIC

P. SOLBERG

2014



INTEGRATED DRY SYSTEM

S. OGIER

2015



ULTRALIGHT FABRICS SMALLER AND LIGHTER ARM BELLOWS CONSTRUCTION



IA01852244XX
dark blue/cyan/white

IA01852076XX
black/silver

IA01852073XX
black/anthracite/red

IA01852083XX
silver/black/anthracite

SUIT

ONE-S

IA01853

SIZES 46-64

TOP LEVEL SUIT

Fireproof top level overall. Developed for the highest lightness without sacrificing the comfort. Made of shiny Nomex® fabrics. Regular fit with antirubbing seams.

OMP DRY SYSTEM
FRESH AIR IN HOT AIR OUT
OMP REVOLUTIONARY COOLING SYSTEM



FLOATING SLEEVES
Semi floating arm bellows.

DRY SYSTEM
High breathability parts in Dry System 3D material.

INNER POCKET
One comfortable hidden inner pocket

IA01853244XX
blu navy / cyan

KNITTED MATERIAL



MANUFACTURER: OMP
MODEL: ONE S
HOM. NO.: RS.224.12
FIA STANDARD: FIA 8856-2000

FOCUS ON

DRY SYSTEM

To help drivers reduce body temperature and improve their performance, OMP has designed a range of underwear and breathable clothing to facilitate the body thermoregulation. The cooling effect of the inserts is improved when worn with the OMP ONE breathable underwear that now offers a cooling spray solution. OMP's Dry System is a registered utility model.

STRETCH DRY SYSTEM

More comfort, less heat: a goal that OMP pursues since always, and now concretizes with STRETCH DRY SYSTEM. The maximum breathability of OMP Dry System is combined with the elasticity of 3D materials, to allow the best freedom in movements while reducing body temperature. Two fundamental elements to help drivers improve their performance.



IA01853071XX
black/white



IA01853083XX
silver/anthracite/black

SUIT ONE-SL

IA01855

CUSTOM MADE

AVAILABLE
UPON REQUEST

SUPERLIGHT SUIT

Super light fireproof overall. Made of shiny Nomex® fabrics. Developed for the highest lightness ever! Slim fit with ultralight antirubbing seams.



KNITTED MATERIAL

FLOATING SLEEVES
Semi floating arm bellows.

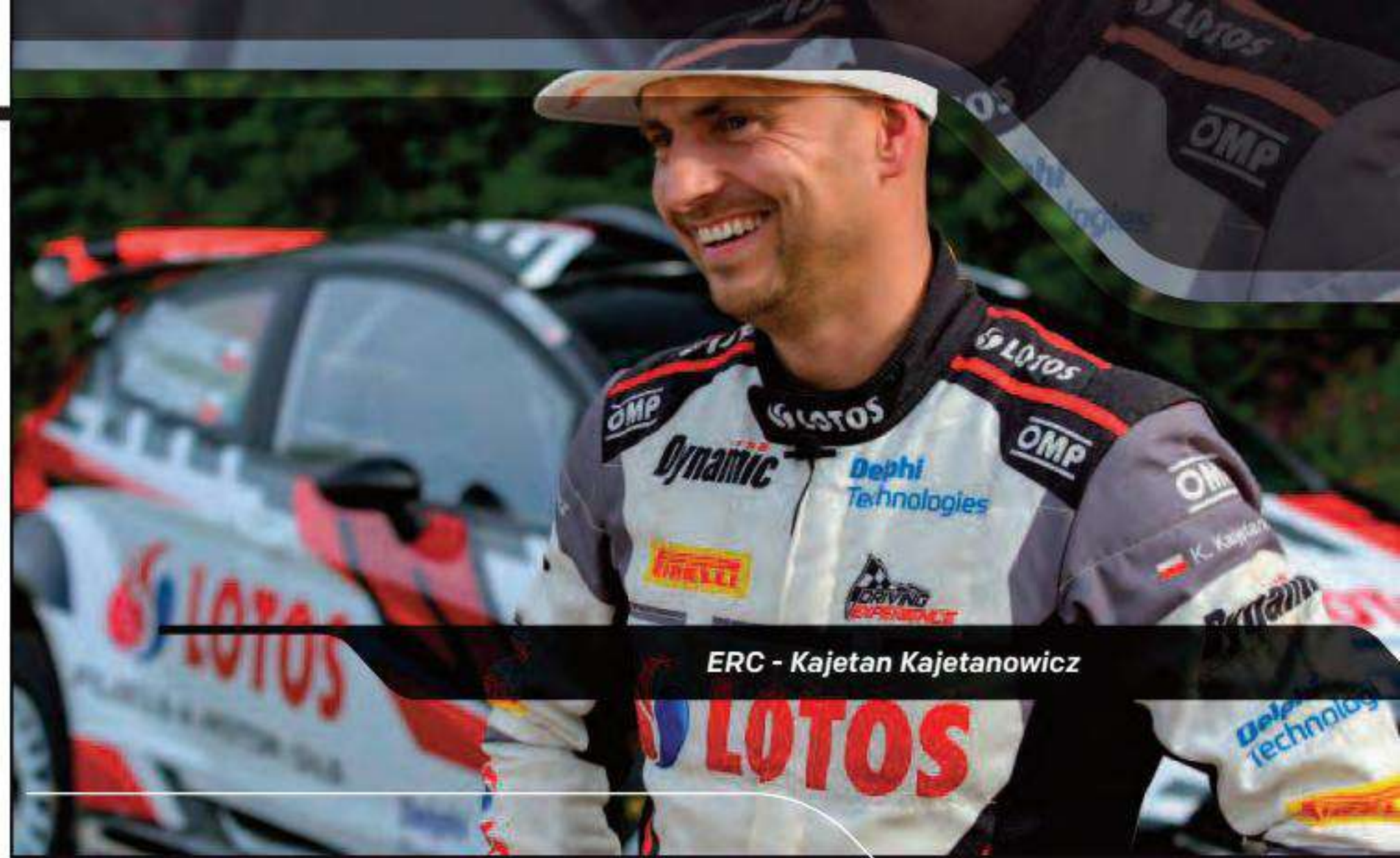
INNER POCKET
One or two comfortable hidden inner pockets.



KNITTED MATERIAL



MANUFACTURER: OMP
MODEL: ONE S
HOM. NO: RS.224.12
FIA STANDARD: FIA 8856-2000



ERC - Kajetan Kajetanowicz



WEC - G-drive racing

SUIT ONE EVO

IA01851

SIZES 46-64

sizing information on page 329

ULTRALIGHT PROFESSIONAL SUIT

Made of shiny, High-Tech Nomex® fabrics and innovative new inner materials, allowing a significant weight reduction, large and improved breathable areas. Slim fit.



SHAPED COLLAR
with inner soft knitted material.

FLOATING ARMS
with elastic bellows.

PRE-CURVED SLEEVES
for maximum comfort.

INNER POCKET

DRY SYSTEM
3D breathable material

IA01851076XX
black/white/red

ULTRA-FLAT
anti rubbing seams.



MANUFACTURER: OMP
MODEL: ONE EVO
HOM. NO: RS.224.12
FIA STANDARD: FIA 8856-2000



FOCUS ON

DRY SYSTEM

To help drivers reduce body temperature and improve their performance, OMP has designed a range of underwear and breathable clothing.

The OMP ONE S line and TECNICA EVO breathable racing suits and underwear to facilitate the body thermoregulation, thanks to the innovative weave of the inserts, strategically positioned, that allow for high breathability while still maintaining their own fire-retardant properties (according to the FIA standard 8856-2000).

The cooling effect of the inserts is improved when worn with the OMP ONE breathable underwear that now offers a cooling spray solution. OMP's Dry System is a registered utility model.



IA01851244XX
navy blue/white/cyan

IA01851270XX
black/white/fluo green

IA01851178XX
black/white/fluo yellow

IA01851089XX
grey/black/white

SUIT TECNICA EVO

IA01859

SIZES 44-64

sizing information on page
SFI 3.2A/5 on request

DEVELOPED DIRECTLY FROM OMP'S TOP DRIVERS EXPERIENCE

Professional fire resistant suit featured by high-level fabrics. Floating arms with elastic bellows to increase freedom of movement, breathable fabric inserts to give the best comfort. Exclusive retractable belt. Inner fabric made in soft knitted fabric and practical front pocket on right side.



DRY SYSTEM
FRESH AIR IN HOT AIR OUT
OMP REVOLUTIONARY COOLING SYSTEM



EXCLUSIVE retractable belt

FLOATING ARMS with elastic bellows.

ULTRA-FLAT anti rubbing seams.

INNER POCKET

DRY SYSTEM 3D breathable material



IA01859178XX
black/anthracite/fluo yellow

FIA APPROVED

MANUFACTURER: OMP
MODEL: R-1AB-003
HOM. NO: RS.324.14
FIA STANDARD: FIA 8856-2000

FOCUS ON

DRY SYSTEM

To help drivers reduce body temperature and improve their performance, OMP has designed a range of underwear and breathable clothing. The OMP ONE S line and TECNICA EVO breathable suits and underwear facilitate the body thermoregulation, thanks to the innovative weave of the inserts, strategically positioned, that allow for high breathability while still maintaining their own fire-retardant properties (according to the FIA standard 8856-2000).

The cooling effect of the inserts is improved when worn with the OMP ONE breathable underwear that now offers a cooling spray solution. OMP's Dry System is a registered utility model.



ADVANCED FASTENING SYSTEM
Exclusive retractable belt



IA01859073XX
black/red

IA01859076XX
black/white

IA01859244XX
navy blue/white/cyan

IA01859373XX
white/anthracite

SUIT

TECNICA-S

IA01850

PROFESSIONAL SUIT

Made of shiny Nomex® fabrics.
Modern and aggressive design.

SIZES 44-64

sizing information on page 329
SFI 3.2A/5 on request



SHAPED COLLAR
with inner soft knitted material.

FLOATING ARMS
with elastic bellows.

ULTRA-FLAT
anti rubbing seams.

INSIDE POCKETS

IA01850063XX
red/white/black



MANUFACTURER: OMP
MODEL: TECNICA-S
HOM. NO: RS.132.07
FIA STANDARD: FIA 8856-2000

FOCUS ON



KNITTED ELASTIC INSERT
on the back for maximum
freedom of movement



IA01850043XX
blue/white/black



IA01850089XX
grey/white/black



IA01850076XX
black/white/silver

SUIT

FIRST EVO

IA01854

2 LAYER SUIT

2 layer overall with modern two coloured design featuring an excellent quality comfort/price ratio.

SIZES 42-64

sizing information on page 329
SFI 3.2A/5 on request



FLOATING ARMS
with elastic bellows.

BREATHABLE SYSTEM
breathable inserts
on the sleeves.

INSIDE POCKETS

IA01854184XX
Anthracite/black/fuo yellow

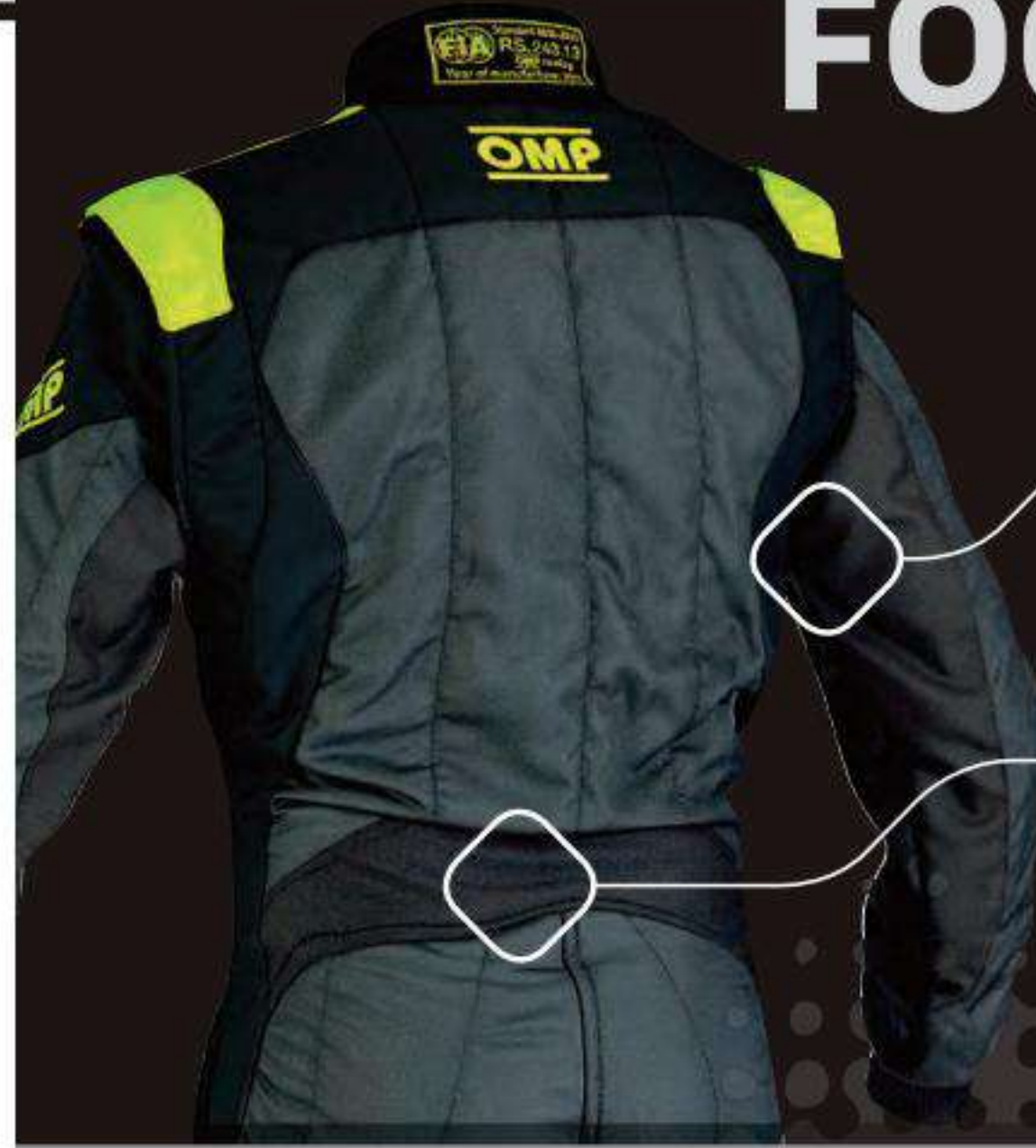
KNITTED MATERIAL
Elastic inserts on the back and
on the groin for better comfort
and flexibility.



MANUFACTURER: OMP
MODEL: FIRST 5
HOM. NO.: RS.243.13
FIA STANDARD: FIA 8856-2000



FOCUS ON



BREATHABLE SYSTEM
Breathable inserts
on the sleeves.

KNITTED ELASTIC INSERT
on the back for maximum
freedom of movement



IA01854046XX
blue navy/silver

IA01854063XX
red/white

IA01854076XX
black/white

IA01854089XX
silver/black

SUIT FIRST-S

IA01828B

SIZES 44-64

sizing information on page 329
SFI 3.2A/5 on request

PROFESSIONAL RESISTANT AND COMFORTABLE SUIT

Entry level FIA homologated racing suit made with new lightweight fabrics and with an excellent price/quality/resistance/comfort ratio. Inner layer in soft knitted fire retardant fabric, modern design with "fishbone" quilting.



FLOATING SLEEVES
Floating arm bellows.

ULTRAFLAT
antirubbing seams.

INSIDE POCKETS

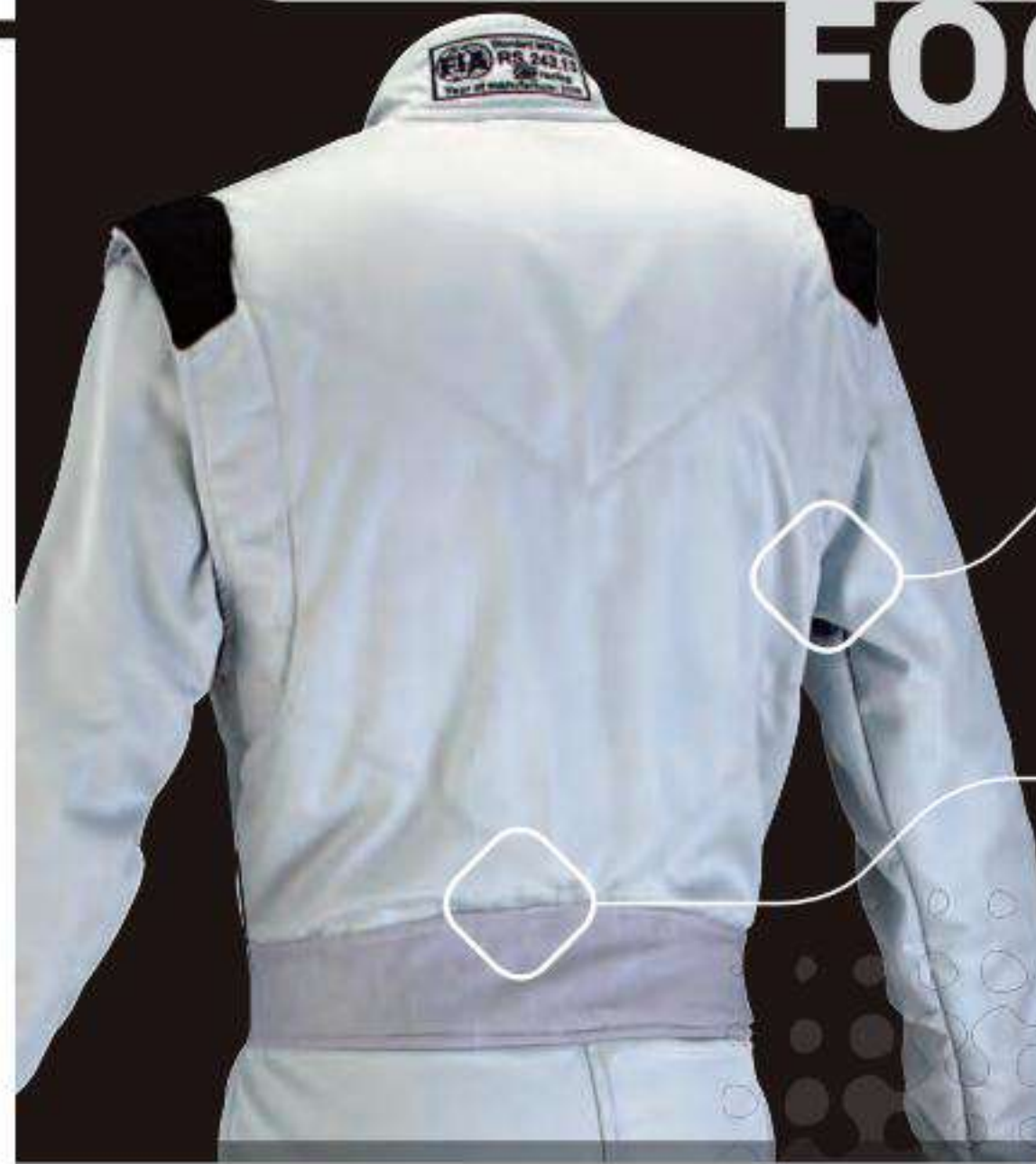
IA01828B083XX
silver/black



MANUFACTURER: OMP
MODEL: OS20
HOM. NO.: RS.24733
FIA STANDARD: FIA 8856-2000



FOCUS ON



BREATHABLE SYSTEM

Breathable inserts on the sleeves.

KNITTED ELASTIC INSERT

on the back for maximum freedom of movement



IA01828B244XX
navy blue/cyan

IA01828B061XX
red/black

IA01828B184XX
anthracite/fluor yellow

IA01828B071XX
black/white

SUIT

FIRST ELLE

IA01854W

SIZES 38-50

sizing information on page 329
SFI 3.2A/5 on request



MANUFACTURER: OMP
MODEL: FIRST S
HOM. NO.: RS.243.13
FIA STANDARD: FIA 8856-2000



SPECIAL SHAPE ONLY FOR LADIES

Two-layer overall with modern bicoloured design featuring an excellent quality/comfort/price ratio. External layer in aramidic fiber for high use and washing resistance, inner fabric in soft knitted material



BREATHABLE INSERTS on the sleeves

FLOATING SLEEVES

ULTRAFLAT antirubbing seams

POCKET

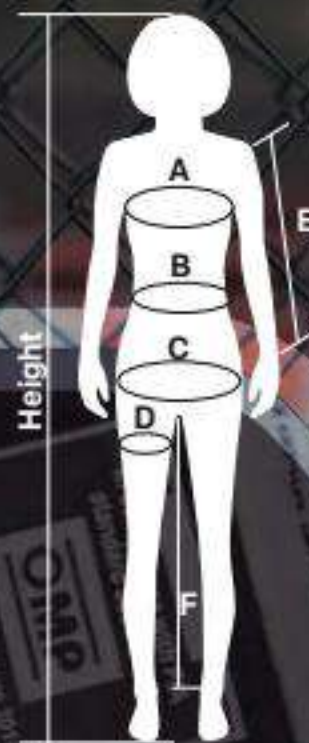
ELASTIC INSERT on the back for maximum freedom of movement



IA01854W248XX
navy blue/tiffany



SUIT SIZING FIRST ELLE



IT SIZING	38	40	42	44	46	48	50
Height (cm)	158-162	160-164	162-166	164-168	166-170	168-172	170-174
A Chest (cm)	82-86	86-90	90-94	94-98	98-102	102-106	106-110
B Waist (cm)	62-66	66-70	70-74	74-78	78-102	82-86	86-90
C Hips (cm)	86-90	90-94	94-98	98-102	102-106	106-110	110-114
D Thigh (cm)	48-50	50-52	52-54	54-56	56-58	58-60	60-62
E Arm (cm)	52-54	53,5-55,5	55-57	56,5-58,5	58-60	59,5-61,5	61-63
F Inside leg (cm)	73,5-75	75-76,5	76,5-78	78-79,5	79,5-81	81-82,5	82,5-84

SUIT OMP SPORT

IA01847F

ENTRY LEVEL RACING SUIT

OMP entry level suit with an excellent quality/ price ratio. Outer pockets.



MANUFACTURER: OMP
MODEL: OS 20
HOM. NO: RS.24715
FIA STANDARD: FIA 8856-2000



IA01847F041XX

blue

LARGE POCKET



IA01847F061XX

red



IA01847F071XX

black

SIZES S/XXL

sizing information on page 329
SFI 3.2A/5 on request

Corresponding suit sizes:

USA	EU
S	46/48
M	50/52
L	54/56
XL	58/60
XXL	62/64

FLOATING ARMS
with elastic bellows.



HIPS AND LUMBAR INSERTS
made of soft knitted elastic fabric

SUIT OS 10

IA01904

OS 10 SUIT

One layer OMP Sport racing suit in fire retardant cotton fabric.

SIZES: S/XXL

sizing information on page 329
HOMOLOGATION SFI 3.2A/S1

Corresponding suit sizes:

USA	EU
S	46/48
M	50/52
L	54/56
XL	58/60
XXL	62/64

EXTRACTION HANDLES

ELASTIC STRETCH
Lumbar elastic stretch.

IA01904071XX

black


EXTERNAL POCKETS



RACING SUITS TABLE

ONE ART SUIT

HOMOLOGATION	LAYERS	gr/m ²	SIZES
FIA 8856/2000	3	295	46 64



IA01857178XX

ONE-S1 SUIT

HOMOLOGATION	LAYERS	gr/m ²	SIZES
FIA 8856/2000	3	235	46 64



IA01852076XX IA01852083XX IA01852184XX IA01852073XX IA01852244XX

ONE-S SUIT

HOMOLOGATION	LAYERS	gr/m ²	SIZES
FIA 8856/2000	3	235	46 64



IA0185307XX IA0185308XX IA01852344XX

PLEASE NOTE

The XX in each part number indicates the location of the size.

ONE-SL SUIT

HOMOLOGATION	LAYERS	gr/m ²	SIZES
FIA 8856/2000	3	235	custom made



IA01855

ONE EVO SUIT

HOMOLOGATION	LAYERS	gr/m ²	SIZES
FIA 8856/2000	3	235	46 64



IA01851089XX IA01851178XX IA01851076XX IA01851244XX IA01851270XX

TECNICA EVO SUIT

HOMOLOGATION	LAYERS	gr/m ²	SIZES
FIA 8856/2000 SFI on request*	3	320	44 64



IA01859076XX IA01859373XX IA01859178XX IA01859073XX IA01859244XX

TECNICA-S SUIT

HOMOLOGATION	LAYERS	gr/m ²	SIZES
FIA 8856/2000 SFI on request*	2	350	44 64



IA01850076XX IA01850089XX IA01850063XX IA01850043XX

FIRST EVO SUIT

HOMOLOGATION	LAYERS	gr/m ²	SIZES
FIA 8856/2000 SFI on request*	2	400	42 64



IA01854076XX IA01854089XX IA01854184XX IA01854063XX IA01854046XX

FIRST-S SUIT

HOMOLOGATION	LAYERS	gr/m ²	SIZES
FIA 8856/2000 SFI on request*	2	400	44 64



IA01828B071XX IA01828B083XX IA01828B184XX IA01828B061XX IA01828B244XX

OMP SPORT SUIT


HOMOLOGATION	LAYERS	gr/m ²	SIZES
FIA 8856/2000 SFI on request*	2	400	S XXL



IA01847F071XX IA01847F041XX IA01847F061XX

FIRST ELLE


HOMOLOGATION	LAYERS	gr/m ²	SIZES
FIA 8856/2000 SFI on request*	2	400	38 50



IA01854W248XX

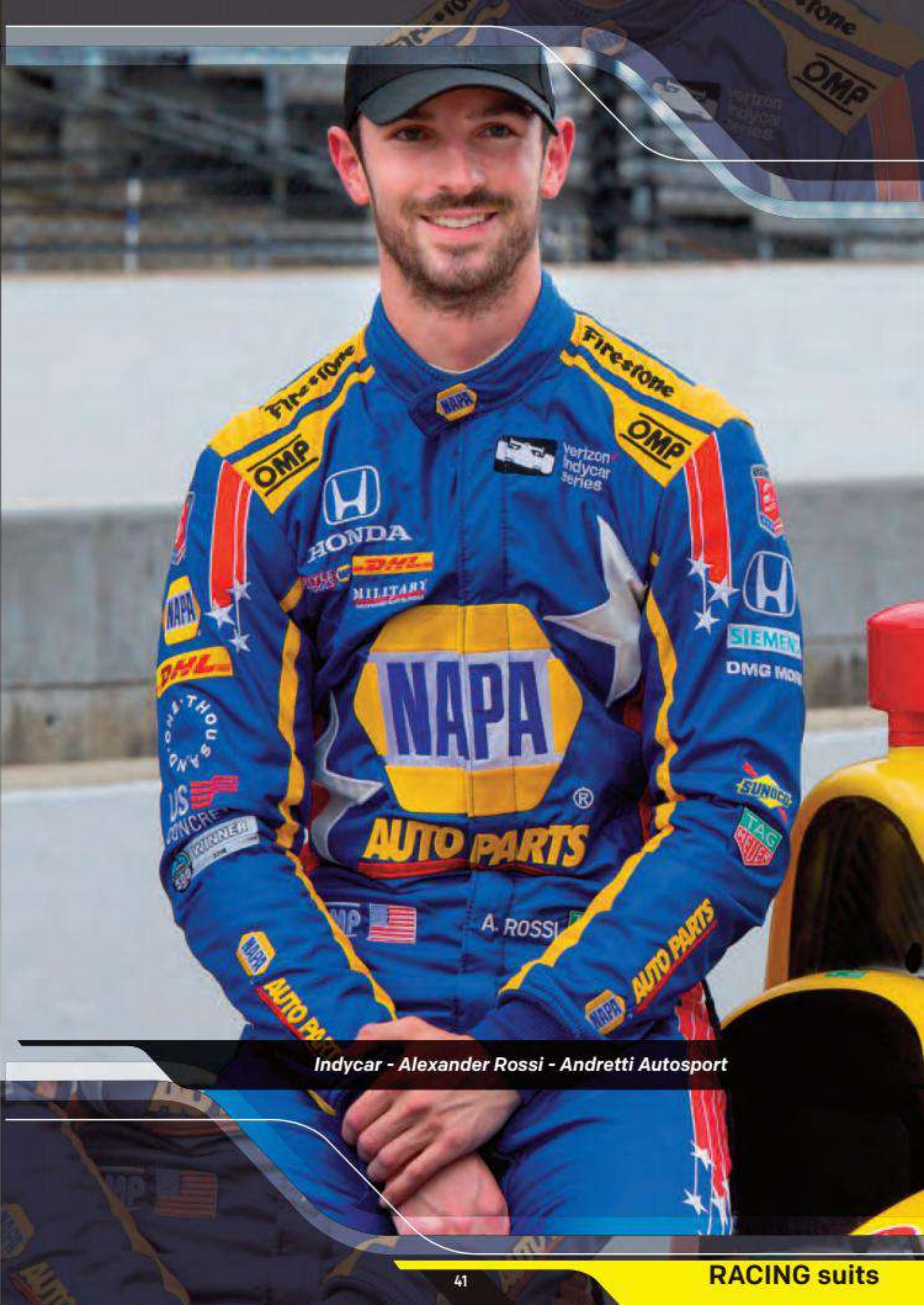
OS 10 SUIT

HOMOLOGATION	LAYERS	gr/m ²	SIZES
SFI 3.2	1	200	S XXL



IA01904071XX

*SFI on request only for special production



Indycar - Alexander Rossi - Andretti Autosport

1

CHOOSE THE MODEL YOU WANT TO CUSTOMIZE FROM THE FOLLOWING:
 ONE ART (IA01857) - ONE-S1 (IA01852) - ONE-S SUIT (IA01853) - ONE EVO SUIT (IA01851) - TECNICA
 EVO SUIT (IA01859) - TECNICA-S SUIT (IA01850) - FIRST EVO (IA01854) - FIRST-S SUIT (IA01828B) -
 FIRST ELLE (IA01854W) - ONE VINTAGE (IA01842) - LE MANS (IA01823F) - CLASSIC (IA01816F)

2

DOWNLOAD THE CUSTOMIZATION TUTOR AND THE BLANK MODEL FROM OMP RACING



3

AREA BY AREA, CHOOSE AND APPLY THE COLORS FROM THE PALETTES



4

APPLY YOUR LOGOS AND GRAPHICS



5

DOWNLOAD THE ORDER FORM AND FILL IT IN EVERY PART

OMP SUITS CUSTOMIZATION SERVICE

Send the order form via e-mail: export@omp.com or via fax: +39 0196511005

CONTACT OFFICE: _____ REFERENCE OFFER: _____

ORDER NUMBER: _____ PRODUCTION ORDER: _____

DATE: _____ DATE OF DELIVERY: _____

1 CUSTOMER DATA

1.1 - CUSTOMER: _____

1.2 - ADDRESS: _____

1.3 - PHONE: _____ 1.4 - FAX: _____

1.5 - E-MAIL: _____

OMP

FORMULA ONE
CHARLES LECLERC
ALFA ROMEO SAUBER

RACING

PAG. 46

KARTING

PAG. 246

UNDERWEAR

ULTRA-LIGHT UNDERWEAR TOP WITH EXCLUSIVE FEATURES

Advanced technology knitted fabric with maximum breathability 3D knitted inserts for maximum cooling in hot conditions that aligns with the breathable inserts of ONE ART ONE-S1, ONE-S, ONE-SL, ONE EVO, and TECNICA EVO suits.

FOR MAXIMUM FRESHNESS USE INVIGORATING COOLING SPRAY

(ref. PC02003)

IAA/739E020XX

white

DRY SYSTEM
3D breathable material



SFI 3.2A/5 on request

SMA

corresponding sizes XS/S
suit sizes 44-48

MED

corresponding sizes M/L
suit sizes 50-54

XLAR

corresponding sizes XL/XXL
suit sizes 56-60

on request:

2XLAR

corresponding sizes XXXL
suit sizes 62-64



IAA/739E/CN/XX
black



MANUFACTURER: OMP
MODEL: IAA/739
FIA STANDARD: FIA 8856-2000

ONE LONG JOHNS

IAA/740EP

ULTRA-LIGHT PANTS WITH EXCLUSIVE FEATURES

Advanced technology knitted fabric with maximum breathability. 3D knitted inserts for maximum cooling in hot conditions.

FOR MAXIMUM FRESHNESS USE INVIGORATING COOLING SPRAY

(ref. PC02003)

IAA/740EP020XX

white



SFI 3.2A/5 on request

SMA

corresponding sizes XS/S
suit sizes 44-48

MED

corresponding sizes M/L
suit sizes 50-54

XLAR

corresponding sizes XL/XXL
suit sizes 56-60

on request:

2XLAR

corresponding sizes XXXL
suit sizes 62-64

IAA/740EP/CN/XX
black

ONE BALACLAVA

IAA/741E

SFI 3.3 on request

FOR MAXIMUM FRESHNESS USE INVIGORATING COOLING SPRAY

(ref. PC02003)
SIZES: S-M

IAA/741E020XX
white



MANUFACTURER: OMP
MODEL: IAA/741
FIA STANDARD: FIA 8856-2000



IAA/741E/CN/X
black

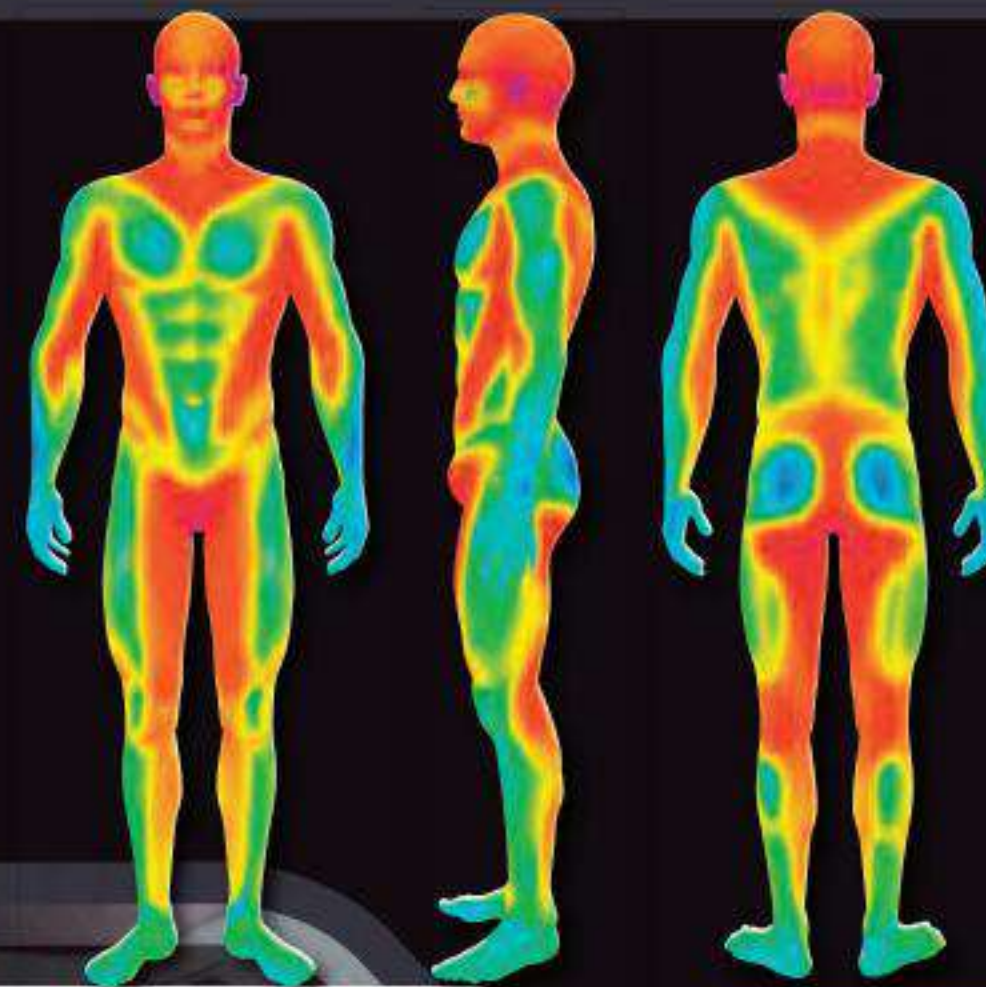
INVIGORATING COOLING EFFECT SPRAY

PC02003

BIO COSMETIC ITEM ACTIVE THERMOREGULATOR

Reduces the high temperatures inside the cockpits, controls perspiration and keeps a steady body temperature, offering an invigorating and cooling sensation.

OMP gives always particular attention to the wellness and comfort of the drivers all over the world.



TECNICA TOP

IAA/756

Professional long sleeved underwear top with high neck for maximum protection made with a comfortable fire retardant seamless fabric. The high breathability fabric inserts on main perspiration areas ensures the best comfort and a perfect fitting.



IAA/756071XX
black

- XS**
corresponding sizes XS/S
- ML**
corresponding sizes M/L
- XL**
corresponding sizes XL/XXL
- 2XL**
corresponding sizes XXXL



IAA/756020XX
white



TECNICA LONG JOHNS

IAA/757

Professional underwear long johns made with a comfortable fire retardant seamless fabric. The high breathability fabric inserts on main perspiration areas ensures the best comfort and a perfect fitting.



IAA/757071XX
black

- XS**
corresponding sizes XS/S
- ML**
corresponding sizes M/L
- XL**
corresponding sizes XL/XXL
- 2XL**
corresponding sizes XXXL



IAA/757020XX
white



TECNICA BALACLAVA

IAA/758

SIZES:
S/M - L/XL

Professional balaclava made with a comfortable fire retardant seamless fabric that ensures the best comfort and a perfect fitting.



IAA/758071XX
black



IAA/758020XX
white



Supercars Championship - Craig Lowndes - Triple Eight Race Engineering

FIRST TOP

IAA/730

SIZES:
XS - XXL
SFI 3.3

Viscose/aramid long sleeved top with external seams.
Colour: ecru.



FIRST LONG JOHNS

IAA/731P

SIZES:
XS - XXL
SFI 3.3

Viscose/aramid long johns with external seams.
Colour: ecru.



FIRST BALACLAVA

IAA/729

SIZES:
S (IAA/729/S) - M (IAA/729)
SFI 3.3

Viscose/aramid balaclava with external seams.
Colour: ecru.



PROTECTIONS

ELBOW PADS

ID/791

Aramid elbow pads with inner padding.
One size.



KNEE PADS

ID/790

Aramid knee pads with inner padding.
In Nomex®.
One size.



SOCKS

ARAMID KNITTED SOCKS

IAA/722 - IAA/724 - IAA/723

SIZES: XS - L FIA HOMOLOGATED SFI 3.3



IAA/722
cream

IAA/724
black

IAA/723
cream

ONE SOCKS

IAA/749

SIZES: S - M - L FIA HOMOLOGATED SFI 3.3



IAA/749/CN/X
black

IAA/749028X
white

These socks make use of the same material of the One Underwear, coupled with advanced knitting techniques to provide differentiated pressure areas, with beneficial effect for blood circulation, reducing the feeling of th fatigue in the legs while driving.



OMP COOLSHIRT

Underwear long sleeved top with integrated water based cooling system.

FOR MAXIMUM FRESHNESS USE INVIGORATING COOLING SPRAY
(ref. PC02003)



WORLD WIDE EXCLUSIVE



IAA/752020XX
white

IAA/752071XX
black



SFI 3.3 on request

SMA
corresponding sizes XS/S
suit sizes 44-48

MED
corresponding sizes M/L
suit sizes 50-54

XLAR
corresponding sizes XL/XXL
suit sizes 56-60

DUAL FLOW CONTROLLER

ID/798

(water and air) - Controls the amount of refrigerating effect and gives the driver control of his/her comfort while in the race car by controlling the flow of cooling water through the shirt and the flow of fresh air in the helmet. Available as replacement for Air & Water System dual controller.



UNIVERSAL CONNECTOR AND DRAIN KIT

ID/799

Universal connectors for supply hose ID/797. Available as replacement of original parts.



SAFETY PULL RELEASE CONNECTOR

ID/800

Safety pull release connectors that allow to connect the shirt to the supply hose ID/797. Available as replacement of original parts.



BRACKET

ID/801

Spare mounting tray for Club System (ID/794). Comes with tie down strap.



MAINTENANCE ADDITIVE

PC02004

This non-toxic bio-degradable solution contains a fungicide yet is safe to use in all Coolshirt water based cooling systems. Regular use of this additive will not only help clean the system but it will also improve the performance and life of the system pump.



BAG SYSTEM

ID/793

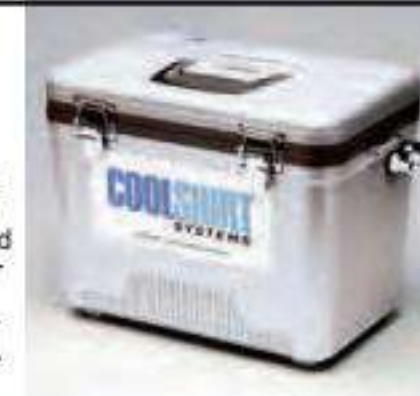
WATER COOLING SYSTEM PORTABLE FLEXIBLE BAG
Lightweight and water proof canvas denier bag with an internal 12 V pump. For use in all types of racing. Cooling time: 1/2h - 1h More accessories available. **Supply hose ID/797 sold separately.**



CLUB SYSTEM

ID/794

WATER COOLING SYSTEM CLUB SYSTEM RIGID BOX
23 lt capacity cooling unit with an internal pump which supplies water to the cooling underwear through 3 mt of double insulated hose with automatic shutoff/quick disconnects. Perfect from road courses to oval track racing. Cooling time: 6h More accessories available. **Bracket ID/801 included. Supply hose ID/797 sold separately.**



COOL SHIRT SYSTEM

ID/795

COOL SHIRT PRO AIR & WATER SYSTEM
Used in all levels of racing, it provides temperature controlled cooling to the driver's Cooling Shirt and cooled filtered air to the helmet. 2,5 mt of double water hose with automatic shutoff/quick disconnects attach the shirt to the unit. The kit includes the box with internal pump and blower, supply water hose (2,5mt), dual flow controller (ID/798), mounting tray (ID/801), air hoses, connectors and filters. Cooling time: 4h More accessories available.



FLOW CONTROLLER

ID/796

Controls the amount of refrigerating effect and gives the driver control of his/her comfort while in the race car by controlling the flow of cooling water through his/her shirt.



SUPPLY HOSE

ID/797

CoolShirt 10ft (3 mt) supply hose enables the Cool Shirt Bag or Club System Box to be stored further away from the driver if required. Inherently flexible, the Hose Supply is an ideal accessory to ensure future flexibility for the Cooling system. Also available as replacement for CoolShirt water cooling system damaged hoses.



FRESH AIR IN HOT AIR OUT
OMP REVOLUTIONARY COOLING SYSTEM

INTEGRATED QUICK CONNECTIONS
to be used with ID/793 system for short races; to be used with ID/794 system for longer races or go directly for top performances with the **Coolshirt PRO air and water system ID/795**, with additional ventilation for your helmet or seat (see page 57).

To be used only with quick connection in red colour. For more details visit [OMP web site](http://www.ompracing.com)



IAA/752 Back detail



JOHAN KRISTOFFERSSON
PSRX VOLKSWAGEN MOTORS PORT
SWEDEN



RACING

PAG. 54

VINTAGE

PAG. 99

MECHANICS

PAG. 107

KARTING

PAG. 250

GLOVES

GLOVES ONE ART

IB/763

TOP LEVEL RACING GLOVES
WITH TOTALLY PRINTABLE DESIGN
AVAILABLE ONLY UPON REQUEST

It is possible to customize the gloves.
Unlimited customization ways thanks
to the totally printed design.



SIZES XS-XL

sizing information on page 329

PRECURVED

INTERNAL SEAMS

INTERNAL SEAMS



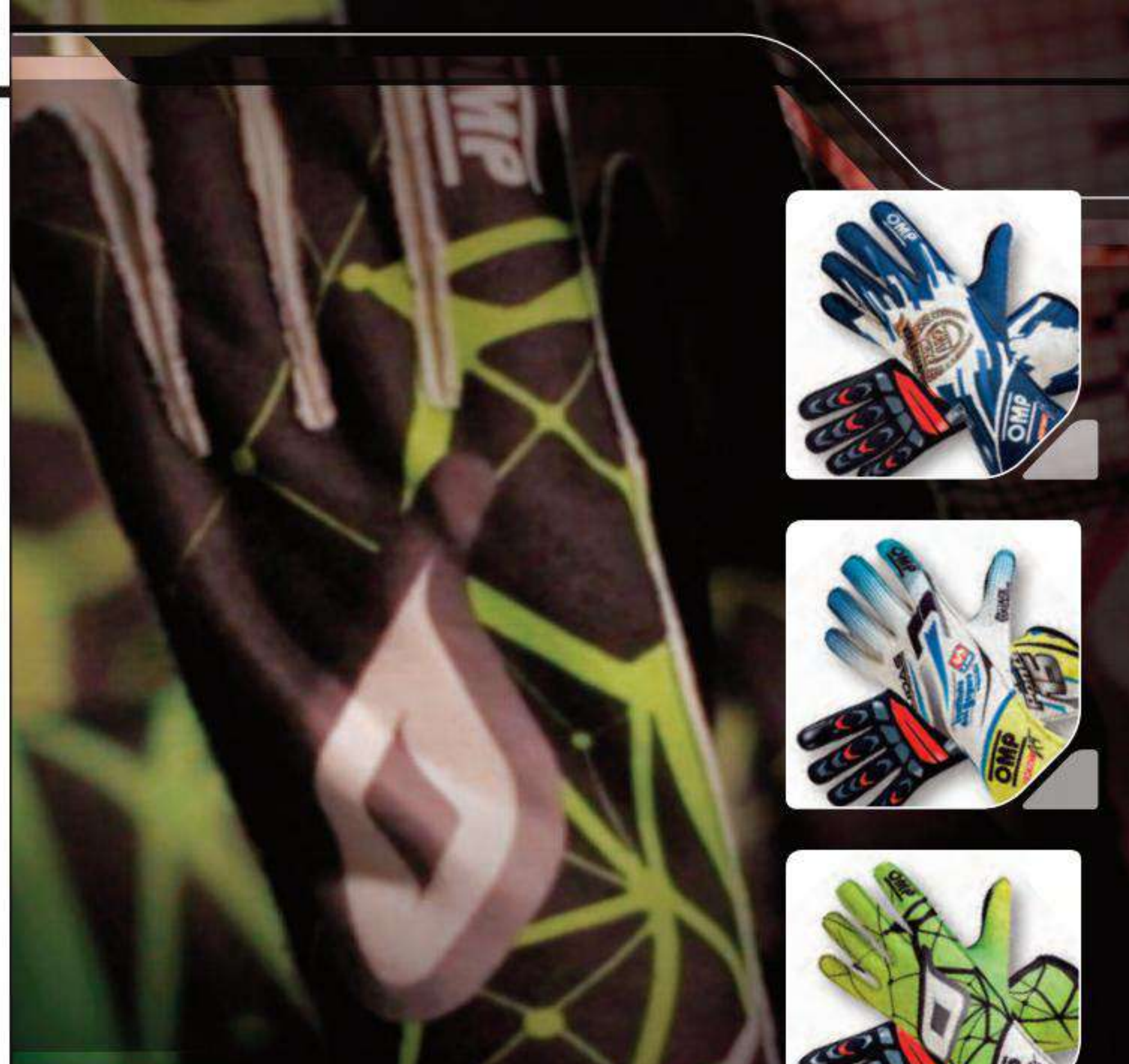
PALM WITH FIRE-RETARDANT
SILICONE RUBBER INSERTS
proven to give optimal grip,
lightness and sensitivity

SLANTED CUT

ELASTIC BAND
on the wrist



MANUFACTURER: OMP
MODEL: R-IB-001
FIA STANDARD: FIA 8856-2000



ONE Art

This model of glove can be customized through the use of images, photos and color blendings. This peculiar feature is possible thanks to our proprietary technology "OMP Print Art". In order to outline what spaces are at the customer's disposal for personalization, we show you the exploded view of those areas. Create your ONE ART glove right now on our website: www.ompracing.com

RACING GLOVES

GLOVES ONE EVO

IB/759

SUPER PROFESSIONAL GLOVES

Professional fireproof HI-TECH gloves based on F1 technology. Precurved for best fitting. Diagonal cut on the wrists + elastic bend on the wrists. Inside seams on thumbs and forefingers for highest precision on the controls, external seams on palm, middlefinger, ring-finger and pinkie for maximum comfort.



SIZES XS-XL
sizing information on page 329
PRECURVED MIXED
INTERNAL/EXTERNAL SEAMS



HAND AND FINGERS SILICONE WEBBING

EXTERNAL SEAMS
on pinkie, middle and ring finger for maximum comfort

INTERNAL SEAMS
in forefinger and thumb for highest precision on the controls

IB/759/GF/XX
fluo yellow/black/silver

ULTRA-GRIP
is used on the fingertips and forefingers for maximum grip on the steering wheels

LEATHER INSERTS
ensuring the correct grip on the shift paddle, buttons or steering wheels

LEATHER PALM
internal points in antislip silicone webbing

DOUBLE ELASTIC
wrist closure for secure fit

SLANTED CUT



MANUFACTURER: OMP
MODEL: ONE-EVO
HOM. NO: RS.29736
FIA STANDARD: FIA 8856-2000

IB/759/W/XX
white/black/red

RACING gloves

GLOVES ONE-S

IB/755E

SUPER PROFESSIONAL GLOVES

Fireproof precurved top level gloves. Diagonal cut on the wrists + elastic band on the wrists. Completely external seams for maximum comfort, fire retardant silicone rubber palm. Modern design.

SIZES: XS-XL
sizing information on page 329
PRECURVED
EXTERNAL SEAMS



PRECURVED FINGER

EXTERNAL SEAMS

IB/755E/NV/XX
black/white/fluo green



IB/755E/W/XX
black/white/grey



IB/755E/GF/XX
fluo yellow/black/grey



IB/755E/B/XX
navy blue/white/cyan



IB/755E/R/XX
red/white/black



IB/755E/W/XX
white/black/red

PALM WITH FIRE RETARDANT SILICONE RUBBER INSERTS
proven to give optimal grip, lightness and sensitivity

SELECTED GRIP AREA

ELASTIC BAND



MANUFACTURER: OMP
MODEL: ONE-S ONE-EVO 2015 MY
FIA STANDARD: FIA 8856-2000

SLANTED CUT

RACING gloves

GLOVES TECNICA EVO

IB/756E

SIZES XS-XL

sizing information on page 329
PRECURVED
EXTERNAL SEAMS



HIGH ADHERENCE GLOVES

Fire retardant silicone rubber palm for optimized grip and sensitivity, with localized leather inserts that provide impact protection to pressure points areas. Adjustable velcro strap closure for snug fitting at the wrist.



IB/756E/R/XX
red/black/white



IB/756E/NGI/XX
black/anthracite/fluo yellow



IB/756E/N/XX
black/white



IB/756E/BC/XX
navy blue/cyan



IB/756E/W/XX
white/black/red



MANUFACTURER: OMP
MODEL: TECNICA EVO
FIA STANDARD: FIA 8856-2000

GLOVES TECNICA-S

IB/764

SIZES S-XL

STRONG AND COMFORTABLE
PROFESSIONAL GLOVE



sizing information on page 329
INTERNAL SEAMS
SUITABLE FOR DRIVERS
AND MECHANICS'



IB/764/GF/XX
fluo yellow/black

Padded reinforcement



IB/764/N/XX
black/white



IB/764/R/XX
red/white



IB/764/BGI/XX
royal blue/fluo yellow



MANUFACTURER: OMP
MODEL: MISTRAL
FIA STANDARD: FIA 8856-2000

GLOVES FIRST EVO

IB/757E

SIZES S-XL

sizing information on page 329

PRECURVED

INTERNAL SEAMS

PROFESSIONAL GLOVES

Light and resistant glove with elastic band on the wrist, straight cut design, inner seams. Leather reinforcements on the top of the fingers and silicone palm for best grip and sensitivity.



MANUFACTURER: OMP
MODEL: FIRST EVO 2016 MY
FIA STANDARD: FIA 8856-2000



IB/757E/BC/XX
blue/cyan/grey



IB/757E/NGI/XX
black/fluo yellow/grey



IB/757E/R/XX
navy blue/white/black



IB/757E/N/XX
black/white/grey

GLOVES FIRST-S

IB/761E

SIZES XS-XL

sizing information on page 329

INTERNAL SEAMS

STRONG AND COMFORTABLE
PROFESSIONAL GLOVE



MANUFACTURER: OMP
MODEL: FIRST EVO 2016 MY
FIA STANDARD: FIA 8856-2000



IB/761E/N/XX
black



IB/761E/R/XX
red



IB/761E/B/XX
royal blue

PALM IN HIGHT GRIP
SILICONE RUBBER

PALM IN HIGHT GRIP
SILICONE RUBBER

ELASTIC WRIST
STOP

In compliance with FIA
standard 8856-2000
OMP
Year of manufacture 2017

GLOVES NEW RALLY

IB/702

STRONG AND DURABLE PROFESSIONAL GLOVE
Fireproof stretch fabric - suede leather. Ideal for use in harsh condition.

SIZES XS-XL
sizing information on page 329
IN COMPLIANCE WITH ISO 6940



IB/702/B/XX

blue



IB/702/R/XX

red



IB/702/N/XX

black



RACING GLOVES TABLE

PLEASE NOTE

The XX in each part number indicates the location of the size.

ONE ART				
HOMOLOGATION	PRECURVED	EXTERNAL SEAMS	PALM INSERT	SIZES
FIA 8856/2000	✓	internal	flame retardant silicone	XS XL

IB/763XX

ONE EVO				
HOMOLOGATION	PRECURVED	EXTERNAL SEAMS	PALM INSERT	SIZES
FIA 8856/2000 hand and fingers silicone webbing	✓	mixed external/internal	flame retardant silicone	XS XL

IB/759/BW/XX IB/759/GF/XX IB/759/N/XX IB/759/W/XX

ONE-S				
HOMOLOGATION	PRECURVED	EXTERNAL SEAMS	PALM INSERT	SIZES
FIA 8856/2000 SFI on request*	✓	external	flame retardant silicone	XS XL

IB/755E/NW/XX IB/755E/GF/XX IB/755E/B/XX IB/755E/R/XX IB/755E/W/XX IB/755E/NW/XX

TECNICA EVO				
HOMOLOGATION	PRECURVED	EXTERNAL SEAMS	PALM INSERT	SIZES
FIA 8856/2000	✓	external	flame retardant silicone and leather	XS XL

IB/756E/N/XX IB/756E/NGI/XX IB/756E/BC/XX IB/756E/R/XX IB/756E/W/XX

TECNICA-S				
HOMOLOGATION	PRECURVED	EXTERNAL SEAMS	PALM INSERT	SIZES
FIA 8856/2000		internal	silicone	XS XL

IB/764/N/XX IB/764/BGI/XX IB/764/R/XX IB/764/GF/XX

FIRST EVO				
HOMOLOGATION	PRECURVED	EXTERNAL SEAMS	PALM INSERT	SIZES
FIA 8856/2000	✓	internal	leather and silicone	S XL

IB/757E/BC/XX IB/757E/NGI/XX IB/757E/R/XX IB/757E/N/XX

FIRST-S				
HOMOLOGATION	PRECURVED	EXTERNAL SEAMS	PALM INSERT	SIZES
FIA 8856/2000		internal	silicone	XS XL

IB/761E/N/XX IB/761E/B/XX IB/761E/R/XX

NEW RALLY				
HOMOLOGATION	PRECURVED	EXTERNAL SEAMS	PALM INSERT	SIZES
ISO 6940		internal		S XL

IB/702/B/XX IB/702/R/XX IB/702/N/XX

*SFI on request only for special production



WRX - Niclas Gronholm - GRX Tareco team



RACING

PAG. 66

VINTAGE

PAG. 100

MECHANICS

PAG. 109

KARTING

PAG. 258



SHOES

HIGH LEVEL PROFESSIONAL RACE BOOTS WITH TOTALLY PRINTABLE DESIGN AVAILABLE ONLY UPON REQUEST
It is possible to customize the shoes by adding/removing the inner foot support to get more comfort/sensibility. Unlimited customization ways thanks to the totally printed design.



REAR BELLOW



PIVOT-LIKE HEEL DESIGN for smooth pedal actuation

NO-LACES elastic fit with adjustable velcro strap to give the best comfort



HIGH RESISTANT SIDE protection on tip

ONE PIECE OF SOFT FIRE RETARDANT FABRIC

HIGH RESISTANT SIDE protection on tip



MANUFACTURER: OMP
MODEL: R-IC-002
FIA STANDARD: FIA 8856-2000



RACING SHOES

This model of shoe can be customized through the use of images, photos and color blendings. This peculiar feature is possible thanks to our proprietary technology "OMP Print Art". In order to outline what spaces are at the customer's disposal for personalization, we show you the exploded view of those areas.

SHOES ONE EVO R

FORMULA

IC/805

SIZES 37 - 48

sizing information on page 329

PROFESSIONAL ULTRA-SOFT AND ULTRA-LIGHT SHOES SOFT KANGAROO LEATHER

Racing boot in soft leather and fabric with exclusive micro adjustment **ROTOR LACING** that ensures an easy and quick lacing. Very light and comfortable. Structure designed to increase the sensitivity on the pedal. High resistance and best grip. The perforated leather permits best breathability.



INJECTED SOLE for maximum grip and resistance to wear



PIVOT-LIKE HEEL DESIGN for smooth pedal actuation

PIVOT-LIKE HEEL DESIGN for smooth pedal actuation

EXCLUSIVE ROTOR-LACING for micro adjustment and a perfect fitting



IC/805246XX
dark blue/silver/cyan

PERFORATED LEATHER for maximum breathability



MANUFACTURER: OMP
MODEL: ONE EVO FORMULA
FIA STANDARD: FIA 8856-2000

NEW FOOT SUPPORT to reduce stress on the foot and provide maximum drive sensitivity

FOCUS ON

ONE EVO ROTOR LACING



HEEL SUPPORT in low density material for minimum weight

INJECTED SOLE for maximum grip and resistance to wear

COMFORT FOAM for pressure reduction

HIGH STIFFNESS INSERT for load spreading and fatigue reduction coupled with thermal insulation layer



IC/805099XX
fluo yellow/black/white



IC/805370XX
black/silver/fluo yellow



IC/805230XX
fluo green/black/white



IC/805071XX
black/white



IC/805020XX
white/black/silver

SHOES ONE EVO

IC/806

SIZES 36 - 48

sizing information on page 329

PROFESSIONAL TOP LEVEL

Perforated full grain leather for high breathability and fabric inserts. High resistant, injected sole, best grip. Velcro strap for best fitting. Structure designed to increase the sensitivity on the pedal. Thin laces to guarantee and permit a good sliding and a quick lacing of the boots.



REAR BELLOW



PIVOT-LIKE HEEL DESIGN for smooth pedal actuation

IC/806099XX
fluo yellow/black/white

THIN LACES for high sliding and quick lacing



PERFORATED LEATHER for maximum breathability

INJECTED SOLE for maximum grip and resistance to wear



MANUFACTURER: OMP
MODEL: IC/769E ONE EVO-MY2013
FIA STANDARD: FIA 8856-2000



IC/806020XX
white/black/silver



IC/806071XX
black/white



IC/806061XX
red/black/white

NEW FOOT SUPPORT to reduce stress on the foot and provide maximum drive sensitivity

SHOES ONE-S

IC/807

SIZES 37 - 48

sizing information on page 329

SFI 3.3/5 on request



PROFESSIONAL TOP LEVEL

Leather boot. Technical reinforcements on the tip and on the heel. Injected high resistant sole and best grip. Velcro strap for the best fitting of the ankle. Inner sole with plate reinforcement for highest sensitivity and reduction of the stress on the feet. Thin laces to guarantee and permit a good sliding and a quick lacing of the boots. Modern design.



MANUFACTURER: OMP
MODEL: IC/801 ONE-S
FIA STANDARD: FIA 8856-2000

SPECIAL VERSION:
RED SOLE, WHITE UPPER



INJECTED SOLE for maximum grip and resistance to wear

IC/807020XX
White/black/silver/red laces and sole

VELCRO STRAP for a best fitting of the ankle



THIN LACES for high sliding and quick lacing

TECNICAL REINFORCEMENTS on the tip and on the heel

INNER SOLE with plate reinforcement for highest sensitivity and reduction of stress on the feet.



IC/807061XX
red/white/black



IC/807244XX
dark blue/white/cyan



IC/807071XX
black/white/silver



IC/807099XX
fluo yellow/black/anthracite

BLACK SOLE
4 DIFFERENT UPPERS



SHOES **TECNICA EVO**

IC/803E

SIZES 37 - 48

sizing information on page 329

PROFESSIONAL BOOTS

Boots made of soft suede leather. High quality and resistant ultralight sole with inner reinforcement for maximum sensitivity and high protection. Made with a single piece of leather in order to guarantee maximum comfort and low weight. Features a new design and side protections on the tip.



ULTRALIGHT OUTSOLE CONSTRUCTION
with inner reinforcement

IC/803E073XX
black/red

SOFT MATERIAL

SOFT SUEDE



SIDE PROTECTION
on the tip



IC/803E071XX
black



IC/803E044XX
blue/fluo yellow

SHOES **FIRST EVO**

IC/809

SIZES 37 - 48

sizing information on page 329

PROFESSIONAL MID CUT BOOTS

Made of suede leather with an excellent quality/price ratio. Resistant sole with a round cutted heel in order to ease the rotation of the feet while driving. Velcro strap on the ankle for best fitting. Inner black knitted fabric. Reinforcements on the tip. Available in modern colors with fluo inserts.



ROUND CUTTED HEEL
in order to ease the rotation
on the feet while driving



MANUFACTURER: OMP
MODEL: IC/802 FIRST-S
FIA STANDARD: FIA 8856-2000

VELCRO STRAP
for a best fitting
of the ankle



IC/809182XX
anthracite/fluo yellow

SIDE PROTECTION
on the tip



IC/809086XX
anthracite/red



IC/809244XX
dark blue/cyan

SHOES

FIRST-S

IC/802

SIZES 37 - 48

sizing information on page 329

PROFESSIONAL MID BOOTS

Made of suede leather with excellent quality/price ratio. Internal black knitted fabric.



ROBUST AND RESISTANT sole with heel support in order to help the rotation movement of the foot during driving

IC/802071XX
black

CONFORTABLE SOFT SUEDE LEATHER



IC/802041XX
blue



IC/802061XX
red

SHOES

OMP SPORT

IC/816

SIZES 36 - 47

sizing information on page 329

ENTRY LEVEL RACE BOOTS

Made in soft, comfortable and lightweight microfiber. Exclusive resistant antislip rubber sole inspired by car's tyres.



RUBBER SOLE high grip in every condition and long-time resistance



IC/816071XX
black

ADJUSTABLE STRAP

LIGHTWEIGHT MICROFIBER



SHOES CO-DRIVER

IC/791E

SIZES 37 - 48

sizing information on page 329



CO-DRIVER SHOES

Co-driver boot made of water-repellent suede leather with inner soft fabric. Sole made of hydrocarbon resistant rubber, lace closure, ankle velcro strap.

Compatible with IC/100 gel anatomic insole for mechanics (sold separately).



SOLE MADE OF RESISTANT RUBBER, HYDROCARBON RESISTANT

RAINPROOF LEATHER

IC/791E041XX
blue



MANUFACTURER: OMP
MODEL: IC/788 M+S
FIA STANDARD: FIA 8856-2000



IC/791E061XX
red



IC/791E071XX
black

RACING SHOES TABLE

ONE ART						
HOMOLOGATION	HYDRO CARBONS RESISTANT SOLE	SHAPED BELLOWS	NEW FOOT SUPPORT CONCEPT	PERFORATED LEATHER	SIZES	
FIA 8856/2000	✓	✓	✓ maximum sensitivity	✓	37 48	 IC/819XX
ONE EVO R FORMULA						
FIA 8856/2000	✓	✓	✓ maximum sensitivity	✓	37 48	      IC/805246XX IC/805099XX IC/805230XX IC/805071XX IC/805020XX IC/805370XX
ONE EVO						
FIA 8856/2000	✓	✓	✓	✓	36 48	    IC/806061XX IC/806020XX IC/806071XX IC/806099XX
ONE-S						
FIA 8856/2000	✓	✓	✓	✓	37 48	     IC/807020XX IC/807061XX IC/807071XX IC/807244XX IC/807099XX
TECNICA EVO						
FIA 8856/2000	✓	✓	SOFT MATERIAL	✓	37 48	   IC/803E071XX IC/803E073XX IC/803E044XX
FIRST EVO						
FIA 8856/2000	✓				37 48	   IC/809182XX IC/809086XX IC/809244XX
FIRST-S						
FIA 8856/2000	✓				37 48	   IC/802071XX IC/802041XX IC/802061XX
OMP SPORT						
FIA 8856/2000	✓				36 47	 IC/816071XX
CO-DRIVER						
FIA 8856/2000	✓				37 48	   IC/791E071XX IC/791E041XX IC/791E061XX

PLEASE NOTE

The XX in each part number indicates the location of the size.

*SFI on request only for special production



RACING

PAG. 82



KARTING

PAG. 266

HELMETS

HELMETS

GP 8 EVO

SC785E

FULL FACE HELMET

Made in composite material. Lightweight, with soft and comfortable high breathability fire retardant internal lining, bordered strap with double ring clousure and high precision adjustable visor with easy block system. With air vents and intakes to ensure the best air ducting. Complete with Hans® safety device clips, clear visor and spoiler.

SIZES XS/XXL

sizing information on page 329
TWO SHELL SIZES

LIGHT COMPOSITE SHELL

NEW

AIR VENTS and intakes to ensure the best air ducting

REAR SPOILER

OPTIONAL VISOR ref. SC163

COMPLETE WITH HANS® safety device clips

EASY BLOCK SYSTEM

FIA APPROVED

MANUFACTURER: OMP
MODEL: GP8 EVO
HOM. NO: PH-067-18-C
FIA STANDARD: 8859-2015



REAR VIEW



LATERAL VIEW



FOCUS ON

GP8 EVO (SC785E) ACCESSORIES

AIR VENTS

Spare couple of front air vents

SC166

Spare couple of rear air vents

SC167

VISORS

Clear visor

SC160

Touring sun peak

SC174

Iridium gold visor

SC163

Dark visor

SC161

Iridium blue visor

SC162

LOCKING SYSTEM

SC168

SPOILER

Rear transparent spoiler (optional)

SC133

Rear black spoiler (included with the helmet)

SC172

SPARE VISOR

Movement pivot kit

SC164

SPARE SCREWS

For tear off

SC014

SPARE CHECK PADS

Size XXS-XXL (no picture).

SC169

SPARE TOP INNER LINING

Size XXS-XXL (no picture).

SC170

TEAR OFF KIT

5 PIECES

SC165



DIMENSIONS

110x60x30 mm
EASY MOUNTING

**SUPER PROFESSIONAL INTERCOM
DIGITAL ELECTRONIC
IMPROVED RELIABILITY.**

High quality sound and digital filtering.

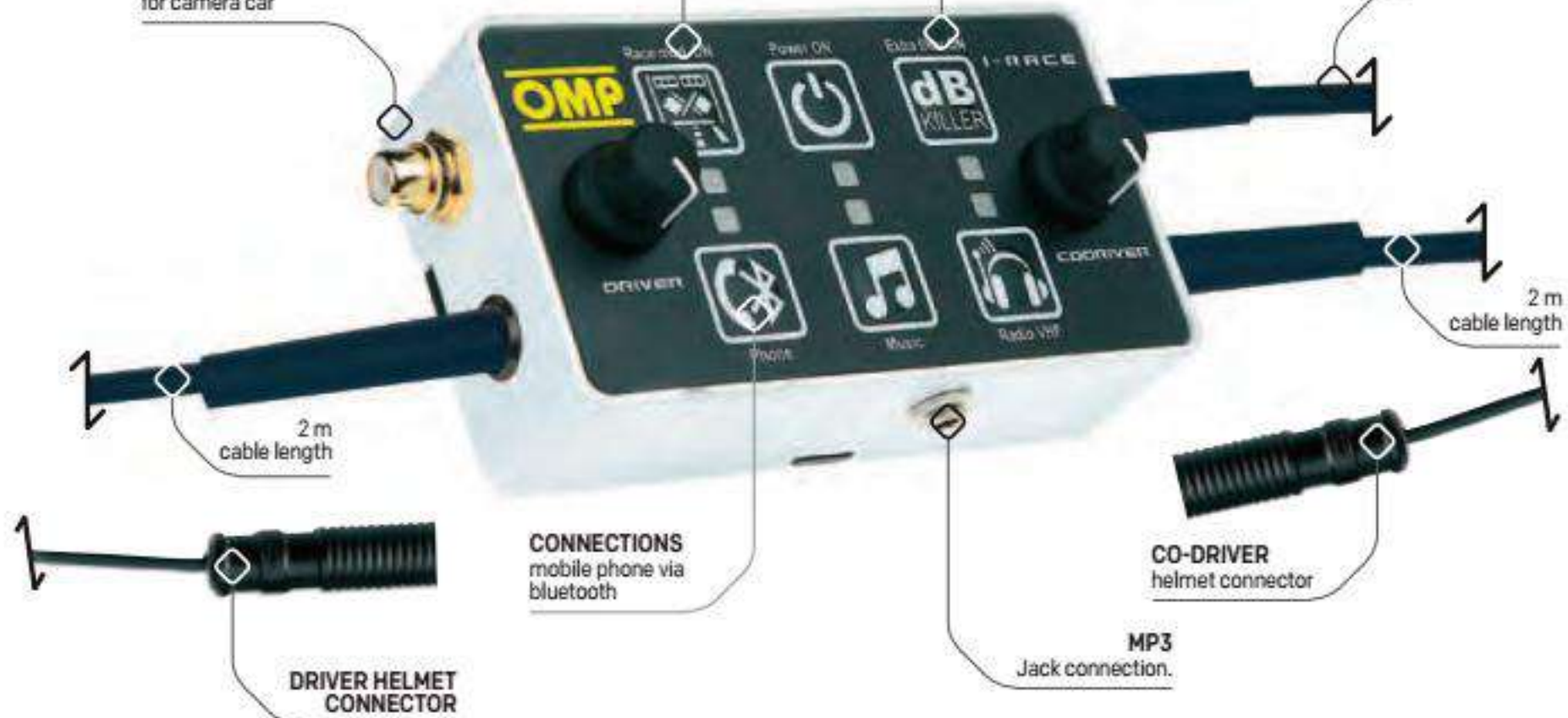
FRAME: aluminium case to shield electromagnetic interferences.

RACE MODE
excludes phone
connection, MP3
and VHF radio

DB KILLER
emodify the control
box's electronics
enabling extra filters
for loud environmen

OUTPUT
RCA output
for camera car

SUPPLY
12V power supply

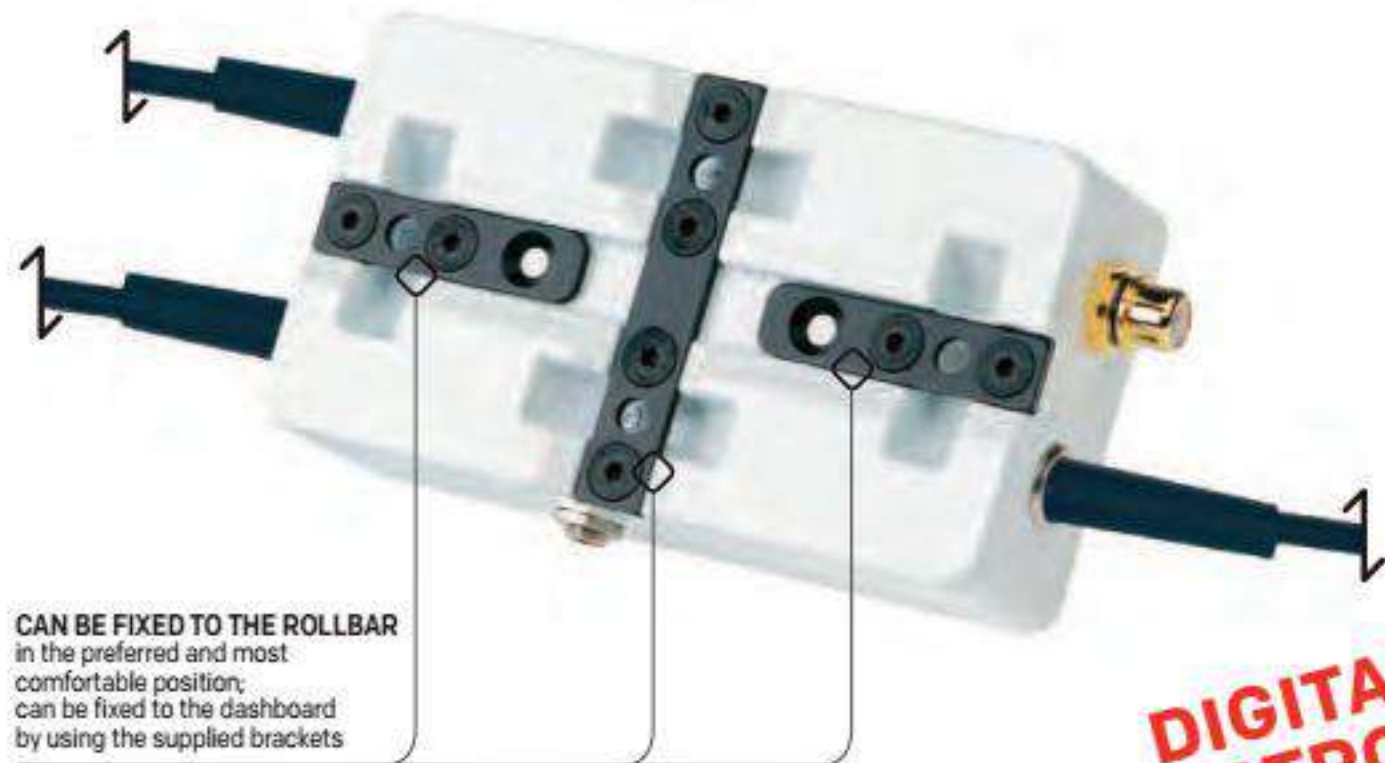


CONNECTIONS
mobile phone via
bluetooth

CO-DRIVER
helmet connector

**DRIVER HELMET
CONNECTOR**

**WITH FEMALE NEXUS CONNECTOR IN
ORDER TO BE COMPATIBLE WITH OMP
AND PELTOR INTERCOM SYSTEMS**



CAN BE FIXED TO THE ROLLBAR
in the preferred and most
comfortable position;
can be fixed to the dashboard
by using the supplied brackets

**DIGITAL
ELECTRONIC**

DIMENSIONS

125x60x35 mm
EASY MOUNTING

PROFESSIONAL INTERCOM

**REDESIGNED ELECTRONIC FOR IMPROVED PERFORM-
ANCE, INCREASED OUTPUT VOLUME (+30%) AND
ELECTRONIC INTERFERENCES REDUCTION.**

Fixable on rollbar or dashboard. Powered by 9V PP3
(not supplied) or by car battery (through JA/834 cable).

12V POWER SUPPLY



RCA AUDIO OUTPUT
to videocamera

SEPARATED VOLUME
setting knobs

CABLE LENGTH 2 M

MULTIPLE FIXING OPTIONS
roll bar or dashboard

9V BATTERY
power supply



HEADSET

JA/844



HEADSET. EXCELLENT INSULATION FROM EXTERNAL NOISE
Flexible microphone boom. Dynamic microphone with integrated noise reduction. Designed to be used with TECH-RACE intercom JA/856 or JA/856E and I-RACE JA/876. Compatible with most intercom units available on the market (adaptors may be needed see on page 87).

INTERCOM KIT

JA/858E



TECH-RACE SERIES: INTERCOM KIT FOR OPEN FACE HELMETS WITH WIRE MOUNTED NEXUS CONNECTION
Excellent insulation from external noise. High quality flexible microphone boom. Dynamic microphone with integrated noise reduction. Designed to be used with TECH-RACE intercom JA/856, JA/856E, JA/876. Compatible with most intercom units available on the market (adaptors may be needed see on page 97).

AUDIO CABLE

JA/830



Audio cable to connect the control box JA/876, JA/855 or JA/855E and JA/856 or JA/856E to the camera car.

POWER SUPPLY CABLE

JA/834



TECH-RACE SERIES: POWER SUPPLY CABLE.
Designed to connect the TECH-RACE JA/856 or JA/856E control box to the 12V car Power supply line.

WIRE EXTENSION

JA/829



TECH-RACE SERIES: WIRE EXTENSION
1,5 m long extension cable with Nexus plug. Compatible with TECH-RACE and I-RACE units (JA/876, JA/856, JA/856E) and with helmets JET10 (SC761E) and J8 series (only and SC794).

OTHER BRANDS HELMETS + OMP NEXUS CONTROL BOX

PELTOR HELMETS
male Nexus plug



ALL OMP NEXUS PLUG CONTROL BOX
JA/856 - JA/856E - JA/876

STILO HELMETS
female Nexus plug



JA/865



ALL OMP NEXUS PLUG CONTROL BOX
JA/856 - JA/856E - JA/876

OTHER BRANDS CONTROL BOX - OMP HELMETS

PELTOR CONTROL BOX



ALL OMP NEXUS PLUG HELMETS

STILO CONTROL BOX
male Nexus plug



JA/852



ALL OMP NEXUS PLUG HELMETS

STILO UNIT OMP HELMET CONNECTING KIT

JA/852



Interface kit for connecting OMP helmets Jet 10 (SC761, SC761E) or J8 (SC794) and related headsets (JA/844, JA/857E, JA/858E, JA/878) to STILO intercom units

OMP UNIT STILO HELMET CONNECTING KIT

JA/865



Interface kit for connecting Stilo helmets to both TECH-RACE and I-RACE intercom units (JA/856, JA/856E, JA/855, JA/876).



INTERCOM CONTROL BOX RACER LINE

Without loudspeakers and microphone.

One single driver/co-driver volume control. Powered by 9V PP3 battery (not supplied) or by car battery using JA/851 cable - can be fixed to rollbar and dashboard. Can be used with loudspeakers and microphone kit (JA/849E, JA/854E) or headsets JA/850E.

DIMENSIONS

125x60x35 mm



B-RACE ACCESSORIES

HEADSET

JA/850E

Headset with adjustable microphone boom complete with loudspeakers and STEREO plug. Compatible with intercom control box JA/874.



MICROPHONE KIT

JA/849E

Headset with adjustable microphone boom complete with loudspeakers and STEREO plug. Compatible with intercom control box JA/874.



MICROPHONE KIT

JA/854

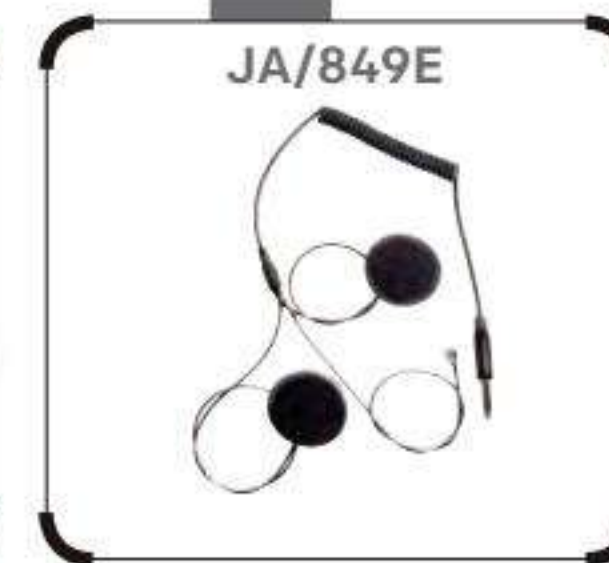
Microphone kit for single helmet. To be used with control box JA/874. Compatible with JET7 JET7S helmets.



ADAPTOR CABLE

JA/851

12V adaptor cable for intercom control box JA/874 for connection with the car (alternatively to battery 9V DC).



HELMETS

CIRCUIT

SC611E

SIZES XS-XXL

sizing information on page 329

HOMOLOGATION
ECE 22.05

FULL FACE KARTING HELMET
Full face thermoplastic helmet, velvet lining (not fireproof), step setting visor.

AIR VENTS
and intakes to ensure the
best air ducting

NEW COLOUR
MATT BLACK

SC611E170XX
matt black



AIR VENT



SC611E020XX
white



HELMETS

STAR

SC607E

SIZES S-XXL

sizing information on page 329

HOMOLOGATION
ECE 22.05

OPEN FACE KARTING HELMET
Open face helmet with ABS shell, velvet lining not fireproof, with revomable peak.

NEW COLOUR
MATT BLACK

SUN PEAK

SC607E170XX
matt black



SC607E020XX
white



CIRCUIT (SC611E)

AIR VENTS

Spare couple of front air vents

SC150

Spare front air vent

SC151

Spare rear air vent

SC152

VISORS

Clear visor
(included with the helmet)

SC148

Dark visor

SC149



SPARE VISOR

Movement pivot kit

SC154

STAR (SC607E)

NB: Spare parts for old helmet models are still available on our website www.ompracing.com, in the helmets section.

SUN PEAK

white sun peak

SC178

black sun peak

SC153



NECK COLLAR

ID/789

Anatomic, round neck collar knit Nomex® for improved comfort. Inserts: Nomex® fabric. Padded: high density foam. One size.



ID/789061
Red



ID/789041
Blue



ID/789071
Black

NECK SUPPORT

ID/787

Neck support in knit Nomex®. Padded: high density foam. One size.



ID/787/N
Black

HELMET HOOK

NA/1871



Helmet hook in steel. To be attached to the roll cage with supplied metal clamps.

HELMET NET

NA/1858



Helmet carrying net in polyester. Suitable for all cars, can hold 2 helmets.

HANS STRAP BORDER

SD20



Hans strap border in rubber (pair), with sticker.

HELMET BAG

ORA/2972

Very resistant helmet carrying bag. Studied for holding also the Hans® helmet device. With a removable internal visor pocket, removable adjustable shoulder strap and a practical handle. H 33 x L 47 x W 29 Measures in cm



HELMET BOX

NA/1864

Rally helmet box velvet, with wide side pockets. Internal sizes single box 34x26x29cm Colour: black



HANS® ACCESSORIES

SC726

Hans® helmet anchor (male screws only - the female parts is inside the helmet). For one helmet (to be used exclusively with models SC754 - SC756 - SC761 - SC759 - SC769 - SC771 - SC772 - SC777K - SC785E - SC785EK). According to FIA 8858-2010, 8860 and 8859-2015 rules.





SUITS

PAG. 96

GLOVES

PAG. 99

SHOES

PAG. 100

VINTAGE EQUIPMENT

SUIT ONE VINTAGE

IA01842

SIZES 46-64

sizing information on page 329
SFI 3.2A/5 on request

RETRO RACING SUIT STYLE

Typical style worn by the great champions of F1 in the mid 70s. Produced with the same ultra-light fabrics of the new ONE EVO and ONE-S suits.



SHAPED COLLAR

PRE-CURVED SLEEVES

SLIM FIT
and ultra-flat,
anti-rubbing seams.

OUTER POCKET

IA01842071XX

black with white stripes



MANUFACTURER: OMP
MODEL: ONE BASIS
HOM. NO: RS.224.32
FIA STANDARD: FIA 8856-2000



IAA01842020XX

white with red stripes

VINTAGE style

SUIT LE MANS

IA01823F

SIZES: 46-64

sizing information on page 329
SFI 3.2A/5 on request

CARE AND REFINEMENT TYPICAL OF THE 1960S

External layer made of satin
Nomex®. Lining in a comfort-
able knit fabric.



MANUFACTURER: OMP
MODEL: LE MANS
HOM. NO: RS.163.08
FIA STANDARD: FIA 8856-2000



STITCHING AND DETAILS
in brown on cream satin
fabric for real vintage
style revival.

DETAILS OF THE BIAS
CUT CLOSURE
and belt loops
typical of the suits
worn by the big
names of F1 at the time.

OUTER POCKET

IA01823F022XX

cream

DOUBLE STITCHING

ELASTIC

VINTAGE style

SUIT CLASSIC

IA01816F

OVERALL IN TYPICAL '70S DESIGN

Outer layer in aramid fiber.
Inner layer in comfortable
breathable knitted fabric.

SIZES 46-64
sizing information on page 329
SFI 3.2A/5 on request



MANUFACTURER: OMP
MODEL: FIRST 2
HOM. NO: RS.088.05
FIA STANDARD: FIA 8856-2000



INNER COLLAR
in soft knitted fabric
for maximum comfort.

2 VERTICAL STRIPES
on the chest

FLOATING ARMS
with elastic bellows.

OUTER POCKET

IA01816F042XX
navy blue



IA01816F023XX
cream



ELASTIC

GLOVES DIJON

IB/746

SIZES S-XL

sizing information on page 329

VINTAGE GLOVE
'70s design with fabrics and quality of last
generation gloves. Fire-resistant fabric
with stretch suede inserts. Internal seams.



MANUFACTURER: OMP
MODEL: DIJON
FIA STANDARD: FIA 8856-2000

SUEDE LEATHER INSERTS
on palm and fingers
for very good grip

IB/746/N/XX
black



IB/746/B/XX
navy blue



IB/746/M/XX
cream/brown



ELASTIC WRIST STOP

GLOVES TAZIO

IB/747

SIZES S-XL

sizing information on page 329

VINTAGE GLOVE
Smooth leather
and cotton fabric.

COTTON FISHNET FABRIC

SMOOTH LEATHER PALM

IB/747/N/XX
black



IB/747/M/XX
brown



STRAP WITH VELCRO

BOOTS CARRERA HIGH

IC/782

HIGH QUALITY VINTAGE BOOTS

Polished leather lined in soft jersey. Printed rubber sole resistant to hydrocarbons. High quality treated leather for an ultra-soft feel.

Accurate hand-made production.



MANUFACTURER: OMP
MODEL: CARRERA
FIA STANDARD: FIA 8856-2000

SIZES: 37-46
sizing information on page 329

IC/782014XX
dark brown



IC/782015XX
brown



HIGH SENSITIVITY SOLE

BOOTS CARRERA LOW

IC/784

HIGH QUALITY VINTAGE BOOTS

Polished leather lined in soft jersey. Printed rubber sole resistant to hydrocarbons. High quality treated leather for an ultra-soft feel.

Accurate hand-made production.



MANUFACTURER: OMP
MODEL: NURBURGRING
FIA STANDARD: FIA 8856-2000

SIZES: 37-48
sizing information on page 329

IC/784079XX
black



IC/784015XX
brown



ACCESSORIES

REIMS

SC067

VINTAGE CAP

Made entirely of soft smooth skin. Rear loop with button for fixing goggles. SIZES: S-XL



THRUXTON

SC066

VINTAGE GOOGLES

Made of faux leather with metal detail.



FOR VINTAGE SEATS SEE PAGES 146/147
FOR VINTAGE STEERING WHEEL SEE PAGE 216



MECHANICS'

SUIT BLAST EVO

NB1580

SIZES 44-64

sizing information on page 329
1 LAYER

PROFESSIONAL MECHANICS SUIT

Professional mechanics suit made of lightweight and resistant polyteter and cotton fabrics. The knitted elastic fabric inserts on back and hips and the comfortable armbellows guarantees the best freedom of movements. Aggressive design with racing-inspired shoulders and highlighted stitching on arms and legs.

NEW



POCKET with zip

SEVERAL PRATICAL POCKETS to store tools and parts

NB158073XX
black/red

REMOVABLE PADDED KNEE PADS new ergonomic shape and new material



NB1580071XX
black/white

ANKLES CLOSURE with velcro strap



SUIT BLAST

NB1578

SIZES 44-64

sizing information on page 329
1 LAYER

SUPER RESISTANT MECHANICS OVERALL

Polyester - cotton fabric resistant to repeated washing and most stubborn stains.



ARMBELLOWS in knitted elastic fabric.

NB1578041XX
blue

LARGE POCKETS on the front.

KNEE PADS removable.



NB1578061XX
red



NB1578071XX
black

ELASTIC

VELCRO closure



SUIT SUMMER

NB1579

SUPER RESISTANT MECHANICS OVERALL

Lightweight and durable polyester - cotton fabric.

1 LAYER SIZES: 44-64

NB1579C

FOR CHILDREN
CHILDREN SIZES:
height 120-130-140-150
sizing information on page 329

ALSO FOR CHILDREN!



ARMBELLOWS
in knitted elastic fabric.

INNER POCKET

NB1579061XX

red

POCKETS
for holding tools.



NB1579041XX

blue



NB1579071XX

black

KNEE PADS
removable.

ELASTIC

VELCRO
closure



GLOVES WORKSHOP EVO

NB/1896

SIZES: S-XXL

sizing information on page 329

TECHNICAL SHORT GLOVE FOR PROFESSIONAL USE

Back in technical elastic fabric with leather and silicon rubber design. Improved fitting and softer fabrics.

NEW



TECHNICAL ELASTIC FABRIC

THIN SYNTHETIC LEATHER

GLOVES WORKSHOP

NB/1886

SIZES: S-XL

sizing information on page 329

TECHNICAL SHORT GLOVE FOR PROFESSIONAL USE



ADJUSTABLE STRAP

FLUO PRO MECH GLOVES

IB/758

SIZES: S-XL
HOMOLOGATION:
FIA 8856-2000
sizing information on page 329

HIGH PROTECTION
reinforcement



MANUFACTURER: OMP
MODEL: PRO MECH GLOVES
FIA STANDARD: FIA 8856-2000



SHORT TECHNICAL GLOVE

NB/1885 SIZES: M (S-M) - L (L-XL)

sizing information on page 329

Polyester / cotton. PVC rubber dot inserts. Closure with elastic slipout-proof.



LONG MODEL GLOVE

NB/1868 SIZES: M (S-M) - L (L-XL)

sizing information on page 329

High heat resistance. Kevlar made.



INNOVATIVE MECHANICS SHOES
Realized in cooperation with
LOTTO SPORT ITALIA®



SIZES S-XL
sizing information on page 329
SYNTHETIC LEATHER INSERTS
IN CARBON FIBER LOOK

SIZES:
38,5-39-40-40,5-41 42-42,5
43-43,5-44 45-45,5-46-47



ORC3404076XX
black/white



ORC3404073XX
black/red



ORC3404084XX
grey/white



MIDSOLE IN EVA
UPPER IN MESH

APRON

NB/1879

Cotton apron, features a small tool pouch and large pockets.
ONE SIZE



NB/1879061 Red
 NB/1879 Black

APRON PLUS

NB/1894

Black professional apron for mechanics.
ONE SIZE



SLEEVES

NB/1872

Aluminized sleeves, offering excellent protection against heat.
ONE SIZE





Alfa Romeo Sauber F1 Team

LOOP HOLDER

NB/1892

Back loop holder for radio and tools, belt high (three loops).

NB/1891

Front loop holder for radio and tools (two loops).



NUT HOLDER ON BELT

NB/1890R

NB/1890L

Right or left.



RADIO CABLET SLOT

NB/1893R

NB/1893L

With flap coverage. Right or left.



NUT HOLDER ON CHEST

NB/1889R

NB/1889L

Right or left.



INSIDE POCKET

NB/1887R

Right. Not available for FIA suits.

NB/1887L

Left. Not available for FIA suits.



BAND HOLDER

NB/1888R

NB/1888L

Right or left.



ENDURANCE INSOLE

IC/100

Gel anatomic insole (spare parts) for ENDURANCE shoes. Guarantees higher comfort and stability, maximum cushioning against impact forces. Sizes: 37-46

RECCOMENDED FOR IC/791E SHOES



TECNICA-S GLOVES

IB/764

Strong and comfortable professional glove.

- Colours: black, red, blue/yellow, fluo yellow.
- Sizes: S-XL
- Homologation: FIA 8856-2000



PIT BOARDS

PROFESSIONAL

KC/1068

Aluminium frame.
Dimensions: 100x72 cm
Complete with 42 cards of numbers, letters and symbols measuring 23x14 cm and one customizable plate 23x65 cm supplied in a synthetic leather bag, which stores sidely on the aluminium frame when not being used.



TRIPLA

KC/1067

Aluminium frame.
Dimensions: 72x72 cm
Complete with 24 cards of numbers, letters and symbols measuring 23x14 cm



KC/1069

42 spare cards for pit boards KC/1067 and KC/1068, supplied in a synthetic leather carrying pouch.



CO-DRIVER

CO-DRIVER BAG

ORA/2967

Light weight sporty brief bag with removable shoulder strap.
DIMENSIONS: 44,5x6x25 cm



CHRONOMETERS

HANDHELD STOPWATCH

KB/1041



CHRONOGRAPH: with partial and total elapsed times up to 9h 59'59"99, lap times.
CLOCK: with alarm clock and Pacer dater.
TIMER: with countdown function.

LIQUID CRYSTAL HANDHELD STOPWATCH

KB/1040



CHRONOGRAPH: with split, total elapsed times up to 9h, 59', 59", 99 seconds.
CLOCK: displays hours, minutes, seconds, alarm clock with 12/24h option.
TIMER: with presettable countdown timer. 60 lap memory and lap counter. Shows fastest lap, slowest lap and average lap times.
60 MEMORY

CO-DRIVER PLUS

ORA/2966

Lightweight backpack with organizational features included plenty of internal and external accessory pockets.
DIMENSIONS: 40x34x20 cm



CO-DRIVER'S PAD

NA/1863

NA/1862

Size: A4
Pages: 130

Size: 17,5x22cm
Pages: 130





SEATS

PAG. 116



SAFETY HARNESSES

PAG. 156



ROLL BARS

PAG. 182



EXTINGUISHERS

PAG. 188



STEERING WHEELS

PAG. 200

CAR COMPONENTS



RACING

PAG. 118



VINTAGE

PAG. 146



OFF ROAD

PAG. 148



COMFORT

PAG. 150



KARTING

PAG. 274

SEATS



Art

RACING SEATS

This model of seat can be customized through the use of images, photos and color blendings. This peculiar feature is possible thanks to our proprietary technology "OMP Print Art". In order to outline what spaces are at the customer's disposal for personalization, we show you the exploded view of those areas.

FOCUS ON CARBON LITE SERIES

THE LIGHTEST 8862 SEATS RANGE IN THE WORLD, COVERING EVERY POSSIBLE NEED: GT, GT3 WITH ROLL CAGE ATTACHMENT, RALLY



27% LIGHTER
33% STIFFER
than standard model

HTE-ONE
HRC-ONE

- State of the art computational structural analysis for carbon fiber parts.
- Use of special carbon impregnated fabrics with the highest mechanical properties, exclusive for OMP seats.
- Combined with F1-level production processes.

SEATS HTE-ONE LITE

HA/807

HIGH RESISTANT AND ULTRA LIGHTWEIGHT CARBON FIBER SEAT

realized with exclusive technology for maximum resistance and lightness. Airtel and velour upholstery. Upholstering customized on demand. HC/880 seat bracket required (not included).



HSC PATENT COMPATIBLE

HIGH RESISTANT AND ULTRALIGHT SHELL
W SIDE FIXING POINTS
HANS® COMPATIBLE
FIA 8862-2009

NEW

FIA APPROVED

MANUFACTURER: OMP
MODEL: TBD
HOM. NO.: TBD
FIA STANDARD: FIA 8862-2009



LARGER SHOULDER harness slots

**ULTRALIGHT VERSION
-27% WEIGHT**

REMOVABLE CUSHIONS
back, base



Measure in mm
sizing information on page 140

SEATS HTE-ONE

HA/761E

SAFETY LEVEL COMPARABLE TO FORMULA 1 CARS
+300% INCREASED RESISTANCE
compared to standard 8858/99, with exclusive technology for maximum resistance and lightness. Upholstering customized on demand. HC/880 seat bracket required (not included).

LIGHTWEIGHT CARBON FIBER SHELL
W SIDE FIXING POINTS
HANS® COMPATIBLE

FIA 8862-2009



HSC PATENT COMPATIBLE

LARGER SHOULDER harness slots

FIA APPROVED

MANUFACTURER: OMP
MODEL: HTE ONE
HOM. NO.: AS.00710
FIA STANDARD: FIA 8862-2009



REMOVABLE CUSHIONS
back, base

REMOVABLE CUSHION
split leg



Measure in mm
sizing information on page 140

HTE-ONE XL HA/798

Same characteristics as HA/761E
HC/928 seat bracket required.
HC/893 HSC PATENT not included.



HSC PATENT COMPATIBLE

**XL VERSION
LARGER AND HIGHER**

FIA APPROVED

MANUFACTURER: OMP
MODEL: HTE ONE XL
HOM. NO.: AS.06717
FIA STANDARD: FIA 8862-2009



HTE-ONE S HA/801/N

Same characteristics as HA/761E. HC/880 seat bracket required (not included).

CARBON AND FIBERGLASS VERSION

FIA APPROVED

MANUFACTURER: OMP
MODEL: HTE ONE S
HOM. NO.: AS.06413
FIA STANDARD: FIA 8862-2009



SEATS HRC-ONE LITE

HA/800

ULTRA LIGHTWEIGHT CARBON FIBER SEAT

designed to allow installation and comfortable driving position also in GT cars with reduced internal room. Airnet and velour upholstery. HC/929 bracket required. HC/893 HSC PATENT not included.

NEW

HIGH RESISTANT AND ULTRALIGHT SHELL
W SIDE FIXING POINTS
HANS® COMPATIBLE

FIA 8862-2009



HSC PATENT COMPATIBLE

ULTRALIGHT VERSION
-27% WEIGHT

FIA APPROVED

MANUFACTURER: OMP
MODEL: TBD
HOM. NO: TBD
FIA STANDARD: FIA 8856-2000

LARGE SHOULDER HARNESS SLOT



REMOVABLE CUSHIONS
back, base

REMOVABLE CUSHION
split leg



Measure in mm
sizing information on page 140

SEATS HRC-ONE

HA/789

SAFETY COMPARABLE TO FORMULA 1 CARS

compared to standard 8858/99, with exclusive technology for maximum resistance and lightness. Designed to allow installation and comfortable driving position also in GT cars with reduced internal room.



HSC PATENT COMPATIBLE

Airnet and velour upholstery (customized on demand).

HC/907 seat bracket required (not included).

FIA APPROVED

MANUFACTURER: OMP
MODEL: HRC ONE
HOM. NO: AS.033.14
FIA STANDARD: FIA 8862-2009



Measure in mm
sizing information on page 140

REMOVABLE CUSHION
split leg



CARBON FIBER SHELL
W SIDE FIXING POINTS
HANS® COMPATIBLE
FIA 8862-2009

REMOVABLE CUSHIONS
back, base

HRC-ONE LITE RC

HA/805

LIGHTWEIGHT CARBON FIBER SEAT

designed to allow installation and comfortable driving position also in GT cars with reduced internal room. Airnet and velour upholstery.



HSC PATENT COMPATIBLE

HRC ONE LIGHT SEAT VERSION WITH TWO ATTACHMENT POINTS TO THE ROLL CAGE (MANDATORY REQUIREMENT FOR GT3 CARS HOMOLOGATED AFTER 1ST JANUARY 2019)

FIA APPROVED

MANUFACTURER: OMP
MODEL: TBD
HOM. NO: TBD
FIA STANDARD: FIA 8856-2000

NEW

CARBON FIBER SHELL
W SIDE FIXING POINTS
HANS® COMPATIBLE
FIA 8862-2009



SEATS HRC-R CARBON AIR HA/786/N

PREIMPREGNATED CARBON FIBER VERSION

COMPLETE WITH AIR COOLING KIT (HC/913) AND PREFORATED BACK CUSHION (HB/703)

Designed to allow installation and comfortable driving position also in GT cars with reduced internal room. Upholstered in high breathability Airnet material. Fits in vehicles with compact cockpits.

The velvet side is thought for the application of containment cushion, which are available in 2 sizes (M or S) see on page 143 ref. HB/701

LARGE SHOULDER HARNESS SLOT

LIGHTWEIGHT CARBON FIBER SHELL
W SIDE FIXING POINTS
HANS® COMPATIBLE



HSC PATENT COMPATIBLE



FIA APPROVED

MANUFACTURER: OMP
MODEL: HRC-R AIR
HOM. NO: CS.29533
FIA STANDARD: FIA 8855-1999

PERFORATED CUSHION HB/703

SEAT CUSHION also available in thicker version (50mm) ref. HB/702

DOUBLE LEG COUSHION



Product financed in cooperation with resources POR CRO Region of Liguria 2007-2013

RACING seats

SEATS HRC-R CARBON HA/788

CARBON FIBER VERSION

Designed to allow installation and comfortable driving position also in GT cars with reduced internal room. Upholstered in high breathability Airnet material. Fits in vehicles with compact cockpits.

The velvet side is thought for the application of containment cushion, which are available in 2 sizes (M or S) see on page 143 ref. HB/701

The base cushion is also available in thicker version (50mm) see on page 143 ref. HB/702

LARGE SHOULDER HARNESS SLOT

CARBON FIBER SHELL
W SIDE FIXING POINTS
HANS® COMPATIBLE



HSC PATENT COMPATIBLE



FIA APPROVED

MANUFACTURER: OMP
MODEL: HRC-D
HOM. NO: CS.29613
FIA STANDARD: FIA 8855-1999

REMOVABLE CUSHIONS

SEAT CUSHION also available in thicker version (50mm) ref. HB/702

DOUBLE LEG COUSHION



Product financed in cooperation with resources POR CRO Region of Liguria 2007-2013

RACING seats

SEATS HRC-R FIBERGLASS HA/793

PROFESSIONAL RACING SEAT
designed to allow installation and comfortable driving position also in GT cars with reduced internal room. Airnet and velour upholstery.



HSC PATENT COMPATIBLE



PREDRILLED SHELL FOR AIR COOLING KIT HC/913



GEL COATED FIBERGLASS SHELL
W SIDE FIXING POINTS
HANS® COMPATIBLE

LARGER SHOULDER harness slots

SIDE HEAD protection

REMOVABLE CUSHIONS

SEAT CUSHION
also available in thicker version (50mm) ref. HB/702

DOUBLE LEG COUSHION

HRC-R FIBERGLASS XL HA/794/N

Same characteristics as HA/793
XL VERSION LARGER AND HIGHER



HSC PATENT COMPATIBLE



PREDRILLED SHELL FOR AIR COOLING KIT HC/913



FIA APPROVED
MANUFACTURER: OMP
MODEL: HRC-FIBERGLASS AIR
HOM. NO: CS.30734
FIA STANDARD: FIA 8855-1999



Measure in mm
sizing information on page 140

Product financed in cooperation with resources POR CRO Region of Liguria 2007-2013

SEATS PROTOTIPO-R HA/745

IDEAL SEAT FOR GT CARS
with ultralight carbon shell. Large shoulder harness slots to accommodate various heights. High side bolsters for lateral leg support and maximum protection. Head, back, side, base and splitted leg cushions are removable to allow maximum individual seating comfort. Upholstered entirely in velour. Compatible with Hans device.

CARBON FIBER SHELL
W SIDE FIXING POINTS
HANS® COMPATIBLE

FIA APPROVED
MANUFACTURER: OMP
MODEL: MCC/PROTOTIPO
HOM. NO: CS.319.04
FIA STANDARD: FIA 8855-1999

REMOVABLE CUSHIONS
head, back, lateral and base

HIGH SIDE BOLSTERS
for lateral leg support

SPLIT LEG RESTS
to allows maximum individual seating comfort



SHAPED SAFETY HEAD REST



Measure in mm
sizing information on page 140

SEATS HTE-R

HA/772E/N

PROFESSIONAL RACING SEAT
upholstering in high breathable
Airnet material.



HSC PATENT
COMPATIBLE

LARGE SHOULDER
HARNESS



MANUFACTURER: OMP
MODEL: HTE FIBERGLASS
HOM. NO.: CS.384.06
FIA STANDARD: FIA 8855-1999



REMOVABLE CUSHIONS
back, base, split leg



GEL COATED FIBERGLASS SHELL
W SIDE FIXING POINTS
HANS® COMPATIBLE

SHAPED SAFETY
headrest

IMPROVED
BACK SUPPORT



Measure in mm
sizing information on page 140

HTE-R XL HA/771E/N

Same characteristics
as HA/772E



HSC PATENT
COMPATIBLE

XL VERSION
LARGER AND HIGHER



MANUFACTURER: OMP
MODEL: HRC FIBERGLASS XL
HOM. NO.: CS.230.09
FIA STANDARD: FIA 8855-1999



SEATS HTE-R CARBON

HA/768E/N

PROFESSIONAL RACING SEAT
Upholstered in high breathable
Airnet material.

CARBON FIBER
SHELL VERSION



MANUFACTURER: OMP
MODEL: HTE CARBON
HOM. NO.: CS.346.05
FIA STANDARD: FIA 8855-1999



CARBON FIBER SHELL
W SIDE FIXING POINTS
HANS® COMPATIBLE



HSC PATENT
COMPATIBLE



Measure in mm
sizing information on page 140



SEATS HTE-R CARBON XL

HA/779E/N

PROFESSIONAL RACING SEAT
Upholstered in high breathable
Airnet material.

CARBON FIBER
SHELL XL VERSION



MANUFACTURER: OMP
MODEL: HTE CARBON XL
HOM. NO.: CS.182.06
FIA STANDARD: FIA 8855-1999



CARBON FIBER SHELL
W SIDE FIXING POINTS
HANS® COMPATIBLE



HSC PATENT
COMPATIBLE



Measure in mm
sizing information on page 140



SEATS HTE-R 400

HA/780E/N

PROFESSIONAL RACING SEAT
upholstered in high breathable Airnet material.

SPECIAL VERSION FOR CARS WITH SMALL SPACE IN THE UPPER PART

LARGE SHOULDER HARNESS

400

GEL COATED FIBERGLASS SHELL
W SIDE FIXING POINTS
HANS® COMPATIBLE



HSC PATENT COMPATIBLE

SHAPED SAFETY headrest



MANUFACTURER: OMP
MODEL: HTE 400
HOM. NO: CS.263.12
FIA STANDARD: FIA 8855-1999

IMPROVED BACK SUPPORT

REMOVABLE CUSHIONS
back, base, split leg



Measure in mm
sizing information on page 140

SEATS WRC-R

HA/773E/N

PROFESSIONAL RACING SEAT
Upholstered in high breathable Airnet material.



MANUFACTURER: OMP
MODEL: WRC FIBERGLASS WRE
HOM. NO: CS.183.06
FIA STANDARD: FIA 8855-1999

LARGER SHOULDER harness slots



GEL COATED FIBERGLASS SHELL
W SIDE FIXING POINTS
HANS® COMPATIBLE



HSC PATENT COMPATIBLE



REMOVABLE CUSHIONS



Measure in mm
sizing information on page 140

WRC-R CARBON

HA/769E/N

Same characteristics as HA/773E
Sizing information on page 140

CARBON FIBER SHELL VERSION



HSC PATENT COMPATIBLE



MANUFACTURER: OMP
MODEL: WRC CARBON
HOM. NO: CS.177.05
FIA STANDARD: FIA 8855-1999



WRC-R XL

HA/778E/N

Same characteristics as HA/773E
Sizing information on page 140

XL VERSION LARGER AND HIGHER



MANUFACTURER: OMP
MODEL: WRC/XL
HOM. NO: CS.035.01
FIA STANDARD: FIA 8855-1999



PROFESSIONAL RACING SEAT
Upholstered in high breathable Airnet material.



HSC PATENT COMPATIBLE

GEL COATED FIBERGLASS SHELL
W SIDE FIXING POINTS
HANS® COMPATIBLE

LARGE HARNESS SLOTS



MANUFACTURER: OMP
MODEL: ARS
HOM. NO: CS.924.98
FIA STANDARD: FIA 8855-1999

MEDIUM HEIGHT SIDE BOLSTERS
for lateral leg support for higher protection

REMOVABLE CUSHIONS
back, base, and leg



Measure in mm
sizing information on page 140

RACING SEAT
Upholstered entirely in velour.



HSC PATENT COMPATIBLE

FIBERGLASS SHELL
W SIDE FIXING POINTS
HANS® COMPATIBLE

SHAPED SAFETY HEADREST

LARGE HARNESS SLOTS



MANUFACTURER: OMP
MODEL: RS-PT
HOM. NO: CS.229.09
FIA STANDARD: FIA 8855-1999

REMOVABLE CUSHIONS
back, base, and leg

HIGH SIDE BOLSTER
for lateral leg support



Measure in mm
sizing information on page 140

SEATS CHAMP-R

HA/766E/N

RACING SEAT
Upholstered entirely in velour.



HSC PATENT COMPATIBLE



MANUFACTURER: OMP
MODEL: CHAMP
HOM. NO.: CS.826.97
FIA STANDARD: FIA 8855-1999

BASE AND SHOULDERS UPHOLSTERED
with anti-slip material to allow maximum adherence to the seat

REMOVABLE CUSHIONS
back and leg

GEL COATED
FIBERGLASS SHELL
W SIDE FIXING POINTS
HANS® COMPATIBLE



Measure in mm
sizing information on page 140

SEATS FIRST-R

HA/790/N

ENTRY LEVEL SEAT
Made of fiberglass shell, large shoulder harness slots to accommodate various heights. Entirely upholstered. Excellent quality/price ratio.



HSC PATENT COMPATIBLE

FIBERGLASS SHELL
W SIDE FIXING POINTS
HANS® COMPATIBLE

LARGE HARNESS SLOTS



MANUFACTURER: OMP
MODEL: FIRST-R
HOM. NO.: CS.383.06
FIA STANDARD: FIA 8855-1999

REMOVABLE CUSHION



FIBERGLASS SHELL



Measure in mm
sizing information on page 140

RACING SEAT

Tubular steel frame. Excellent quality/price ratio. Exclusive design thanks to modern shape and fresh fluo yellow details. The optimized dimensions allows to mounting the seat also in cars with reduced inner room and the ergonomic is designed to guarantee the best individual seat comfort and an high lateral support Upholstered entirely in velour.

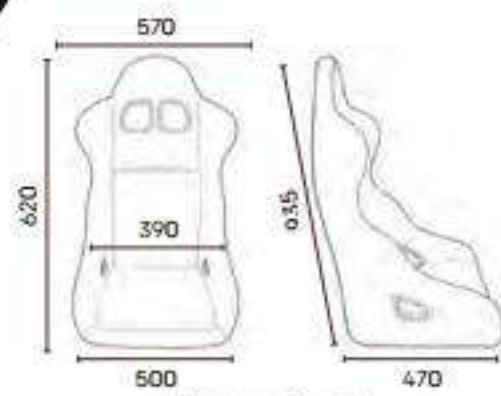


MANUFACTURER: OMP
MODEL: TRS-X
HOM. NO.: CS.410.18
FIA STANDARD: FIA 8855-1999

LARGE HARNESS SLOTS

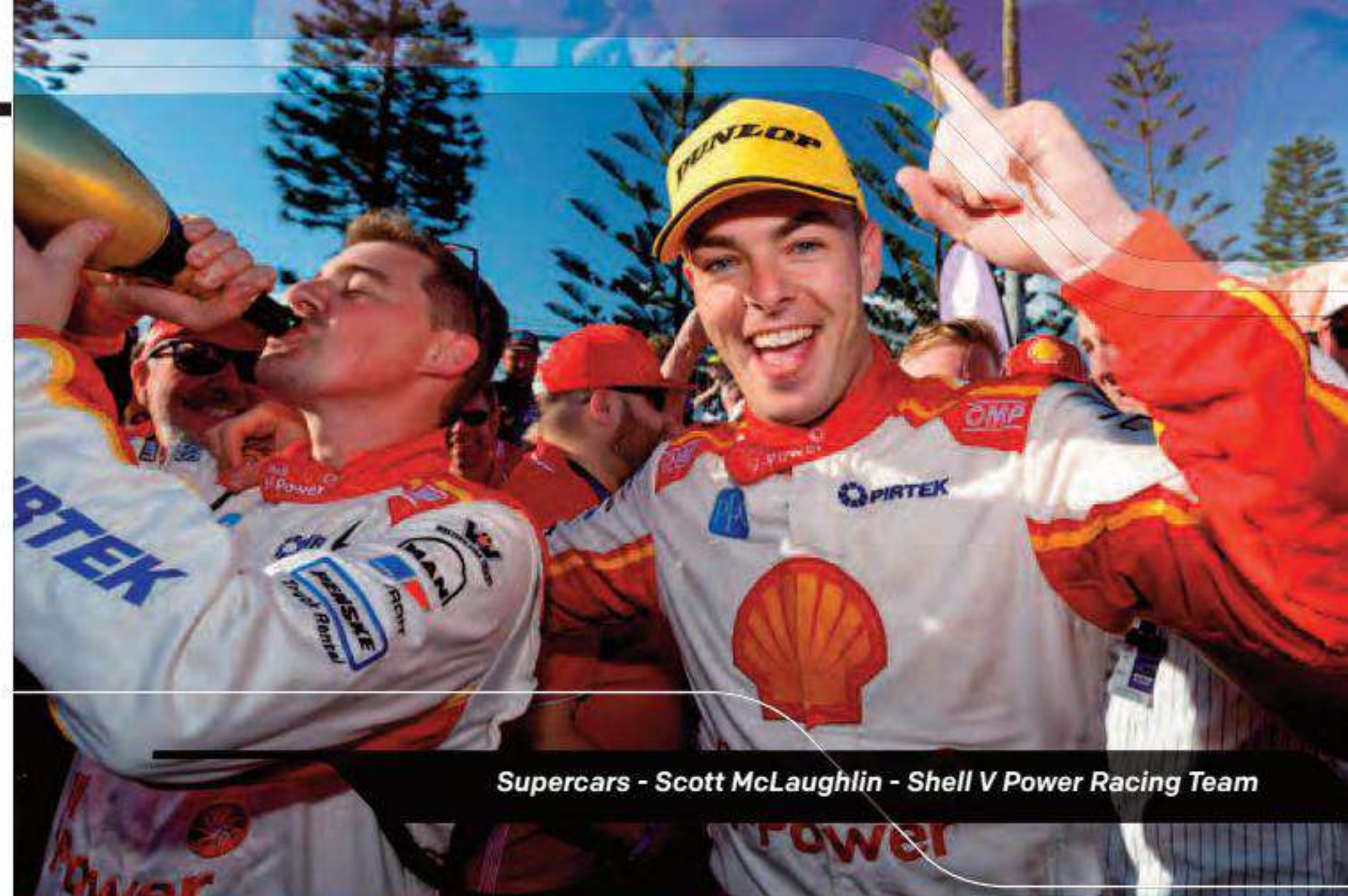
MEDIUM HEIGHT SIDE BOLSTERS
for lateral leg support
for higher protection

REMOVABLE
back - base - and leg
cushion for maximum
individual seating comfort



Measure in mm
sizing information on page 140

TUBULAR
STEEL FRAME
W SIDE AND Y
BOTTOM FIXING POINTS
HANS® COMPATIBLE



Supercars - Scott McLaughlin - Shell V Power Racing Team



Italian GT - Giancarlo Fisichella/Stefano Gai - Scuderia Baldini

SEATS TRS-E PLUS

HA/744E

VINYL RACING SEAT
entirely upholstering in decorated vinyl.
Excellent quality/price ratio.



HSC PATENT
COMPATIBLE

LARGE HARNESS SLOTS



MANUFACTURER: OMP
MODEL: T-RS
HOM. NO: CS.24330
FIA STANDARD: FIA 8855-1999

HA/744E/RW
red/white

**REMOVABLE LEG
CUSHION**
rests to allow maximum
individual seating comfort



TUBULAR
STEEL FRAME
W SIDE AND Y
BOTTOM FIXING POINTS
HANS® COMPATIBLE

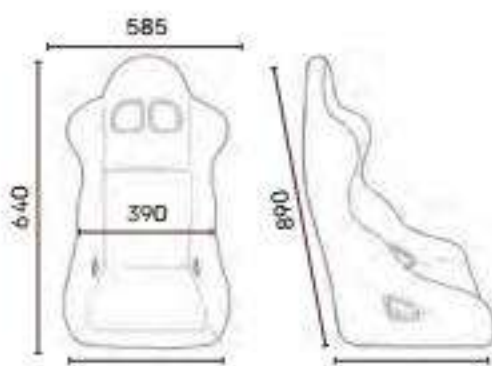


HA/744E/BW
blue/white



HA/744E/NW
black/white

**MEDIUM HEIGHT SIDE
BOLSTERS**
for lateral leg support for
higher protection



Measure in mm
sizing information on page 140

TRS-E SKY
HA/760E/N

Same characteristics
as HA/744E



HSC PATENT
COMPATIBLE

**ONE COLOUR SKY
VERSION**
upholstered in
black vinyl



MANUFACTURER: OMP
MODEL: T-RS
HOM. NO: CS.24330
FIA STANDARD: FIA 8855-1999



SEATS TRS-E

HA/741E

RACING SEAT
entirely upholstering in jacquard
velour. Excellent quality/price ratio.



HSC PATENT
COMPATIBLE

LARGE HARNESS SLOTS



MANUFACTURER: OMP
MODEL: T-RS
HOM. NO: CS.24330
FIA STANDARD: FIA 8855-1999

HA/741E/B
blue

**REMOVABLE LEG
CUSHION**
rests to allow maximum
individual seating comfort



TUBULAR
STEEL FRAME
W SIDE AND Y
BOTTOM FIXING POINTS
HANS® COMPATIBLE

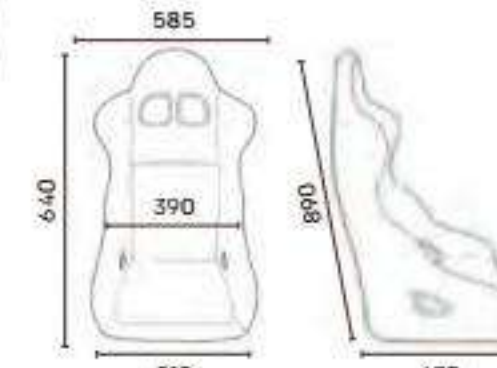


HA/741E/R
red



HA/741E/N
black

**MEDIUM HEIGHT SIDE
BOLSTERS**
for lateral leg support for
higher protection



Measure in mm
sizing information on page 140

TRS-E xs
HA/783E/N

Same characteristics
as HA/741E
Sizing information
on page 140



HSC PATENT
COMPATIBLE

**SMALL SIZE
APPROVED**



MANUFACTURER: OMP
MODEL: TRS-XS
HOM. NO: CS.29233
FIA STANDARD: FIA 8855-1999



TRS-E xl
HA/781E/N

Same characteristics
as HA/741E
(only W side fixing points)
Sizing information
on page 140
**LARGE SIZE
APPROVED**



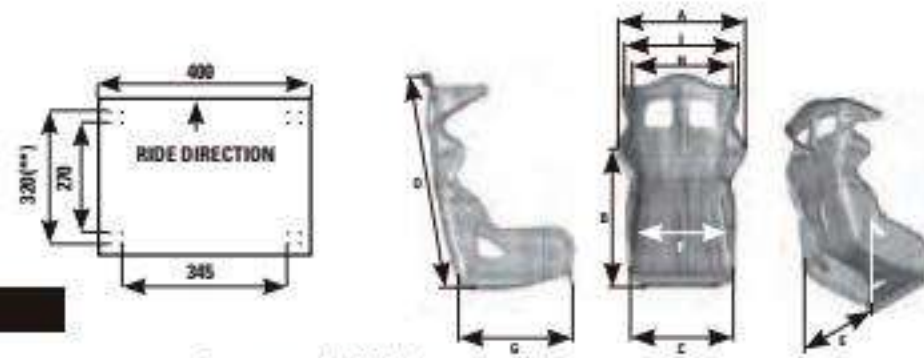
HSC PATENT
COMPATIBLE



MANUFACTURER: OMP
MODEL: TRS-XL
HOM. NO: CS.27132
FIA STANDARD: FIA 8855-1999



The following measurements are given as a guide. Actual measurements may vary to accommodate production. Seat fitting type: according to FIA regulations the seat must be fixed to the brackets by means of at least four bolts M8 class 8.8. The diagram shows the distances between the fixing points in mm.
 * the weight refers to the complete seat (tolerance of 10%).
 ** referring to bottom fixing points of the sliding guide.
TYPE W: inner side int. 289 mm **TYPE Y:** bottom 345x270 mm



LEGEND

- A external max width at shoulders
- B seat bottom to mid shoulders
- C seat bottom max external width
- D total height of seat back
- E internal max width at seat fixing
- inserts
- F seat inner width (belt holes area)
- G bottom length
- H internal width between side head protections
- I external width between side head protections
- L height from the bottom to the harness slot
- W= side fixing Y = bottom fixing

HOMOLOG.	SHELL	AIRNET MATERIAL	CUSHIONS SPLIT LEG	A	B	C	D	E	F	G	H	I	L	HARNES SLOTS	WEIGHT* (KG)	FIXING				
HTE ONE HA/761E / HTE ONE S HA/801 / HTE ONE LITE HA/807				FIA 8862/2009	CARBON	✓	✓	625	620	490	890	380	365	480	365	500	655	5	9.2	W
HTE ONE XL HA/798				FIA 8862/2009	CARBON	✓	✓	680	580	490	970	400	390	515	370	520	700	5	9.9	W
HRC-ONE HA/789 / HRC-ONE LITE HA/800 / HRC-ONE LITE RC HA/805				FIA 8862/2000	CARBON	✓	✓	615	635	455	900	405	365	470	345	460	630	5	9.2	W
HRC-R CARBON AIR HA/786				FIA 8855/1999	CARBON	✓	✓	615	635	460	890	395	365	470	345	490	620	5	6.2	W
HRC-R FIBERGLASS AIR HA/793				FIA 8855/1999	FIBERGLASS	✓	✓	620	635	470	900	390	365	470	370	530	620	5	9.5	W
HRC-R FIBERGLASS AIR XL HA/794				FIA 8855/1999	FIBERGLASS	✓	✓	610	680	490	980	425	400	480	360	520	675	5	10.3	W
HRC-R CARBON HA/788				FIA 8855/1999	CARBON	✓	✓	615	635	460	890	395	365	470	345	490	620	5	5.8	W
PROTOTIPO HA/745				FIA 8855/1999	CARBON	✓	✓	530	520	440	790	385	380	480	360	450	570	5	6.1	W
HTE-R HA/772E				FIA 8855/1999	FIBERGLASS	✓	✓	560	570	515	880	420	390	490	315	480	665	5	9.4	W
HTE-R 400 HA/780E				FIA 8855/1999	FIBERGLASS	✓	✓	560	570	515	880	420	390	490	310	420	665	5	10.2	W
HTE-R XL HA/771E				FIA 8855/1999	FIBERGLASS	✓	✓	560	580	530	905	440	400	480	301	490	670	5	10.5	W
HTE-R CARBON HA/768E				FIA 8855/1999	CARBON	✓	✓	560	560	465	880	390	370	470	330	490	665	5	6.6	W
HTE-R CARBON XL HA/779E				FIA 8855/1999	CARBON	✓	✓	560	580	485	890	425	390	490	330	490	665	5	6.8	W

HOMOLOGATION	SHELL	AIRTEX® MATERIAL	CUSHIONS SPLIT LEG	MEASURE IN MM												HARNES SLOTS	WEIGHT* (KG)	FIXING		
				A	B	C	D	E	F	G	H	I	L							
WRC-R HA/773E				FIA 8855/1999	FIBERGLASS	✓	✓	620	600	510	890	410	390	480	/	/	645	5	8.8	W
WRC-R CARBON HA/769E				FIA 8855/1999	CARBON	✓	✓	590	600	495	890	400	365	490	/	/	645	5	5.6	W
WRC-R XL HA/778E				FIA 8855/1999	FIBERGLASS	✓	✓	665	600	520	920	430	415	480	/	/	700	5	10.7	W
ARS-R HA/774E				FIA 8855/1999	FIBERGLASS	✓		590	600	500	910	420	370	490	/	/	615	5	8.9	W
RS-P.T. 2 HA/762E				FIA 8855/1999	FIBERGLASS			565	560	510	880	420	395	480	340	510	675	5	10.4	W
CHAMP-R HA/766E				FIA 8855/1999	FIBERGLASS			590	575	520	890	400	360	480	/	/	615	5	8.8	W
TRS-E PLUS HA/744E				FIA 8855/1999	TUBULAR STEEL			585	640	510	890	410	390	470	/	/	600	5	10.3	W Y
TRS-E SKY HA/760E / TRS LEGEND HA/775				FIA 8855/1999	TUBULAR STEEL			585	640	510	890	410	390	470	/	/	600	5	10.8	W Y
TRS-E HA/741E				FIA 8855/1999	TUBULAR STEEL			585	640	510	890	410	390	470	/	/	600	5	10.3	W Y
TRS-E XS HA/783E				FIA 8855/1999	TUBULAR STEEL			520	600	420	870	395	330	470	/	/	575	5	10.2	W Y
TRS-E XL HA/781E				FIA 8855/1999	TUBULAR STEEL			625	680	540	950	450	415	520	/	/	655	5	12.3	W
FIRST-R HA/790				FIA 8855/1999	FIBERGLASS			620	600	510	890	410	390	480	/	/	630	5	8.9	W
TRS-X HA/803				FIA 8855/1999	TUBULAR STEEL			570	620	500	935	410	390	470	/	/	600	5	10.8	W Y

AIR COOLING KIT

HC/913

COOLING COMFORT

Air cooling kit to be mounted on pre-drilled seat shell (all OMP "Air" seats). This system give a new level of cooling comfort to the drivers specially during long races in very hot condition.

The kit includes:

- a shell to be mounted on the the back of the seat with included bihadesive tape (HC/913/G)
- a connection hose (1,5" x 2mt) with inner metal spiral (HC/913/T) that can be fixed to the shell and to the blower HC/914 or to others air sources (inner intake of the car)
- a connection junction in rubber (HC/913/R)
- 45° connection junction in rubber (HC/913/R45)

All components are sold also separately as spare parts.



BACK CUSHION

HB/703

Preforated back cushion to allow the best cooling effect of OMP air cooling system HC/913. Airnet material.

2 SIZES:

- M for HRC Fiberglass (HA/793)
- XL for HRC Fiberglass XL (HA/794)



AIR BLOWER

HC/914

for Air Cooling Kit HC/913



RACING OPTIONS ACCESSORIES

SPARE COLORED HARNESS SHOULDER KIT

HC/930

Kit of spare harness slots adaptable on most of OMP racing seat. Several colors available: black like the original ones, white, red, fluo green, fluo orange, fluo yellow.



SPARE COLORED HARNESS LATERAL KIT

HC/931

Kit of spare harness slots adaptable on most of OMP racing seat. Several colors available: black like the original ones, white, red, fluo green, fluo orange, fluo yellow.



LATERAL PAIR CUSHIONS

HB/701

For HRC seats. Sizes: S, M
Velour material.



LEG CUSHIONS

HB/698

Perforated leg support cushions. Airnet material.



LEG CUSHIONS

HB/700

2 pieces flat leg support cushions. Airnet material.



SEAT CUSHIONS

HB/702

Thicker seat cushions for HRC seat. Antislip velvet.



SEAT CUSHIONS

A Back support cushion, small

HB/692

B Lumbar support cushion, medium

HB/662

C Seat cushion

HB/695

D Leg support cushion

HB/693



HSC PATENT

HC/893

Adjustable aluminium cover for 3 safety belt's positions setting. **PATENTED**



HEAD CUSHION

HB/699

Velour material.

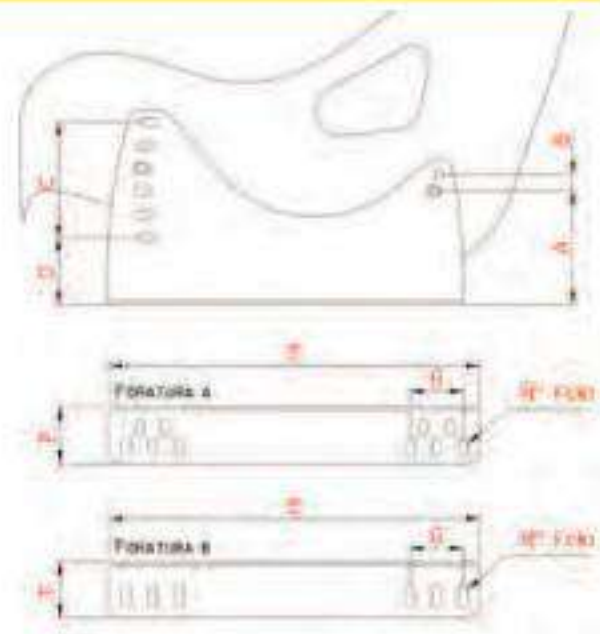


UNIVERSAL BRACKETS

SIDE MOUNT BRACKET DIMENSIONS

The dimensions are in mm.

BRACKET	Lowest rear mounting hole "A"	Rear range "B"	Front range "C"	Lowest front mounting hole "D"	Type of bolt pattern	Length of mounting plate "E"	Width of mounting plate "F"	Longitudinal range "G"	Number of holes
HC/731E	110	34,5	93	70,5	B	380	45	75	4
HC/733E	109	17	94	70,5	A	350	52	25	3
HC/830	77	66	66	77	B	495	48,5	126	6
HC/833E	112	51	108	73,5	A	422,5	59	112,5	10
HC/922	85	81	81	85	B	400	52	75	4
HC/923	75,5	100	100	75,5	B	495	50	125	6
HC/924	85	81	81	85	B	400	52	75	4
HC/925	75,5	100	100	75,5	B	495	50	125	6



STEEL BRACKET

HC/922 FIA APPENDIX J ART. 253

Tall model. Steel. Length: 400 mm Thickness: 3 mm Ultra strong material.



STEEL BRACKET

HC/731E FIA APPENDIX J ART. 253

Tall model. Steel. Length: 380 mm Thickness: 3 mm Ultra strong material.



STEEL BRACKET

HC/733E FIA APPENDIX J ART. 253

Low model. Steel. Length: 350 mm Thickness: 3 mm Ultra strong material.



STEEL BRACKET

HC/923 FIA APPENDIX J ART. 253

Tall model. Steel. Length: 380 mm Thickness: 3 mm Ultra strong material.



ALUMINIUM BRACKET

HC/833E FIA APPENDIX J ART. 253

Tall model. Aluminium. Length: 422,5 mm Thickness: 6 mm Ultra strong material. Colours: HC/833E aluminium HC/833E/N black



ALUMINIUM BRACKET

HC/925 FIA APPENDIX J ART. 253

Tall model. Aluminium. Length: 495 mm Thickness: 6 mm Ultra strong material.



ALUMINIUM BRACKET

HC/924 FIA APPENDIX J ART. 253

Tall model. Aluminium. Length: 400 mm Thickness: 6 mm Ultra strong material.



ALUMINIUM BRACKET

HC/830 FIA APPENDIX J ART. 253

Tall model equipped with a damper. Aluminium. Patented model. Length: 495 mm Thickness: 6 mm



DAMPING ELEMENT to reduce vertical loads on the driver. Suitable for off-road.

SPECIFIC BRACKETS

SEAT BRACKET for HTE ONE LITE - HTE ONE HC/880 - HTE ONE S

FIA 8862-2009



SEAT BRACKET for HRC ONE HC/907

FIA 8862-2009



SEAT BRACKET for HTE ONE XL HC/928

FIA 8862-2009



SEAT BRACKET for HRC ONE LITE HC/929 - HRC ONE LITE RC

FIA 8862-2009



LOWER MOUNTING HOLES

STEEL BRACKET

HC/665

Sliding rail kit to be mounted between the brackets and the seat. Steel. Not FIA approved.



STEEL BRACKET

HC/660

Pair of "L" shaped brackets to fit seats with lower attachment points (type Y) to side brackets. Steel. Thickness: 3 mm.



UNIVERSAL SEAT SUBFRAME

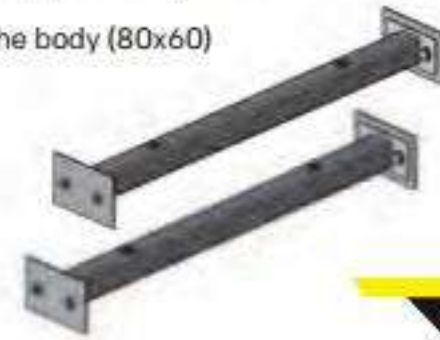
HC/879

Weld-in universal seat subframe to be adapted to the shell of the vehicle. Two 35mm squared pipes. Length: 600 mm

4 plates for direct welding to the body (80x60 thickness 3 mm).

4 plates for direct welding to the tube (60x40 thickness 3 mm)

4 buckles for welding M8.



ALUMINIUM UNIVERSAL BRACKET

HC/666

Universal couple of brackets for seat with lower attachments. Aluminium. Not FIA approved.



SEATS CLASSIC

HA/737E

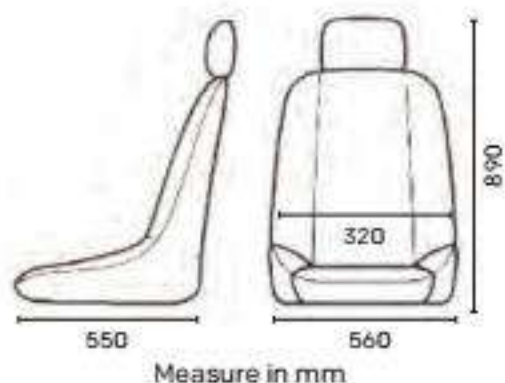
'70S REVIVAL VINTAGE SEAT
Upholstered in faux leather and velvet.

ADJUSTABLE VELVET HEADREST
for greater comfort



TUBULAR STEEL FRAME
M8 LOWER FIXING
POINTS 345X270 MM Y

RAISED BACKREST
and velvet seat



FAUX LEATHER SIDES

SEATS SILVERSTONE

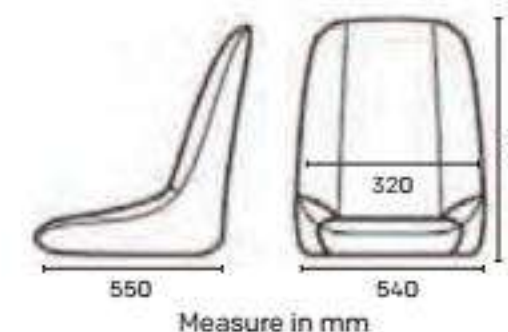
HA/756/N

VINTAGE SEAT SPECIFIC FOR OPEN CARS
Upholstered in faux leather.

TUBULAR STEEL FRAME
M8 LOWER FIXING
POINTS 345X270 MM Y



FAUX LEATHER SEAT
and back with
horizontal quilting.



SEATS BRANDSHATCH

HA/757/N

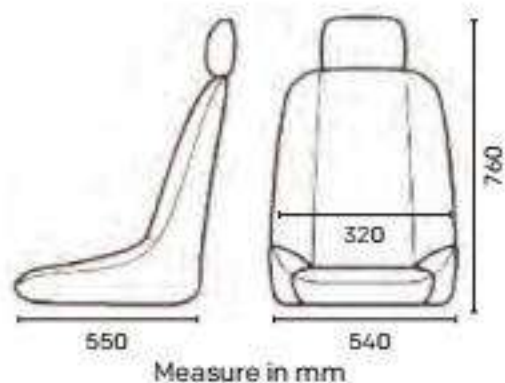
VINTAGE '60S STYLE SEAT
Upholstered in faux leather and velvet.

ADJUSTABLE VELVET HEADREST
for greater comfort



TUBULAR STEEL FRAME
M8 LOWER FIXING
POINTS 345X270 MM Y

RAISED BACKREST
and velvet seat



FAUX LEATHER SIDES

SEATS TRS - LEGEND

HA/775/N

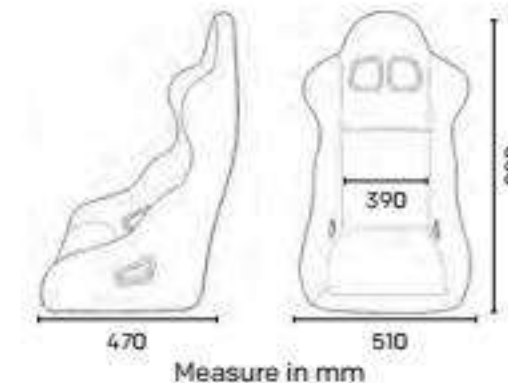
SEAT FIA HOMOLOGATED
Completely covered in faux
leather with contrast stitching.

TUBULAR STEEL FRAME
HOMOLOGATION
FIA 8855-1999
W SIDE AND Y BOTTOM
FIXING POINT
HANS® COMPATIBLE



LARGE SHOULDER HARNESS SLOTS
to accommodate various heights.

LEG CUSHION
for greater comfort.



SEATS M+S

OFF ROAD RACING SEAT

Lighweight bare fiberglass shell with large shoulder harness slots to accomodate various heights. Complete with simple waterproof neoprene padding. Entirely whashable seat.

Available in FIA 8855-1999 homologated version (HA/806F) or without homologation label for not FIA rules competition (HA806).

HA/806

HA/806F

W SIDE TYPE ATTACHMENTS
5 HARNESS SLOTS

LARGER SHOULDER
harness slots

NEW

NEOPRENE PADDING



SEE PAGES 104 AND 244
FOR OFF ROAD SUITABLE RACEWEAR

Red Lined Motorsport

SEATS RAID 2

HA/776T/N

BREATHABLE FABRIC
Reclinable seat for off-road cars. Quick-tilting mechanism for simple rear seat access.

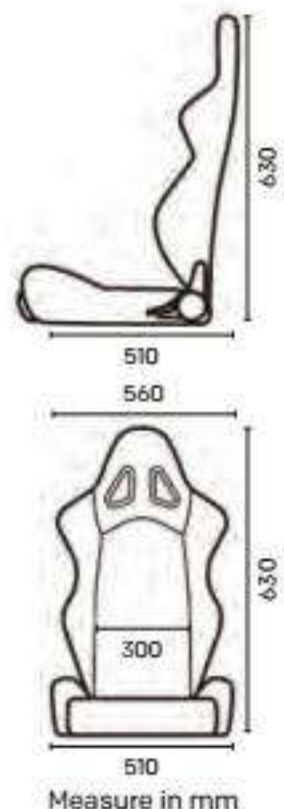
UPHOLSTERED in texture fabric and synthetic leather.

STEEL FRAME Y BOTTOM
FIXING POINTS 345X270 MM
SYNTHETIC LEATHER INSERTS

SYNTHETIC CARBON LOOK LEATHER REINFORCEMENTS on the sides.

HA/776E/N

SKY VERSION
Washable sky upholstery with synthetic carbon look leather reinforcements on the sides.



ALUMINIUM BRACKET

HC/830 FIA APPENDIX J ART. 253

Tall model equipped with a damper. Aluminium. Patented model. Length: 495 mm. Thickness: 6 mm



DAMPING ELEMENT to reduce vertical loads on the driver. Suitable for off-road.

AIR CUSHION

HB/665/CA

Air cushion seat, upholstered in black synthetic leather, pressurizing valve on the front for easy adjustment. Adaptable to any seat, best in cases of high stress as in off-road and speedboat.



SEATS STYLE

HA/719E/N

TUBULAR STEEL
M8 Y BOTTOM FIXING POINTS
345X270 MM
3 SEAT BELT OPENINGS

UPHOLSTERED IN A TEXTURED FABRIC "A-TEX EVO" abrasion resistant, comfortable in hot or cold conditions. Thickness: 3mm

ANATOMIC SHAPE



PRECISION RECLINING MECHANISM and quick-tilting mechanism to facilitate rear seat access

SEATS DESIGN 2

HA/736E/N

TUBULAR STEEL

M8 Y BOTTOM FIXING POINTS

345X270 MM

2 SEAT BELT OPENINGS

UPHOLSTERED IN A TEXTURED FABRIC "A-TEX EVO"
abrasion resistant, comfortable in hot or cold conditions.
Thickness: 3mm



HIGH SIDE

PRECISION RECLINING
MECHANISM
and quick-tilting mechanism
to facilitate rear seat access

SEATS STRADA

HA/750/N

TUBULAR STEEL

M8 Y BOTTOM FIXING POINTS

345X270 MM

2 SEAT BELT OPENINGS

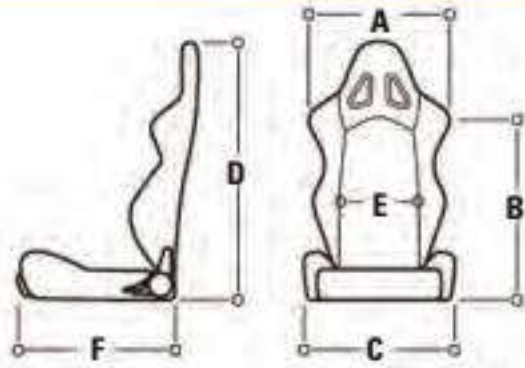
UPHOLSTERED IN A TEXTURED FABRIC "A-TEX EVO"
abrasion resistant, comfortable in hot or cold conditions.
Thickness: 3mm



HIGH SIDE

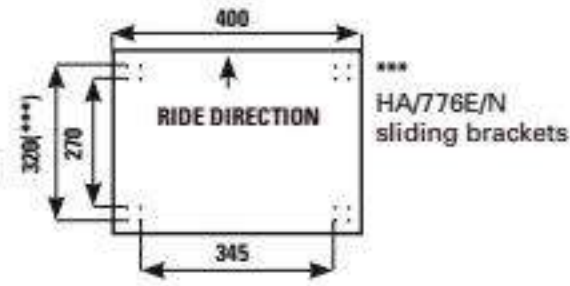
PRECISION RECLINING
MECHANISM
and quick-tilting mechanism
to facilitate rear seat access

SEATS TECHNICAL SPECIFICATIONS



LEGEND

- A ext. max width at shoulders
- B seat bottom to mid shoulders
- C ext. max width of side bolsters
- D tot. height of seat back
- E inner width between lateral torso protections
- F bottom length
- W = side fixing (289 mm)
- Y = bottom fixing (345x270 mm)



MEASURE IN MM

SHELL	A	B	C	D	E	F	HARNESS SLOT	FIXING	
STYLE / RAID2									
Tubular steel	560	630	510	970	300	560	3	Y	 HA/719E/N  HA/776T/N  HA/776E/N
DESIGN 2									
Tubular steel	540	640	510	950	310	560	3	Y	 HA/736E/N
STRADA									
Tubular steel	540	640	510	950	310	560	2	Y	 HA/750/N

SEAT BRACKETS

UNIVERSAL SLIDING RAIL

HC/665

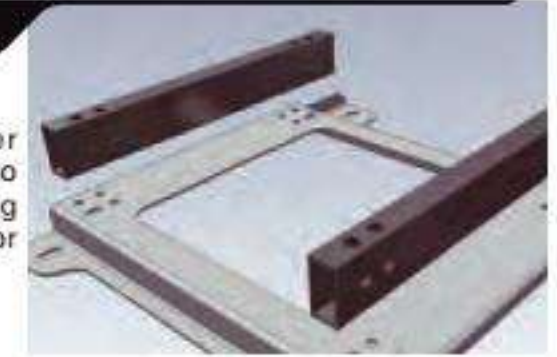
Kit to be mounted between seat and seat bracket.



SEAT BRACKET SPACER

HC/857

Seat bracket spacer allows the seat height to be adjusted, depending on which side is used for mounting. No FIA.



Height: + 25 mm or + 50 mm above the vehicle specific adaptor.

SEAT BRACKET SPACER

HC/858

Seat bracket spacer to consent seat adjustment. Height: + 50 mm, + 62 mm and + 75 mm respect to the vehicle specific adaptor. Inclination: 2.5° or 5° seat angle adjustments.



ADAPTORS FOR SEAT FIXING BRACKETS

HC/.....

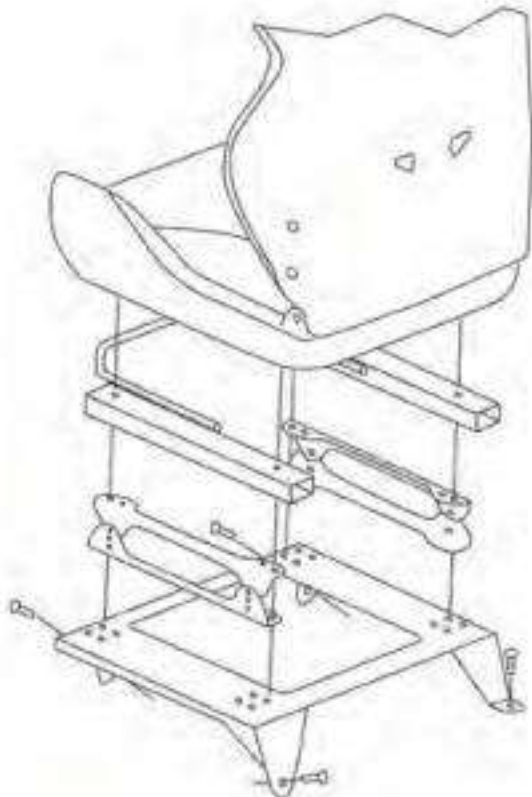


Sample image

SEAT MOUNTING EXAMPLES

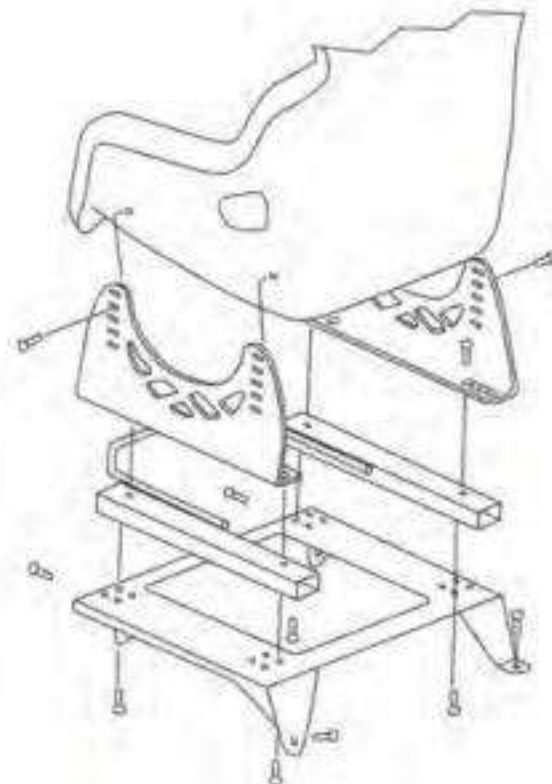
Seat with lower attachments points

- 1 Sliding brackets (HC/665)
- 2 Optional seat bracket spacer (HC/857 or HC/858)
- 3 Seat mounting bracket (vehicle specific)



Seat with side attachments points

- 1 Side mounting brackets (Racing)
- 2 Sliding brackets (HC/665)
- 3 Seat mounting bracket (vehicle specific)





RACING
PAG. 162



OFF ROAD
PAG. 178



SAFETY HARNESSES



Lightweight buckle with anti-unwitting opening system. FIA 8853/2016

A



Professional buckle. FIA 8853/2016

B



Lightweight steel snap hook

M



Lightweight steel carabiner.

N



Plate attachment.

O



Professional ultra lightweight quick release adjuster made of high strength forged aluminum, designed to minimize the weight and slipping of the webbing, ergonomic and compact.

C



Professional ultra lightweight quick release adjuster made of high strength forged aluminum, designed to minimize the weight and slipping of the webbing, ergonomic and compact.

D



Professional lightweight quick release adjuster made of high strength forged aluminum, designed to minimize the weight and slipping of the webbing, ergonomic and compact.

E



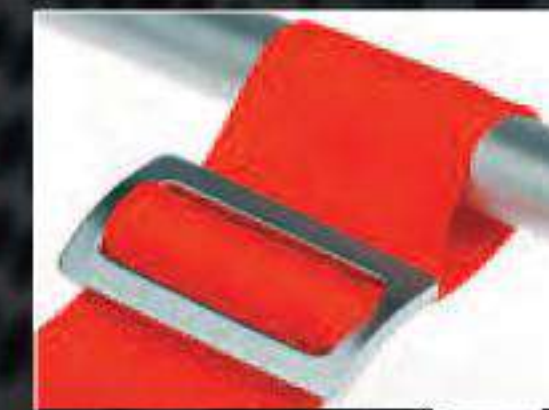
Snap hook attachment made of steel with high mechanical strength designed to improve performance and for optimum safety.

P



Webbing end sewn specifically for formula cars attach.

Q



Homologated for direct attachment to roll bars.

R



Exclusive double pin T-bar crotch attachment.

F



New lightweight quick release adjuster made of steel and high strength aluminum, ergonomic and compact.

G



Professional adjuster made of high strength steel.

H



Buckle fixed to the lap strap.

S



Buckle fixed to the crotch strap.

T



Runner for fixing intercom connectors.

U



Ultra lightweight Dyneema®, the world strongest fiber™ straps with comfortable webbings.

I



Lightweight polyester straps with comfortable webbings.

L



Runner for use with rubber bands - specifically for GT cars.

V



SALOON HARNESSES

SALOON

6 POINTS
FHR ONLY

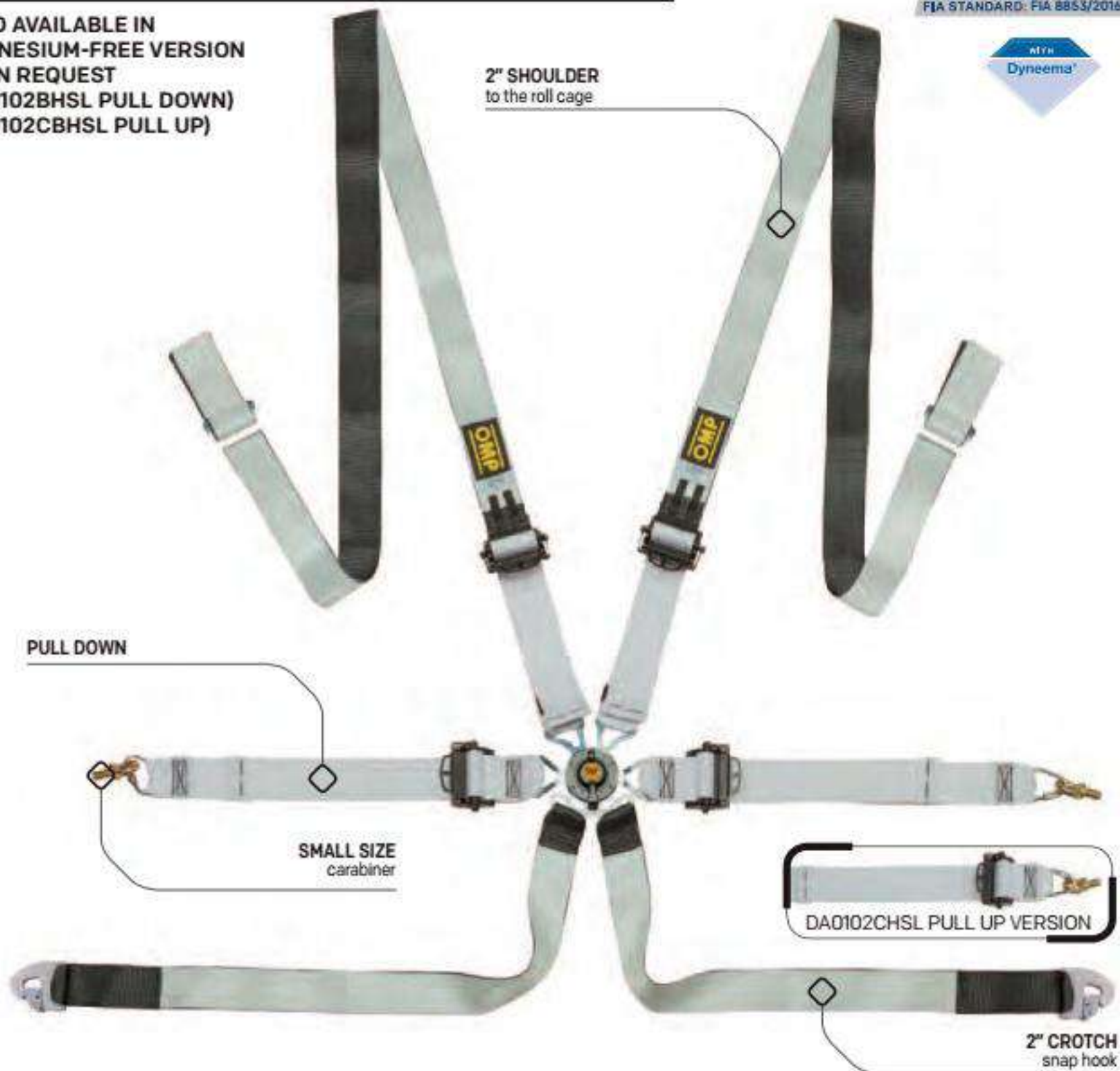
SALOON PULL DOWN OR PULL UP

Ultralightweight and comfortable safety harness for saloon cars in **Dyneema®**, the world strongest fiber™. Forged aluminium ultralight adjusters, buckle in ergal machined from solid and magnesium. The Harness ensures best safety level ever thanks to the ultra-resistant buckle with an anti-unwitting opening system and exclusive double pin T-bar crotch attachments. Adjustable setting of shoulder and lap straps with exclusive F1-inspired "double fold" system for a practical and strong hold.

ALSO AVAILABLE IN
MAGNESIUM-FREE VERSION
UPON REQUEST
(DA0102BHSL PULL DOWN)
(DA0102CBHSL PULL UP)



MANUFACTURER: OMP
MODEL: DA0102
HOM. NO: SH.025.17-T-6
FIA STANDARD: FIA 8853/2016



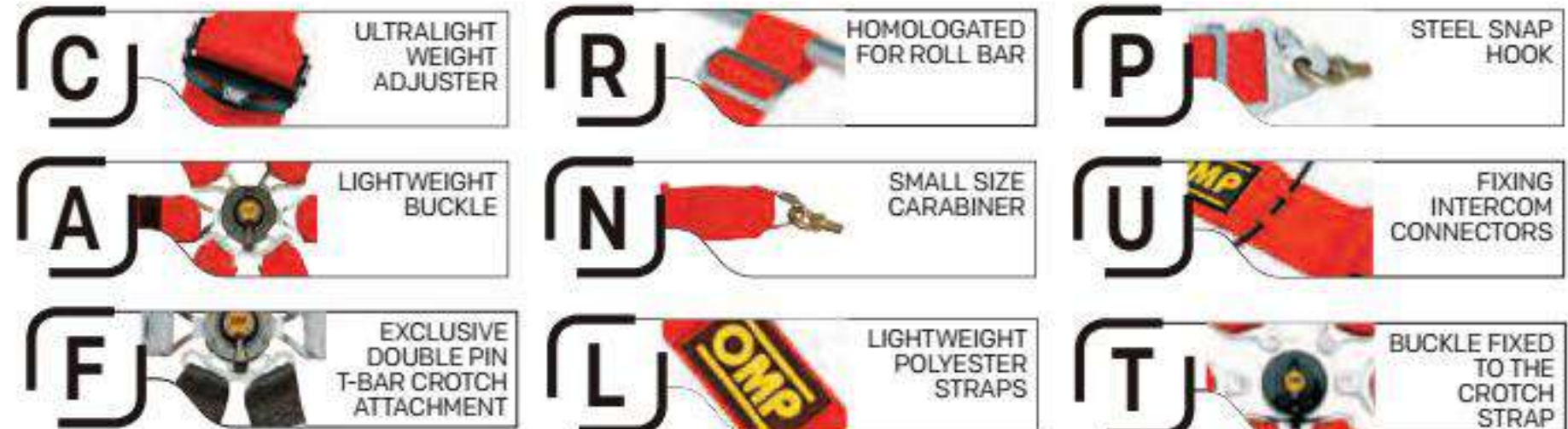
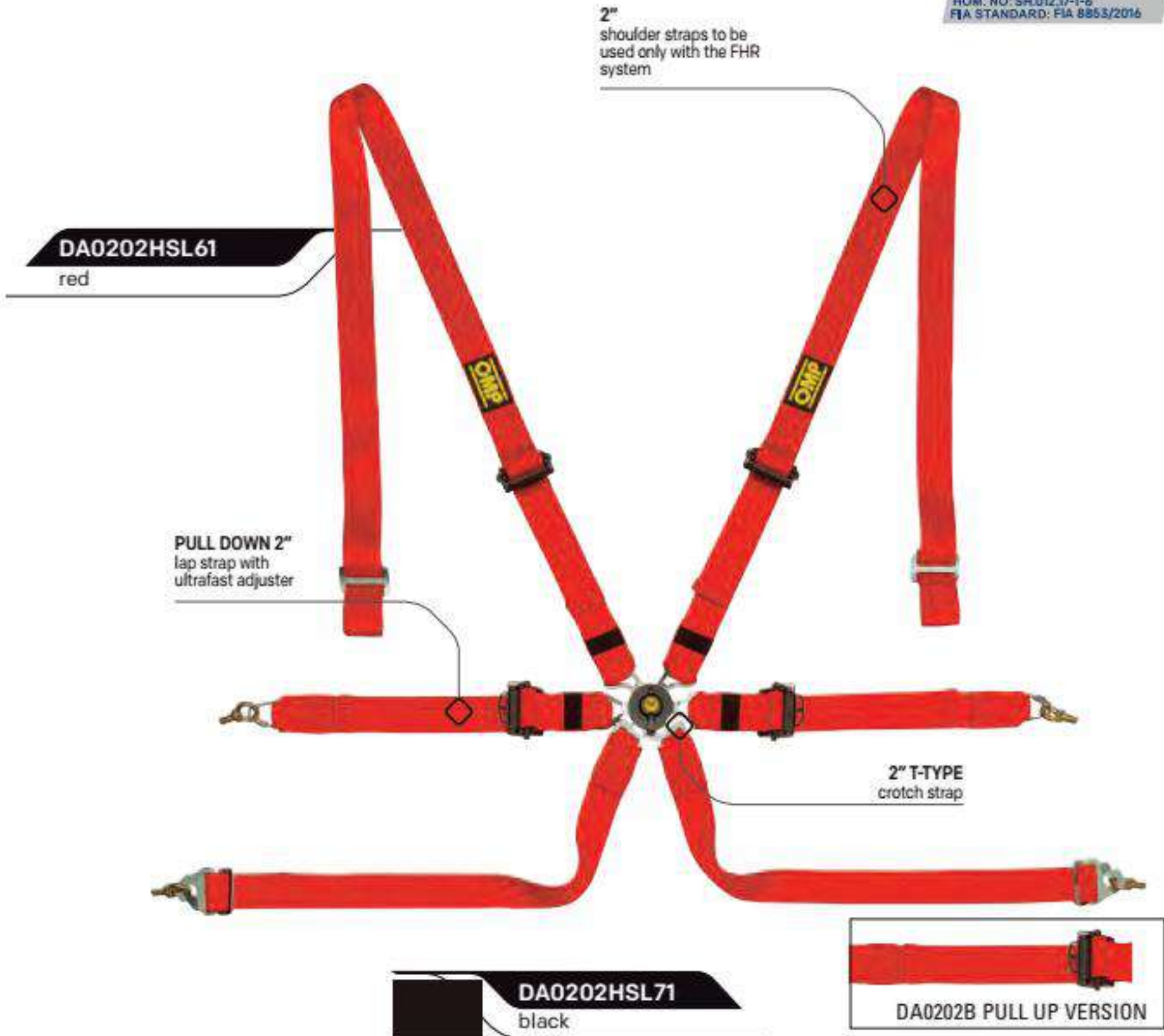
SALOON

6 POINTS
FHR ONLY

SUPERLIGHT PROFESSIONAL SAFETY BELT PULL DOWN



MANUFACTURER: OMP
MODEL: DA0202
HOM. NO: SH.012.17-T-6
FIA STANDARD: FIA 8853/2016



SALOON

6 POINTS
FHR ONLY

SALOON PULL UP CONVERTIBLE IN PULL DOWN

Lightweight and comfortable safety harness for saloon cars in polyester fabric. Ultralightweight aluminium adjuster on shoulders, steel and high strength aluminium lightweight adjusters on lap, buckle in ergal machined from solid and magnesium. The harness ensures best safety level ever thanks to the ultra-resistant buckle with an anti-unwitting opening system and exclusive double pin T-bar crotch attachments.



MANUFACTURER: OMP
MODEL: DA0205
HOM. NO: SH.052.18-T-6
FIA STANDARD: FIA 8853/2016

NEW



DA0205HSL061
red

2" CROTCH
snap-hook

DA0205HSL071
black



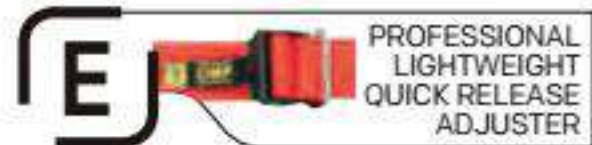
LIGHTWEIGHT
POLYESTER
STRAPS



HOMOLOGATED
FOR ROLL BAR



BUCKLE FIXED
TO THE
CROTCH
STRAP



PROFESSIONAL
LIGHTWEIGHT
QUICK RELEASE
ADJUSTER



FIXING
INTERCOM
CONNECTORS



LIGHTWEIGHT
BUCKLE



PROFESSIONAL
ULTRA
LIGHTWEIGHT
QUICK RELEASE



STEEL SNAP
HOOK



EXCLUSIVE
DOUBLE PIN
T-BAR CROTCH
ATTACHMENT

SALOON

6 POINTS
FHR ONLY

SALOON PULL DOWN ENDURANCE

Lightweight and comfortable safety harness for saloon cars in polyester fabric. Ultralightweight aluminium adjuster on shoulders, steel and high strength aluminium lightweight endurance adjusters on lap, buckle in ergal machined from solid and magnesium. The harness ensures best safety level ever thanks to the ultra-resistant buckle with an anti-unwitting opening system and exclusive double pin T-bar crotch attachments.



MANUFACTURER: OMP
MODEL: DA0205
HOM. NO: SH.052.18-T-6
FIA STANDARD: FIA 8853/2016

NEW



DA0205BHSL061
red

2" CROTCH
snap-hook

DA0205BHSL071
black



LIGHTWEIGHT
POLYESTER
STRAPS



HOMOLOGATED
FOR ROLL BAR



BUCKLE FIXED
TO THE
CROTCH
STRAP



PROFESSIONAL
LIGHTWEIGHT
QUICK RELEASE
ADJUSTER



FIXING
INTERCOM
CONNECTORS



LIGHTWEIGHT
BUCKLE



PROFESSIONAL
ULTRA
LIGHTWEIGHT
QUICK RELEASE



STEEL SNAP
HOOK



EXCLUSIVE
DOUBLE PIN
T-BAR CROTCH
ATTACHMENT

SALOON PULL UP

Lightweight and comfortable safety harness for saloon cars in polyester fabric. Steel and high strength aluminium lightweight adjusters, buckle in ergal machined from solid and magnesium. The harness ensures best safety level ever thanks to the ultra-resistant buckle with an anti-unwitting opening system and exclusive double pin T-bar crotch attachments.

SALOON

6 POINTS
FHR ONLY



MANUFACTURER: OMP
MODEL: DA0203
HOM. NO: SH.026.17-T-6
FIA STANDARD: FIA 8853/2016

NEW



DA0203HL061

red

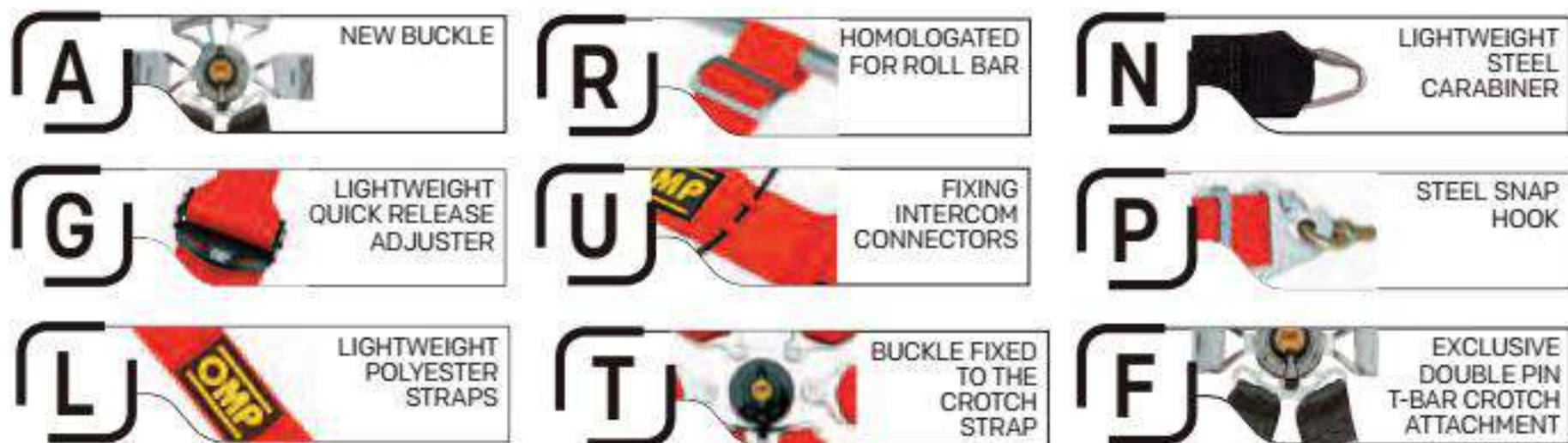
2" CROTCH snap hook

2 7/8" SHOULDER roll bar

PULL UP 3" carabiner

DA0203HL071

black



SALOON PULL UP ENTRY LEVEL 3"

Lightweight and comfortable safety harness for saloon cars in polyester fabric. Strong steel adjusters. Buckle in aluminium and steel with an improved quality/price ratio that ensures same quality at lower price.

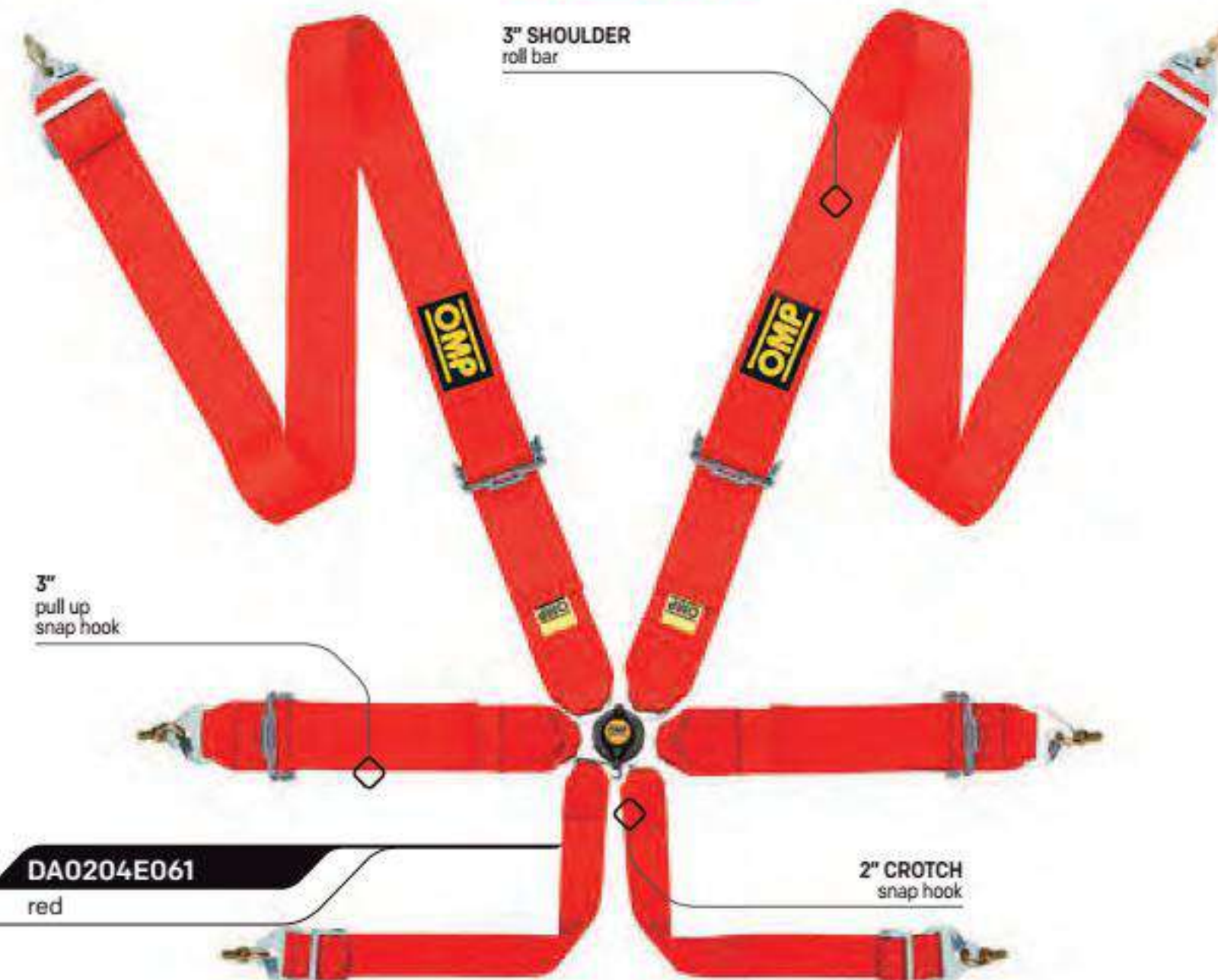
SALOON

6 POINTS
FHR FRIENDLY



MANUFACTURER: OMP
MODEL: DA0204
HOM. NO: SH.036.17-T-6
FIA STANDARD: FIA 8853/2016

NEW



DA0204E061

red

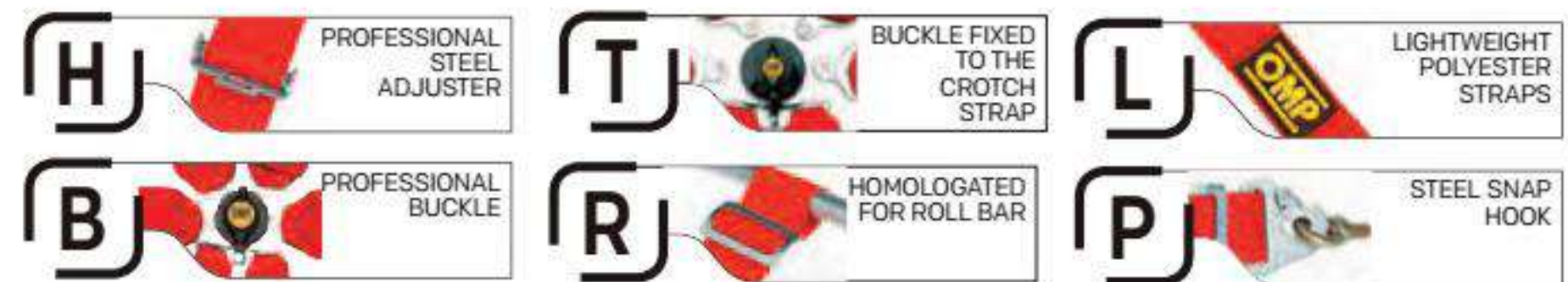
2" CROTCH snap hook

3" SHOULDER roll bar

3" pull up snap hook

DA0204E071

black



SAFETY HARNESSES

DA0204EH

DA0204EH

SALOON PULL UP ENTRY LEVEL 2"/3"

Lightweight and comfortable safety harness for saloon cars in polyester fabric. Strong steel adjusters. Buckle in aluminium and steel with an improved quality/price ratio that ensures same quality at lower price.

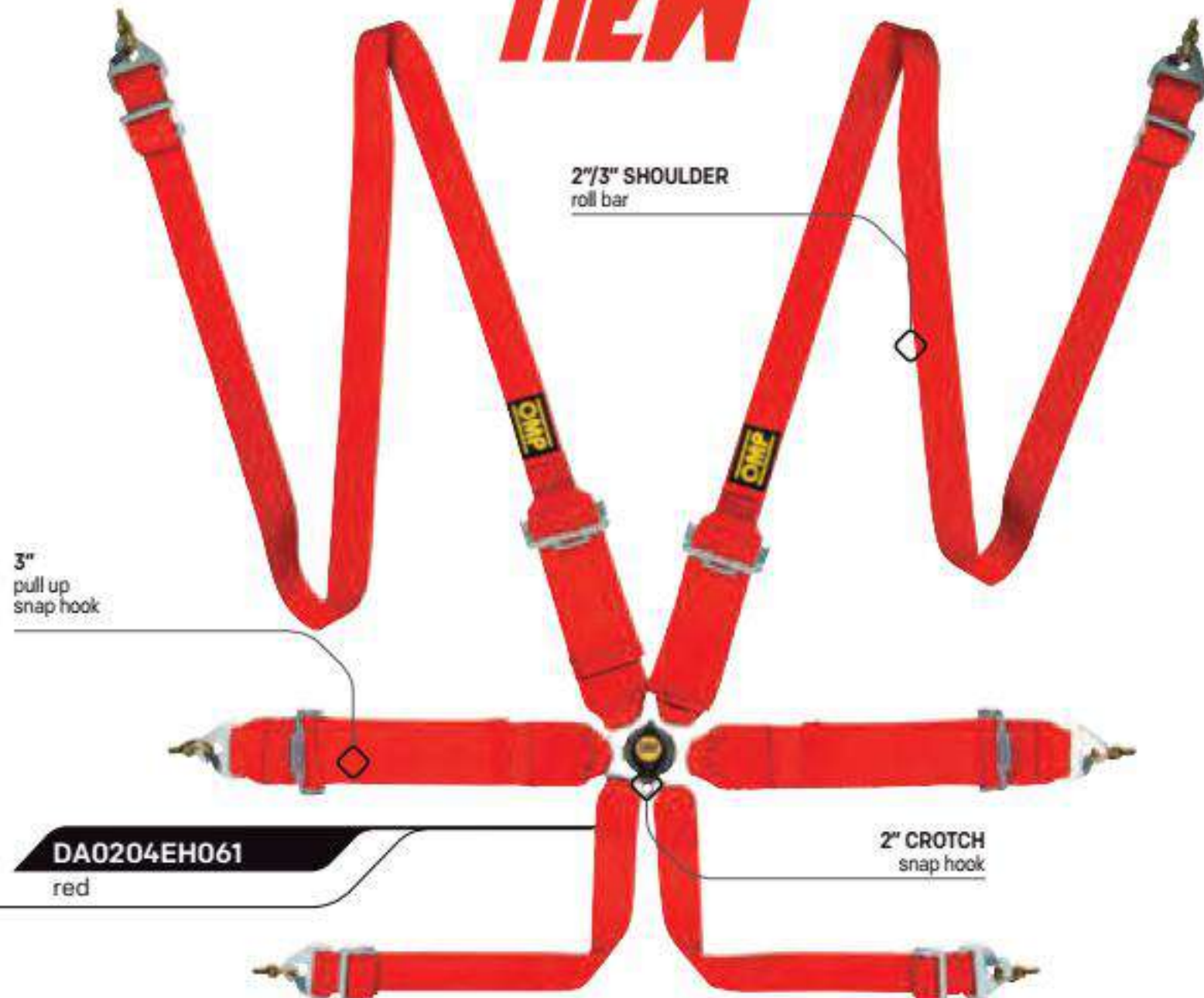
SALOON

6 POINTS
FHR ONLY



MANUFACTURER: OMP
MODEL: DA0204
HOM. NO: SH.036.17-T-6
FIA STANDARD: FIA 8853/2016

NEW



DA0204EH061
red

DA0204EH178
black/fluo yellow

DA0204EH071
black

DA0204EH041
blue



SAFETY HARNESSES

DA801F

DA801F

PROFESSIONAL BELT PULL UP

SALOON

4 POINTS
FHR FRIENDLY



DA801F61
red



MANUFACTURER: OMP
MODEL: DA801
HOM. NO: B-252.T/98
FIA STANDARD: FIA 8854/98

DA801F71
black



SAFETY HARNESSES

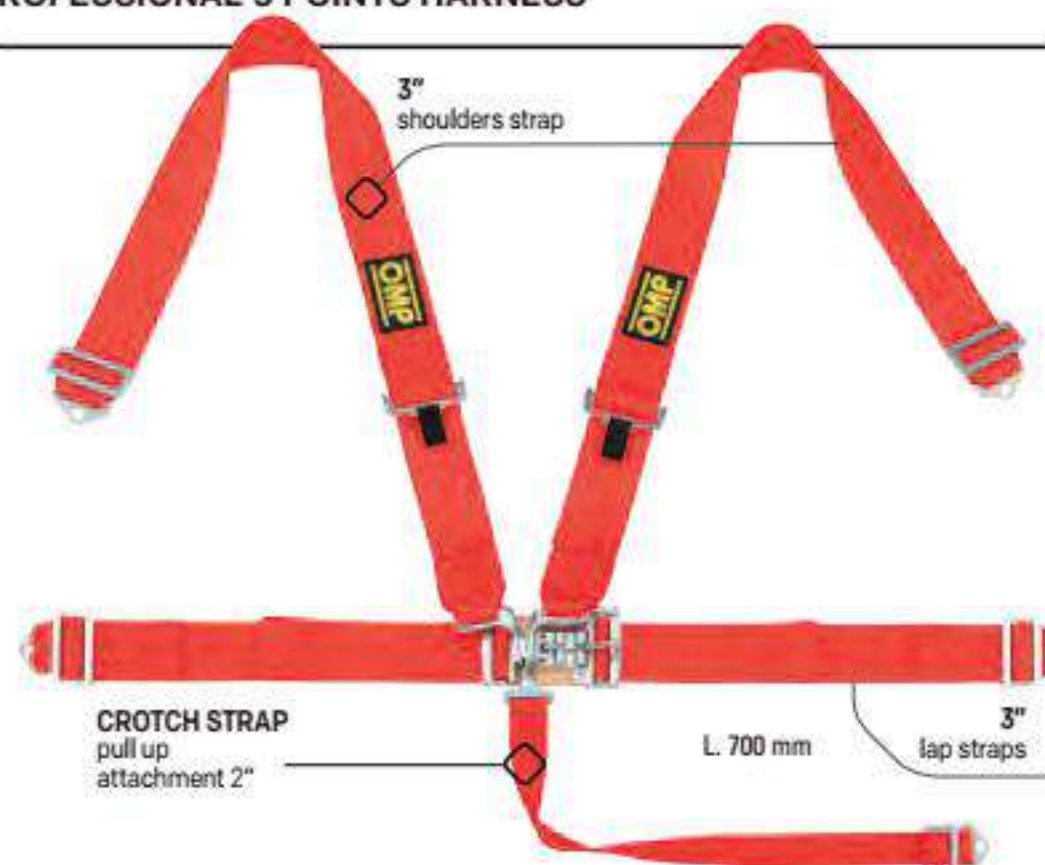
DA515HST

DA515HST

PROFESSIONAL 5 POINTS HARNESS

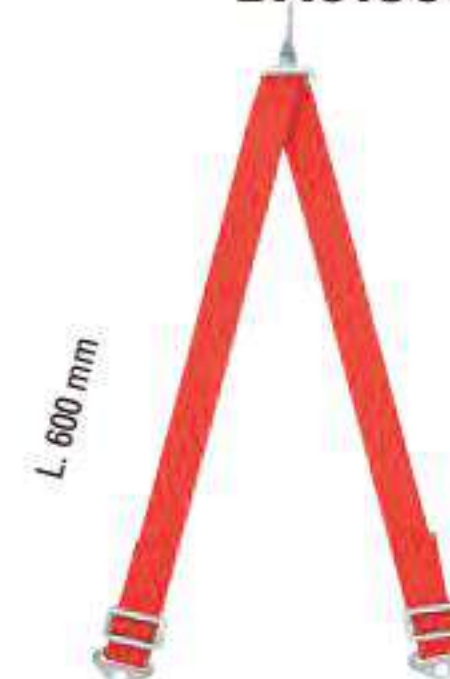
SALOON

HOMOLOGATION SFI 16.1
5 POINTS



V LEG STRAP
HOMOLOGATION SFI 16.1

DA518061





SINGLE SEATER HARNESSES



RP Motorsport



ADAC Formel 4 - David Schumacher



SAFETY HARNESSES DA0102FHSL DA0102FHSL

FORMULA BELT

Ultralightweight and comfortable safety harness for prototype cars in Dyneema®, the strongest fiber in the world™. Forged aluminium ultralight adjusters, buckle in ergal machined from solid and magnesium. The Harness ensures best safety level ever thanks to the ultra-resistant buckle with an antiunwitting opening system and exclusive double pin T-bar crotch attachments. Adjustable setting of shoulder and lap straps with exclusive F1-inspired "double fold" system for a practical and strong hold.

FORMULA

6 POINTS

FHR ONLY



MANUFACTURER: OMP
MODEL: DA0102
HOM. NO: SH.025.17-T-6
FIA STANDARD: FIA 8853/2016

NEW



2" SEWN WEBBING specifically for Formula car attachments

2" pull up plate

2" CROUCH plate

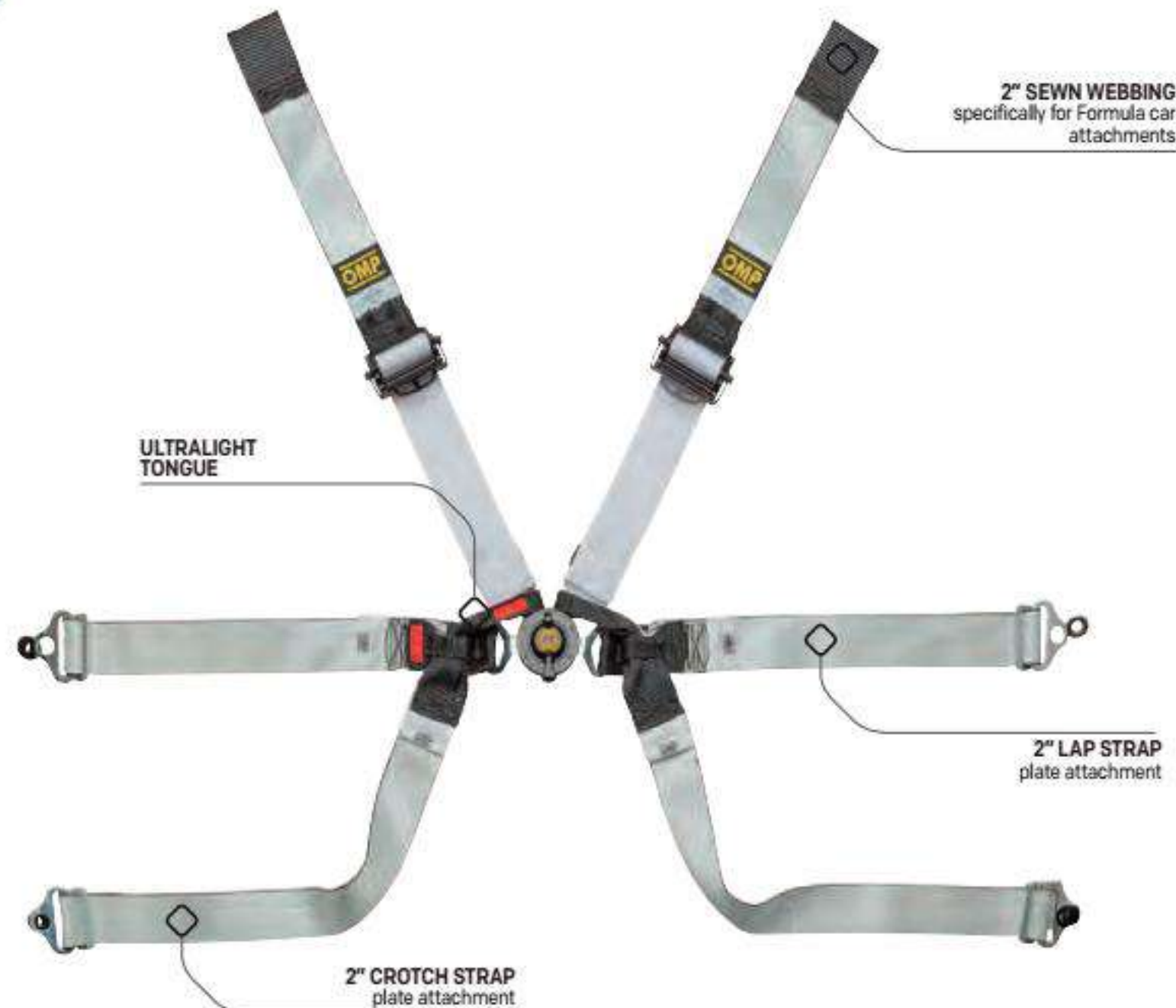
- I** ULTRALIGHT DYNEEMA
- C** PROFESSIONAL ULTRA LIGHTWEIGHT ADJUSTER
- Q** WEBBING END SEWN FOR FORMULA CARS ATTACH
- A** LIGHTWEIGHT BUCKLE
- F** EXCLUSIVE DOUBLE PIN T-BAR CROUCH ATTACHMENT
- O** PLATE ATTACHMENT
- T** BUCKLE FIXED TO THE CROUCH STRAP

FORMULA BELT

Ultralightweight and comfortable safety harness for Formula cars in Dyneema[®], the world strongest fiber™. Forged aluminium ultralight adjusters, buckle in ergal machined from solid and magnesium. The Harness ensures best safety level ever thanks to the ultra-resistant buckle with an anti-unwitting opening system. Adjustable setting of shoulder and lap straps with exclusive F1-inspired "double fold" system for a practical and strong hold.



MANUFACTURER: OMP
MODEL: DA0104
HOM. NO. SH.018.17-T-6
FIA STANDARD: FIA 8853/2016



SUPERLIGHT PROFESSIONAL BELT

ALSO AVAILABLE WITH PLATE ATTACHMENTS VERSION (DA0206BHSL)

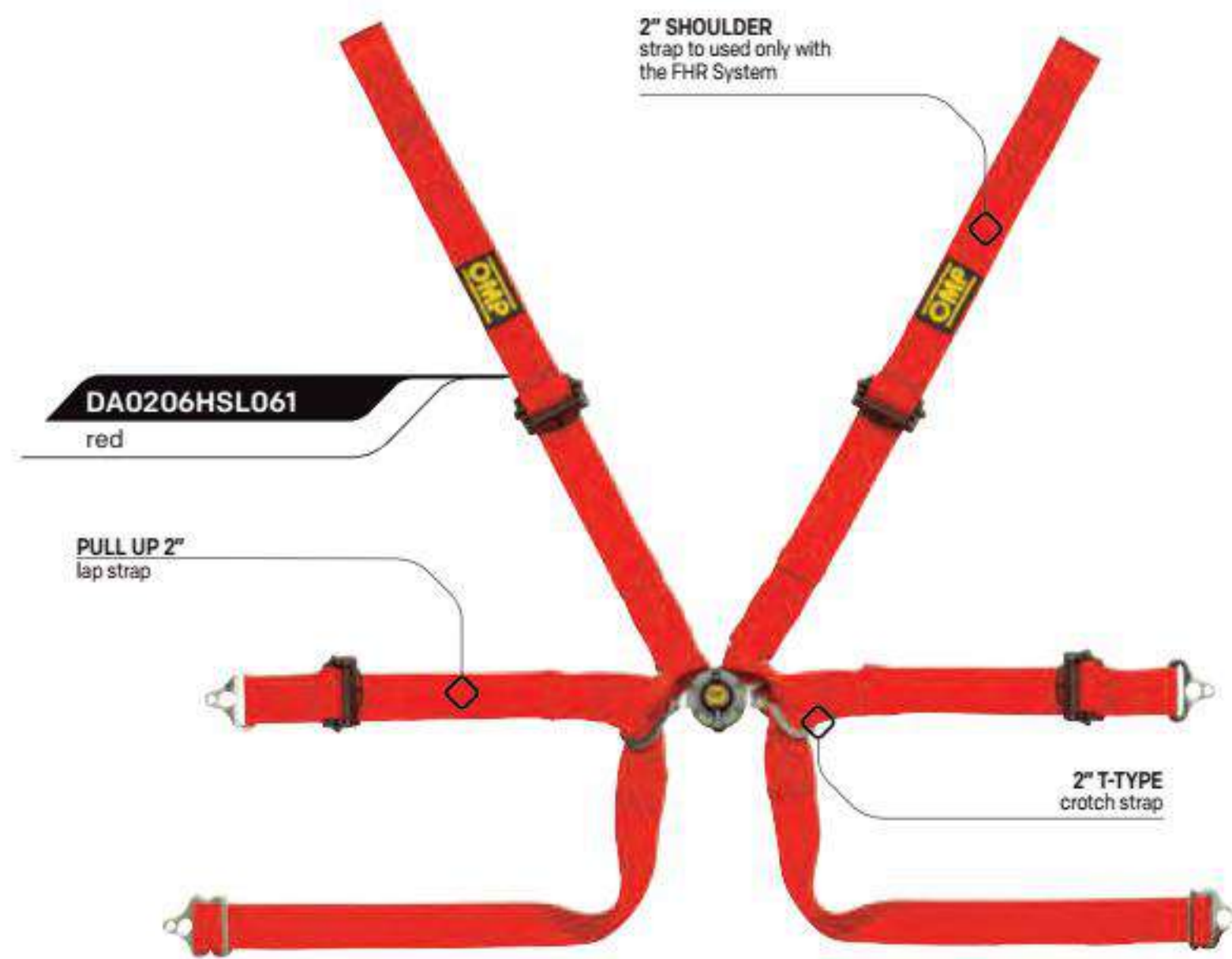


PLATE ATTACHMENTS FOR DA0206BHSL

Lightweight and comfortable safety harness for formula cars in polyester fabric. Forged aluminium ultralight adjusters, buckle in ergal machined from solid and magnesium. The Harness ensures best safety level ever thanks to the ultra-resistant buckle.



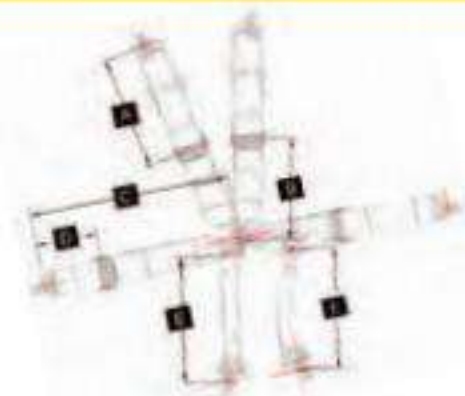
MANUFACTURER: OMP
MODEL: DA0206
HOM. NO. SH.037.17-T-6
FIA STANDARD: FIA 8853/2016



DA0206HSL071 black



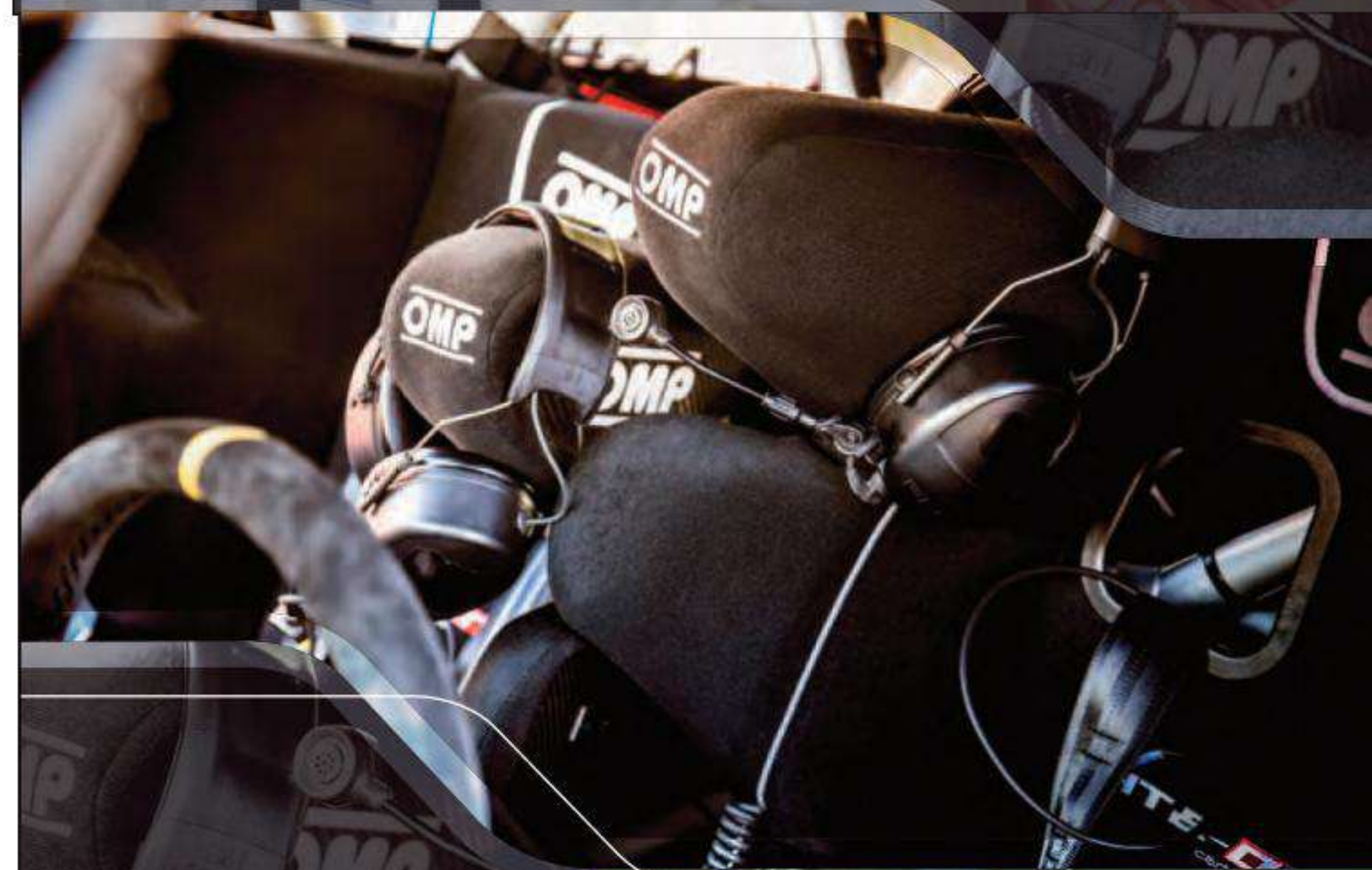
RACING HARNESS TABLE



HOMOLOG.	CAR	POINTS	MATERIAL	ADJUSTER	LAP STRAP PULL	MAGNESIUM FREE	HANS	SHOULDER		LAP		CROTCH		MEASURE IN MM					
								SIZE	ATTACH.	SIZE	ATTACH.	SIZE	ATTACH.	A	B	C	D	E	
DA0102 HSL																			
FIA 8853-2016	SALOON	6	DYNEEMA	ULTRA LIGHT	DOWN		ONLY	2"	ROLL BAR	2"	CARA-BINER	2"	SNAP HOOK	1650	390	750		700	
DA0202 HSL - DA0202B HSL																			
FIA 8853-2016	SALOON	6	POLYESTER	ULTRA LIGHT	DOWN		ONLY	2"	ROLL BAR	2"	CARA-BINER	2"	SNAP HOOK	1650	390	750		700	
DA0205 HSL																			
FIA 8853-2016	SALOON	6	POLYESTER	ULTRA LIGHT	UP/DOWN		ONLY	2"/3"	ROLL BAR/SNAP HOOK	2"	SNAP HOOK	2"	SNAP HOOK	1650	390	750	140	700	
DA0205B HSL																			
FIA 8853-2016	SALOON	6	POLYESTER	ULTRA LIGHT	DOWN		ONLY	2"	ROLL BAR	2"	SNAP HOOK	2"	SNAP HOOK	1650	390	750		700	
DA0203HL																			
FIA 8853-2016	SALOON	6	POLYESTER	LIGHT	UP		ONLY	2"/3"	ROLL BAR	3"	CARA-BINER	2"	SNAP HOOK	1650	390	750	140	700	
DA0204E																			
FIA 8853-2016	SALOON	6	POLYESTER	PROF.	UP		FRIENDLY	3"	ROLL BAR/SNAP HOOK	3"	SNAP HOOK	2"	SNAP HOOK	1650	390	750	140	700	
DA0204EH																			
FIA 8853-2016	SALOON	6	POLYESTER	PROF.	UP		ONLY	2"/3"	ROLL BAR/SNAP HOOK	3"	SNAP HOOK	2"	SNAP HOOK	1650	390	750	140	700	
DA0102FHSL																			
FIA 8853-2016	PROTOTIPO	6	DYNEEMA	ULTRA LIGHT	UP		ONLY	2"	SEWN WEBB	2"	PLATE	2"	PLATE	320	550	725	125	750	
DA0104HSL																			
FIA 8853-2016	FORMULA	6	DYNEEMA	ULTRA LIGHT			ONLY	2"	SEWN WEBB	2"	PLATE	2"	PLATE	310	390	600		700	
DA0206HSL FORMULA - DA0206BHSL FORMULA																			
FIA 8853-2016	FORMULA	6	POLYESTER	ULTRA LIGHT	UP		ONLY	2"	PLATE	2"	PLATE	2"	PLATE	320	550	725	125	750	
DA801 F																			
FIA 8853/98	SALOON	4	POLYESTER	PROF.	UP		FRIENDLY	3"	ROLLBAR / SNAP HOOK	3"	SNAP HOOK			1550	305	762	140		



Colin Turkington - 2018 BTCC champion





Lamborghini Supertrofeo - Imperiale Racing

SAFETY HARNESSES

ROAD 4M

DA507

HOMOLOGATION ECE
4 POINTS

Snap hook attachment.
Adjusters: steel.
Push button release: central.
Supplied with 7/16" bolts.



DA507071
black

DA507041
blue

DA507061
red

SHOULDER STRAPS
3"

LAP STRAPS 2"

SAFETY HARNESSES

RACING 4M

DA508

HOMOLOGATION ECE
4 POINTS

Snap hook attachment.
Adjusters: steel.
Push button release: central.
Supplied with 7/16" eye bolts.



DA508061
red

DA508041
blue

DA508071
black

SHOULDER STRAPS
3"

LAP STRAPS 2"

SAFETY HARNESSES

ROAD 4

DA505

HOMOLOGATION ECE
4 POINTS

Bolt-in attachment.
Adjusters: steel.
Push button release: central.
Supplied with 7/16" bolts.



DA505071
black

DA505041
blue

DA505061
red

SHOULDER STRAPS
3"

LAP STRAPS 2"

Bolt-in attachment.
Adjusters: steel.
Push button release: central.
Supplied with 7/16" bolts.

DA504061
redDA504041
blueDA504071
black

SHOULDER STRAPS 2"

LAP STRAPS 2"

Bolt-in attachment.
Adjusters: steel.
Push button release: central.
Supplied with 7/16" eye bolts.

DA509061
redDA509071
black

SHOULDER STRAPS 2"

LAP STRAPS 2"

HANS STRAP BOLDER

SD20

Hans strap bolder in rubber (pair), with sticker



SEAT BELT PLATE

DB/418

Seat belt plate with threaded 7/16" nut.
DIMENSIONS: 50x80x3 mm
FIA APPENDIX J art. 253



EYEBOLT

DB/420

7/16" eyebolt to attach harness snap-hook fittings.

A: 57 mm / B: 15.5 mm / C: 20 mm
D: 7/16" UNF / L: 22 mm / S: 8 mm



PLATE FOR EYEBOLTS

DB/421

Reinforced threaded plate for eyebolts.

DIMENSIONS: 50x25x6 mm



CUTTER

DB/459

Safety seat belt cutter.



CUTTER

DB/461

Safety seat belt cutter.



PROFESSIONAL CUTTER

DB/460E

Professional safety belt cutter with hammer, light, emergency lamp and magnet.



SEAT BELT PADS

DB/450/3

Yellow OMP logo.
In velour, use with 3" seat belts.
Clousure: velcro.

DB/450/3/B
blueDB/450/3/N
blackDB/450/3/R
red

SEAT BELT PADS

DB/454

White OMP logo.
In velour, use with 2" seat belts.
Clousure: velcro.

DB/454/B
blueDB/454/N
black

SEAT BELT PADS

DB/450

Yellow OMP logo.
In velour, use with 2" seat belts.
Clousure: velcro.

DB/450/B
blueDB/450/N
blackDB/450/R
red



ROLL BARS

FE 45 BOLT-IN

AB/100/...



FE45 steel bolt-in roll bars with \varnothing 40x2 & 50x2 tubing, connecting sleeve tubes and reinforced brace in the main hoop. Supplied with door bars and diagonal reinforcement at rear.

The photos associated to the first part of the part number of the rollbars are for illustrative purposes only. Please refer to our application list on www.ompracing.com to verify the real structure of the rollbars.

FE 45 BOLT-IN

AA/104P/...



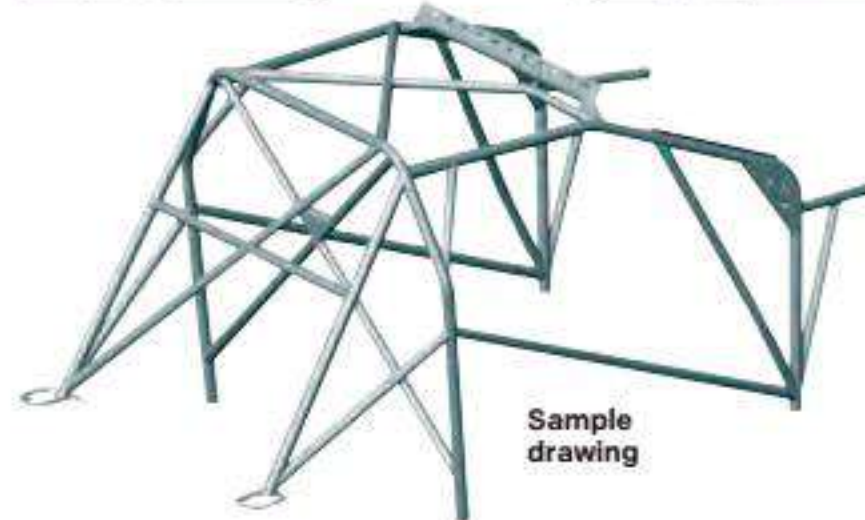
FE45 steel bolt-in roll bars with door bars. To be cut to measure and welded upon installation.

The photos associated to the first part of the part number of the rollbars are for illustrative purposes only. Please refer to our application list on www.ompracing.com to verify the real structure of the rollbars.

MULTI-POINT WELD-IN

AB/106/...A

AB/106/...AW

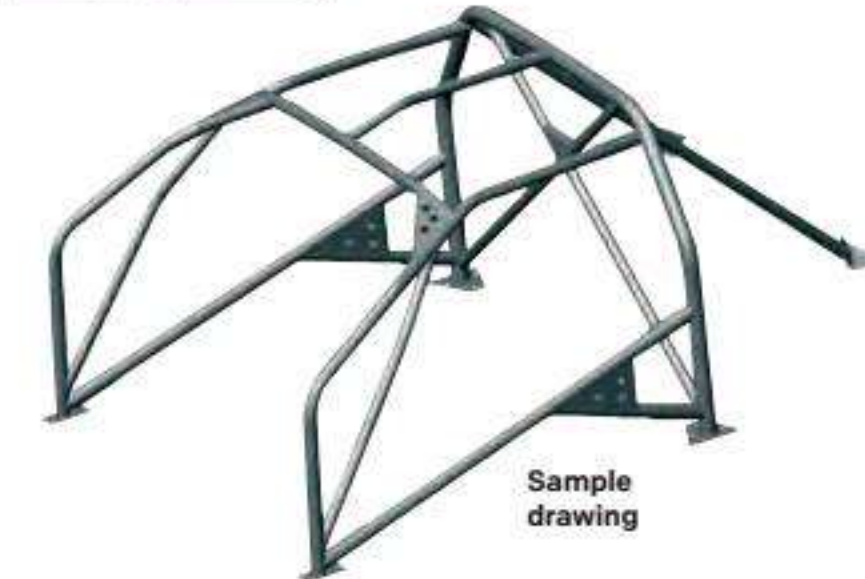


AB/106/...A supplied partially assembled. AB/106/...AW supplied not assembled. Multi-point weld-in chromoly (25CrMo4) roll bars. Reduced weight and improved rigidity compared with steel bolt-in roll bars. Supplied partially assembled to facilitate and reduce installation cost.

The photos associated to the first part of the part number of the rollbars are for illustrative purposes only. Please refer to our application list on www.ompracing.com to verify the real structure of the rollbars.

MULTI-POINT WELD-IN

AB/106/...B



Multi-point bolt-in chromoly (25CrMo4) roll bars. Reduced weight and improved torsional rigidity.

The photos associated to the first part of the part number of the rollbars are for illustrative purposes only. Please refer to our application list on www.ompracing.com to verify the real structure of the rollbars.

FE 45 BOLT-IN

AB/105P/...

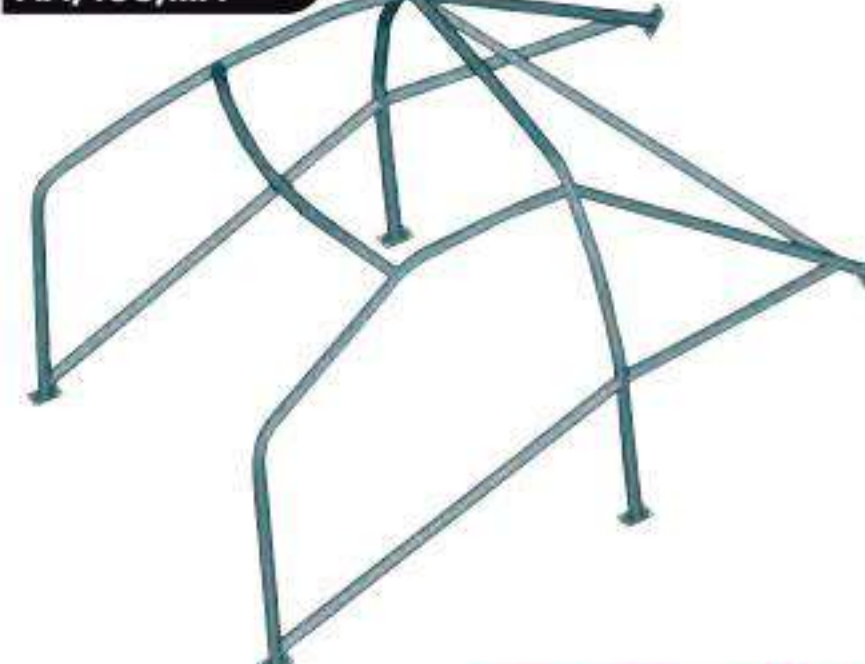


FE45 steel multi-point bolt-in roll bars with \varnothing 40x2 & 50x2 tubing, connecting sleeve tubes and door bars. To be cut to measure and welded upon installation.

The photos associated to the first part of the part number of the rollbars are for illustrative purposes only. Please refer to our application list on www.ompracing.com to verify the real structure of the rollbars.

FE 45 WELD-IN

AA/105/...A

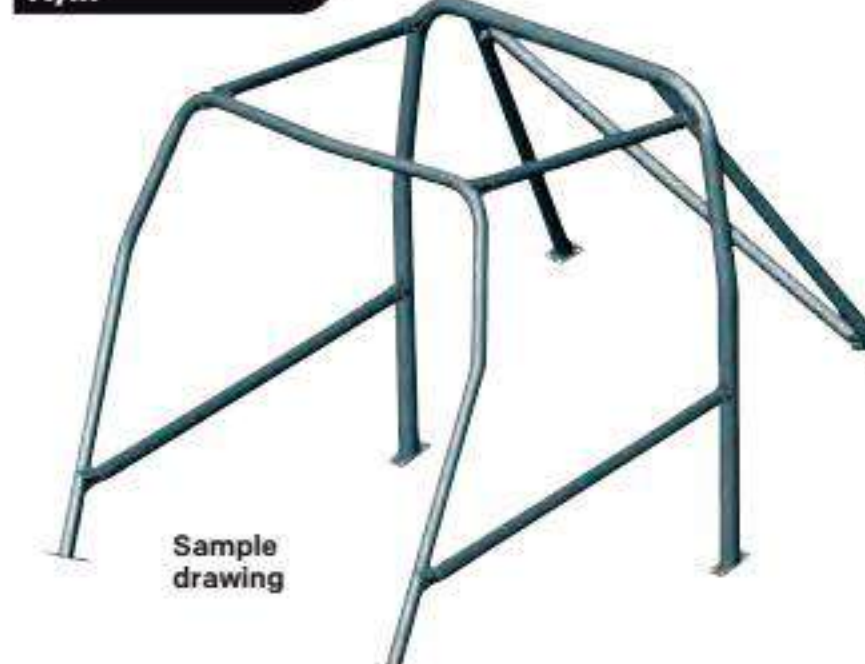


FE45 steel weld-in roll bars with \varnothing 50x2 tubing on the main hoop and \varnothing 40x2 tubing elsewhere. It may be necessary to remove or cut interior panels to facilitate installation.

The photos associated to the first part of the part number of the rollbars are for illustrative purposes only. Please refer to our application list on www.ompracing.com to verify the real structure of the rollbars.

OFF ROAD BOLT-IN

R/...



FE45 steel multi-point bolt-in roll bars with \varnothing 40x2 & 50x2 tubing, connecting sleeve tubes and door bars. To be cut to measure and welded upon installation.

The photos associated to the first part of the part number of the rollbars are for illustrative purposes only. Please refer to our application list on www.ompracing.com to verify the real structure of the rollbars.

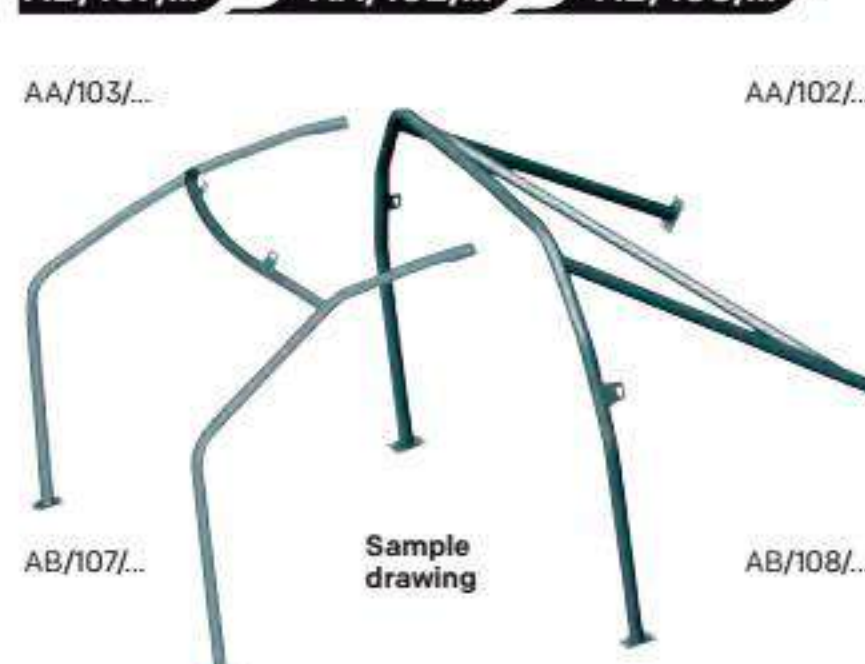
REPLACEMENT HOOP

AA/103/...

AB/107/...

AA/102/...

AB/108/...



FE45 steel weld-in roll bars with \varnothing 50x2 tubing on the main hoop and \varnothing 40x2 tubing elsewhere. It may be necessary to remove or cut interior panels to facilitate installation.

The photos associated to the first part of the part number of the rollbars are for illustrative purposes only. Please refer to our application list on www.ompracing.com to verify the real structure of the rollbars.

ROLL BARS NOT DISTRIBUTED IN THE US

ROLL BARS NOT DISTRIBUTED IN THE US

RUBBER SLEEVING

AA/113 FIA-J ALL

Foamed rubber sleeving for roll bar sold in pieces of 2 m.



AA/113-40 Ø 40 mm

AA/113-50 Ø 50 mm

CONNECTION

AA/122 FIA-J ALL

Connection for roll bar, complete with hardware.



AA/122-40
with tube Ø 40 mm

AA/122-50
with tube Ø 50 mm

PLATE

AA/175/S FIA-J ALL

Flat plate lower reinforcement for standard roll bars.
Dimensions: 100x120x3 mm



CONNECTING TUBE

AA/195 FIA-J ALL

Sleeve connecting tube in Fe45 steel for tubing Ø 40 mm



CONNECTING TUBE

AA/108 FIA-J ALL

Pair of door bars FE 45 steel, to be welded (no picture).
Length: 1.20 m - Thickness: 2 mm - Ø 40 mm



CONNECTING TUBE

AA/109 FIA-J ALL

Pair of door bars FE 45 steel, complete with connections.

Length: 1.25 m
Thickness: 2 mm
Ø 40 mm

ENERGY ABSORBING

AA116A TYPE A

€ 21,50 (C)

Rollbar padding
Molded energy absorbing roll bar padding suitable.
Length: 490mm
For tube Ø 30/40 mm



Personalized protection kit service based on customers' drawing.

ENERGY ABSORBING

AA115A TYPE A

Molded energy absorbing roll bar padding suitable for both.
Length: 490 mm
For tube Ø 40/50 mm



Personalized protection kit service based on customers' drawing.

REINFORCEMENT

AA/201 FIA-J ALL DIS 253-24

Reinforce roll bar crosses.
Thickness: 1,5 mm
Gusset: 100°



REINFORCEMENT

AA/175 FIA-J ALL

Universal "L" shaped reinforcement plate. Adjustable and suitable for any standard steel roll bar.

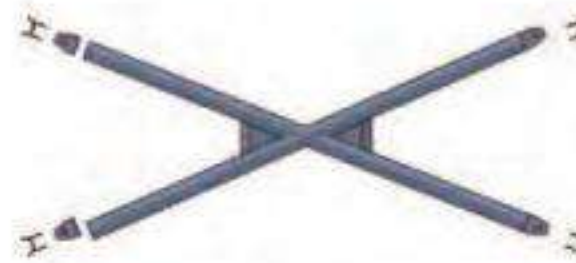
Thickness: 3 mm



REINFORCEMENT

AA/111 FIA-J ALL

Pair assembled cross door reinforcement, connections included.



REINFORCEMENT

AA/111A FIA-J ALL

Pair not assembled cross door reinforcement, connections included. Ø 40x2 mm



REINFORCEMENT

AA/204 FIA-J ALL

Pair of door reinforcements in FE45. Supplied with connecting sleeves. Nuts and bolts included.
Length: 1.25 m Ø 40x2 mm



REINFORCEMENT

AA/202A FIA-J ALL

Pair assembled cross door reinforcement, connections included. Ø 40x2 mm



COVERS

AA/113/FT

AA/113/FP



REINFORCEMENT

AA/203 FIA-J ALL

Kit (2+2) of perforated plates for rollbar fixing in.



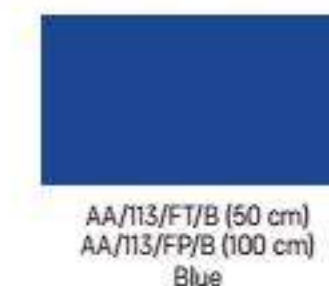
Front



Rear



AA/113/FT/R (50 cm)
AA/113/FP/R (100 cm)
Red



AA/113/FT/B (50 cm)
AA/113/FP/B (100 cm)
Blue



AA/113/FT/N (50 cm)
AA/113/FP/N (100 cm)
Black

Pair of door bar covers in velour material (same as competition seats) to cover rubber sleeving Ref. AA/113 velcro closing.

SUMPGUARDS, TANKGUARDS AND DIFFERENTIAL GUARDS

Made from a special aluminium alloy, these sumpguards have several functions: they protect the mechanical parts such as sump, gear-box, transmission etc. and they also contribute to stiffen the whole body and the front part of the car. For this reason they are suitable for every day use and are particularly useful for those driving on uneven roads.

Search Complete Application List also on www.ompracing.com





EXTINGUISHERS

CESAL4

ONE COLLECTION

Very compact and ultralight fire extinguisher system, electrically activated, suitable for saloon cars. FIA 8865-2015 rules complying. Aluminium bottle, the extinguisher can turn off fire in few seconds injecting in the cockpit and in the engine bay different fire-extinguishing medium. The system gets pressurized when activated enabling the discharge of the extinguishant. 3 noozles are for the engine bay in order to protect the most critical and dangerous parts depending on the type of vehicle, 2 noozles are for the cockpit to ensure the driver front and rear protection. The system is available in two versions: "L" version (only for medium-large sized cockpit) and "S" version (suitable for small size cockpit). L and S systems have the same weight, but different amount of fire extinguisher medium in way to be safe and efficient at the same time. Fixing brackets, clamps, tubing and connections are included.

Total weight: 5,4 kg (bottle only)

ULTRALIGHTWEIGHT
Ø 130 mm



LENGTH 275 mm (CESAL4S)
LENGTH 287 mm (CESAL4L)



Fire Extinguishing System in compliance with FIA 8865-2015 - Designed for use with 3M Novec® 1230 Fire Protection fluid.

- COCKPIT NOZZLE BRACKETS
2x
- ENGINE BAY NOZZLES
3x
- HOSE
7m
- 4M AL TUBING Ø8
2x
- STICKERS
2x
- CONTROL BOX
1x
- STRAIGHT ADAPTORS
2x
- PUSH BUTTON
1x
- NOZZLES
2x
- WIRING
- T CONNECTIONS
1x
- 90° CONNECTIONS
3x
- Y CONNECTIONS
2x

SALOON CARS



CESAL4L
FROM 2.2 M³ UP TO 4.1 M³



CESAL4S
FROM 1.2 M³ UP TO 2.2 M³

Homologated for use on:

- Petrol
- Petrol + up to 30% ethanol or methanol
- Petrol + up to 85% ethanol or methanol (E85)

WITH NEW
ANTITORPEDO BRACKET

CESAL5

TECNICA COLLECTION

It's a fire extinguisher system, electrically activated, suitable for saloon cars. The system will be homologated FIA 8865-2015. One single bottle made in aluminum. The extinguisher can turn off the fire in few seconds injecting 2 different fire-extinguishing medium. AFFF (Black side) to protect the engine bay and the clean agent NO-VEC1230 (Green side) to protect the cockpit. The system it's pressurized. 3 black nozzles are for the engine bay in order to protect the most critical and dangerous parts depending on the type of vehicle, 2 green nozzles are for the cockpit to ensure the driver front and rear protection. Fixing brackets, clamps, tubing and connections are included. Diameter 160mm. Weight: 6 kg. Length: 350 mm. "L" version suitable for medium-large sized cockpit. "S" version suitable for small sized cockpit. Total weight: 6 kg (bottle only)



WITH NEW
ANTITORPEDO BRACKET

NEW



LENGTH 350 mm

Fire Extinguishing System in compliance with FIA 8865-2015 - Designed for use with 3M Novec® 1230 Fire Protection fluid.

- COCKPIT NOZZLE BRACKETS
2x
- ENGINE BAY NOZZLES
3x
- HOSE
7m
- 4M AL TUBING Ø8
2x
- STICKERS
2x
- CONTROL BOX
1x
- STRAIGHT ADAPTORS
2x
- PUSH BUTTON
1x
- NOZZLES
2x
- WIRING
- T CONNECTIONS
1x
- 90° CONNECTIONS
3x
- Y CONNECTIONS
2x

SALOON CARS

CESAL5L
FROM 2.2 M³ UP TO 4.1 M³

CESAL5S
FROM 1.2 M³ UP TO 2.2 M³



MANUFACTURER: OMP
MODEL: CESAL5
HOM. NO: TBD
FIA STANDARD: TBD

FIA HOMOLOGATION PENDING
TECHNICAL DATA MAY
NOT BE ACCURATE

LIGHTWEIGHT
Ø 160 mm

EXTINGUISHERS

CEFAL 3

CEFAL3

FORMULA CARS

PLATINUM COLLECTION
Extinguisher system (engine compartment and cockpit) electrically activated, with control box, tubings, nozzles. Ultralight aluminium bottle with reduced dimensions.

0,9 lt of Ecolife

Total weight:
1,8 kg (with stainless steel brackets and clamps).



LENGTH 194 mm

THE SMALLEST IN THE WORLD

ULTRALIGHT
Ø 100 mm

WITH NEW ANTITORPEDO BRACKET



EXTINGUISHERS

CESAL 3R

CESAL3R

SALOON CARS
SPECIAL FOR RALLY

PLATINUM COLLECTION
Extinguisher system (engine compartment and cockpit) electrically activated, with control box, tubings, nozzles, aluminium bottle.

2,8 lt of Ecolife (3kg).

Total weight:
4,3 kg (with stainless steel brackets and clamps)



LENGTH 245 mm

Ø 160 mm

WITH NEW ANTITORPEDO BRACKET



EXTINGUISHERS

CESAL 3

CESAL3

SALOON CARS

PLATINUM COLLECTION
Extinguisher system (engine compartment and cockpit) electrically activated, with control box, tubings, nozzles. New ultralight aluminium bottle with reduced dimensions.

1,3 lt of Ecolife.

Total weight:
2,5 kg (with stainless steel brackets and clamps).



LENGTH 204 mm

ULTRALIGHT
Ø 130 mm

WITH NEW ANTITORPEDO BRACKET



EXTINGUISHERS

CEFAL 2

CEFAL2

FORMULA CARS

WHITE COLLECTION
Extinguisher system (engine compartment and cockpit) electrically activated, with control box, tubings, nozzles, aluminium bottle.

2,8 lt of Ecolife.

Total weight:
4,3 kg (with stainless steel brackets and clamps).



LENGTH 245 mm

Ø 160 mm

WITH NEW ANTITORPEDO BRACKET



EXTINGUISHERS

CESAL2

CEFAL2

SALOON CARS

WHITE COLLECTION

Extinguisher system (engine compartment and cockpit) electrically activated, with control box, tubings, nozzles, aluminium bottle.

4,5 lt of Ecolife

Total weight:
6,2 kg (with stainless steel brackets and clamps).



MANUFACTURER: OMP
MODEL: ECOLIFE
HOM. NO.: EX.0008.00
FIA STANDARD: FIA 2000



LENGTH 315 mm

Ø 160 mm

WITH NEW ANTITORPEDO BRACKET



EXTINGUISHERS

CESST1

CESST1

SALOON CARS

SPECIAL FOR RALLY

BLACK COLLECTION

Extinguisher system (engine compartment and cockpit) electrically activated, with control box, tubings, noozles, steel bottle.

4,25 lt of Ecolife.

Total weight:
7,7 kg (with stainless steel brackets and clamps)



MANUFACTURER: OMP
MODEL: ECOLIFE
HOM. NO.: EX.0008.00
FIA STANDARD: FIA 2000



LENGTH 330 mm

Ø 160 mm

WITH NEW ANTITORPEDO BRACKET



EXTINGUISHERS

CMSST1

CMSST1

SALOON CARS

BLACK COLLECTION

Extinguisher system (engine compartment and cockpit) mechanically activated, complete with tubings, nozzles, steel bottle.

4,25 lt of Ecolife.

Total weight:
8,1 kg (with stainless steel brackets and clamps).



MANUFACTURER: OMP
MODEL: ECOLIFE
HOM. NO.: EX.0008.00
FIA STANDARD: FIA 2000



LENGTH 330 mm

Ø 160 mm

WITH NEW ANTITORPEDO BRACKET



EXTINGUISHERS

CMFST1

CMFST1

FORMULA CARS

BLACK COLLECTION

Extinguisher system (engine compartment and cockpit) mechanically activated, tubings, nozzles, steel bottle.

2,8 lt of Ecolife.

Total weight:
5,6 kg (with stainless steel brackets and clamps).



MANUFACTURER: OMP
MODEL: ECOLIFE
HOM. NO.: EX.0009.00
FIA STANDARD: FIA 2000



LENGTH 297 mm

Ø 130 mm

WITH NEW ANTITORPEDO BRACKET



EXTINGUISHERS

OMP SPORT

CA/372

SALOON CARS

OMP SPORT
Extinguisher system
(engine compartment and cockpit)
mechanically activated, complete
with tubings, nozzles, steel bottle.

4,25 lt of Ecolife

Total weight:
8,1 kg (with stainless
steel brackets and clamps).



Ø 160 mm

LENGTH 330 mm



HAND HELD EXTINGUISHERS

ALUMINIUM EXTINGUISHER

CAB/316

EN3

Aluminium hand
held extinguisher,
2kg powder.
Complete with
stainless steel
brackets and quick
release calmps.

Total weight:
3,1 kg

Ø 108 mm



STEEL EXTINGUISHER

CAB/322

EN3

Steel hand held
extinguisher, 4kg
powder, A/B/C classes.
Complete with stainless
steel brackets and quick
release calmps.

Total weight:
6 kg

Ø 160 mm



Volkswagen I.D. R
Full electric prototype
New Pikes Peak hillclimb overall record set in 2018
Faster than any non-electric car in the most important hillclimb in the world



Pikes Peak - Volkswagen Motorsport/Romain Dumas

STEEL EXTINGUISHER

CAB/319

Steel hand held
extinguisher,
2 l Ecolife. Complete
with aluminium
brackets and
stainless steel quick
release calmps.

Total weight:
5 kg

Ø 130 mm

 CAB/319/R
Red

CAB/319
Black



ALUMINIUM EXTINGUISHER

CBB/351

IN COMPLIANCE
WITH FIA RULES

Aluminium hand held
extinguisher, 2,4 l
Ecolife. Complete with
stainless steel brackets
and stainless steel quick
release calmps.

Total weight:
4 kg

Ø 130 mm

 CBB/351/R
Red

 CBB/351
White



REPLACEMENT PARTS

ONE - TECNICA COLLECTIONS

CD/415

90° end connection, 1/8" with quick attachments. Ø 8mm



CD/417

Fixing brackets with clamps for 160mm. Anti-torpedo.



CD/409

Cockpit nozzle fixing bracket (for CD/410)



CD/410

Nozzle (cockpit) specifically for CESAL4



CD/393/N

Atomizer nozzle (engine bay) specifically for Ecolife systems



CD/416

Straight connection, 1/8" with quick attachments. Ø 8mm



CD/412

"T" shaped 3-way connection, 1/8" with quick attachments. Ø 8mm



CD/360

Control box for electrically activated extinguishing systems. With new advanced electronic unit complying with FIA 8856-2015 rules. Complying with IP55 waterproof standard.



CD/414

"Y" shaped connection, 1/8" with quick attachments. Ø 8mm



CD/323/A

Aluminium tubing Ø 8 mm L 4 m



CD/324/10/N

Fire resistant sheath 5 m roll, Ø 10 mm (or Ø 8mm ref. CD/324/8/N).



CD/324/6/N

Fire resistant sheath 5m roll Ø 6mm



X/CAB/SSM

Bottle cable.



X/CAB/360

Control box cable.



PLATINUM COLLECTION

CD/395/N

Straight connection Ø 8 mm (1/8" junction).



CD/392/N

1/8" connection, "T" shaped with quick couplings. Ø 8 mm



CD/392/N/6

1/8" connection, "T" shaped with quick couplings. Ø 6 mm



CD/390/N

3-way connection with quick attachments, Ø 8 mm.



CD/399

Reduction tube Ø 6-8 mm.



CD/391/N

90° end connection, 1/8" shaped with quick attachments. Ø 8 mm



CD/391/N/6

90° end connection, 1/8" shaped with quick attachments. Ø 6 mm



CD/323E/N/8

Aluminium tubing Ø 8 mm - L. 5 m



CD/323E/N/6

Aluminium tubing Ø 6 mm - L. 3 m



CD/400E

Antitorpedo bracket and clamps for CEFAL3. (no picture)

CD/401E

Antitorpedo bracket and clamps for CESAL3. (no picture)

CD/407

Y shaped connection with quick attachments Ø 8mm)



PLATINUM - WHITE - BLACK COLLECTIONS

CD/393

Atomiser nozzle specifically for Ecolife systems to be threaded onto "T" or "L" connectors.



CD/398

Control box for electrically activated units with wiring harness 1,5 m



CD/324/10/N

Fire resistant sheath 5 m roll, Ø 10 mm (or Ø 8mm ref. CD/324/8/N).



X/363/E/CAV

Electric extinguisher valve cable w. jack.



X/398/CAV

Control box cable.



BLACK COLLECTION

CD/335

Pull cable for mechanically operated systems.



WHITE - BLACK COLLECTIONS - OMP SPORT

CD/394

Straight connection (1/4" junction).



CD/395

Straight connection (1/8" junction).



CD/392

1/8" connection, "T" shaped with quick couplings.



CD/391

90° end connection, 1/8" shaped with quick attachments.



CD/390

3-way connection with quick attachments.



CD/323/A

Aluminium tubing Ø 6 mm - 4 m



CD/404

Bracket only for OMP Sport CA/372 (no picture)

ONE - TECNICA - PLATINUM - WHITE - BLACK COLLECTIONS

X/855

Sticker



X/181493

Rubber protection ring for push button EA/467



EA/467

Water-proof push button for external control.



HAND HELD EXTINGUISHERS

CD/312E

Brackets for STEEL HAND HELD extinguishers Ecolife: CAB/316, Ø 108 mm (no picture)

CD/309

Brackets for STEEL HAND HELD extinguishers Ecolife: CAB/319, Ø 132 mm



CD/356

Bracket for ALUMINIUM HAND HELD extinguisher: CBB/351 Ø 130 mm



CD/311/S-AT

Anti-torpedo tabs for double brackets extinguishers.



CD/300-AT

Anti-torpedo tabs for mono brackets extinguishers (e.g. CEFAL3).



CD/405E

Bracket for STEEL extinguisher CAB/322, Ø 160 mm (no picture)

Support brackets are made according to the current FIA standard



RACING

PAG. 202



VINTAGE

PAG. 216



OFF ROAD

PAG. 217

STEERING WHEELS

STEERING WHEELS

320 HYBRID S

OD/2048

CARBON FIBER AND DYNEEMA®

FLAT

SUPPLIED WITH HORN BUTTON

SUPER PROFESSIONAL RALLY STEERING WHEEL
Flat steering wheel made with a new exclusive composite technology (carbon fiber and Dyneema®) 300% more resistant than the carbon steering wheel and 20% lighter. Supplied with horn button.
Prepared to install 4 buttons (not included) Realized and developed in cooperation with 4 times WRC world champion VW Motorsport.



**OVER 20% LIGHTER
300% MORE RESISTANT**

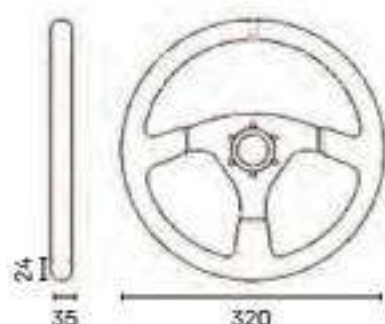
IN COMPARISON WITH CARBON VERSION



4 PREDRILLED HOLES

SUEDE LEATHER

CARBON DYNEEMA®



Diameter: 320 mm
Handgrip: oval 35x24 mm

STEERING WHEELS

310 ALU GT

OD/2044/N

ALUMINIUM FLAT

SUPERLIGHT PROFESSIONAL GT STEERING WHEEL
Completely made in aluminium and suede leather.
Studied and ready for the installation of most popular electronic display like: MoTec C125 and AiM MXL

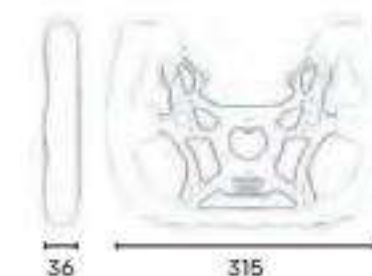


SAMPLE IMAGE OF MOTEC C125 SETUP.

SUEDE LEATHER



ITALIAN FLAG COLORED STITCHING



Diameter: 315 mm
Handgrip: oval 36x30 mm

STEERING WHEELS

320 CARBON S

OD/2032/N

CARBON FIBER
FLAT
SUPPLIED WITH
HORN BUTTON

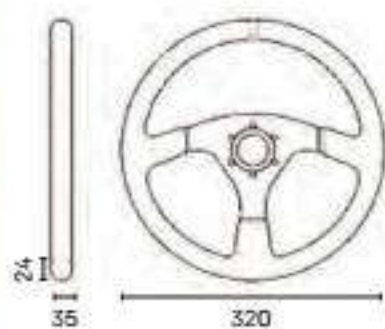
SUPERLIGHT PROFESSIONAL STEERING WHEEL
Carbon steering wheel is constructed as one integral piece.



**50% LIGHTER
15% MORE RESISTANT**
IN COMPARISON WITH STANDARD VERSION



**DESIGNED
IN COOPERATION
WITH P. SOLBERG**



Diameter: 320 mm
Handgrip: oval 35x24 mm

STEERING WHEELS

350 CARBON D

OD/2028/N

CARBON FIBER
DISHED
SUPPLIED WITH
HORN BUTTON

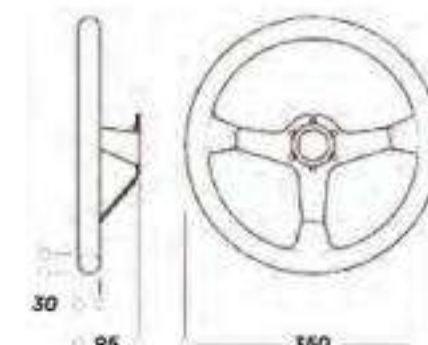
SUPERLIGHT PROFESSIONAL DISHED STEERING WHEEL
Carbon steering wheel is constructed as one integral piece.



**50% LIGHTER
15% MORE RESISTANT**
IN COMPARISON WITH STANDARD VERSION



BLACK STITCHING



Diameter: 350 mm
Handgrip: round 30 mm

STEERING WHEELS

320 ALU SP

OD/2042F

ALUMINIUM
FLAT
SUPPLIED WITH
HORN BUTTON

LIGHT PROFESSIONAL STEERING WHEEL
Made completely in aluminium and suede leather.
Perforated version with central hole supplied with horn button.
This version has been derived from the model 320 Carbon S, which has been designed in cooperation with P. Solberg (FIA World RX 2014/21015 Winner)



320 ALU S OD/2042/N

Same characteristics as OD/2042F.
Whitout central horn button.



STEERING WHEELS

RECCE

OD/2046

ALUMINIUM
FLAT
SUPPLIED WITH
HORN BUTTON

SUPERLIGHT PROFESSIONAL RALLY STEERING WHEEL
Flat steering wheel, in aluminium, 350 mm diameter, round 30 mm handgrip. With colored marks on the crow to indicate steering wheel angles (0° - 25° - 55° - 100° - 160°).



STEERING WHEELS

VELOCITÀ SUPERLEGGERO OD/2020/N

MADE COMPLETELY FROM ALUMINIUM
40% lighter than equal model Velocità OD/1958.

40% LIGHTER
IN COMPARISON WITH STANDARD VERSION

ALUMINIUM
FLAT
SUPPLIED WITH
HORN BUTTON



SUEDE LEATHER

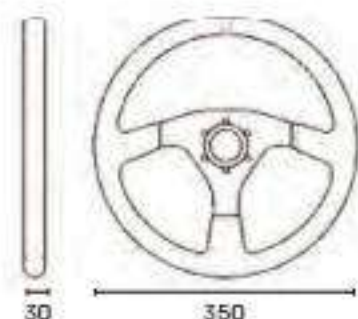
BLACK ANODIZED SPOKES

BLACK STITCHING

VELOCITÀ OV SUPERLEGGERO

OD/2035/N

Same characteristics as OD/2020/N.
Oval section version.
Diameter: 320 mm



Diameter: 350 mm
Handgrip: round 30 mm



STEERING WHEELS

CORSICA SUPERLEGGERO OD/2021/N

LIGHT PROFESSIONAL STEERING WHEEL
Made completely in aluminium.
40% lighter than equal model Corsica OD/1954.

40% LIGHTER
IN COMPARISON WITH STANDARD VERSION

ALUMINIUM
DISHED
SUPPLIED WITH
HORN BUTTON



SUEDE LEATHER

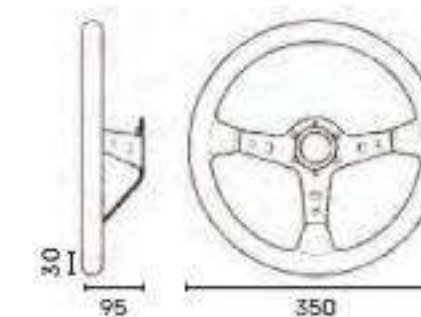
BLACK ANODIZED SPOKES

BLACK STITCHING

CORSICA OV SUPERLEGGERO

OD/2034/N

Same characteristics as OD/2021/N.
Oval section version.
Diameter: 350 mm



STEERING WHEELS

CORSICA

OD/1954
OD/1956

DISHED
SUPPLIED WITH
HORN BUTTON

PROFESSIONAL STEERING WHEEL
Made in aluminium and steel.



SUEDE LEATHER

BLUE ANODIZED SPOKES

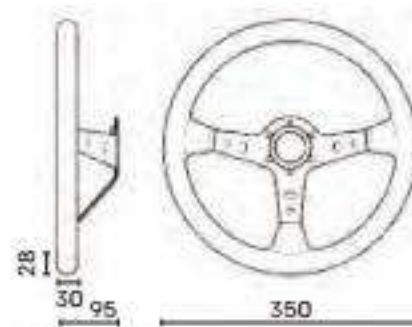
OD/1954/BN



CORSICA 330

OD/2012/N

In suede leather.
Black anodized spokes.
Yellow stitching.
Diameter: 330 mm



Diameter: 350 mm
Handgrip: oval 30x28 mm
Depth: 95 mm

STEERING WHEELS

RALLY

OD/1950
OD/1951

DISHED
SUPPLIED WITH
HORN BUTTON

PROFESSIONAL STEERING WHEEL
Made in aluminium and steel.

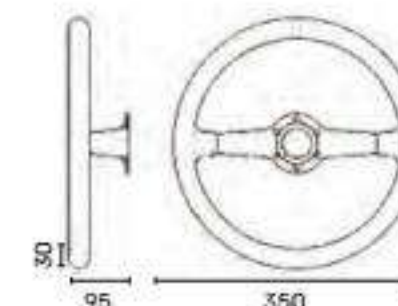


SMOOTH LEATHER

BLACK ANODIZED SPOKES

YELLOW STITCHING

OD/1950/N



Diameter: 350 mm
Handgrip: round 30 mm
Depth: 95 mm

STEERING WHEELS

WRC

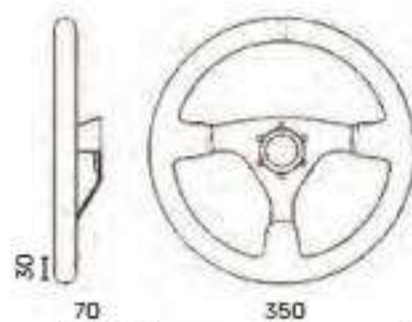


OD/1979

OD/1980

MID-DEPTH DISHED
SUPPLIED WITH HORN BUTTON

OD/1979/N



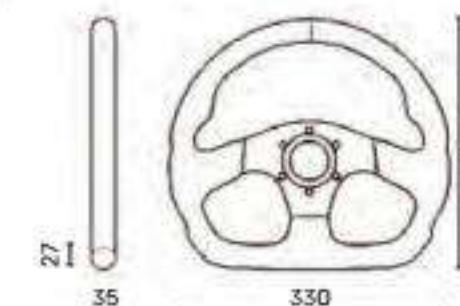
Diameter: 350 mm
Handgrip: round 30 mm
Depth: 70 mm

STEERING WHEELS

SUPERQUADRO

OD/1990/NN

FLAT
SUPPLIED WITH
HORN BUTTON



Diameter: 330x290 mm
Handgrip: oval 35x27 mm

STEERING WHEELS

VELOCITÀ

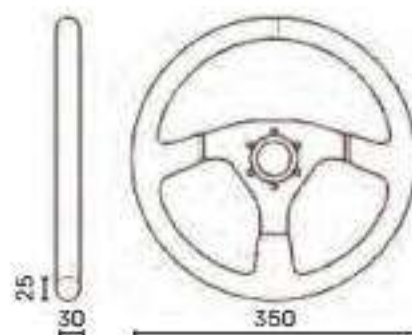


OD/1957

OD/1958

FLAT SUPPLIED
WITH HORN BUTTON

OD/1957

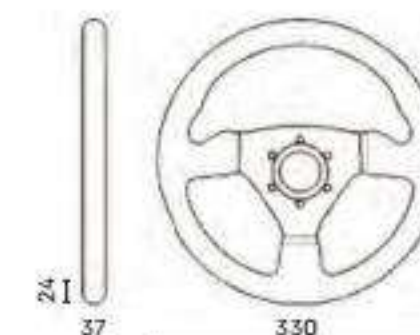


STEERING WHEELS

TARGA

OD/2005/NN

FLAT
SUPPLIED WITH
HORN BUTTON



Diameter: 330 mm
Handgrip: oval 37x24 mm

VELOCITÀ 380



Handgrip:
oval 35x30 mm

BLACK STITCHING

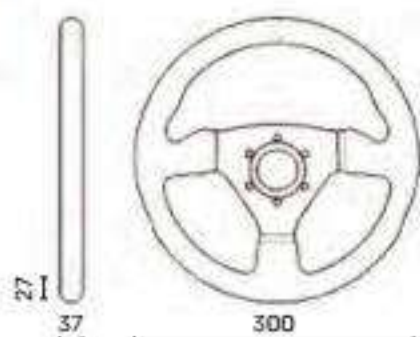
STEERING WHEELS

TRECENTO



OD/1975/N
OD/1976/N
FLAT
SUPPLIED WITH HORN BUTTON

OD/1975/N



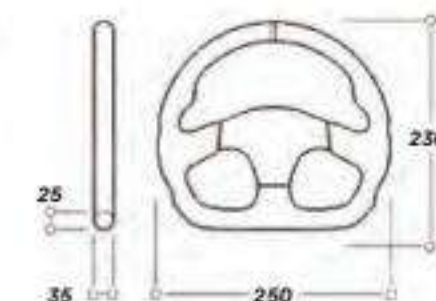
Diameter: 300 mm
Handgrip: oval 37x27 mm

STEERING WHEELS

FORMULA QUADRO

OD/1972/N

SINGLE SEATER



Diameter: 250x200 mm
Handgrip: oval 35x25 mm

STEERING WHEELS

KUBIK



OD/1985

FLAT
SUPPLIED WITH HORN BUTTON



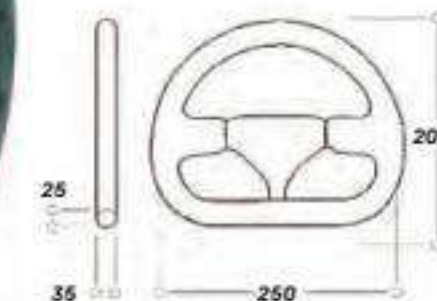
Diameter: 310x265 mm
Handgrip: oval 35x28 mm

STEERING WHEELS

INDY

OD/2016/NN

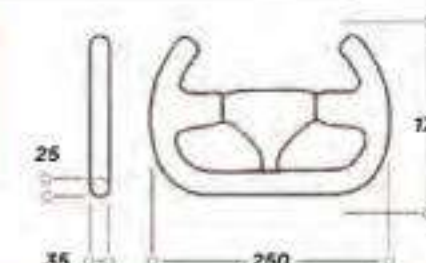
SINGLE SEATER



Diameter: 250x200 mm
Handgrip: oval 35x25 mm

INDY OPEN OD/2017/N

Same characteristics as OD/2016/NN. Open upper part version.



Diameter: 250x170 mm
Handgrip: oval 35x25 mm

STEERING
WHEELS

MUGELLO

OD/2023/LE

FLAT
SUPPLIED WITH HORN BUTTON

Diameter: 350 mm
Handgrip: round 30 mm



STEERING
WHEELS

CROMO

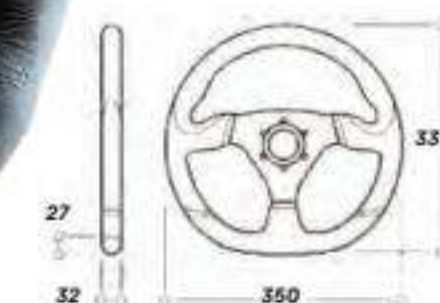
OD/2018/N

FLAT
SUPPLIED WITH HORN BUTTON

PERFORATED
LEATHER INSERTS

SMOOTH LEATHER

CHROME
SPOKES



Diameter: 350 mm
Handgrip: oval 32x27 mm

STEERING
WHEELS

SAND

OD/2031

IN POLYURETHANE
FLAT
SUPPLIED
WITH HORN BUTTON



BLACK ANODIZED
SPOKES

BLACK STITCHING



Diameter: 380 mm
Handgrip: round 30 mm

STEERING
WHEELS

ASSO

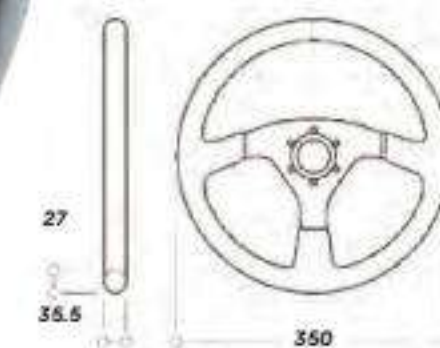
OD/2019/LN

SINGLE SEATER

SMOOTH LEATHER

SMOOTH LEATHER

CHROME
SPOKES



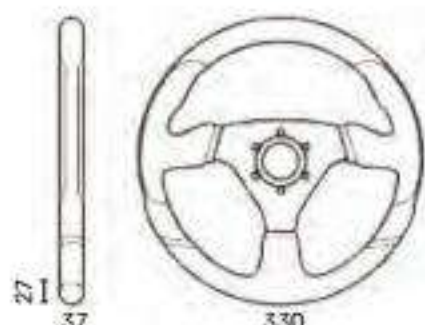
Diameter: 350 mm
Handgrip: oval 35,5x27 mm

STEERING WHEELS

RACING GP

OD/1981/NN

FLAT SUPPLIED
WITH HORN BUTTON



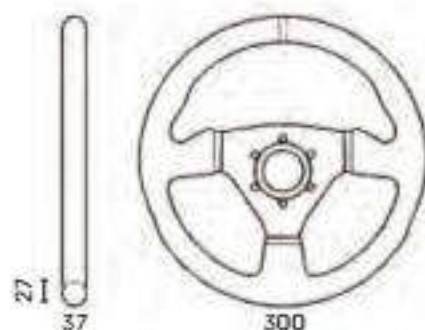
Diameter: 330 mm
Handgrip: oval 32x27 mm

STEERING WHEELS

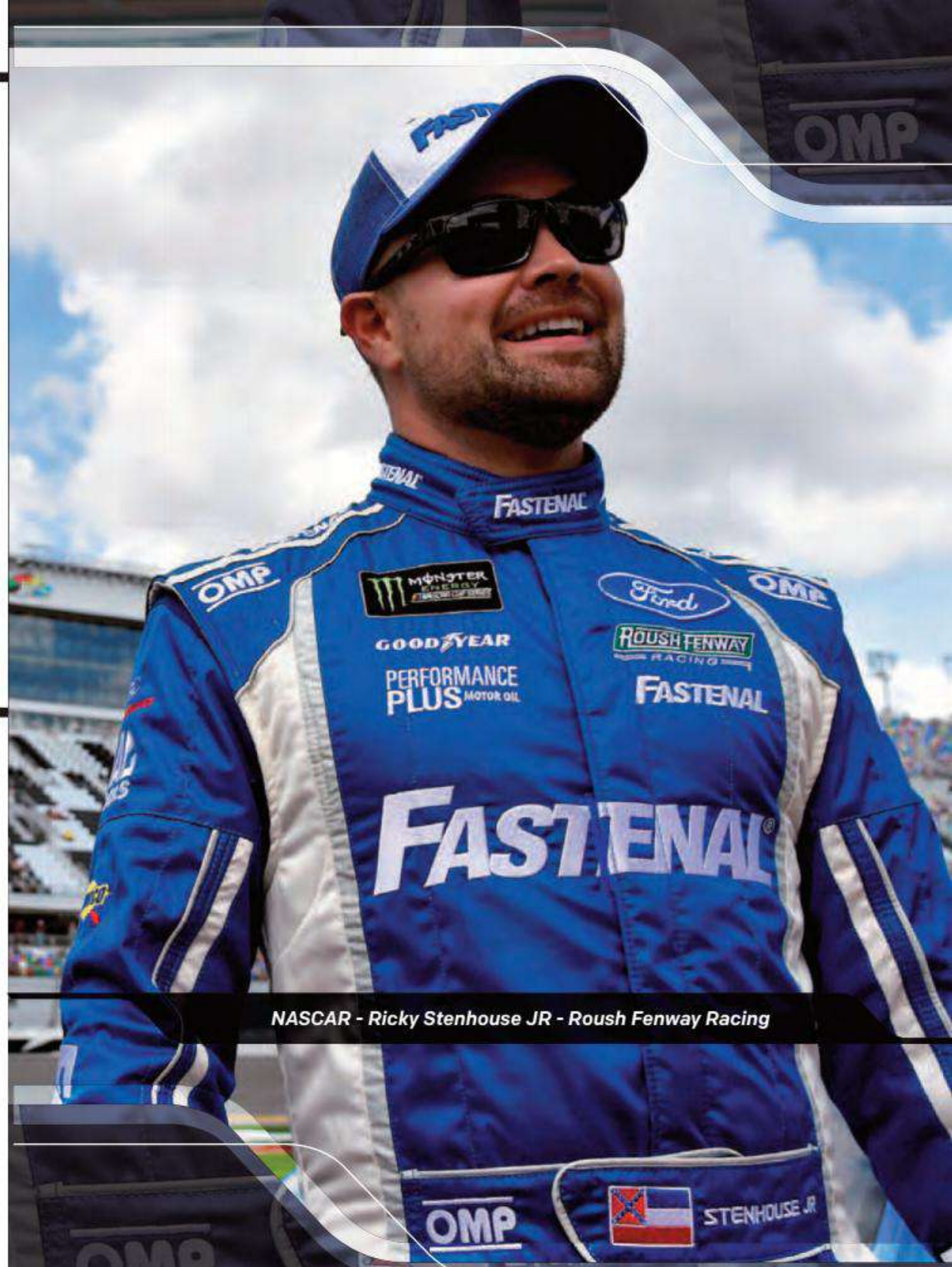
TRECENTO UNO

OD/1989/NN

FLAT SUPPLIED
WITH HORN BUTTON



Diameter: 300 mm
Handgrip: oval 32x27 mm



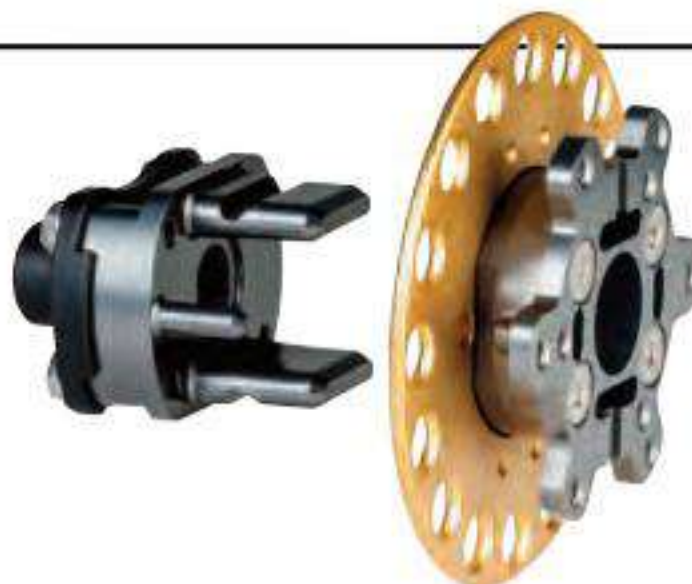
NASCAR - Ricky Stenhouse JR - Roush Fenway Racing

QUICK RELEASE HUB TO BE WELDED

Quick release hub in aluminium with 6 holes. Compatible with 3 or 6 holes steering wheel. Recommended to be use PTFE dry lube to get the best performance and preserve all components.

Also available with 11 pin professional electrical connector included (this part is an high performance interconnection engineered with arc-shape metal guides, which ensure a rapid and precise alignment of the 11 contacts. Aluminium body, IP68 sealing, 10000 cycles guarantee, high temperature and chemical resistance).

Connector model:
FISCHER SFE-104-A086-130 (male)
FISCHER DEU-104-A092-130 (female)



ODS/024/W

ODS/024/WE

to be welded

to be welded with
connector included

QUICK RELEASE HUB TO BE BOLTED

Quick release hub in aluminium with 6 holes. Compatible with 3 or 6 holes steering wheel. Recommended to be use PTFE dry lube to get the best performance and preserve all components.

Also available with 11 pin professional electrical connector included (this part is an high performance interconnection engineered with arc-shape metal guides, which ensure a rapid and precise alignment of the 11 contacts. Aluminium body, IP68 sealing, 10000 cycles guarantee, high temperature and chemical resistance).

Connector model:
FISCHER SFE-104-A086-130 (male)
FISCHER DEU-104-A092-130 (female)



ODS/024/B

ODS/024/BE

to be welded

to be welded with
connector included

QUICK RELEASE HUB

6 holes quick release hub in aluminium. With 'butterfly' shape to avoid interaction with shift paddle. Compatible with 3 or 6 holes steering wheel. Available in to be welded version (ODS/025/W) or in to be bolted version (ODS/025/B).

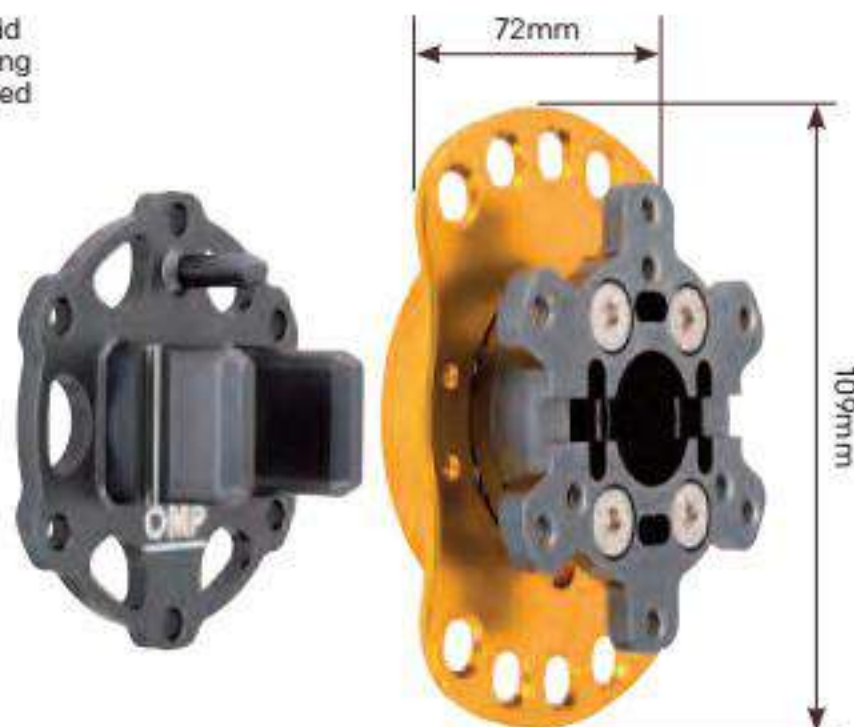
ODS/025/B

ODS/025/W

to be bolted

to be welded

NEW



WHEEL PLATE

OD/2029

Carbon fiber.
Thickness: 2.5 mm

For use of up to 2 buttons (included).
2 drill points for attachment between steering wheel and hub. Fixing screws included.



Example of mounted plate



FIXED STEERING WHEEL SPACERS

ODC023

Depth: 60mm

ODC023181
anodized silver

ODC023171
anodized black



WHEEL PLATE

OD/2026

Carbon fiber.
Thickness: 2.5 mm

For use of up to 4 buttons (not included).
6 drill points for attachment.
Fixing screws included.



STEERING WHEEL HUBS

OD/1960/...

These steering wheel hubs have been designed so as to maintain the original steering wheel (flat model) position.





WTCR - F. GIOVANARDI - ROMEO

CAR ACCESSORIES

RACING NETS

RACING NET

NA/1876

FIA homologated 8863-2013

Professional entry level racing net with quick release and quick front strap adjustment to fit with several seat positions. Designed to be mounted on the left or on the right side of the driver.



RACING NET

NA/1875

FIA homologated 8863-2013

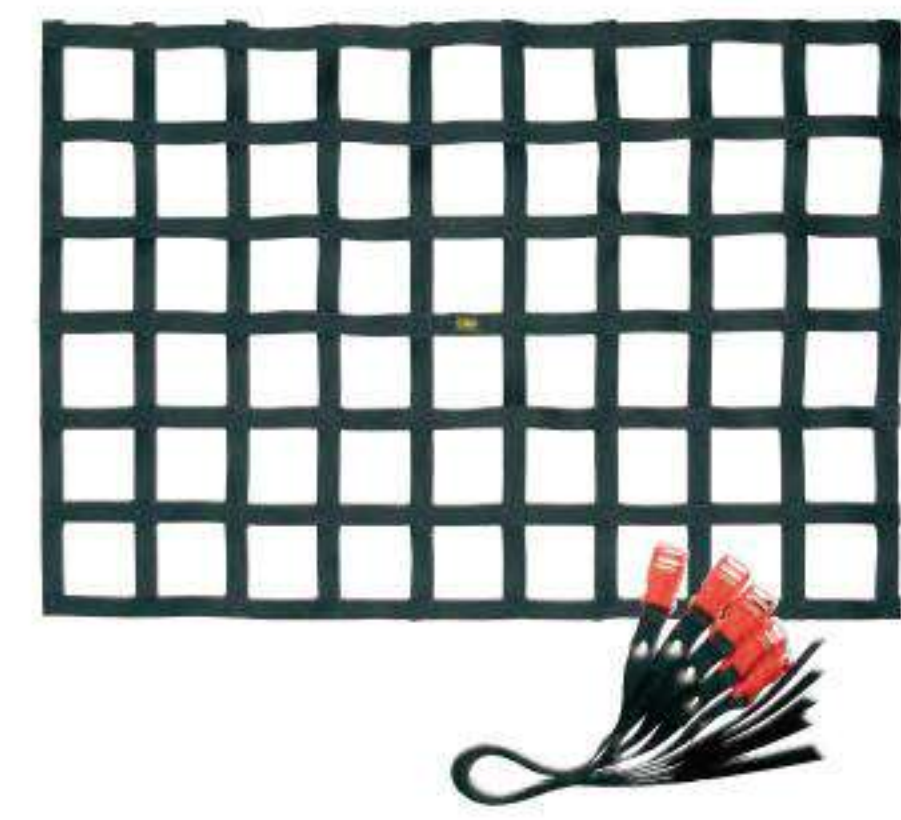
Professional racing net with small-sized quick release to improve driver's field of view and front strap adjustment to fit with several seat positions. Designed to be mounted on the left or on the right side of the driver.



WINDOW NET

NA/1870/TN

Nylon window safety net.
Attachment: velcro.
Dimensions webbing: 60x60 mm
FIA J 253.11 compliant



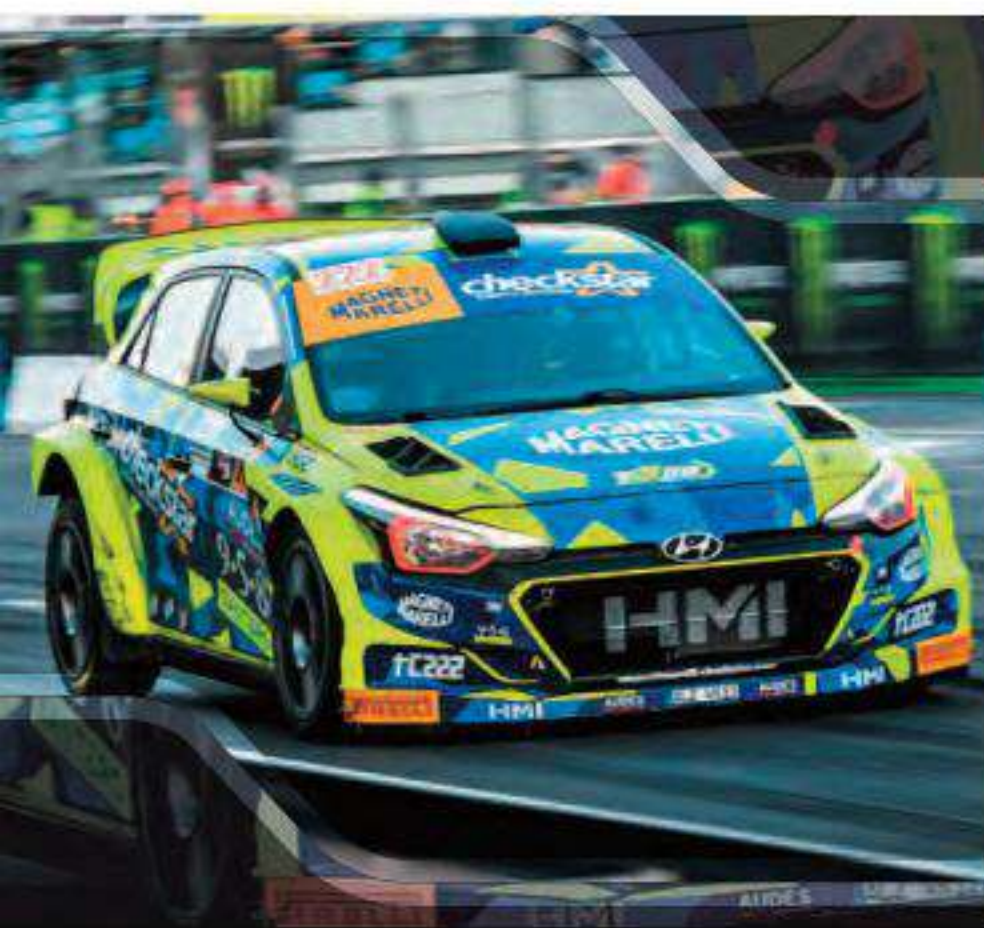
RACING NET

NA/1877

FIA homologated 8863-2013

Professional top level racing net with quick release, quick front strap adjustment to fit with several seat positions, large triangle to allow an easier mounting complying FIA rules and thinner straps to improve driver's field of view. Designed to be mounted on the left or on the right side of the driver.





NA/1700

Red

NA/1700/R

Blue

NA/1700/B

Trasparent

NA/1700

Polyethylene splash guard.
Dimensions: 50x30 cm
Thick: 1,5 mm



NA/1819



Spare wheel support with quick release system.

NA/1821



Combination steel cross wheel spanner and spare wheel support.

NA/1820



Steel sheel spanner holder.

NA/1564



Ear plugs.

NA/1822



Nylon spare wheel down strap.

CD/324/10/N



Fire resistant sheath.
Ø Internal: 10mm
Lenght: 5m

NA/1859



Grey
NA/1859081

Black
NA/1859071

Tank tape.
Wide: 50 mm
Roll: 50 m

EB/489



Stainless steel pins with large slide pins.

EB/491



Stainless steel spring clips. Suitable for hatchbacks.

EB/487/N



Leather straps.

EB/578/R

FIA APPENDIX J art. 253

Straps. 2" ø ring: 14 mm
Chassis fixing: two hole 8mm and 14mm

EB/480



M10 aluminium pins with small sliding pins in stainless steel.

EB/490

M10 stainless steel pins slide with large cast aluminium washers.

OPEN



CLOSED

EB/483

Rubber hooks (large).

EB/580

FIA APPENDIX J art. 253

Straps. 2" With restraint elastic strap. Compliant with FIA rules.

EB/492

Red

EB/492/R

Aluminium

EB/492/A

Black

EB/492/N

Quick release bonnet pins aluminium W 7/16" with stainless steel hardware.



Blue

EB/492/B

EB/482

Rubber hooks (small).

EB/571

FIA APPENDIX J art. 253

Tow hook, stainless steel painted finish. Stud: M 12 Internal ø: 50mm Thickness: 8mm Complete: locking nut and washers.



EB/576

FIA APPENDIX J art. 253

Two hook, stainless steel painted finish. Stud: M 12 Internal ø: 80mm Thickness: 8mm Complete: locking nut and washers.



EB/572

Aluminium tow hook, flat. Thickness: 6 mm



OA/1010



Complete 3 pedal in sandblasted aluminium, with a long accelerator pedal. Supplied with steel bolts.
Dimensions brake: 60x100 mm
Dimensions accelerator: 60x210 mm

OA/1000



Complete 3 pedal in sandblasted aluminium, with a long accelerator pedal. Supplied with steel bolts.
Dimensions brake: 60x100 mm
Dimensions accelerator: 60x100 mm

OA/1020



Complete 3 pedal in sandblasted aluminium, with a long accelerator pedal. Supplied with steel bolts.
Dimensions brake: 60x70 mm
Dimensions accelerator: 60x210 mm

OA/1863



Complete 3 pedal in sandblasted aluminium, with a long accelerator pedal. Supplied with steel bolts.
Dimensions brake: 60x70 mm
Dimensions accelerator: 85x120 mm

OA/1030



Complete 3 smooth aluminium pedal, suitable for rally use, already drilled and countersunk. Supplied with steel bolts.
Thick: 3 mm

OA/1050



Same features as partnumber OA/1030, but the surface of the pedals is in knurled aluminium and can be shaped as needed.
Thick: 2,5 mm

OA/2070



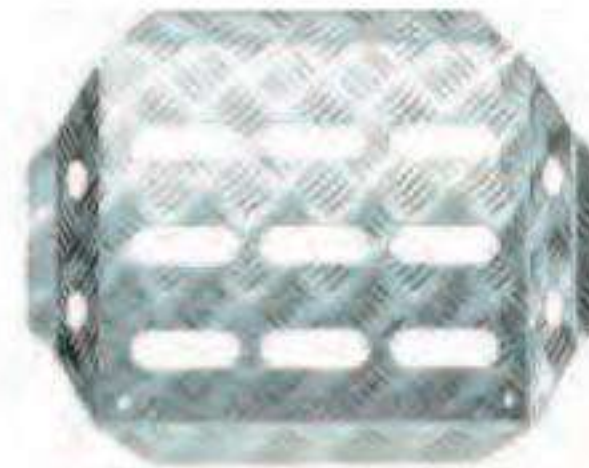
Driver's left footrest in knurled aluminium.
Dimensions: 285x120 mm

OA/1867



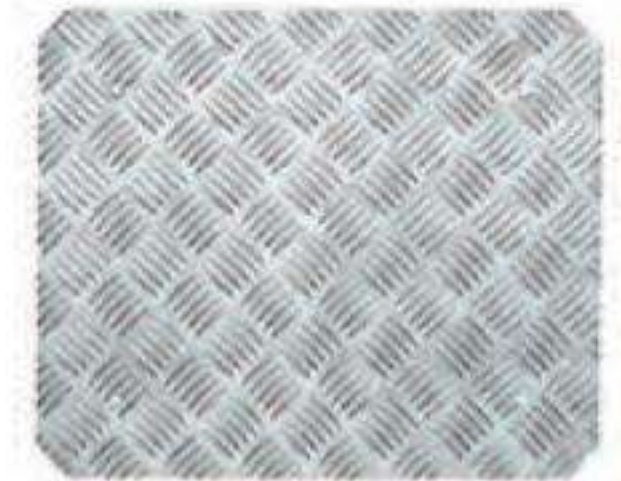
Driver's left footrest for left foot, in sandblasted aluminium. Supplied with steel bolts and brackets.
Dimensions: 260x100 mm

OA/2060



Co-driver's footrest in knurled aluminium.
Dimensions: 335x300 mm

OA/2080



Universal flat footrest in knurled aluminium.
Dimensions brake: 365x418 mm

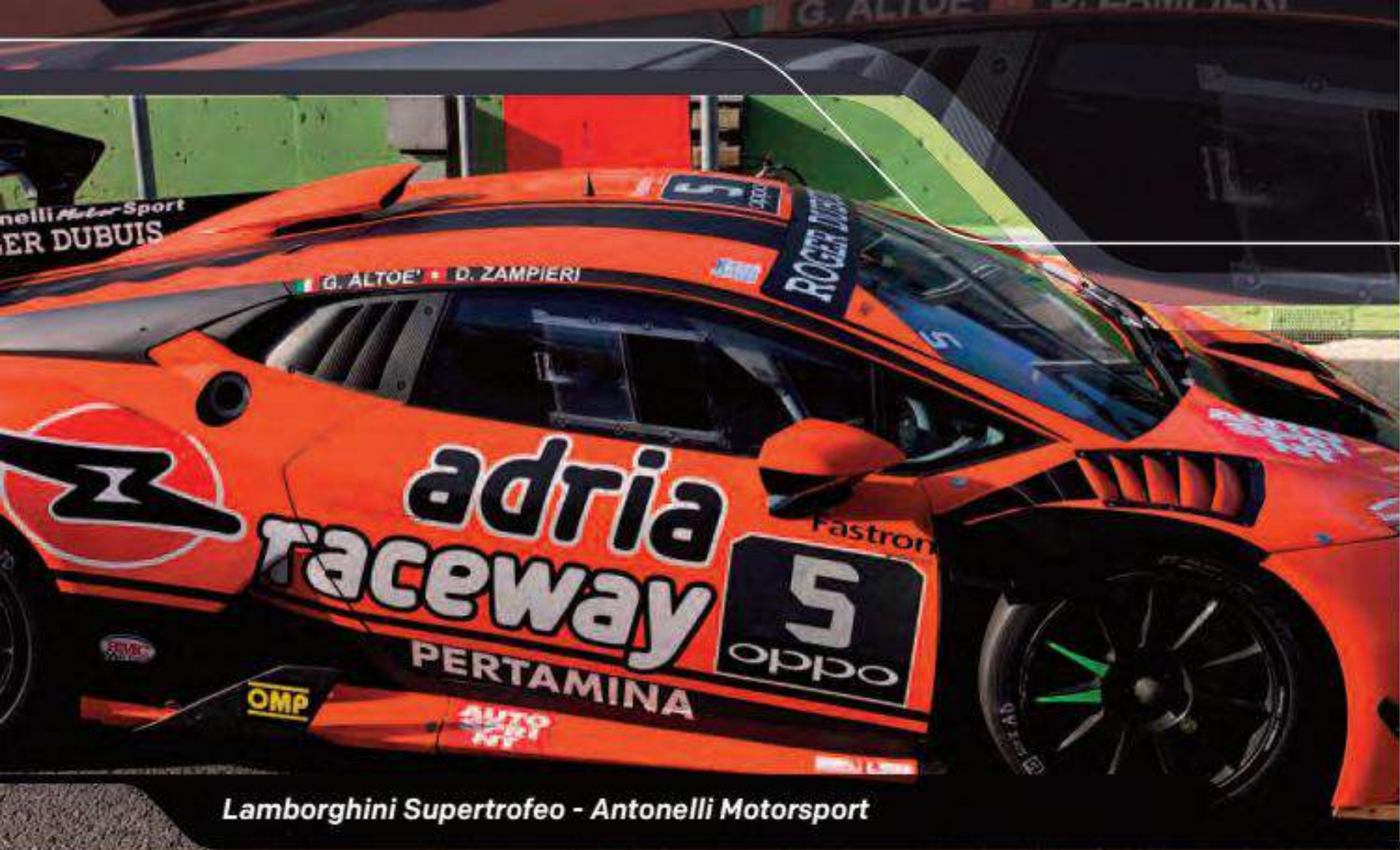
OA/1866



Co-driver's footrest in sandblasted aluminium. Supplied with steel bolts and brackets.
Dimensions: 320x280 mm



Autorlando Sport



Lamborghini Supertrofeo - Antonelli Motorsport



WTCR - Jean-Karl Vernay - Team Lopard

PEDALS SETS

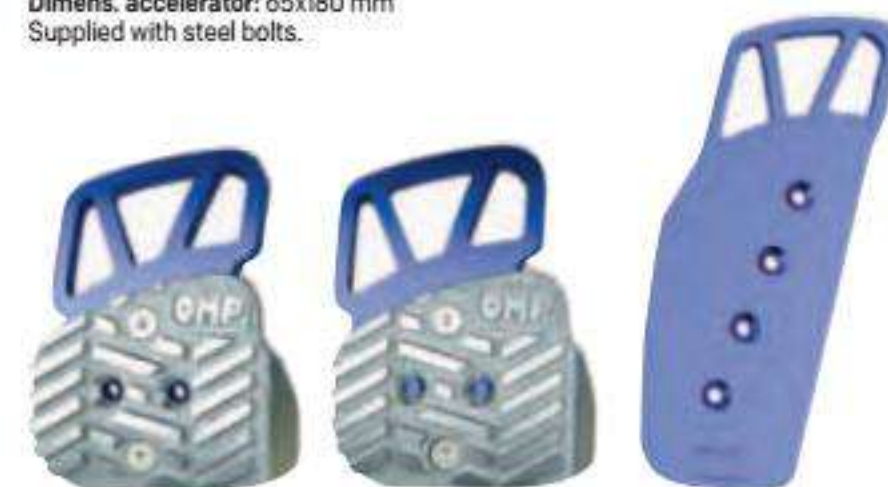
OA/1040

Complete 3 pedal set with short accelerator pedal in silver anodized aluminium.
 Inserts: rubber anti-slip.
 Dimens. brake: 60x80 mm
 Dimens. accelerator: 60x105 mm
 Supplied with steel bolts.



OA/1069

Complete 3 pedal set, in anodized aluminium and sandblasted aluminium, with long accelerator pedal, anti-slip design.
 Dimens. brake: 60x90 mm
 Dimens. accelerator: 65x180 mm
 Supplied with steel bolts.



3 PEDALS

OA/1069/R
blue



OA/1069/A
silver



OA/1067/A
red

OA/1072

Complete 2 pedal set with long accelerator pedal, anodized aluminium and pressure die-caster sandblasted aluminium with anti-slip design, brake pedal for automatic transmission.
 Dimens. brake: 140x79 mm
 Dimens. accelerator: 65x180 mm
 Supplied with steel bolts.



2 PEDALS

OA/1072/A
silver



OA/1072/N
black

OA/1068

Complete 2 pedal set in anodized aluminium and pressure die-caster sandblasted aluminium with anti-slip design with short accelerator pedal and brake pedal for automatic transmission.
 Dimens. brake: 140x70 mm
 Dimens. accelerator: 55x106 mm
 Supplied with steel bolts.



2 PEDALS

OA/1068/N
silver



OA/1068/A
silver

MASTER SWITCHES

FIA APPENDIX J ART. 253



EA/462

6 poles with removable key disconnecting battery and alternator.

EA/464

Spare key for EA/462 model.



EA/460

2 poles with removable key disconnecting battery only.

EA/463

Spare key for EA/460 model.

CO-DRIVER' MAP LIGHTS



KA/1035

Professional model, flexible led. Long: 50 cm

KA/1036

Professional model, flexible led. Long: 40 cm

STAY-BARS

EB/570



Stay-bars, pair of zinc plated steel stay-bars for spotlights. Variable length: 130/195 mm

SWITCHES ACCESSORIES

With threaded fixing nut, 2 poles.

EA/466



PUSH BUTTON For interior use.

EA/467



PUSH BUTTON For exterior use, water resistant.

X/181493



PROTECTION Rubber ring for push button EA/467.

A line of tyre warmers available in 4 different standard sizes, offering greater versatility across a wider range of tyre sizes and now available in two types: with a standard temperature control thermostat or with a central electronic temperature control box.

Interior: Nomex®.

Exterior: Cordura® which improves transpiration allowing moisture to escape away from the tyre.

Electrical cables and connectors are compliant with EEC electrical standards.

Upon request, tyre warming blankets can be made to measure. Tyre warmers for motorcycles are also available upon request.

Tyre warmers models with a Central Electronic Temperature Control Box (part number T200) allows each of the 4 tyres to have individual temperature settings. The control box features an electronic control device controlled by software preventing overheating. The external case of the control box is ABS plastic with an electrical protection rating of IP44.

Tyre warmers models with a Standard Temperature Control allows the tyre surface to reach 80/85 °C. The time required to reach this temperature is depends on ambient temperature, tyre dimensions and operating conditions.

T1957C - Width: 190/220 mm Ø 570/220 mm

T1957 - Width: 190/220 mm Ø 570/585 mm

T1963C - Width: 190/200 mm Ø 630/640 mm

T1963 - Width: 190/200 mm Ø 630/640 mm

T2363C - Width: 230/260 mm Ø 630/645 mm

T2363 - Width: 230/260 mm Ø 630/645 mm

T2360C - Width: 230/260 mm Ø 600/620 mm

T2360 - Width: 230/260 mm Ø 600/620 mm

THE MEASUREMENTS REFER TO THE TYRE SIZES.

CUSTOM MADE MEASURE ON REQUEST

*Price is for single tyre warmer.



REMOVABLE WITH VELCRO Choose your colour

T100

Nylon carrying bag for one complete set of 4 tyre warmers.

T200/2



Electronic thermostatic control box with digital display for 2 tyre warming blankets.

T200/4



Electronic thermostatic control box with digital display for 4 tyre warming blankets.

The expertise of two historic companies in motorsport and care respectively, mixed together for an exclusive range of products for the cleaning and maintenance of your racing gear: OMP Motorsport Care powered by MaFra.

MULTIPURPOSE pre-wash degreaser and stain remover

- High performance specific pre-wash treat for grease and oil stains
- Helps to blast out grease and dirt from every fabric (fire retardant or karting suits, seats, steering wheels...)
- Ultra fast action
- Special formula with balanced ph
- Vol. 500 ml

NEW

PC02005



SUEDE leather cleaner

- Cleans and hydrates the suede leather of boots and steering wheels covers.
- New formula with aloe vera and natural waxes
- Revives the suede and keeps it soft
- Easy and fast to use
- Vol. 500 ml

NEW

PC02006



SEAT FABRIC cleaner

- Wipes off grease and dirt from your racing seats' fabric upholstery.
- Active foam eases the removal of dirt from the fibers
- Revives the fabric after the most stressing racing sessions
- Easy and fast to use
- Vol. 500 ml

NEW

PC02007



PC01001

FINE WHEELS
Concentrated detergent for steel wheels, alloy wheels and brake calipers.
Contents: 750 ml



PC02002

BLACK LIGHT
Transparent black acrylic paint for personalization of indicator lights.
Colours: black, green, blue.
Contents: 400 ml



PC02001

FIRE PAINT
Special high temperature paint for exhaust systems, brake calipers, engines, etc.
Colours: red, blue, yellow, black, silver, gold.
Contents: 400 ml



STRUT BRACES



Steel strut brace with hardened resin paint finish and adjustable coupling.

We are the leading European manufacturer of strut braces, offering over 1000 vehicle specific applications. Our strut braces are engineered to keep suspension geometry unaltered in hard cornering, while improving feedback to the drive.



Extruded aluminium strut brace with adjustable ends and steel flanges.



SUITS

PAG. 238

UNDERWEAR

PAG. 246

GLOVES

PAG. 250

SHOES

PAG. 258

HELMETS

PAG. 267

KART WORLD



KS Art SUITS

KART MANUFACTURERS

This model of suit can be customized through the use of images, photos and color blendings. This peculiar feature is possible thanks to our proprietary technology "OMP Print Art". In order to outline what spaces are at the customer's disposal for personalization, we show you the exploded view of those areas.

SUIT



TOTALLY PRINTED KART TOP LEVEL SUIT
 Developed with the most important karting teams and drivers. Available in three colors with a modern printed graphic.
Unlimited customization way thanks to the totally printed design.



ELASTIC INSERTS



SEMI FLOATING ARMS

WITHOUT SEAMS on waist

KK01726

KK01726C
 FOR CHILDREN

HOMOLOGATION CIK - FIA level 2
 SIZES: 44-62

for children:
 120/130/140/150/160 height

sizing information on page 329

KK01726073XX
 black/red/white

ELASTIC INSERTS



PADDED INSERTS



STRETCH INSERTS



MANUFACTURER: OMP
 MODEL: K-KK7-001
 HOM. NO.: CIK-FIA 2013/026
 FIA STANDARD: 2013-1



Patrik Hajek - Kosmic Kart - CIK FIA KZ World Champion



KK01726232XX
 black/green/yellow



KK01726242XX
 navy blue/white/cyan

SUIT

KS-2R

TOTALLY PRINTED KART TOP LEVEL SUIT

Without seams on waist to increase driver's comfort. Elastics insert on groin, underfoot retainer, comfortable padding on knees, high breathability inserts under the sleeves, mesh inserts on shoulder and pockets to improve ventilation, low cut neck and velcro wrist closure.



ALSO FOR CHILDREN!



KK01725

KK01725C FOR CHILDREN

HOMOLOGATION CIK - FIA level 2
SIZES: 44-62

for children:
120/130/140/150/160 height

sizing information on page 329

FLOATING ARMS

MESH INSERTS

KK01725247XX
blue/yellow

ELASTIC INSERTS

PADDED INSERTS



KK01725172XX
black/silver/red



MANUFACTURER: OMP
MODEL: OMP KS-2R.A
HOM. NO: CIK-FIA 2013/004
FIA STANDARD: 2013-1

SUIT

KS-3

PROFESSIONAL KART SUIT

Comfortable and resistant karting suit made in lightweight external fabrics and soft kitted inner lining, two practical outer pocket. New modern and fresh design featured by exclusive belt and 'motorcycle suit inspired' zip closure. High weight reduction in comparison to previous model.

NEW



LOW CUT NECK COLLAR

HOMOLOGATION CIK - FIA level 2
SIZES: 42-62

for children:
120/130/140/150/160 height

sizing information on page 329

BREATHABLE MESH INSERTS
on legs, crotch and under the sleeves to get best ventilation



MANUFACTURER: OMP
MODEL: OMP KS-3R.A
HOM. NO: TBD
FIA STANDARD: 2013-1

KK01727274XX
black/fluo green

ALSO FOR CHILDREN!

ELASTIC INSERT ON BACK
to optimized fitting and comfort



MESH INSERTS

KK01727071XX
black/anthracite

KK01727089XX
black/silver

KK01727242XX
navy blue/royal blue

KK01727179XX
black/fluo orange

KK01727073XX
black/red

KK01727178XX
black/fluo yellow

SUIT

KS-4

HARDY KARTING SUIT

Outer layer in polyester, interior in soft cotton sponge, outer pockets.

LOW CUT COLLAR

KK01724

KK01724C
FOR CHILDREN

HOMOLOGATION CIK - FIA level 1
4 LAYERS
SIZES: S-XXL

for children:
120/130/140/150 height

sizing information on page 329

ARM BELLOWS
in elastic knitted fabric
for maximum freedom of
movement.

KK01724041XX

blue



ALSO FOR CHILDREN!



KK01724061XX

red



KK01724071XX

red



MANUFACTURER: OMP
MODEL: OMP KS-4 KARTING
HOM. NO: CIK-FIA 2013/16
FIA STANDARD: 2013-1

SUIT

SUMMER K

ONE LAYER KARTING SUIT

Made of lightweight and durable cotton and polyester fabric, ideal for indoor karting. Outer pockets.

KK01719

KK01719C
FOR CHILDREN

1 LAYER
SIZES: S-XXL

for children:
120/130/140/150 height

sizing information on page 329

ARM BELLOWS
in elastic knitted fabric
for maximum freedom of
movement.

KK01719061XX

red



ALSO FOR CHILDREN!



KK01719041XX

blue



KK01719071XX

black

SPECIAL FOR KART INDOOR!



SUIT

RAIN K

KK03102

SIZES: XS-XXL

NEW CHILDREN SIZES:
XXXXS (110/120cm height)
XXXS (130/140cm height)
XXS (150/160cm height)

sizing information on page 329

RAIN SUIT
Rainproof kart suit made in
transparent PVC (0,2mm thick).
Waterproof suit sack included



HEAT WELDED SEAMS

DOUBLE CLOSURE
with zip and clips

ELASTIC
BELLOWS

**ALSO FOR
CHILDREN!**

COMFORTABLE
STRETCH BAND

ELASTIC ANKLE
BELLOWS
with zip and closure
improve fittings



Ralf Schumacher RS



Parolin

KS WINTER-R SHIRT

KK03021E



Long sleeved underwear shirt for winter use made of new stretch fabric. Realized with "3D" seamless technology for the best freedom of movement and comfort.

- SIZES:
- SM (corresponding sizes S/M - suit sizes 44-48)
 - LXL (corresponding sizes L/XL - suit sizes 50-54)
 - XXL (corresponding sizes XXL/XXXL - suit sizes 56-60)

KS WINTER-R PANTS

KK03022E



Long johns for winter use made of new stretch fabric. Realized with "3D" seamless technology for the best freedom of movement and comfort.

- SIZES:
- SM (corresponding sizes S/M - suit sizes 44-48)
 - LXL (corresponding sizes L/XL - suit sizes 50-54)
 - XXL (corresponding sizes XXL/XXXL - suit sizes 56-60)

KS WINTER-R BALACLAVA

KK03020E

Kart balaclava for winter use made of new stretch fabric. Made with "3D" seamless technology for the best comfort. Size: one size fits all.



LONG SLEEVED TOP FOR CHILDREN

This long sleeved top is made with seamless 3D technology, and it's designed to perfectly adhere to the body. Maximum comfort and freedom guaranteed. The peculiar 3D manufacture is conceived to maximise sweat expulsion. Honeycomb inserts are located in the most critical perspiration points and help eliminate bacteria that cause bad smell. The Q-Skin material is an Italian trademark and guarantee of quality. Specifically, Q-Skin is an antibacterial microfiber with silver ions; it takes care of the skin, offering transpiration, thermoregulation, hygiene and comfort. All this creates an healthy micro-climate that allows the skin to stay warm in the winter and fresh in the summer, and always dry. Insulation capacity makes this outfit versatile and usable in every time of the year, with every climate. Color: Black (071)

Special fit for young drivers.



SIZES:
8-10 years / 10-12 years

NEW

KS SPRING

KK03012



KK03012020XX
white



Long sleeved shirt, hydrofobic highly hygienic hollow fiber. Crew neck top with ultra flat seams. Compact weaving for thermal insulation.

- SIZES:
- SMA (corresponding sizes XS/S - suit sizes 44-48)
 - MED (corresponding sizes M/L - suit sizes 50-54)
 - XLAR (corresponding sizes XL/XXL - suit sizes 56-60)

KS SUMMER

KK03016



Short sleeved shirt, stretch fabric, hydrofobic highly hygienic hollow fiber. Ultra-low density jacquard weaving for high breathability. Ideal in hot conditions.

- SIZES:
- SMA (corresponding sizes XS/S - suit sizes 44-48)
 - MED (corresponding sizes M/L - suit sizes 50-54)
 - XLAR (corresponding sizes XL/XXL - suit sizes 56-60)



CIK FIA Academy Trophy

KS SUMMER BALACLAVA

KK03018

Hydrofobic highly hygienic hollow fiber. Low density jacquard weaving for high breathability for use in hot conditions.

ONE SIZE



BALACLAVA

KK03005

Knit cotton, open face balaclava.

ONE SIZE

KK03005020
white

KK03005061
red

KK03005041
blue

KK03005061
black



KS SUMMER SHORTS

KK03017

Stretch fabric, hydrofobic highly hygienic hollow fiber. Low density jacquard weaving for high breathability for use in hot conditions.



SIZES:

SMA (corresponding sizes XS/S - suit sizes 44-48)

MED (corresponding sizes M/L - suit sizes 50-54)

XLAR (corresponding sizes XL/XXL - suit sizes 56-60)

BALACLAVAS

KK03004

Open face disposable balaclavas.

Anallergenic.

Packages: 25 pieces

ONE SIZE



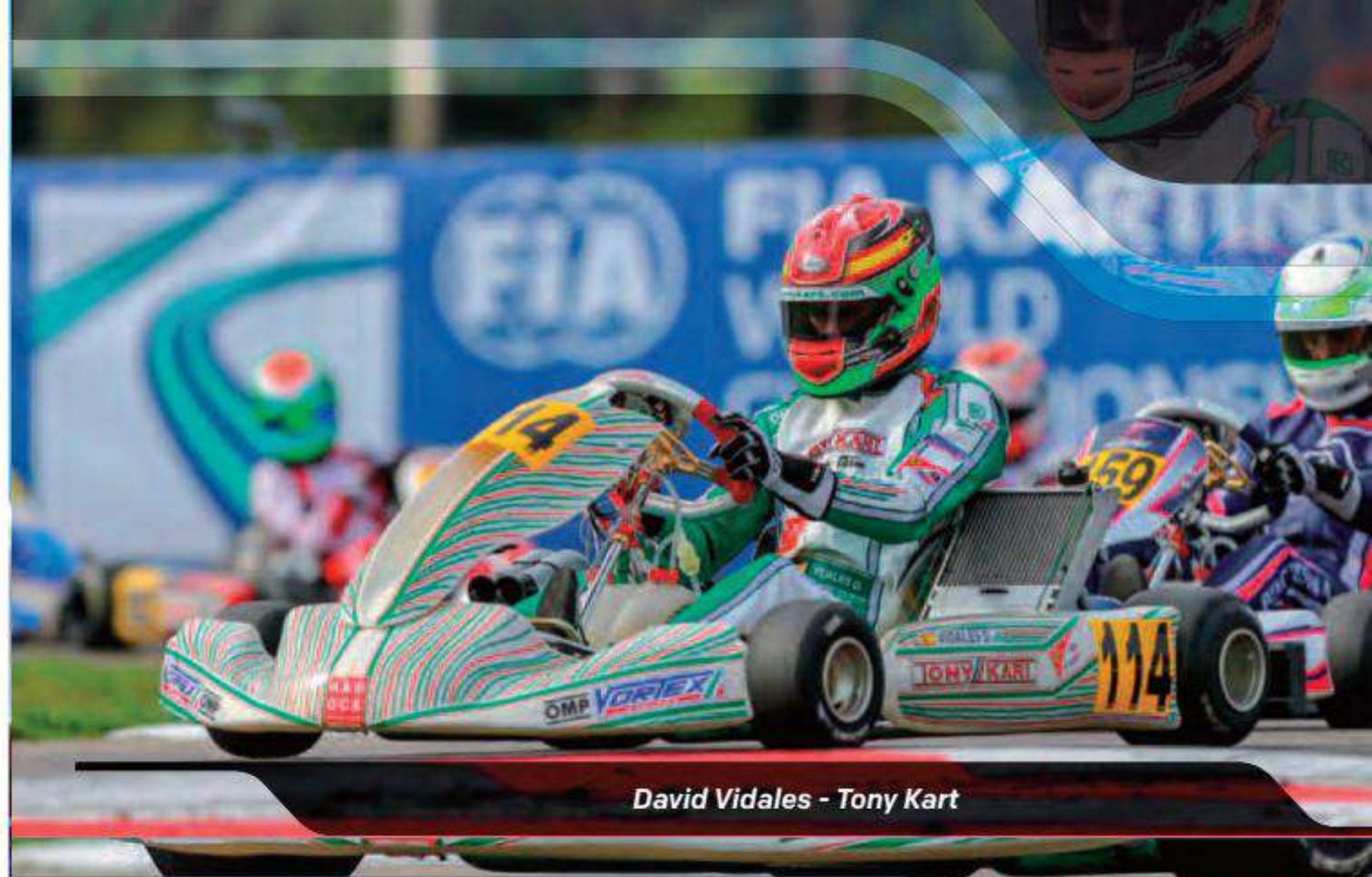
KS SOCKS

KK03019

Technical socks with differentiated weave. Mid length.



KK03019020XX
white



David Vidales - Tony Kart



ROK Cup

SIZES: XS-XL

sizing information on page 329

CHILDREN SIZES: 4-6

4	XXXXXS
5	XXXXS
6	XXXS



TOP LEVEL KART GLOVES WITH TOTALLY PRINTABLE DESIGN

AVAILABLE ONLY UPON REQUEST

Made in stretch fabric, it is possible to customize the gloves.
Unlimited customization ways thanks to the totally printed design.

ALSO FOR CHILDREN!



EXTERNAL SEAMS

SILICONE PALM



PRECURVED



ELASTIC WRIST STOP

SLANTED CUT

KS Art GLOVES

This model of glove can be customized through the use of images, photos and color blendings. This peculiar feature is possible thanks to our proprietary technology "OMP Print Art". In order to outline what spaces are at the customer's disposal for personalization, we show you the exploded view of those areas.

GLOVES KS-1R

KK02740

KS-1R GLOVES

Elasticized super top glove. Silicone inserts on the palm, precurved for maximum grip. External seams for maximum sensitivity.



SIZES: XXS-XL
sizing information on page 329

CHILDREN SIZES: 4-6

4	XXXXXS
5	XXXXS
6	XXXS

ALSO FOR CHILDREN!

ULTRA-GRIP is used on the fingertips and forefingers for maximum grip on the steering wheels



EXTERNAL SEAMS

KK02740071XX
black/white/silver

SILICONE INSERTS

ELASTIC BAND on the wrists

SLANTED CUT



GLOVES KS-2R

KK02747

PROFESSIONAL KART GLOVE

Kart gloves made of resistant and comfortable stretch fabric. Bellows on knuckles and fingers for best freedom of movement and breathable inserts in mesh fabric to increase comfort. Fresh design and modern color range.

SIZES XXS-XL
sizing information on page 329

CHILDREN SIZES: 4-6

4	XXXXXS
5	XXXXS
6	XXXS

ALSO FOR CHILDREN!

KK02747058XX
yellow fluo/green fluo



KK02747060XX
red/black



KK02747242XX
navy blue/white/cyan



KK02747120XX
white/red/black



KK02747071XX
black



EXTERNAL SEAMS

RUBBER PROTECTION

SILICONE RUBBER INSERTS

NEOPRENE INSERT ON THE WRIST for easy fitting

ELASTIC WRIST STOP



GLOVES KS-3

KK02743E

PROFESSIONAL KART GLOVE
Kart gloves made of resistant and comfortable stretch fabric. Synthetic leather palm with silicon rubber inserts for the best grip. Elastic wrist stop to increase comfort and rubber protection on knuckles.

SIZES: XXS-XL
sizing information on page 329
CHILDREN SIZES: 4-6

4	XXXXXS
5	XXXXS
6	XXXS

ALSO FOR CHILDREN!

INTERNAL SEAMS

KK02743E096XX
fluo orange/black

RUBBER PROTECTION

RUBBER INSERTS

SYNTHETIC LEATHER PALM
with antiskid rubber inserts

ELASTIC WRIST STOP



KK02743E076XX
black/white



KK02743E175XX
black/blue/white



KK02743E270XX
black/fluo green/white



KK02743E060XX
black/red



KK02743E059XX
black/fluo yellow

GLOVES KS-4

KK02744E

PROFESSIONAL KART GLOVE
Kart gloves made of resistant and comfortable stretch fabric. Palm in suede leather, elastic wrist stop to increase comfort, adjustable leather strap on wrist velcro closure.

SIZES XXS-XL
sizing information on page 329
CHILDREN SIZES: 4-6

4	XXXXXS
5	XXXXS
6	XXXS

ALSO FOR CHILDREN!

INTERNAL SEAMS

KK02744E274XX
fluo green/black



KK02744E060XX
red/black



KK02744E277XX
purple/black



KK02744E146XX
blue/black



KK02744E071XX
black



KK02744E178XX
yellow fluo/black

ADJUSTABLE LEATHER STRAP

SYNTHETIC LEATHER PALM

ELASTIC WRIST STOP

GLOVES



KK02745

SIZES: XXS-XXL
sizing information on page 329



ARP - ADVANCED RAIN PROOF GLOVES WATER REPELLENT EXTERNAL TREATMENT

Rainproof kart gloves with waterproof membrane to protect hands against rain and bad weather.



GLOVES RAIN K

KK02739

SIZES XXS-XL
sizing information on page 329

CHILDREN SIZES: 4-6

4	XXXXXS
5	XXXXS
6	XXXS

NEOPRENE KARTING GLOVE
Water and wind resistant.
New material 30% thinner neoprene than previous model. Improved grip and fitting.



ALSO FOR CHILDREN!



PCR Kart

HIGH LEVEL PROFESSIONAL KART BOOTS WITH TOTALLY PRINTABLE DESIGN

AVAILABLE ONLY UPON REQUEST

It is possible to customize the shoes by adding/ removing the inner foot support to get more comfort/ sensibility. Unlimited customization ways thanks to the totally printed design.



KS Art

SHOES

This model of shoe can be customized through the use of images, photos and color blendings. This peculiar feature is possible thanks to our proprietary technology "OMP Print Art". In order to outline what spaces are at the customer's disposal for personalization, we show you the exploded view of those areas.



SHOES KS-1R

IC/810

SIZES 32 - 47

sizing information on page 329

TOP LEVEL KARTING SHOES

Super top boots with new generation sole which guarantees highest sensitivity, featuring Rotor lacing inspired by the fireproof ONE EVO R boots. Made of perforated microfiber with technical protection on the tip.



REAR BELLOW



INJECTED SOLE for maximum grip and resistance to wear

PIVOT-LIKE HEEL DESIGN for smooth pedal actuation

IC/810071XX
black/silver



PERFORATED MICROFIBER for maximum breathability

SIDE REINFORCEMENT ON THE TIP

ALSO FOR CHILDREN!

SHOES KS-1

IC/815

SIZES 32 - 48

sizing information on page 329

TOP LEVEL KARTING SHOES

Top level karting shoes, derived directly from F1&WRC racing shoes. Realized in polyurethane, with ultralight outsole specifically designed for karting that guarantees the highest sensitivity when driving. Rear inserts in elastic padded material for improved comfort, separate ankle adjustment with velcro strap, pivot heel design for smooth actuation. Large areas in mesh fabric for best breathability.



INJECTED SOLE for maximum grip and resistance to wear

REAR INSERTS in elastic padded material for improved comfort

PIVOT-LIKE HEEL DESIGN for smooth pedal actuation

IC/815058XX
fluo yellow/fluo green



DRILLED AREA for best breathability

ALSO FOR CHILDREN!

FOOT SUPPORT to reduce stress on the foot and provide maximum drive sensitivity



IC/815070XX
black/white/grey



IC/815120XX
white/black/red



IC/815270XX
black/white/fluo green



IC/815244XX
blue navy/white/cyan



SHOES KS-2

IC/812

MICROFIBER SHOES

SIZES 32 - 47

sizing information on page 329



with black, fluo yellow, anthracite and white strings in the same package

ALSO FOR CHILDREN!



MESH INSERTS

SEPARATE ANKLE ADJUSTMENT with velcro strap

OUTSOLE specifically designed for karting

IC/812059XX
fluo yellow/black/white



IC/812120XX
white/black/red



IC/812273XX
black/white/red



with black, red and white strings in the same package



with black, red and white strings in the same package

SHOES KS-3

IC/813

SUEDE LEATHER SHOES

SIZES 32 - 47

sizing information on page 329



with black, red and white strings in the same package

ALSO FOR CHILDREN!



MESH INSERTS

OUTSOLE specifically designed for karting

NEW COLOUR

IC/813060XX
red/black/white



IC/813077XX
black/white/anthracite



NEW COLOUR
IC/813374XX
black/grey/fluo yellow



IC/813241XX
blue/white/cyan



with black, yellow fluo, orange fluo, green fluo, cyan, red, pink fluo strings in the same package



with black, pink fluo and cyan strings in the same package



with yellow fluo, black, orange fluo, green fluo, cyan, red, pink fluo strings in the same package

SHOES



IC/817

SIZES 34 - 48

sizing information on page 329

ARP - ADVANCED RAIN PROOF SHOES SUITABLE FOR DRIVING IN ALL WEATHER CONDITIONS, NOT ONLY WHILE RAINING

High-height kart boots in polyurethane with waterproof membrane under the laces and high ankle height ankle to protect feet against rain and bad weather.



INJECTED SOLE
for maximum grip and resistance to wear

REAR BELLOW



PIVOT-LIKE HEEL DESIGN
for smooth pedal actuation

ADJUSTABLE DOUBLE STRAP
with velcro closure



IC/817071XX
black/silver

HOME AND DRY



THE ULTIMATE ANTI-RAIN TECHNOLOGY





Jorge Pescador - PRAGA



Jeremy Iglesias - FK



EVO KART



Hannes Janker - TB MOTORSPORT

HELMETS GP8 K EVO

SC785EK

SIZES: XS-XXL

sizing information on page 329

HOMOLOGATION
FIA 8859-2015

FULL FACE HELMET

Made in composite material. Lightweight, with soft and comfortable high breathability fire retardant internal lining, bordered strap with double ring closure and high precision adjustable visor with easy block system. With air vents and intakes to ensure the best air ducting. Complete with clear visor and spoiler.

NEW

AIR VENTS
and intakes to ensure the
best air ducting

REAR SPOILER

OPTIONAL VISOR
ref. SC163

EASY BLOCK SYSTEM

FIA APPROVED

MANUFACTURER: OMP
MODEL: GP8 EVO
HOM. NO: PH-067-18-C
FIA STANDARD: 8859-2015



HELMETS

CIRCUIT

SC611E

SIZES XS-XXL

sizing information on page 329

HOMOLOGATION
ECE 22.05

FULL FACE KARTING HELMET
Full face thermoplastic helmet, velvet lining (not fireproof), step setting visor.

AIR VENTS
and intakes to ensure the
best air ducting

NEW COLOUR
MATT BLACK

SC611E170XX
matt black



AIR VENT



SC611E020XX
white



HELMETS

STAR

SC607E

SIZES S-XXL

sizing information on page 329

HOMOLOGATION
ECE 22.05

OPEN FACE KARTING HELMET
Open face helmet with ABS shell, velvet lining not fireproof, with revomable peak.

NEW COLOUR
MATT BLACK

SUN PEACK

SC607E170XX
matt black



SC607E020XX
white



GP8 K EVO (SC785EK) ACCESSORIES

NB: Spare parts for old helmet models are still available on our website www.ompracing.com, in the helmets section.

AIR VENTS

Spare couple of front air vents

SC166

Spare couple of rear air vents

SC167 € 15,00 (C)

VISORS

Clear visor

SC160

Touring sun peak

SC174

Iridium gold visor

SC163

Dark visor

SC161

Iridium blue visor

SC162

LOCKING SYSTEM

SC168



SPOILER

Rear transparent spoiler (optional)

SC133

Rear black spoiler
(included with the helmet)

SC172

SPARE VISOR

Movement pivot kit

SC164

SPARE SCREWS

For tear off

SC014

SPARE CHECK PADS

Size XXS-XXL (no picture).

SC169

SPARE TOP INNER LINING

Size XXS-XXL (no picture).

SC170

TEAR OFF KIT

5 PIECES

SC165



CIRCUIT (SC611E)

NB: Spare parts for old helmet models are still available on our website www.ompracing.com, in the helmets section.

AIR VENTS

Spare couple of front air vents

SC150

Spare front air vent

SC151

Spare rear air vent

SC152

VISORS

Clear visor
(included with the helmet)

SC148

Dark visor

SC149

SPARE VISOR

Movement pivot kit

SC154



STAR (SC607E)

NB: Spare parts for old helmet models are still available on our website www.ompracing.com, in the helmets section.

SUN PEAK

black sun peak
(included with the helmet)

SC153

white sun peak

SC178



LENZO KART



LUXOR






COLLAR

KK04003

F DE K 1997
HOMOLOGATED

Anatomic homologated collar in expanded polyurethane multi density foam with increased rigidity at the rear "fin" of the collar. One size.

-  KK04003000073 Red/black
-  KK04003000075 Blue/black
-  KK04003000071 Black



COLLAR

KK04009

Waterproof kart neck support collar, modern K STYLE design. One size.



ELBOW AND KNEE PADS

KK04006071

Padded elbow pads. One size.



KK04005071

Padded knee pads. One size.



BODY PROTECTION

KK048

In polycarbonate material. Provides support and protection to ribs and back. Adjustable straps to improve comfort fittings. Properly shaped and stuffed to have ultra-comfort



KK048071XX
black

SOFT AREA

KK048178XX
yellow

SIZES:

XS/S (lower chest 70-89 cm / height 160-170 cm)
M/L (lower chest 89-110 cm / height 170-190 cm)

RIB PROTECTION VEST

KK04001

Material: shock absorbing.
Inserts: high vibration absorption.
Straps: double adjustable.
Cover: stretch fabric.
Sizes: XS-XL

KK04001XXX041
blue

-  KK04001XXX061 Red
-  KK04001XXX071 Black



ALSO FOR CHILDREN!

SHOE COVER

KK08071XX

Nylon rainproof shoe-cover. Seams: heat welded. Sole: ultra soft reinforced rubber.

Sizes:
XS (32/34)
S (35/37)
M (38/40)
L (41/43)
XL (44/47)



CARBON RIB PROTECTION VEST

KK047E



Carbon fiber rib protection vest. Straps: adjustable. Sizes: XS-L

ALSO FOR CHILDREN!

FLAT KART SEAT

KK05032

8 SIZES

REF.	WIDTH
KK0503227	27 cm
KK0503229	29 cm
KK0503230	30 cm
KK0503231	31 cm
KK0503232	32 cm
KK0503233	33 cm
KK0503236	36 cm
KK0503238	38 cm



SEMITRANSSPARENT SEAT 8 SIZES

KK05030XX

KK05030LXX

REF.	WIDTH
KK0503027	27 cm
KK0503029	29 cm
KK0503030	30 cm
KK0503031	31 cm
KK0503032	32 cm
KK0503033	33 cm
KK05030L36	36 cm
KK05030L38	38 cm



Semitransparent fiber glass.

FIBERGLASS SHELL

KK05031

8 SIZES

Fiberglass shell. Upholstery: grey carpet.

REF.	WIDTH
KK0503127	27 cm
KK0503129	29 cm
KK0503130	30 cm
KK0503131	31 cm
KK0503132	32 cm
KK0503133	33 cm
KK0503136	36 cm
KK0503138	38 cm



SEAT PADDING

KK036

Polyethylene seat padding kit (5 piece kit) pre-cut pads for kart seats. All components are self adhesive to facilitate positioning on any seat shell. Thickness: 8 mm



NUMBER PLATE

X/892

Adhesive front number plate. Dimensions: 200x200mm



KS COVER

KK03201

Waterproof kart cover, modern K-STYLE design.



DIGITAL TYRE PRESSURE

NC/072

0,6 CLASS

Digital tyre pressure gauge. Resolution: 0.05 bar. Range: 0-7 bar.



ANALOG TYRE PRESSURE

NC081

0,1 CLASS

Analog tyre pressure gauge. Resolution: 0.1 bar. Range: 0-40 psi, 0-2.7 bar.



TYRE BAG

KK03300

Polyamide nylon tyre bag (suitable for 4 tyres), tear resistant waterproof fabric.



KART TROLLEY

KK05012

Steel frame kart trolley, easily disassembles for storage. Dimensions: 200x200mm



KART SUITS TABLE

KS-ART SUIT				ALSO FOR CHILDREN!	IA01726073XX	IA01726232XX	IA01726242XX
HOMOLOGATION	LAYERS	SIZES	✓				
CIK-FIA Level 2	2	46 64	✓				

KS-2R SUIT				ALSO FOR CHILDREN!	IA01725172XX	IA01725247XX
HOMOLOGATION	LAYERS	SIZES	✓			
CIK-FIA Level 2	2	46 62	✓			

KS-3 SUIT				ALSO FOR CHILDREN!	IA01727274XX	IA01727073XX	IA01727178XX	IA01727199XX
HOMOLOGATION	LAYERS	SIZES	✓					
CIK-FIA Level 2	3	42 62	✓					

KS-4 SUIT				ALSO FOR CHILDREN!	IA01727242XX	IA01727089XX	IA01727071XX
HOMOLOGATION	LAYERS	SIZES	✓				
CIK-FIA Level 1	4	S XXL	✓				

SUMMER K SUIT				ALSO FOR CHILDREN!	IA01719061XX	IA01719041XX	IA01719071XX
HOMOLOGATION	LAYERS	SIZES	✓				
CIK-FIA Level 1	1	S XXL	✓				



The XX in each part number indicates the location of the size.

KART GLOVES TABLE

KS-ART GLOVES					ALSO FOR CHILDREN!	IA01726073XX
PALM INSERT	EXTERNAL SEAMS	VELCRO STRAP	SIZES	✓		
SILICONE PALM	✓	✓	XS XL	✓		KK02746XX

KS-1R GLOVES					ALSO FOR CHILDREN!	IA01726073XX
PALM INSERT	EXTERNAL SEAMS	VELCRO STRAP	SIZES	✓		
SILICONE PALM	✓	✓	XXS XL	✓		KK02740071XX

KS-2R GLOVES					ALSO FOR CHILDREN!	IA01725172XX	IA01725247XX	IA01727274XX	IA01727073XX	IA01727178XX	IA01727199XX
PALM INSERT	EXTERNAL SEAMS	VELCRO STRAP	SIZES	✓							
SILICONE	✓	✓	XXS XL	✓		KK02747071XX	KK02747120XX	KK02747242XX	KK02747060XX	KK02747058XX	

KS-3 GLOVES					ALSO FOR CHILDREN!	IA01727274XX	IA01727073XX	IA01727178XX	IA01727199XX		
PALM INSERT	EXTERNAL SEAMS	VELCRO STRAP	SIZES	✓							
SYNTHETIC LEATHER AND SILICONE	✓	✓	XXS XL	✓		KK02743E076XX	KK02743E175XX	KK02743E270XX	KK02743E060XX	KK02743E096XX	KK02743E059XX

KS-4 GLOVES					ALSO FOR CHILDREN!	IA01727242XX	IA01727089XX	IA01727071XX			
PALM INSERT	EXTERNAL SEAMS	VELCRO STRAP	SIZES	✓							
SUEDE LEATHER	✓	✓	XXS XL	✓		KK02744E071XX	KK02744E146XX	KK02744E274XX	KK02744E060XX	KK02744E178XX	KK02744E277XX

ARP GLOVES					ALSO FOR CHILDREN!	IA01724406XX
PALM INSERT	EXTERNAL SEAMS	VELCRO STRAP	SIZES	✓		
SILICONES	✓	✓	XXS XXL	✓		KK02745XX

RAIN K GLOVES					ALSO FOR CHILDREN!	IA01724406XX
PALM INSERT	EXTERNAL SEAMS	VELCRO STRAP	SIZES	✓		
NEOPRENE AND SILICONE	✓	✓	XXS XXL	✓		KK02739071XX

KART SHOES TABLE

KS-ART SHOES					ALSO FOR CHILDREN!	IA01719061XX
OUTSOLE	REAR INSERTS	VELCRO STRAP	SIZES	✓		
ULTRALIGHT	✓	✓	32 48	✓		IC/818XX

KS-1R SHOES					ALSO FOR CHILDREN!	IA01719061XX
OUTSOLE	REAR INSERTS	VELCRO STRAP	SIZES	✓		
ULTRALIGHT	✓	✓	32 47	✓		IC/810071XX

KS-1 SHOES					ALSO FOR CHILDREN!	IA01719061XX	IA01719041XX	IA01719071XX	IA01727274XX	IA01727073XX	IA01727178XX	IA01727199XX
OUTSOLE	REAR INSERTS	VELCRO STRAP	SIZES	✓								
ULTRALIGHT	✓	✓	32 48	✓		IC/815058XX	IC/815070XX	IC/815120XX	IC/815270XX	IC/815244XX		

KS-2 SHOES					ALSO FOR CHILDREN!	IA01727274XX	IA01727073XX	IA01727178XX
OUTSOLE	REAR INSERTS	VELCRO STRAP	SIZES	✓				
LIGHT	✓	✓	32 47	✓		IC/812120XX	IC/812273XX	IC/812059XX

KS-3 SHOES					ALSO FOR CHILDREN!	IA01727274XX	IA01727073XX	IA01727178XX	IA01727199XX
OUTSOLE	REAR INSERTS	VELCRO STRAP	SIZES	✓					
LIGHT	✓	✓	32 47	✓		IC/813077XX	IC/813241XX	IC/813241XX	IC/813060XX

ARP SHOES					ALSO FOR CHILDREN!	IA01719061XX
OUTSOLE	REAR INSERTS	VELCRO STRAP	SIZES	✓		
ULTRALIGHT	✓	✓	34 48	✓		IC/817071XX



The XX in each part number indicates the location of the size.



JESOLO



CKR



CUSTOMIZED PROJECT



SUIT

ONE Art

ONE ART SUIT "RECORD" LIMITED EDITION

Totally printed FIA top level suit. Regular fit with ultraflat antirubbing seams, soft knitted fabric inside.

DRY SYSTEM
FRESH AIR IN HOT AIR OUT
OMP REVOLUTIONARY COOLING SYSTEM

MANUFACTURED ENTIRELY IN ITALY



FLOATING SLEEVES
Semi floating arm bellows.

STRETCH DRY SYSTEM
High breathability parts. In Dry System 3D material on back, hips and under the sleeves

KNITTED MATERIAL

IA857LAMB-C179XX
orange/black

INNER POCKET
One comfortable hidden inner pocket



FIA APPROVED

MANUFACTURER: OMP
MODEL: R-1A8-001
HOM. NO: RS.29736
FIA STANDARD: FIA 8856-2000

IA857LAMB-C

SIZES 46-64

sizing information on page 329

SUIT

ONE Art

ONE ART SUIT "SPEED" EDITION

Totally printed FIA top level suit. Regular fit with ultraflat antirubbing seams, soft knitted fabric inside.

On request only

FIA APPROVED

MANUFACTURER: OMP
MODEL: R-1A8-001
HOM. NO: RS.29736
FIA STANDARD: FIA 8856-2000



IA857LAMB-A178XX
black/yellow

IA857LAMB-A

SIZES: 46-64

sizing information on page 329

MANUFACTURED ENTIRELY IN ITALY

SUIT

ONE Art

ONE ART SUIT "RACING" EDITION

Totally printed FIA top level suit. Regular fit with ultraflat antirubbing seams, soft knitted fabric inside.

On request only

FIA APPROVED

MANUFACTURER: OMP
MODEL: R-1A8-001
HOM. NO: RS.29736
FIA STANDARD: FIA 8856-2000



IA857LAMB-B188XX
grey/green

IA857LAMB-B

SIZES: 46-64

sizing information on page 329

MANUFACTURED ENTIRELY IN ITALY

SUIT

ONE-S

IA837LAMB

DEVELOPED DIRECTLY FROM OMP'S TOP DRIVERS EXPERIENCE

Made of shiny, High-Tech Nomex® fabrics and innovative new inner materials, allowing a significant weight reduction. Outer pockets.



SIZES 46-64
3 LAYERS

WEIGHT: 235 gr/m²

SFI 3-2A/5 on request
sizing information on page 329



SLIM FIT CUT

PRE-CURVED SLEEVES

DRY SISTEM
3D BREATHABLE MATERIAL



HIPS AND LUMBAR INSERTS



FIA APPROVED

MANUFACTURER: OMP
MODEL: ONE S
HOM. NO: RS.224.12
FIA STANDARD: FIA 8856-2000

SUIT

ONE-S

FOR CHILDREN!

IA837LAMBC2

ONE-S REPLICA SUIT FOR CHILDREN FROM 7 TO 11 YEARS OLD

ONE-S replica suit for Automobili Lamborghini Squadra Corse designed for young motorsport enthusiasts, like all the tracksuits worn by the Squadra Corse racing drivers.

Not FIA approved.

On request only



SIZES:
7-9 YEARS (120-140CM)
10-11 YEARS (140-160CM)
sizing information on page 329



SUIT

ONE-S

FOR CHILDREN!

IA837LAMBC1

ONE-S REPLICA SUIT FOR CHILDREN FROM 2 TO 6 YEARS OLD

ONE-S replica suit for Automobili Lamborghini Squadra Corse designed for young motorsport enthusiasts, like all the tracksuits worn by the Squadra Corse racing drivers.

Not FIA approved.

On request only



SIZES:
2-3 YEARS (80-100CM)
4-6 YEARS (100-110CM)
sizing information on page 329



SUIT

ONE VINTAGE

IA842LAMB

RETRO RACING SUIT STYLE
Typical style worn by the great champions of F1 in the mid 70s. Produced with the same ultra-light fabrics of the new ONE EVO and ONE-S suits.

SIZES 46-64
3 LAYERS
WEIGHT: 235 gr/m²

SFI 3-2A/5 on request
sizing information on page 329



SHAPED COLLAR with inner soft knitted material

PRE-CURVED SLEEVES

SLIM FIT



ELASTIC



MANUFACTURER: OMP
MODEL: ONE BASIC
HOM. NO: RS.224.12
FIA STANDARD: FIA 8856-2000

SUIT

ONE VINTAGE

IA842LAMBC2

ONE VINTAGE REPLICA SUIT FOR CHILDREN FROM 7 TO 11 YEARS OLD
ONE Vintage replica suit for Automobili Lamborghini Squadra Corse designed for young motorsport enthusiasts, like all the tracksuits worn by the Squadra Corse racing drivers.
Not FIA approved.

On request only

FOR CHILDREN!



SIZES:
7-9 YEARS (120-140CM)
10-11 YEARS (140-160CM)
sizing information on page 329



SUIT

ONE VINTAGE

IA842LAMBC1

ONE VINTAGE REPLICA SUIT FOR CHILDREN FROM 2 TO 6 YEARS OLD
ONE Vintage replica suit for Automobili Lamborghini Squadra Corse designed for young motorsport enthusiasts, like all the tracksuits worn by the Squadra Corse racing drivers.
Not FIA approved.

On request only

FOR CHILDREN!



SIZES:
2-3 YEARS (80-100CM)
4-6 YEARS (100-110CM)
sizing information on page 329



UNDERWEAR

ONE TOP

IAA/739ELA

ULTRA-LIGHT UNDERWEAR TOP WITH EXCLUSIVE FEATURES

Advanced technology knitted fabric with maximum breathability 3D knitted inserts for maximum cooling in hot conditions that aligns with the breathable inserts of ONE ART ONE-S1, ONE-S, ONE-SL, ONE EVO, and TECNICA EVO suits.

CREW-NECK TOP with ultra-flat seams



ULTRA-FLAT anti rubbing seams

SLIM FIT/ATHLETIC CUT for increased driver comfort; extremely light, increased elasticity

SFI 3.2A/5 on request

SMA

corresponding sizes XS/S
suit sizes 44-48

MED

corresponding sizes M/L
suit sizes 50-54

XLAR

corresponding sizes XL/XXL
suit sizes 56-60

on request:

2XLAR

corresponding sizes XXXL
suit sizes 62-64



MANUFACTURER: OMP
MODEL: IAA/739
FIA STANDARD: FIA 8856-2000

DRY SYSTEM 3D breathable material



UNDERWEAR

ONE LONG JOHNS

IAA/740EPLA

ULTRA-LIGHT PANTS WITH EXCLUSIVE FEATURES

Advanced technology knitted fabric with maximum breathability. 3D knitted inserts for maximum cooling in hot conditions.



DRY SYSTEM 3D breathable material

ULTRA-FLAT and anti-rubbing seams

SFI 3.2A/5 on request

SMA

corresponding sizes XS/S
suit sizes 44-48

MED

corresponding sizes M/L
suit sizes 50-54

XLAR

corresponding sizes XL/XXL
suit sizes 56-60

on request:

2XLAR

corresponding sizes XXXL
suit sizes 62-64



MANUFACTURER: OMP
MODEL: IAA/740P
FIA STANDARD: FIA 8856-2000

SOCKS

IAA/724LAMB

Sizes: XS - S - M - L
SFI 3.3



MANUFACTURER: OMP
MODEL: IAA/723
FIA STANDARD: FIA 8856-2000

ONE BALACLAVA

IAA/741ELA

Sizes: S - M



DRY SYSTEM 3D breathable material



MANUFACTURER: OMP
MODEL: IAA/741
FIA STANDARD: FIA 8856-2000

GLOVES ONE EVO

IB/759/LAMB

DEVELOPED DIRECTLY FROM OMP'S TOP DRIVERS EXPERIENCE
Ultra-light fire-retardant elastic fabric with high adhesion inserts for maximum grip.



HAND AND FINGERS SILICON WEBBING



MANUFACTURER: OMP
MODEL: ONE-EVO
FIA STANDARD: FIA 8856-2000



SIZES: XS - XL

PRECURVED MIXED INTERNAL-EXTERNAL SEAMS

sizing information on page 329

LEATHER PALM

ELASTIC WRIST STOP

GLOVES DIJON

IB/746/LAMB

VINTAGE GLOVE

'70s design with fabrics and quality of last generation gloves. Fire-resistant fabric with stretch suede inserts. Internal seams.

SIZES: S - XL

sizing information on page 329



MANUFACTURER: OMP
MODEL: DIJON
FIA STANDARD: FIA 8856-2000



SUEDE LEATHER INSERTS on palm and fingers for very good grip

ELASTIC WRIST STOP

HARNESS PAD

DB/454/LAMB

PAIR OF HARNESS PADS

In velour, to be used with 2" seat belts or child seat's belts, velcro fastening.



GLOVES TAZIO

IB/747/LAMB

VINTAGE GLOVE

Smooth leather and cotton fabric.

SIZES S-XL

sizing information on page 329

INTERNAL SEAMS



STRAP WITH VELCRO

BOOTS ONE-S

IC/807LAMB

ONE-S SHOES

Top level leather boot. Technical reinforcements on the tip and on the heel. Injected high resistant sole and best grip. Velcro strap for a best fitting of the ankle.

Inner sole with plate reinforcement for highest sensitivity and reduction of the stress on the feet. Thin laces to guarantee and permit a good sliding and a quick lacing of the boots.

SIZES: 37-48

SFI 3.2A/5 on request
sizing information on
page 329



THIN LACES

INJECTED SOLE

TECNICAL REINFORCEMENTS

INNER SOLE



BOOTS CARRERA

DB/784LAMB

VINTAGE CLASSIC BOOTS

Polished leather lined in soft jersey. Molded rubber sole resistant to hydrocarbons. High quality treated leather for an ultra-soft feel. Accurate hand-made production.



SIZES: 37-48

sizing information on
page 329



EMBOSSSED WITH LEATHER LOGO



CHAIR OMP CHAIR

HB/777/LAMB

Wheeled chair in synthetic leather with reclining mechanism, pneumatic seat height adjustment and adjustable armrests.



COMFORTABLE SEAT AND BACKREST

RECLINING MECHANISM

MEC

BLAST

NB1578LAMB

SUPER RESISTANT MECHANICS OVERALL
Polyester - cotton fabric resistant to repeated washing and most stubborn stains.



ARMBELLOWS



SIZES: 44-64

1 LAYER

sizing information on page 329

THIS PRODUCT MAY BE SUBJECT TO A GRAPHIC RESTYLING DURING 2019

KART

KS-1R

KK720LAMB

ULTRA LIGHT TOTALLY PRINTED SUIT

High comfort due to the new soft and light fabrics, elastic crotch insert, new semi-floating stretch sleeves with mesh inserts for best ventilation. Stretch inserts on lower back and inner knee pads for protection.



SIZES: 44-62

FOR CHILDREN: 120/130/140/150/160 HEIGHT ON REQUEST

homologation CIK-FIA LEVEL 2
sizing information on page 329



MESH INSERTS

SEMI FLOATING SLEEVES

ELASTIC CROTCH INSERTS



MEC

WORKSHOP

NB/1886/LAMB

TECHNICAL SHORT GLOVE
Not fire resistant, for professional use. Back in technical elastic fabric with leather inserts. Palm in suede leather for best fitting and adherence. Elastic bend and technical velcro closure.



SIZES: S-XL

THIS PRODUCT MAY BE SUBJECT TO A GRAPHIC RESTYLING DURING 2019

ALSO FOR CHILDREN!



MANUFACTURER: OMP
MODEL: K-KK-001
HCM. NO: CIK-FIA 2013/02
FIA STANDARD: 2013-1

KART

KS-1R

KK02740LAMB

KS-1R GLOVES

Elasticized super top karting glove. Silicone inserts on the palm, precurved for maximum grip. External seams for maximum sensitivity.



SIZES: XXS-XL

sizing information on page 329

BOOTS

KS-1R

IC/810LAMB

TOP LEVEL KARTING SHOES

Super top boots with new generation sole which guarantees highest sensitivity, featuring Rotor lacing inspired by the fireproof ONE EVO R boots. Made of perforated microfiber with technical protection on the tip.



SIZES: 34-47

sizing information on page 329

KART

UNDERWEAR

KS SUMMER SHIRT

KK03016LAMB

Stretch fabric, hydrophobic highly hygienic hollow fiber. Ultra-low density jacquard weaving for high breathability. Ideal in hot conditions.

SIZES: XS-S (44-48) M-L (50-54) XL (56-60) XXL



KS SUMMER SHORTS

KK03017LAMB

Stretch fabric, hydrophobic highly hygienic hollow fiber. Low density jacquard weaving for high breathability. Ideal in hot conditions.

SIZES: XS-S (44-48) M-L (50-54) XL (56-60) XXL



KS SUMMER BALACLAVA

KK03018LAMB

Hydrophobic highly hygienic hollow fiber. Low density jacquard weaving for high breathability. Ideal in hot conditions. ONE SIZE



KS SOCKS

KK03019LAMB

Technical socks with differentiated weave. Mid length. SIZES: S-M-L





OMP

and

MAGNETI MARELLI



OMP

and

Beta



Genoa CFC office chairs
(blue/red HA/777/gen/br - red/blue HA/777/gen/rb)
available on ompracing.com

Sampdoria office chair
(HA/777E/SAM/BW)
available on ompracing.com



SPORTS TEAMS

Standard OMP products are designed on specific request, to be used also outside motorsport world, i.e. football stadiums, volleyball or basketballs arenas, and also on ultralight airplanes and military aircrafts.



SPORTSWEAR

PAG. 302

BAGS

PAG. 313

ACCESSORIES

PAG. 316

PROMOTIONAL

PAG. 322

OMP STYLE

STYLE

OMP SOFTSHELL

OR5910

SIZES S-XXL

AVAILABLE UNITL
STOCK LAST

LONG SLEEVED SOFTSHELL JACKET

94% polyester 6% spandex, windproof, breathable, inner fabric in mesh, front zip, two lateral pockets with zip closure, adjustable velco wrist's closure, inner pocket with zip closure, inner adjustable string with stopper. Easy customization thanks to the zip clouser at the lining bottom.



INNER FABRIC
in mesh

OR5910089XX
anthracite

TWO POCKETS
with zip closure

INNER ADJUSTABLE STRING
with stopper

ADJUSTABLE VELCRO
wrist's closure



STYLE

OMP SOFTSHELL

OR5913

SIZES: M-XXL

AVAILABLE UNITL
STOCK LAST

NO SLEEVED SOFTSHELL JACKET

94% polyester 6% spandex, windproof, breathable, inner fabric in mesh, front zip, two lateral pockets with zip closure, inner pocket with zip closure, inner adjustable string with stopper. Easy customization thanks to the zip clouser at the lining bottom.



INNER FABRIC
in mesh

OR5913089XX
anthracite

TWO POCKETS
with zip closure

INNER ADJUSTABLE STRING
with stopper



STYLE

302

303

STYLE

STYLE

OMP HOODIE

OR5903

SIZES S-XXL

ONE EVO STYLE DESIGN

Round-neck sweater with hood made of cotton fabric.
Also available in neutral version without logos for team customizations upon request (OR5903N).



HOODIE

OR5903080XX

grey

TWO POCKETS



OR5903020XX

white

SET OF STRINGS
(FLUO YELLOW AND FLUO GREEN)
INCLUDED IN THE PACKAGE



304

STYLE

OMP POLO

OR5905

SIZES S-XXL

ONE EVO STYLE DESIGN

Short sleeved polo shirt made of cotton fabric.
Also available in neutral version without logos for team customizations upon request (OR5905N).



OR5905020XX

white



OR5905080XX

grey

305

STYLE

STYLE

STYLE **RALLY T-SHIRT**

OR5915

RALLY T-SHIRT
In cotton fabric.

SIZES: XS-XXXL



STYLE **KART T-SHIRT**

OR5917

SIZES: XS-XXXL

KART T-SHIRT
In cotton fabric.



STYLE

308

STYLE **STRIPPED LOGO T-SHIRT**

OR5918

SIZES: XS-XXXL

STRIPPED LOGO T-SHIRT
In cotton fabric.



309

STYLE

STYLE

OMP HOODIE

OR5904

SIZES S-XXL

SHORT SLEEVED T-SHIRT
Made in cotton fabric with "OMP"
and "Racing spirit" logos.

OR5904080XX

grey



OR5904020XX

white



STYLE

STYLE

BLACK T-SHIRT

OR5907

SIZES XS-XXL

SHORT SLEEVED T-SHIRT
Made in cotton fabric with yellow
"OMP" logo.



CHILDREN SIZES:
2 YEARS - 4 YEARS

ALSO FOR
CHILDREN!



STYLE

STYLE

OMP SHIRT

OR5902

SIZES

38-39-40-41-42-43-44

LONG SLEEVED SHIRT

Made in cotton fabric with embroidered "OMP" logos.

OR5902020XX

white



OR5902080XX

grey



OMP BAGS

ONE BACKPACK

ORA/2964

Tech backpack with several external pockets and inner organizer compartments. Adjustable waist, chest and shoulder belts. Made of lightweight and durable material.

COLOUR: Black

DIMENSIONS: 45 x 38 x 20 cm



FIRST BACKPACK

ORA/2965

Sportswear backpack in resistant nylon fabric, with external pocket and a pratic handle. Length adjustable shoulder straps.

NEW SOFTER FABRIC

COLOUR: Black

DIMENSIONS: 40 x 30 x 18 cm



STYLE

312

313

STYLE

CO-DRIVER PLUS BACKPACK

ORA/2966

Lightweight backpack with organizational features included plenty of internal and external accessory pockets.

COLOUR: Black
DIMENSIONS: 40 x 34 x 20 cm



CO-DRIVER BAG

ORA/2967

Light weight sporty brief bag with removable shoulder strap.
DIMENSIONS: 44,5x6x25 cm



TRAVEL BAG

ORA/2969

Generous dimensioned travel bag made in nylon, provided with trolley. Large central compartment, big pockets and side padded compartment. Provided with a practical adjustable shoulder strap. Anti-rollover rigid base and new fresh design.

COLOUR: Black
DIMENSIONS: 90 x 38 x 40 cm



RACEWEAR TROLLEY

ORA/2973

Compact trolley in lightweight and resistance fabric, with practical handles and plenty of useful pockets and inserts. Ideal for easily carry a racewear driver kit and several accessories.

COLOUR: Black
DIMENSIONS: 67 x 45 x 22 cm



CABIN TROLLEY

ORA/2968

Ultra compact trolley. Lightweight construction, provided with trolley, with handle and several compartments and pockets. Ideal for hand-held luggage in flight.

COLOUR: Black
DIMENSIONS: 55 x 40 x 20 cm

NEW SOFTER FABRIC



OMP UMBRELLA

PR923

Diameter: 1 m.



SHIFT BELT

OR5883071

Diameter: 1 m.

COLOUR: black
ONE SIZE



OMP CAP

OR5919

Cotton cap.

COLOUR: grey
ONE SIZE



CAP

PR918

Cap in lightweight cotton,
velcro back closure.
Racing design.
Colours:
PR918020 white
PR918071 black



PR918C

Cap in lightweight cotton,
velcro back closure.
For children, one size
Colours:
PR918C071 black
PR918C020 white



STYLE **WHEELED CHAIR**

HA/777E

OMP WHEELED CHAIR

Wheeled chair in synthetic leather with reclining mechanism, pneumatic seat height adjustment and adjustable armrests.



HA/777E/NB
black/blue



HA/777E/AIR
Black with breathable airnet fabric



HA/777E/NW
black/white



HA/777E/NG
black/yellow



HA/777E/NN
black



HA/777E/NR
black/red

COMFORTABLE
seat and backrest

RECLINING MECHANISM

STYLE **OMP CHAIR** CUSTOMIZATION BY



MOTO GP / MX1



STYLE RC-T CHILD SEAT

HA/804

HIGH LEVEL CHILD SEAT
Adjustable inclination with practical knob, ISOFIX ready. Removable and washable upholstery in soft fabric.

GROUPS 1, 2, 3
FROM 9 TO 36 KG
HOMOLOGATION
ECE R44/04

ADJUSTABLE HEADREST



HA/804/NGI
black/fluo yellow

ADJUSTABLE BELT POSITIONING
3 point comfortable and high security harness



ADJUSTABLE INCLINATION
with practical knob

FEEDING BOTTLE SUPPORT



HA/804/NR
black/red

STYLE RC-S CHILD SEAT

HA/797

HIGH LEVEL CHILD SEAT
ISOFIX attachments included. Airmet covering for the air transpiration. Quick and safe installation.

GROUPS 1, 2, 3
FROM 9 TO 36 KG
HOMOLOGATION
ECE R44/04

ADJUSTABLE HEADREST
with shock absorber



HA/797/BC
dark blue/cyan

ISOFIX CONNECTOR

ADJUSTABLE BELT POSITIONING
3 point comfortable and high security harness

SIDE PROTECTION SYSTEM



REDUCER

HA/797/NGI
black/fluo yellow



HA/797/NGI
black/red



PROMOTIONAL ITEMS

PR925



A futuristic foosball table with OMP colors, ideal for your paddock hospitality. 9 balls included. Dimensions: 144x73x92 cm

PR922



Paddock stool with height adjustment, footstool, customized yellow spring.

X/963/CINT



Safety harnesses fasten structure to be matched with the seat support X/963.

PR921



Mechanic stool with air-operated adjustment in height, base with 5 wheels, small basket and tool case.

X/963



Both bottom mounting or side mounting models with side brackets.

HC/801



Wheeled office chair base. Dimensions: 345x270 mm

X/683/BR

Racing suit bag.



X/683/BK

Karting suit bag.



PROMOTIONAL ITEMS

X/694E/80TNT



Racing design tnt band, sold per meter. Height: 80 cm Roll: 24 m

X/694E/15



A futuristic foosball table with OMP colors, ideal for your paddock hospitality. 9 balls included. Dimensions: 144x73x92 cm

PR880



Lanyard.

X/867



Flag. Dimensions: 1000x1500 mm

PR927



USB Flash Drive with case. 8 GB

PR908



Pen with pen holder.

X/846



Assorted sticker sheet with: tow hooks, extinguisher and master switch stickers.

X/889



Assorted OMP stickers.



ADAC F4 - David Schumacher US Racing



ITALIAN F4 - Petr Ptacek Jr - Bhaitech



WRC - HYUNDAI MOTORSPORT ITALIA



MINI CHALLENGE ITALIA



IRC - Luca Rossetti/Eleonora Mori - DP Autosport



LOTUS CUP ITALIA - Stefano D'Aste - PB Racing



TCR EUROPE - Stefano Comini - Autodis Racing



HILLCLIMB INTERNATIONAL PODIUM
Simone Faggioli/Christian Merli/Seb Petit

SPA 24 HOURS - HONDA RACING



ITALIAN GT - AUTORLANDO

ONE COLLECTION



ONE ART SUIT
IA01857178XX



ONE ART GLOVE
IB/763XX



ONE ART SHOES
IC/819XX

ONE-EVO SUIT



IA01851089XX IA01851178XX IA01851076XX IA01851244XX IA01851270XX

ONE-EVO GLOVES



IB/759/BW/XX IB/759/GF/XX IB/759/N/XX IB/759/NJ/XX

ONE-EVO R FORMULA SHOES



IC/805246XX IC/805099XX IC/805230XX IC/805071XX IC/805020XX IC/805370XX

ONE-EVO R FORMULA SHOES



IC/806061XX IC/806020XX IC/806071XX IC/806099XX

ONE-S1 SUIT



IA01852076XX IA01852083XX IA01852184XX IA01852073XX IA01852244XX

ONE-S SUIT



IA0185307XX IA0185308XX IA01852344XX

ONE-S SUIT



IA01855

ONE-S GLOVES



IB/755E/NW/XX IB/755E/GF/XX IB/755E/B/XX IB/755E/R/XX IB/755E/NJ/XX IB/755E/NV/XX

ONE-S SHOES



IC/807020XX IC/807061XX IC/807071XX IC/807244XX IC/807099XX

TECNICA COLLECTION

TECNICA-EVO SUIT



IA01859076XX IA01859373XX IA01859178XX IA01859073XX IA01859244XX

TECNICA-EVO GLOVES



IB/756E/N/XX IB/756E/NGI/XX IB/756E/BC/XX IB/756E/R/XX IB/756E/NV/XX

TECNICA-EVO SHOES



IC/803E071XX IC/803E073XX IC/803E044XX

TECNICA-S SUIT



IA01850076XX IA01850089XX IA01850063XX IA01850043XX

TECNICA-S GLOVES



IB/764/N/XX IB/764/BGI/XX IB/764/R/XX IB/764/GF/XX

FIRST COLLECTION

FIRST EVO SUIT



IA01854076XX IA01854089XX IA01854184XX IA01854063XX IA01854046XX

FIRST EVO GLOVES



IB/757E/BC/XX IB/757E/NGI/XX IB/757E/R/XX IB/757E/N/XX

FIRST EVO SHOES



IC/809182XX IC/809086XX IC/809244XX

FIRST-S SUIT



IA01828B071XX IA01828B083XX IA01828B184XX IA01828B061XX IA01828B244XX

FIRST-S GLOVES



IB/761E/N/XX IB/761E/B/XX IB/761E/R/XX

FIRST-S SHOES



IC/802071XX IC/802041XX IC/802061XX

KARTING COLLECTION

KS ART COLLECTION

KS ART SUITS



IA01726073XX IA01726232XX IA01726242XX



KS ART GLOVE
KK02746XX



KS ART SHOES
IC/819XX

KS-1 COLLECTION



KS-1R GLOVES
KK02740071XX

KS-1 SHOES



IC/815058XX IC/815070XX IC/815120XX IC/815270XX IC/815244XX

KS-2 COLLECTION

KS ART SUITS



KK01725172XX KK01725247XX

KS-2R GLOVES



KK02747071XX KK02747120XX KK02747242XX KK02747060XX KK02747058XX

KS-2 SHOES



IC/812120XX IC/812273XX IC/812059XX

KS-3 COLLECTION

KS-3 SUITS



IA01727274XX IA01727073XX IA01727178XX IA01727199XX IA01727242XX IA01727089XX IA01727071XX

KS-3 GLOVES



KK02743E076XX KK02743E175XX KK02743E270XX KK02743E060XX KK02743E096XX KK02743E059XX

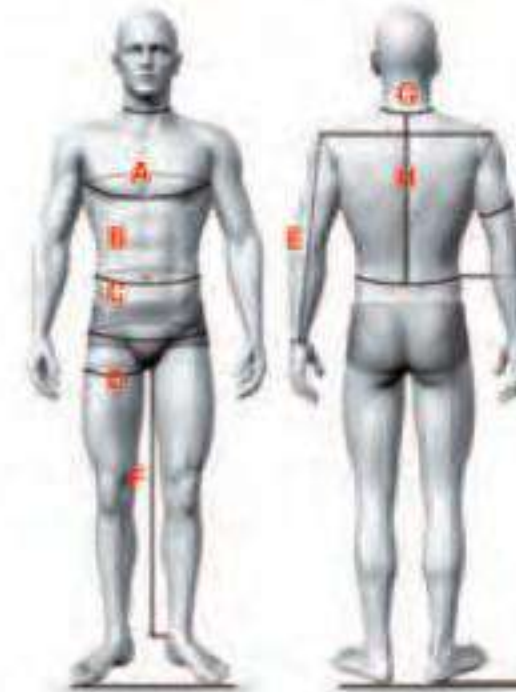
KS-3 SHOES



IC/813077XX IC/813241XX IC/813241XX IC/813060XX

SIZING INFORMATION

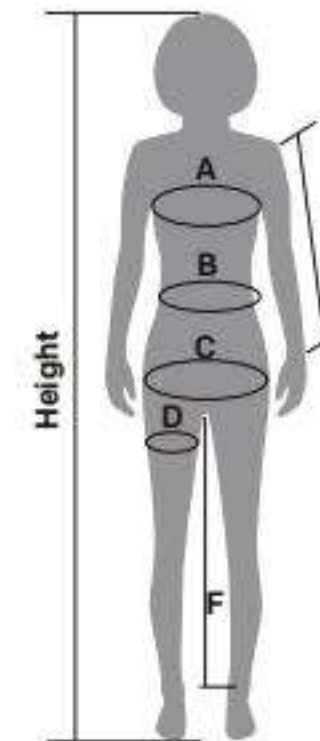
SUIT BODY MEASUREMENTS TABLE



	S			M	
	42	44	46	48	50
WEIGHT (kg)	50/60	55/65	60/70	65/75	70/80
HEIGHT (cm)	150/160	155/165	160/170	165/175	170/180
A - CHEST (cm)	83/86	87/90	91/94	95/98	99/102
B - WAISTLINE (cm)	71/74	75/78	79/82	83/86	87/90
C - HIPS (cm)	83/86	87/90	91/94	95/98	99/102
D - THIGH (cm)	47/50	49/52	51/54	53/56	55/58
E - ARM (cm)	54/58	56/60	58/62	60/64	62/66
F - INSIDE LEG (cm)	68/72	70/74	72/76	74/78	76/80
G - SHOULDERS (cm)	35/38	37/40	39/42	41/45	43/47
H - BACK (cm)	45/49	44/48	45/49	46/50	47/51

	L		XL		XXL		
	52	54	56	58	60	62	64
WEIGHT (kg)	75/85	83/88	85/92	87/95	90/100	95/110	105/115
HEIGHT (cm)	173/183	177/187	182/190	185/195	187/198	190/200	190/200
A - CHEST (cm)	103/106	107/110	111/114	115/118	119/122	123/126	127/130
B - WAISTLINE (cm)	91/94	95/96	99/102	103/106	107/110	111/114	115/119
C - HIPS (cm)	103/106	107/110	111/114	115/118	119/122	123/126	127/130
D - THIGH (cm)	57/60	59/62	61/63	63/66	65/68	67/70	68/72
E - ARM (cm)	64/68	66/70	68/72	70/74	71/75	71/75	72/76
F - INSIDE LEG (cm)	78/82	80/84	82/86	84/88	85/89	85/89	87/91
G - SHOULDERS (cm)	45/50	46/51	46/52	47/53	48/54	49/55	50/56
H - BACK (cm)	48/52	48/53	49/54	49/55	50/56	51/56	52/58

SUIT SIZING FIRST ELLE



IT SIZING	38	40	42	44	46	48	50
Height (cm)	158-162	160-164	162-166	164-168	166-170	168-172	170-174
A Chest (cm)	82-86	86-90	90-94	94-98	98-102	102-106	106-110
B Waist (cm)	62-66	66-70	70-74	74-78	78-102	82-86	86-90
C Hips (cm)	86-90	90-94	94-98	98-102	102-106	106-110	110-114
D Thigh (cm)	48-50	50-52	52-54	54-56	56-58	58-60	60-62
E Arm (cm)	52-54	53,5-55,5	55-57	56,5-58,5	58-60	59,5-61,5	61-63
F Inside leg (cm)	73,5-75	75-76,5	76,5-78	78-79,5	79,5-81	81-82,5	82,5-84

FIA HELMETS COMPARISON SIZE TABLE

Valid for: GPS - GP8K - JB series

Circumference cm	53	54	55	56	57	58	59	60	61	62	63	64
Helmets	XS	S	M	L	XL	XXL						

SHOES COMPARISON SIZE TABLE

EUROPEAN SIZES	34	35	36	37	38	39	40	41	42	43	44	45	46	47	48
USA SIZES	2	2.5	3	4	5	6	6.5	7	8	9	10	10.5	11	12	13
LENGTH CM	23	23.5	24	24.5	25	26	27	27.5	28	28.5	29	30	30.5	31	32

ECE HELMETS COMPARISON SIZE TABLE

Valid for: CIRCUIT - STAR series

Circumference cm	53	55	58	57	58	59	60	61
Helmets	XS	S	M	L	XL	XXL		

GLOVES COMPARISON SIZE TABLE

EUROPEAN SIZES	XXS	XS	S	M	L	XL
USA SIZES	7	8	9	10	11	12
CM	12 ¹ /16 ¹	16 ¹ /19	18/21 ¹	20/24	23/26 ¹	25 ¹ /30



For a correct measurement, please hold tape in center of palm and measure around hand.