

2015
OFFROAD
WORKBOOK

—
NO SHORTCUTS



NO SHORTCUTS

NO SHORTCUTS



Like the modest champion sitting in the corner listening as others spit their egos all over each other, SCOTT quietly lets its achievements, its victories, its skills speak for themselves. We don't make products for those who yearn to be noticed. We make them for those who are going to do what they do whether there's anyone watching or not.

If you're like us, you say what you say, do what you do, ride where you ride because you love it. You do it the right way. You do it for the right reasons.

CONTENTS



GOGGLES	002
ACCESSORIES	018
REPLACEMENT LENSES	019
HELMETS	022
ACCESSORIES	031
APPAREL	032
450 APPAREL	034
350 APPAREL	038
GLOVES	044
OFFROAD APPAREL	048
OFFROAD GLOVES	050
BOOTS	054
ACCESSORIES	059
PROTECTION	060
JUNIOR	072
GOGGLES	074
HELMETS	076
APPAREL	078
PROTECTION	079
GRIPS	082
BAGS	085
FACTORY TEAM APPAREL	092
CASUAL APPAREL	096
SUNGLASSES	102
SALES SUPPORT	105



SCOTT
GOGGLES



SCOTT FRAME TECHNOLOGIES



1. FIT SYSTEM



The patented SCOTT Fit System is a mechanical adjustment located at the bottom of each side of the goggle allowing you to choose between four positions, providing a customized face and nose fit.

2. INCORPORATING DESIGN



HELMET COMPATIBILITY

SCOTT goggles are engineered to engage flawlessly with a variety of helmets, including SCOTT's entire helmet line.



ADJUSTABLE NOSE GUARD

Exclusive to SCOTT, the Adjustable Nose Guard on the Tyrant adjusts in three different positions allowing riders to configure the guard exactly to their liking.



NO-SLIP SILICONE STRAP

An adhered silicone strip on the inside of the goggle strap ensures the goggles stay right where they should on a helmet.

3. FRAME VENTILATION



ALL AROUND FRAME VENTILATION

Frame Ventilation is optimized around the entire frame in order to channel air flow onto the lens, as opposed to the eyes. This technology blocks dirt and water from entering the goggle.



REVOLUTIONARY AIR MANAGEMENT SYSTEM (RAM)

RAM is a patented frame ventilation system that directs airflow within the goggle by using a clean and controlled top-to-bottom pattern, eliminating "swirling air" and fogging.



SCOTT TYRANT RAM-AIR PLUG

Exclusive to SCOTT, the adjustable and removable plug enables a full or partial seal of the RAM Air frame openings, allowing the rider to customize his or her ventilation settings.

4. FRAME CONSTRUCTION



TRADITIONAL CONSTRUCTION

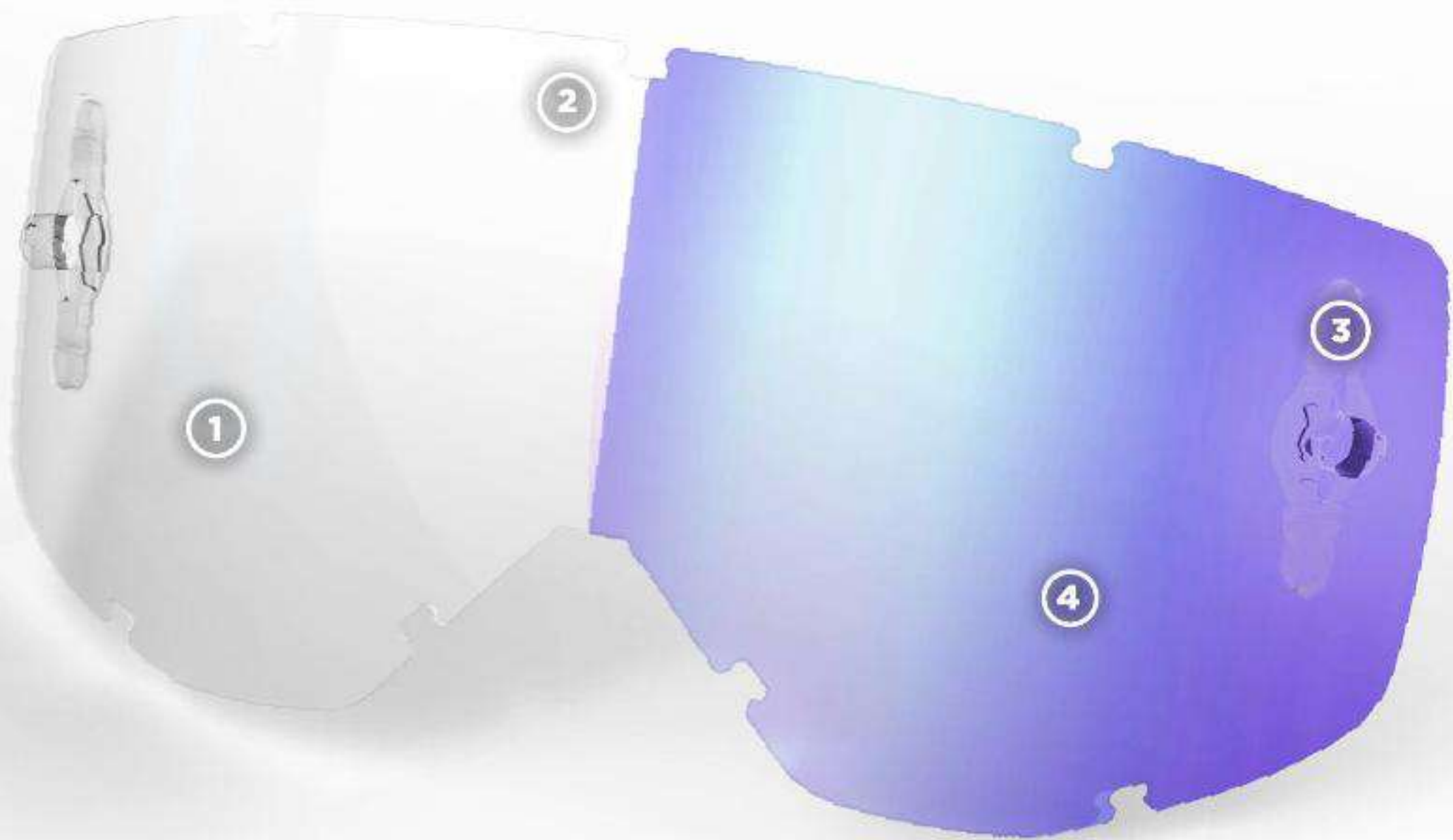
Traditional Construction offers a light, flexible, slim, and comfortable fit.



OVER THE GLASSES (OTG)

OTG goggles offer protection from the elements and an optimized fit for people requiring prescription glasses.

SCOTT LENS TECHNOLOGIES



1. LENS CAPABILITIES



SCOTT TRUVIEW

SCOTT TRUVIEW lenses are lightweight and block 100% of harmful UV rays. TruView lenses pass SCOTT's strict testing procedures delivering high-quality, performance lenses in select SCOTT goggles.



IMPACT RESISTANCE

In order to ensure that riders are safe from the impact of pebbles and flying debris all SCOTT lenses not only meet, but exceed the required impact resistance standards required for MX lenses.



100% UV PROTECTION

All SCOTT lenses are optically engineered to screen out 100% of harmful UVA/UVB rays.

2. CLEAR VISION



NOFOG™ ANTI-FOG LENS TREATMENT

SCOTT lenses undergo a permanent NoFog™ treatment process to prevent condensation and fogging.



AIR CONTROL SYSTEM (ACS)

ACS ventilation incorporates lens air intake vents on the goggle lens and frame air outtake vents on the bottom of the goggle. The result is a sophisticated ventilation system that helps prevent condensation and fogging.

3. WORKS TECHNOLOGIES



WORKS LENSES

WORKS single lenses are built with factory installed WORKS adjustable tearoff pins and can adapt to fit the WORKS film system. WORKS lenses are made from polycarbonate material to maintain impact resistance and provide 100% UV protection.



ASYMMETRICAL TEAROFF PIN SYSTEM

The SCOTT WORKS asymmetrical tearoff pin system is a set of clear tearoff pins where one is a static pin and the other is an oval swivel that allows the rider to micro adjust the tearoff tension using a flat head tool. This adjustment helps perfect the fit and pull away tension per the conditions and rider's preferences. These pins can easily be removed to accommodate our WORKS film canisters.

4. EXTERNAL COATINGS



HARD COATING

SCOTT hard coating creates a permanent bond with the lens that reduces the appearance of hairline scratches and provides overall lens durability.



CHROME COATING

SCOTT chrome coating offers unmatched style for your goggles while controlling light transmittance.

BASE COLOR LENSES

CLEAR

YELLOW

AMP BLUE

AMP ROSE

GREY

ORANGE CHROME

LIGHT TRANSMISSION: 91%

LIGHT TRANSMISSION: 74%

LIGHT TRANSMISSION: 57%

LIGHT TRANSMISSION: 53%

LIGHT TRANSMISSION: 49%

LIGHT TRANSMISSION: 42%

CAT. S0

CAT. S1

CAT. S1

CAT. S1

CAT. S0

CAT. S2

Pretreated with the SCOTT NoFog™ coating.

Designed to increase terrain contrast in low light and stormy conditions.

Designed to increase terrain contrast in medium to low light conditions.

Designed to increase terrain contrast in bright to low light conditions.

Designed to reduce glare in bright light conditions.

If it is overcast and you want a chrome lens, Orange Chrome is the answer.



SCOTT LENS OPTIONS

CHROME LENSES

ELECTRIC BLUE CHROME

LIGHT TRANSMISSION: 40%

CAT. 52

Blue Chrome is a great option for sunny to medium light days. The blue chrome coating reduces glare on this exceptionally contrasting lens.



GREEN CHROME

LIGHT TRANSMISSION: 30%

CAT. 52

Green Chrome is a solid choice for variable days and works great in a variety of light conditions.



SILVER CHROME

LIGHT TRANSMISSION: 29%

CAT. 52

Designed to reflect glare in bright light conditions.



SMOKE BLUE CHROME

LIGHT TRANSMISSION: 26%

CAT. 52

Blue Chrome is a great option for sunny to medium light days. The blue chrome coating reduces glare on this exceptionally contrasting lens.



YELLOW CHROME

LIGHT TRANSMISSION: 23%

CAT. 52

Yellow Chrome is a solid choice for variable days and works great in a variety of light conditions.



PURPLE CHROME

LIGHT TRANSMISSION: 21%

CAT. 52

Chrome is a solid choice for variable days and works great in a variety of light conditions.





electric blue
orange chrome works - 1976280



lime green
green chrome works - 2881279



paste green/purple
purple chrome works - 4595281



white/blue
electric blue chrome works - 1029278

SCOTT TYRANT GOGGLES

225100

The SCOTT Tyrant goggle features cutting edge design and construction. It has been carefully engineered to achieve optimum fit, moisture management and venting. For easy use, the SCOTT Fit System is conveniently located on the outside of the goggle. To increase comfort outriggers and our proven NoSweat 3.2 face foam, evenly distribute goggle tension and manage perspiration. Additional features include the exclusive adjustable nose guard and the choice of either a clear or chrome WORKS lens. For a personalized feel the Tyrant goggle includes a RAM Air Plug for customizable ventilation settings. All around, this goggle is designed with high performance riders in mind.



FIT: Regular

LENS FEATURES

- + SCOTT TruView single WORKS lens
- + 100% UV protection
- + NoFog™ Anti-Fog Lens Treatment

FEATURES

- + SCOTT Fit System for optimized face fit
- + Revolutionary Air Management (RAM) for active frame venting
- + NoSweat 3.2 face foam
- + No-Slip silicone strap
- + Mounted adjustable nose guard
- + Tyrant RAM Air plug for airflow control



race black/green
silver chrome works - 4601269



race purple/paste green
silver chrome works - 4600269



podium grey/red
orange chrome works - 4599280



podium green/blue
electric blue chrome works - 4598278



black
clear works - 0001113



white
clear works - 0002113



blue
clear works - 0003113



red
clear works - 0004113

SCOTT TYRANT WFS GOGGLES

The SCOTT Tyrant Works Film System goggle features cutting edge design and construction for unsurpassed comfort and performance. When paired with SCOTT's Works Film System, the Tyrant excels in the most demanding and adverse race conditions. Equipped with the SCOTT Fit System on the frame exterior as well as an adjustable nose guard, the Tyrant features a one-of-a-kind custom fit for any rider. The Revolutionary Air Management RAM venting system provides superior anti-fogging performance and SCOTT's 3.2 face foam rounds out this top of the line goggle. For customized ventilation settings, the NEW Tyrant RAM Air Plug is included in the package. The Tyrant WFS goggle comes with the mounted SCOTT anti-stick grid and integrated mud-flap which provides a clear view throughout the entire ride and can be used with all WORKS single lenses.

FIT: Regular

LENS FEATURES

- + SCOTT TruView single WORKS lens
- + 100% UV protection
- + NoFog™ Anti-Fog Lens Treatment

INCLUDES

- + Works Film System canisters mounted on the lens
- + Mounted SCOTT anti-stick grid with mudflap
- + 2 rolls of film

FEATURES

- + SCOTT Fit System for optimized face fit
- + RAM Revolutionary Air Management for active frame venting
- + NoSweat 3.2 face foam
- + No-Slip silicone strap
- + Mounted adjustable nose guard
- + Tyrant RAM Air plug for airflow control
- + Mounted SCOTT anti-stick grid and integrated mud-flap



black
clear works - 0001113



white
clear works - 0002113





black/green
yellow chrome works - 1043289



blue
electric blue chrome works - 0003278



orange/blue
electric blue chrome works - 1415278



steel grey/green
green chrome works - 4604279

SCOTT HUSTLE MX GOGGLES

237588

Gain a competitive advantage with the SCOTT Hustle goggle, equipped with SCOTT's latest goggle technologies. With the option of either a clear or chrome WORKS lens, the NoFog™ anti-fog lens treatment ensures clear, unobstructed vision throughout your ride. The comfortable 3 Layer foam and durable No-Slip silicone strap, provide a precise and comfortable fit. This refined design optimizes everything a rider needs in a goggle.



LENS FEATURES

- + SCOTT TruView single WORKS lens
- + 100% UV protection
- + NoFog anti-fog lens treatment

FEATURES

- + 3-Layer face foam
- + No-Slip silicone strap



pixel white/purple
silver chrome works - 4597269



track blue
silver chrome works - 4605269



track green/yellow
silver chrome works - 4606269



track orange/blue
silver chrome works - 4607269



scribble green/orange
silver chrome works - 4602269



pixel white/purple
clear works - 4597113



track blue
clear works - 4605113



scribble green/orange
clear works - 4602113



blue/black
clear works - 1034113



orange/blue
clear works - 1415113



black
clear works - 0001113



white
clear works - 0002113



blue
clear works - 0003113



red
clear works - 0004113

SCOTT HUSTLE MX WFS GOGGLES

Fight whatever Mother Nature throws at you with the SCOTT Hustle Works Film System, equipped with SCOTT's latest Moto goggle technology. When paired with SCOTT's Works Film System, the Hustle excels in the most hectic and vicious race conditions. Coming with the mounted SCOTT anti-stick grid and integrated mud-flap, which provide a clear view throughout the entire ride and can be used with all WORKS single lenses.

LENS FEATURES

- + SCOTT TruView single WORKS lens
- + 100% UV protection
- + NoFog anti-fog lens treatment

FEATURES

- + 3-Layer face foam
- + No-Slip silicone strap

INCLUDES

- + Works Film System canisters mounted on the lens
- + Mounted SCOTT anti-stick grid with mudflap
- + 2 rolls of film



black
clear works - 0001113



SCOTT HUSTLE MX ENDURO GOGGLES

237802



black
clear - 0001043



white
clear - 0002043

The top of the line SCOTT Hustle goggle is paired with a ventilated double ACS (Air Control System) lens in order to ensure high performance. This goggle is best suited for extreme riding conditions where temperatures range from the highest of highs to the lowest of lows.

LENS FEATURES

- + SCOTT TruView double lens
- + 100% UV protection
- + NoFog anti-fog lens treatment
- + ACS Air Control System for active lens venting

FEATURES

- + 3-Layer face foam
- + No-Slip silicone strap



SCOTT HUSTLE MX SAND DUST GOGGLES

237804



black
grey - 0001119

The already exceptional features of the SCOTT Hustle goggle are paired with the revolutionary Dust Catcher foam. Ride freely without worrying about even the smallest dust or sand particles. This assurance combined with tinted lens, full UV protection and comfortable multilayer face foam, make these goggles a perfect choice for bright days spent riding in sandy and dusty conditions.

LENS FEATURES

- + SCOTT TruView single WORKS lens
- + 100% UV protection
- + NoFog anti-fog lens treatment

FEATURES

- + 3-Layer face foam
- + Dust catcher vent foam
- + No-Slip silicone strap



SCOTT RECOIL Xi PRO GOGGLES

225105

Optional tear-off compatibility and a well-ventilated, comfortable frame make the SCOTT Recoil Xi a popular choice for a day at the track or on the trails.

LENS FEATURES

- + SCOTT TruView single WORKS lens
- + 100% UV protection
- + NoFog anti-fog lens treatment

FEATURES

- + 3-Layer face foam
- + No-Slip silicone strap



black
clear works - 000713



white
clear works - 000213

SCOTT RECOIL Xi GOGGLES

220836

Comfortable and durable, the SCOTT Recoil Xi is an entry-level MX goggle offered at an affordable price.

FIT: Regular

LENS FEATURES

- + SCOTT TruView single lens
- + 100% UV protection
- + NoFog™ Anti-Fog Lens Treatment

FEATURES

- + Hypoallergenic soft face foam
- + No-Slip silicone strap



black
clear - 0001043



white
clear - 0002043



blue
clear - 0003043



red
clear - 0004043



green
clear - 0006043



silver
clear - 0012043

SCOTT RECOIL Xi ENDURO GOGGLES

225107

The SCOTT RecoilXi Enduro goggle is an entry level goggle fitted with an ACS/double pane lens. The lens helps to reduce fogging by venting air through the goggle.

FIT: Regular
LENS FEATURES
 + SCOTT TruView double lens
 + 100% UV protection
 + NoFog™ Anti-Fog Lens Treatment
 + ACS Air Control System for active lens venting

FEATURES
 + Hypoallergenic soft face foam
 + No-Slip silicone strap



black
clear - 0001043



white
clear - 0002043



dark grey
clear - 0091043

SCOTT RECOIL Xi WFS GOGGLES

232326

The SCOTT RecoilXi Works Film System goggle is a top choice for any rider faced with difficult weather conditions. Optional tear-off compatibility and a well-ventilated, comfortable frame makes the RecoilXi a popular choice on track and trail alike. When paired with SCOTT's Works Film System, the RecoilXi excels in the worst conditions. The RecoilXi WFS goggle comes with the mounted SCOTT anti-stick grid and integrated mud-flap which provides a clear view throughout the entire ride and can be used with all WORKS single lenses.

FIT: Regular
LENS FEATURES
 + SCOTT TruView single WORKS lens
 + 100% UV protection
 + NoFog™ Anti-Fog Lens Treatment

FEATURES
 + Hypoallergenic soft face foam
 + No-Slip silicone strap
INCLUDES
 + Works Film System canisters mounted on the lens
 + Mounted SCOTT anti-stick grid with mudflap
 + 2 rolls of film



black
clear works - 0001113



white
clear works - 0002113

The SCOTT Split Pro OTG goggle offers the latest "over the glasses" goggle performance and technology. Utilizing features from the Tyrant and Hustle goggles, the Split OTG goggle offers SCOTT's RAM air technology to help reduce fogging on your prescription eyewear, the Fit System for a custom fit, and an adjustable nose-guard. The Split OTG was engineered specifically to fit comfortably over prescription eyewear.

FIT: Regular

LENS FEATURES

- + SCOTT TruView single WORKS lens
- + 100% UV protection
- + NoFog™ Anti-Fog Lens Treatment

FEATURES

- + Optimized for prescription glasses
- + SCOTT Fit System for optimized face fit
- + Revolutionary Air Management (RAM) for active frame venting
- + 3-Layer face foam
- + No-Slip silicone strap



black
clear works - 000113



white
clear works - 000213



blue
clear works - 000313



red
clear works - 000413

SCOTT SPLIT OTG ENDURO GOGGLES

The SCOTT Split OTG Enduro goggle offers the latest in performance and technology. It features SCOTT's RAM air technology, an ACS lens, the Fit System, and an adjustable nose guard. The Split OTG Enduro was engineered specifically to fit comfortably over prescription eyewear.

FIT: Regular

LENS FEATURES

- + SCOTT TruView double lens
- + 100% UV protection
- + NoFog™ Anti-Fog Lens Treatment
- + ACS Air Control System for active lens venting

FEATURES

- + SCOTT Fit System for optimized face fit
- + Optimized for prescription glasses
- + Revolutionary Air Management (RAM) for active frame venting
- + 3-Layer face foam
- + No-Slip silicone strap



black
clear - 0001043



white
clear - 0002043

SCOTT FACE FOAMS



NOSWEAT 3.2 FACE FOAM

NoSweat 3.2 Face Foam system channels sweat away from the face while relieving pressure from the nose to provide the most advanced sweat protection and comfortable fit on the market. The first layer channels sweat away from the face; the middle layer absorbs sweat; the third fleece layer creates a comfortable fit and seal.



MULTI-LAYER FACE FOAM

SCOTT's Multi-Layer Face Foam incorporates two layers of foam and one layer of fleece, delivering a comfortable performance fit. The first layer features maximum sweat retention properties and provides cushioning from the frame while the second layer ensures a precise comfortable face fit. The third layer provides a comfortable barrier between the goggle and rider's face.



HYPOALLERGENIC SUPER-SOFT FACE FOAM

SCOTT's Hypoallergenic Super-Soft Face Foam provides a precise fit around facial features while sealing out the elements. This single density foam is comfortable and has moisture retention properties.

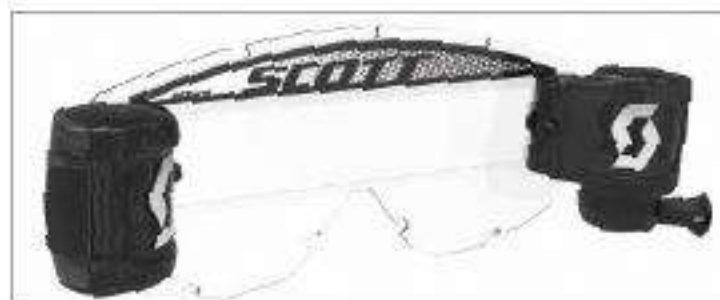
SCOTT WORKS FILM SYSTEM

Affixed on the lens by the roll-off canisters, the SCOTT WORKS FILM SYSTEM grid ensures a seamless sliding movement of the film over the lens. With an integrated mudflap to prevent water or mud from entering between the film and lens.



WORKS ANTISTICK GRID

The WORKS Anti-Stick Grid ensures a seamless sliding movement of the film over the lens. With an integrated mudflap to prevent water or mud from entering between the film and lens, SCOTT's Anti-stick grid guarantees the user clear sight throughout the entire ride.



WORKS CANISTERS & FILM

Two canisters, the Motorside and the Supplside secure the WORKS Anti-Stick Grid in place while rolling the film over the lens. Riders can pull the supplside with one hand and still accelerate with the other.



WORKS HOLESHOT TEAR OFF

The WORKS Holeshot Tear Offs are made specifically for the initial, muddiest part of the race. Easily fitting with the WORKS Film System these tearoffs are meant exclusively for the holeshot, when visibility is decreased the most.

SCOTT TEAR OFF SYSTEM

HUSTLE/TYRANT/SPLIT

- Works Tear Off fits Hustle MX (PAK-10) **219689**
- Works Tear Off fits Hustle MX (PAK-20) **219690**
- Pro Stack Tear Off Hustle (PAK-3) **219691**



VOLTAGE SERIES

- Works Tear Off Voltage (PAK-10) **205153**
- Works Tear Off Voltage (PAK-20) **205154**
- Works Pro Tear Off Voltage (PAK-3) **205155**



80 SERIES (RECOIL/XI/80'S)

- Works Tear Off 80'S (PAK-10) **205158**
- Works Tear Off 80'S (PAK-20) **205159**
- Works Pro Tear Off 80'S (PAK-3) **205160**



WORKS PROA/VOLT/80 TEAR OFF TAB

- Works Proa/Volt/80 Tear Off TAB **205164**



SCOTT WORKS FILM SYSTEM (WFS)

WORKS FILM KIT

- Works Film Kit fits Hustle MX **233872**
- Works Film Kit 80'S **233873**



Hustle | Tyrant | Split



80 Series (Recoil/XI/80'S)

WORKS HOLESHOT TEAR OFF

- Works Holeshot Tear Off Hustle (PAK-10) **219692**
- Works Proa/Volt/80 Holes. Tear Off (PAK-10) **205162**



WORKS MUD FLAP

- Works Mud Flap Hustle (PAK-3) **219693**
- Works Proa/Volt/80 Mud Flap (PAK-3) **205167**



WORKS PROA/VOLT/80 FILM REFILLS

- Works Proa/Volt/80 Film Refills (PAK-6) **205168**
- Works Proa/Volt/80 Film Refills (PAK-12) **205169**



Hustle | Tyrant | Split



80 Series (Recoil/XI/80'S)

WORKS CANISTER

- Works Motorside Canister **205170**
- Works Supplside Canister **205171**



Works Motorside Canister

Works Supplside Canister

WORKS ANTISTICK GRID

- Works Antistick Grid Hustle/Tyrant/Split PAK-3 **233874**
- Works Antistick Grid Recoil/XI/80's Series PAK-3 **233875**



GOGGLE ACCESSORIES

HUSTLE

Noseguard Hustle **219694** - Black

Facemask Hustle **219695** - Black



TYRANT

Noseguard Tyrant **221276** - Black

Facemask Tyrant **225554** - Black



RECOIL Xi

Noseguard Recoil Xi **219696** - Black

Facemask Recoil Xi **219697** - Black



80'S (89X/83X/87)

Beak 80'S (89X/83X/87) **205174** - Black



89 Xi

Noseguard **203665** - Black



VENTURI

Faceguard (w/Facefoam) **205176** - Black



THERMAMAX NOSEGUARD

Thermamax Noseguard Neop **203664** - Grey



SPLIT OTG

Noseguard Split OTG **230124** - Black

Facemask Split OTG **232359** - Black



LENS REPLACEMENTS



	CLEAR	CLEAR ANTISTICK	YELLOW	BLUE	SKY	AMPLIFIER ROSE	GREY	ORANGE CHROME	SILVER CHROME	SMOKE BLUE CHROME	ELECTRIC BLUE CHROME	GREEN CHROME	PURPLE CHROME
TYRANT/HUSTLE/SPLIT													
SINGLE LENS ANTIFOG WORKS 218814	102	103						283	262	264	282	284	285
SINGLE LENS WORKS 218814			114		115		116						
SINGLE LENS ANTIFOG 218815	041												
SINGLE LENS 218815							119						
THERMAL LENS ANTIFOG WORKS 218816	102	103											
THERMAL LENS ANTIFOG ACS 218818	041		036	037		040	126						
THERMAL LENS ANTIFOG 218817	041		036	037		040	126						
RECOILXI/80 SERIES													
SINGLE LENS ANTIFOG WORKS 205187	102	103							263	264			
SINGLE LENS WORKS 205187			114		115	117	116						
SINGLE LENS ANTIFOG 205188	041								263	264			
SINGLE LENS 205188							119						
THERMAL LENS ANTIFOG WORKS 207413	102	103											
THERMAL LENS ANTIFOG ACS 224007	041		036	037		040	126						
THERMAL LENS ANTIFOG 205190	041						126						
VOLTAGE/PROAIR													
SINGLE LENS ANTIFOG WORKS 205181	102	103											
SINGLE LENS WORKS 205181			114		115		116						
SINGLE LENS ANTIFOG 205182	041												
SINGLE LENS 205182							119						
THERMAL LENS ANTIFOG WORKS 207412	102	103											
THERMAL LENS ANTIFOG 205183	041		036	037									

GOGGLES | OVERVIEW

225100: TYRANT PG.008



electric blue - orange chrome works - 3976280



lime green - green chrome works - 2881279



pastel green/purple - purple chrome works - 4595281



white/blue - electric blue chrome works - 1029278



race black/green - silver chrome works - 4601269



race purple/paste green - silver chrome works - 4600269



podium grey/red - orange chrome works - 4599280



podium green/blue - electric blue chrome works - 4598278



black - clear works - 0001113



white - clear works - 0002113



blue - clear works - 0003113



red - clear works - 0004113



black - clear works - 0001113



white - clear works - 0002113



black/green - yellow chrome works - 1043289

225100: TYRANT WF5 PG.009

237588: HUSTLE MX PG.010



blue - electric blue chrome works - 0003278



orange/blue - electric blue chrome works - 1415278



steel grey/green - green chrome works - 4604279



pixel white/purple - silver chrome works - 4597269



track blue - silver chrome works - 4605269



track green/yellow - silver chrome works - 4606269



track orange/blue - silver chrome works - 4607269



scribble green/orange - silver chrome works - 4602269



pixel white/purple - clear works - 4597113



track blue - clear works - 4605113



scribble green/orange - clear works - 4602113



blue/black - clear works - 1034113



orange/blue - clear works - 1415113



black - clear works - 0001113



white - clear works - 0002113

237803: HUSTLE MX WF5 PG.011

237802: HUSTLE MX ENDURO PG.012



blue - clear works - 0003113



red - clear works - 0004113



black - clear works - 0001113



black - clear - 0001043



white - clear - 0002043

237804: HUSTLE MX SAND DUST PG.012

225105: RECOIL XI PRO PG.013

220836: RECOIL XI PG.013



black - grey - 0001119



black - clear works - 0001113



white - clear works - 0002113



black - clear - 0001043



white - clear - 0002043



blue - clear - 0003043



red - clear - 0004043



green - clear - 0006043



silver - clear - 0012043

225107: RECOIL XI ENDURO PG.014



clear - 0001043

GOGGLES | OVERVIEW

225107: RECOIL XI ENDURO PG.014



white
clear - 0002043



dark grey
clear - 0091043

220836: RECOIL XI WFS PG.014



black
clear works - 0001113



white
clear works - 0002113

225109: SPLIT PRO OTG PG.015



black
clear works - 0001113



white
clear works - 0002113



blue
clear works - 0003113



red
clear works - 0004113



black
clear - 0001043

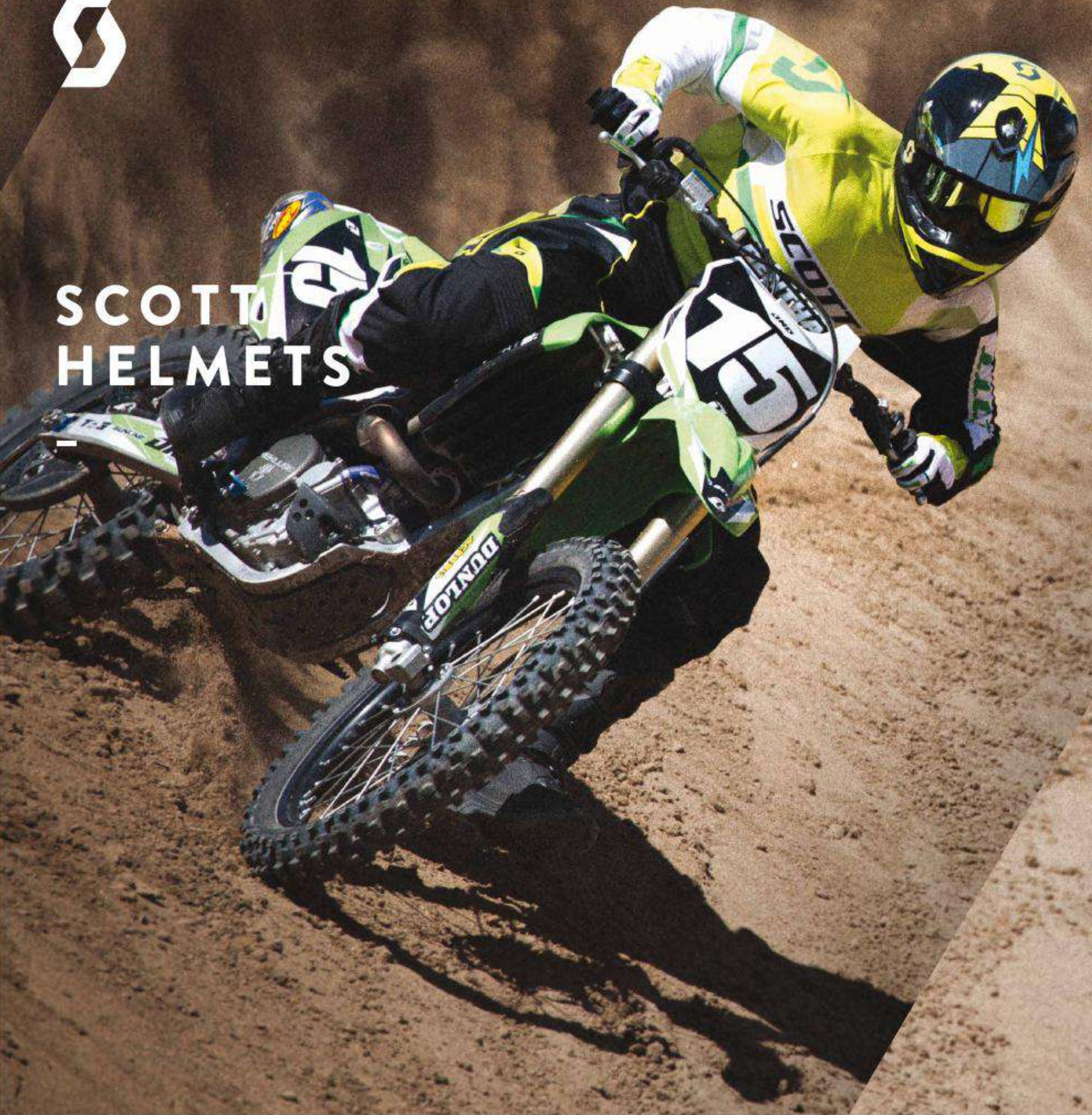


white
clear - 0002043

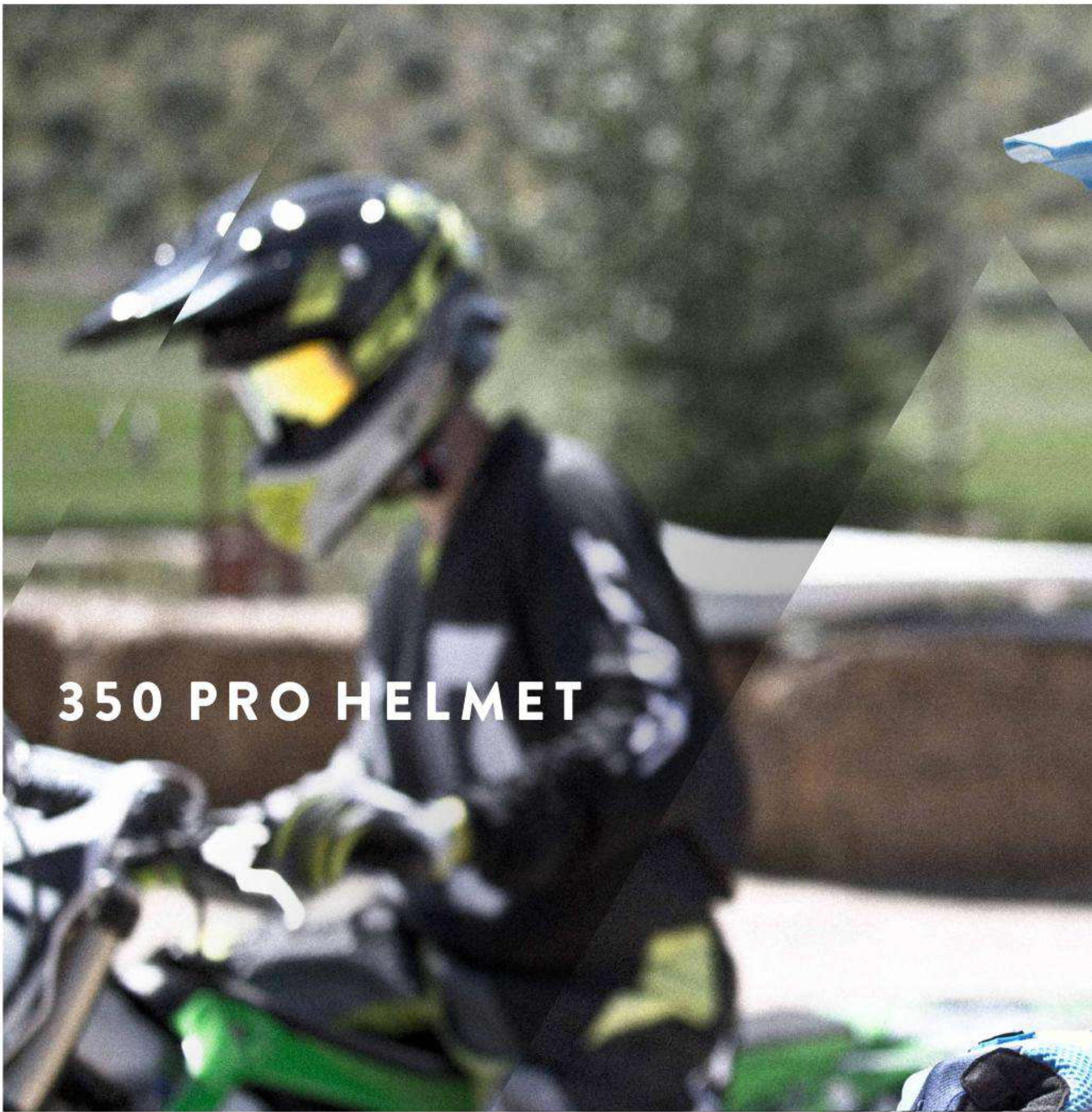
225110: SPLIT OTG ENDURO PG.015



SCOTT
HELMETS







350 PRO HELMET

SCOTT 350 PRO HELMET

Blending high end materials with leading edge design, the SCOTT 350 PRO helmets are engineered with lightweight Thermoplastic Shells, Conehead Technology™ and high-flow vent systems. The in-mold EPS liner decreases the overall weight of each helmet, making them perfect for competitive athletes. If you are looking for protection, style and design this is your helmet.

SIZES: XS-XXL

FABRIC COMPOSITION

- + Lightweight Injected Thermoplastic Shell
- + Conehead Technology™

FEATURES

- + Removable, Washable, adjustable liner and cheek pads
- + Highly integrated intake and exhaust vents
- + Easy adjust visor

SIZES	XS	S	M	L	XL	XXL
CENTIMETER	53-54	55-56	57-58	59-60	61-62	63-64
INCH	21 ¼	21 ½	22 ¼	23 ¼	23 ½	24 ¼
HAT SIZE	6 ¾ - 6 ¾	6 ¾ - 7	7 ¼ - 7 ¼	7 ¼ - 7 ½	7 ½ - 7 ¾	8

WEIGHT	XS	S	M	L	XL	XXL
ECE	1250 ± 50		1350 ± 50		1400 ± 50	
DOT	1250 ± 50		1300 ± 50		1350 ± 50	
AS	1300 ± 50		1350 ± 50		1400 ± 50	





red/blue - 1228



grey/green - 1457



light blue/yellow - 3087



black/green - 1043



red/blue - 1228



blue/green - 1413





white/blue - 1029



satir black/green - 4590



orange/blue - 1415



light blue/blue - 1433



black/orange - 1009



blue/light blue - 1403



black/green - 1043



satin grey/red - 4591





black/grey - 1001



white/black - 1035

HELMETS | OVERVIEW

237472 350 PRO TROPHY PG.026



red/blue - 1228



grey/green - 1457



light blue/yellow - 3087



black/green - 1043



red/blue - 1228



blue/green - 1413

237473 350 PRO DIRT PG.027

237474 350 PRO RACE PG.028



white/blue - 1029



satın black/green - 4590



orange/blue - 1415



light blue/blue - 1433



black/orange - 1009



blue/light blue - 1403

237475 350 PRO PODIUM PG.029

235914 350 PRO PG.030



black/green - 1043



satın grey/red - 4591



black/grey - 1001



white/black - 1035

HELMET ACCESSORIES

SCOTT 350 PRO VISOR 233220

SIZES: one size



black/grey - 1001

white/black - 1035

SCOTT 350 PRO TROPHY VISOR 238115

SIZES: XS/S, M/L, XL/XXL



red/blue - 1228

grey/green - 1457

light blue/yellow - 3087

SCOTT 350 PRO DIRT VISOR 238116

SIZES: XS/S, M/L, XL/XXL



black/green - 1043

red/blue - 1228

blue/green - 1413

SCOTT 350 PRO RACE VISOR 238117

SIZES: one size



white/blue - 1029

satin black/green - 4590

orange/blue - 1415

light blue/blue - 1433

SCOTT 350 PRO PODIUM VISOR 238118

SIZES: XS/S, M-XXL



black/orange - 1009

blue/light blue - 1403

black/green - 1043

satin grey/red - 4591

SCOTT 350 LINER SET 233224

SIZES: XS-XXL



black/grey - 1001

SCOTT 350 CHECK PAD SET 233225

SIZES: XS-XXL



black/grey - 1001



SCOTT APPAREL





450 APPAREL

SCOTT 450 JERSEY

The SCOTT 450 Jersey is highly ventilated and features padded elbows for additional comfort. From the collar to the cuffs, this jersey was designed with riding in mind, resulting in a super-light, super-comfortable and highly stylized jersey. Years of product testing results in performance you can count on.

SIZES: S-XXL

MATERIAL: 100% Polyester

FEATURES

- + Lycra collar
- + Large vented side panels
- + Raglan sleeve with padded elbow
- + Lycra cuff for snug fit
- + Silicon embossed drop tail for a grip fit

SCOTT 450 PANT

The SCOTT 450 Pant is light and extremely breathable. The pant features premium leather knee reinforcement and is specially shaped for an aggressive riding stance. Other features like a 1/2 length inner mesh liner and adjustable Velcro waist tabs make the SCOTT 450 pant the most comfortable pant you'll ever ride in.

SIZES: 28-38

MATERIAL: 900D Nylon, 1/2 mesh liner, leather inner knees, Nylon outer knee.

FEATURES

- + Articulated pre bent fit
- + Large knee area will accommodate all MX knee braces
- + Stretch inner liner
- + Laser cut perforated thigh panel

- + Silicon grip on inner waistband to eliminate slippage due to gripper / step seats
- + Articulated velcro stretch waist closures for a perfect adjustable fit
- + 900-D-Cordura® inner lining on knee leather to eliminate knee brace abrasion
- + Full mesh lower leg for maximum inner boot air ventilation

SIZE	XS	S	M	L	XL	XXL
INCH	28	30	32	34	36	38



SCOTT 450 RACE JERSEY

237554

SCOTT 450 RACE PANT

237561



black/grey - 1001

red/black - 1018



black/orange - 1009





SCOTT 450 TRACK JERSEY

237555

SCOTT 450 TRACK PANT

237562



black/blue - 1004



black/green - 1043



black/orange - 1009



350 APPAREL

SCOTT 350 JERSEY

The SCOTT 350 Jersey is light, comfy, and highly vented to keep you cool on the bike. The SCOTT 350 Jersey has high end features with a price tag that won't break the bank.

SIZES: S-XXL

MATERIAL: 100% Polyester

FEATURES

- + Dual layer V-neck collar
- + Raglan sleeve with padded elbow
- + Lycra cuff for a snug fit

SCOTT 350 PANT

The SCOTT 350 Pant combines tough construction with stretch and vent panels for comfort no matter how intense the race gets. It features leather inner knees for added durability as well as ribbed spandex in the knees to accommodate knee braces.

SIZES: 28-38

MATERIAL: 600D Nylon, Spandex, ¾ mesh liner, leather inner knees, ballistic nylon outer knee

FEATURES

- + Articulated pre-bent fit in rider attack position
- + Ribbed Spandex upper knee
- + Stamped Leather inner knees for durability
- + Natural lower leg cuff
- + Ultra-light TPR's
- + 900-D Cordura inner lining on knee leather to eliminate knee brace wear

SIZE	XS	S	M	L	XL	XXL
INCH	28	30	32	34	36	38



SCOTT 350 RACE JERSEY

237556

SCOTT 350 RACE PANT

237563



blue/green - 1413



grey/green - 1457



red/blue - 1228



lightblue/yellow - 3087





SCOTT 350 DIRT JERSEY

237557

SCOTT 350 DIRT PANT

237564



black/white - 1007



blue/green - 1413



red/blue - 1228



SCOTT 350 TRACK JERSEY

237558

SCOTT 350 TRACK PANT

237565



black/white - 1007

blue/orange - 1454



green/white - 1075







**SCOTT
GLOVES**

—



450 GLOVES

The SCOTT 450 Glove is a high end, lightweight breathable glove with everything you want and nothing you don't. It features a spandex/nylon form with with Coolmax® ventilated uppers, Clarino™ leather palms, and Lycra gussets in the fingers. The SCOTT 450 Glove is articulated for comfort and ease of use.

- SIZES:** S-XXL
- SHELL FABRIC:** Top hand: cool max Spandex, Clarino™ leather
Palm: Neoprene cuff
- FEATURES**
 - + Dual layer palm for maximum protection
 - + Hook and loop closure
 - + Silicone tacky lever grip

350 GLOVES

The SCOTT 350 glove was designed with a minimalist approach. The single layer palm offers an unprecedented feel. With a simple slip on design, a spandex upper, a polyester palm and a no-slip neoprene cuff this glove offers the best bang for the buck around.

- SIZES:** S-XXL
- SHELL FABRIC:** Top hand: twill spandex, Palm: Nash, Lycra trim
- FEATURES**
 - + Slip on design
 - + Single layer Nash synthetic leather palm for maximum feel
 - + Silicone tacky palm and lever grip

250 GLOVES

The SCOTT 250 Glove is the perfect glove for the entry level rider. high end materials and design melded together to offer an inexpensive glove built to last.

- SIZES:** S-XXL
- SHELL FABRIC:** Top hand: Poly-mesh, Palm: Poly blend, Lycra trim
- FEATURES**
 - + Lightly padded palm for maximum protection
 - + Hook and loop closure

SIZES	XXS	XS	S	M	L	XL	XXL	XXXL
CM	17.8	19.1	20.3	22.9	25.4	27.9	30.5	33
INCH	7	7.5	8	9	10	11	12	13

SCOTT 450 RACE GLOVES

237578



black/orange - 1009

red/black - 1018

black/grey - 1001

SCOTT 450 TRACK GLOVES

237579



black/green - 1043

black/blue - 1004

black/orange - 1009

SCOTT 350 RACE GLOVES

237580



light blue/yellow - 3087

grey/green - 1457

red/blue - 1228

blue/green - 1413

SCOTT 350 DIRT GLOVES

237581



blue/green - 1413



red/blue - 1228



black/white - 1007



SCOTT 350 TRACK GLOVES

237582



blue/orange - 1454



black/white - 1007



green/white - 1075



SCOTT 350 ARMADA

232208



black - 0001



SCOTT 250 GLOVES

237583



black - 0001



orange - 0036



red - 0004





SCOTT OFFROAD APPAREL

SCOTT 350 NB JACKET

225498

The SCOTT 350 Neck Brace Jacket has all the same features as the SCOTT 350 Jacket but with a built-in neck brace cover that keeps out the elements and can be rolled down and snapped to the collar in warm weather.

SIZES: M-3XL

FIT: Regular

MATERIAL: Cordura, Stretch Cordura, Ballistic nylon

FEATURES

- + Removable sleeves
- + Comfortable mesh lining
- + Built-in neck brace cover
- + Ventilation system
- + Built-in slot for water tube
- + Right side sleeve transparent pocket for check point time
- + Adjustment at waist and cuff



black/green - 1043



black/orange - 1009

SCOTT ADVENTURE JACKET

225497

The SCOTT Adventure Jacket is an all new design. It features zip off sleeves for warmer weather, an articulated elbow for comfort, multiple vents to stay cool and deep cargo pockets to pack tools. The SCOTT Adventure Jacket is all you need to conquer the trails.

SIZES: M-3XL

FIT: Regular

MATERIAL: 600D Nylon, Mesh liner

FEATURES

- + Removable sleeves
- + Comfortable mesh lining
- + lightweight jacket
- + Ventilation system
- + 2 cargo pockets
- + Rear pocket
- + Adjustment at waist and cuff



black/green - 1043



black/orange - 1009

SCOTT ADVENTURE PANT

225494

The SCOTT Adventure pant is a no-frills new pant designed to optimize your experience on the trails. With cargo pockets for tools and snacks, a button fly, leather inner knees for durability and a stretch panel behind the knees for ease of movement, the SCOTT Adventure pant offers unsurpassed comfort and function.

SIZES: 30-40

MATERIAL: 600D Nylon, 1000D lower leg full mesh liner, leather inner knee, ballistic nylon outer knee

FEATURES

- + Big cargo pockets
- + Button fly
- + Leather inner knee for durability
- + Stretch panel behind knee
- + Natural lower leg cuff
- + Over the boots design



black/green - 1043



black/orange - 1009

SCOTT RAIN COAT

220914

This lightweight PVC slicker features elastic trim and a back pocket with Velcro closure. Now you can compete against the weather rather than hiding from it.

SIZES: S-3XL

FIT: Regular

MATERIAL: PVC

FEATURES

- + Easily packable
- + Elastic cuffs on sleeves
- + Vents with Velcro closures
- + Back pocket with Velcro closure
- + Mesh comfortable collar



Clear - 0060



SCOTT
OFFROAD
GLOVES

SCOTT RIDGELINE GLOVES

217721

This glove was designed for the Ridgeline Series with durability, protection, and warmth in mind. The glove is designed with a full neoprene upper with Clarino™ leather palm and neoprene cuff. It's ideal for long trail rides in adverse conditions.

SIZES: S-XXXL

SHELL FABRIC: Neoprene

PALM: Clarino™

FEATURES

- + Full clarino leather palm for durability and protection



black/lime green - 2697

SCOTT ASSAULT GLOVES

237585

One of SCOTT's most technically advanced gloves. The SCOTT Assault Glove features a premium leather palm and carbon fiber knuckle pads. A second premium leather patch reinforces the knuckle area, and tacky finger grips round out the ultimate glove for the aggressive off-road rider.

SIZES: S-XXXXL

SHELL FABRIC: Clarino™ and leather palm, dimple mesh backhand, leather and carbon fiber knuckles

FEATURES

- + Top grain premium leather palm patch for durability
- + Top grain premium leather
- + Carbon fiber knuckle reinforcement
- + Tacky finger grip



black - 0001



black/white - 1007

SCOTT NEOPRENE II GLOVES

237324

The SCOTT Neoprene II Glove from SCOTT is a lightly padded, comfortable glove that will keep you warm when conditions get cold and wet.

SIZE: S-XXXL

SHELL FABRIC: 100% Polychloroprene
PALM: Clarino™

FEATURES

- + 100% Neoprene all purpose glove



black/lime - 1350



black/white 1007

APPAREL | OVERVIEW

237554: 450 RACE JERSEY PG.036



black/grey - 1001



red/black - 1018



black/orange - 1009

237555: 450 TRACK JERSEY PG.037



black/blue - 1004



black/green - 1043



black/orange - 1009

237556: 350 RACE JERSEY PG.040



blue/green - 1413



grey/green - 1457



red/blue - 1228

237557: 350 DIRT JERSEY PG.041



black/white - 1007



blue/green - 1413



red/blue - 1228

237558: 350 TRACK JERSEY PG.042



black/white - 1007



blue/orange - 1454



green/white - 1075

237561: 450 RACE PANT PG.036



black/grey - 1001



red/black - 1018



black/orange - 1009

237562: 450 TRACK PANT PG.037



black/blue - 1004



black/green - 1043



black/orange - 1009

237563: 350 RACE PANT PG.040



blue/green - 1413



grey/green - 1457



red/blue - 1228

237564: 350 DIRT PANT PG.041



light blue/yellow - 3087



black/white - 1007



blue/green - 1413

237565: 350 TRACK PANT PG.042



red/blue - 1228



black/white - 1007



blue/orange - 1454

237578: 450 RACE GLOVES PG.046



green/white - 1075



black/orange - 1009



red/black - 1018

237579: 450 TRACK GLOVES PG.046



black/grey - 1001



black/green - 1043



black/blue - 1004

237580: 350 RACE GLOVES PG.046



black/orange - 1009



light blue/yellow - 3087



grey/green - 1457

237581: 350 DIRT GLOVES PG.047



red/blue - 1228



blue/green - 1413



black/white - 1007

237582: 350 TRACK GLOVES PG.047



blue/green - 1413



red/blue - 1228



green/white - 1075

232208: 350 ARMADA GLOVES PG.047



blue/orange - 1454



black/white - 1007



black - 0001

APPAREL | OVERVIEW

237583: 250 GLOVES PG.047



reef-0004



black-0001



orange-0036

217721: RIDGELINE GLOVES PG.051



black/lime green-2897

237585: ASSAULT GLOVES PG.051



black/white-1007



black-0001

237324: NEOPRENE II GLOVES PG.051



black/white-1007



black/lime-1350

225498: 350 NB JACKET PG.048



black/green-1043



black/orange-1009

225497: ADVENTURE JACKET PG.049



black/green-1043



black/orange-1009

225494: ADVENTURE PANT PG.049



black/green-1043



black/orange-1009

220914: RAIN COAT PG.049

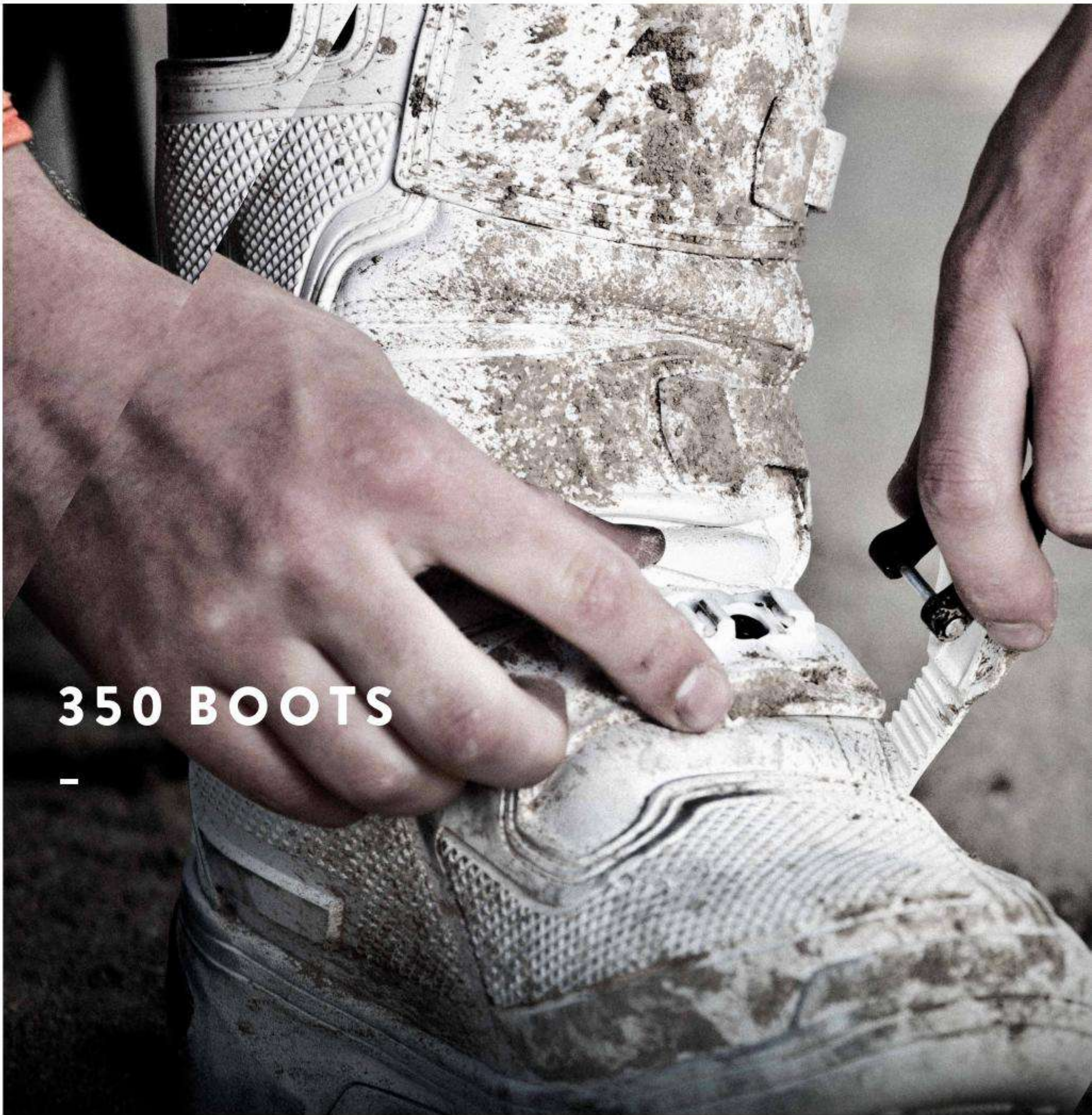


Clear-0060



SCOTT
BOOTS





350 BOOTS

SCOTT 350 BOOTS

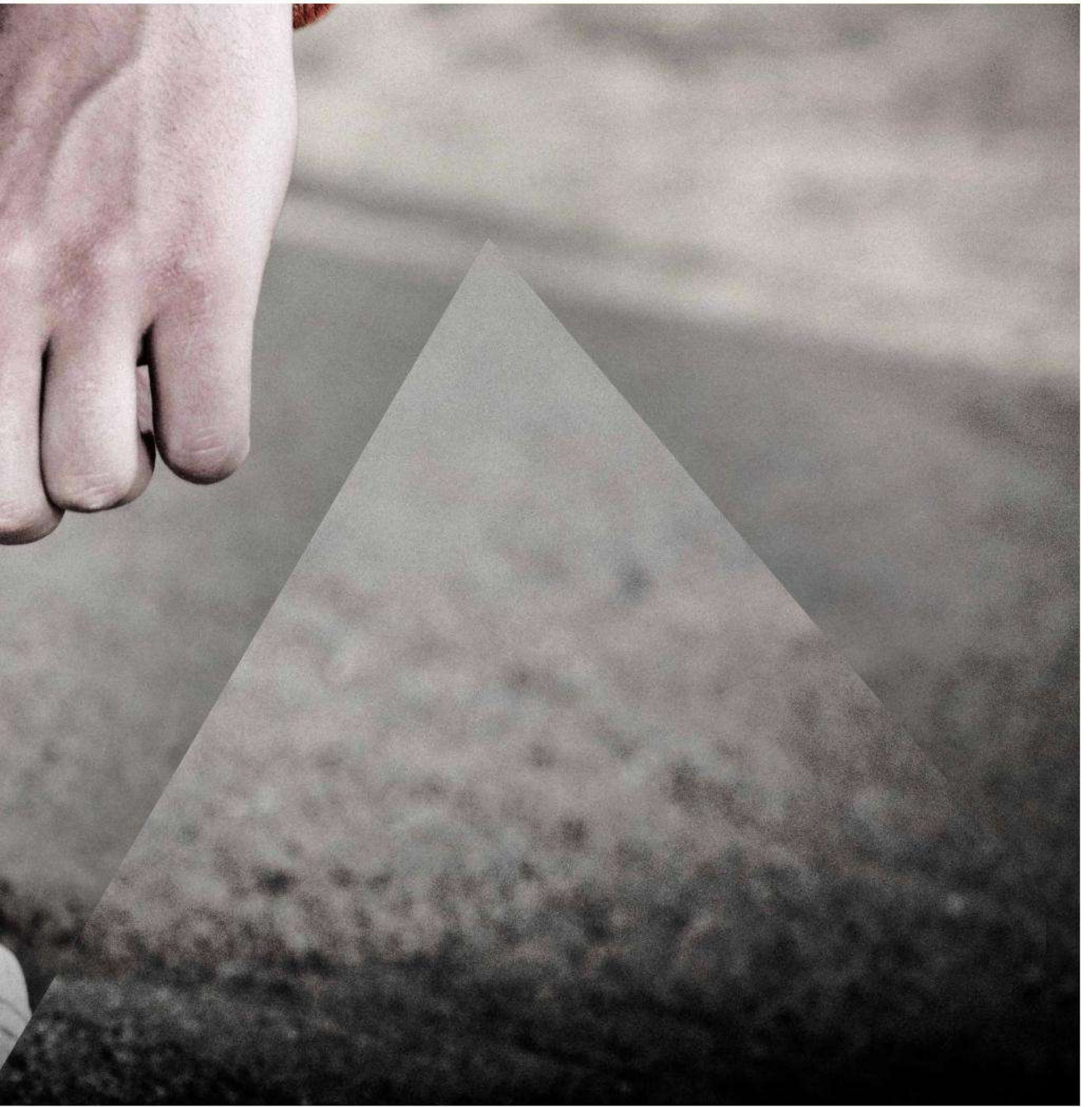
Designed in Italy, the SCOTT 350 boot is built with top grain Leather and offers maximum support and comfort right out of the box. The 350 boot offers a low profile toe box that allows for easy shifting and an over molded outsole for added durability. This boot is the top choice for any serious rider.

SIZES: 39-48

FEATURES

- + Molded outsole according ISO 4649 provides durability
- + Full grain leather construction with heat protection shield
- + Low profile toe box design
- + Full floating independent adjustable straps
- + Reverse lower buckle protected from outside impact

SIZE								STANDARD
6.0	7.0	8.0	9.0	10.0	11.0	12.0	13.0	13634 Level 2
039	040	041	042	044	045	046	048	





black/black - 1401



black/green - 1043



white/blue - 1029



white/white - 2597

BOOT ACCESSORIES

SCOTT 250 MX BOOT STRAP & PLASTIC BUCKLE SET

231246

SCOTT Boot Straps are high-quality replacements in case you lose one in a crash.

SIZES: one size



SCOTT 250/350 MX BOOT STRAP & PLASTIC BUCKLE SET

237830

SCOTT Boot Straps are high-quality replacements in case you lose one in a crash.

SIZES: one size



SCOTT 450 MX BOOT STRAP & METAL BUCKLE SET

231776

SCOTT Boot Straps are high-quality replacements in case you lose one in a crash.

SIZES: one size



SCOTT 250 MX BOOT STRAP & PLASTIC BUCKLE SET

231777

SCOTT Boot Straps are high-quality replacements in case you lose one in a crash.

SIZES: one size



SCOTT MX LONG SOCK

208604

SIZES: S-XL





**SCOTT
PROTECTION**

—



HARD PROTECTION

COMMANDER PROTECTIVE SYSTEM

THE SCOTT COMMANDER SETS NEW STANDARDS WITH INNOVATIVE, LIGHTWEIGHT AND IMPACT ABSORBING MATERIALS PLACED IN KEY AREAS WHICH OFFER AN ADJUSTABLE ERGONOMIC FIT AND UNPRECEDENTED COMFORT. THE COMMANDER BODY ARMOR FULFILLS ALL REQUIRED SAFETY STANDARDS AND A NEW REVOLUTIONARY NECK BRACE INTEGRATION CONCEPT.

THE PATENTED INDEPENDENT FLOATING MID PLATE SYSTEM ON BACK ALLOWS A PRECISE INCORPORATION WITH NECK BRACE AND A REAL FREEDOM OF MOVEMENT. NO MORE COMPLICATED ADJUSTMENTS, NO NEED TO REMOVE PLATES: JUST PUT YOUR NECK BRACE ON AND YOU ARE READY TO RIDE.



BEST RATIO PROTECTION/THICKNESS

The back protector is built with thin and advanced high density foam allowing reducing the thickness but still passing well all required tests.



FULL MOISTURE MANAGEMENT

Air circulates through the holes and mesh fabric to effectively manage efficiently moisture in your back and chest.



PERFECT LEATT® INTEGRATION

The back plates are split in 2 parts to emphasize the incorporation with the neck brace. The strut of the brace can follow your movement without making any pressure on the back plates.



TOTAL MOBILITY. COMFORTABLE FIT

On the back: the slot connections of the plates are wider to allow a better movement and the foam has a special shape to ensure better flex.
On the chest: The front is split in 5 panels to ensure more ranges of movement and wrap your chest.



SAFE CLOSURE

The ratchet buckles allow to adjust your fit and to be safe packed into your protection.

NEW JACKET VERSION

The new sleeve on the jacket version offers a comfortable fit avoiding arm pump due to the stretch fixing band and an easy bending due the intelligent design of the shells.



ERGONOMIC AND PRECISE COVERAGE

The protections were designed to follow the lines of your shoulder and elbows.

They are also minimalists but they protect you're your arm where you have impact risks.



SAFE AND EASY BENDING

The elbow shell is divided in 2 parts with an overlap between them: you can bend easily your elbow and be protected anyway.



ARM PUMP FREE ZONE

The forearm sleeves have integrated lycra stretch panels which provide a secure fit, and avoid the arm pump that traditional straps can cause.

VERTEBRAE PROTECTIVE SYSTEM



THE SCOTT VERTEBRAE SYSTEM WAS AWARDED SEVERAL TIMES FOR ITS INNOVATIVE AND UNIQUE CONSTRUCTION. THE PLATE SYSTEM MIMICS THE VERTEBRAE, ARTICULATING IN 3 AXES TO ENSURE FREE LATERAL EXTENSION AND COMPRESSION MOVEMENTS, RESULTING IN COMPLETE FREEDOM OF MOVEMENT AND THE HIGHEST LEVEL OF PROTECTION.

ARTICULATING HARD PROTECTION

The hard plastic plates are joined using an innovative rivet system allow the plates to move freely with the body, maximizing comfort and freedom of movement.

FULL MOISTURE MANAGEMENT

Air circulates through the holes of the different layers to effectively manage efficiently moisture in your back.

HIGH PROTECTION

The Vertebrae system adheres to the highest-level safety standard meaning you get added comfort without sacrificing safety. The 450 model is certifying according to Level 2 of the CE.

SOFT PROTECTION

SOFTCON PROTECTIVE SYSTEM

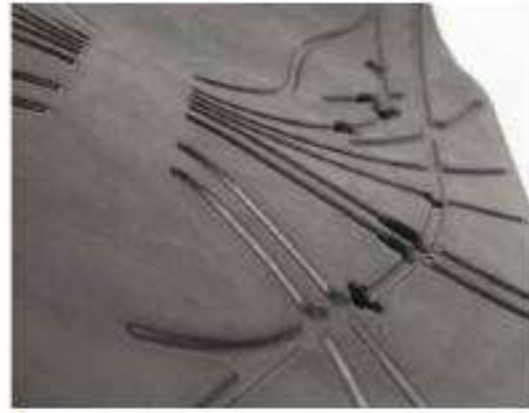
THE REVOLUTIONARY SOFTCON JACKET IS THE MOST FLEXIBLE AND COMFORTABLE SOLUTION TO BE PROTECTED WITHOUT COMPROMISING PROTECTION.

COMBINING INNOVATIVE MATERIALS -SAS TEC™- AND A UNIQUE DESIGN THE NEW SOFTCON DELIVERS UNPARALLELED FREEDOM OF MOVEMENT WHILE REMAINING PROTECTIVE BY PASSING TREE STANDARDS. ITS BACK AND FRONT ARE LOW PROFILED AND HAVE SPECIAL RECESS TO INCORPORATE AND FIT WITH NECK BRACES.



PERFECT NECK BRACE COMPATIBILITY

The recessed shape on front and back allows putting easily the neck brace on the protector without removing any parts and wearing the neck brace on the jersey.



MAXIMIZED AIRFLOW VENTILATION

The vents increase the circulation and fresh air to keep you cool.



FLEXIBLE SAS TEC™ FOAM STRUCTURE

SCOTT Motosports collection uses a unique viscoelastic material called SAS TEC™ that enhance flexibility allowing the protection to conform to the body and ensure a tight and consistent seal.



LOW PROFILE AND INVISIBLE LOOK

The protection is so thin that it is invisible under the jersey.

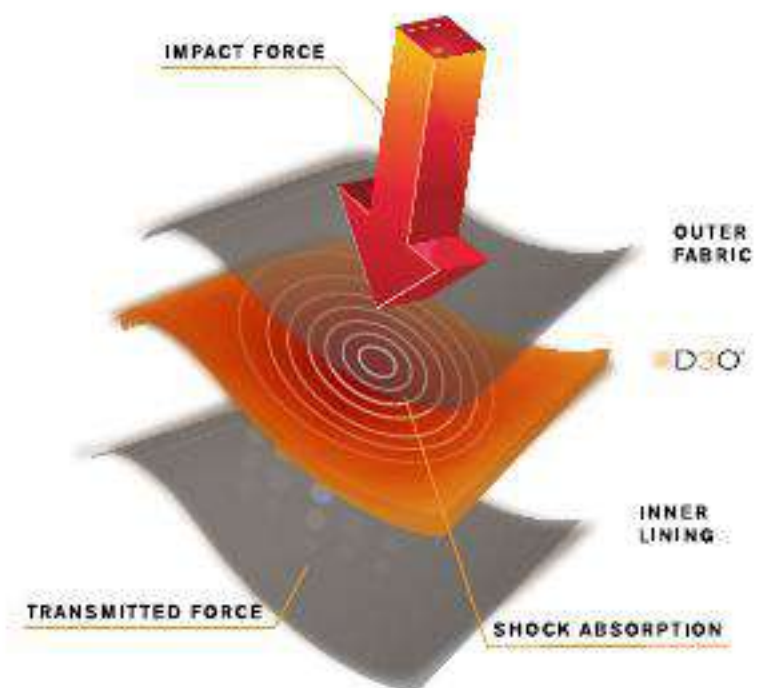
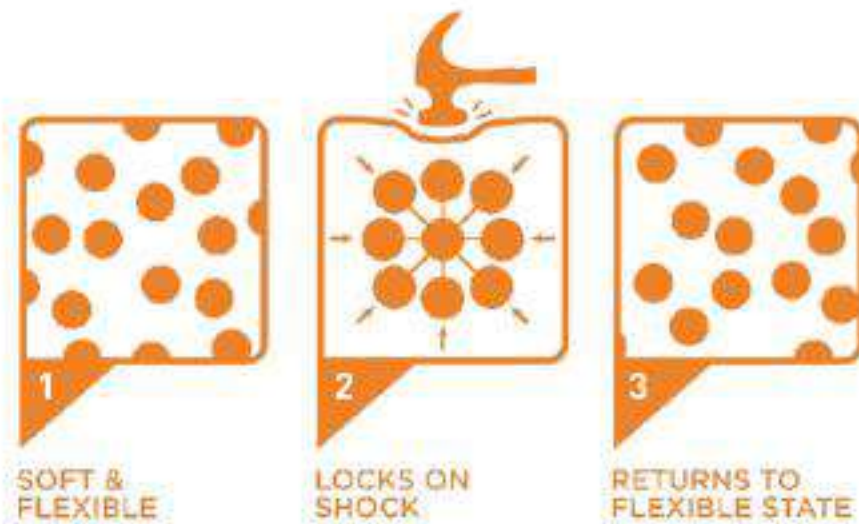
PROTECTION TECHNOLOGIES

HOW DOES D3O® MATERIAL WORK?

D3O® is a patented material with intelligent molecules. It flows with you as you move but locks together on impact to absorb energy and protect you. This unique innovative component provides an optimal freedom of movement and surpasses CE standards.

INCREASED COMFORT AND MOBILITY.

D3O® back protection is low profile, lightweight, flexible and soft. D3O® protectors allow for complete freedom of movement and mold to your body so you will not even feel like you are wearing a back protector.



SCOTT SPECIFIC DESIGN

SCOTT CR Back Protectors feature SCOTT's unique 3D mesh back that increases breathability. The adjustable belt helps you customize the fit.

NECK BRACE TECHNOLOGIES

Neck injuries can be of the most serious upper body injuries. The SCOTT NECK BRACE was engineered in collaboration with Leatt®, the market leader and pioneer of the "helmet for your neck". It functions in conjunction with your helmet and is designed to help protect your neck from extreme movements and overall neck loading in the event of an accident. The SCOTT NECK BRACE is engineered with Leatt's proven Alternative Load Path Technology™ (ALPT™) and features seamless integration of function, movement and looks.

ALPT: ALTERNATIVE LOAD PATH TECHNOLOGY.

All SCOTT Braces help protect riders from 5 types of head/neck impacts by employing Alternative Load Path Technology™. This innovation helps disperse the energy, typically transferred to the neck, resulting from an impact to the head* and assists in the transferring of forces away from the vulnerable neck structures to less vulnerable areas of the body and is pivotal in the design of all SCOTT neck Braces.

THE SCOTT NECK BRACE HELPS PROTECT AGAINST THE FOLLOWING MAIN SCENARIOS:



HYPEREXTENSION:
over-bending of the head in rearward direction.



LATERAL HYPERFLEXION:
over-bending of the head to one side.



POSTERIOR HYPERTRANSLATION:
extreme movement of head and helmet, rearward on the neck.



COUPLED AXIAL LOADING:
Helps prevent axial loading only when the axial forces act in combination with other mechanisms.



HYPERFLEXION:
over-bending of the head in forward direction

SCOTT COMMANDER JACKET PROTECTOR

232317

The SCOTT Commander jacket integrates perfectly with a neck brace and provides unprecedented comfort. The removable sleeves are minimalist and are fully ventilated to help keep the rider cool. Add in intelligently designed plastic shoulders and elbow pads, and the Commander Jacket becomes the ultimate body guard.

CONSTRUCTION:

- + Articulated PE and ABS plastic plates
- + Absorbing rubber foam layer

SIZE: M,L,XL

FEATURES

- + Patented Commander Neck brace integration system
- + Flexible plate construction
- + Anti-moisture inner panels in 3D mesh
- + Front ratchet buckle closure
- + Anatomic impact biceps foam
- + Removable mesh fabric sleeves
- + Arm pump free construction



black/green - 1043



white - 0002



SCOTT COMMANDER BODY ARMOR

WHITE OR BLACK/GREEN 237210

BLACK 221210

The SCOTT Commander Body Armor offers brace integration construction. Articulated plates on the back panel alleviate excess pressure and discomfort when wearing a neck brace. The vented, articulated plates allow for the back of any brace to be worn comfortably without interfering with the protector. It can be worn under or over the rider's jersey.

CONSTRUCTION:

- + Articulated and impact-absorbing shell
- + Combination of high innovative impact absorbing foams
- + Breathable mesh
- + Adjustable waist straps ratchet closure

SIZE: M,L,XL

FIT: Regular

FEATURES

- + Patented Commander Neck brace integration system
- + Flexible plate construction
- + Anti-moisture inner panels in 3D mesh
- + Shoulder length Velcro adjustment
- + Front Ratchet buckle closure



white - 0002
237210



black/green - 1043
237210



black - 0001
221210



SCOTT SOFTCON JACKET PROTECTOR

232314

The SCOTT Softcon jacket exemplifies cutting edge personal safety technology and provides unmatched comfort. It is designed to be worn under the jersey and integrates seamlessly with most neck braces. The innovative soft SAS TEC™ foam is associated with a very tear and scratch resistant foil but is built with venting for improved breathability.

CONSTRUCTION:

- + One-piece plate in SaS TEC™ on Back & Chest
- + SaS TEC™ pads on elbow & shoulder
- + 3D and stretchable mesh fabrics

SIZE: M,L,XL

FEATURES

- + Perfect Neck brace compatibility
- + Removable elbow and shoulder pads
- + Anti-moisture inner panels in 3D mesh
- + Main body made of stretch mesh fabric
- + Arm pump free construction
- + Lock zipper
- + Seamless collar



black - 0001

SCOTT SOFTCON VEST PROTECTOR

232315

The SCOTT Softcon Vest is designed to be worn under the jersey and integrates seamlessly with most neck braces. The Vest offers the same protective SAS TEC™ foam as the jacket and is perfect for those who want chest and back protection without the arm and elbow pads.

CONSTRUCTION:

- + One-piece plate in SaS TEC™ on Back & Chest
- + 3D and stretchable mesh fabrics

SIZE: M,L,XL

FEATURES

- + Perfect Neck brace compatibility
- + Anti-moisture inner panels in 3D mesh
- + Main body made of stretch mesh fabric
- + Lock zipper
- + Seamless collar



black - 0001

SCOTT SOFTCON BODY ARMOR

232316

The SCOTT Softcon Body Armor is a simple chest and back protector that features chest and back plates built with SAS TEC™ material. With adjustable waist lock buckles to ensure a secure fit, the armor also features recesses in the front and back to accommodate most neck braces.

CONSTRUCTION:

- + One-piece plate in SaS TEC™ on Back & Chest
- + 3D and stretchable mesh fabrics

SIZE: M,L,XL

FEATURES

- + Perfect Neck brace compatibility
- + Anti-moisture liner in 3D mesh
- + Adjustable waist belt
- + Easy lock buckle closure



black - 0001



black - 0001

SCOTT SOFTCON BACK PROTECTOR

232323

The SCOTT Softcon Back Protector is for those who are seeking the ultimate in back protection. It features adjustable shoulder and chest straps as well as an adjustable velcro belt to ensure a perfect fit. The back plate is fitted with SAS TEC™ material and features a layer of memory foam for the ultimate in comfort.

CONSTRUCTION:

- + One-piece plate in SaS TEC™
- + Additional highly absorbing foam layer
- + 3D mesh fabric

SIZE: M, L, XL

FEATURES

- + Anti-moisture liner in 3D mesh
- + Adjustable shoulder and chest straps
- + Adjustable velcro belt



black/green - 1043

SCOTT PURSUIT 450 JACKET PROTECTOR

225592

The SCOTT 450 Pursuit Jacket offers SCOTT's highest level of protection. With a removable forearm and back-plate, as well as shoulder and lumbar adjustment, the Pursuit Jacket can be adjusted to perfection depending on the rider's preferences and the demands of the environment.

CONSTRUCTION:

- + Impact plastic coverage
- + Internal light honey comb structure
- + Soft high absorbing foam layer

SIZE: M, L, XL

FIT: Regular

FEATURES

- + Exclusive vertebrae protective plates system with ventilated plastic back plates
- + Removable forearm sleeves and back protector plate
- + Adjustable elbow and forearm guard
- + Adjustable shoulder width
- + Lumbar adjustment and velcro closure belt
- + Neck brace compatible
- + Side zipper entry



black/green - 1043

SCOTT SOFT CR II BACK PROTECTOR

237211

The SCOTT Soft CR II back protector features the innovative D3O® Viper plate. The plate is low profile which makes it compatible with most neck braces.

CONSTRUCTION:

- + D3O® Viper protective plate
- + Aerated 3D mesh

SIZE: M, L, XL

FEATURES

- + Removable, soft, ventilated D3O® Viper back plate
- + Breathable mesh back panel
- + Adjustable shoulder straps and chest belt
- + Double elastic hip belt



SCOTT COMMANDER ELBOW GUARDS

232322

The SCOTT Commander Elbow guards were designed to flex with the natural motion of the elbow and feature a vented mesh fabric on the sleeve for better breathability. The mesh also helps to reduce arm pump.

CONSTRUCTION:

- + Articulated PE plastic plates
- + Absorbing rubber foam layer

SIZE: S/M, L/XL

FEATURES

- + Removable and easy bendable elbow caps
- + Removable adjustment strap
- + Full fabric sleeve



black - 0001

SCOTT MX KNEE GUARD

217775

These guards offer basic knee and shin protection. The knee guards feature an efficient 3-strap adjustment and are fully articulated for ease of movement.

CONSTRUCTION:

- + Impact plastic coverage
- + Bio-Foam

SIZE: one size

FIT: Regular

FEATURES

- + Articulating Knee
- + 3 comfort straps



black/green - 1043

SCOTT MX UNDERSHORTS PROTECTOR

225598

The SCOTT MX Undershirt was designed to be worn under MX pants to provide extra hip protection. A comfortable chamois was added to the seat area to provide more cushion. This undershirt is perfect for those seeking a little more protection as well as more comfort in the saddle.

CONSTRUCTION:

- + Impact plastic coverage
- + Soft absorbing foam pads

SIZE: S,M,L,XL

FIT: Regular

FEATURES

- + Removable plastic shell protection on legs
- + Protective flap in EVA on the top of hips
- + Chamois pad for increased comfort
- + Breathable and comfortable mesh construction
- + Multi-panel construction



black/green - 1043



black - 0001

SCOTT 550 NECK BRACE

237807

The SCOTT 550 neck brace balances the individual needs of comfort, effectiveness and safety. Adjustability ensures secure fitting and greater freedom of motion, optimizing the Leatt® protective technology. The semi-rigid chassis is flexible and adjustable enough to fit most riders' body shape, while the structure remains rigid enough to help transmit energy during an impact.

CONSTRUCTION:

- + Fiberglass reinforced polyamide resin structure
- + Injected foam padding

SIZE: S/M, L/XL

FEATURES

- + Engineered snap-off thoracic strut
- + Full adjustability - sliding front and rear adjusters
- + Removable pads to adjust the height of the brace
- + Collar bone cut out section
- + Quick release closure



grey/black - 1019

SCOTT 250 NECK BRACE

235877

The SCOTT 250 neck brace is a premium neck protection with an affordable price tag. Fiberglass reinforced polyamide construction and Biofoam padding with fixed front and rear panels.

CONSTRUCTION:

- + Fiberglass reinforced polyamide resin
- + Carbon-fibre, reinforced with Kevlar® Shock absorbing Biofoam.

SIZE: S/M, L/XL

FIT: Premium

FEATURES

- + Engineered snap-off thoracic strut
- + Full adjustability - sliding front and rear adjusters
- + Red hinges - easy identification for medical personnel
- + Collar bone cut out section
- + Easy fit strap system
- + Crumple zone

NECK BRACE ACCESSORIES

250 NECK BRACE PARTS (235877)

SAP CODE	NAME	COLOR	SIZES
224025	Spacing Pin Brace 250/450/Bike	black	0mm, 10mm, 20mm, 30mm
230659	Strap Set Brace 250/450/Bike all size	clear	one size
235879	Thoracic Set Brace 250	black	one size
224026	Thoracic Set Brace 250	black	one size
235881	Back Brace Set 250	black/white	S/M, L/XL
224028	Back Brace Set 250	black	S, M
235883	Padding Set Brace 250	black	S/M, L/XL
224032	Padding Set Brace 250	black/grey	S, M
224030	Hinge Set Brace 250	black/red	one size

550 NECK BRACE PARTS (237807)

SAP CODE	NAME	COLOR	SIZES
239364	Padding Height Adjust Set 550	black	one size
239365	Padding Height Adjust Jr Set 550	black	one size
239366	Strap Set 550	transparent	one size
239367	Strap Jr Set 550	transparent	one size

PROTECTION SIZE CHARTS

BODY ARMOR AND BACK PROTECTORS

232314 SOFTCON JACKET PROTECTOR* 232315 SOFTCON VEST PROTECTOR 232316 SOFTCON BODY ARMOR	M		L		XL		STANDARD
	CM	IN	CM	IN	CM	IN	
HEIGHT	<170	<5'5"	170-180	5'5"-6'	>180	>6'	Back: Level 1 according to EN 1621-2: 2003 and PR EN 1621-2:2013 Chest: EN 14021: 2003 *Elbow and Shoulder (Jacket Protector only): Level 2 according to EN 1621-1: 2012
TORSO LENGTH	39-42.5	15"-17"	42.5-45	17"-18.5"	45-48.5	18"-19"	
WAIST	74-86	29"-34"	86-93	34"-36"	93-100	36"-39"	
CHEST	85-95	34"-37"	95-105	37"-41"	105-115	41"-47"	

232323 SOFTCON BACK PROTECTOR	M		L		XL		STANDARD
	CM	IN	CM	IN	CM	IN	
HEIGHT	<170	<5'5"	170-180	5'5"-6'	>180	>6'	Back: Level 2 according to EN 1621-2: 2003 and Pr EN 1621-2: 2013
TORSO LENGTH	39-42.5	15"-17"	42.5-45	17"-18.5"	45-48.5	18"-19"	

225592 PURSUIT 450 JACKET PROTECTOR	M		L		XL		STANDARD
	CM	IN	CM	IN	CM	IN	
HEIGHT	<170	<5'5"	170-180	5'5"-6'	>180	>6'	Back: Level 2 according to EN 1621-2: 2003 Chest: EN 14021: 2003 Elbow and Shoulder: Level 1 according to EN 1621-1: 2012
TORSO LENGTH	39-42.5	15"-17"	42.5-45	17"-18.5"	45-48.5	18"-19"	
CHEST	85-95	34"-37"	95-105	37"-41"	105-115	41"-47"	

232317 COMMANDER JACKET PROTECTOR* 237210 COMMANDER BODY ARMOR	M		L		XL		STANDARD
	CM	IN	CM	IN	CM	IN	
HEIGHT	<170	<5'5"	170-180	5'5"-6'	>180	>6'	Back: Level 1 according to EN 1621-2: 2003 Chest: EN 14021: 2003 *Elbow and Shoulder (Jacket Protector only): Level 1 according to EN 1621-1: 2012
TORSO LENGTH	39-42.5	15"-17"	42.5-45	17"-18.5"	45-48.5	18"-19"	
CHEST	85-95	34"-37"	95-105	37"-41"	105-115	41"-47"	

237211 SOFT CR II BACK PROTECTOR	M		L		XL		STANDARD
	CM	IN	CM	IN	CM	IN	
HEIGHT	<170	<5'5"	170-180	5'5"-6'	>180	>6'	Back: Level 2 according to EN 1621-2: 2003
TORSO LENGTH	39-42.5	15"-17"	42.5-45	17"-18.5"	45-48.5	18"-19"	

PANTS, KNEE AND ELBOW

225598 MX UNDERSHORTS PROTECTOR	S		M		L		XL		STANDARD
	CM	IN	CM	IN	CM	IN	CM	IN	
WAIST	74-79	29"-31"	79-84	31"-33"	84-89	33"-35"	92-96	36"-38"	Hip: Level 1 according to EN 1621-1: 2012

217775 MX KNEE GUARDS	UNISIZE	STANDARD
		Knee: Level 1 according to EN 1621-1: 2012

232322 COMMANDER ELBOW GUARDS	S/M		L/XL		STANDARD
	CM	IN	CM	IN	
TOP OPENING	27-31	10.5"-12.5"	31-37	12.5"-14.5"	Elbow: Level 1 according to EN 1621-1: 2012
BOTTOM OPENING	20-24	8"-9.5"	24-28	9.5"-11"	

NECK BRACE

CHEST CIRCUMFERENCE	S/M				L/XL				STANDARD			
CENTIMETER	82-86	86-90	90-94	94-98	98-102	102-106	106-110	110-114	114-118	118-122	122-126	CE certified as Personal Protective Equipment 89/686/EEC
INCH	32½-34	34-35½	35½-37	37-38½	38½-40	40-41½	41½-43	43-45	45-46½	46½-48	48-49½	



Chest circumference right below the arms

PROTECTION | OVERVIEW

232317: COMMANDER JACKET PROTECTOR
PG.064



black/green - 1043



white - 0002



white - 0002
257210



black/green - 1043
237210



black - 0001
221210



black - 0001

232314: SOFTCON
JACKET PROTECTOR
PG.065

232315: 250 NECK
BRACE PG.068



black - 0001

232316: SOFTCON
BODY ARMOR PG.065



black - 0001

232314: SOFTCON
BACK PROTECTOR
PG.066



black - 0001

225592: PURSUIT 450
JACKET PROTECTOR
PG.066



black/green - 1043

237211: SOFT.CR II
BACK PROTECTOR
PG.066



black/green - 1043

232322: COMMANDER
ELBOW GUARDS
PG.067



black - 0001

217775: MX KNEE
GUARD PG.067



black/green - 1043

225598: MX
UNDERSHORTS
PROTECTOR PG.067



black/green - 1043

237807: 550 NECK
BRACE PG.068



black - 0001

235877: 250 NECK
BRACE PG.068



grey/black - 1019



SCOTT
JUNIOR

—



OXIDE SERIES



electric blue
orange chrome works - 1976280



electric blue
orange chrome works - 1976280



black/green
yellow chrome works - 1043289



orange/blue
electric blue chrome works - 1415278

SCOTT 89Si PRO GOGGLES

237589

Die 89SiPro beinhaltet alle Leistungsmerkmale von Erwachsenenbrillen, in der Größe ist sie aber auf Junioren angepasst. Diese Brille beinhaltet alles, was ein junger, aufstrebender Nachwuchsfahrer benötigt, um ganz oben auf das Podium zu kommen.



LENS FEATURES

- + SCOTT TruView single lens
- + 100% UV protection
- + NoFog anti-fog lens treatment

FEATURES

- + Hypoallergenic soft face foam
- + No-Slip silicone strap
- + Rubber-back polyester strap (on black and white)



race black/green
silver chrome works - 4601269



track orange/blue
silver chrome works - 4607269

The SCOTT 89Si is an entry level junior goggle designed with basic features to ensure a fun day at the track or on the trail.

FIT: Regular

LENS FEATURES

- + SCOTT TruView single lens
- + 100% UV protection
- + NoFog anti-fog lens treatment

FEATURES

- + Hypoallergenic soft face foam
- + No-Slip silicone strap
- + Rubber-back polyester strap (on black and white)



black
clear afc - 0001041



white
clear afc - 0002041



red
clear - 0004043



orange
clear - 0036043

LENS REPLACEMENTS

	CLEAR	BLUE	GREY	SILVER CHROME
VOLTAGE JR				
SINGLE LENS - 205185	043			
89Si				
SINGLE LENS - ANTIFOG - 205192				263
SINGLE LENS - 205192	043		119	
THERMAL LENS - ANTIFOG - 228506		037		

SCOTT 350 KIDS HELMET

Similar to the adult helmets, the SCOTT 350 Kids helmets combines high end materials with cutting edge construction. Without having to compromise junior riders can have a helmet that looks good, feels good, and protects their head.

FABRIC COMPOSITION

+ Injection molded ABS shell

SIZES: S-L

FEATURES

- + Removable, washable, adjustable liner and cheek pads
- + Highly integrated intake and exhaust vents
- + Easy adjust visor

WEIGHT	S	M	L
ECE	1150 ± 50	1150 ± 50	
DOT	1050 ± 50	1050 ± 50	
AS	1150 ± 50	1150 ± 50	

SIZE	S	M	L
CENTIMETER	48-49	50-51	52-53
INCHES	18.5-19.3	19.4-20	20-20.8

SCOTT 350 TROPHY KIDS HELMET

237833



red/blue - 1228



grey/green - 1457



light blue/yellow - 3087



black/green - 1043



blue/green - 1413



SCOTT 350 TROPHY KIDS VISOR

237839

SIZES: one size



red/blue - 1228



grey/green - 1457



light blue/yellow - 3087

SCOTT 350 DIRT KIDS VISOR

237840

SIZES: one size



black/green - 1043



blue/green - 1413

SCOTT 350 PRO KIDS LINER SET

237841

SIZES: S-L



black - 0901

SCOTT 350 PRO KIDS CHEEK PAD SET

237842

SIZES: S-L



black - 0001

SCOTT 350 KIDS JERSEY

The SCOTT 350 kids jersey is light, comfy, and is highly vented to keep you cool on the bike. This jersey has high end features all while being affordable.

SIZES: S-XL

MATERIAL: 100% Polyester

FEATURES

- + Dual layer V-neck collar
- + Raglan sleeve with padded elbow
- + Lycra cuff for a snug fit

SCOTT 350 KIDS PANT

The SCOTT 350 kids pant combines tough construction with stretch and vent panels for comfort no matter how intense the race gets. It features leather inner knee areas for added durability as well as ribbed spandex in the knees to accommodate knee braces.

SIZES: 22-28

MATERIAL: 600D Nylon, Spandex, 3/4 mesh liner, Leather inner knees, Nylon outer knees

FEATURES

- + Articulated pre bent fit in rider attack position
- + Ribbed spandex upper knee
- + Leather inner knee for durability
- + Natural lower leg cuff
- + Inner liner 1/2 mesh featuring back yoke lycra stretch
- + Ultra-light TPR's
- + Micro adjustable ratchet closure

SCOTT 350 RACE KIDS

JERSEY **237559**

PANT **237567**

SCOTT 350 DIRT KIDS

JERSEY **237560**

PANT **237568**



red/blue - 1228



lightblue/yellow - 3087



black/white - 1007



blue/green - 1413

SCOTT 350 KIDS GLOVES

The SCOTT 350 kids glove is for the rider who wants dependable performance at an affordable price. The glove features a spandex upper, a polyester palm, and a no-slip neoprene cuff for a comfortable, yet functional feel.

SIZES: XS-L

SHELL FABRIC: Top hand Twill spandex, palm Nash, Lycra trim

FEATURES

- + Slip on design
- + Single layer Nash synthetic leather palm for maximum feel
- + Silicone Tacky palm and lever grip

SCOTT 350 RACE KIDS GLOVES

237586

SCOTT 350 DIRT KIDS GLOVES

237587



light blue/yellow - 3087



red/blue - 1228



black/white - 1007



blue/green - 1413

SCOTT COMMANDER JUNIOR BODY ARMOR

BLACK/GREEN **237212**
WHITE **232318**

The Junior Commander Body Armor offers the same neck brace integration construction as the adult version. Articulated plates on the back panel alleviate excess pressure and discomfort when wearing a neck brace. The vented, articulated plates allow for the back of any brace to be worn comfortably without interfering with the protector. It can be worn under or over the rider's jersey.

CONSTRUCTION:

- + Articulated PE and ABS plastic plates
- + Absorbing rubber foam layer

SIZE: XS, S

FEATURES

- + Neck brace integration
- + Flex panels
- + Shoulder adjustment
- + Waist adjustment



white - 0002
232318



black/green - 1043
237212

SCOTT SOFT CR II JUNIOR BACK PROTECTOR

225600

The SCOTT Junior SCOTT Soft CR II back protector features the innovative D3O® Viper plate surrounded by ventilated 3D mesh. The plate is low profile which makes it compatible with most neck braces. With multiple adjusting straps the Junior Soft CR II can be adjusted for a custom fit.

CONSTRUCTION:

- + D3O® Viper protective plate
- + Aerated 3D mesh

SIZE: XS, S

FIT: Regular

FEATURES

- + Removable, soft and ventilated D3O® Viper back plate
- + Adjustable shoulder straps and chest strap
- + Double elastic hip belt



black/green - 1043



JUNIOR PROTECTION SIZE CHARTS

237212 COMMANDER JR BODY ARMOR	XS		S		STANDARD
	CM	IN	CM	IN	
HEIGHT	130-150	4'-5"	150-165	5'-5.5"	Back: Level 1 according to EN 1621-2: 2003 Chest: EN 14021: 2003
TORSO LENGTH	31-35	12"-14"	35-39	14"-15"	
CHEST	65-80	25"-31"	65-80	25"-31"	

225600 SOFT CR II JR BACK PROTECTOR	XS		S		STANDARD
	CM	IN	CM	IN	
HEIGHT	124-140	4'-5"	140-155	5'-5.5"	Back: Level 2 according to EN 1621-2: 2003
TORSO LENGTH	31-35	12"-14"	35-39	14"-15"	



black - 0001

SCOTT 550 JUNIOR NECK BRACE

237808

The Junior Neck Brace 550 balances the needs of comfort, effectiveness and safety by allowing greater freedom of movement and adjustment. Specifically designed for adjustability ensure a correct fit as junior riders grow, optimizing effectiveness and protection. Shoulder pads can raise or lower the brace for a personalized fit while lowered side areas accommodates the smaller stature of junior riders.

CONSTRUCTION:

- + Fiberglass reinforced polyamide resin structure
- + Injected foam padding

SIZE: one size

FEATURES

- + Engineered snap-off thoracic strut
- + Full adjustability - sliding front and rear adjusters
- + Removable pads to adjust the height of the brace
- + Collar bone cut out section
- + Quick release closure



black - 0001

SCOTT JUNIOR NECK ARMOR

237809

The Jr. Neck Armor is the first of its kind, combining neck and torso protection for Junior riders. It addresses that young riders are more susceptible to chest, flank, shoulder, back and neck injuries. Pairing established neck protection with new impact absorbing 3DF foam technology provides a comfortable and well vented upper body protector.

CONSTRUCTION:

- + Fiberglass reinforced polyamide resin structure of the brace
- + Absorbing rubber foam layer - 3DF foam technology

SIZE: XS, S

FEATURES

- + Neck protection based on the 550 neck brace model
- + Flexible neck structure
- + Removable shoulder protection
- + Large Velcro closure on chest sides
- + Vest built with soft, aerated and flexible impact foam
- + Inner mesh fabric panel
- + Quick release closure

JUNIOR NECK BRACE SIZE CHART

	ONE SIZE		STANDARD
	CM	IN	
CHEST CIRCUMFERENCE	74-78	29½-31	Neck: CE certified as Personal Protective Equipment 89/686/EEC



Chest circumference right below the arms

JUNIOR NECK ARMOR SIZE CHART

	XS		S		STANDARD
	CM	IN	CM	IN	
BODY HEIGHT	105 - 125	3' 5" - 4' 1"	125 - 150	4' 1" - 4' 11"	Neck: CE certified as Personal Protective Equipment 89/686/EEC Back: CE certified to EN1621-2: 2003 Level 1 Chest: CE certified to prEN1621-3:2012 Level 1 Shoulder: CE certified to EN1621-1: 2012 Level 1 Type A

JUNIOR | OVERVIEW

237589: 89SI PRO PG.074



electric blue
orange chrome works - 1976280



electric blue
orange chrome works - 1976280



black/green
yellow chrome works - 1043289



orange/blue
electric blue chrome works - 1415278



race black/green
silver chrome works - 4601269



track orange/blue
silver chrome works - 4607269

218158: 89SI PG.075



black
clear afc - 0001041



white
clear afc - 0002041



red
clear - 0004043



orange
clear - 0036043



red/blue - 1228



grey/green - 1457

237833: 350 TROPHY KIDS HELMET PG.076

237834: 350 DIRT KIDS HELMET PG.077



light blue/yellow - 3087



black/green - 1043



blue/green - 1413



red/blue - 1228



grey/green - 1457



light blue/yellow - 3087

237839: 350 TROPHY KIDS VISOR PG.077

237840: 350 DIRT KIDS VISOR



black/green - 1043



blue/green - 1413



black - 0001



black - 0001



red/blue - 1228



light blue/yellow - 3087

237841: 350 PRO KIDS LINER PG.077

237842: 350 PRO KIDS CHEEK PAD PG.077

237559: 350 RACE KIDS PG.078

237560: 350 DIRT KIDS PG.078



black/white - 1007



blue/green - 1413



red/blue - 1228



light blue/yellow - 3087



black/white - 1007



blue/green - 1413

237567: 350 RACE KIDS PG.078

237568: 350 DIRT KIDS PG.078

237586: 350 KIDS GLOVES PG.078



light blue/yellow - 3087



red/blue - 1228



black/white - 1007



blue/green - 1413



white - 0002



black/green - 1043
237212

237587: 350 DIRT KIDS GLOVES PG.078

BLACK/GREEN 237212: COMMANDER JUNIOR BODY ARMOR PG.079

225600: SOFT CR II JUNIOR BACK PROTECTOR PG.079



black/green - 1043

237808: 550 JUNIOR NECK BRACE PG.080



black - 0001

237809: JUNIOR NECK ARMOR PG.080



black - 0001



SCOTT GRIPS

—

SCOTT DIAMOND - (GRIP+DONUT PAK-6) 230127

The SCOTT Diamond Grip is a triple density grip that focuses on reducing arm fatigue without sacrificing control. The medium density waffle pattern delivers maximum comfort and durability while the soft density diamond pattern area reduces vibration, arm pump and fatigue, and the firm density for a more durable end cap. Included Neoprene grip donuts help reduce abrasion and thumb blisters.

SIZES: one size

FEATURES

- + Triple density grip
- + Full waffle design
- + Integrated safety wire channel
- + Grip donuts included



black/white - 1007

blue/white - 1006

red/white - 1005

green/black - 1089



grey/black - 1019

SCOTT DEUCE - (GRIP+DONUT PAK-6) 230128

The SCOTT Deuce Grip is a half-waffle, dual compound grip designed to offer maximum grip and comfort. With a medium density raised waffle pattern and a soft density palm area, this grip fights vibration, arm pump and fatigue.

SIZES: one size

FEATURES

- + Double density grip
- + Half waffle pattern
- + Soft density palm area
- + Integrated safety wire channel
- + Grip donuts included



black/green - 1043

grey/blue - 1100

red/grey - 1010

grey/white - 1199



black/grey - 1001

SCOTT SX II KIT GRIP - (GRIP+DONUT PAK-6) 230129

The SCOTT SXII grip is a dual density grip with a soft density diamond pattern surrounding a firm density core and end cap. The raised diamond texture offers incredible grip, while the soft compound helps reduce arm and hand fatigue. Included Neoprene grip donuts help reduce abrasion and thumb blisters. This grip is a top choice amongst many top racers and weekend warriors alike.

SIZES: one size

FEATURES

- + Double density grip
- + Full diamond design
- + A firm density inner compound
- + A soft density diamond pattern
- + Integrated safety wire channel



grey/black - 1019

blue/silver - 1024

white/grey - 1039

green/black - 1089



red/black - 1018



black - 0001

SCOTT RADIAL FULL WAFFLE MX GRIP - (GRIP+DONUT PAK-6)

233694

The Newly updated SCOTT Radial Full Waffle grip is based on the Hurricane Full waffle grip which was the standard by which most grips are based. Radial Full Waffle grip features a tried and true design that has been around for decades. Featuring a full waffle design, the Radial grip offers a dependable feel many top racers have come to expect.

SIZES: one size

FEATURES

- + Single density grip
- + Traditional full waffle design
- + Integrated safety wire channel



grey - 0011



orange - 0036



black - 0001

SCOTT RADIAL FULL WAFFLE ATV GRIP - (GRIP+DONUT PAK-6)

233695

The SCOTT Radial Full Waffle ATV grip is a basic full waffle grip designed specifically for use on ATV's.

SIZES: one size

FEATURES

- + Single density grip
- + Traditional full waffle design
- + Integrated safety wire channel
- + Perfect for ATV activities



grey - 0011

SCOTT RADIAL HALF WAFFLE MX GRIP - (GRIP+DONUT PAK-6)

233696

The SCOTT Radial grip is a single density half waffle grip. A half waffle pattern on one side and a low profile pattern on the other offers great grip and comfort. This traditional grip is a top choice amongst many top racers and weekend warriors alike.

SIZES: one size

FEATURES

- + Single density grip
- + Half waffle pattern
- + Soft palm area
- + Integrated safety wire channel



black - 0001



orange - 0036



black/white - 1007

SCOTT LOGO DONUTS

218832

A traditional neoprene lined grip SCOTT Logo donuts designed for additional comfort, reduces abrasion and thumb blisters.

SIZES: one size



**SCOTT
BAGS & PACKS**

—

SCOTT SIX DAYS HIP-BELT

237325

The SCOTT Six-Days Hip-Belt provides an easy solution for carrying all your tools in even the most demanding competitive settings.

MATERIAL: 420 Honey Frame, 210D Polyester

WEIGHT: 0.45kg

VOLUME: 4.5L

SIZE: one size

FEATURES

- + Waist-belt with anti-slip Velcro closure inside
- + Compression webbing straps, buckle closure outside
- + One large folding central pocket with several compartments and with a roll out tool flap
- + Two side zipper pockets
- + Elastic based hip-belt strap



black/lime green - 2897

SCOTT RACE DAY HIP-BELT

237326

The SCOTT Race Day hip bag is a compact hip belt perfectly suited for a day spent riding with friends on the trails.

MATERIAL: 420 Honey Frame, 210D Polyester

WEIGHT: 0.38kg

VOLUME: 3L

SIZE: one size

FEATURES

- + Waist-belt with anti-slip Velcro closure inside
- + Compressions webbing straps, buckle closure outside
- + Large central pocket for spare parts and lenses with additional folding flaps for tools
- + Two side zipper pockets



black/lime green - 2897

SCOTT PIT LANE HIP-BELT

237327

The SCOTT Pit Lane Hip-Belt is simple in design but great for multipurpose storage and carrying basic tools, extra goggles or any other small items you require.

MATERIAL: 420 Honey Frame, 210D Polyester

WEIGHT: 0.48kg

VOLUME: 4.5L

SIZE: one size

FEATURES

- + Waist-belt with anti-slip Velcro closure inside
- + Compressions webbing straps, buckle closure outside
- + One central pocket for goggle and lenses and/or spare parts with the additional folding flaps for tools
- + Bottle cage on one side of the belt



black/lime green - 2897

SCOTT GRAFTER PACK

237328

The SCOTT Graftor Pack is a larger bag made to accommodate the storage of tools, food and any other items you need for a long trail ride or Enduro.

MATERIAL: 420 Honey Frame, 210D Polyester, 840 Polyester

WEIGHT: 0.68kg

VOLUME: 18L

SIZE: one size

FEATURES

- + Full-face helmet carrying system
- + Front flap tool pocket
- + Separate bladder compartment, back access
- + Compression straps



black/lime green - 2897

SCOTT ROAMER PACK

237329

The SCOTT Graftor Pack is a larger bag made to accommodate the storage of tools, food and any other items you need for a long trail ride or Enduro.

MATERIAL: 420 Honey Frame, 210D Polyester

WEIGHT: 0.42kg

VOLUME: 12L

SIZE: one size

FEATURES

- + Back access bladder compartment
- + Audio device pocket
- + Hip belt
- + Bladder included
- + Sternum strap belt



black/lime green - 2897

SCOTT RADIATOR WATERBAG

237330

The SCOTT Radiator Waterbag Pack is a minimalist bag that includes a water bladder and a few key pockets. It is specifically designed for short trail rides where you only need to bring the bare necessities.

MATERIAL: 420 Honey Frame, 210D Polyester

WEIGHT: 0.55kg

VOLUME: 2L

SIZE: one size

FEATURES

- + One main compartment for SCOTT drink system reservoir
- + Ergonomically pre-shaped back with padding and venting mesh
- + One central outside zipper pocket
- + Additional tool pocket
- + Bladder included
- + Sternum strap belt



black/lime green - 2897

SCOTT GOGGLE CASE

237332

The SCOTT Goggle Case is perfect for storing up to 5 pairs of goggles, multiple lenses and any other goggle related items needed for a day at the races.

MATERIAL: 420 Honey Frame, 210D Polyester
WEIGHT: 0.88kg
VOLUME: 5 goggles
SIZE: one size
FEATURES
+ Hard-molded case for 5 goggles with WFS
+ Sleeves for extra lenses



black/lime green - 2897

SCOTT SMALL GOGGLE CASE

225568

The SCOTT Small Goggle Case holds two pairs of goggles and protects them from the elements. It also features a sleeve for extra lenses.

MATERIAL: 420 Honey Frame, 210D Polyester
WEIGHT: 0.22kg/5 Lbs
VOLUME: 2 goggles
SIZE: one size
FEATURES
+ Hard-molded case for 2 goggles with WFS
+ Sleeves for extra lenses



black/lime green - 2897

SCOTT GOGGLE CLEANER POUCH

225572

The SCOTT Goggle Pouch Cleaner is a basic polyester bags designed to protect a pair of goggles from scuffs and scratches while packed away in a gear bag. Sold as a 5 pack.

MATERIAL: 420D Honey Frame, 210D Polyester
WEIGHT: 0.04kg
VOLUME: 1 goggle
SIZE: one size
FEATURES
+ To protect and clean goggles



black/lime green - 2897

SCOTT LENS CASE

225571

The SCOTT Lens Case is a simple sleeve that protects lenses from scratches and scuffs. It's perfect for storing up to 8 lenses and for when you are in need of a quick lens change.

MATERIAL: 420D Honey Frame, 210D Polyester
WEIGHT: 0.08kg
VOLUME: 8 lenses
SIZE: one size
FEATURES
+ Padded-soft case for 8 lenses



black/lime green - 2897

SCOTT HELMET BAG

237335

The SCOTT Helmet Bag is perfect for protecting your helmet from scuffs and scrapes while ventilation mesh helps air out the helmet after a day on the track or trail.

MATERIAL: 420D Honey Frame, 210D Polyester, 800D x 600D Diamond PVD
WEIGHT: 0.34kg
VOLUME: 1 helmet
SIZE: one size
FEATURES
+ Mesh insert for ventilation
+ Fits all sizes
+ Neoprene inserts



black/lime green - 2897

SCOTT BOOT BAG

237336

The SCOTT Boot Bag is the perfect way to store your boots without having to cram them in your gear bag. The zip flap can be utilized as a foot mat and key ventilation holes keep your boots aired out so they don't develop odor.

MATERIAL: 420 Honey Frame, 210D Polyester, 800D x 600D Diamond PVD
WEIGHT: 0.44kg
VOLUME: 1 pair of boots
SIZE: one size
FEATURES
+ Ventilated bag
+ Fits all sizes
+ Zip flap can be used as foot mat



black/lime green - 2897

SCOTT GEAR DUFFLE

237337

The SCOTT Gear Bag makes hauling your gear around easy. With skateboard wheels and a telescoping handle traveling will no longer be a hassle. Additional features such as a concealed zipper pocket, a pull out mat to stand on and enough compartments and pockets to store everything you need, makes packing your gear a simple task.

MATERIAL: 840D Polyester, 600D Polyester, 210D Polyester, 420D Polyester

DIMENSIONS

HEIGHT: 86cm, **WIDTH:** 40cm, **DEPTH:** 45cm

WEIGHT: 4.0kg

VOLUME: 130L

FEATURES

- + Replaceable skateboard wheels
- + Padded boot compartment
- + Padded helmet compartment with ventilation holes
- + Ventilation rivets for the side compartments



black/lime green - 2897

SCOTT QUALIFIER HIP BELT

237331

The Qualifier Hydro Pack is a hip-belt design pack that fastens to the waist. An included water bladder with a long hose which can be fixed to the mouth piece of a helmet allows the rider to access a drink without having to stop. Additional storage pockets for tools.

MATERIAL: 420D Honey Frame, 210D Polyester

WEIGHT: 0.3kg/6Lbs

VOLUME: 3L

FEATURES

- + Several compartments
- + Tool attachment loops
- + Compression straps
- + Fixation flap for rider pack
- + Hip belt
- + Elastic-based hip belt strap
- + Strap to attach a helmet



black/lime green - 2897

SCOTT HYDRO PACK SET

230125

DIMENSIONS

HEIGHT: 31cm, **WIDTH:** 16cm, **DEPTH:** 7cm

WEIGHT: 2L

SIZE: one size

FEATURES

- + 2 liter capacity, turn inside out for cleaning
- + Translucent



SCOTT TPU FOAM TUBE WITH SURGE VALVE

205989

SIZE: one size

FEATURES

- + Replacement drink tube with mouthpiece.



SCOTT SURGE VALVE

205990

SIZE: one size

FEATURES

- + Replacement surge valve



SCOTT TUBE CONNECTOR PLUG AND PLAY

205991

SIZE: one size

FEATURES

- + Replacement bladder-to-hose connector



SCOTT TUBE BRUSH

205992

SIZE: one size

FEATURES

- + Ideal for cleaning out hydro tubes.



SCOTT TRAVEL 110

231008

The SCOTT Travel 110 splits into two separate bags so you can keep your belongings organized. It rolls for easy transportation and has a hard-molded bottom and padded sidewalls to protect its contents. With 110 liters of space it is the perfect travel companion for long trips when you have a lot to bring with you.

MATERIAL: 840D Polyester, 600D Polyester, 210D Polyester, 800D x 600D Diamond PVD, Mesh

DIMENSIONS

HEIGHT: 81cm, **WIDTH:** 43cm, **DEPTH:** 43cm

VOLUME: 110L

WEIGHT: 5.15kg

SIZE: one size

FEATURES

- + Main compartment with removable Velcro divider
- + Hidden document pocket
- + Telescoping handle
- + Diamond ripstop floor reinforcement
- + Compression straps



black/grey - 1001

SCOTT TRAVEL 65

231009

The SCOTT Travel 65 bag has a large compartment with a hard-molded bottom and padded sidewalls to protect its contents. With 65 liters of space and easy rolling wheels, it is the perfect travel companion for medium to long trips when you need to conserve space.

MATERIAL: 840D Polyester, 600D Polyester, 210D Polyester, 800D x 600D Diamond PVD, Mesh

DIMENSIONS

HEIGHT: 66cm, **WIDTH:** 40cm, **DEPTH:** 28cm

VOLUME: 65L

WEIGHT: 3.75kg

SIZE: one size

FEATURES

- + Hidden document pocket
- + Telescoping handle
- + Diamond ripstop floor reinforcement
- + Compression straps
- + Elastic organizer straps



black/grey - 1001

SCOTT TRAVEL 40

231010

The SCOTT Travel 40 bag complies with IATA standards for cabin luggage and includes a neoprene laptop sleeve and a compartment for your electronics. It rolls for easy transportation and has a hard-molded bottom and padded sidewalls to protect its contents. With 40 liters of space it is the perfect travel companion for shorter trips or to use as an extra carry-on bag.

MATERIAL: 840D Polyester, 600D Polyester, 210D Polyester, 800D x 600D Diamond PVD, Mesh

DIMENSIONS

HEIGHT: 53cm, **WIDTH:** 34cm, **DEPTH:** 34cm

VOLUME: 40L

WEIGHT: 3.2kg

SIZE: one size

FEATURES

- + Hidden document pocket
- + Telescoping handle
- + Diamond ripstop floor reinforcement



black/grey - 1001

SCOTT LAPTOP MESSENGER

231011

The SCOTT Laptop Messenger is functional and stylish. Features include padded laptop sleeve, case for charger and electronic devices, and padded sidewalls. 20 L volume.

MATERIAL: 840D Polyester, 600D Polyester, 210D Polyester, Mesh

DIMENSIONS

HEIGHT: 47cm, **WIDTH:** 32cm, **DEPTH:** 15cm

VOLUME: 20L

WEIGHT: 1.2kg

SIZE: one size

FEATURES

- + Padded laptop sleeve
- + Main compartment with office divider
- + Case for charger and electronic devices
- + Sleeve for travel luggage handle
- + Padded quick release shoulder strap



black/grey - 1001

SCOTT WASH BAG

231012

The SCOTT Wash bag is your go to travel toiletry bag. Contains stowable hook, elastic stow compartments, and zipped compartments. 5 L volume.

MATERIAL: 840D Polyester, 600D Polyester, 210D Polyester, Mesh

DIMENSIONS

HEIGHT: 25cm, **WIDTH:** 20cm, **DEPTH:** 10cm

VOLUME: 5L

WEIGHT: 0.16kg

SIZE: one size

FEATURES

- + Stowable hook
- + Elastic stow compartments
- + Zipper compartments
- + Lining sleeve pockets



black/grey - 1001

SCOTT WALLET SMALL PAK-10

220587

The SCOTT Wallet small is a tough polyester wallet with credit card/slash pockets, bill/change compartments, and waterproof zipper. Pack of 10.

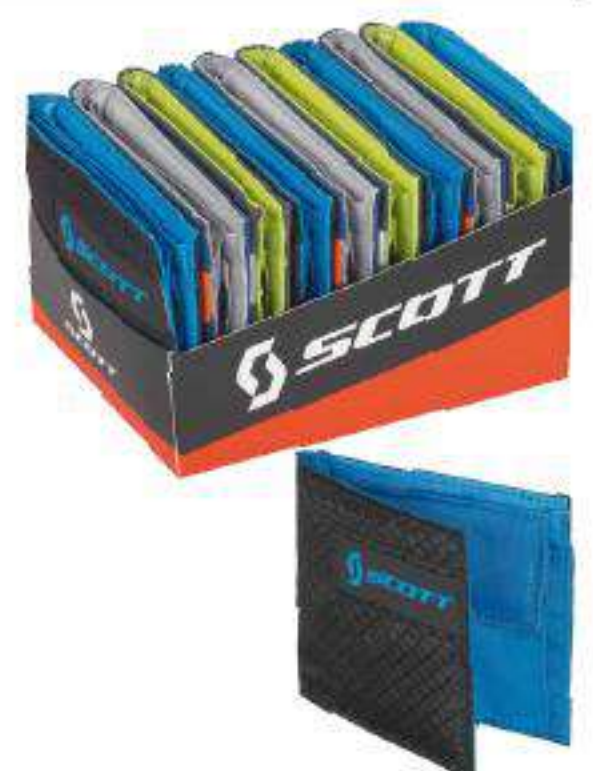
MATERIAL: 420D Honey Frame, 600D Polyester, 210D Polyester

WEIGHT: 0.5kg

SIZE: one size

FEATURES:

- + Credit card and slash pockets
- + Bill compartment
- + Coin compartment



multi color - 0167

SCOTT LEATHER WALLET CC

212812

The SCOTT Leather Wallet CC is a bi-fold wallet. Bill compartment, credit card slots, and coin pocket.

MATERIAL: Leather
WEIGHT: 0.05kg
SIZE: one size
FEATURES
+ Credit card storage



black-0001

SCOTT DOCUMENT POUCH

231016

The SCOTT Document pouch is perfect for the savvy traveler. Quick-access ticket compartment, waterproof zipper, zippered security pocket, and credit card storage.

MATERIAL: 840D Polyester, 600D Polyester, 210D Polyester, Mesh
DIMENSIONS
HEIGHT: 22.5cm, **WIDTH:** 1.5cm,
DEPTH: 12.5cm
WEIGHT: 0.08kg
SIZE: one size
FEATURES
+ Quick-access ticket compartment
+ Waterproof zipper
+ Zippered security pocket
+ Credit card storage



black/grey-1001

SCOTT CLOTH PACK SMALL

220588

A great way to keep smaller things organized in a small volume travel bag the SCOTT Cloth Small pack keeps your socks and underwear separate so you can get to them easily or use it for dirty laundry. It's always good to be organized when traveling so you can spend more time riding.

MATERIAL: 210D Polyester, Mesh
DIMENSIONS
HEIGHT: 28cm, **WIDTH:** 12cm,
DEPTH: 12cm
VOLUME: 6.5L
WEIGHT: 0.03kg
SIZE: one size



black-0001

SCOTT CLOTH PACK BIG

220589

A great way to keep bigger things organized in a big volume travel bag the SCOTT Cloth BIG pack keeps your shirts and pants separate so you can get to them easily or use it for dirty laundry. It's always good to be organized when traveling so you can spend more time riding.

MATERIAL: 210D Polyester, Mesh
DIMENSIONS
HEIGHT: 41cm, **WIDTH:** 28cm,
DEPTH: 20cm
VOLUME: 13L
WEIGHT: 0.04kg
SIZE: one size



black-0001

SCOTT RUSH BACKPACK

228025

The SCOTT Rush backpack is a multi-use, waterproof backpack to keep your valuables safe and dry. Ergonomic shoulder and sternum straps evenly distribute your load, while the hanging padded laptop compartment can accommodate computers up to 17 inches. A specially placed fixation loop on the back is designed for a tail light to keep you visible on the road.

MATERIAL: 600D Polyester, Tarpauline, 230D Polyester
DIMENSIONS
HEIGHT: 50cm, **WIDTH:** 30cm,
DEPTH: 15cm
VOLUME: 23L
WEIGHT: 1.12kg
SIZE: one size
FEATURES
+ Waterproof zippers
+ Multiple waterproof compartments
+ Lining compartments
+ Reflective print



dark grey-0091

SCOTT RUSH SHOULDER BAG

228026

The SCOTT Rush shoulder bag is a multi-use bag with waterproof fabrics and zippers as well as multiple waterproof compartments to keep the important things dry. Ergonomic shoulder straps and sternum strap for better load distribution as well as a hanging padded laptop compartment for computers up to 17 inches. Back light fixation loop and reflective print to keep you visible on the road.

MATERIAL: 600D Polyester, Tarpauline, 230D Polyester
DIMENSIONS
HEIGHT: 52cm, **WIDTH:** 30cm,
DEPTH: 12cm
VOLUME: 27L
WEIGHT: 1.15kg
SIZE: one size
FEATURES
+ Waterproof zippers
+ Multiple waterproof compartments
+ Lining compartments
+ Reflective print



dark grey-0091

SCOTT URBAN 22 BACKPACK

231023

The SCOTT Urban 22 backpack is the perfect city warrior that helps you to fight through your daily life. The lateral entrance padded laptop compartment reduces the chance of a damage to your laptop. Several inside and outside compartments offer enough organised space for your books, smartphones, waterbottles, keys, pens etc.

MATERIAL: 840 Polyester, 600D Polyester, 210D Polyester

DIMENSIONS

HEIGHT: 52cm, **WIDTH:** 30cm,
DEPTH: 14cm

VOLUME: 22L

WEIGHT: 0.66kg

SIZE: one size

FEATURES

- + Two front zip pocket for personal items
- + Lateral mesh pocket
- + Adjustable chest strap
- + Hip belt strap
- + Padded back



black/grey - 1001



blue/black - 1034

SCOTT SUB 24 BACKPACK

231025

The SCOTT Sub 24 backpack is the perfect companion for bringing your belongings with you. It's comfortable and includes a laptop and MP3 pocket with cable port. Also, the external straps are great for attaching your skateboard or jacket.

MATERIAL: 300Dx600D Moss Crepe Polyester, 210D Polyester

DIMENSIONS

HEIGHT: 48cm, **WIDTH:** 30cm,
DEPTH: 11cm

VOLUME: 24L

WEIGHT: 0.54kg

SIZE: one size

FEATURES

- + Padded back
- + External front and side pockets
- + Mesh side pockets
- + External mesh side pockets



black/grey - 1001

SCOTT SUB 18 BACKPACK

231027

The SCOTT Sub 18 backpack is the perfect companion for bringing your belongings with you. It's comfortable and includes a front pocket. Also, the external straps are great for attaching your skateboard or jacket.

MATERIAL: TC fabric TPE backing, 210D Polyester

DIMENSIONS

HEIGHT: 45cm, **WIDTH:** 29cm,
DEPTH: 14cm

VOLUME: 18L

WEIGHT: 0.42kg

SIZE: one size

FEATURES

- + Padded back
- + Zippered front pockets
- + Mesh pockets



black/black



SCOTT
FACTORY
TEAM

SCOTT FACTORY TEAM S/SL T-SHIRT

234681

Show off your team pride with this short sleeve shirt. The ventilation on the arms makes sure you stay cool, even in the heat of the moment.

MATERIAL: 100% polyester
FIT: Regular
SIZE: S-XXL
FEATURES
 + Front and back dotted/rubber logo prints
 + Arm ventilation



black/lime green - 2897

SCOTT FACTORY TEAM S/SL POLO

234684

The SCOTT branded buttons and rivet make this piece a great looking polo and perfect for the work in the garage.

MATERIAL: 100% polyester
FIT: Regular
SIZE: S-XXL
FEATURES
 + SCOTT branded buttons and rivet in center front
 + Front and back dotted/rubber logo prints
 + Contrast style details
 + Arm ventilation



black/lime green - 2897

SCOTT CO FACTORY TEAM S/SL T-SHIRT

234682

When you slip on this ITD branded t-shirt, there will for sure be no mistake which team you belong to.

MATERIAL: 100% cotton
FIT: Regular
SIZE: S-XXL
FEATURES
 + Front and back dotted/rubber logo prints
 + Contrast webbing inside collar



black/lime green - 2897



dark grey/lime



lime green/black

SCOTT FACTORY TEAM S/SL BUTTON SHIRT

234685

Abrasion resistant, anti-odor and antimicrobial properties paired with a clean styling - this shirt has everything you are looking for!

MATERIAL: 95% polyamide 5% elasthane
FIT: Regular
SIZE: S-XXL
FEATURES
 + SCOTT branded buttons in center front
 + Front and back dotted/rubber logo prints
 + Contrast style details
 + 2 chest pockets, 1 hand pocket, and 1 zip pocket
 + Arm ventilation



black/lime green - 2897

SCOTT FACTORY TEAM L/SL T-SHIRT

234683

This long sleeve t-shirt is the perfect choice for craftman work in chilly conditions. Even when it heats up, the arm ventilation makes sure you don't sweat too much.

MATERIAL: 100% polyester
FIT: Regular
SIZE: S-XXL
FEATURES
 + Front and back dotted/rubber logo prints
 + Arm ventilation



black/lime green - 2897

SCOTT FACTORY TEAM S/SL ZIP SHIRT

234686

This shirt meets the demands of professional race mechanics with it's center front zip which allows you to perfectly control your body temperature according to your physical efforts.

MATERIAL: 95% polyamide 5% elasthane
FIT: Regular
SIZE: S-XXL
FEATURES
 + Full zip in center front
 + Front and back dotted/rubber logo prints
 + Contrast style details
 + 2 chest pockets, 1 hand pocket, and 1 zip pocket
 + Arm ventilation
 + Front featured pockets, 1 with zip closure



black/lime green - 2897

SCOTT FACTORY TEAM L/SL HOODY

234687

This Hoody with a full zip is super comfortable and can easily become your new favorite piece, whether it be for working or having a beer afterwards.

- MATERIAL:** 95% polyamide 5% elasthane
FIT: Regular
SIZES: S-XXL
FEATURES
 + Full zip
 + Front and back dotted/rubber logo prints
 + Contrast drawcord
 + Laser cut and glued eyelets for hood drawcords
 + 2 side hand zip pockets with glued decorative tape



black/lime green - 2897

SCOTT FACTORY TEAM LIGHT PANTS

234690

Do you need a little extra protection? Grab the Factory Team Light Pant with the same convictive features like the Factory Team Light Short but with long legs to keep you protected from the sun as well as oil and grease.

- MATERIAL:** 95% polyamide 5% elasthane
FIT: Regular
SIZE: S-XXL
FEATURES
 + Contrast style details
 + Dotted/rubber logo prints
 + Pre-shaped knee panel construction
 + SCOTT branded rivet and button
 + 2 hand pockets
 + 2 side pockets, 1 with velcro closure, 1 with zip closure
 + 2 hand pockets at the back



black/lime green - 2897



SCOTT FACTORY TEAM LIGHT SHORTS

234688

These fast drying shorts with 4-way stretch guarantee a perfect fit without weighing you down. They are just perfect to wear for mechanical work on hot summer days.

- MATERIAL:** 95% polyamide 5% elasthane
FIT: Regular
SIZE: S-XXL
FEATURES
 + Contrast style details
 + Dotted/rubber logo prints
 + Zip fly
 + SCOTT branded rivet and button
 + 2 hand pockets
 + 2 side pockets, 1 with velcro closure, 1 with zip closure
 + 2 hand pockets at the back



black/lime green - 2897



SCOTT FACTORY TEAM SUPPORT PANTS

234691

Step up your game with the Factory Team Support Pant. The pre-shaped knee panel construction provides a great fit and with the various pockes to stow your tools, you will be well-equipped even for the unexpected!

- MATERIAL:** 95% polyamide 5% elasthane
FIT: Regular
SIZE: S-XXL
FEATURES
 + Contrast style details
 + Dotted/rubber logo prints
 + Pre-shaped knee panel construction
 + Elastic insert at back yoke
 + Durable and abrasive resistant fabric at knee area
 + 2 hand pockets
 + 2 side pockets, 1 with velcro closure, 1 with zip closure
 + 2 hand pockets at the back
 + Decorative technical print at bottom hem on the back



black/lime green - 2897



SCOTT FACTORY TEAM SUPPORT SHORTS

234689

Durable fabric paired with functional features - this makes up the SCOTT Factory Team Support Shorts. The various pockes provide a lot of stowage for your tools to ensure you will always have the most important things with you.

- MATERIAL:** 95% polyamide 5% elasthane
FIT: Regular
SIZE: S-XXL
FEATURES
 + Contrast style details
 + Dotted/rubber logo prints
 + Zip fly
 + SCOTT branded rivet and button
 + Elastic insert at back yoke
 + 2 hand pockets
 + 2 side pockets, 1 with velcro closure, 1 with zip closure
 + 2 hand pockets at the back
 + Decorative technical print at bottom hem on the back



black/lime green - 2897



SCOTT FACTORY TEAM SOFTSHELL PANTS

234692

New to the Factory Team Collection this softshell pant keeps the weather out and the warmth inside. Thanks to the windproof and waterrepellent properties, this pant keeps you warm and dry in muddy conditions.

- MATERIAL:** SHELL: 85% polyester, 15% polyurethane. **FINISHING:** Water repellent/ 3 layer fabric
FIT: Regular
SIZE: S-XXL
FEATURES
 + Contrast style details
 + Dotted/rubber logo prints
 + Pre-shaped knee panel construction
 + 2 hand pockets
 + 2 side zip pockets
 + Decorative technical print at bottom hem on the back



black/lime green - 2897



SCOTT FACTORY TEAM SOFTSHELL JACKET

234693

Complete your softshell pants by this new windproof and water repellent softshell jacket. Be prepared for changing and adverse weather conditions.

MATERIAL: SHELL: 85% polyester, 15% polyurethane, **FINISHING:** Water repellent/ 3-layer fabric

FIT: Regular

SIZE: S-XXL

FEATURES

- + Full zip
- + Front and back dotted/rubber logo prints
- + 2 side hand zip pockets
- + 1 zip chest pocket with a glued decorative tape around
- + Decorative technical print on shoulders
- + Elastic binding on sleeves and at bottom hem to keep the jacket in place.



black/lime green - 2897



SCOTT FACTORY TEAM SOFTSHELL VEST

234694

Do you need a little extra warmth for your torso? You can easily layer up or down with this new windproof and water repellent softshell vest but still show off your team pride.

MATERIAL: SHELL: 85% polyester, 15% polyurethane, **FINISHING:** Water repellent/ 3 layer fabric

FIT: Regular

SIZE: S-XXL

FEATURES

- + Full zip
- + Front and back dotted/rubber logo prints
- + 2 side hand zip pockets
- + 1 zip chest pocket with a glued decorative tape around
- + Decorative technical print on shoulders
- + Elastic binding on sleeves and at bottom hem to keep the vest in place.



black/lime green - 2897



SCOTT FACTORY TEAM JACKET

234695

The Factory Team Jacket keeps the wind outside and repels water in stormy conditions. There is no reason to lose concentration, you can stay focused on your work no matter how freaky the weather is.

MATERIAL: SHELL: 100% polyamide, **FINISHING:** Water repellent

FIT: Regular

SIZE: S-XXL

FEATURES

- + Full zip
- + Front and back dotted/rubber logo prints
- + Contrast drawcords and bartacks
- + Adjustable hood
- + 2 chest pockets, 1 with a glued decorative tape around
- + Side pockets, 1 with velcro closure, 1 with zip closure
- + Velcro cuff tabs
- + Adjustable bottom hem



black/lime green - 2897



SCOTT FACTORY TEAM CAP

234696

Complete your outfit with the matching Factory Team cap and everyone will see which team you're cheering for.

MATERIAL: SHELL: 100% cotton, canvas, **LINING:** 100% cotton, poplin

FIT: Regular

SIZE: S-XXL

FEATURES

- + Baseball cap style
- + Pre-shaped visor
- + Adjustable head size



black/lime green - 2897





SCOTT
CASUAL
APPAREL

—

SCOTT 10 PROMO S/SL TEE

238905

SHELL FABRIC: Single Jersey 170g/m²
MATERIAL: 100% Cotton. **HEATHER GREY:** 60% Cotton, 40% Polyester
FIT: Regular
SIZES: S-XXL



white



heather grey

SCOTT 25 PROMO S/SL TEE

238969

SHELL FABRIC: Single Jersey 170g/m²
MATERIAL: 100% Cotton
FIT: Regular
SIZES: S-XXL



classic green



tangerine orange

SCOTT 15 PROMO S/SL TEE

238906

SHELL FABRIC: Single Jersey 170g/m²
MATERIAL: 100% Cotton
FIT: Regular
SIZES: S-XXL



black



mykonos blue



tangerine orange

SCOTT 20 PROMO S/SL TEE

238907

SHELL FABRIC: Single Jersey 170g/m²
MATERIAL: 100% Cotton, **HEATHER GREY:** 60% Cotton, 40% Polyester
FIT: Regular
SIZES: S-XXL



black



diva blue



mykonos blue



white



red



heather grey



classic green

SCOTT 10 CASUAL S/SL TEE

238908

SHELL FABRIC: Single Jersey 170g/m²
MATERIAL: 100% Cotton. **HEATHER GREY:** 60% Cotton, 40% Polyester
FIT: Regular
SIZES: S-XXL



heather grey



blue nights

SCOTT 30 CASUAL S/SL TEE

238912

SHELL FABRIC: Single Jersey 170g/m²
MATERIAL: 100% Cotton
FIT: Regular
SIZES: S-XXL



blue nights/heather grey

SCOTT 20 VINTAGE S/SL TEE

238915

SHELL FABRIC: Single Jersey 170g/m²
 MATERIAL: 100% Cotton
 FIT: Regular
 SIZES: S-XXL



classic green



red

SCOTT 25 VINTAGE S/SL TEE

238916

SHELL FABRIC: Single Jersey 170g/m²
 MATERIAL: 100% Cotton
 FIT: Regular
 SIZES: S-XXL



diva blue



tender green

SCOTT 30 VINTAGE S/SL TEE

238917

SHELL FABRIC: Single Jersey 170g/m²
 MATERIAL: 100% Cotton, HEATHER GREY: 60% Cotton, 40% Polyester
 FIT: Regular
 SIZES: S-XXL



heather grey



white



mykonos blue

SCOTT SYNCROS RETRO TEE

229920

SHELL FABRIC: Single Jersey 170g/m²
 MATERIAL: 60% Cotton, 40% Polyester
 FIT: Regular
 SIZES: S-XXL



dark heather grey

SCOTT GAMBLER 10 3/4 S/SL TEE

238179

SHELL FABRIC: Single Jersey 170g/m²
 MATERIAL: 60% Cotton, 40% Polyester
 FIT: Oversized
 SIZES: S-XXL

O V E R S I Z E D



heather grey/black

SCOTT DEEP TRAIL 25 S/SL POLO

235813

SHELL FABRIC: Pique 220g/m²
 MATERIAL: 60% Cotton, 40% Polyester
 FIT: Regular
 SIZES: S-XXL



blue melange



heather grey melange



orange melange



lime green melange

SCOTT 10 CASUAL L/SL HOODY

238919

SHELL FABRIC: Fleece 280g/m²
MATERIAL: 100% Cotton, HEATHER GREY: 60% Cotton, 40% Polyester
FIT: Regular
SIZES: S-XXL



heather grey



blue nights



diva blue

SCOTT 15 VINTAGE L/SL HOODY

238920

SHELL FABRIC: Fleece 280g/m²
MATERIAL: 100% Cotton, HEATHER GREY: 60% Cotton, 40% Polyester
FIT: Regular
SIZES: S-XXL



heather grey



blue nights



tangerine orange

SCOTT PEACH LAKE 5 HOODY

235826

SHELL FABRIC: Fleece 280g/m²
MATERIAL: 100% Cotton
FIT: Regular
SIZES: S-XXL



orange

SCOTT PEACH LAKE 10 HOODY

235827

SHELL FABRIC: Fleece 280g/m²
MATERIAL: 100% Cotton, HEATHER GREY: 60% Cotton, 40% Polyester
FIT: Regular
SIZES: S-XXL



blue



heather grey melange

SCOTT CARGO CLASSIC SHORTS

223559

MATERIAL: 100% Cotton
FIT: Regular
SIZES: S-XXL



beige

SCOTT PEACH LAKE 5 SHORTS

235841

MATERIAL: 100% Cotton
FIT: Regular
SIZES: S-XXL



beige

**SCOTT 10 PROMO S/SL
WOMEN'S TEE**

238921

SHELL FABRIC: Single Jersey 145g/m²
MATERIAL: 100% Cotton
FIT: Regular
SIZES: XS-XL



blue atoll



berry purple



hibiscus red

**SCOTT 15 PROMO S/SL
WOMEN'S TEE**

238922

SHELL FABRIC: Single Jersey 145g/m²
MATERIAL: 100% Cotton, HEATHER GREY: 60% Cotton, 40% Polyester
FIT: Regular
SIZES: XS-XL



ocean blue



bright pink



white



heather grey



blue atoll



black

**SCOTT 15 CASUAL S/SL
WOMEN'S TEE**

238924

SHELL FABRIC: Single Jersey 145g/m²
MATERIAL: 100% Cotton, HEATHER GREY: 60% Cotton, 40% Polyester
FIT: Regular
SIZES: XS-XL



white



heather grey



bright pink

**SCOTT PEACH LAKE 5 S/SL
WOMEN'S TEE**

235845

SHELL FABRIC: Single Jersey 145g/m²
MATERIAL: 60% Cotton, 40% Polyester
FIT: Regular
SIZES: XS-XL



light heather grey

**SCOTT 15 VINTAGE S/SL
WOMEN'S TEE**

238927

SHELL FABRIC: Single Jersey 145g/m²
MATERIAL: 100% Cotton
FIT: Regular
SIZES: XS-XL



blue nights



ocean blue



hibiscus red

**SCOTT 20 VINTAGE S/SL
WOMEN'S TEE**

238928

SHELL FABRIC: Single Jersey 145g/m²
MATERIAL: 100% Cotton, HEATHER GREY: 60% Cotton, 40% Polyester
FIT: Regular
SIZES: XS-XL



heather grey



blue atoll



classic green

**SCOTT 10 VINTAGE L/SL
WOMEN'S HOODY**

238930

SHELL FABRIC: Fleece 280g/m²
MATERIAL: 100% Cotton
FIT: Regular
SIZES: XS-XL



bright pink



white



diva blue

**SCOTT PEACH LAKE 5
WOMEN'S HOODY**

235859

SHELL FABRIC: Fleece 280g/m²
MATERIAL: 60% Cotton, 40% Polyester
FIT: Regular
SIZES: XS-XL



light heather grey

**SCOTT BEAR LAKE 15
WOMEN'S HOODY**

235863

SHELL FABRIC: Fleece 280g/m²
MATERIAL: 100% Cotton
FIT: Regular
SIZES: XS-XL



lime yellow

▼ CAPS

**SCOTT FITTED 210
CAP**

238136

MATERIAL: 98% Cotton, 2% Polyester
SIZES: S/M, L/XL



blue/white - 1006



grey/orange - 1294

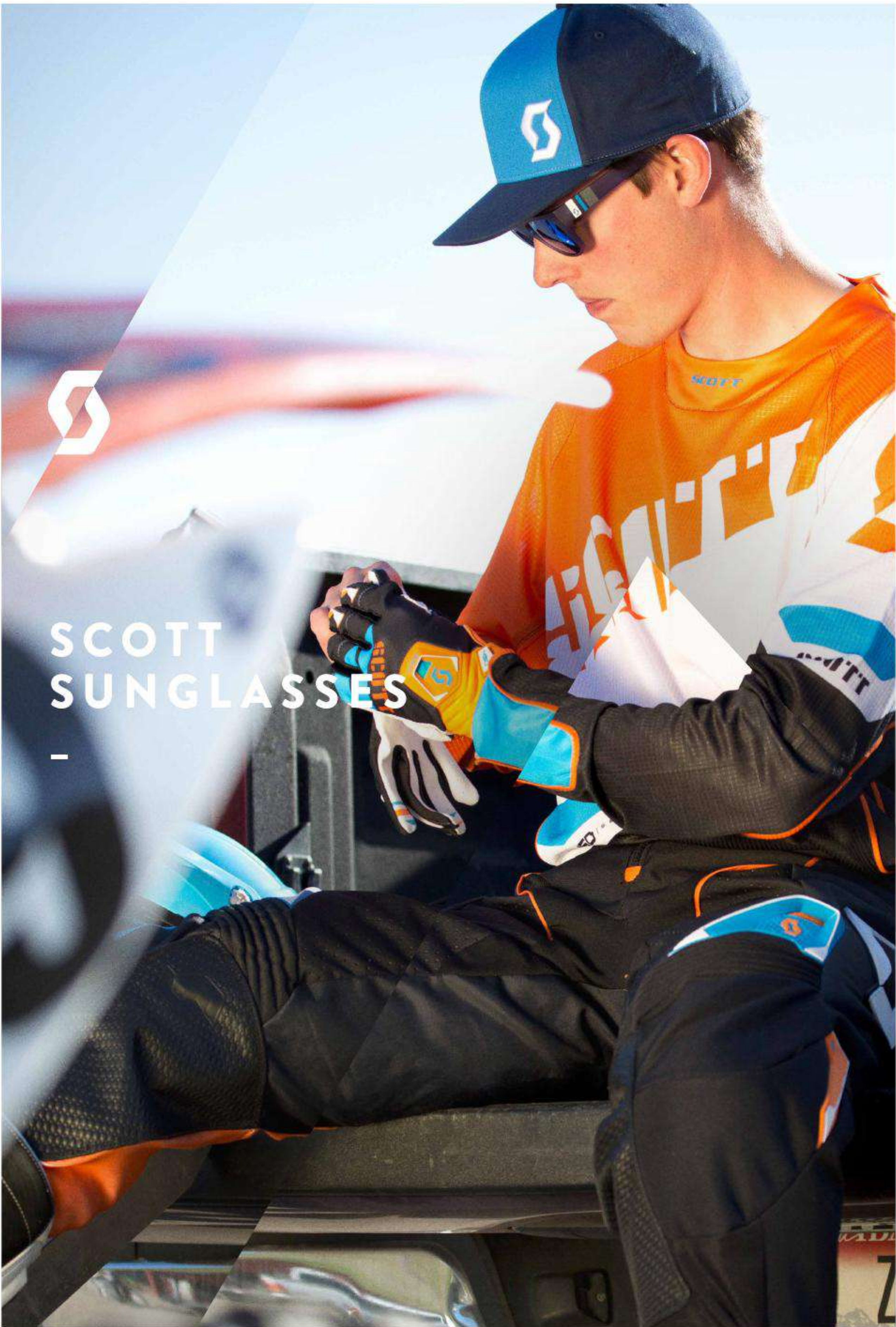
**SCOTT SNAPBACK 10
CAP**

238137

MATERIAL:
TWILL: 100% Cotton,
MESH: 100% Polyester
SIZES: one size



black/white - 1007



SCOTT
SUNGLASSES

SCOTT C-NOTE SUNGLASSES

239321

Introducing the SCOTT C-Note sunglasses. Blending classic and cool elements together, SCOTT athletes and designers sat down to develop a pair of lifestyle shades that will fit any occasion. Multiple lens options, as well as stunning brushed metal inserts make the C-Note an item to always have ready for when the sun is shining.

FIT: For small to medium faces

FRAME TECHNOLOGIES:
+ SCOTT Thermal Frame
+ Brushed metal inserts

LENS TECHNOLOGIES:

+ SCOTT Precision Optics lens quality
+ Base 6
+ 100% UV protection

EXTRAS: Synthetic leather case with cleaning cloth



black matt
green-chrome



black matt
red-chrome



black matt
gold-chrome



black matt
grey



tortoise brown matt
brown

SCOTT LYRIC SUNGLASSES

220610

The SCOTT Lyric sunglasses is an exciting mix of vintage style and modern party time.

FIT: For small to medium faces

FRAME TECHNOLOGIES:
+ SCOTT Thermal Frame

LENS TECHNOLOGIES:

+ SCOTT Precision Optics lens quality
+ Base 6
+ 100% UV protection

EXTRAS: Microfiber bag



orange matt/black
red-chrome



black/green
green-chrome



green matt/blue
green-chrome



blue
blue-chrome



black soft touch
grey

SCOTT OCTAVE WOMEN'S SUNGLASSES

220609

The SCOTT Octave sunglasses has charisma and style. With its oversized silhouette, elegant details, and first class materials, this unique piece will give women what they want.

FIT: Optimized for feminine faces

FRAME TECHNOLOGIES:
+ SCOTT Thermal Frame

LENS TECHNOLOGIES:

+ SCOTT Precision Optics lens quality
+ Base 8
+ 100% UV protection

EXTRAS: Microfiber bag



black/purple
grey gradient



black/purple
grey gradient



brown matt
brown gradient



black/cense pink
rose gradient



white/green
grey gradient

SCOTT OBSESS ACS SUNGLASSES

235512

The SCOTT Obsess ACS sunglasses is your best bet with superlative protection, secure grip, and a sharp look.



blue matt/green red chrome

FIT: For medium to large faces

FRAME TECHNOLOGIES:

- + SCOTT Fusion Frame
- + No-slip soft nose pads
- + Textured temple pads

LENS TECHNOLOGIES:

- + SCOTT Precision Optics lens quality
- + Impact protection
- + Base 8
- + ACS Air Control System
- + 100% UV protection

EXTRAS: Thermoformed sport case with microfiber bag



black glossy/green green chrome



white glossy/orange red chrome



white matt grey



black matt grey



green matt grey



black matt grey light sensitive

SCOTT LEAP FULL FRAME SUNGLASSES

235513

The heritage continues with the SCOTT Leap Full Frame, a milestone in performance eyewear. SCOTT Leap Full Frame sunglasses adopt the highest quality of materials to provide the perfect combination of fit, comfort and performance.



black glossy red chrome

FIT: For small to medium faces

FRAME TECHNOLOGIES:

- + SCOTT Fusion Frame
- + No-slip soft nose pads
- + No-slip and flexible temple ends

LENS TECHNOLOGIES:

- + SCOTT Precision Optics lens quality
- + Impact protection
- + Base 7
- + ACS Air Control System
- + 100% UV protection

EXTRAS: Thermoformed sport case with microfiber bag



green glossy/white green chrome



white matt/blue blue chrome



black glossy clear



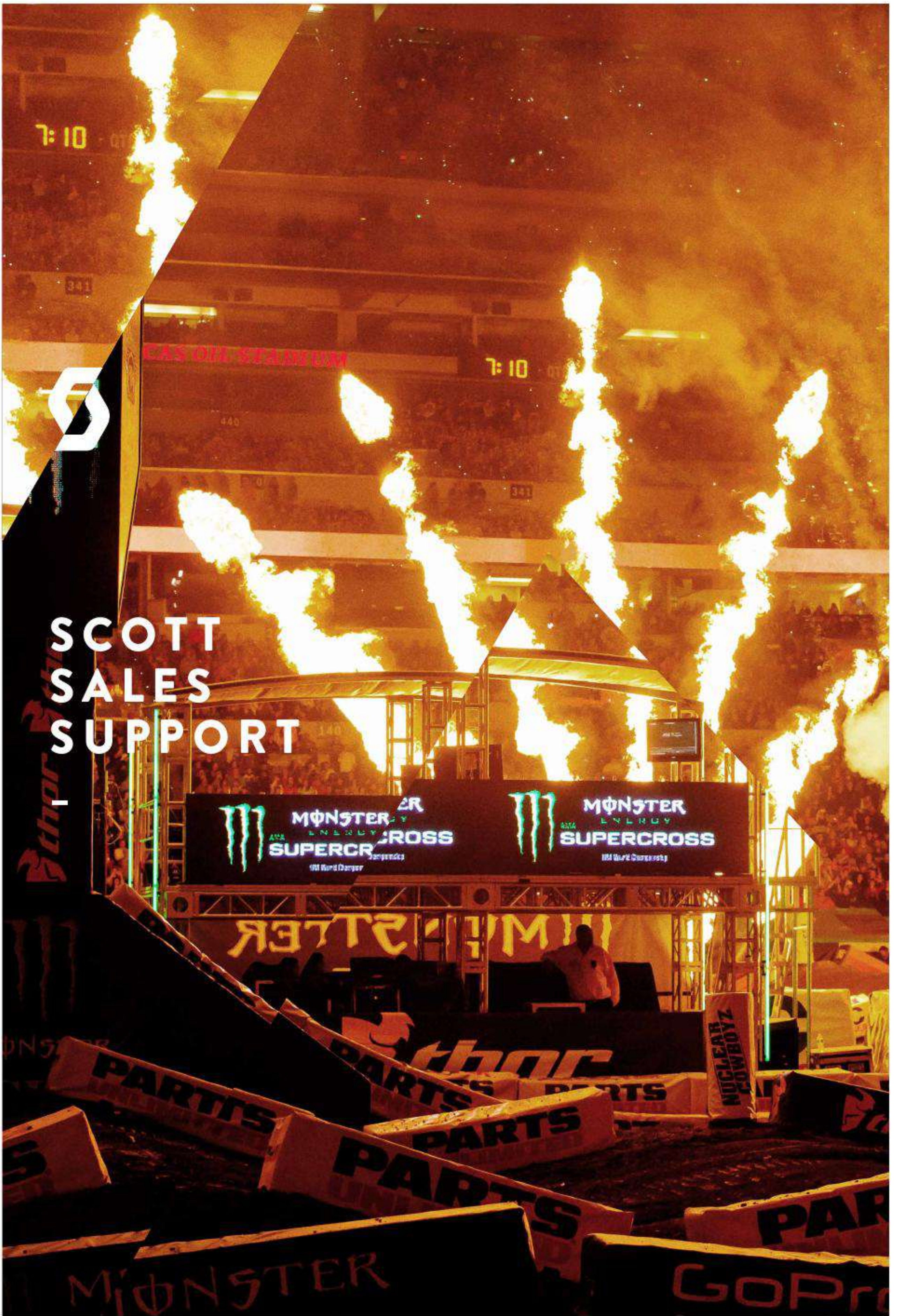
black glossy light amplifier rose



white glossy light amplifier rose



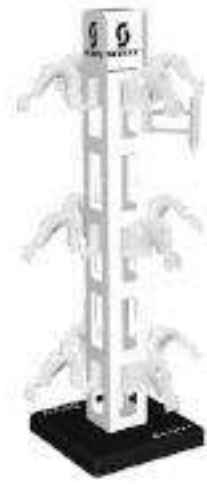
black glossy grey light sensitive



SCOTT SALES SUPPORT

HELMET DISPLAY

- + Helmet Display Base 228048
- + Helmet Display Tower 228049
- + Helmet shelf to Slat Wall PAK-3 224575
- + For 12 helmets



OPTICAL SHOWCASE

209190

+ 40 x 185 x 55 cm



WIRE FOR SUNGLASSES

223750

+ PAK-3



GOGGLE HOLDER

217835

+ PAK-2



BIKE TAGS

213427

+ PAK-10



POLE FOR IMAGE BANNER

217832



SOCKS FORM

217515

+ PAK-5



NECK BRACE FLOOR DISPLAY

224023



NECK BRACE COUNTER DISPLAY

224024



**WALL FRAME
FREESTANDING
LARGE**

216851

+ 1242.5 x 2400 mm



**WALL FRAME
FREESTANDING
SMALL**

216852

+ 617.5 x 2400 mm



**WALL FRAME
LARGE**

216863

+ 1242.5 x 2400 mm



**WALL FRAME
SMALL**

216864

+ 617.5 x 2400 mm



**SLAT WALL FOR
WALL FRAMES
LARGE**

224431

+ PAK-3 / 1242.5 x 515 mm



**SLAT WALL FOR
WALL FRAMES
SMALL**

224430

+ PAK-3 / 617.5 x 515 mm



**GONDOLA
BRANDING**

216865

+ 160 x 153 x 63 cm



**ACCESSORIES
FRAME SMALL**

219636

+ 617.5 x 1750 mm



**SIDE HANGING
FRAME**

216041
216052

+ 1242.5 x 400 mm
+ 617.5 x 400 mm



**OVAL BACK
BAR**

216043
216042

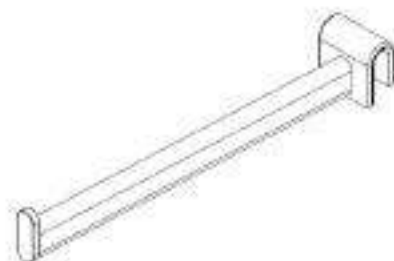
+ 1242.5 x 60 mm
+ 617.5 x 60 mm



**FRONT ARM
STRAIGHT**

208863

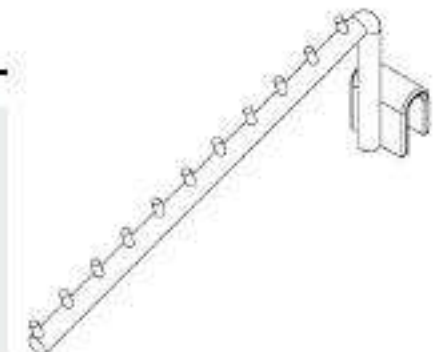
+ 30 cm



**FRONT ARM
SLOPING**

216045

+ 30 cm



**HOOK
STRAIGHT**

208867

+ 20 cm



**GLOVE
PRESENTATION
HOOKS**

208873

+ PAK-3



**MOTO HELMET
SHELF TO SLAT
WALL AND SHOP
IN SHOP**

224575

+ PAK-3



**GLASS SHELF
SATINICE**

216049

216048

+ 1234 x 350 x 8 mm
+ 609 x 350 x 8 mm



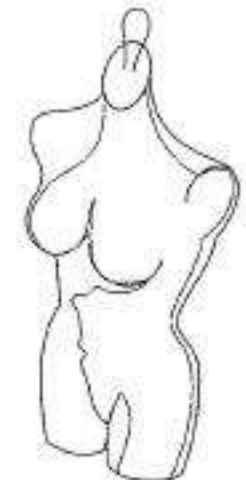
**MALE BUST WITH
LOOP**

216053



**FEMALE BUST
WITH LOOP**

216054

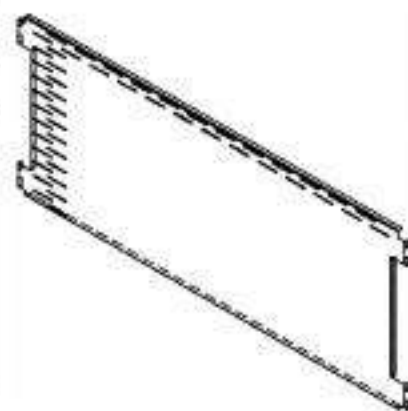


**METAL PLATE
PERFORATED**

214757

208885

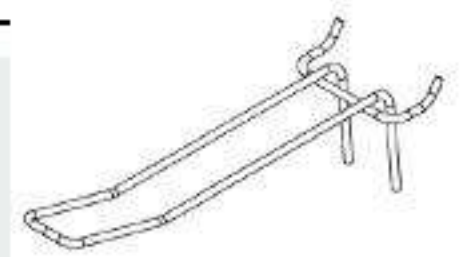
+ 1240,5 x 500 x 15 mm
+ 617 x 500 x 15 mm



**HOOKS TO
METAL PLATE**

208887

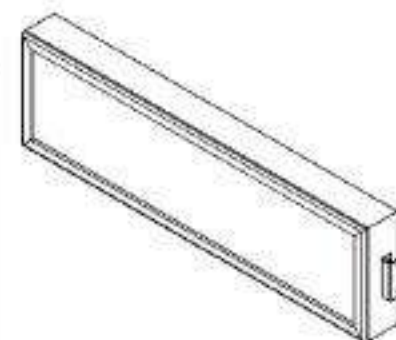
+ PAK-10



**LIGHT BOX
BIG**

209218

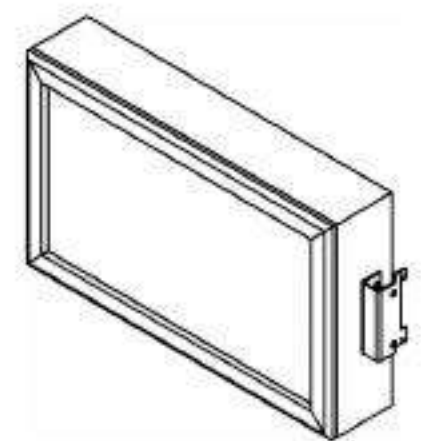
+ 1242,5 x 340 mm



**LIGHT BOX
SMALL**

209219

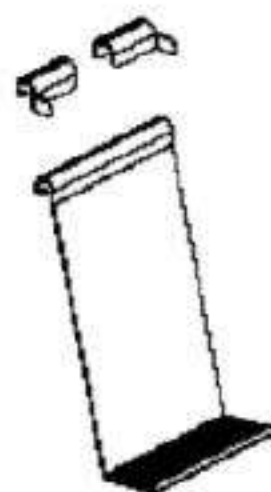
+ 617,5 x 340 mm



SKIHOLDER-SET

208875

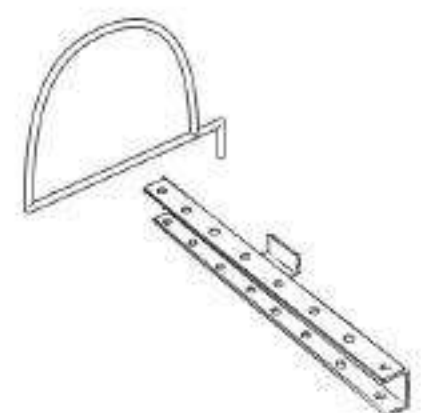
+ For one Ski (no pair)



**BEANIES
PRESENTER**

211602

+ PAK-2 /for 16 Beanies



SCOTT SHOP IN SHOP COMPONENTS



OUR NEW "SHOP IN SHOP" DISPLAYS ARE BASED ON A SLAT WALL SYSTEM. THE SYSTEM IS EASY TO ASSEMBLE, AND PROVIDES THE POSSIBILITY TO COMBINE THE DIFFERENT ELEMENTS IN SUCH A WAY THAT WORKS BEST FOR THE INDIVIDUAL SHOP WITH REGARDS TO LAYOUT.

START/END SECTION 236191

+ w / d / h : 270 / 450 / 2425



SLATWALL SECTION INCL. LED LIGHT 237238

+ w / d / h : 1000 / 450 / 2425



STORAGE BOX 236193

+ w / d / h : 1000 / 375 / 415



CABINET INCL. LED LIGHT 236194

+ w / d / h : 800 / 450 / 2425



OPEN CORNER 236195

+ w / d / h : 500 / 500 / 2425



FLOOR DISPLAY 236196

+ w / d / h : 750 / 300 / 1525



FLOOR GONDOLA (WHEELS) 236197

+ w / d / h : 1800 / 700 / 1550



BIKE HIGHLIGHT DISPLAY 236198

+ w / d / h : 2360 / 630 / 900



SIDE HANGING FRAME TO SW SMALL 236199

+ 480 mm



SIDE HANGING FRAME TO SW BIG 236200

+ 960 mm



MOTO HELMET SHELF TO SLAT WALL AND SHOP IN SHOP 224575

+ PAK-3



SHELF TO SLATWALL 217831

+ PAK-5



ACCESSORIES HANGER TO SLAT WALL 219752

+ 450 mm



ACCESSORIES HOLDER TO SLAT WALL 219753

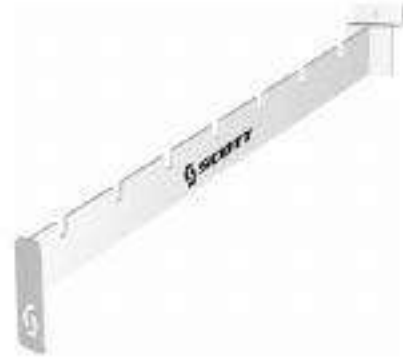
+ 350 mm



**FRONT ARM
SLOPING TO
SLAT WALL**

219754

+ 300 mm



**FRONT ARM
STRAIGHT TO
SLAT WALL**

219755

+ 300 mm



**HOOK
STRAIGHT**

219756

+ PAK-10 / 20 cm



**MIRROR TO SLAT
WALL**

219757

+ 200 x 130 mm



**GOGGLE HOLDER
TO SLAT WALL**

219758

+ PAK-3



**GLOVE
PRESENTATION
HOOKS**

208873

+ PAK-3



**LOGO
SIGN**

219759

219760

+ 90 cm
+ 46 cm



**SILENT
SELLER**

219761

219762

+ A5 / PAK-3
+ A4 / PAK-3



**GLASS HOLDER
FOR SLAT WALL**

223751

+ PAK-2



**TEST CENTER
BEACH FLAG** 236201

+ 440 x 85 cm



**D3O DEMO
KIT** 231442



**RAIN
PONCHO** 227464

+ PAK-50 / transparent



**CLOTHING
BAG** 227150



CLAPSTICKS 230092

+ PAK-200



HANGER JACKET 203660

+ PAK-5



**HANGER
SHIRT** 203661

+ PAK-5



**HANGER
PANT** 203662

+ PAK-5



**SHOE TREE
MEN** 231995

+ PAK-2



**SHOE TREE
WOMEN** 231996

+ PAK-2



**AIR
POLYBAG** 225151
225152

+ PAK-5 / small / 24 x 40 cm
+ PAK-5 / big / 35 x 50 cm



**USB
STICK** 214385

+ PAK-10 / 2 GB



**NECK
STRAP** 208342

+ PAK-100



**PRESS BOOK
FOLDER** 219607

+ PAK-25



PEN 213422

+ PAK-50



DOORMAT 208655

+ 60 x 90 cm



CARPET 210301

+ 200 x 300 cm / black



PURSE ZIP 217647

+ PAK-50



SHOPPING BAG 217648

+ PAK-50



PLASTIC BAG 208656

+ PAK-250 (small)
+ PAK-250 (big)



SKI STRAP 209154

+ PAK-10



MARKING TAPE 206595

+ 500 m / roll black/white



STICKER HORIZONTAL 217634

+ PAK-100 black 12 cm
+ PAK-100 black 25 cm
+ PAK-100 white 12 cm
+ PAK-100 white 25 cm



STICKER HORIZONTAL DIE-CUT 217635

+ Die-cut PAK-100 black 15 cm
+ Die-cut PAK-100 black 30 cm
+ Die-cut PAK-100 black 45 cm
+ Die-cut PAK-100 white 15 cm
+ Die-cut PAK-100 white 30 cm
+ Die-cut PAK-100 white 45 cm



STICKER HORIZONTAL DIE-CUT 220923

+ Die-cut PAK-50 black 68 cm
+ Die-cut PAK-50 white 68 cm



STICKER VERTICAL 217636

+ Vertical PAK-100 black 5 cm
+ Vertical PAK-100 black 12 cm
+ Vertical PAK-100 white 5 cm
+ Vertical PAK-100 white 12 cm



STICKER VERTICAL DIE-CUT 217637

+ Vertical die-cut PAK-100 black 40 cm
+ Vertical die-cut PAK-100 white 40 cm



PARASOL

208223

+ 200 cm



PROMOTION TENT ECO 3X3M

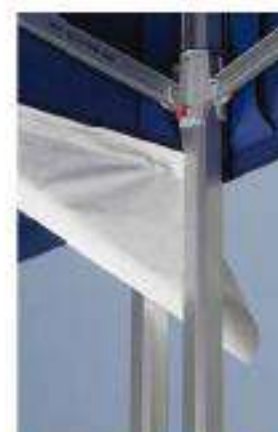
230609

+ Frame and cover / 3 x 3 m / black



PROMOTION TENT ECO

+ Promotion Tent ECO - Sidewall 3m 237649
+ Promotion Tent ECO - 1/2 wall complete 237650
+ Promotion Tent ECO - Gutter 237653
+ Promotion Tent ECO - Sandbag 237654
+ Promotion Tent ECO - Clamp 237655



UMBRELLA

210300

+ PAK-2



PROMOTION TENT 3X6M

+ 3x6m complete 210293
+ Tent Frames 3x6m 210294
+ Tentroof 3x6m 210295





2016 SNOWMOBILE COLLECTION HIGHLIGHTS

—
NO SHORTCUTS



[View other motorcycle riding gear made by Scott on our website.](#)