



**RACING**

& PERFORMANCE ACCESSORIES



**sparco**<sup>®</sup>





sparco







# SPORT SEATS



## The fastest cars in the world are equipped with Sparco seats

- Over 30 years racing experiences and cooperation with most important world supercar producers allowed Sparco to develop the biggest range of sport seat for everyday cars.

The ergonomic shape and the high containment of Sparco seats allows a reduced effort against lateral forces this generating higher "fast driving comfort" and the most accurate sensitivity during driving

Sparco sport seats are widely adopted by most prestigious supercar producers such as **Bugatti, Koenigsegg, Lamborghini, Ferrari, Bentley, Maserati, Audi, Lotus etc..**

Sparco sport seat range has received the widest press recognition and generated a lot of imitations. The Sparco seats and products are recognisable in many films (Fast and Furious, Driven etc.)

# R600

**NEW**



LEATHER

- Tubular steel frame
- New micro seat back regulation, similar to top supercars
- Ergonomic and comfortable cushions
- High resistance Jacquard Fabric
- Leather upholstery with impressed Sparco logo
- Alcantara upholstery
- Quick tilting lever
- Lower fixing 271x345
- Compatible with 3 and 4 points safety harnesses

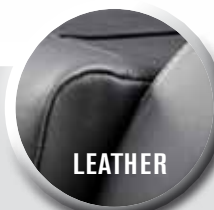


00968NRRS

R600 J



00968NRNR



LEATHER

00968PNR

R600 L



ALCANTARA

00968ANR

R600 A



# R333

sparco

- Tubular frame;
- Double adjustment and reclining lever;
- Bottom fixing (271 x 345);
- Compatible with 3 or 4 fixing point harnesses;



00965NR



00965NRGR



00965NRGRS

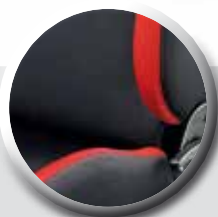
# R100



- Tubular frame;
- Double adjustment and reclining lever;
- Bottom fixing (271 x 345);
- Compatible with 3 or 4 fixing point harnesses;



## R100 SKY



00961NRRS



00961NRGR



00961NRAZ



00961NRNR



Designed for a correct posture of the player on the bench, the stadium seat is the ideal seat for any kind of stadium. Comfortable, anatomical, there is also a version with an internal heater. No more cold muscles. Now there is the Stadium Seat by Sparco.



# F200

**NEW**



- Tubular steel frame chassis
- Fixing points 271x345
- Compatible with 3 and 4 points safety harnesses
- 3d fabric for improve breathability
- Available in three colours: black, red, blue



00917NR



00917RS



00917AZ

## CUSTOMIZE YOUR CAR INTERIOR WITH THE SAME FABRIC USED FOR THE SPARCO SPORT SEAT



**01052J...**  
Roll of 5 metres  
of Jacquard fabric.



**0150V...**  
Roll of 5 metres  
of velour fabric.

F104



**01049...**  
Roll of 5 metres  
of New Brighton fabric.

R100  
R333  
F300  
F300 R



**01052JGRNR**  
Roll of 5 metres  
of Jacquard fabric.

R300  
F300



**01051A**  
Alcantara.

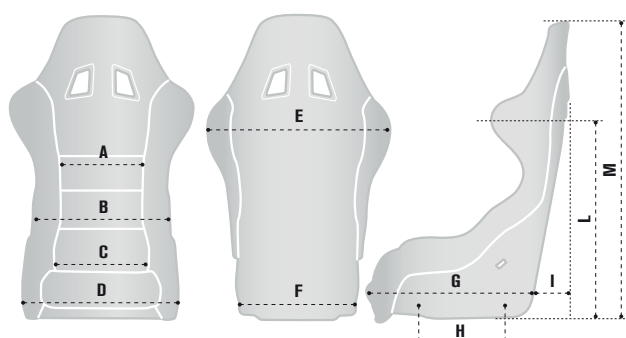
R 700 A



**MS06000L**  
Leather.

R700P

R505



Mod.	R600	R333	R100	F200
A	300	280	300	345
B	530	500	500	450
C	280	360	350	330
D	540	530	500	490
E	570	520	500	520
F	440	490	440	410
G	640	590	540	520
H	-	-	-	290
I	-	-	-	110
L	580	620	700	550
I	910	920	930	860
Kg	19,80	15,50	13,30	8,80



00920RS



00920AZ



00920GR



- Group I + II + III child seat suitable for children between 9 and 36 kilos, equivalent to children aged 9 months to 9 years
- 5-point safety harnesses with one pull adjustment.
- Performance chest pads harnesses
- Backrest adjustment height
- Removable and washable cover
- Completely removable seat to follow the growth of the child
- Seat measures around 460 x 400 x 700 mm
- ECE R44/04 approved

# F500 K



00923RS



00923AZ



00923GR



- Group 0+ 1 child seat suitable for children between 0 and 18 kilos, equivalent to children aged 0 month to 4 years
- Fixing system using the seat belts of the car
- Reclining backrest (front seat position)
- Ergonomic and comfortable seat
- Removable and washable cover
- Completely removable seat to follow the growth of the child
- Seat measures around 460 x 400 x 700 mm
- ECE R44/04 approved

# FBOOK NEW



- Group 0+ child seat suitable for children between 0 and 13 kilos, equivalent to children aged 0 month to 18th months.
- Universal fixing system.
- Side Protection Edition (SPE).
- 3-point harness with HOLMBERGE buckle and one pull adjustment.
- Height adjustable headrest and harness with easy single handed adjustment (optional).
- Infant insert to give extra support to newborn babies.
- Sun / wind canopy included.
- Homologation: ECE R44/04

009276R



# FBOOK



00924NR6R



00924RS



00924AZ



00924NRAZ



009246R

- Group 2 + 3 child seat suitable for children between 15 and 36 kilos, equivalent to children aged 4 to 12 years
- Positioned correctly allows the use of seat belts of the car
- Ergonomic and comfortable seat
- Removable and washable cover
- Lightweight
- Seat measures around 460 x 400 x 300 mm
- ECE R44/04 approved



## SEAT SLIDES, SUBFRAMES FOR BOTTOM MOUNTING



### 00497RACE

- ADAPTOR for racing seats on seat rails



Example of specific frame



### 00495

- UNIVERSAL FITTING KIT with 4 brackets with height adjustment, 2 reinforced aluminium corner pieces and the necessary screws and nuts.



### 00491

- UNIVERSAL SUBFRAME with mechanism to adjust the height of the seat, for cars with removable slides from the original seat with distance between slides up to 430 mm.



### 00494

- TILT FORWARD BRACKET to be fitted between slides and subframes to allow easy access to the rear seats also on cars with front seats with fixed backrest.



### 0049302

- SET OF SLIDE RUNNERS - ECO Economical. (longitudinal distance 271 mm).

### 00493

- SET OF SLIDE RUNNERS - HIGH QUALITY Top quality. (longitudinal distance 271 mm).



# HARNESSES



# 04604 BM

• HOMOLOGATION: ECE



■	04604BMRS
■	04604BMAZ
■	04604BMNR
■	04604BMSGR

- 4 fixing points, snap on, lap reinforcement

# 04608 DF

• HOMOLOGATION: ECE



■	04608DFRS
■	04608DFAZ
■	04608DFNR
■	04608DFSGR

- 3 fixing points, double buckle, snap on and lap reinforcement

# 04604 BV

• HOMOLOGATION: ECE



■	04604BVRS
■	04604BVAZ
■	04604BVNR
■	04604BVS6R

- 4 fixing point by bolt with lap reinforcement

# 04608 BV

• HOMOLOGATION: ECE



■	04608BVRS
■	04608BVAZ
■	04608BVNR
■	04608BVS6R

- 3 bolted fixing points

# SPORT

# 77



**01090S4AZ**

Sottile. Thin. Delgado

**01090S4RS**

Sottile. Thin. Delgado

**01090S4NR**

Sottile. Thin. Delgado



**0109077BIAZ**

Sottile. Thin. Delgado

**0109077AZ**

Sottile. Thin. Delgado

**0109077RS**

Sottile. Thin. Delgado

**0109077NR**

Sottile. Thin. Delgado

**0109177BI**

Spesso. Thick. Grueso

**0109177AZ**

Spesso. Thick. Grueso

**0109177RS**

Spesso. Thick. Grueso

**0109177NR**

Spesso. Thick. Grueso

# MINI

# GT



**01099NR**

**01099RS**

**01099AZ**

• Pair of pads in Alcantara with high grip neoprene inner layer. Useful to improve comfort of driving when fitted on steering wheels or handbrake handle.



**01090R3AZ**

Sottile. Thin. Delgado

**01090R3RS**

Sottile. Thin. Delgado

**01090R3NR**

Sottile. Thin. Delgado



# STEE

• Essential driving instruments, Sparco steering wheels have been developed to satisfy the most exigent drivers. Sparco steering wheels is designed to improve the grip, increasing precision, safety and comfort, transferring an unique driving pleasure. Available in different diameters, depth and covered with different materials to satisfy every need. Most of our steering wheels have been obtained from TÜV the ABE and KBA homologation.

**The homologation is valid ONLY for steering wheel and hub used together, we recommend to use the original Sparco hubs.**

# RING WHEELS



# L777

• DIAMETER: 350 mm

• DISHED: 63 mm

• SUEDE

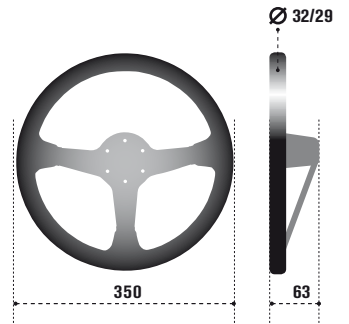
• LEATHER



**015L800SC**  
Suede

**015L800PLAR**  
Leather

**015L800SCAR**  
Suede



• 350 mm. Dished, 63 mm. Leather



**015L800PL**  
Leather



# L 550

• DIAMETER: 350 mm

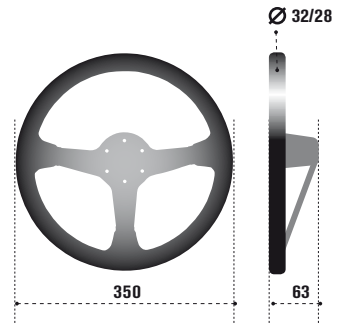
• DISHED: 63 mm

• SUEDE

• LEATHER



015TMZS1  
Suede



• 350 mm. Dished, 63 mm. Leather



015TMZL9  
Leather

# L575

• DIAMETER: 350 mm

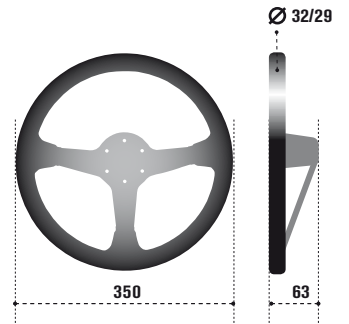
• DISHED: 63 mm

• SUEDE

• LEATHER



**015L750SC**  
Suede



• 350 mm. Dished, 63 mm. Leather



**015L750PL**  
Leather

# L 555

• DIAMETER: 350 mm

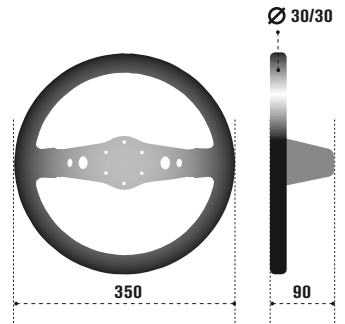
• DISHED: 90 mm

• SUEDE

• LEATHER



**015TSFS1**  
Suede



• 350 mm. Dishd, 90 mm. Leather



**015TSFL9**  
Leather

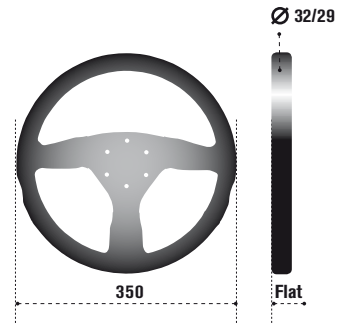
# L505

• DIAMETER: 350 mm

• DISHED: **FLAT**

• **SUEDE**

• HOMOLOGATION: **TÜV**



• 350 mm. Flat. Suede. TÜV homologated



015TL522TUV

Leather/suede.

# L 360

• DIAMETER: 330 mm

• DISHED: **FLAT**

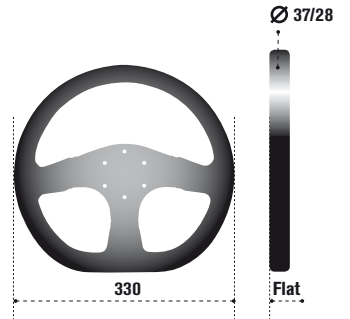
• **SUEDE**

• **LEATHER**

• HOMOLOGATION: **TÜV**



**015TRGS1TUV**  
Suede



• 330 mm. Flat. TÜV homologated



**015TRGL1TUV**  
Leather

# L 999

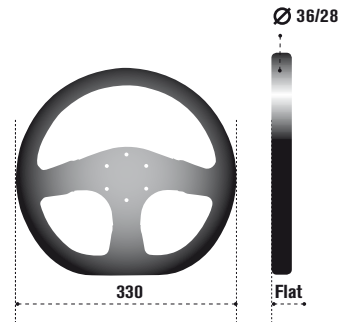
• DIAMETER: 330 mm

• DISHED: **FLAT**

• **SUEDE**

• **LEATHER**

• HOMOLOGATION: **TÜV**



• 330 mm. Flat. TÜV homologated



015TMG22TUV

Leather/Alcantara.

# P 222

• DIAMETER: 345 mm

• DISHED: FLAT

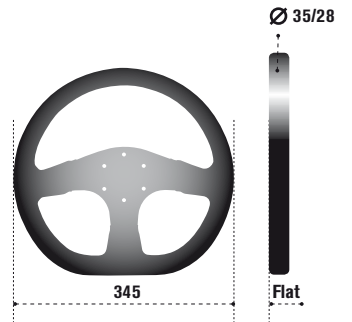
• SUEDE

• LEATHER



01599P222NR  
OPTIONAL

015THPUNR345



• 345 mm. Flat. Polyurethane



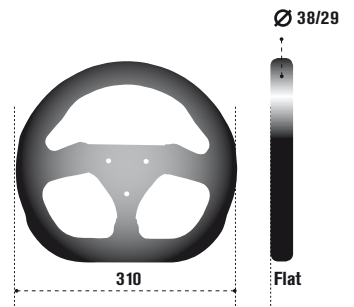
01599P222GR  
OPTIONAL

015THPUGR345

# P 104 SPORT

• DIAMETER: 310 mm

• DISHED: **FLAT**



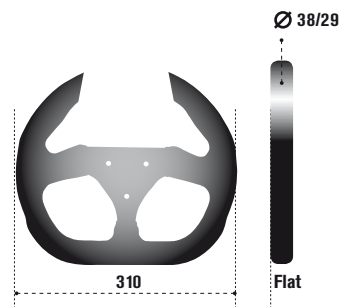
• 310 mm. Flat. Polyurethane

015THIP311

# P 104 LIMITE

• DIAMETER: 310 mm

• DISHED: **FLAT**



• 310 mm. Flat. Polyurethane

015THIP310



## MOZZI - HUB - CUBOS PARA VOLANTE

Sparco collapsible hubs are cast iron made with a steel frame that collapse during impacts. This item absorbs kinetics energy avoiding transfer to the driver. The Sparco steering wheels are TUV approved only if coupled with the Sparco hubs.



## QUICK RELEASE STEERING BOSSSES



- 6-slot PCD 6x70 mm steering wheel connection flange designed with no need for welding to steering column with a flange that can be connected to normal Sparco boss. To be bolt to hub.



015R98TU

## RACING PUSH BUTTONS KIT



- Black anodized support complete of push button

015NE981



- Black anodized support complete of two push button

015NE982



## STEERING WHEEL SPACERS



01595ANT

01595ANR

## ECCENTRING RING

Adapter for small diameter steering wheels to obtain a proper dashboard visualization.



01592N

## RING

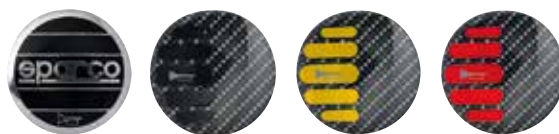


01599NR  
Anodized aluminium

01598RS  
Painted aluminium

01598NR

## CENTER CAPS FOR HORN BUTTON



01597GZ

01597GN

01597GG

01597GR

• Set of 10 center caps for Sparco horn buttons

# GEAR KNOBS



# - PEDAL SETS



# TRALICCIO

- Drilled gear knob with sphere handgrip

03740TR



# SETTANTA

# SETTANTA R

- Titan/black two colour gear knob

03736AT

03736A0



- Titan/black two colour gear knob

03737TS

03737NS



# RACING

# PIUMA

- Spherical gear knob
- Universal mounting on all gear stick with a max diameter 15 mm
- Not suitable for gearbox with syringe safety stop
- Made by aluminium
- External diameter 48 mm

- Lightened grey/black gear knob



# SPEED

# GLOBE

# TECNO

- Chromed gear knob or chromed with leather insert

- Chromed gear knob or chromed with leather insert for reverse gear

- Chromed or wrapped in perforated leather gear knob.

03744PTN



03745PTN



03747PTN

03747CR



# SETTANTA

- Universal handbrake made of leather.



03753TI



03753NR

# BASIC

- Gear knob gaiter in ecological leather with Sparco embroidered logo.

037541NRRS



037541NRAZ



037541NRAR





# SETTANTA

• HOMOLOGATION: ECE

- Lightened universal black or silver pedal, ECE



- Set of universal pedals, ECE

- Set of pedals, long accelerator pedal, ECE

- Set pedals, automatic gear, long accelerator pedal, ECE

- Set of pedals, automatic gear, ECE

■ 0378790P01  
■ 0378791T01

■ 0378790P04  
■ 0378791T04

■ 0378790P02  
■ 0378791T02

■ 0378790P03  
■ 0378791T03

- Lightened universal black or silver pedal, ECE



- Lightened universal grey pedal, ECE



- Set of Piuma pedals, long accelerator pedal, ECE



- Piuma set pedals, automatic gear, long accelerator pedal, ECE



- Set of Piuma pedals, automatic gear, ECE

■ 037879BC01  
■ 037879BT01

■ 037879BAFN  
■ 037879BAFT

■ 037879BAAN  
■ 037879BAAT

■ 037879BATN  
■ 037879BATT

- Reflex kit universal pedals, ECE.

**0378713**

Rubber kit

**03787K13**



- Set of reflex universal pedals, NO ECE

**0378703**

Rubber kit

**03787K03**

- Set of Reflex pedals, long accelerator pedal, ECE

**0378723**

Rubber kit

**03787K3**

- Reflex set pedals, automatic gear, long accelerator pedal, ECE

**0378724**

Rubber kit

**03787K4**

- Set of Reflex pedals, automatic gear, NO ECE

**0378704**

Rubber kit

**03787K04**

# CARBON

• HOMOLOGATION: ECE

- Set of 3 carbon pedals, NO ECE.

03783L



## NAVIGA

- 5 mm anodized aluminium sheet, laser cutted. Pre drilled for easy fitting on the floor, or on the MAT floor, adjustable angle; dimensions about cm 36 x 28. High quality materials.

03789TAN



## MAT

- 5 mm anodized aluminium sheet, laser cutted. Pre drilled for easy fitting dimensions about cm 50 x 38 . High quality materials.

03789RAN



# PIUMA

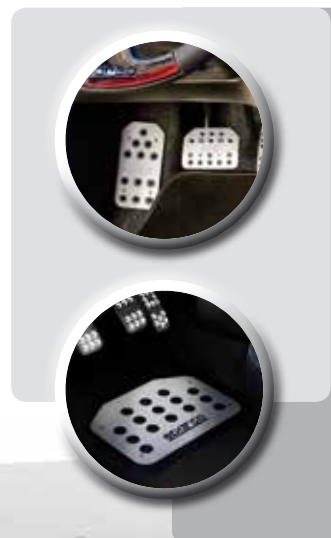


Driver footrest in aluminum

■ 03788BT01 ■ 03788BN01

- Universal anodized aluminium floor mat, 300 x 250 mm

03766BT01



# SETTANTA



Driver footrest in aluminum

■ 03788TI ■ 03788NR



- Driver footrest in shiny aluminium

03788BRI

## SILL GUARD



Set of 2 sill guard 3D flexible adhesive

**605 x 35 mm - 03769A**



Set of 2 sill guard 3D flexible adhesive

**450 x 35 mm - 03769B**



Carbon sill guard 3D flexible adhesive

**605 x 35 mm - 03770CAR...**



Carbon sill guard 3D flexible adhesive

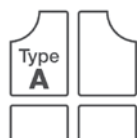
**450 x 35 mm - 03769CAR...**

# NEW STRADA

- Set of 4 carpet in 2 sizes (A and B) with vinyl insert.



- Fixing universal kit for carpet (10 pcs per box)



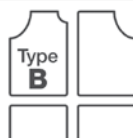
Suitable for all cars with conventional accelerator.



**03763ARS 03763ABS 03763AAR 03763ANR**

**MOD. STRADA - TYPE A COD. 03763A**

Model
Alfa Romeo - 33, 75, 155, Gtv 95>, Spider 95>
Audi - A2, A3, A4, A6, Allroad
Chrysler - Neon, PT Cruiser
Chevrolet - Matiz, Aveo Lacetti
Citroën - AX, Berlingo, C1, C2, C3, Saxo, Xsara, Xsara Picasso, Xantia, ZX
Daewoo - Espero, Nexia, Nubira, Tacuma
Dacia: tutte
Daihatsu - Charade, Cuore, Move, Sirion, Terios, YRV, Materia
Fiat - 500, Barchetta, Bravo/Brava, Doblò, Multipla, Palio, Punto tutte, Tempra, Tipo, Uno
Ford - Focus, Galaxy, C-max, S-max
Hyundai - Pony, Sonata, S Coupè, i10, i30
Kia - Carnival, Clarus, Pride, Rio, Sephia, picanto, rio, cee'd
Lancia - Delta, Dedra, Y 2003>
Mazda - 121, Demio, Pick-up, Premacy
Opel - Agila, Calibra, Corsa, Frontera, Tigra, Zafira
Peugeot - 106, 107, 1007, 206, 207, 306, 307, 308, 406, Ranch
Renault - R 5, Clio, Kangoo, Laguna, Megané
Rover - Mini
Seat - Alhambra, Cordoba, Ibiza, Leon, Toledo
Skoda - Felicia, Octavia
Suzuki - Ignis, Jimny, Samirai, Swif, splash,
Tata: tutte
Toyota - Pic Nic, Yaris, Aygo
Volkswagen - Corrado, Golf I, Golf II, Golf III, Passat, Polo >11/01, FOX
Volvo - 440/460



Suitable for all cars with floor accelerator.



**03763BRS 03763BBS 03763BAR 03763BNR**

**MOD. STRADA - TYPE B COD. 03763B**

Model
Alfa Romeo - 145/146, 147, 156, 159, 164, 166, Mito, GT, BRERA
Audi - TT - A8, 100/200, Q7
BMW - tutte
Chevrolet - Nubira, Epica, Tacuma, Captiva
Cadillac : tutte
Chrysler - Stratus, Voyager, 300C
Citroën - C4, C5, C6, C8, C-Crosser
Daewoo - Lanos, Matiz, Leganza
Daihatsu - Feroza
Dodge: tutte
Fiat - Cinquecento, Coupè, Panda, Seicento, Croma, Marea, Stilo, Ulysse, Sedici, Croma
Ford - Cougar, Fiesta, Ka, Puma, Mondeo, Escort, Scorpio, Sierra, Kuga
Hummer: tutte
Honda - Accord, Civic, CR-V, CRX, HR-V, Integra, Jazz, Prelude
Hyundai - Accent, Atos, Coupe, Lantra, Galloper
Lancia - Libra, K, Thema, Z, Y>2003
Land Rover - Discovery, Freelander, Range Rover
Mazda - 323, 626, MPV, MX3, Xedos6, Xedos9, 2, 3, 5, 6
Mercedes - Classe A, Clase B, Classe C, CLK, Classe E, Classe ML, Serie S, SLK, Classe V
Mini - tutte
Mitsubishi - Carisma, Colt, L200, Lancer, Space Star, Space Wagon, Space Runner, Pajero
Nissan - Almera, Micra, Patrol, Primera, Terrano
Opel - Astra, Vectra, Omega
Peugeot - 405, 407, 607, 806, 807, 4007
Renault - Megané Scénic, Twingo, modus, koleos
Rover - 200, 400, 800, 25, 45, 75
Saab - 900, 9000, 9-3, 9-5, 9-7
Seat - Arosa, Marbella, Altea
Skoda - Fabia, Roomster
Subaru - Forester, Impreza, Justy
Suzuki - Alto, Vagon R+, Vitara, SX4
Toyota - Avenis, Celica, Corolla, MR 2, Pick-up, Rav 4, Auris
Volkswagen - Golf IV e V, New Beetle, Polo 11/01>, lupo
Volvo - 740,760, 850, S40,V40, S70,V70, S80, 480

DESIGN AND ENGINEERING BY



From the joining of two big brands like Sparco and Oz, a new programme of Tuning wheels is born. Italian design, high quality materials, OEM technologies for an exclusive wheels programme with a strong racing character. The Sparco wheels range is TUV Homologated





# WHEELS



**NEW**

# PRO CORSA



• 17"

• 18"



- monobloc wheel
- mesh design
- rear concave design
- finish: matt dark titanium



**NEW**

# TARMAC



• 17"

• 18"



- monobloc wheel
- 5 spokes design
- finish: gun metal



**NEW**

# TERRA



• 16"

• 17"



Gold: 17"x 7,5 only



- monobloc wheel
- 11 spokes design
- finish: white, gold



# PISTA



• 14"

• 15"

• 16"

• 17"

• 18"



- monobloc wheel
- 10 double spoke design with Sparco screw
- finish: matt silver tech



**NEW**

# RTT



• 15"

• 16"

• 17"

• 18"



- monobloc wheel
- 5 spokes design
- finish: matt black



# RTT 524



• 16"

• 17"

• 18"



- monobloc wheel
- 5 spokes design
- finish: hyper, matt polish



# DRIFT



• 15"

• 16"

• 17"



- monobloc wheel
- 10 double spoke design with Sparco wording diamond cut
- finish: matt bronze , matt black





# ASSETTO GARA



• 15"

• 16"

• 17"

• 18"



## SPECTRUM

- monobloc wheel
- 10 spokes design
- finish: matt black, matt bronze





POCONO

NASCAR Sprint CUP SERIES

OFFICIAL

CAT

CAT

CAT

PERKILLAR

CAT

eporco

CATERPILLAR

CHEVROLET SS

MOO  
MAH  
COM

# ACCESSORIES

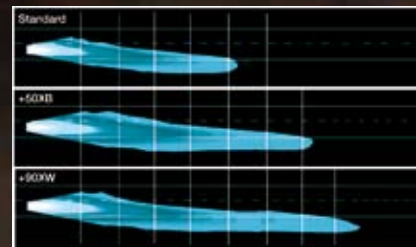




## PERFORMANCE AND SAFETY HOMOLOGATED

The new range of high performance Sparco lamp bulbs is obtained from the Sparco experience in the night stages and 24 hours races, where the goal is not to replicate the effect of the xeno lamps bulbs but to get a better visibility of the track, for a safe and performance driving.

New Sparco lamp bulbs (European production) have been realized with an exclusive and innovative technology that allows to the 55-60W homologated lamp to have an higher performance compared to a 100W lamp.





**E** Street Legal

## +100XW

- White light "without compromise" for the maximum performance. Increased depth of the light beam for a reduced eyesight fatigue for night driving.



**E** Street Legal

## +50XB

- Increased depth of the light beam Blue light for a soft Xeno effect.

02061SW1008	+100XW-H1	12V 55W	2 PZ	H1	A
02061SW1002	+100XW-H4	12V 60/55W	2 PZ	H4	A
02061SW1007	+100XW-H7	12V 55W	2 PZ	H7	A

02061SW778	+50XB-H1	12V 55W	2 PZ	H1	A
02061SW772	+50XB-H4	12V 60/55W	2 PZ	H4	A
02061SW777	+50XB-H7	12V 55W	2 PZ	H7	A



**E** Street Legal

## ICE40K

- Blue light for a Xeno effect. Reduced eyesight fatigue for night driving.



## X80W

- High performance bulbs 80 watt. Blue light for a Xeno effect. Increased depth of the light beam for a reduced eyesight fatigue for night driving.

02061ICEK4008	ICE40K-H1	12V 55W	2 PZ	H1	A
02061ICEK4002	ICE40K-H4	12V 60/55W	2 PZ	H4	A
02061ICEK4007	ICE40K-H7	12V 55W	2 PZ	H7	A

02061XX8008	X80W-H1	12V 80W	2 PZ	H1	A
02061XX8002	X100W-H4	12V 100/80W	2 PZ	H4	A
02061XX8007	X80W-H7	12V 80W	2 PZ	H7	A

# STRUT BRACES



- Used in all cars during the races the strut braces are available in more than 200 specific models.
- Available in steel or in aluminium SHT treated, they are equipped with an adjustable system that increase the rigidity and allows an easier fitting.
- Strut braces help to maintain the correct suspension geometry providing much needed rigidity at suspension points.

**sparco** HTS

- Special treatment developed by Sparco improves the aluminium mechanical features increasing rigidity.

sparco HTS

## BRAKE LINES

# LINEA-R

- These kits are made of high-strength aircraft quality materials with Teflon hose covered with a metallic stocking and safety connection. Perfectly interchangeable with the original rubber hoses, remove the effect of the "long" pedal when the brake system is stressed. The higher rigidity of the hose allows to control the brake even if in bad conditions.



## SPACERS



- Developed in a special aluminium alloy through an innovative forging technology, afterwards they are wrought with CNC machine (computer numerical control) to obtain the perfect coplanar surface.

They are heat treated to increase the mechanical resistance and next they are anodized to guarantee the oxidation protection.

The application table includes the most popular application available in the market, bolts and studs included.

The wheel spacers increased the track improving the driving precision.

**Important: the use of wheel spacers modify the suspension geometry, that needs to be revised afterwards.**

# UNIVERSAL AIRBOX

## HP300

- Universal air filter
- Intended for cars which develop up to 300 bhp
- Includes universal assembly kit
- Requires some modification of the air intake assembly

030HP300



**030HP002**  
Filtro HP300 - HP300 Filter

## HP160

- Universal air filter
- Intended for cars which develop up to 160 bhp
- Includes universal assembly kit
- Requires some modification of the air intake assembly

030HP160



**030HP003**  
Filtro HP160 - HP160 Filter



Cleaner

**030AC005**



**030HP001**  
Connection tube for HP300 and HP160



## ALUMINIUM FUEL CAP WITH KEY INCLUDED



270096

27004CR

Chromed



270040A

Silver



## MUD FLAPS



• Couple of coloured mud flap

- 03791RS
- 03791
- 03791AZ
- 03791NR



## BONNET PINS



01606S

01606AA

01606AR

01608

01606S

• Pair of stainless steel bonnet pins with captive slide pin.

01606A

• Pair of aluminium bonnet pins, anodised blue or red with captive slide pin

01608

• Pair of stainless steel spring hooks



# TEAMWEAR



**NEW**

# WINTER JACKET

SIZES: S · XXL



011294NR..



011294BM..

- Winter jacket, technical fabric, internal lining and removable cap.  
COMPOSITION:  
Outer fabric 100% polyester (PU coated) 130 gr/m<sup>2</sup>  
Internal lining 100% polyamide  
FEATURES:  
Waterproof internal fabric (tested: 10000 water column), 3 external pockets and 2 internal pockets. Regulation on cuffs and waist. It is possible to personalize this item with colours, printings and embroideries (Sparco guideline).



**NEW**

# SOFT SHELL

SIZES: S · XXL



011763NR..



011763BM..

- Soft shell DROP TEX with inside napping.  
COMPOSITION:  
47% polyamide 41% polyester  
12% elastane (polyurethane)  
350 gr/m2  
FEATURES:  
Drop repellent and wind stopper fabric, 3 external pockets and elastic cuffs.  
It is possible to personalize this item with colours, printings and embroideries (Sparco guideline).

**NEW**

# WAISTCOAT

SIZES: S · XXL



011313NR..



011313BM..

- Winter vest in technical fabric with padded inner lining.  
COMPOSITION:  
Outer fabric 100% polyester (PU coated) 130 gr/m<sup>2</sup>  
Internal lining 100% polyamide  
FEATURES:  
Waterproof internal fabric (tested: 10000 water column), 3 external pockets and 2 internal pockets.  
It is possible to personalize this item with colours, printings and embroideries (Sparco guideline).

**NEW**

# HOODIE

SIZES: S · XXL



011748NR..



011748BM..

- Hoodie in cotton and front pocket.  
COMPOSITION:  
100% polished cotton (internal brushed) 310 gr/m2  
CHARACTERISTICS:  
Sweatshirt in soft polished cotton with cuffs and bottom ribs.  
It is possible to personalize this item with colours, printings and embroideries (Sparco guideline).

**NEW**

# SWEATSHIRT

SIZES: S · XXL



011749NR..



011749BM..

- Full zip cotton sweatshirt with lateral pockets.  
COMPOSITION:  
100% polished cotton (internal brushed) 310 gr/m2  
CHARACTERISTICS:  
Sweatshirt in soft polished cotton with cuffs and bottom ribs.  
It is possible to personalize this item with colours, printings and embroideries (Sparco guideline).

**NEW**

# POLO

• SIZES:  
S · XXL

**NEW**

# CAPS

- Short sleeves polo shirt in breathable cotton.  
COMPOSITION: 100% cotton 190 gr/m2  
FEATURES: Breathable cotton fabric. Internal collar and moisture-wicking sweat band in contrast.  
It is possible to personalize this item with colours, printings and embroideries (Sparco guideline).



011885NR..



011885RS..



011885BM..



011885BL..



011505BM..



011505RS..



011505NR..

- Baseball cap, 5 cotton panels with internal contrast colour.  
COMPOSITION: 100% Cotton  
FEATURES: Perfect fitting and comfort. Inner in contrast colour. It is possible to personalize this item with colours, printings and embroideries (Sparco guideline).





**NEW**

# SHIRT

• SIZES:  
S · XXL

- Long sleeves shirt in lightweight cotton with pocket and pen holder.  
COMPOSITION: 100% cotton 130 gr/m2  
FEATURES: Lightweight and breathable cotton fabric. Moisture-wicking sweat band and buttonhole in contrast. Pocket with pen holder. It is possible to personalize this item with colours, printings and embroideries (Sparco guideline).



011773BI..

**NEW**

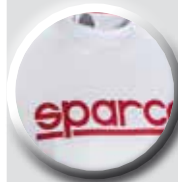
# T-SHIRT

• SIZES:  
S · XXL

- T-shirt, short sleeves, lightweight cotton.  
COMPOSITION: 100% cotton 165 gr/m2  
FEATURES: Lightweight and breathable cotton fabric. Moisture-wicking sweat band in contrast. It is possible to personalize this item with colours, printings and embroideries (Sparco guideline).



011911..NR



011911..BI



# TIME 77

SIZES: 36 - 46

• Completely in leather.



001205..NRVD

**NEW**



001205..BI



001205..NR

# TIME 77

SIZES: 36 - 46

• Made of fabric and leather.



001204..BIGR



001204..NRBI



001204..BINR



001204..NRGR

UNTIL STOCK LAST

• Completely in leather.



001201..BI



001201..NR

• Made of fabric, leather and suede.



001202..NR



001202..RS



001202..AZ



001202..BI

**MX RACE**



# METROPOLIS



01642177NR

- Large trolley (H.40xL91xD37)
- Material: Polyester 600
- Re-inforced base for a increased wear resistance
- Padded helmet compartment
- Shoe compartment
- Internal pockets made of mesh fabric with zip closure
- Vertical reflective stripes
- Nickel accessories
- Anatomical rubber handle
- Fabric handle with hook and loop fastener padded closure

# TRAVEL



01640277NR

- Medium trolley (H33xL67xD30)
- Material: Polyester 600
- Re-inforced base for a increased wear resistance
- Recessed trolley handle
- Internal pockets made of mesh fabric with zip closure
- Vertical reflective stripes
- Nickel accessories
- Anatomical rubber handle
- Fabric handle with padded hook and loop fastener fastening

# ROUNDTrip



01642277NR

- Small bag (H31xL63xD30)
- Material: Polyester 600
- Re-inforced base for a better wear resistance
- Internal pockets made of mesh fabric with zip closure
- Vertical reflective stripes
- Front external pocket
- Nickel accessories
- Shoulder strap
- Fabric handle with padded hook and loop fastener closure

# PROMENADE



**TRIP2**

h 35 x l 77 x p 39 cm

016521NR6R

- Wheeled suitcase travel bag (H51xL39xD18)
- Material: Polyester 600
- Aircraft Hand luggage sized
- External front pocket and back pockets
- Vertical reflective stripes



01640477NR

# DAILY



01642477NR



# STREET



01642377NR



- Ruck sack (H48xL31xD13)
- Material: Polyester 600
- Re-inforced base for a better wear resistance
- Breathable mesh fabric on back
- Padded carry handles
- Front pocket and large central compartment with separate padded laptop case
- Anatomical rubber handle
- Vertical reflective stripes
- Nickel accessories

# CO-DRIVER



016428NR



# HANS BAG



01642977NR

- Helmet and Hans device bag
- Material: Polyester 600 fabric
- Re-inforcement for greater wear resistance
- Padded helmet compartment
- Padded Hans device compartment
- External pocket
- Vertical reflective strips
- Fabric handle with padded hook and loop fastener closure

## GADGETS & MERCHANDISING



FLAG  
150 x 100 cm  
099009

White 099039B1  
Blue 099040AZ



- 4 pens + pen case in recycled cardboard and plastic

099006



- Ceramic mug intended for beverages.  
Suitable for microwave and dishwasher.

099011



- Ballpoint pen
- 099004

- Keyring
- 099020



- Pen drive USB 4 GB
- 099021





## BEACH TOWEL / GYM TOWEL

**099022** Beach towel 150 x 80 cm

**099023** Gym towel 100 x 50 cm



- Polyester automatic umbrella.  
Diameter: 127 cm



**099007**

- swivel seat base with wheels
- hydraulic adjusting
- inferior fixing  
271,5 x 345 mm

**010701**

**010701B**

with arms



**00967NR**



**00967NRSKY**

**Sparco seat office chair** - Based on tuning seats the new seat office chair is completed with wheeled swivel base height adjustable and comfortable armrests adaptable in different positions. **Important note:** this seat cannot be retro fitted to any vehicle, it is not suitable for any driving application. Available in fabric and vinyl leather.



**004904**

- Kit of 4 brackets to fix racing seats onto a swivel base

# GADGETS & MERCHANDISING



• Set of 10 badge

**099BADGE**



## T-COMPACT

MAN - S-XXL

White **011903BI..**

Black **011903NR..**

LADY - XS-L

White **011902BI..**

Black **011902NR..**



Flip flops

Sizes:  
37/38 - 39/40  
41/42 - 43/44

White **099030..BI**

Black **099030..NR**



- Case and buckle: stainless steel 316l
- Case diameter: 47 mm
- Swiss made eta 2824/2 automatic and anti-magnetic incabloc movement
- Black pvd rotating bezel
- Screw-down crown
- Date display
- Water resistant 50 atm with automatic helium valve
- White super-luminova dial and hands
- Mineral glass
- Screw back case



099013NR



099014BM



099014RS



099017PINK



099016VI



099015BI



099017NR



0990316R

099031NR



099032NR

099032BI

099032LL

# GADGETS & MERCHANDISING

## METAL STICKERS

- 3D chromed pre-spaced sticker

ASPA103D 10 cm

ASPA183D 18 cm



## PRE-SPACED STICKERS



09015... 15 cm (30 pcs)

09020... 20 cm (20 pcs)

09030... 30 cm (15 pcs)

## KIT OF 20 STICKERS

4 pcs 15 cm

8 pcs 10 cm

8 pcs 7.2 cm

09001



## KIT OF 16 STICKERS

- Punched sticker rally paper

ASPA001





Looking for racing gear and equipment? Visit our website.