

PERFORMANCE



The products shown in this section of the catalogue are intended exclusively for use outside Motorsport and in Non-Competitive Applications. Sparco SpA declines any responsibility for damages or consequences resulting from their use as replacement of original automobile parts or is contrary to the applicable Country/State legislation.

SPORT SEATS



NEW | SPT / SPX

**STAY TUNED
AVAILABLE
FROM APRIL**



R 600 L
Pelle - Leather - Piel

R600

Tubular steel frame. New micro seat back regulation, similar to top supercars. Ergonomic and comfortable padding. 3 types of covering: Jacquard leather and Alcantara. Quick tilting lever. Lower fixing 271x345. Compatible with 3 and 4 points safety harnesses.

JACQUARD:

- 00968NRRS
- 00968NRNR

LEATHER:

- 00968PNR

ALCANTARA:

- 00968ANR



JACQUARD



JACQUARD



LEATHER



ALCANTARA



R333

Tubular frame. Double adjustment and reclining lever. Bottom fixing (271 x 345).
Compatible with 3 or 4 fixing point harnesses

- 00965NR
- 00965NRGR
- 00965NRGRS



EXPEDITION

SKY seat, specific for off road. High lateral support for back. Low lateral leg support,
easy entry on high cars. 180° tilting.

- 00969NRSKY





F200

Tubular steel frame chassis. Fixing points 271x345. Compatible with 3 and 4 points safety harnesses.
3D fabric for improve breathability

- 00917NR
- 00917RS
- 00917AZ



R100

R100 SKY

Tubular steel frame chassis. Fixing points 271x345. Compatible with 3 and 4 points safety harnesses.
3D fabric for improve breathability

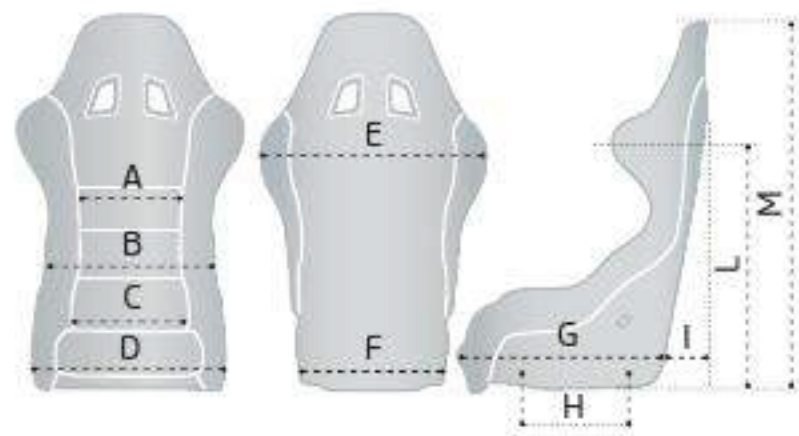
TESSUTO-FABRIC-TELA:

- 00961NRRS
- 00961NRGR
- 00961NRAZ
- 00961NRNR

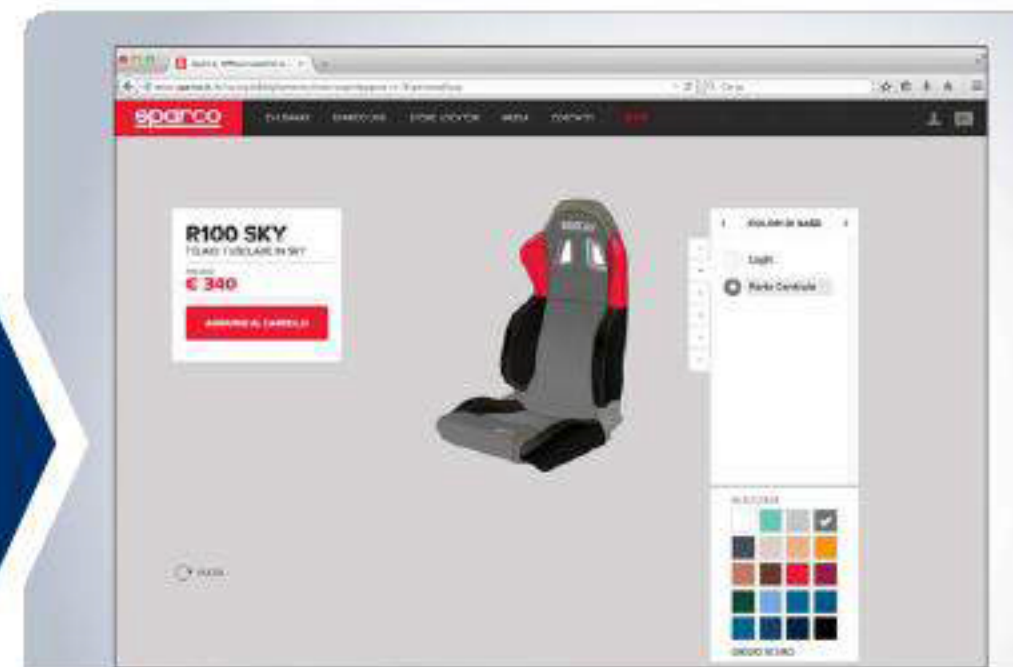
SKY:

- 00961NRSKY





Mod.	R600	EXPED.	R333	R100	F200
A	300	300	280	300	345
B	530	500	500	500	450
C	280	370	360	350	330
D	540	500	530	500	490
E	570	460	520	500	520
F	440	440	490	440	410
G	640	560	590	540	520
H	-	-	-	-	290
I	-	-	-	-	110
L	580	700	620	700	550
I	910	-	920	930	860
Kg	19,80	14,00	15,50	13,30	8,80



SEAT SLIDES, SUBFRAMES FOR BOTTOM MOUNTING

ADAPTOR for racing seats on seat rails

00497RACE



Example of specific frame. For the complete application list see the price list.



UNIVERSAL FITTING KIT - with 4 brackets with height adjustment, 2 reinforced aluminium corner pieces and the necessary screws and nuts.

00495



UNIVERSAL SUBFRAME - with mechanism to adjust the height of the seat, for cars with removable slides from the original seat with distance between slides up to 430 mm.

00491



TILT FORWARD BRACKET - to be fitted between slides and subframes to allow easy access to the rear seats also on cars with front seats with fixed backrest.

00494



SET OF SLIDE RUNNERS - Longitudinal distance 271 mm

0049302 (Economical - Economical- Baratas)
00493 (Top quality - Top de qualidade)

HARNESSES



04604 BM

ECE

4 fixing points, snap on, lap reinforcement.

- 04604BMRS
- 04604BMAZ
- 04604BMNR
- 04604BMSGR



04608 DF

ECE

3 fixing points, double buckle, snap on and lap reinforcement.

- 04608DFRS
- 04608DFAZ
- 04608DFNR
- 04608DFSGR



04604 BV

ECE

4 fixing point by bolt with lap reinforcement.

- 04604BVRS
- 04604BVAZ
- 04604BVNR
- 04604BVSGR



04608 BV

ECE

3 bolted fixing points.

- 04608BVRS
- 04608BVAZ
- 04608BVNR
- 04608BVSGR



SPORT

SPORT

Sottile. Thin. Delgado.

- 0109054AZ
- 0109054RS
- 0109054NR



77

77

Sottile. Thin. Delgado.

- 0109077BIAZ
- 0109077AZ
- 0109077RS
- 0109077NR

GT

Sottile. Thin. Delgado.

- 01090R3AZ
- 01090R3RS
- 01090R3NR



GT

MINI

Pair of pads in Alcantara with high grip neoprene inner layer. Useful to improve comfort of driving when fitted on steering wheels or handbrake handle.



MINI

- 01099NR
- 01099RS
- 01099AZ



OFFICIAL SUPPLIER:



PALLAVOLO
PADOVA

trentino volley



SAFETY & CONFORT FROM MOTORSPORT
SEATS FOR SPORTS



STADIUM & OFFICE SEATS



Sparco sport seats stem from the experience of over 30 years on tracks around the world in the racing field. Sparco, through its R&D experience, has created a comfortable and anatomic seat for all needs and for all athletes, whether professional or amateur, starting from the racing seats used in the World Rally Championship (WRC) to achieve a seat characterized by high performance with excellent rigidity/weight ratio. Fundamental features are the padding and high density memory foams, designed to improve the posture of the athlete while resting.

A world of possibilities for you:

The benches can be customised with logos and with many the colours available: all you have to do is send the high definition company logo to Sparco and everything else will be taken care of by the Sparco graphics department to implement the perfect seating for your needs. You can include the name and surname of your affiliate, your chairman or anyone who wants their own unique seat: that's why the seats are not just for sports benches, but can become comfortable chairs for the office, meeting rooms or press conferences

A world of colours and possibilities await you, and if everything that Sparco provides on paper does not satisfy you, try the new Sparco online configurator, the customization possibilities are infinite







KID SEATS

NEW | URBAN

UNI EN 1888:2005 | Group 0+•1 | 0-18 kg ▶ 0-4Y

Carrycot: from newborn up to 6 months. Seat: from 7 months up to 4 years approx. Quick folding & unfolding by one hand operation. Carrycot, car seat & accessory can attach on the stroller. Swiveling, positioning and removable front wheels. Removable rear wheels. Lightweight aluminum frame. Removable bumper bar. 5-point safety harness. Removable canopy.

- 00928RS
- 00928AZ
- 00928GR

Adjustable footrest.



One step brake.



Swiveling, positioning.



3' SECS QUICK FOLDING



3'secs Quick folding



2 IN 1

2 in 1. Stroller seat converts to carrycot.



Reversible multi-function seat.






POLYESTER

MESH

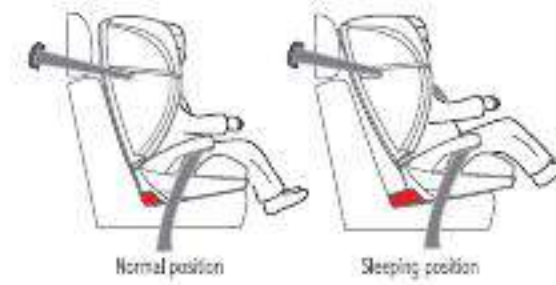


F1000 K


ECE R44/04 | Group 1+2+3 |  9-36 kg ▶ 9M-12Y

Seat belt guide positions correctly the diagonal belt when used as a high-back booster seat. Seat shape positions correctly the lap belt when used as a high-back booster seat. Separate removable back rest to enable easy storage and packaging. Headrest/Harness Integrated Height Adjustment System. 5-point harness system with one pull adjustment. Removable and washable soft padded cover. Side Impact Protection. Intuitive belt routing. Recline mechanism.

 00926RS
 00926AZ
 00926GR



F700 i

ECE R44/04 | Group 2+3 |  15-36 kg ▶ 4-12Y

Adjustable angle backrest: moves the center of gravity of the child's body back and prevents the head from falling during sleep. Wide and deep backrest. Large and wider cushion. Height indicator to perfect fix Child's height. Clear Vehicle Belt Routing. Fix connectors, easy and convenient to install in the vehicle. Ergonomic armrest.

 00924IRS
 00924IAZ
 00924IGR





F500 i

ECE R44/04 | Group 1 | 9-18 kg ▶ 1-4Y |

Approved for forward facing use. 5 point harness system. Side Impact Protection with deep, softly padded side wings. 5 reclined positions with one pull adjustment. Iso fix locking/releasing indicators. IsoFix base.

00923IRS
00923IAZ
00923IGR



F300 K

ECE R44/04 | Group 0+ | 0-13 kg ▶ 0-18M |

Universal fixing system. 3-point harness with holmberge buckle and one pull adjustment. Height adjustable headrest and harness with easy single handed adjustment (optional). Infant insert to give extra support to newborn babies. Sun/wind canopy included.



F100 K

ECE R44/04 | Group 2+3 | 15-36 kg ▶ 4-12Y

Positioned correctly allows the use of seat belts of the car. Ergonomic and comfortable seat. Removable and washable cover. Measures: around 460 x 400 x 300 mm.



00924NRAZ
00924NRGR
00924RS



	GROUP 0+	GROUP 1	GROUP 2+3
URBAN Homologation: UNI EN 1888:2005	 0-18 kg ▶ 0-4Y		
F300 K Homologation: ECE R44/04	 0-13 kg ▶ 0-18M		
F500 i Homologation: ECE R44/04		 9-18 kg ▶ 1-4Y	
F1000 K Homologation: ECE R44/04		 9-36 kg ▶ 9M-12Y	
F700 i Homologation: ECE R44/04			 15-36 kg ▶ 4-12Y
F100 K Homologation: ECE R44/04			 15-36 kg ▶ 4-12Y





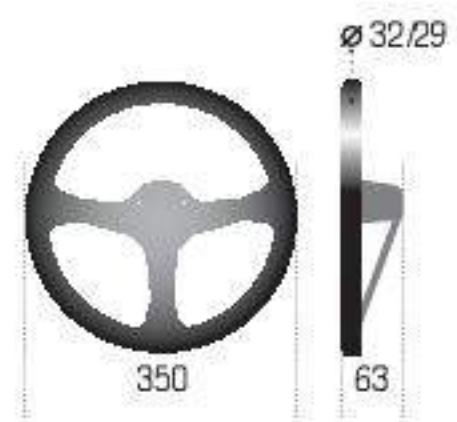
STEERING WHEELS



L550 S | L | Ø 350

◀ 015TMZL9
Leather

▼ 015TMZS1
Suede



L777
S | L | Ø 350

015L800PL
Leather



015L800SC
Suede

015L800PLAR
Leather

015L800SCAR
Suede

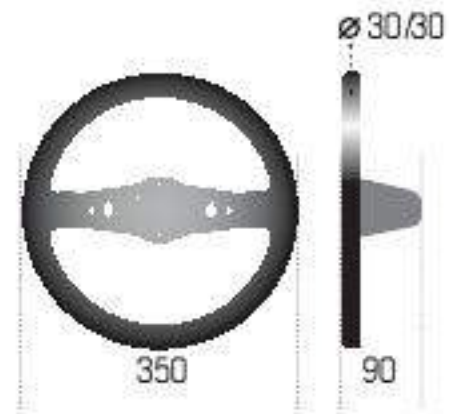


L575 S | L | Ø 350

◀ 015L750PL
Leather

▼ 015L750SC
Suede

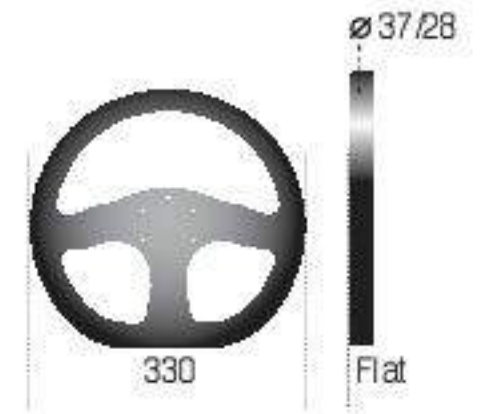




L555 S | L | Ø 350

◀ 015TSFL9
Leather

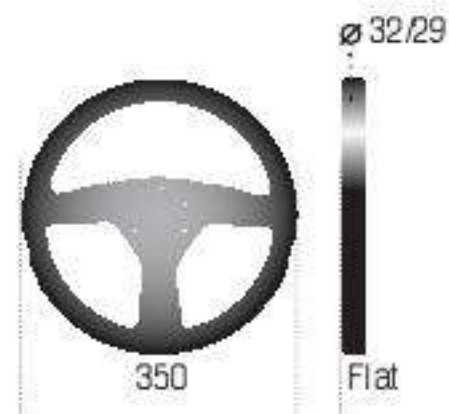
▼ 015TSFS1
Suede



L360 S | L | Ø 330

◀ 015TRGL1TUV
Leather

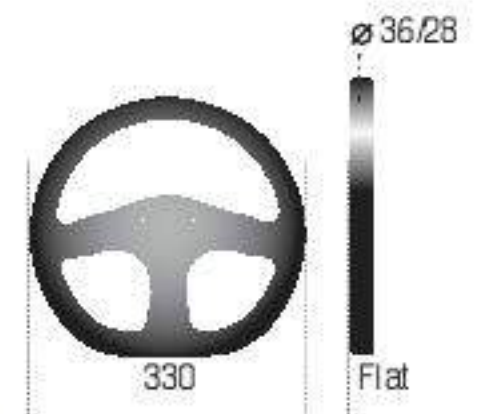
▼ 015TRGS1TUV
Suede



L505 S | L | Ø 350

015TL522TUV

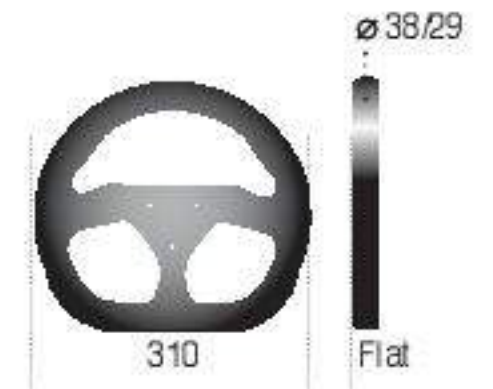
Leather/Suede



L999 A | L | Ø 330

015TL522TUV

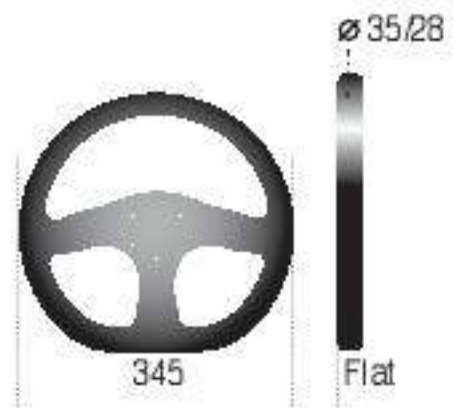
Leather/Alcantara



P104 SPORT

P | Ø 310

015THIP311
Polyurethane



P222

P | Ø 345

015THPUGR345
Polyurethane
Black/Silver

015THPUNR345 ▶
Polyurethane
Black/Black



01599P222NR
OPTIONAL





HUB

FOR THE COMPLETE APPLICATION LIST
PLEASE CHECK PRICE LIST

Sparco collapsible hubs are cast iron made with a steel frame that collapse during impacts. This item absorbs kinetics energy avoiding transfer to the driver.
The Sparco steering wheels are TÜV approved only if coupled with the Sparco hubs.



ANODIZED STEERING WHEEL SPACERS

- 01595ANR
- 01595ANT



QUICK RELEASE STEERING BOSSES

CNC machined with steel spline. Black anodized and orange. Universal fixing system for 3 or 6 fixing point, steering hub, steering column.

015R98TU

RACING PUSH BUTTONS KIT

Black anodized supports with push buttons

- 015NE981 (1 push button)
- 015NE982 (2 push buttons)



ECCENTRING RING

Adapter for small diameter steering wheels to obtain a proper dashboard visualization.

01592N



01599NR

RING

Anodized aluminium

- 01599NR

Painted aluminium



01598RS

01598NR

- 01598RS
- 01598NR

CENTER CAPS FOR HORN BUTTON

Set of 10 center caps for Sparco horn buttons



01597GZ

01597GN

01597GG

01597GR



OFFICIAL SUPPLIER OF YOUR PASSION





GEAR KNOBS & PEDAL SETS

PIUMA



Lightened grey/black gear knob.

03741BN01
03741BT01



TRALICCIO



Drilled gear knob with sphere handgrip.

03740TR

SETTANTA



Titan/black two colour gear knob.

03736AT
03736AO



SETTANTA R



Titan/black two colour gear knob for reverse gear.

03737TS
03737NS



RACING

Spherical gear knob. Universal mounting on all gear stick with a max diameter 15 mm. Not suitable for gearbox with syringe safety stop. Made by aluminium. External diameter 48 mm.



037401CL (carbon look)
037401AN (anodised)
037401CR (chromed)



SPEED



Chromed gear knob or chromed with leather insert.

03744PTN

GLOBE



Chromed gear knob or chromed with leather insert for reverse gear.

03745PTN

TECNO



Chromed or wrapped in perforated leather gear knob.

03747PTN
03747CR





REFLEX

ECE

Reflex kit universal pedals, ECE.

0378713

Rubber kit

03787K13

NO ECE



Set of universal pedals.

0378703

03787K03



Set of pedals, long accelerator pedal.

0378723

03787K3



Automatic gear, long accelerator pedal.

0378724

03787K4



NO ECE

Pedals set, automatic gear.

0378704

03787K04



PIUMA

ECE

Lightened universal black or silver pedal, ECE



Set of universal pedals.

037879BC01
037879BT01



Set of pedals, long accelerator pedal.

037879BAFN
037879BAFT



Automatic gear, long accelerator pedal.

037879BAAN
037879BAAT



Pedals set, automatic gear.

037879BATN
037879BATT





SETTANTA

ECE

Lightened universal black or silver pedal.




Set of universal pedals.

-  0378790P01
-  037879IT01





Set of pedals, long accelerator pedal.

-  0378790P04




Automatic gear, long accelerator pedal.

-  0378790P02 (until stock last)
-  037879IT02 (until stock last)





Pedals set, automatic gear

-  0378790P03 (until stock last)

SETTANTA



Driver footrest in aluminum

-  03788TI
-  03788NR





Driver footrest in shiny aluminium

- 03788BRI



Universal handbrake

-  03753TI
-  03753NR





NAVIGA

5 mm anodized aluminium sheet, laser cutted. Pre drilled for easy fitting on the floor, or on the MAT floor, adjustable angle; dimensions about cm 36 x 28. High quality materials.

03789TAN



MATT

5 mm anodized aluminium sheet, laser cutted. Pre drilled for easy fitting dimensions about cm 50 x 38. High quality materials.

03789RAN



CARBON NO ECE

3-piece set in pre-bent and shaped mixed carbon. Brake and clutch with non-slip inserts

03783L



SILL GUARD

Set of 2 sill guard 3D flexible adhesive

03769A 605 x 35 mm
03769B 450 x 35 mm

Carbon sill guard 3D flexible adhesive

03770CAR... 605 x 35 mm
03769CAR... 450 x 35 mm



BASIC

Gear knob gaiter in ecological leather with Sparco embroidered logo.

037541NRRS
037541NRAZ
037541NRAR



OFFICIAL SUPPLIER OF YOUR PASSION

NEW STRADA

Set of 4 carpet in 2 sizes (A and B) with vinyl insert.

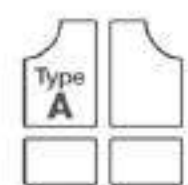


TYPE A

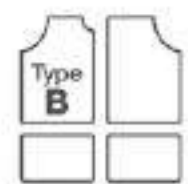
-  03763ARS
-  03763ABS
-  03763AAR
-  03763ANR

TYPE B

-  03763BRS
-  03763BBS
-  03763BAR
-  03763BNR



Suitable for all cars with conventional accelerator.



Suitable for all cars with floor accelerator.

FOR THE COMPLETE APPLICATION LIST PLEASE CHECK PRICE LIST

DON'T FORGET TO USE IT



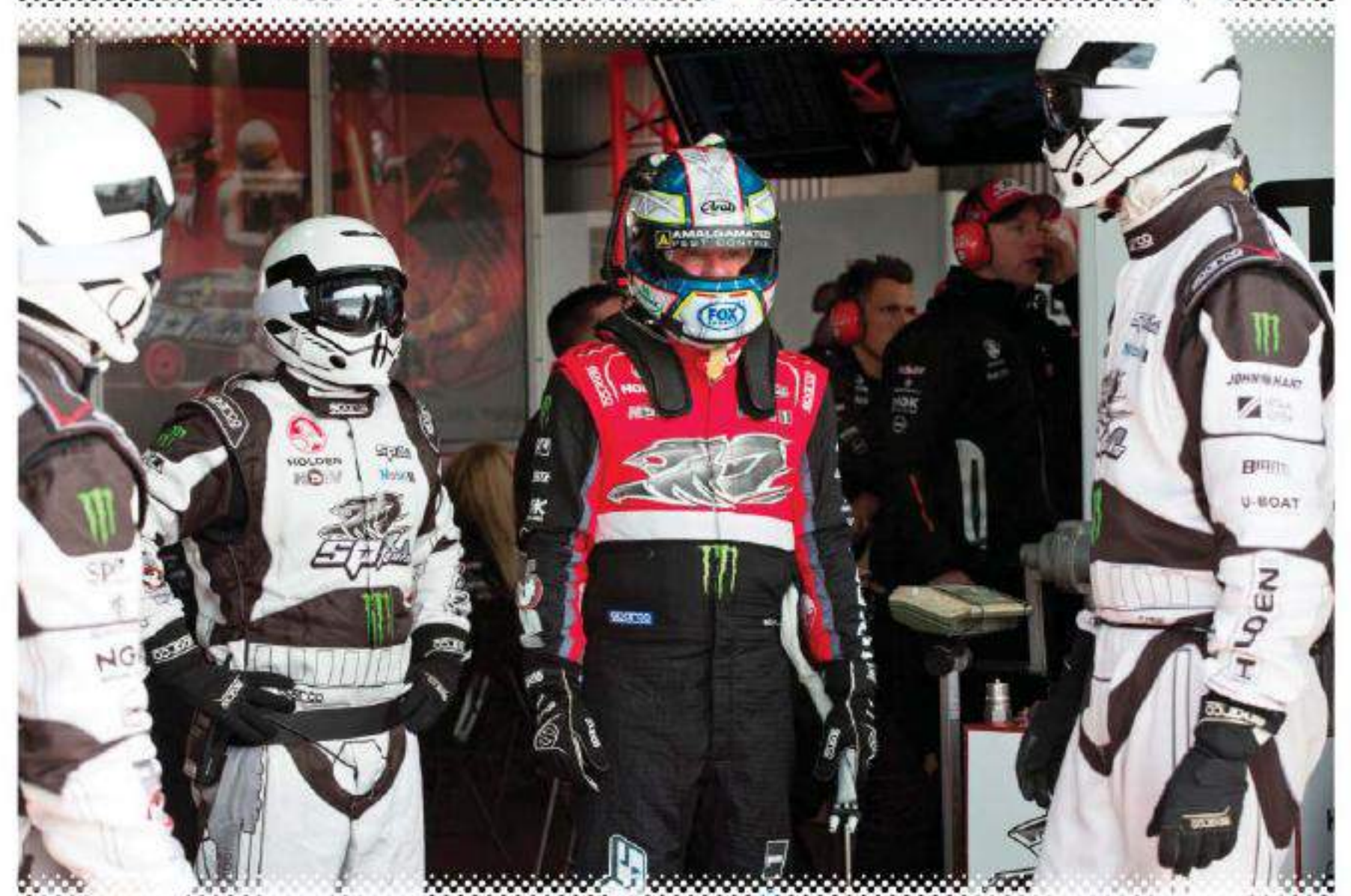
Fixing universal kit for carpet (10 pcs per box)

03768PU



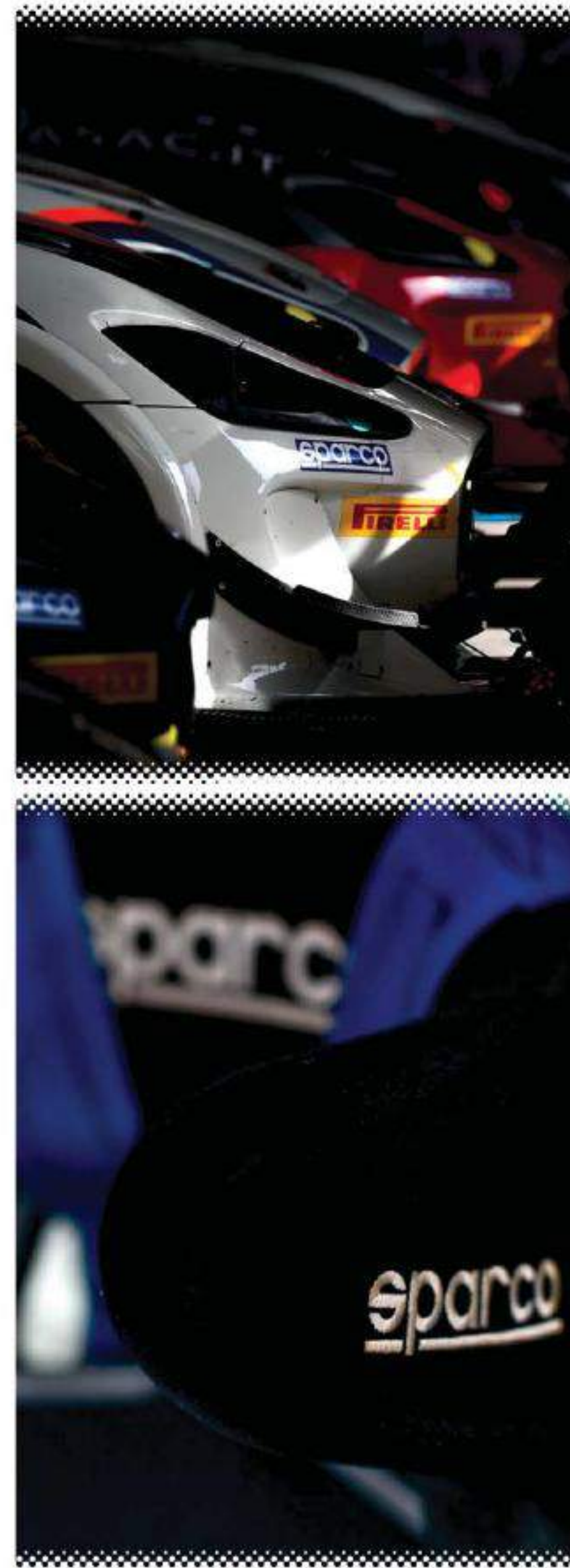


OFFICIAL SUPPLIER OF YOUR PASSION





OFFICIAL SUPPLIER OF YOUR PASSION





OFFICIAL SUPPLIER OF YOUR PASSION





From the joining of two big brands like Sparco and Oz, a new programme of Tuning wheels is born. Italian design, high quality materials, OEM technologies for an exclusive wheels programme with a strong racing character. The Sparco wheels range is TUV Homologated



SPARCO WHEELS




NEW | TROFEO 5

TÜV |  17 - 18



NEW | TROFEO 4

TÜV |  14 - 15 - 16 - 17



Monobloc wheel. 10 Double spoke design with Sparco wording diamond cut. Finish: matt bronze , matt black.

FOR THE COMPLETE APPLICATION LIST PLEASE CHECK PRICE LIST



Monobloc wheel. 8 Double spoke design with Sparco wording diamond cut. Finish: matt bronze , matt black.

FOR THE COMPLETE APPLICATION LIST PLEASE CHECK PRICE LIST





PRO CORSA


TÜV |  17 - 18

Monobloc wheel. Mesh design. Rear concave design. Finish: matt dark titanium

FOR THE COMPLETE APPLICATION LIST PLEASE CHECK PRICE LIST



ASSETTO GARA

TÜV |  15 - 16 - 17 - 18

Monobloc wheel. 10 Spokes design. Finish: matt black, matt bronze.

FOR THE COMPLETE APPLICATION LIST PLEASE CHECK PRICE LIST





TARMAC

TÜV |  17 - 18

Monobloc wheel. 5 Spokes design. Finish: gun metal

FOR THE COMPLETE APPLICATION LIST PLEASE CHECK PRICE LIST



TERRA

TÜV |  16 - 17

Monobloc wheel. 11 Spokes design. Finish: white, gold.



Gold:
17"x 7,5 only

FOR THE COMPLETE APPLICATION LIST PLEASE CHECK PRICE LIST





PISTA

TÜV | 🏠 14 - 15 - 16 - 17 - 18

Monobloc wheel. 10 Double spoke design with Sparco screw. Finish: matt silver tech.

FOR THE COMPLETE APPLICATION LIST PLEASE CHECK PRICE LIST



DRIFT

TÜV | 🏠 15 - 16 - 17

Monobloc wheel. 10 Double spoke design with sparco wording diamond cut. Finish: matt bronze , matt black.

FOR THE COMPLETE APPLICATION LIST PLEASE CHECK PRICE LIST





SPACERS

FOR THE COMPLETE APPLICATION LIST
PLEASE CHECK PRICE LIST



Developed in a special aluminium alloy through an innovative forging technology, afterwards they are wrought with CNC machine (computer numerical control) to obtain the perfect coplanar surface. They are heat treated to increase the mechanical resistance and next they are anodized to guarantee the oxidation protection. The application table includes the most popular application available in the market, bolts and studs included. The wheel spacers increased the track improving the driving precision.
Important: the use of wheel spacers modify the suspension geometry, that needs to be revised afterwards.

HIGH PERFORMANCE BULBS



+100 XW

- White light "without compromise" for the maximum performance. Increased depth of the light beam for a reduced eyesight fatigue for night driving.

02061SW1008	+100XW-H1	12V 55W	2 PZ	H1	A
02061SW1002	+100XW-H4	12V 60/55W	2 PZ	H4	A
02061SW1007	+100XW-H7	12V 55W	2 PZ	H7	A



+50 XB

- Increased depth of the light beam Blue light for a soft Xeno effect.

02061SW778	+50XB-H1	12V 55W	2 PZ	H1	A
02061SW772	+50XB-H4	12V 60/55W	2 PZ	H4	A
02061SW777	+50XB-H7	12V 55W	2 PZ	H7	A



ICE40 K

- Blue light for a Xeno effect. Reduced eyesight fatigue for night driving.

02061ICEK4008	ICE40K-H1	12V 55W	2 PZ	H1	A
02061ICEK4002	ICE40K-H4	12V 60/55W	2 PZ	H4	A
02061ICEK4007	ICE40K-H7	12V 55W	2 PZ	H7	A



X80 W

- High performance bulbs 80 watt. Blue light for a Xeno effect. Increased depth of the light beam for a reduced eyesight fatigue for night driving.

02061XX8008	X80W-H1	12V 80W	2 PZ	H1	A
02061XX8002	X100W-H4	12V 100/80W	2 PZ	H4	A
02061XX8007	X80W-H7	12V 80W	2 PZ	H7	A

UNIVERSAL AIR BOX



HP300 Filter

030HP002

HP 300

• Universal air filter. Intended for cars which develop up to 300 bhp. Includes universal assembly kit. Requires some modification of the air intake assembly

030HP300



HP160 Filter

030HP003

HP 160

• Universal air filter. Intended for cars which develop up to 160 bhp. Includes universal assembly kit. Requires some modification of the air intake assembly

030HP160



Connection tube for HP300 and HP160

030HP001



Cleaner

030AC005

AERO FUEL CAPS



27004CR
Cromato. Chromed. Cromado



270040A
Oss. Argentio. Silver-Oss. Plata



27009G

CIERRES CAPÓ



01606S | 01606AA | 01606AR | 01608

01606S

Pair of stainless steel bonnet pins with captive slide pin.

01606A

Pair of aluminium bonnet pins, anodised blue or red with captive slide pin

01608

Pair of stainless steel spring hooks

MUD FLAPS



Curved polyethylene mud guards kit thickness 1,5 mm not FIA compliant.

- 03791
- 03791RS
- 03791AZ
- 03791NR

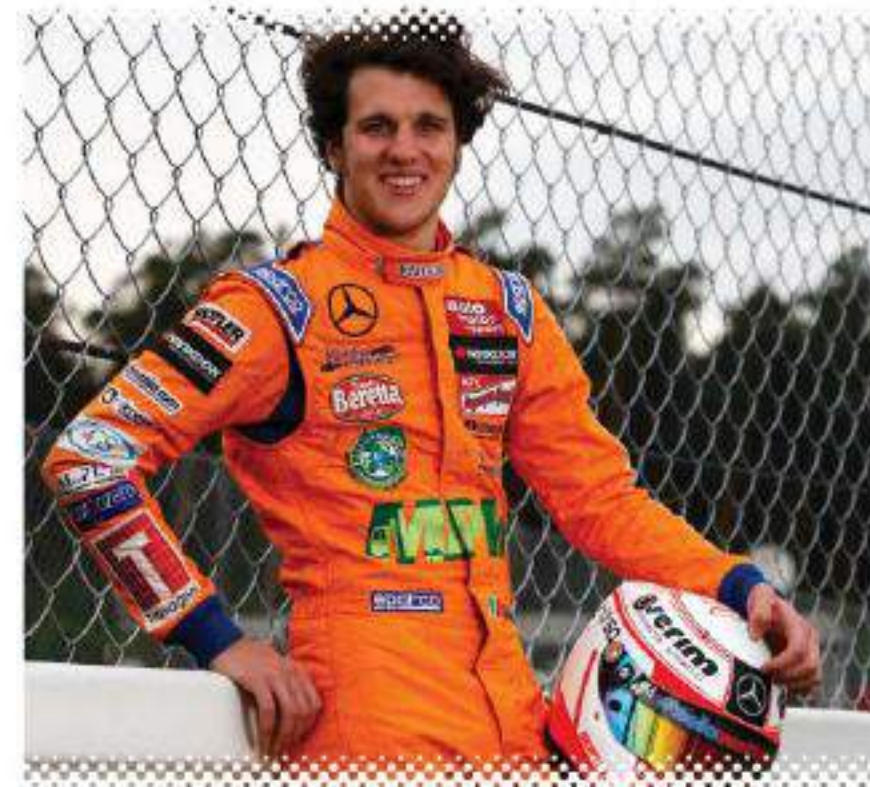


OFFICIAL SUPPLIER OF YOUR PASSION





OFFICIAL SUPPLIER OF YOUR PASSION



Looking for racing gear and equipment? Visit our website.