

WeatherTech®

DISTRIBUTOR CATALOG



WHAT MATTERS TO YOU?

Today, America needs fresh leadership to lead us as a nation out of this economic crisis. Leadership must come not only from our political leaders but also from the average citizen. The exporting of American jobs is a trend that must be stopped and reversed. When I walk into my local hardware store, I typically find 85% of the goods for sale are manufactured 7,000 miles away. Recognizable American brands have been forced by shortsighted management and buyers at large national chains to build factories overseas just to save a lousy \$.50 on a tape measure. To these ruthless buyers, it is all about the money. Rarely are product quality, the political system, human rights, animal rights and environmental costs to the planet considered, not to mention the cost to our society of exporting not only jobs, but an entire factory!

At MacNeil Automotive, we are doing our part for the American economy and for our 300 million fellow citizens and neighbors. My philosophy is that if my neighbor doesn't have a job, sooner or later I won't have a job either. For example, we used to have our All-Weather Floor Mats manufactured in England by a company that used antiquated, inefficient equipment. They made a decent floor mat for us, but we thought we could build a better floor mat for our customers using modern American technology, American raw materials and skilled American workers. So in 2007 we transferred all of our floor mat manufacturing back to the United States. Today, we build the best fitting, highest quality automotive floor mats in the world, right here in America.

Our machine shop is equipped with 26 CNC machining centers including four 4 axis mills and one 5 axis mill that produce between 30 to 50 injection and thermoforming molds per month. We have one shift of highly skilled American Journeymen toolmakers and apprentices, but our machines run 24 hours a day, 7 days a week. There is not a more efficient tool and mold making operation in the world - and guess what, it's right here in America.

Furthermore, most of our CNC mills are manufactured in Oxnard, CA by Haas. Our 1,000 ton injection molding machines are made in Bolton, Ontario of American and Canadian components. Our thermoforming machinery is made in Carol Stream, IL. The raw steel and aluminum billets which make up our tooling are sourced from American steel and aluminum mills such as Vista Metals in Fontana, CA. The raw materials that make up our All-Weather Floor Mats, FloorLiners, Cargo Liners and Mud Flaps are manufactured in Paulding OH, Greenville OH, Wichita KS and Jasper TN. Our forklifts are made in Columbus IN and Greene NY. Our warehouse racking is manufactured in Melrose Park IL.

At MacNeil Automotive, we are also very aware of sustainability and our responsibility to the environment. We are proactive in controlling waste and recycling all of the unused raw materials from the manufacture of our tooling and products including: aluminum, steel, rubber, TPO, TPE, paper and cardboard.

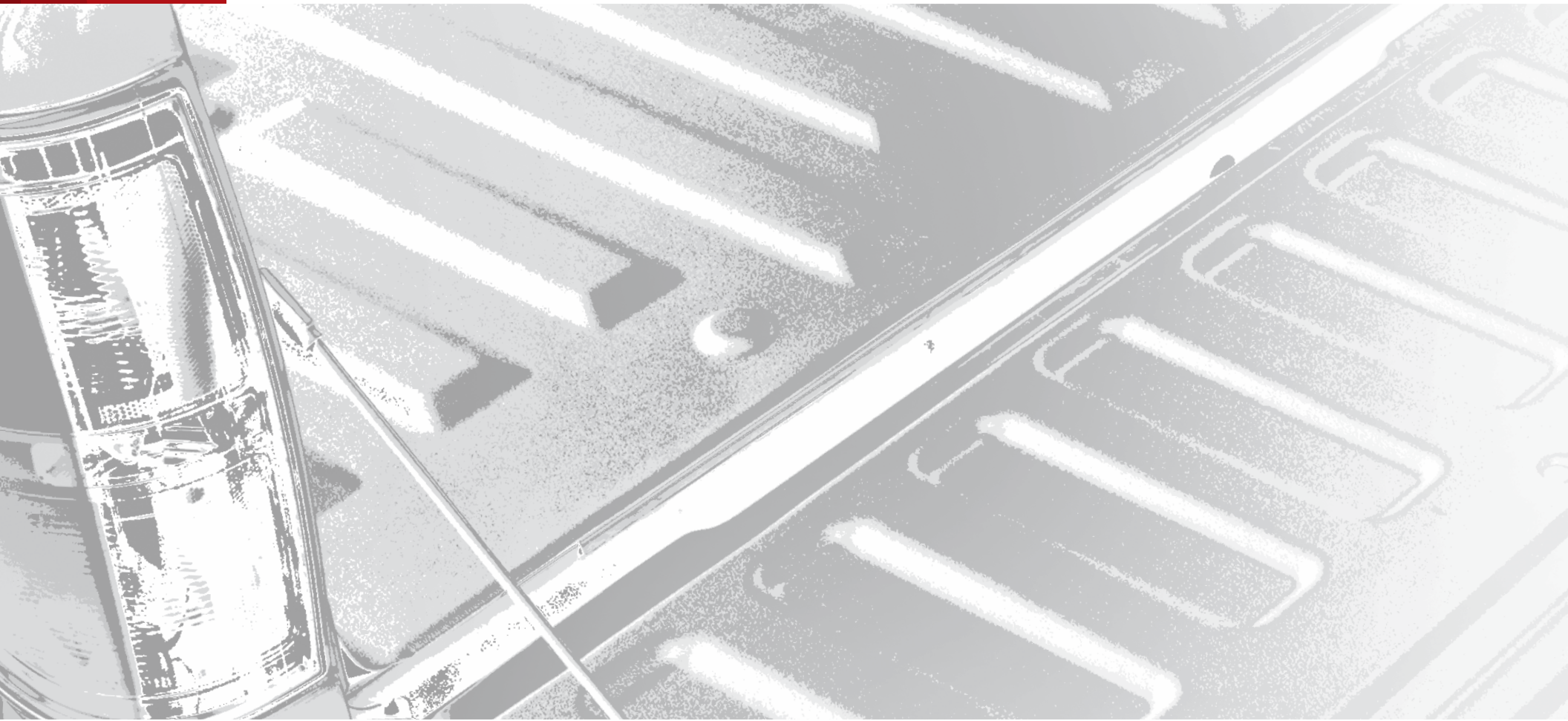


As you can see, we are as dedicated to designing, developing and manufacturing the finest automotive accessories for our consumer and OEM clients as we are passionate about supporting the American economy, preserving the American industrial infrastructure, and keeping the “money” in our family, a family of 300 plus million people from all over America.

Our commitment and dedication to our customer is further exemplified by our certification to ISO 9001:2008 Quality Management Standards with the additional Automotive Qualification ISO/TS 16949:2009. This ensures our customers of the highest quality products as well as the systems necessary to continually exceed expectations in every regard.

Life is simple; be good to your fellow man, be kind to animals and the environment, and place building a quality product, supporting your country and your fellow American worker before profit. And, one last thing - let’s all do our best to balance family time with work time as our children are the future of America.

Sincerely,



CONTENTS

INTERIOR FLOOR PROTECTION

FloorLiner™	8
All-Weather Floor Mats	12
AVM® All-Vehicle Mats	16

CARGO & TRUNK PROTECTION

Cargo Liners	18
AVM® Universal Cargo Mats	22
TechLiner™	24

DEFLECTORS

Side Window Deflectors	26
Sunroof Wind Deflector	30
Stone & Bug Deflector	32

MUD FLAPS

No-Drill MudFlaps	34
-------------------	----

FLOOR TILE

TechFloor™	38
------------	----

ADDITIONAL ACCESSORIES

Billet Aluminum Plate Frames	40
ClearCover®, ClearFrame™, PlateFrame™	42
TechCare™	44
RackSack®	46
Pet Barrier	47
WeatherTech® BatteryCharger	48
WeatherTech® BatteryCharge Indicator	48
TechShade®	49
WeatherTech® Racing T-Shirts	50
Car Cover	51
Gift Bag	51
LampGard®	52
Marketing Materials Order Form	54
Marketing Materials	55



FLOORLINER™



In the quest for the most advanced concept in floor protection, the talented designers and engineers at MacNeil Automotive have worked tirelessly to develop the most advanced floor protection available today! The WeatherTech® FloorLiner™ accurately and completely lines the interior carpet giving “absolute interior protection”.

Digital laser measurements of interior surfaces offer a consistently perfect fit. A patented tri-extruded composition allows for a rigid core for strength while offering surface friction to the carpet, as well as tactile feel to the surface. The FloorLiners™ advanced surface design has channels that carry fluid and debris, away from shoes and clothing, into a lower reservoir. The lower reservoir uses additional channeling to minimize fluid movement while driving. Once fluids become trapped in the reservoir, they are easily removed from the WeatherTech® FloorLiner™ over the door sill...No muss-no fuss! Available in Black, Tan or Grey for cars, trucks, SUVs, and minivans.



Textured Finish



Raised Lip



Contoured Underside

FLOORLINERS™ FOR OVER 900 CARS,
TRUCKS, SUVS AND MINIVANS

AVAILABLE FOR

Acura • Audi • BMW • Buick • Cadillac •
Chevrolet • Daihatsu • Dodge •
Ferrari • Ford • GMC • Honda •
Hummer • Hyundai • Infiniti •
Isuzu • Jeep • Kia • Land Rover •
Lexus • Lincoln • Maserati • Mazda •
Mercedes-Benz® • Mercury • Mini •
Mitsubishi • Nissan • Oldsmobile •
Pontiac • Porsche® • Saab • Saturn •
Scion • Smart • Subaru • Suzuki •
Toyota • Volkswagen • Volvo •
And More!



TOYOTA PRIUS



NISSAN XTERRA



HONDA ODYSSEY



ALL-WEATHER FLOOR MATS



The WeatherTech® All-Weather Floor Mats are made out of an odorless compound, that have deeply sculpted channels designed to trap water, road salt, mud and sand. Our proprietary engineered resin ensures that these mats will not curl, crack or harden in sub-zero weather. Our All-Weather Floor Mats also have anti-skid ridges to prevent shifting in your vehicle, and come with a protective non-stick finish to make cleanup quick and easy.

WeatherTech® All-Weather Floor Mats are manufactured in America to ISO 9001 standards, and also meet FMVSS302 standards – your assurance of quality. Choose from Black, Tan or Grey to complement virtually any interior color. Available for cars, trucks, minivans and SUVs.



Ribbed Design



Fluid and Debris Reservoir



Underside - Nibs and Anti-Skid Ridges





ALL-WEATHER FLOOR MATS FOR CARS, TRUCKS, SUVS AND MINIVANS

AVAILABLE FOR

Acura • Alfa Romeo • Audi • Avanti •
Bentley • BMW • Buick • Cadillac •
Chevrolet • Chrysler • Daewoo •
Dodge • Eagle • Ford • Geo • GMC •
Honda • Hummer • Hyundai • Infiniti •
Isuzu • Jaguar • Jeep • Kia •
Land Rover • Lexus • Lincoln • Lotus •
Mazda • Mercedes-Benz® • Mercury •
Mini • Mitsubishi • Nissan •
Oldsmobile • Peugeot • Plymouth •
Pontiac • Porsche® • Saab • Saturn •
Scion • Smart • Subaru • Suzuki •
Toyota • Volkswagen • Volvo •
And More!



MERCEDES-BENZ® C-CLASS



HONDA CRV



NISSAN ARMADA





This mat was specifically
trimmed for this application

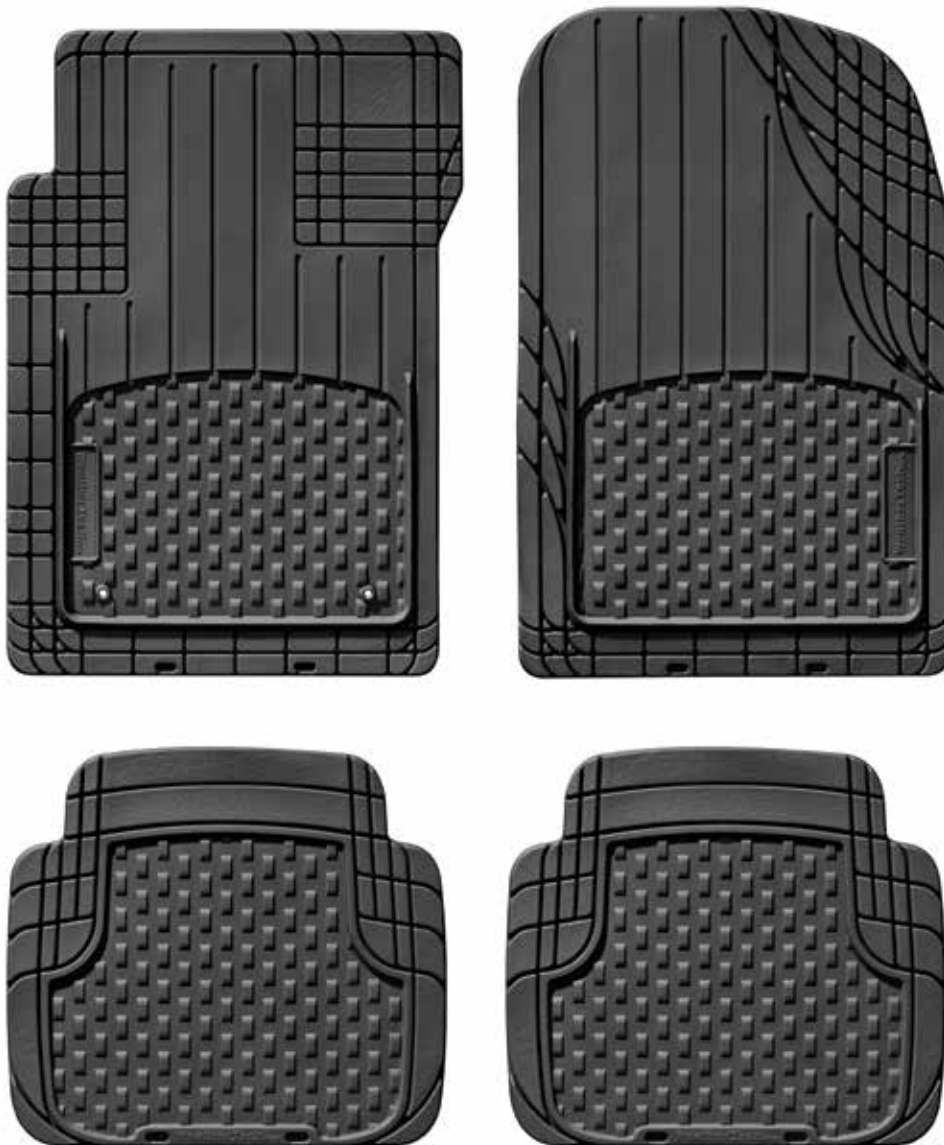
ALL-VEHICLE MATS

WeatherTech[®]AVM[®]

The WeatherTech[®] All-Vehicle Mat is the refinement of the most technologically advanced universal-type mat ever created. Our product planners tested patterns for every conceivable make and model of current popular vehicles to determine the best combination of ideal fit and score lines that allow for a truly custom-like fit, while maintaining the desirable attributes that our customers have come to expect from a WeatherTech[®] product.

AVM[®] has tall outer ridges and channels to help guide fluids to the lower half of the mat then a deep containment reservoir traps fluids and debris - away from your feet and clothes. AVM[®] is made from an advanced rubber compound that stays flexible in the coldest of temperatures and has unique retention nibs that add security to the mat-to-floor interface - coupled with the patented MatGrip[®] retention device.

These features, combined with our commitment to the environment and sustainable design, led to the development of our advanced rubber compound that is an OEM approved, virtually odorless material that contains no harmful PVCs, cadmium, or lead and is 100% recyclable! Available in Black, Tan or Grey.



Set of Four



Rear AVM[®]

Textured Surface

Tan, Grey, Black



CARGO LINERS

WeatherTech® Cargo Liners provide complete trunk and cargo area protection. Our Cargo Liners are digitally designed to fit your vehicle and have a raised lip to keep spills, dirt and grease off your vehicle's interior, protecting your investment from normal wear and tear.

Made from a proprietary custom blended TPO that is not only wear resistant, but also remains flexible under temperature extremes. The WeatherTech® Cargo Liners feature a textured finish which helps to keep cargo from shifting, and is perfect for hauling just about anything from gardening supplies to construction materials to the family pet.



Protect your interior carpet with the WeatherTech® Cargo Liners. Quality built in America, WeatherTech® Cargo Liners meet FMVSS302 standards. Choose from Black, Tan or Grey to complement virtually any interior color. Available for car trunks, minivans and SUVs.





CARGO LINERS FOR CARS, SUVS AND MINIVANS

AVAILABLE FOR

Acura • Alfa Romeo • Audi • Avanti •
Bentley • BMW • Buick • Cadillac •
Chevrolet • Chrysler • Daewoo •
Dodge • Eagle • Ford • Geo • GMC •
Honda • Hummer • Hyundai • Infiniti •
Isuzu • Jaguar • Jeep • Kia •
Land Rover • Lexus • Lincoln • Lotus •
Mazda • Mercedes-Benz® • Mercury •
Mini • Mitsubishi • Nissan •
Oldsmobile • Peugeot • Plymouth •
Pontiac • Porsche® • Saab • Saturn •
Scion • Smart • Subaru • Suzuki •
Toyota • Volkswagen • Volvo •
And More!



TOYOTA RAV4



NISSAN ROGUE



HONDA CROSSTOUR





AVM[®] UNIVERSAL CARGO MATS

Universal Protection, protect your investment from normal wear and tear. Intelligent design, combined with trim lines allow for a truly custom fit. Tall outer ridges and channels contain and keep fluid away from vehicle's interior. Soft flexible rubber compound won't curl, crack or harden even in sub-zero temperatures. Textured finished and raised areas help prevent cargo from shifting. Perfect for hauling just about anything from gardening supplies to construction materials to the family pet.

Containment Reservoir



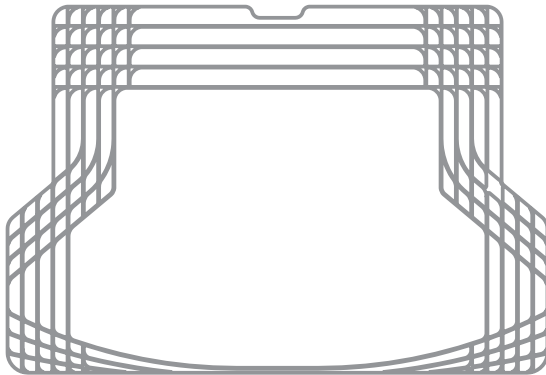
Trim-To-Fit™



Maintains Flexibility



Trim-To-Fit™ Length from
27½" - 36"



Trim-To-Fit™ Width from
41" - 53"

These features, combined with our commitment to the environment and sustainable design, led to the development of our advanced rubber compound that is an OEM approved, virtually odorless material that contains no harmful PVCs, cadmium, or lead and is 100% recyclable! Available in Black, Tan and Grey.





TECHLINER™

WeatherTech® TechLiner™ is the easiest to install, custom-fit solution for protecting and preserving pick-up truck beds – PERIOD! TechLiner™ armors your investment against scratches, dents, paint damage and rust by seamlessly lining the truck bed and tailgate. The liners “soft touch” material also helps prevent cargo from shifting yet provides ease to loading/unloading.



TechLiner™ and Tailgate shown



- Easiest to install pick-up bed protection – PERIOD!
- Fits to the exact contours of application
- No-messy sprays or drilling needed
- 100% recyclable, odorless material
- Flexible and durable
- Chemical and UV resistant

Made from a 100% recyclable and odorless thermoplastic elastomer, TechLiner™ is durable, flexible and UV resistant. Custom-fit for each application, the liner securely fits the exact contours of the truck bed. Will not crack, break or warp in even extreme temperatures.

For those that insist on the protection that a high-sided rigid liner offers, the TechLiner™ can be placed underneath the rigid liner to provide additional protection against paint damage. It is also ideal for users of truck caps, and hunters that carry pets. Installation takes only minutes, without the need for drilling or use of chemical applications. TechLiner™ is secured to the truck bed with the use of Velcro® discs that allow for an effortless fit and the ability to remove the liner if necessary.



SIDE WINDOW DEFLECTORS

WeatherTech® Side Window Deflectors offer fresh air enjoyment with an original equipment look. They are crafted from the finest 3mm lightly-tinted acrylic material available.

Installation is quick and easy, with no exterior tape needed. WeatherTech® Side Window Deflectors are precision-machined to perfectly fit your vehicle. These low profile window deflectors help to reduce wind noise and allow interior heat to escape. Our light tinted Side Window Deflectors are the only deflectors in the world made with a D.O.T. approved (U.S. Department of Transportation) glazing material.



Sleek, Low Profile Design



Light and Dark Tint



Precision-Machined Flange



SIDE WINDOW DEFLECTORS FOR CARS, TRUCKS, SUVS AND MINIVANS

AVAILABLE FOR

Acura • Alfa Romeo • Audi • Avanti •
Bentley • BMW • Buick • Cadillac •
Chevrolet • Chrysler • Daewoo •
Dodge • Eagle • Ford • Geo • GMC •
Honda • Hummer • Hyundai • Infiniti •
Isuzu • Jaguar • Jeep • Kia •
Land Rover • Lexus • Lincoln • Lotus •
Mazda • Mercedes-Benz® • Mercury •
Mini • Mitsubishi • Nissan •
Oldsmobile • Peugeot • Plymouth •
Pontiac • Porsche® • Saab • Saturn •
Scion • Smart • Subaru • Suzuki •
Toyota • Volkswagen • Volvo •
And More!



TOYOTA PRIUS



SATURN OUTLOOK



LEXUS ES300





SUNROOF WIND DEFLECTORS

The WeatherTech® Sunroof Wind Deflector gives you excellent reduction of in-cabin wind noise and air turbulence! It is crafted from the finest 4mm thick, tinted cast acrylic. Our sunroof deflector fits the sunroof opening precisely, and is held securely in place with the MagiClip™ vehicle specific fastening system. To protect your vehicle's finish, the unique AirCushion™ gasket seals the edge of the deflector. WeatherTech® Sunroof Wind Deflector's sleek and sophisticated look is a great addition to any vehicle.



Vehicle Specific Design



AirCushion™ Gasket



MagiClip™ Fastening System



STONE & BUG DEFLECTORS

Sleek and low profile, the WeatherTech® Easy-On® Stone & Bug Deflector is aerodynamically designed to provide excellent protection against stone chips and bug stains.

Made from aerospace-grade acrylic, it is virtually indestructible and extremely scratch resistant. Attaches easily to most SUVs, trucks, minivans or cars using either a 3M®-brand automotive adhesive tape, or fasteners that use existing holes in the vehicle's hood. No drilling is required. A beautiful and protective addition to any vehicle.



Sleek and Low Profile



Aerodynamical Design





GMC

WeatherTech
Automotive Accessories



Perfect
DigitalFit®



Mounts-in-Minutes™

NO-DRILL MUDFLAPS

From the creators of the revolutionary FloorLiner™ comes the most startling advancement in exterior protection available today. Featuring a QuickTurn™ hardened Stainless Steel fastening system.

The WeatherTech® No-Drill MudFlap set literally “mounts-in-minutes™” in most applications without the need for wheel/tire removal, and most importantly without the need for drilling into the vehicle’s fragile painted metal surface! Contoured specifically for each application and molded from a proprietary thermoplastic resin.

The WeatherTech® No-Drill MudFlap provides protection for your vehicles most vulnerable rust area. No-Drill MudFlaps protect the fender and rocker panel from stone chips, slush, dirt and debris.



QuickTurn™ Detail



Engineered Specifically for Each Application



Installs Without Wheel/Tire Removal



NO-DRILL MUDFLAPS FOR TRUCKS

AVAILABLE FOR

Cadillac • Chevrolet • Dodge • Ford •
GMC • And More to Come!



DODGE RAM



CHEVROLET SILVERADO



FORD F150





Build your own pattern

TechFloor™

Available in a variety of colors, borders available only in black



TechFloor™

Easily Assembled by Hand!

WeatherTech® TF™ (TechFloor™) is the first modular floor tile system to offer TWO distinctly different materials molded into ONE tile.

Our revolutionary TwoShot™ process (patent pending) produces an extremely rugged and low profile (slightly over ¼") durable plastic tile with attractive raised TractionSquares™ for wet-or-dry non-slip use. Soft touch underside offers incredible grip to virtually any floor.

Available in 6 tile sizes and 5 border options to allow fast wall-to-wall installation, typically without the need to cut or trim.

Easily assembled and disassembled by hand using a snap together loop & tab system (patent pending). No professional installation or special tools required!

Multi-Use

Designed to withstand the daily wear and tear of virtually any floor:

- Garage
- Shop
- Deck/Patio
- Mud Room
- Porch
- Pool Area
- Basement
- Race Track
- Laundry Room
- Kids' Play Area
- Workout Room
- Trade Show

TechFloor™ Tile System Components

Floor Tiles	Trim Tiles	Borders	Border Corners
12" X 12"	¾" X 12"	2" X 3" with tabs	Inside Tab-Tab
6" X 6"	1½" X 12"	2" X 6" with tabs	Inside Tab-Loop
3" X 3"		2" X 12" with tabs	Inside Loop-Loop
3" X 12" Left Loop		2" X 3" with loops	Inside Loop-Tab
3" X 12" Right Loop		2" X 6" with loops	2" X 2" Border Corner
		2" X 12" with loops	



Tiles are available in a variety of colors, borders available only in black. Use a single color or create custom patterns by using multiple color and border options.



BILLET ALUMINUM PLATE FRAMES

Introducing the WeatherTech® solid billet aluminum License Plate Frame. We make no excuses for the price, but there are also no excuses for the superb American crafted quality either. This is a solid billet license plate frame for car collectors or for true car enthusiast only.

Today, they are made one at a time right in the WeatherTech® tooling facility in Downers Grove Illinois. Furthermore they are made on an American made CNC milling machine and the machining time approaches two hours which includes real 3D machining. Even the cutters used to shape the metal are American made.

None of this is inexpensive and therefore the price is what it is as our American Machinist's receive fair American wages, they are made on American made CNC machinery using American raw materials with American made cutters, and we use American sourced finishing of the Billet Aluminum.

If you want the finest billet License Plate Frame on the planet and you want one made right here in America, look no further as you have found it at WeatherTech®. Available in four bullet proof anodized finishes; Clear Bright Silver, Red, Black and Titanium. Handmade in extremely small batches, order yours today.



High quality stainless steel universal fastener kit





LICENSE PLATE COVERS



ClearCover®

The WeatherTech® ClearCover® license plate cover is made from the virtually indestructible UV-stable Lupillon 3000. The one piece lens and gasket design allows for easy installation. The Multi-Flex™ gasket seals moisture out, and a stepped lip design fits the license plate snugly. The WeatherTech® ClearCover® has many colors to choose from, and will complement any vehicle. Available in white, brushed stainless, red, black and chrome.



ClearFrame™

The WeatherTech® ClearFrame™ license plate frame has all of the features of the ClearCover® in a frame. It is made from virtually indestructible UV-stable Lupillon 3000. The one piece frame and gasket design allows for easy installation. The Multi-Flex™ Gasket seats against plate snugly preventing vibration or rattling. The WeatherTech® ClearFrame™ has many styles to choose from, and will complement any vehicle. Available in white, brushed stainless, red, black and chrome.



PlateFrame™

The WeatherTech® PlateFrame™ features a solid one-piece design and is made from ABS Natural Platable Grade Plastic. This specific grade of ABS thermoplastic material is virtually indestructible, with optimum resistance to weathering. Available in Black.





CLEARCOVER®



CLEARFRAME™



PLATEFRAME™



AUTO DETAILING AND CLEANING PRODUCTS



NOW INTRODUCING

WeatherTech® TechCare™ is a complete line of automotive care and cleaning products. Developed with dedication to sustainability and superior care, TechCare™ products are made from only the highest quality of ingredients and advanced formulas. The TechCare™ line of care products provide the ultimate clean and professional finish expected of the WeatherTech® name.



FLOORLINER™ & FLOORMAT CLEANER

- Removes scuff marks and stains
- Lifts sand and dirt for easy removal
- Dissolves grease and oil stains



INTERIOR GLASS CLEANER with Anti-Fog

- Specifically for automotive interiors
- Prevents fogging from temperature variations
- Does not leave streaks or film



CARNAUBA GEL WAX

- Provides a durable, high gloss finish
- Helps to remove minor blemishes
- Made from 100% Carnauba



FLOORLINER™ & FLOORMAT PROTECTOR

- Helps to prevent staining
- Slip resistant finish
- Creates long-lasting, "Like New" appearance



ACID-FREE WHEEL CLEANER

- Acid-free, biodegradable formula
- For virtually all wheel types
- Removes road grime and brake dust on contact



QUIKTECH™ DETAILER with Carnauba Wax

- Easy on and off application
- Enhances appearance of automotive, motorcycle, watercraft and aircraft finishes



INTERIOR DETAILER

- Cleans and protects interior surfaces
- Matte Finish
- Guards against UVA and UVB



GENTLE CAR™ SHAMPOO

- Non-corrosive
- Highly concentrated
- Safe for virtually all paint finishes



EXTERIOR GLASS CLEANER with Repel

- Non-streaking, ammonia-free
- Removes bugs, dirt and debris
- Adds water repellency



LEATHER CONDITIONER with Aloe Vera

- Matte Finish
- Contains Aloe Vera for moisturizing and enhancing
- Guards against UVA and UVB
- Contains spot & stain blocker



TIRE GLOSS with Cross-Link Action™

- Promotes Cross-Link Action™ with rubber for a stronger bond
- High gloss appearance
- Easy, spray on and walk away



CARPET CLEANER with SpotTech™

- Stain repellent and remover
- Contains wetting agent to loosen dirt and oil stains
- Enhances anti-staining properties



WAX-PREP CLAY GEL CLEANER

- Pre-cleaner that preps surface for waxing
- Removes imbedded impurities in finish
- Provides a glossy & smooth finish



RACKSACK®



The WeatherTech® RackSack® expands your cargo carrying capacity a whopping 13 cubic feet and measures 39" x 32" x 18". It's made of heavy-duty 1800 Denier Oxford fabric that is tear resistant and water repellent. The RackSack® also stows away neatly in its own bag.

Features include swivel straps that mount to the crossbar or side rails of an existing roof rack, patented Roll and Wrap™ tabs to prevent flapping straps, ITW Nexus™ Connectors and a soft felt bottom to protect your vehicle's finish from scratching.



Quick Release Connectors



Swivel Strap



2-Way Zipper

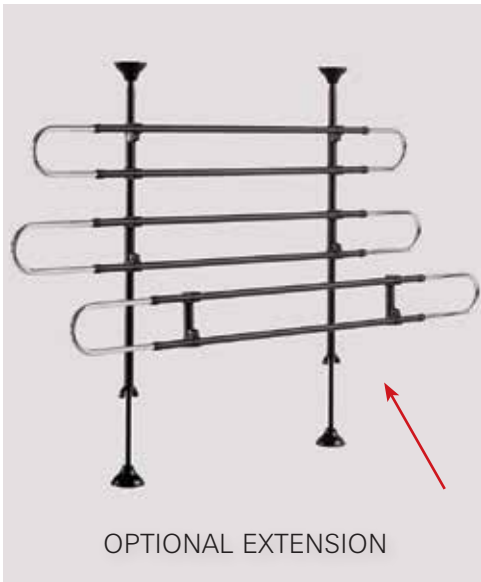


Roll and Wrap™ Strap

PET BARRIER

Keep those paws and claws off the upholstery. The WeatherTech® Pet Barrier is adjustable, expandable and keeps pets safely in the rear of your vehicle.

The heavy-duty $\frac{5}{8}$ " diameter telescopic tubing installs easily without tools or drilling. The barrier adjusts vertically and horizontally to suit any vehicle and any pet. "No-Mar" rubber coated components protect your interior and ensure a rattle-free installation. An optional extension is available for minivans, or vehicles with folding seats.



Tubing Size	$\frac{1}{2}$ ", $\frac{5}{8}$ " & $\frac{3}{4}$ " Steel
Total Weight	7.3 lbs.
Max Height	42" (w/out extension) 51" (w/extension)
Max Width	66"

WeatherTech® BatteryCharger

The WeatherTech® BatteryCharger is simply the best charger made for the long term maintenance of your vehicle's battery. Exclusively designed for keeping your battery in prime condition while vehicle is not in use.

The perfect solution for your collector car, seasonal vehicle, or special vehicle. The WeatherTech® BatteryCharger monitors your battery's condition and only when necessary, uses a 4-Step charging method to keep your battery in tip-top shape! Can be connected for months.

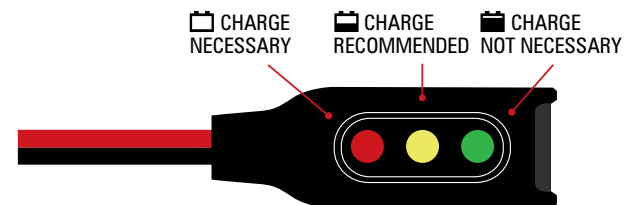


Weather-Proof Connector for quick hook-ups (included)



WeatherTech® BatteryCharge Indicator

The WeatherTech® BatteryCharge Indicator is an optional permanent connection to your battery. While connected it will light up, indicating if a charge is necessary, if so the WeatherTech® BatteryCharger will plug right in.



Keep the Sun and Heat Out



TechShade®

Perfect for any season, the WeatherTech® TechShade® can warm or cool your vehicle. Reflective film chases the sun away in summer. Then, the reverse side absorbs the heat for those cold winter months. The unique patented suction cups aid in installation to secure the placement of the TechShade®. When not in use the TechShade® is easily removed, rolled and use the Velcro® to securely close. The TechShade® is custom fit for each vehicle.



Reverse side shown



Secure Placement



Easy Storage



NEW PRODUCTS



WEATHERTECH® RACING T-SHIRTS

Designed to show pride for American Made products and racing.

WeatherTech® Racing Gear is available in 5 t-shirt designs, long and short-sleeve options.

Available in Adult S-XXL (Child sizes available where noted).



Long-Sleeved Option



Short-Sleeved Option

CAR COVER



WeatherTech® Custom-Fit Car Covers come in two varieties – Outdoor with 3 color options and Indoor with 6 color options. These high quality covers are custom-fit to the make/model of your vehicle and are crafted from high quality, durable materials that mold to the contours of your car.

GIFT BAG



Make the perfect gift even better with this worry-free wrapping, a gift bag exclusively made to fit around the WeatherTech® FloorLiner™ boxes. Made from high quality materials, it is re-usable for unlimited other uses.

LampGard®

Protect your lights with the WeatherTech® LampGard®. Designed to specifically fit vehicle headlamps, fog lamps and turn indicators. Each LampGard® is computer die-cut to fit specific vehicles.

Made from an optically clear urethane, the LampGard® protects your lights from cracking, scratching and pitting. Easy to follow instructions.

PROTECT YOUR
LIGHTS

